

AUSTROFLAMM

WEGA Pellet stove

Manual
for Installation
and Operation

Mountain View Hearth Products
manuals.stove-parts-unlimited.com



TABLE OF CONTENTS

DESCRIPTION	PAGES
Safety Precautions	4
Safety Testing	4
Pellets	6
Starting Instructions and Control Functions	6
Operation Instructions	7
A. How to start the stove	7
B. Automatic Safety Features	8
C. How to turn off the stove	8
D. Thermostat Installation	8
Routine Maintenance	9
Stove Installation	11
A. Design Guideling for Exhaust Installation	11
B. Design Guidelines for outside air connection	13
Floor Protection	13
Clearances To Combustibles	14
Stove Installation Configurations	14
Mobile Home Installation	14
Freestanding Stove Installation Configurations	15
A. Installation Diagrams for Horizontal Vent	17
B. Installation Diagrams for Vertical Vent	18
Control Panel Installation	20
WEGA Troubleshooting Guide	21
WARRANTY	22

... (mobile home) DO not install appliance in a sleeping room. The structural integrity of the mobile home floor, walls and ceiling/roof must be maintained.

Serial No.: _____
Model: WEGA PELLET
Tested to: UL 1482/391. UM 84 HUD.
A.P.F.I 3/7/88, Oregon 814.23.900
Test date: 7-31-90
Report No.: SS 209-7
Type of fuel: Approved Pellet Fuel
Danger: Risk of electrical shock
Disconnect power before servicing unit. Do not route power cord beneath heater.

PELLETS

Important: Please read

The Austroflamm "WEGA" Pellet Stove has been designed to burn wood pellets only. Dirty fuel will adversely affect the performance of the stove.

Caution: The use of dirty or wet fuel may void the warranty !!!

Only wood pellets manufactured to the A.P.F.I.* standard for residential pellet fuels are recommended for use with the Austroflamm "WEGA" pellet stove. Look for the A.P.F.I registration number on the bag of fuel to ensure compliance with the standard.

Contact your dealer for more information on A.P.F.I. approved wood pellet fuels.

The A.P.F.I. standard for residential pellet fuel is as follows:

HEAT CONTENT:	8200 BTU/lb minimum
BULK DENSITY:	40 Lb/cubic foot minimum
MOISTURE CONTENT:	8% Maximum
ASH CONTENT:	1% Maximum
SIZE:	1/4" to 3/8 diam., 1.5" long Maximum
FINES:	1% Maximum through a 1/8th inch screen

Silica (or sand) in the fuel, along with other impurities, can cause clinkering. Clinkering is a function of the fuel, not the stove, but adversely affects the performance of the stove by blocking off the air holes in the grate. Even an A.P.F.I. approved pellet fuel may tend to clinker. A clinker can be removed from the burn grate and placed in the ash pan with the use of the grate scraper/ash pan tool, see page 7. The frequency of removal of the ash and maintenance performed on the stove is directly proportional to the ash content of the fuel. A stove burning fuel with 25% ash content may only need to be cleaned out once every 4 weeks. However, a stove burning a fuel with 1.0% ash content may need cleaning every 3 to 5 days.

Please note: Austroflamm/Rika Industries, has no control over the manufacturing of pellet fuel and will not be held responsible for poor stove performance or any damage caused by inferior pellet fuels.

*A.P.F.I. - Association of Pellet Fuel Industries

STARTING INSTRUCTION AND CONTROL FUNCTIONS

1. Start Switch:

The push-button START switch activates the convection blower and the combustion blower. If the exhaust does not get up to 140 degrees temperature within 30 mins., the stove will automatically shut down. The blowers can be

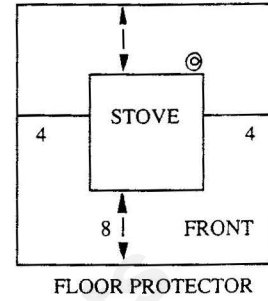
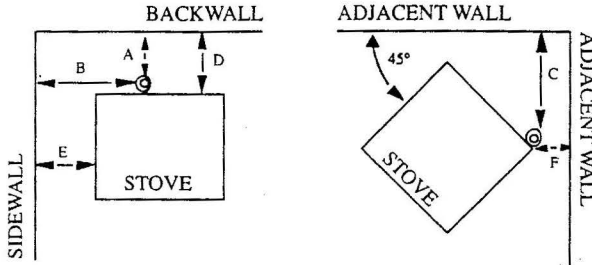
restarted by pushing the START switch 'on' again. Adjust the power control to minimum when starting the stove.

2. On/Off Switch:

The On/Off Switch activates the fuel feed motor only. The start switch has to be activated to give power to the On/Off

- 1. Floor protection:** a) Vertical pipe: 2' beyond pipe in rear.
 b) Horizontal through the wall pipe: floor protection clear to the wall
- 2. Single wall pipe:** Single wall pipe is unacceptable (unless it is used as a liner in an existing chimney).

- 3. Alcove wall:** Alcove wall height is seven feet.
4. Vent pipe: Use only listed Pellet Vent (pipe).



Floor protector must be 3/4" non-combustible material, extending beneath heater and to the front/sides/rear as indicated.

..... Minimum Clearness to Combustible Materials (in inches)

Installation	Clearance	Chimney & Connector	Dimensions					
			A	B	C	D	E	F
Residential/MH	Standard	Note: 1, 4	N/A	14	3	2	8	4
Residential/MH	Standard	Note: 2, 4	3	14	3	7.75	8	4
Alcove Res/MH	Standard	Note: 1, 3, 4	N/A	14	N/A	2	8	N/A
Alcove Res/MH	Standard	Note: 2, 3, 4	3	3	N/A	7.75	8	N/A

- Note 1: For rear vent horizontal wall exit.
 Note 2: For rear vent to vertical ceiling exit.
 Note 3: Alcove Dimensions 7" min. ht. x 44" min. width x 48" max. depth.
 Note 4: Diameter L-Vent Pellet pipe from exhaust fan to rain cap. (For mobile home, use only Dura-Vent Pellet Pipe as specified).

Manufacturer
 Date

DO NOT REMOVE THIS LABEL
 Made in Austria

For use with recommended pelletized fuel only see manual do not hand feed pellet fuel

File Name: B: WC - BK

Contact your local building or fire officials about restrictions and installation instructions in your area

Also suitable for Mobile Home installation Pursuant to (UM) 84.HUD Listed Room Heater SOLID FUEL TYPE

Tested & Beaverton
 Listed by OMNI Laboratory OR. USA

Manufactured by:
 AUSTROFLAMM/RIKA
 Metallwarengesellschaft m. b. H.
 Muellerviertel 20
 4563 Micheldorf/Austria

"Prevent house fire"

Install and use only in accordance with manufacturer's installation and operating instructions and your local building codes.

Caution: Special methods are required when passing chimney through a wall or ceiling; refer to local building codes. Do not connect this unit to a chimney flue serving another appliance.

SAFETY PRECAUTIONS

SAFETY NOTICE:

This stove must be properly installed in order to prevent the possibility of a house fire. For your safety, the installation instructions must be strictly adhered to. Contact your local building officials to obtain a permit and information on any installation restrictions and inspection requirements in your area.

This stove's exhaust system works with negative combustion chamber pressure and a slightly positive chimney pressure. Therefore, it is imperative that the exhaust system be airtight and installed correctly. Since AUSTROFLAMM/RIKA industries, grants no warranty, implied or stated for the installation or maintenance of your stove and assumes no responsibility for any consequential damages.

The Austroflamm "WEGA" Pellet Stove is designed and approved for the burning of pelletized, bio-mass fuel only. The burning of solid fuel in other than pellet form is not permitted. Failure to comply with this restriction will void all warranties and the safety listing of the stove.

Under correct operation, the Austroflamm "WEGA" pellet stove cannot be overfired. Continuous operation at a maximum burn can, however, shorten the life if the electrical components (blowers, motors and electronic controls) and is not recommended.

Gasoline or other flammable liquids must NEVER be used to start or "freshen up" the fire. Keep all such liquids well away from the stove at all times.

There may be some build-up of dust and smaller quantities of soot or creosote in the exhaust vent over the burn season. Although this will be minimal under correct operation, a precautionary inspection (and cleaning if needed) on a

regular basis is advisable.

Any ashes removed from the Austroflamm "WEGA" pellet stove must be deposited in a metal container with tightfitting lid. The closed container of ashes should be placed on a non-combustible surface pending final disposal.

The appliance is provided with an 7 foot, grounded electrical cord. This cord should be connected to a standard 110 volt, 60Hz electrical outlet. The approximate power requirement is 130 watts. The power supply cord must be routed to avoid contact with any of the hot or sharp exterior surface areas of the stove. In addition, all Austroflamm "WEGA" pellet stoves that are installed in a mobile home must be electrically grounded to the steel chassis of the home and bolted to the floor in compliance with a according to H.U.D. requirements.

Burning with insufficient combustion air will result in the formation of soot, which will be deposited in the flue, the heat exchanger, and when stove vents through-the-wall will stain the outside of the house. This is a hazardous situation in addition to being inefficient and wasteful use of pellets. Check your stove frequently, and adjust as required.

A smoke detector must be installed in the vicinity of this stove.

Pellet fuel is fed by an auger. This auger is driven by a high torque motor. The auger is capable of doing serious harm to fingers. Keep pellets in hopper at all times and keep fingers away from auger. Auger can start unexpectedly when stove is running.

SAFETY TESTING

Please note: Disconnect power before doing any routine maintenance.

The Austroflamm "WEGA" pellet stove has been independently tested and listed by Omni, Beaverton, OR., an accredited testing laboratory, in accordance with the specifications and procedures outlined in UL 1482 for solid fuel room heaters, stating requirements for installation as a freestanding room heater. The safety listing label is located on the back of the stove.

The appliance is designed specifically for use only with pelletized fuels. It is tested and listed for residential installation according to current national and local building codes as:

1. **Freestanding room heater.** See page 15
2. **A mobile home heater.** See page 14

Note: This stove is not intended for use in commercial installations.

The appliance must be connected to a listed Pellet Vent.

will stop and the blowers will continue to operate until the stove has cooled down sufficiently (up to 45 mins.); then the stove will automatically turn off.

3. Power Knob:

With the Power Knob the fuel feed, combustion motor and the convection fan is adjustable all in one. This grants most comfort for the user and long lifetime of all components.

THERMOSTAT: The thermostat option (thermostat control not provided with the stove) allows the stove to switch between a high heat setting ("DEMAND") and a low setting ("PILOT") at the command of the wall mounted thermostat. The thermostat should be a 110 volt AC system (see "General Guidelines for installing wall thermostat," page 8).

The "DEMAND" setting is controlled by the "POWER KNOB" selector switch. Position Minimum through Maximum can be used for the "DEMAND" setting depending on the heat output required of the stove. During the "PILOT" mode the stove automatically switches to position Minimum. The convection fan will automatically

switch to its minimum setting during the "PILOT" mode and will speed up to the manually preset speed in the "DEMAND" mode.

4. Auger 'ON' light:

The red light on the control panel indicates when there is power to the auger motor.

5. Air supply:

Air supply has to be "fine-tuned" after the stove is installed from your approved installer. The proper air settings will vary from stove to stove due to installation, altitude and fuel being burned. The basic air supply setting is #3. If your flame is smokey red/orange with evidence of soot at the top of the flame, you need to adjust air supply, between #3 and #5 until the flame begins to 'dance'. If the flame is 'short' at the higher burn rates or if the pellets are burning up in the grate before new pellets are fed into the fire, switch the air supply knob between #1 and #3.

Contact your nearest Austroflamm Dealer for more information if needed.

OPERATING INSTRUCTION

How to start the stove

1. Place a recommended fire starter (see your dealer for appropriate fire-starter in your area) in the burn grate and put a handful of pellets on top of the starter. **Do not use flammable liquids to start your stove.**
2. Light the firestarter in the grate with a match, wait 60 seconds and close the door.
3. Switch the "POWER KNOB" to minimum, by pressing the start switch, this will activate both blower.
4. After the pellets in the grate are burning sufficiently (red hot coals) adjust the "power control knob" to the desired setting. Push fuel switch to the on position will activate the auger motor, and pellets will begin to feed into the burn grate.
5. The air supply control should be set when the stove is installed. The flame should be yellowish in color and there should be no evidence of soot formation at the top of the flame in relation to the type of fuel been burned. **If you**

have any questions please contact your Austroflamm dealer.

Note: You should not usually need to adjust the air supply. If the flame becomes redish/orange, air supply should be adjust accorderly. If the condition continues your stove probably needs routine maintenance. Excessive amounts of fly-ash build-up or clinkers in the grate, this will starve the fire for air (see page 9) for more information on cleaning the stove).

The pellet feed system is designed to handle a wide range of pellet sizes. These different pellets can feed at considerably different rates. If the stove will not stay alight at the minimum fuel feed setting, reduce the combustion air by adjusting the air supply.

Note: You will notice a difference in the burn if you change pellet fuel sizes. **The bigger the pellet, the slower it will feed and vice versa.**

The stove may be safely operated on the continuous basis,

but it is recommended that it be turned down overnight or when the room is vacated for long periods of time.

A 40 lb. bag of pellets should last approximately 10 hours on high and 40 hours (or more) on low, depending on type of pellets.

A wall thermostat can be purchased from your dealer or your local home improvement center or hardware store.

AUTOMATIC SAFETY FEATURES

1. Power outage:

During a power outage, the stove will shut down safely. It will not automatically restart when the power returns. (see 'OPERATING INSTRUCTIONS', page 7, to relight the stove).

2. Overheating:

A high temperature switch will automatically shut down the stove if it overheats. The stove will need to be manually relit. Allow 45 minutes before relighting.

HOW TO TURN THE STOVE OFF

Turn the fuel switch to the "off" position. This will shut down the fuel feed only. The WEGA control board will continue to operate the combustion motor

until the stove has cooled down sufficiently.

This may take up to 50 minutes.

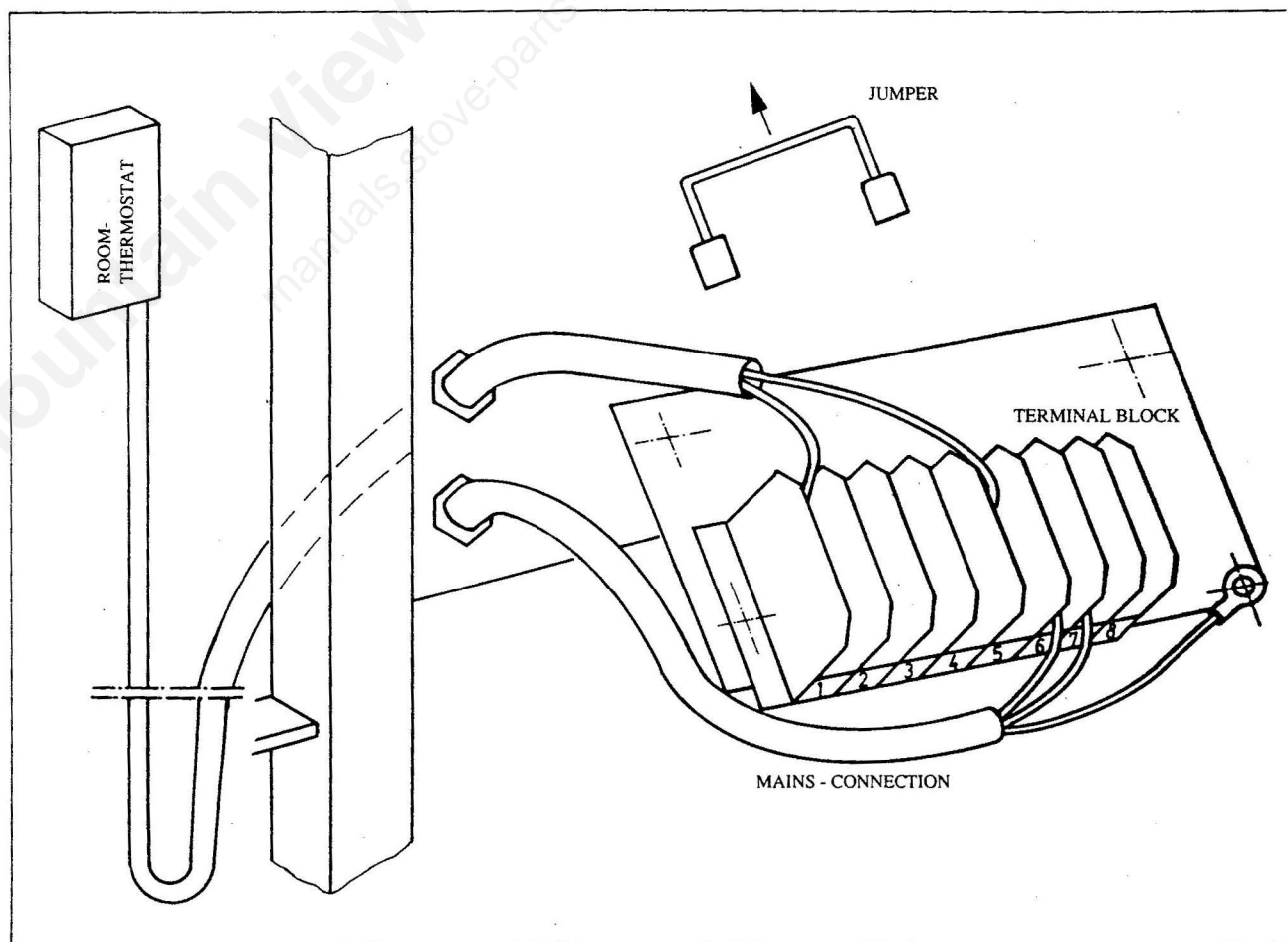
DO NOT UNPLUG THE STOVE DURING THIS TIME

THERMOSTAT INSTALLATION

General Guidelines for installing a wall thermostat:

The WEGA PELLET STOVE can be installed with, and operated by, a wall mounted thermostat. However, a wall thermostat is not supplied with the stove. A wall thermostat can be purchased from your dealer or at most home improvement centers or hardware stores. The wall thermostat should be a low voltage (24 volt DC) system. Most thermostats will have instructions with them as to where to place them in your room. Please follow the thermostat manufacturer's instructions carefully.

There are two male spade terminals on the terminal block Nr. 1 and 5 near the bottom. A jumper wire will be found in place across these terminals and must be in place for the stove to operate on MANUAL control. The jumper wire must be removed to connect the wall thermostat (see diagram below).



ROUTINE MAINTENANCE

The amount of fly ash build-up in your stove is directly proportional to the ash content of the fuel that you are using (see 'PELLETS', page 6). The frequency of cleaning and maintenance of your stove depends on the fuel you are using.

After a period of time (a week, or so) inspect the heat exchanger tubes, the fire pot, and the ash draw. You will want to gauge your routine maintenance accordingly.

THE FOLLOWING AREAS NEED TO BE INSPECTED WHEN DOING ROUTINE MAINTENANCE:

- a. Fire Pot
- b. Heat Exchanger Tube
- c. Ash Pan
- d. Door Rope Gasket
- e. Exhaust Vent

Note: Stove will need to be shut off and cooled enough to handle before routine maintenance is performed.

a. Fire Pot

The fire pot should be inspected periodically to assure that the air holes have not become clogged with ash or clinkers. The fire pot can easily be cleaned, or it can be removed from the combustion chamber for cleaning. The whole assembly should be removed periodically and emptied of ash.

Power failure:

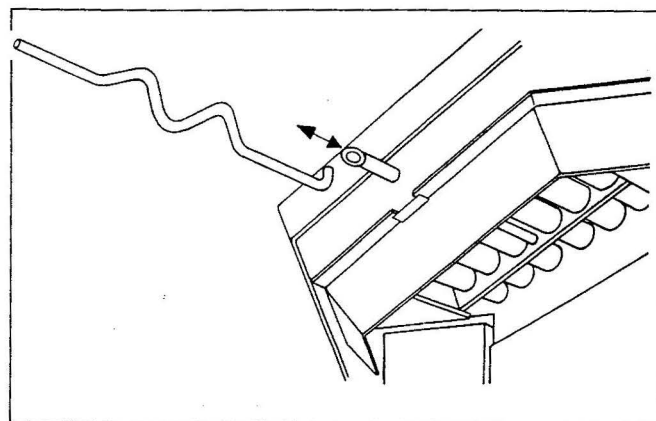
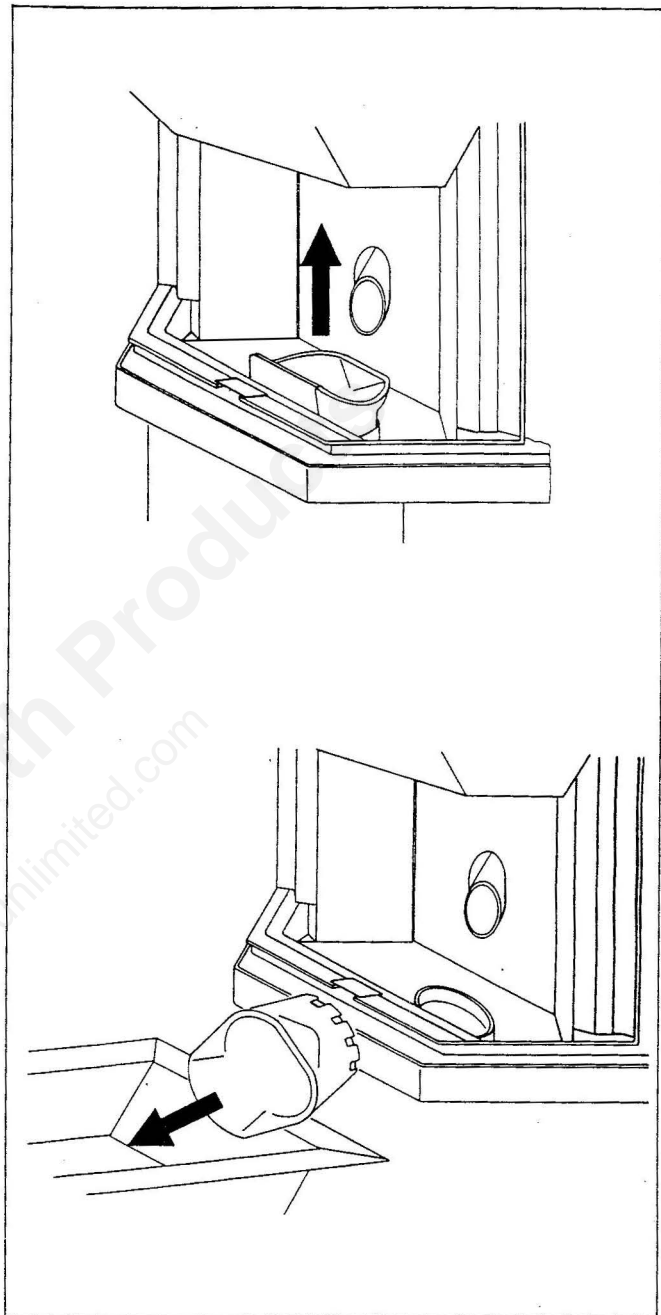
In the event of a power failure a small amount of smoke may leak from the top of the window glass, the hopper and from the combustion air intake (if this is not connected to the outside). This will not persist for more than 3 to 5 minutes and will not be a safety hazard.

DISCONNECT POWER BEFORE DOING ANY ROUTINE MAINTENANCE.

b. Stainless steel heat exchanger tubes:

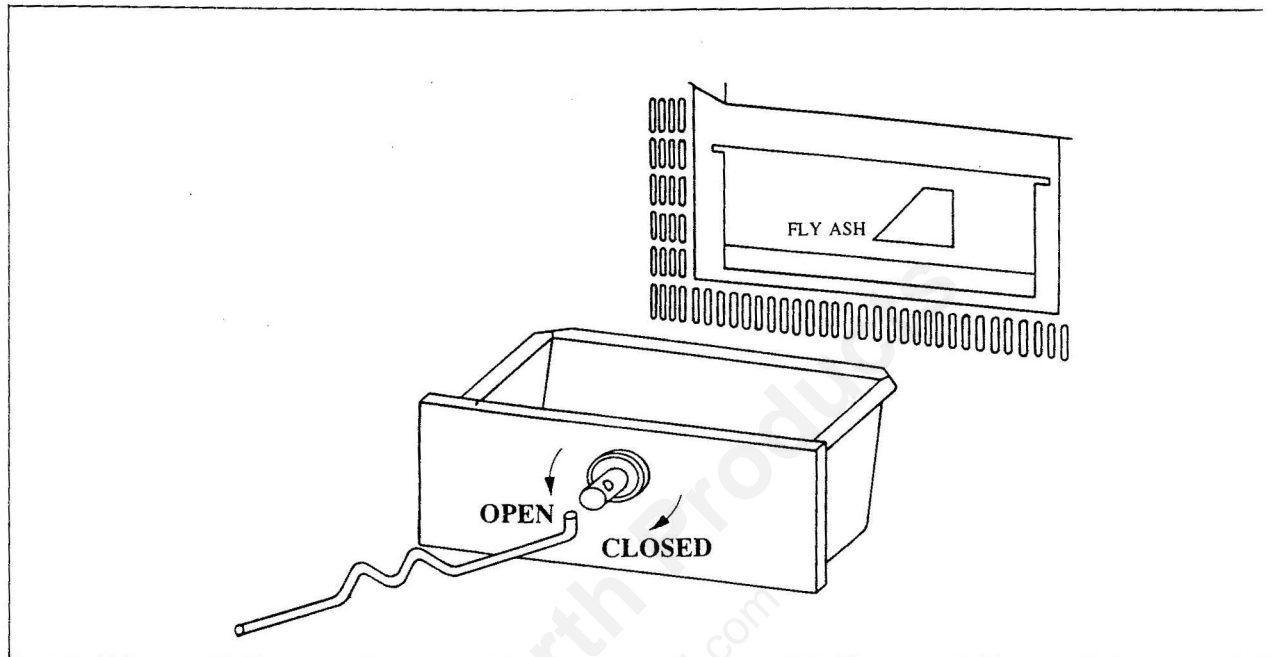
Directly above the combustion chamber door is a lever that is used for cleaning the heat exchanger tubes. By pulling this lever out (forward) and pushing it back in a few times, you will clean the fly ash off the heat exchanger tubes.

Keep the door closed during this operation! Lever may be hot (see diagram besides).



c. Ash pan

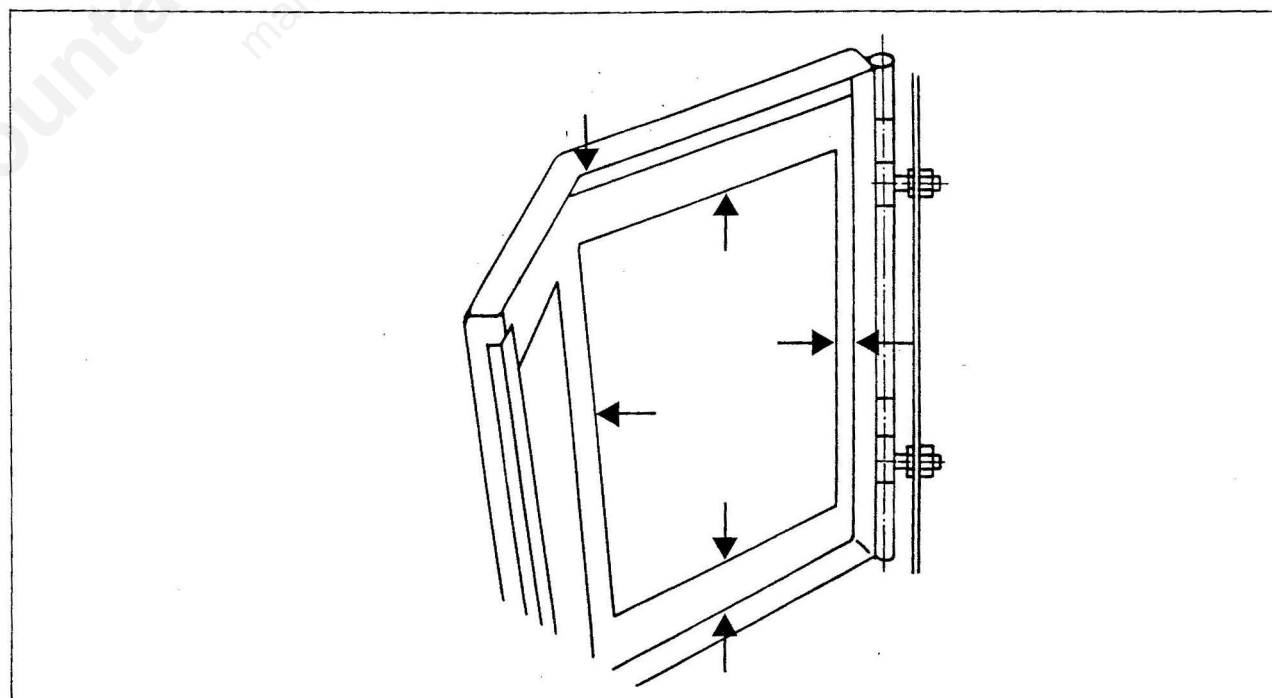
Ash pan will have to be emptied when necessary. To remove the ash pan, remove ash pan only when stove turn off. Remove the fly ash behind the ash pan (see diagram)



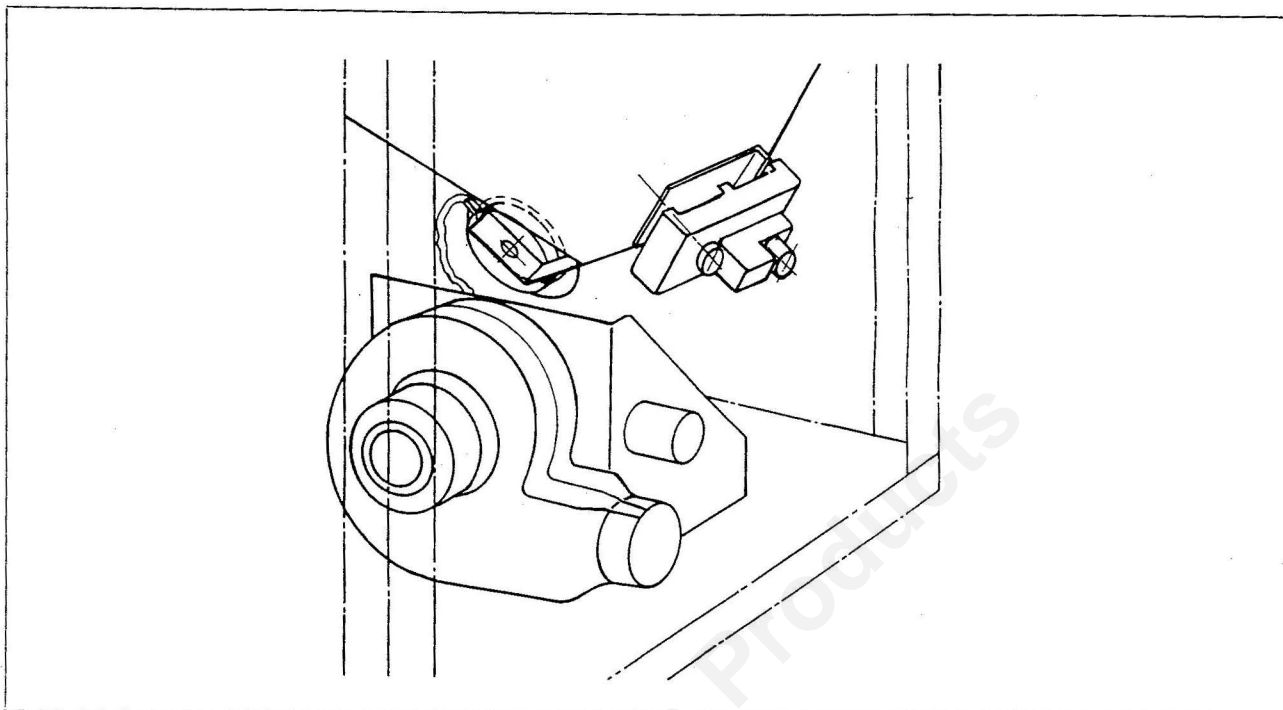
d. Door rope gasket

The condition of the rope gasket around the door and windows should be checked periodically and replaced or repaired if necessary.

DISCONNECT POWER BEFORE DOING ANY ROUTINE MAINTENANCE.



Inspect frequently and clean when necessary.



ALL MOTORS ARE A SEALED BALL-BEARING SYSTEM, NO LUBRICATION REQUIRED.

STOVE INSTALLATION

It is recommended that only an authorized dealer install your pellet stove.

The following installation guidelines must be followed to ensure conformity with both the safety listing of this stove and to local building codes.

DESIGN GUIDELINES FOR EXHAUST SYSTEM

A listed 3 or 4 inch type "PL" pellet vent exhaust system must be used for FREESTANDING installations and attached to the pipe connector provided on the back of the stove. Use a 3 or 4 inch adapter for 4 inch pipe.

The exit terminal must be located not less than 60 inches from any opening through which combustion products could enter the building (i.e. windows and doors) not less than 24 inches from an adjacent building and not less than 7 feet above grade when located adjacent to public walkways. It must be arranged so that flue gases are not directed

so as to jeopardize people, overheat combustible structures or enter the building. Keep brush, plants and shrubs at least 36" away from vent termination.

It is recommended that a single or double clean-out 'tee' should be installed at every 90 degree junction to enable collection of flyash and to permit periodic cleaning of the exhaust system (90 degree elbows accumulate fly ash and soot thereby reducing exhaust flow and performance of the stove).

Total length of horizontal vent must not exceed 30 ft.

The "PL" vent or single wall stainless exhaust system must be installed so as to be GAS TIGHT! The vent manufacturer's installation procedures must be followed. In addition, pipe connections, joints and all pipe seams within the home should be sealed with high temperature silicone sealer (RTV).

TO DETERMINE WHETHER A 3 INCH OR 4 INCH EXHAUST SYSTEM WILL BE USED, FOLLOW THE GUIDELINES BELOW

Determine equivalent length of exhaust vent in feet for proposed installation.

- Horizontal Straight Pipe = 1 x actual length Ft.
- Vertical Straight Pipe = 0.5 x actual length Ft.
- 90 Degree Elbow or Tee = 5 Ft.
- 45 Degree Elbow = 3 Ft.

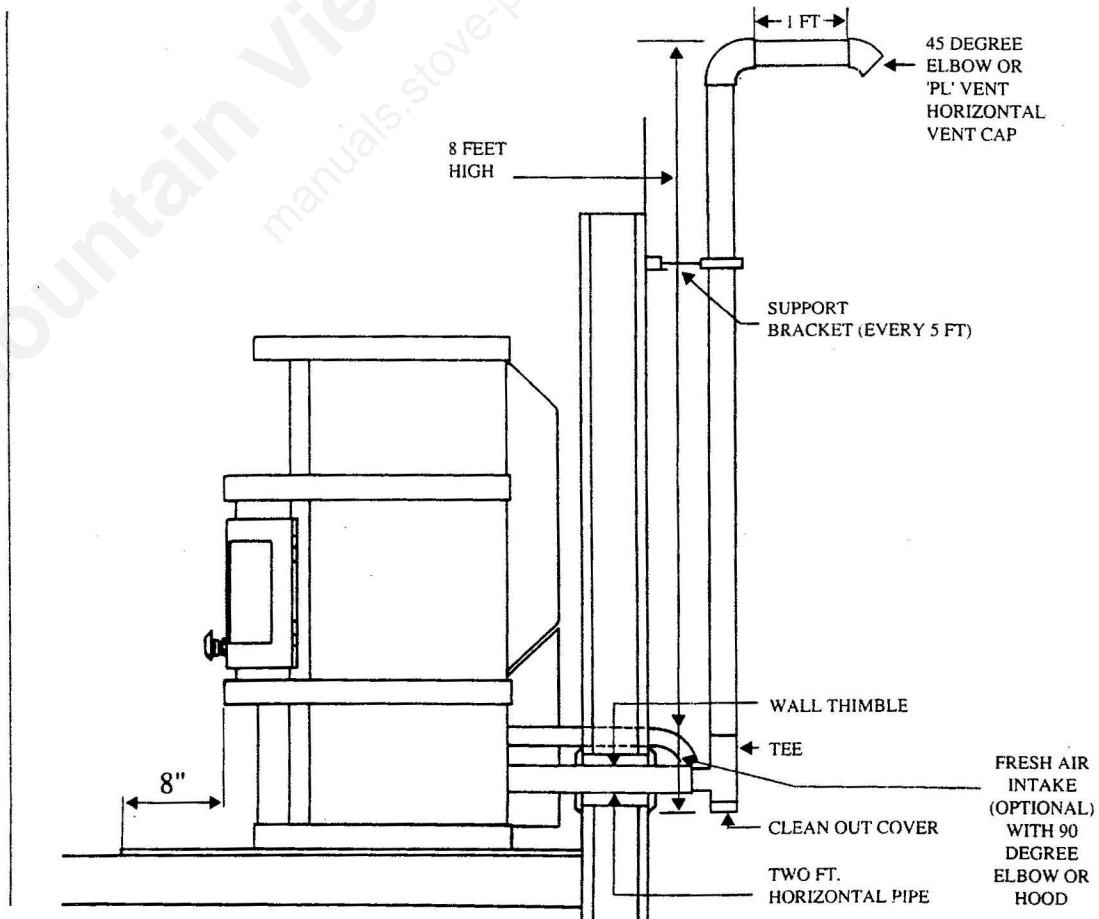
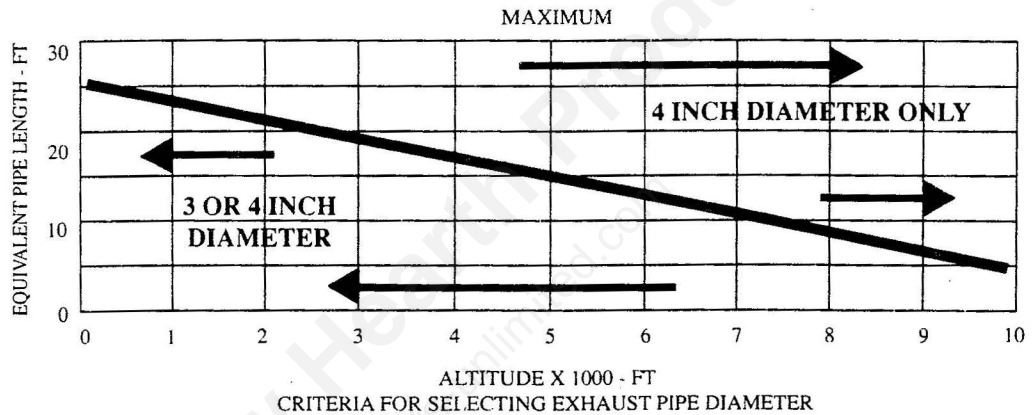
Determine whether 3 or 4 inch pipe is necessary based on

equivalent pipe length calculated above and altitude of installation, using diagram below.

Equivalent pipe length

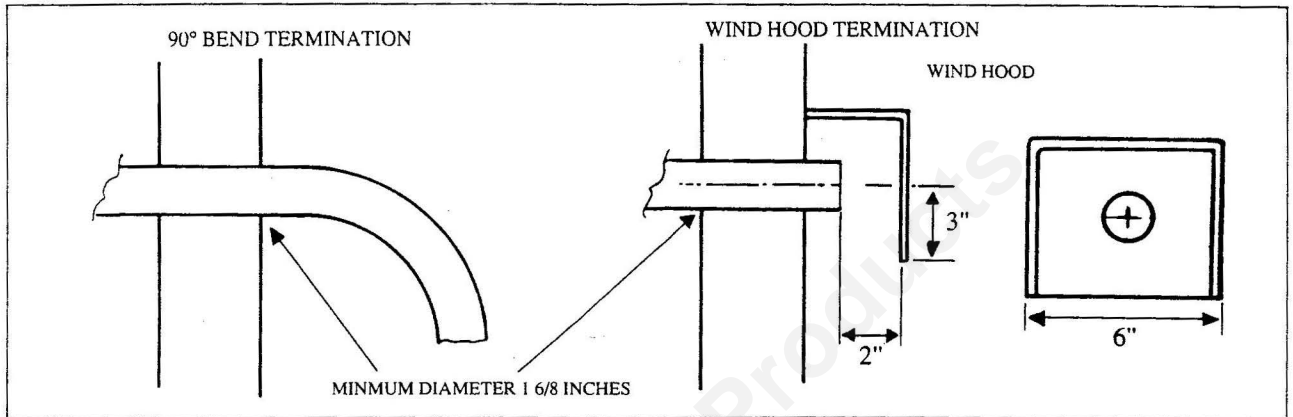
- a) Horizontal Pipe = 1 x (2+1) = 3 Ft.
- b) Vertical Pipe = 0.5 x 8 = 4 Ft.
- c) 90 Degree Tee = 2 x 5 = 10 Ft.
- d) 45 Degree Elbow = 1 x 3 = 3 Ft.

In example, if stove is installed above 2500 Ft. altitude, 4 in. diameter exhaust vent is necessary. Below 2500 Ft. altitude, 3 in. or 4 in. diameter exhaust vent is suitable.



DESIGN GUIDELINE FOR OUTSIDE COMBUSTION AIR CONNECTION

1. For FREESTANDING installations with horizontal through-the-wall exhaust, it is recommended, but not required, that the stove be connected to the outside.



2. Connection to outside the house is **REQUIRED** for mobile home installations.

3. Only steel pipe 1 5/8 inches inside diameter is approved to use for outside air connection (straight or flexible). PVC pipe or aluminium pipe is **NOT** approved, and should never be used.

4. If the air inlet is connected to the outside, it **MUST** be terminated with a vertical 90 degree bend (down) or with

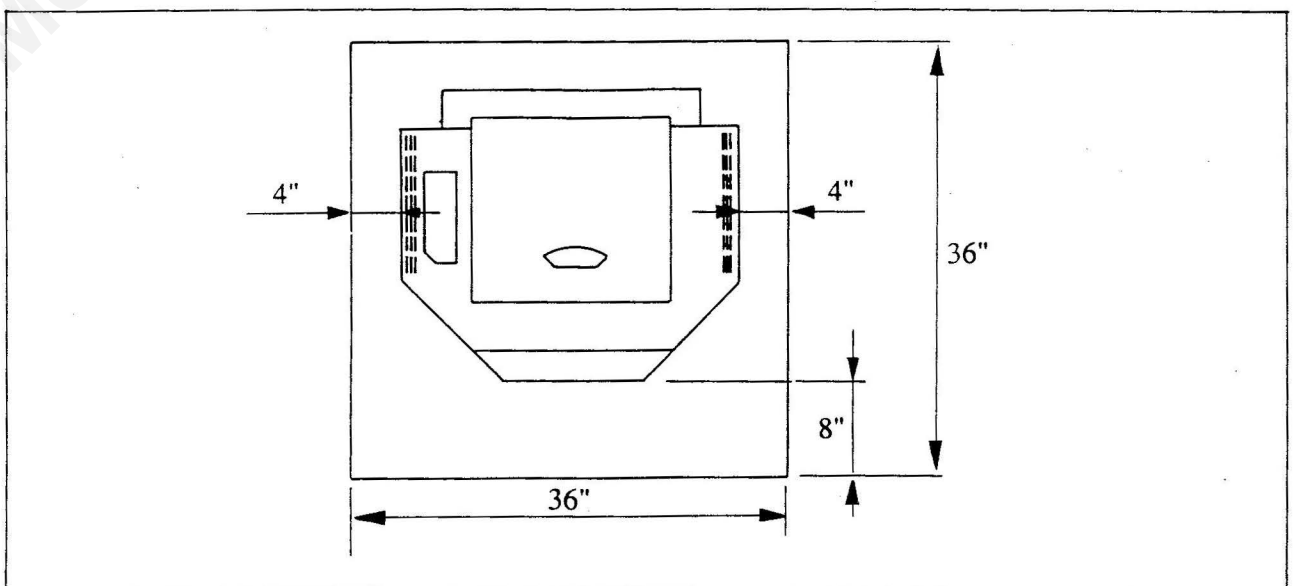
a wind hood. Failure to do so could result in a 'burn back' during high winds blowing directly up the air inlet during a simultaneous power failure.

5. Blockage, excessive length, or bends in the air intake pipe will starve the stove of combustion air. A 90 degree bend is equivalent in restriction to approximately 30 inches of straight inlet pipe.

FLOOR PROTECTION

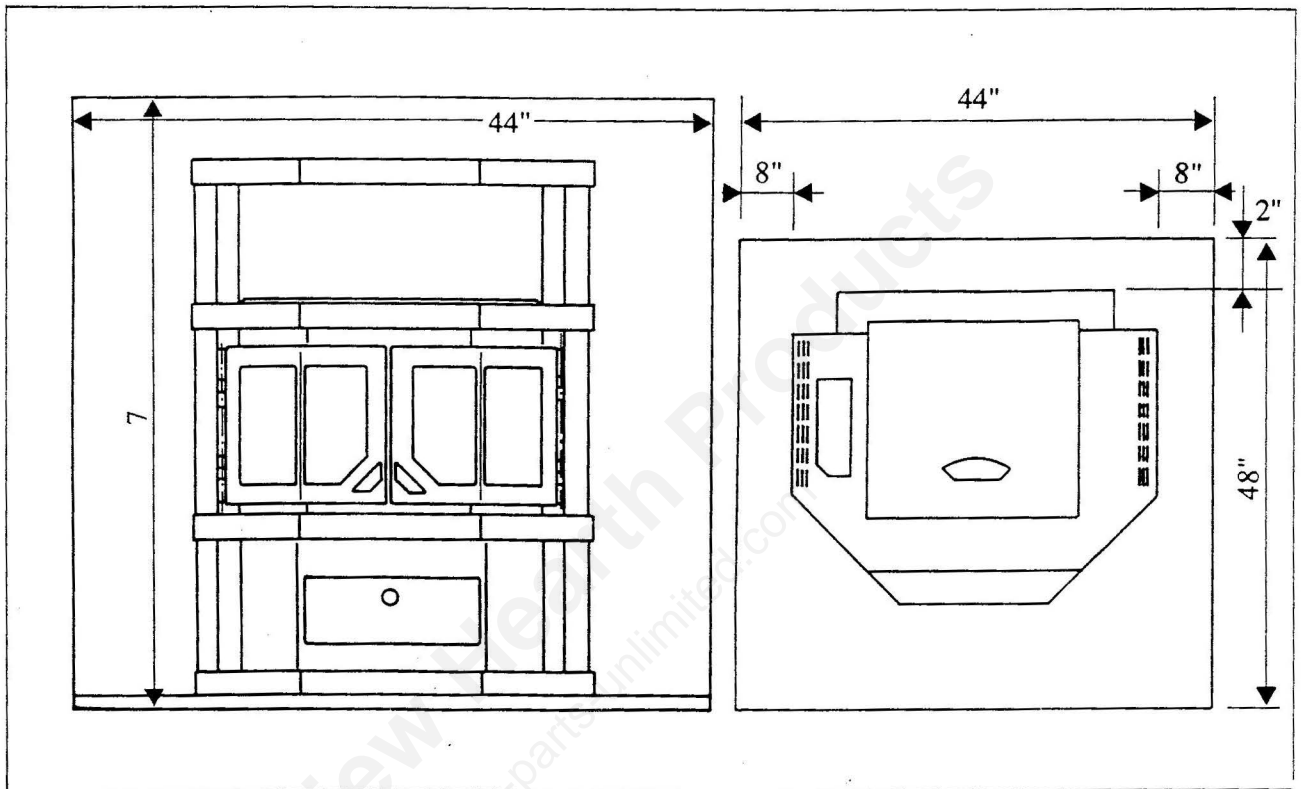
The Austroflamm "WEGA" pellet stove must be installed on a non-combustible protective floor pad of minimum 3/4 inch thickness material or a masonry hearth. The hearth or floor pad must extend a minimum of 8 inches in

front of and from each side of the stove (and behind in a freestand /vertical install configuration) or to the nearest permitted combustible material (If less than 8 in.).



The stove must be installed with the following minimum clearances to side and back wall combustible materials:

Note: The above side & top clearances are to be used when installing the Austroflamm "WEGA" pellet stove into an alcove



STOVE INSTALLATION CONFIGURATIONS

The Austroflamm "WEGA" pellet stove may be installed as:

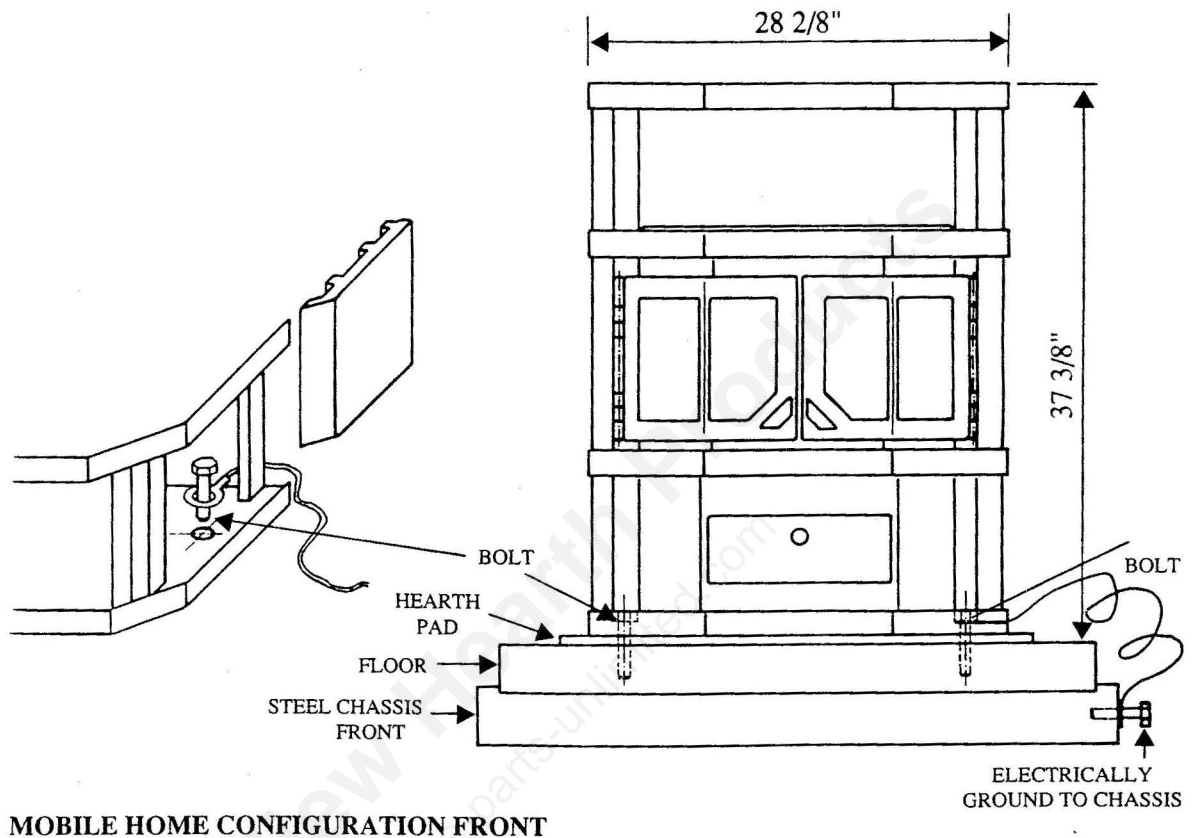
1. A freestanding unit mounted on a noncombustible floor pad.

MOBILE HOME INSTALLATION

In addition to standard installation instructions, the following requirements are mandatory for installation in a mobile home:

1. Stove must be permanently bolted to the floor.
2. Stove must have permanent outside air source.
3. Stove must be permanently electrically grounded to the steel chassis of the home.

Check with your local building official as other codes may apply.



FREESTANDING STOVE INSTALLATION CONFIGURATIONS

HORIZONTAL EXHAUST TERMINATION

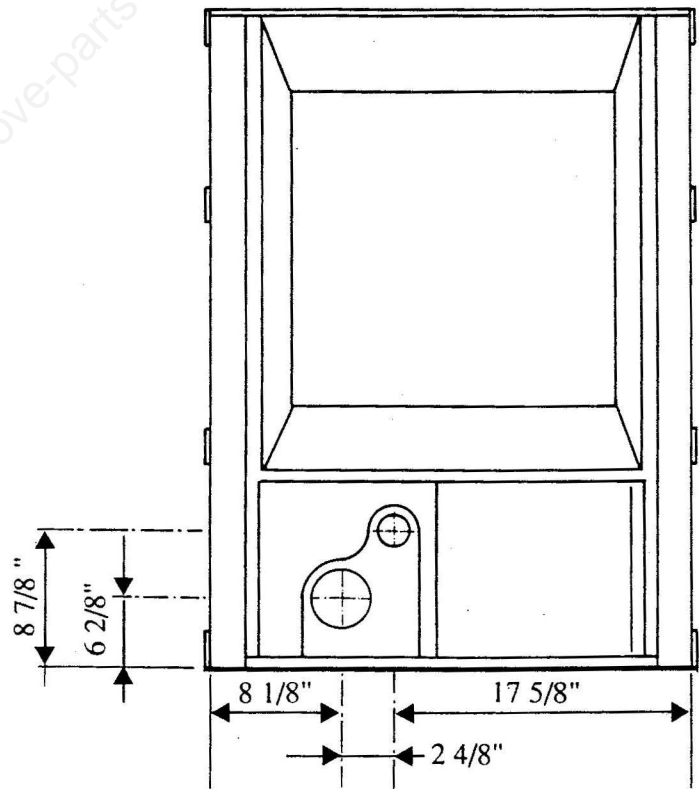
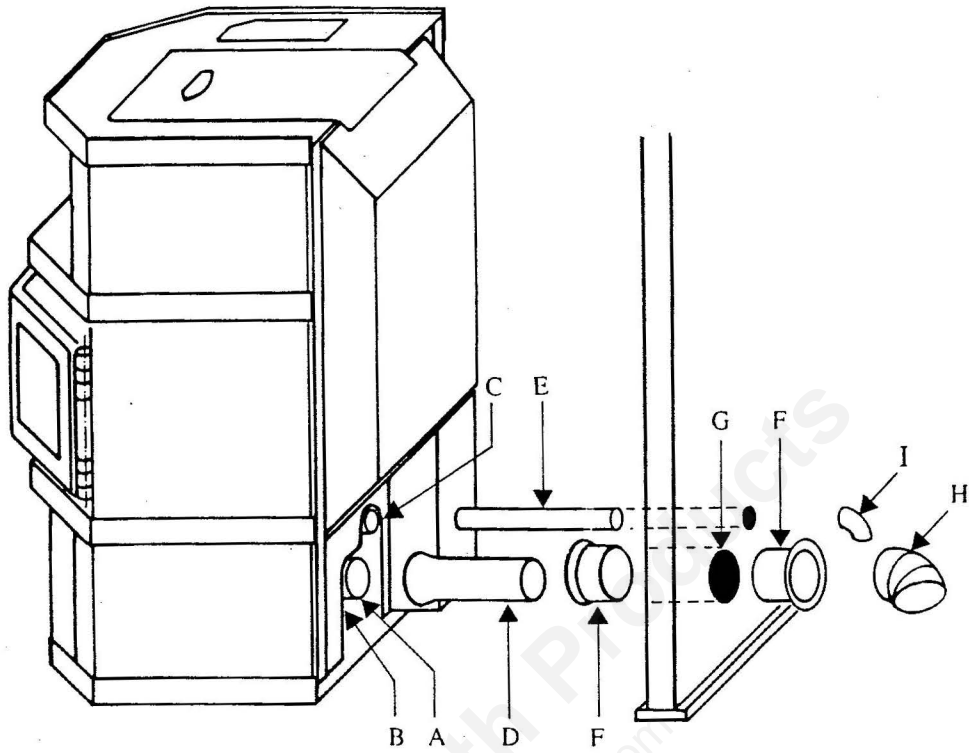
1. Locate proper position for type "PL" wall thimble (F). Use a saber saw or key hole saw to cut a 7 inch diameter hole through the wall (G) (for 3 inch pipe). For 4 inch pipe, cut 8 inch hole. Install wall thimble in the hole.
2. Position stove approximately 12" from the wall on floor pad. Push type "PL" pipe (D) through wall thimble (F). Squeeze a bead of high temperature silicone (RTV) sealer (A) around end of machined portion of the 3" pipe connector on the back of the stove (B). Firmly push on section of type "PL" pipe (D) until inner pipe liner pushes into the bead of RTV sealer.

3. Push stove (with pipe attached) towards wall. Pipe (D) will go through the wall thimble (F). Position stove not closer than 2 inch to the wall.

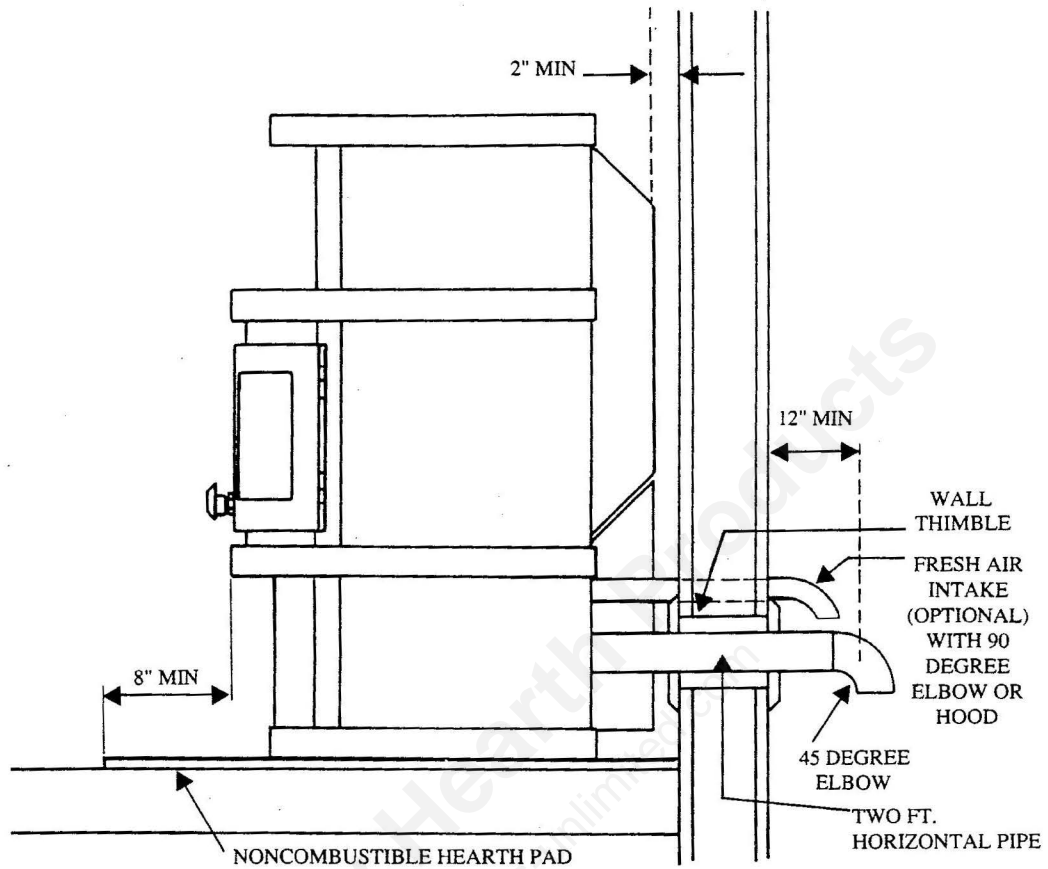
4. Install type "PL" 45 degree elbow (H) with rodent screen cap (optional) on outside end of pipe.

NOTE: The end of the exhaust pipe must extend a minimum of 12 inches from the outside of the building. Rodent screen should not be less than 3/8" in mesh.

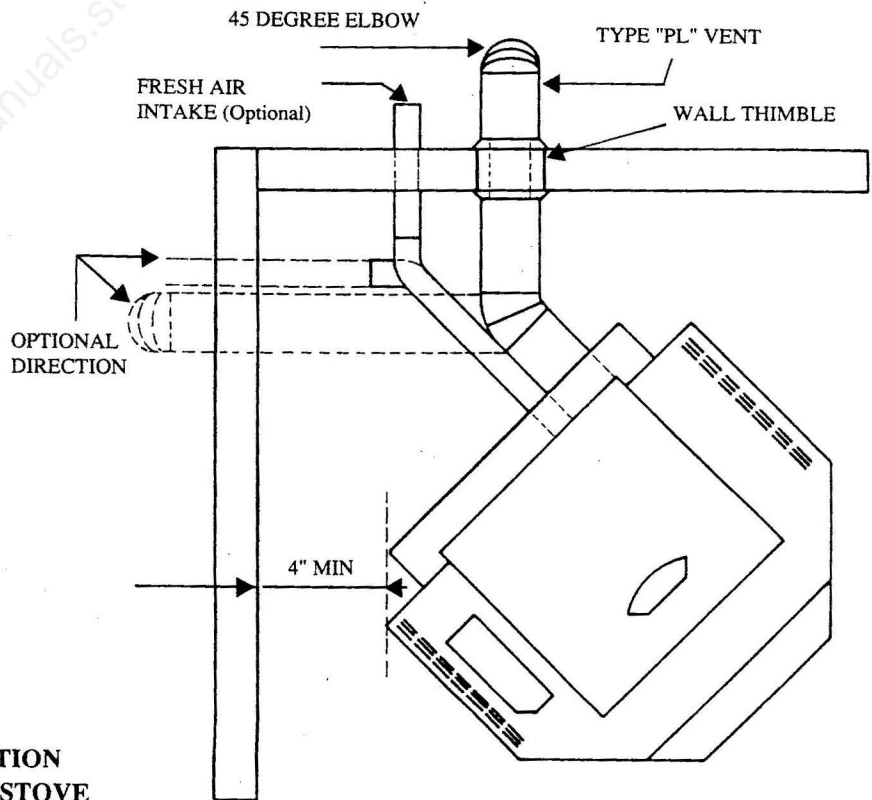
5. If installing with combustion air from outside: cut a separate hole through the wall for the fresh air tube (E). This tube must be 1 5/8 inch (min.) diameter, steel only! Connect outside air pipe to air inlet on stove (C). This tube must be terminated with a 90 degree elbow or hood.



FREESTANDING STOVE, HORIZONTAL EXHAUST (CONTINUED)

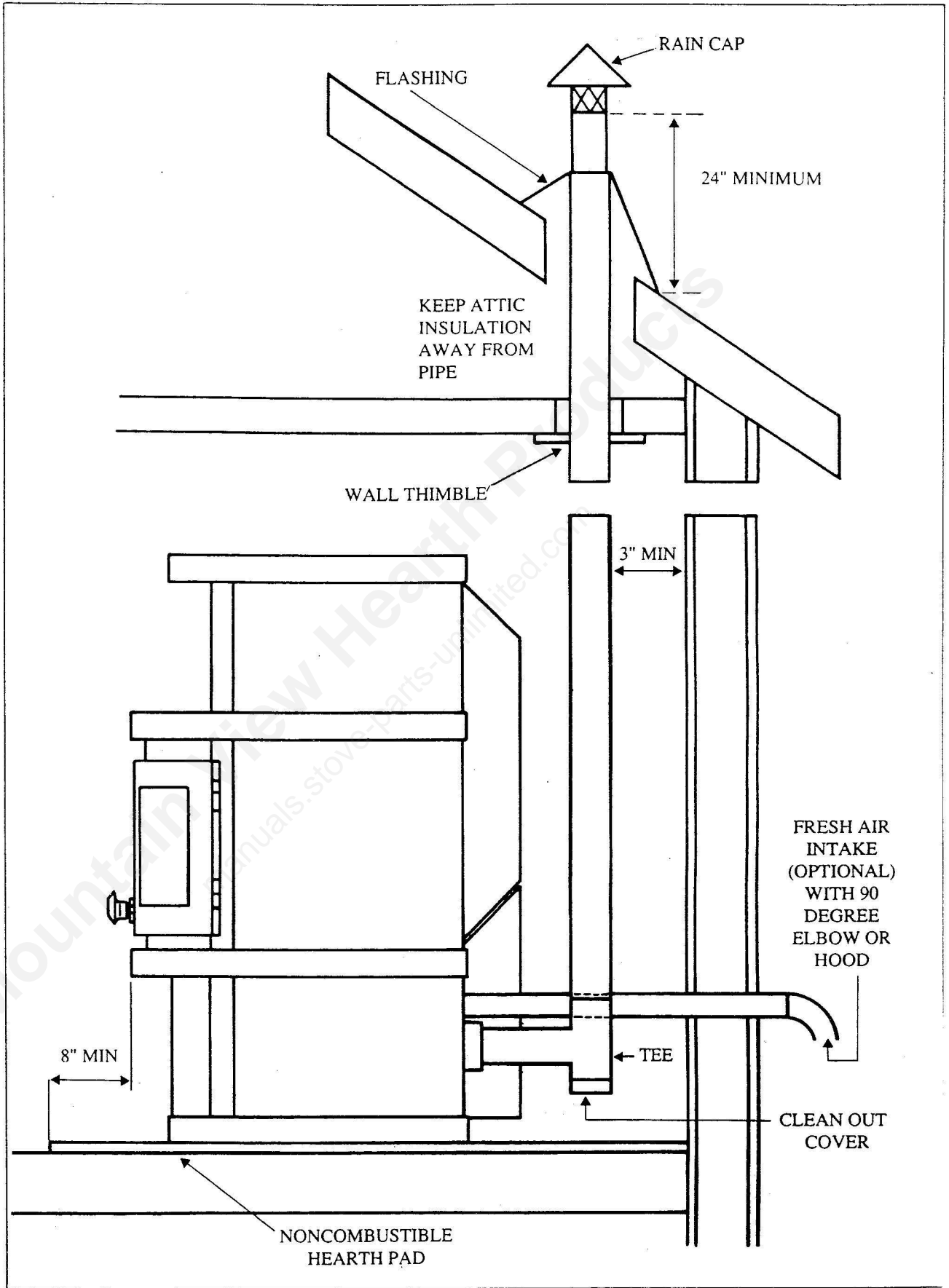


OUTSIDE WALL TERMINATION USING FREESTANDING STOVE



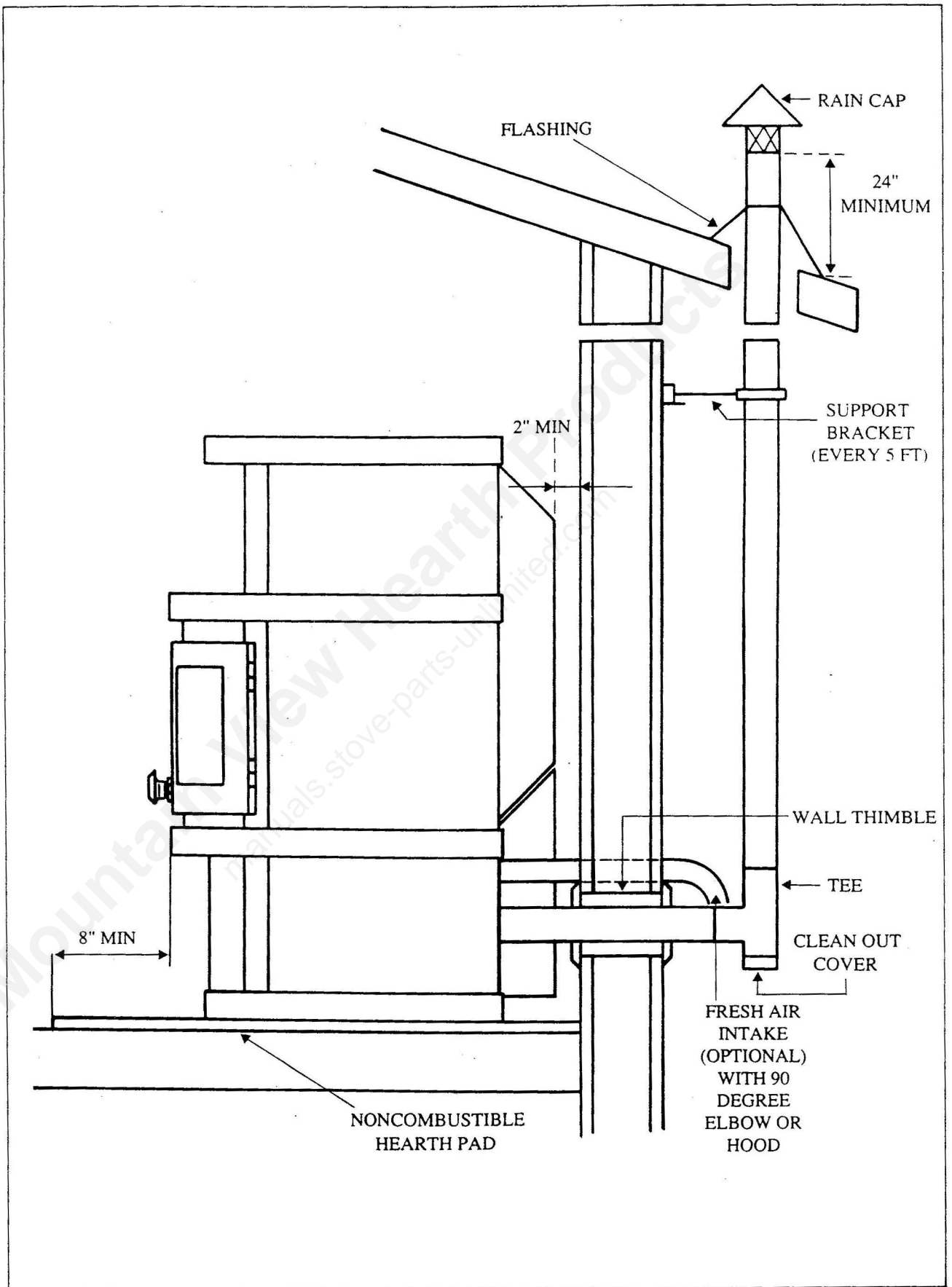
CORNER INSTALLATION OF FREESTANDING STOVE

FREESTANDING STOVE INSTALLATION CONFIGURATIONS WITH VERTICAL EXHAUST TERMINATION



INSIDE VERTICAL PIPE WITH ROOF TERMINATION

FREESTANDING STOVE, VERTICAL EXHAUST (CONTINUED)



THROUGH THE WALL, VERTICAL PIPE INSTALLATION WITH TERMINATION THROUGH THE ROOF

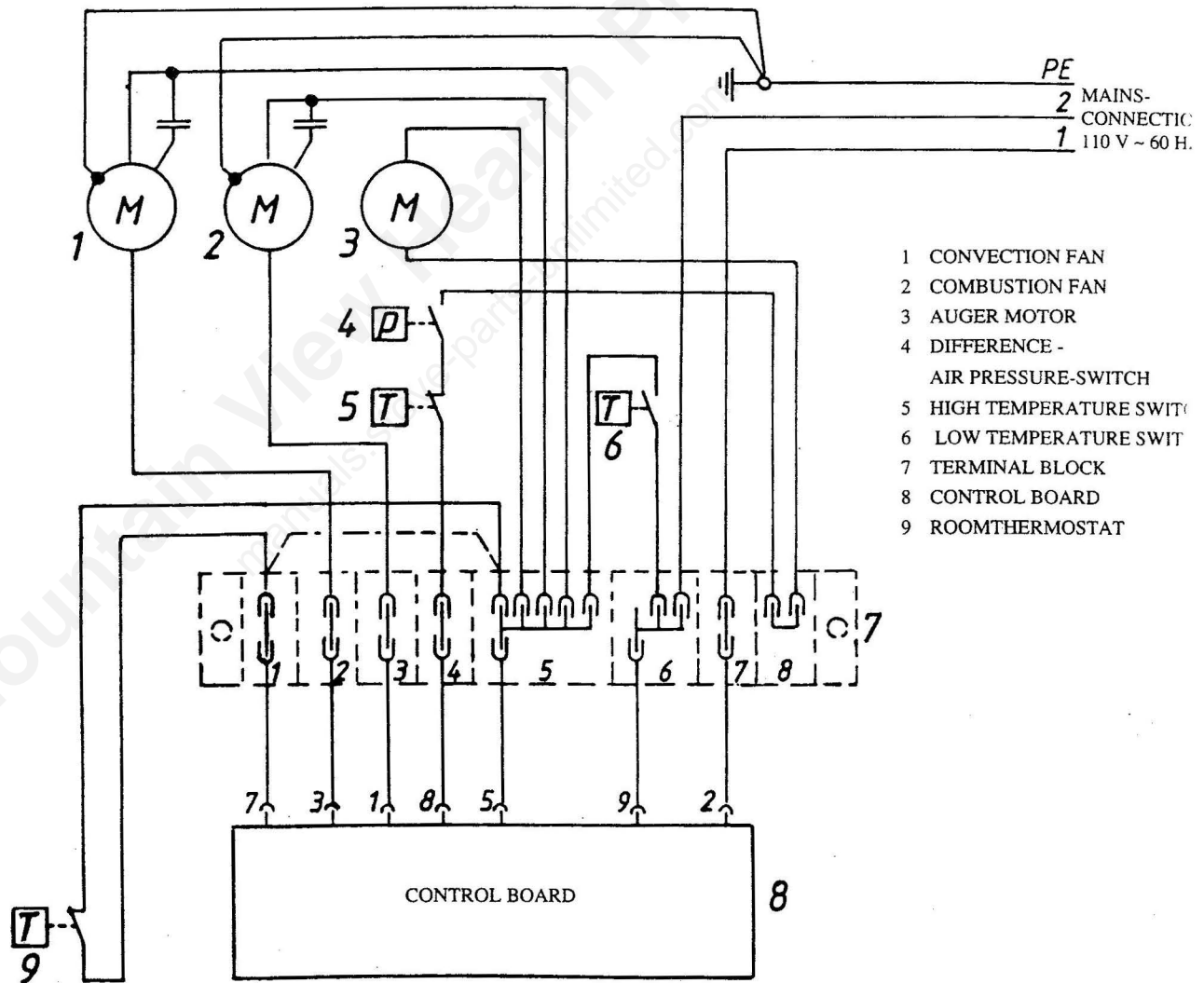
CONTROL PANEL INSTALLATION

Unplug stove before performing any maintenance work.

The electronic control board is mounted to a steel bracket for easy installation into the stove or side shroud using a single fastener. The control board can be removed or replaced without removing the side panel or the side shroud.

The control cable is fitted with a quick - disconnect plug that plugs into the back of the control board. The other end

of the control cable is permanently attached to the screw terminals. If the thermostat is used, its two low voltage wires should be inserted through the grommet located at the back of the stove (Freestanding) and connected to the back of the control board. The jumper wire provided on the back of the control board at this location should first be removed. The blower and motor wires attach directly to quick disconnects on the terminal block as indicated on the hook-up



TERMINAL DIAGRAM

WEGA TROUBLESHOOTING GUIDE

Unplug stove before performing any maintenance work!

PROBLEM:

Fire burns with a lazy, orange flame. Pellets build up in the grate and the window gets sooted up.

CAUSE(S)

1. Insufficient combustion air.

SOLUTIONS

Remove any clinkers or ash from the bottom of the fire pot that might be obstructing the primary air holes. Change to a better grade of fuel if necessary.

Check that heat exchange tubes are not clogged with ash.

Check that the ash pan is locked in the correct position and check the gasket seal around the ash pan in the same manner as above.

Replace the ash pan gasket if necessary.

Check combustion blower impeller.

Clean impeller or remove blower for further cleaning if necessary.

Check for blockage in the air inlet tube or exhaust pipe.

Clean out as necessary. Air supply may need adjustment.

PROBLEM:

Fire goes out or stove shuts down automatically.

CAUSE(S)

1. Hopper is empty.
2. Pellets not feeding.
3. High limit temperature switch has tripped.
4. Combustion air too high.
5. Fuel feed rate too low.

SOLUTIONS

1. Refill hopper.
2. See "Pellets will not feed" below.
3. Allow stove to cool for 1 hour and relight.
4. Adjust air supply.
5. Call your authorized Austroflamm dealer for adjusting the fuel control.

PROBLEM

Pellets will not feed.

CAUSES(S)

1. Hopper is empty.
2. Auger, circuit board, pressure switch or relay may be defective.

SOLUTIONS

1. Check contents of the hopper. Add fuel if necessary.
2. Have your certified Austroflamm dealer diagnose the problem and replace parts.

PROBLEM:

Stove runs for 30 minutes and then shuts down.

CAUSE(S)

1. Exhaust gas is not up to temperature.
2. Low limit switch may need replacement or call your Austroflamm dealer.
3. Wires to either the low limit snap switch or high limit snap switch maybe loose or disconnected.

SOLUTIONS

1. Press start switch again and relight stove if necessary.
2. Have a certified Austroflamm dealer replace the low limit switch.
3. Check wiring refer to service manual. Make sure there are good connections between the wires and their terminals.

PROBLEM:

Blowers will not shut off after the fuel has been switched off and the stove has cooled down.

CAUSE(S)

1. Low limit snap switch has failed in the closed position.

SOLUTIONS

1. Contact your Austroflamm dealer for replacing the low limit snap switch.

PROBLEM:

Blowers will not operate when the start switch is depressed.

CAUSE(S)

1. No power to stove.
2. No power to control board.

SOLUTIONS

1. Check to see that the stove is plugged into the wall out-

let. Check to see if your circuit breaker has "tripped".

2. Check wire connections and see page 20.

PROBLEM:

Soot or fly ash in the house.

CAUSE(S)

1. Cleaning the window, particularly when the stove is operating.
2. Leakage at the joints between the combustion fan, exhaust pipe and 'PL' vent. This will be evidenced by dust

in the impeller of the convection fan, and in the heat exchanger tubes.

SOLUTIONS

1. The stove must be cooled down and power must be disconnected before cleaning to prevent dispersion into the room.
2. Seal up any leaks in the exhaust system, with RTV high temperature silicon sealer.

WARRANTY

The Manufacturer provides a five year limited warranty on all steel parts (except the grate), and a 1 year limited warranty on all electrical components. These warranties extend from the date of the original purchase. There is expressly no warranty on the following components: glass window, fiberglass rope gaskets, firebrick, paint, tile.

This warranty covers defects in materials and workmanship in covered components, provided the product has been installed and operated strictly in accordance with Manufacturer's printed instructions. This warranty does not cover damage or breakage caused by improper handling, misuse or unauthorized modification.

Without limiting the foregoing, the use of fuels other than pelletized wood will void all warranties and liabilities.

All claims under this warranty must be made in writing to the Manufacturer at:

AUSTROFLAMM Industries INC. 2210 Alexander Str. / Suite A, Salt Lake City, UTAH 84119

1. Name, address and telephone number of purchaser;
2. Name and address of seller, plus the date of purchase, as well as proof of purchasing.
3. Name and address of installer and date of installation;
4. Serial number of stove; and
5. Nature of the defect, malfunction or complaint.

Arrangements will be made for inspection. If the inspection indicates that the failure was due to defective material or workmanship in covered components and that the other terms and conditions of this warranty have been complied with, the Manufacturer's sole duty and liability under this warranty shall be limited to the Manufacturer's replacement or repair, at Manufacturer's option, of the defective unit or part. The purchaser shall assume all costs of shipping to and from the Manufacturer and shall be respon-

sible for all losses during shipment. Removal and reinstallation costs are not covered under this warranty.

Neither the manufacturer, nor the supplier to the purchaser, accepts responsibility, legal or otherwise for incidental or consequential damage to property of persons resulting from the use of this product. Any warranty implied by law, including but not limited to implied warranties of merchantability or fitness, shall be limited to one year from the date of original purchase. Whether a claim is made against the manufacturer based on a breach of this warranty or any other type of warranty, expressed or implied by law, manufacturer shall in no event be liable for any special, indirect, consequential or other damages of any nature whatsoever in excess of the original purchase price of this product. All warranties by manufacturer are set forth herein and no claim shall be made against manufacturer on any oral warranty or representation.

Some states do not allow the exclusion or limitation of consequential damages, or limitations of implied warranties, so the limitations or exclusions set forth in this warranty may not apply to you.

WARNING

Changes to the design characteristics or operating parts are not authorized by the manufacturer and will void any and all warranties. Such changes may create hazardous conditions that can endanger the user and/or their property.

This warranty gives you specific legal rights and you may also have other rights which vary from state to state.