

This section contains reference material related to Breckwell pellet stoves in general, as well as material for specific stove models to supplement the information in the preceding sections. It also contains service bulletins and technical updates which may be issued from time to time.

Section Four

Technical Reference

Section Four Contents

Last Updated: July 15, 1998

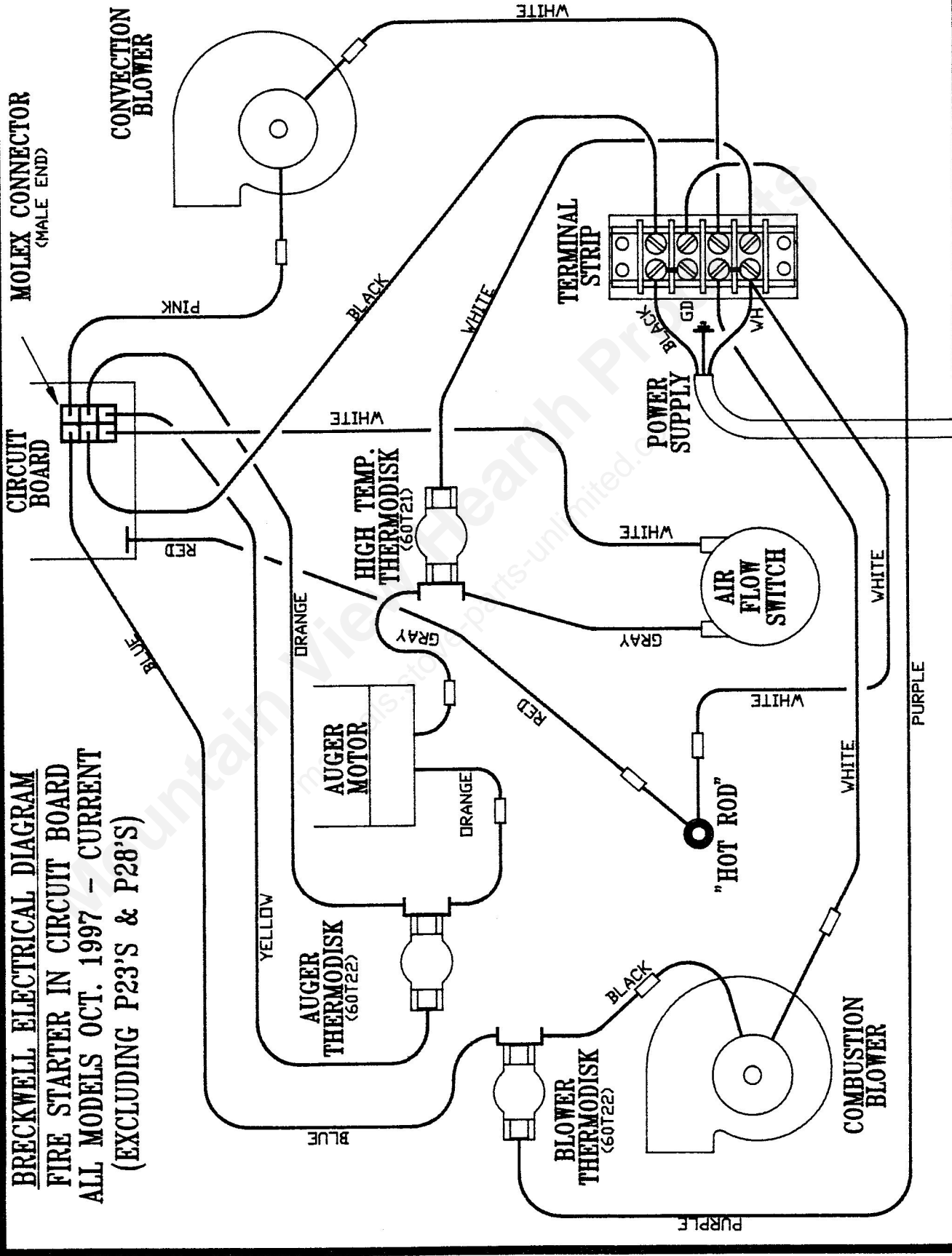
4.1 Wiring Diagrams

Note: for pellet stoves manufactured prior to 1992, contact our technical service department.

4.2 Auger Timing Charts

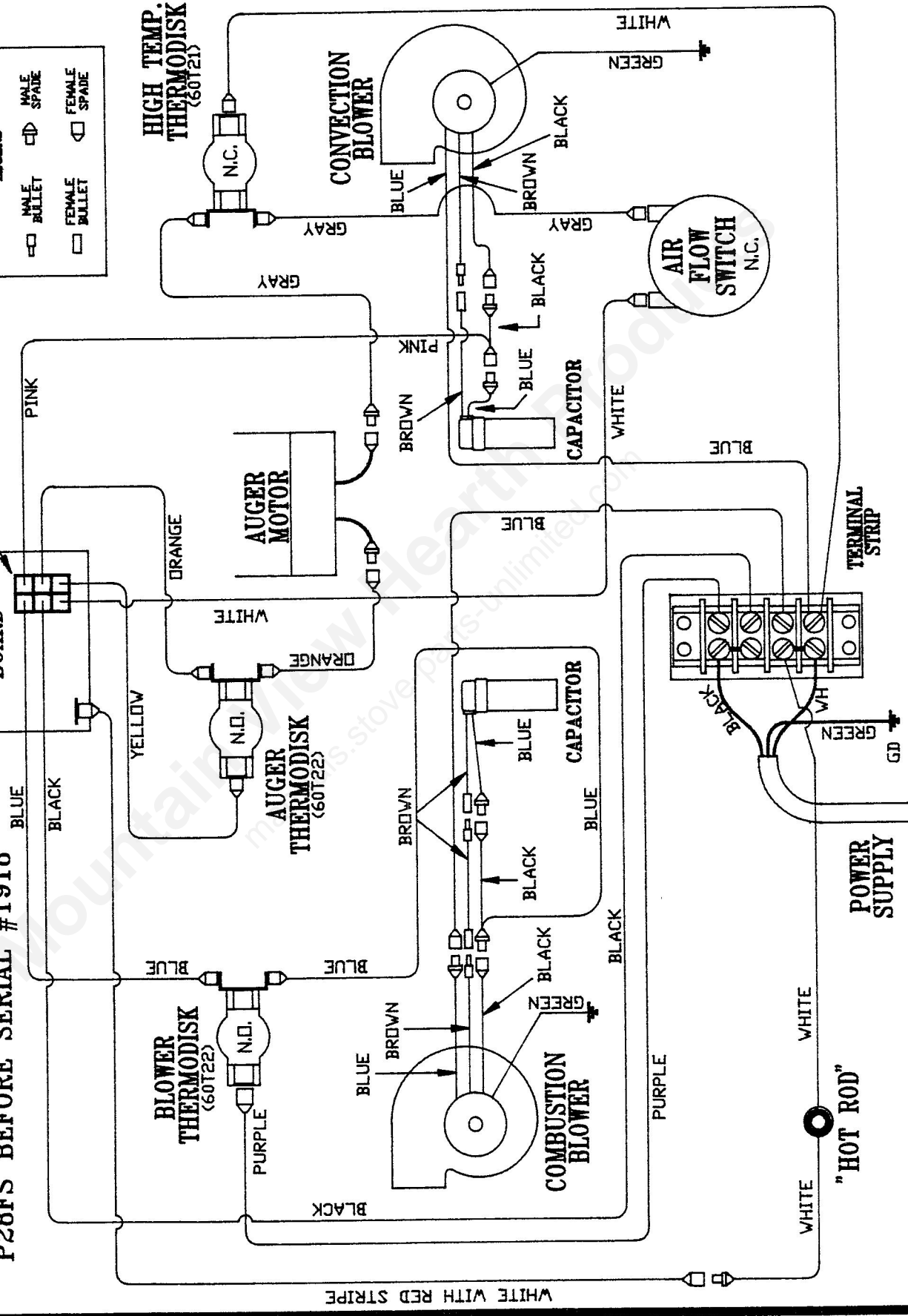
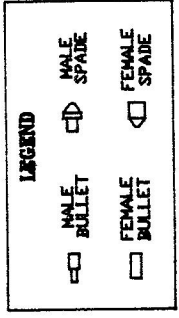
4.3 Service Bulletins

**BRECKWELL ELECTRICAL DIAGRAM
 FIRE STARTER IN CIRCUIT BOARD
 ALL MODELS OCT. 1997 - CURRENT
 (EXCLUDING P23'S & P28'S)**

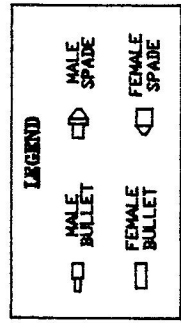


**BRECKWEL ELECTRICAL DIAGRAM
P28FS BEFORE SERIAL #1918**

CIRCUIT BOARD
MOLEX CONNECTOR (MALE END)

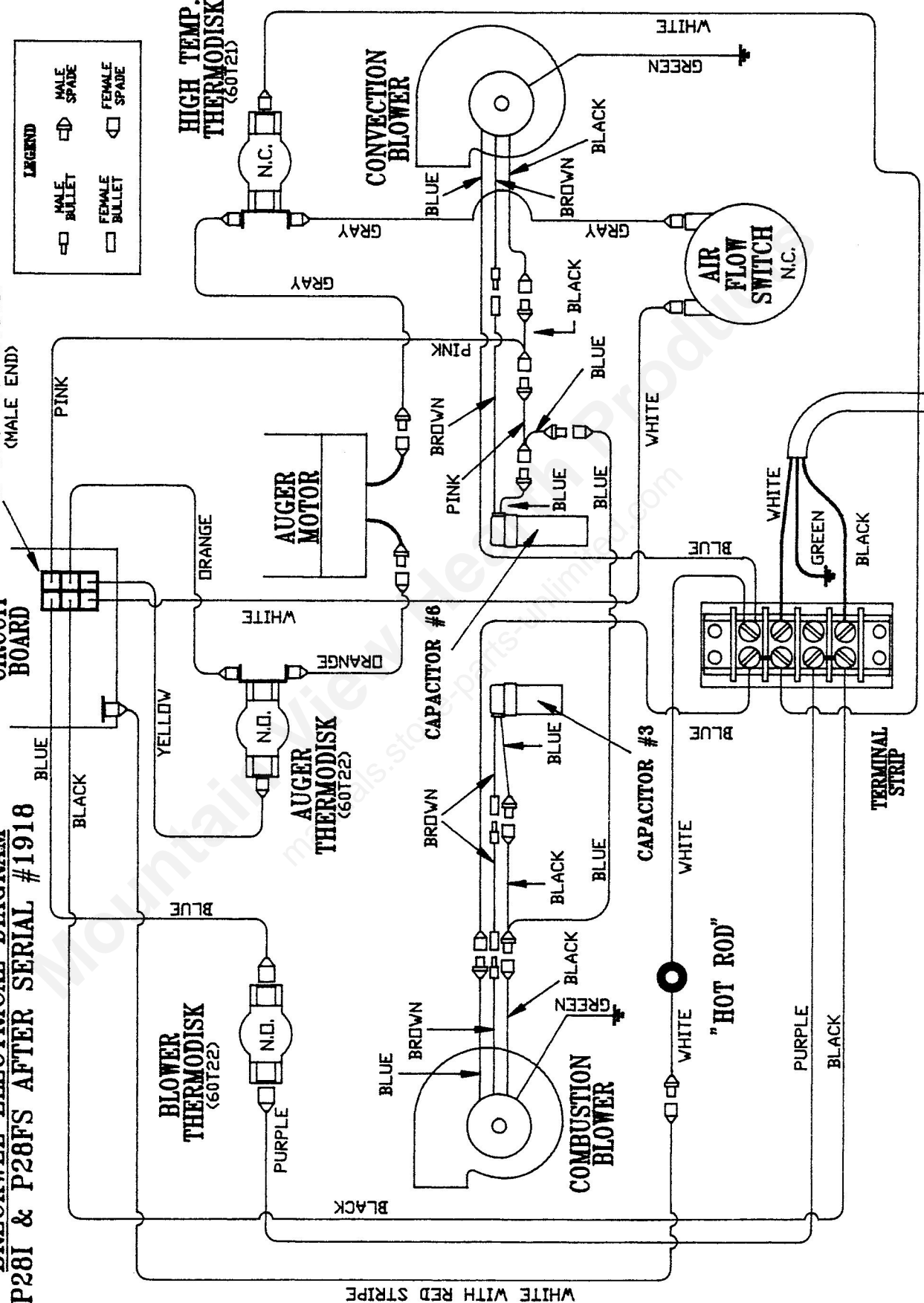


**BRECKWEL ELECTRICAL DIAGRAM
P281 & P28FS AFTER SERIAL #1918**



**MOLEX CONNECTOR
(MALE END)**

CIRCUIT BOARD

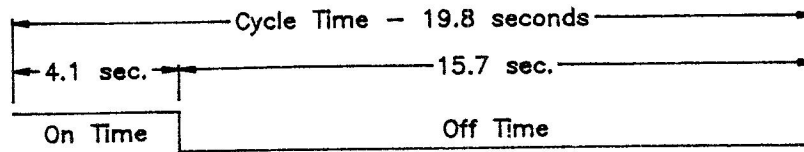


WHITE WITH RED STRIPE

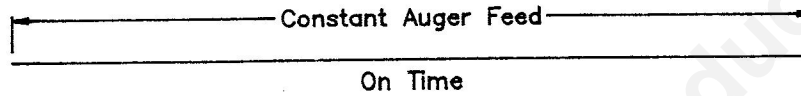
P23 Timing Cycles

Note: These times may vary by $-.2$ sec.

Low Setting



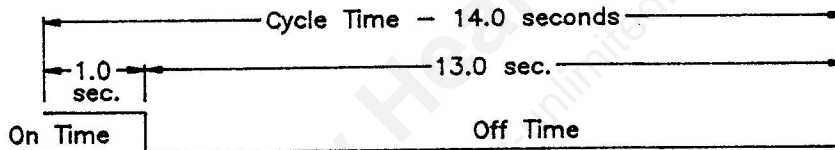
High Setting



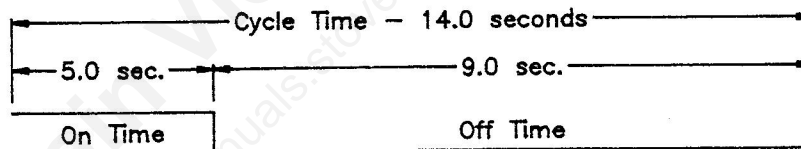
P28FS & P2000FSA Timing Cycles

Note: These times may vary by $-.2$ sec.

Low Setting



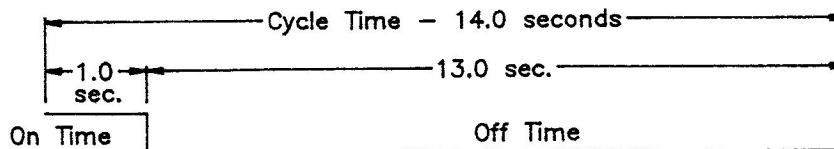
High Setting



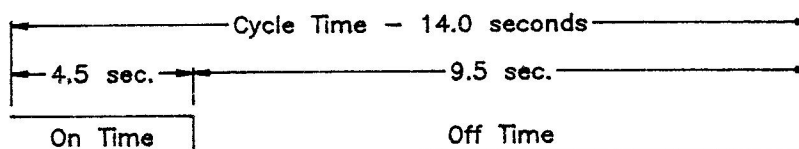
P24FS, P24I, P28I & P2000I Timing Cycles

Note: These times may vary by $-.2$ sec.

Low Setting



High Setting



Mountain View Hearth Products
manuals.stove-parts-unlimited.com

Mountain View Hearth Products
manuals.stove-parts-unlimited.com