

## *AES Technical Bulletin*

### **Country Flame Door Installation**

**Product models covered:** All Country Flame Models with doors.

**Topic:** This technical bulletin will be addressing how to install a door on a Country Flame model unit and how to make adjustments for a proper fit.

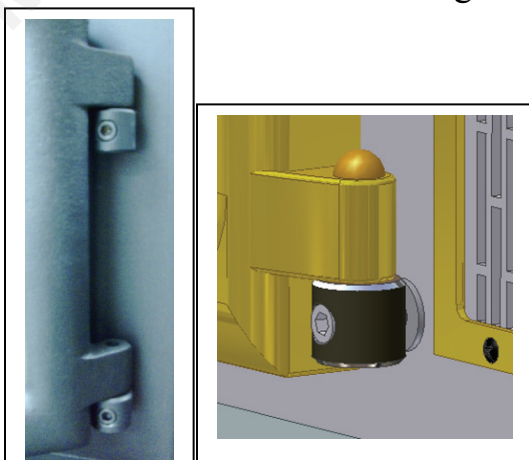
**Procedure:**

Hold the opened door parallel to the stove, above hinge pins. Align the female portion of the door hinge with the male portion of the stove hinge. Gently lower the door hinges over the stove hinge pins. Once the door hinges have been set, the door can be closed to check for proper fit.

The door may require fine adjustment for proper seal. (See Figures 1 & 2) With the door closed un-tighten the two hinge pin bolts approximately one turn. Raise or lower door as required with the handle to the proper position. Check to ensure that the stove's perimeter door flange seats properly into the door gasket. Tighten the hinge bolts while holding the door in place.

The door seal must create an air-tight fit. To adjust the gasket tightness, rotate the door latch (see Figure 3) one clockwise (loosen) revolution as necessary to adjust the gasket seal and tightened by turning the handle one counterclockwise revolution.. To test door gasket seal, place a slip of paper against the stove door frame and then latch the door, tug paper gently. Continue this test around entire door frame. If gently tugging on the paper does not dislodge it from the door, the seal is appropriate. If paper does dislodge from the door, replace gasketing. Check the door seal with the paper test prior to lighting stove.

The door installation should now be complete. To remove the door, open completely and lift the door from the stove hinges.



Figures 1 & 2: Adjustable Door Hinge Screws

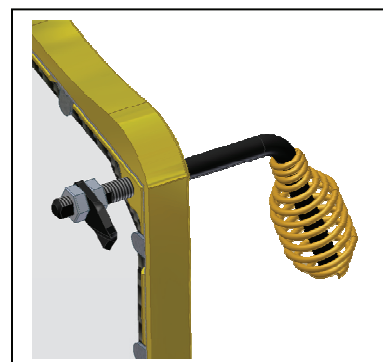


Figure 3: Door Handle Latch