

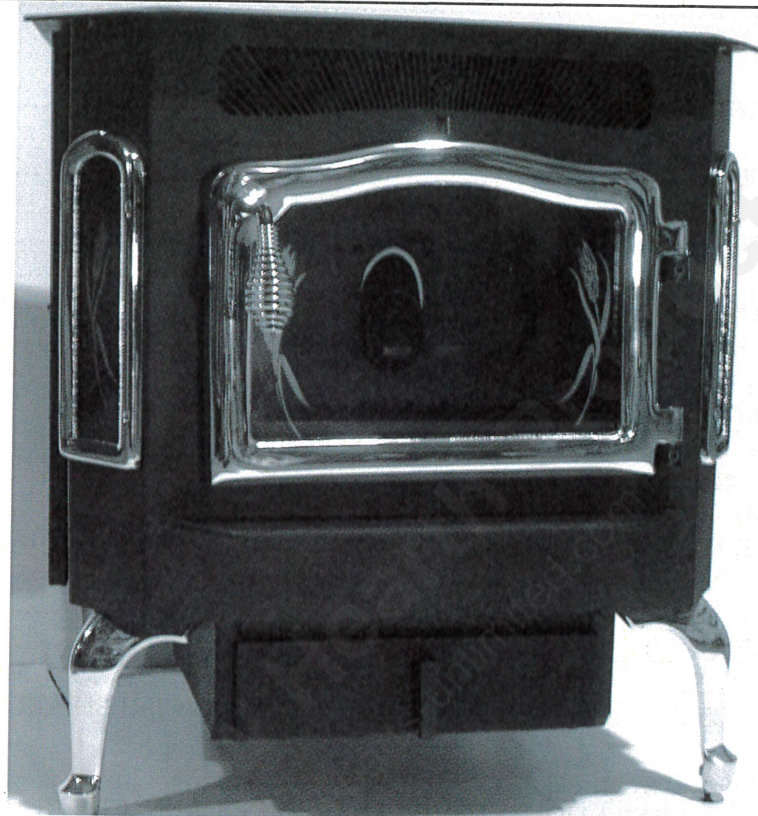
NPS-1005-900 control Board

# AMERICAN ENERGY SYSTEMS INC.

INSTALLATION, OPERATION AND MAINTENANCE MANUAL

## HARVESTER CORN AGRI-FUEL STOVE

MODEL HR-01



USA & CANADA TEST:  
ASTM E1509-04, UL 1482,  
ULC S627, ULC/ORD C1482 (and ULC S628  
if listed for fireplace insert installation in Canada)  
Oregon Administrative Rules 814-23-909

TESTED BY:  
WARNOCK HERSEY

MOBILE HOME APPROVED

**WARNING:** If the directions in this manual are not followed exactly, a fire may result causing property damage, personal injury or loss of life.

### FOR YOUR SAFETY

Do not store or use gasoline or other flammables (vapor or liquids) in or around the vicinity of this appliance.

Installation and repair must be performed by a qualified service agency.

Always check with local jurisdiction or code agency before installing this product. Local jurisdiction may require a permit prior to installation.

Rev. update 01/2012

# Table of Contents

<b>SAFETY NOTES:</b> .....	3-5
LISTING STANDARDS:.....	5
LISTING / TESTING AGENCY (AUTHORITY).....	5
<b>CERTIFICATION SAFETY LABEL (sample)</b> .....	6
<b>FORWARD</b> .....	7
<b>HARVESTER LIMITED WARRANTY</b> .....	8-9
<b>THE HARVESTER OPERATION</b> .....	10
FEATURES.....	10
SAFETY FEATURES.....	11
BATTERY BACKUP SYSTEMS.....	11
HARVESTER COMPONENTS.....	12
FUEL REQUIREMENTS, STARTUP, PRIMING, FIRST FIRE.....	13
ASH REMOVAL.....	14
CONTROL BOARD.....	14-16
CONTROL BOARD OPERATIONS, FEATURES.....	17-19
ELECTRICAL DIAGRAM.....	20
SPECIFICATIONS, ELECTRICAL REQUIREMENTS, .....	21
PLATED (gold or nickel) DOOR CARE.....	21
OPTIONAL FEATURES, THERMOSTAT OPERATION, .....	21
CHANGE HEAT LEVEL (thermostat active).....	21
CHANGE HEAT LEVEL (thermostat in-active), COMBUSTION FRESH AIR CONTROL.....	22
<b>INSTALLATION:</b> .....	23
INSTALLATION PREPARATION, STOVE CLEARANCES, MIN. CLEARANCES.....	23
VENT SYSTEMS, FACTORY BUILT CHIMNEY, MASONRY BUILT CHIMNEY.....	24
ALCOVE INSTALLATION.....	25
FLOOR PROTECTION REQUIREMENTS.....	26
PELLET VENT SYSTEMS.....	27-29
OUTSIDE AIR COMBUSTION REQUIREMENTS.....	30
<b>MOBILE HOME INSTALLATION</b> .....	31
MOBILE HOME RULES, CLEARANCES.....	31
MOBILE HOME STOVE ATTACHMENT, FLOOR PROTECTION.....	32
MOBILE HOME CHIMNEY AND DUCT.....	33-34
<b>MAINTENANCE REQUIREMENTS</b> .....	35
GENERAL REQUIREMENTS, STOVE DOOR INSTALLATION.....	35
STOVE DOOR ADJUSTMENT, CLEANING.....	36
GLASS REPLACEMENT.....	36
GASKET REPLACEMENT.....	37
<b>APPENDIX A: TROUBLESHOOTING GUIDE</b> .....	38-39
<b>APPENDIX B: MAINTENANCE GUIDE</b> .....	40-42
<b>APPENDIX C: TECHNICAL SPECIFICATIONS</b> .....	43
<b>APPENDIX D: REPLACEMENT PARTS</b> .....	44

## SAFETY NOTES

The Harvester Model HR-01 corn agri-fuel stove is significantly different from a conventional wood-burning stove. One major difference is that the HR-01 requires a reliable source of electrical energy to properly operate. The owner, installer, and operator must understand this manual and read it in its entirety. This understanding should be completed and followed before installation or operation of the HR-01 is attempted. Failure to follow installation and operation instructions may result in property damage, bodily injury, or even death. The Factory strongly recommends that a certified professional install the Harvester Model HR-01 to assure proper performance and validation of warranty.

**WARNING:** **THE AUTHORITY HAVING JURISDICTION** (such as a municipal building department, fire department, or fire prevention bureau, etc) **SHOULD BE CONSULTED BEFORE BEGINNING INSTALLATION. A PERMIT MAY BE REQUIRED IN ORDER TO PERFORM INSTALLATION.**

**WARNING:** It is recommended that a smoke detector be installed in the vicinity of the HR-01.

**WARNING:** American Energy Systems Inc. has no control over installation maintenance procedures; therefore, American Energy Systems Inc. grants no warranty, implied or written, for the installation or maintenance of the HR-01. Further, the factory assumes no responsibility for any consequential damage resulting from said installation or maintenance of this product.

**WARNING:** After operation, always allow the Harvester stove to completely cool before performing any maintenance operations.

**WARNING:** The HR-01 stove requires reliable electric energy to properly operate. If electrical power is not available, **DO NOT** operate a Harvester stove with only natural draft.

**WARNING:** Only a certified professional should install the HR-01 stove and only a qualified service technician should perform maintenance on this stove. Any parts removed for installation or servicing must be replaced prior to operational use of this stove.

**WARNING:** Modification of this product is not authorized and any modification voids the Country Flame warranty.

**WARNING:** The Harvester must be connected to a code compliant grounded 120-volt, 15 ampere, and 60 hertz electrical outlet. Use of a dedicated circuit is recommended. **NEVER** use an adapter, extension cord or cut or remove any prong from the power cord. It is required to use a proper voltage surge protector to validate any electrical warranty for this product.

**WARNING:** **NEVER** place or store any combustible or flammable products on or near the Harvester.

**WARNING:** The Harvester is designed to immediately shutdown in the event the front door is opened. Keep the viewing and ash removal door tightly closed during operation. Always clean the HR-01 after the stove has been allowed to return to normal room temperature.

**WARNING:** Do not connect the Harvester to a chimney flue serving another stove of any type.

**WARNING:** **FOLLOW** all operating instructions in this manual. Short cuts in operating procedures, of any kind, can be dangerous.

- WARNING:** Maintain all minimum safety clearances of the Harvester stove and chimney system. Never install the Harvester in a sleeping room.
- WARNING:** The Harvester is designed and approved for burning of number 2 yellow shelled corn with a maximum moisture content of 14%. Any fuel used in this stove must be clean. Do not burn untested fuels, seed corn, or foreign materials in this product. Failure to comply with this restriction voids Country Flame's warranty and the safety listing of the unit. Poor quality fuel will directly (*and adversely*) affect efficiency and cleanliness of operation. Country Flame's local authorized dealer can help in recommending a quality fuel
- WARNING:** **NEVER** use gasoline, lantern fuel, kerosene, charcoal lighter fluid or other combustible liquids to start or "freshen up" the fire in this product. Do not store or use gasoline or other flammable liquids or allow combustible vapors in the vicinity of product.
- WARNING:** **NEVER** put foreign objects in the hopper and **NEVER** burn trash or unapproved material in the Harvester. Using improper fuel voids the Country Flame warranty and damage to the stove resulting from foreign objects is not covered by warranty.
- WARNING:** Ensure free and adequate airflow to and around the Harvester. This stove is a combustion system that requires continuous flow of fresh air for proper operation. Failure to provide an adequate fresh air supply can lead to operational problems such as: negative pressure in the home, poor operation of this or other home combustion appliances, or a host of other issues. Remember that other combustion appliances compete for fresh air in the home. Consult with a professional to ensure positive air flow is provided to the stove during operation.
- WARNING:** The Harvester's exhaust system works with a negative combustion chamber pressure and a low positive chimney pressure. It is very important that the stove's exhaust and chimney system be airtight and properly installed. The chimney joints should be sealed with 500 degrees Fahrenheit (500°F or 260 °C) silicone sealant (RTV) and secured with at least (3) sheet metal screws. An improperly installed stove or chimney system is the major cause of a home fire.
- WARNING:** When installed in a mobile home, the Harvester must be grounded to the steel chassis of the mobile home. In addition, the stove must be bolted to the floor. A mobile home installation of the Harvester should be in accordance with the Manufactured Home and Safety Standard (HUD), CFR 3280, Part 24. Consult the local code authority.
- WARNING:** **SOOT AND FLY ASH:** The products of combustion will contain small particles of fly ash. The fly ash will collect in the exhaust venting system and restrict the flow of the flue gases. Incomplete combustion, such as occurs during start-up, shut down, or incorrect operation of the Harvester will lead to soot formation in the exhaust venting system. The exhaust venting system should be inspected at least twice every year to determine if cleaning is necessary.
- WARNING:** **ASH REMOVAL:** The ash pan is designed to be emptied every day. If the ash pan is not emptied regularly, ash will build up and restrict the flow of fresh air to the combustion chamber. The ash pan door should not be opened for prolonged periods of time (greater than 3 minutes.) If the ash pan door is opened for long periods of time an unrestricted supply of air can flow into the combustion chamber. This unrestricted air flow can cause

an over fire condition. The airtight seal of the ash pan door ensures a combustion process per the stove design.

**CAUTION:** Operate the Harvester with the fuel hopper lid closed at all times. Failure to keep the hopper lid closed during operation may result in the release of combustion gasses into the home from the hopper under certain conditions. Maintain any hopper seal in good condition and do not overfill the hopper.

**CAUTION:** **THE HARVESTER IS HOT WHILE IN OPERATION. DO NOT TOUCH. KEEP CHILDREN, CLOTHING, AND FURNITURE AWAY. CONTACT WITH HOT SURFACES MAY CAUSE SEVERE SKIN BURNS. REFER TO THE SAFETY LABEL FOR INSTRUCTIONS.**

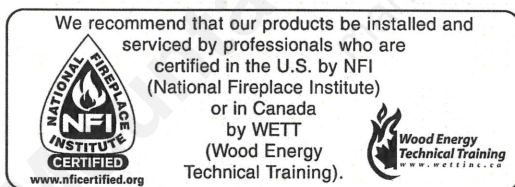
**NOTE:** **RETAIN** this **MANUAL** for future reference as needed and ensure that the model and serial number of the Harvester is written down for use in the future should maintenance be required.

### EPA STANDARDS

The Country Flame Harvester meets rigorous emission standards. Country Flame Harvester Model HR-01 corn stoves are excluded from the United States Environmental Protection Agency regulations.

### LISTING/TESTING AGENCY

The Harvester Model HR-01 has been independently tested and listed in accordance with ASTM E1509-04, UL 1482, ULC S627, ULC/ORD C1482 (and ULC S628 if listed for fireplace insert installation in Canada) and Oregon Administrative Rules 814-23-909. This listing is for installation into residential dwellings, including standard construction units, mobile home units, or modular home units. The Harvester Model HR-01 was tested to standards by Intertek Testing Services, NA, Inc., 8431 Murphy Drive, Middleton, WI 53562.



# CERTIFICATION SAFETY LABEL (sample)



**LISTED MULTI-FUEL BURNING SPACE HEATER/FIREPLACE INSERT  
ALSO SUITABLE FOR MOBILE HOME INSTALLATION  
MODEL: HARVESTER**

MODEL HR-01

SERIAL #

THIS APPLIANCE HAS BEEN TESTED BY WARNOCK HERSEY, INC.  
Tested Per: ASTM E1509-04, UL 1482, ULC S627, ULC/ORD C1482,  
(and ULC S628 if listed for fireplace insert installation in Canada)

MANUFACTURED BY: AMERICAN ENERGY SYSTEMS, INC.  
150 MICHIGAN STREET SE  
HUTCHINSON, MN 55350

INSTALL AND USE IN ACCORDANCE WITH MANUFACTURER'S INSTALLATION AND OPERATING INSTRUCTIONS.  
CONTACT LOCAL BUILDING OR FIRE OFFICIALS ABOUT RESTRICTIONS AND INSTALLATION INSPECTION IN YOUR AREA.

A 3" (75mm) OR 4" (100mm) TYPE "PL" VENTING SYSTEM OR LISTED TYPE "L" CHIMNEY USED. SEE LOCAL BUILDING CODE AND APPLIANCE AND VENT MANUFACTURER'S INSTRUCTIONS FOR PRECAUTIONS REQUIRED FOR PASSING VENTING SYSTEM THROUGH A COMBUSTIBLE WALL OR CEILING.

**OPERATE UNIT ONLY WITH DOORS FULLY CLOSED  
REPLACE GLASS ONLY WITH CERAMIC GLASS  
START STOVE BY PUSHING ON/OFF SWITCH TO ON POSITION  
STOP STOVE BY PUSHING ON/OFF SWITCH TO OFF POSITION**

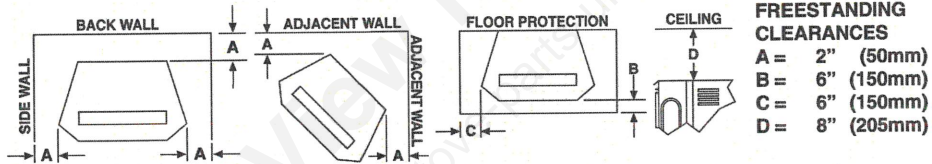
THIS APPLIANCE QUALIFIES AS A NON-AFFECTED FACILITY ACCORDING TO  
U.S. ENVIRONMENTAL PROTECTION AGENCY

## CAUTIONS

WARNING: DO NOT INSTALL IN A  
MOBILE HOME SLEEPING ROOM.

FOR USE WITH SHELLED CORN  
USE OF OTHER FUELS MAY DAMAGE UNIT  
AND CAUSE A HAZARDOUS CONDITION.

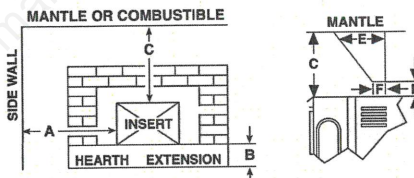
DO NOT CONNECT THIS  
UNIT TO A CHIMNEY  
SERVING ANOTHER  
APPLIANCE.



INSTALL ON A NON-COMBUSTIBLE FLOOR PROTECTOR EXTENDING UNDER THE APPLIANCE (SEE FLOOR PROTECTION DIMENSIONS)  
WARNING: IF INSTALLED AS FREESTANDING, UNIT MUST BE INSTALLED WITH LEGS OR PEDESTAL PROVIDED.  
DO NOT OBSTRUCT SPACE BENEATH HEATER.

**ELECTRICAL REQUIREMENTS:**  
120 VOLTS  
2.4 AMPS  
60 Hz  
ROUTE POWER CORD AWAY FROM UNIT

**INPUT RATING:**  
5.5 LB/HR



**INSERT CLEARANCES**  
A = 2" (50mm)  
B = 6" (150mm)  
C = 8" (205mm)  
D = 3" (75mm)  
E = 12" (305mm)  
F = 1.5" (38mm)

INSTALL AND USE IN A FACTORY-BUILT OR MASONRY FIREPLACE.  
DO NOT REMOVE BRICKS OR MORTAR FROM MASONRY FIREPLACE.  
USE A LISTED FLOOR PROTECTOR OR ANY EQUIVALENT NON-COMBUSTIBLE MATERIAL.



**CAUTION:** HOT WHILE IN OPERATION. DO NOT TOUCH. KEEP CHILDREN, CLOTHING, AND FURNITURE AWAY. CONTACT MAY CAUSE SKIN BURNS. SEE NAMEPLATE AND INSTRUCTIONS. OPERATE THIS UNIT ONLY WITH THE FUEL HOPPER LID CLOSED. FAILURE TO DO SO MAY RESULT IN EMISSION OF PRODUCTS OF COMBUSTION FROM THE HOPPER UNDER CERTAIN CONDITIONS. MAINTAIN HOPPER SEAL IN GOOD CONDITION. DO NOT OVER FILL THE HOPPER.

'09 '10 '11 '12 JAN FEB MAR APR MAY JUN JUL AUG SEP OCT NOV DEC

MADE IN U.S.A.

IGN

# AMERICAN ENERGY SYSTEMS INC. LIMITED PRODUCT WARRANTY

*This warranty is in effect on all products sold after 01/01/2009 and supersedes any and all warranties currently in existence.*

*Please keep a copy of this warranty for your personal records or in the event of a claim*

American Energy Systems Inc., hereinafter referred to as (AES), warrants to you, the original consumer purchaser, that this product is free from defects in material and workmanship for a period of five (5) years from the original purchase date minus any time past one (1) year from manufacturing date, and that the product's electrical parts and steel firepot, are free from defects in material and workmanship for a period of one (1) year from the original consumer purchase date minus any time past one (1) year from manufacturing date, and that the cast iron firepot models carry a lifetime warranty against defect in material or workmanship (excluding war page or deterioration), and that door glass carries a lifetime replacement warranty against heat breakage (does not cover accidental breakage). There is expressly no warranty on installation of product, any venting, grates, gaskets, door latches, insulation, ceramic or brick boards/logs/backing, paint, plated surfaces/doors/trim, baffles, bushings, bearings, auger flightings, war page or discoloration of steel or plated parts or any other normal wearing part. In the event the product fails to conform to this warranty, AES, through the place where you purchased the product or if purchased on the AES E-Com store directly through AES, will provide the parts and components necessary to remedy such nonconformity. **AES will not be responsible for any labor, mileage or freight cost to the factory under this warranty.** This warranty is not transferable.

In order to obtain performance under this warranty, you must (1) have registered this warranty within 30 days of purchase by completing and returning the warranty registration card or filling in the on-line warranty registration form at [www.magnumheat.com](http://www.magnumheat.com), and (2) promptly report the claimed nonconformity to your place of purchase, also providing your name, address, phone number, proof of purchase, date of purchase, the model and serial number of the stove, digital pictures of installation and venting inside and outside of the home, pictures of the claimed nonconformity part and the claimed nonconformity. **All claims must be submitted in writing to your place of purchase.**

AES shall have no warranty obligations if this product; (1) was not purchased from an authorized AES dealer; (2) was not installed by a AES dealer or other qualified installer; does not have outside combustion air hooked directly to the unit; (3) was not operated and maintained in strict accordance with the manufacturer's instructions, local or national codes or (4) was subject to abuse, misuse, negligence or accident. AES shall have no warranty obligation for damage caused by improper handling, freight damage (must be reported to freight provider), over-firing, unapproved fuel, variance in feed rates, variances in BTU output or the unauthorized disassembly or modification of the product. AES shall have no warranty obligation if this warranty is not timely registered, for claims which are not submitted through the selling AES dealer, or for claims submitted verbally or without the required information and documentation.

Before exercising this warranty, an AES representative (the place where the product was purchased or AES approved person) must inspect the part/unit to determine if the part/unit is defective. If a local AES representative is not available the original purchaser of the product must submit digital pictures of the part/unit, installation of the unit to AES at [technical@magnumheat.com](mailto:technical@magnumheat.com). If the inspection reveals that the failure is due to defective material or workmanship and the part is covered by the conditions of this warranty, AES will, at its option, repair the defective part/unit. The sole duty of AES and liability under this warranty is limited to the repair of the covered defective part/unit. The purchaser shall assume all costs related to shipping the replacement parts or return of the unit to the factory for repairs. If it is determined that the defect was caused by AES, AES will cover the costs of shipping the repaired part/unit to an AES approved shipping point. AES will not cover additional freight or delivery services such as residence delivery charges, special handling, etc.

**INSTALLATION, VENTING, REMOVAL OR REINSTALLATION COSTS ARE NOT COVERED BY THIS WARRANTY.**

THE WARRANTY PRINTED ABOVE IS THE ONLY WARRANTY APPLICABLE TO THE PRODUCT. ALL OTHER WARRANTIES, EXPRESSED OR IMPLIED, INCLUDING, WITHOUT LIMITATION, THE IMPLIED WARRANTIES OF MERCHANTABILITY AND FITNESS FOR A PARTICULAR PURPOSE, ARE DISCLAIMED. IT IS UNDERSTOOD AND AGREED THAT AES'S LIABILITY UNDER THIS WARRANTY SHALL BE LIMITED TO THE PROVISION OF REPLACEMENT PARTS AND SHALL NOT INCLUDE LIABILITY FOR SPECIAL, INCIDENTAL OR CONSEQUENTIAL DAMAGES. ANY ACTION BROUGHT UNDER THIS WARRANTY MUST BE BROUGHT WITHIN ONE YEAR OF THE ACCRUAL OF THE CAUSE OF ACTION AND MAY ONLY BE BROUGHT IN THE CIRCUIT COURT OF MCCLOUD COUNTY, MINNESOTA.

Some states do not allow limitations on how long an implied warranty lasts or the exclusion or limitation of incidental or consequential damage, so the above limitations may not apply to you. This warranty gives you specific legal rights, and you may also have other rights which vary from state to state.

ALL WARRANTY CLAIMS MUST BE SUBMITTED IN WRITING THROUGH THE PLACE WHERE THE PRODUCT WAS PURCHASED. In the event where the place of purchase has ceased business or if you feel that there is a legitimate reason that you cannot submit your claim to the place where the product was purchased you may make a written request to the factory by emailing your request along with all of the required information to [technical@magnumheat.com](mailto:technical@magnumheat.com). **NOTE: Verbal requests will not be recognized. If it is determined that warranty could have been performed by the place of purchase, the factory will deny the claim.**

Included with the claim must be the following information: (if this information is not complete, the claim will be denied)

Name, address, telephone number, email address, of place of business where product was purchased & also purchaser contact info.

Date of purchase, model and serial number of product, digital pictures of product (front, sides, back, venting inside and outside)

(If there is ductwork, there must be digital pictures of entire ductwork installation, static pressures, air flow measurements, and contact information of licensed/factory certified contractor that installed unit)

Nature of defect, what has been serviced (service record), who installed product along with contact information.

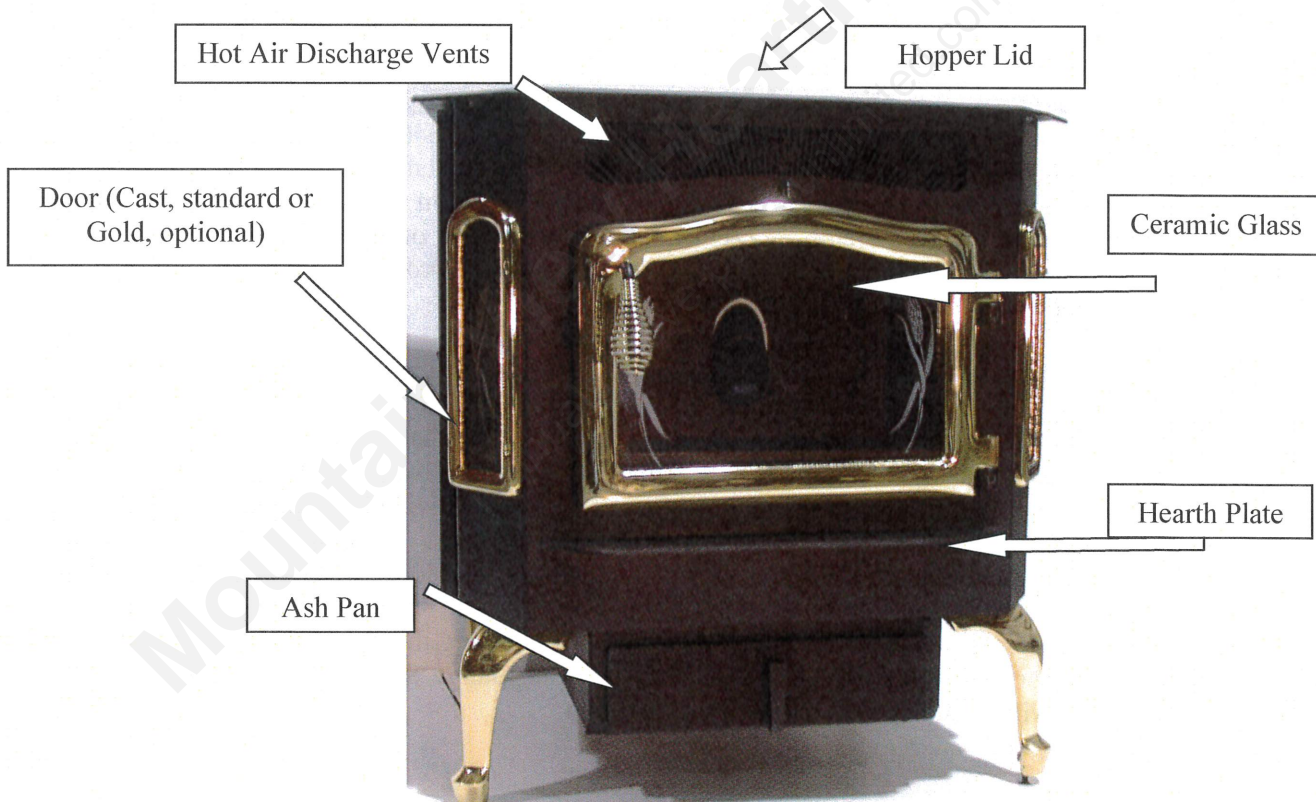
# THE HARVESTER OPERATION

## FEATURES

Country Flame designed and built the Harvester stove to burn 100% shelled corn. Unlike conventional pellet stoves, the Harvester is capable of handling larger amounts of ash. This means the Harvester can burn corn, while not being choked out by ash. Country Flame cannot support or warranty the burning of untested fuel or seed corn in the Harvester.

Before beginning to install or operate the Model HR-01 Harvester, please consult with the local building authority to obtain a permit. A certified professional should install this product. Before a homeowner operates this stove, a thorough operational understanding should be obtained from reading and understanding this manual. Failure to adhere to all safety notes and instructions contained herein can impact homeowner insurance, void warranty, and create hazardous situations leading to smoke damage, fire, or even death.

The Model HR-01 was designed as a freestanding leg model stove. The legs come in a variety of finishes. Contact American Energy Systems Inc. or one of its local authorized dealers to discuss and select product options. Once installed, the Harvester is remarkably simple and safe to operate. FIGURE 1, shown with optional gold legs, defines some of the Harvester components. From a relatively small firebox the Harvester generates a very beautiful flame with lots of heat being produced into the room where the unit is installed. A motor turns an auger that delivers fuel to the combustion chamber on a timed basis.



**FIGURE 1: HARVESTER MODEL HR-01 (corn agri-fuel)**

## SAFETY FEATURES

The Harvester comes standard with a number of advanced safety features; however, the first step in ensuring maximum safety is to install the stove properly according to all national and local codes. **The Harvester requires a fresh air supply.** This fresh air is used in the combustion process to achieve thorough burn of all fuel. The Harvester needs a sealed and properly designed “all fuel” vent system. This vent system will be

used to remove combustion gasses from the combustion chamber to outside the home. **REMEMBER:** one of the leading causes of house fires is due to improper installation or improper operation of a stove product. Proper installation and operation of the Harvester is required to obtain homeowner insurance coverage. And, the Harvester needs a reliable source of electrical power. Without reliable utility power or a means to ensure reliability, the Harvester operation will be problematic.

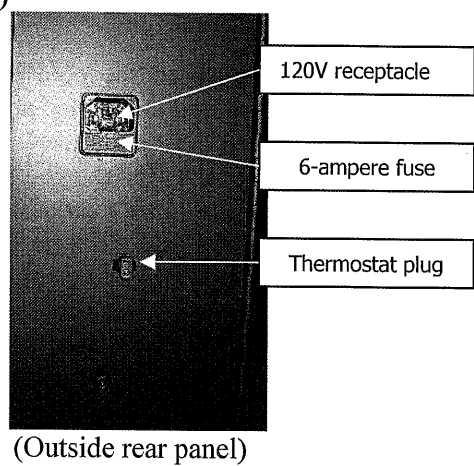
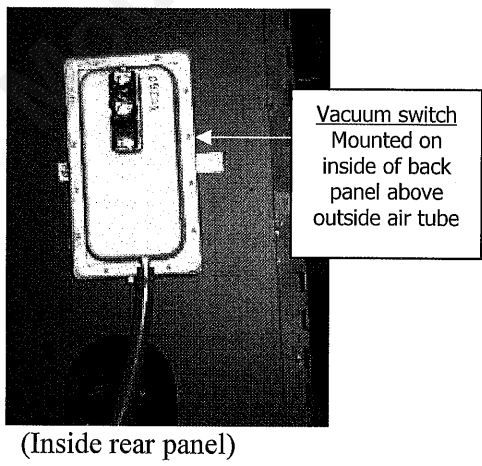
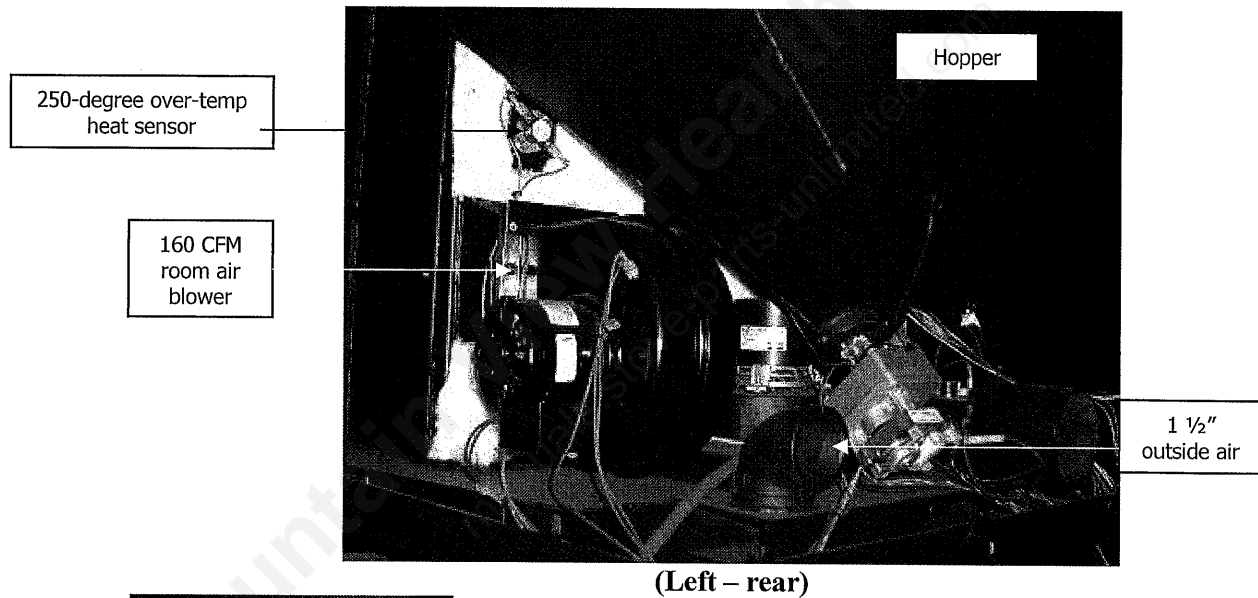
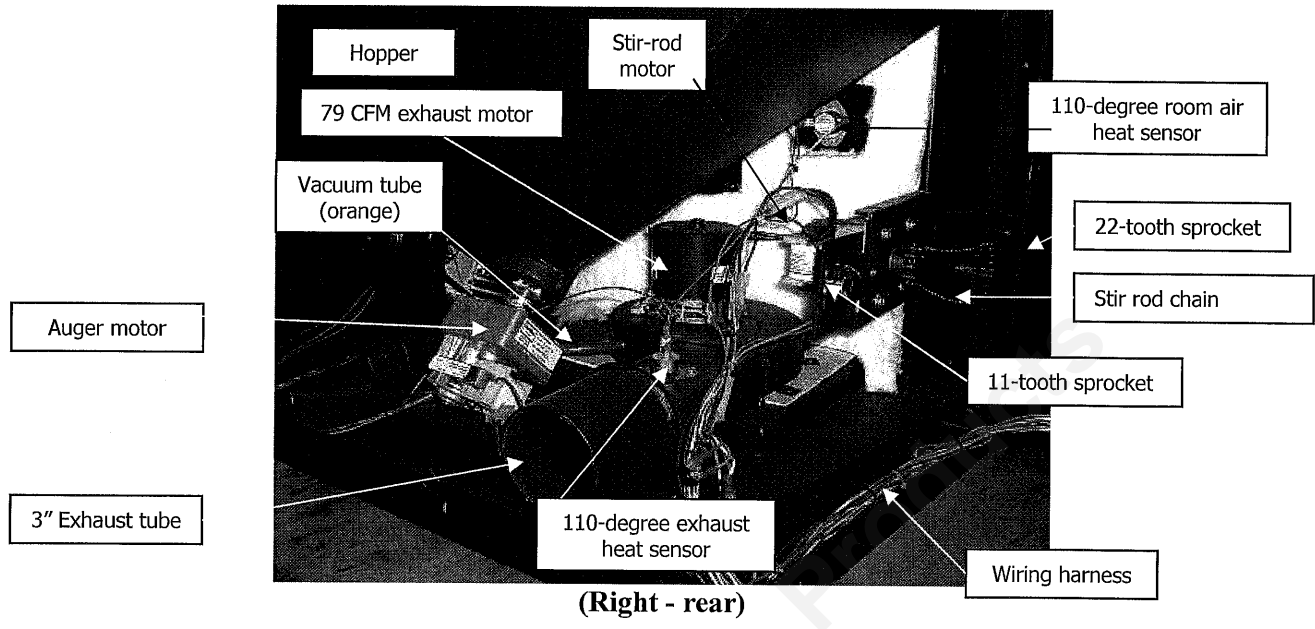
The second step to safe operation is for the homeowner to thoroughly understand the operating characteristics of the Harvester. More importantly, the operator needs to know how to control each one of the stove's operations. The Harvester has an electronic control system whose "brain" is constantly monitoring stove operations in order to optimize the fuel efficiency and heat output of this product. The Harvester's electronic control provides a simple one stop location for the homeowner to control Harvester performance and heat output. In order to ensure the safest operation, the Harvester's electronic control is constantly monitoring pressure and heat activated switches, and input power to ensure proper operation. Additional features include an enclosed firebox, high temperature ceramic glass, optional thermostatic control, a high temperature wiring harness, making the Harvester an extremely safe stove.

### **BATTERY BACKUP SYSTEMS**

The Country Flame Harvester Model HR-01, relies on electrical energy (wall power outlet) to properly operate. Without electrical energy or with interruptions to the source of electrical energy, the Harvester stove's operation will be erratic at best. Is power quality, power reliability, or routine winter storm conditions a cause of power problems in a specific locale? If it is, the homeowner will need to provide backup power to ensure stable operation of the Harvester. Fortunately, there are simple and reliable power backup solutions readily available. Today, a homeowner can choose from a variety of cost effective power conditioning systems from a number of reliable outlets today. For example, Home Depot, Best Buy, WalMart, or many other stores carry standard power conditioning equipment. Two good quality power conditioning equipment manufacturers are APC and TrippLite. Their uninterruptible power supplies (UPS) include the capability to handle power failures, brown outs, power surges, and line noise. UPS system cost is largely defined by the features included in the system. The amount of time (battery size) the system must operate before recharging occurs directly relates to cost. UPS systems are usually sold by the number of electrical outlets and the volt-amperes (watts, you need a minimum of 550) the system is rated to provide. FIGURE 2 provides a description of the major electrical and operational components.

What does the Harvester stove require from a UPS system in order to sustain proper operation during a power outage? To answer that question, the homeowner has to decide how long they want the Harvester to operate in the absence of utility power. At the same time, an inexpensive solution that will handle a large percentage of the issues would cost less than \$100 or more depending on model and features. This UPS product will operate a Harvester for close to an hour. This same UPS system should provide an audible, as well as visual alarm, to alert the homeowner to local utility interruptions or power outages. The homeowner can then make the decision to continue to operate the Harvester or shut it down until the local utility restores local power. Further, this UPS system will ensure that minor utility glitches do not cause "nuisance" shutdowns or faults in a Harvester stove. If a homeowner wants specific information concerning the size and quality of a specific battery backup system for their Harvester stove, contact American Energy Systems Inc. or one of its local authorized dealers who will assist in providing a specific solution.

**FIGURE 2: HARVESTER COMPONENTS**



## **FUEL REQUIREMENTS**

The Harvester Model HR-01 was designed to burn corn agri-fuel. Country Flame recommends number 2 yellow shelled corn be used as fuel. This corn's moisture content should be limited to no more than 14% moisture content. Country Flame recommends corn fuel moisture content be maintained somewhere in the range of 10% to 12%. **USING SEED CORN AS FUEL IS DANGEROUS TO OCCUPANTS AND BURNING SEED CORN VOIDS THE COUNTRY FLAME WARRANTY.**

## **HARVESTER STARTUP**

The first step in preparing the Harvester corn-burning stove is to remove it from its shipping crate. Ensure that all materials packed in the burn chamber have been removed and that the Gold (optional) door and its glass have been cleaned per enclosed instructions included in this manual.

### **NOTE:**

- (1) Failure to properly pre-clean the Gold (or any plated) door and the glass before lighting the first fire could permanently damage either or both of these items.
- (2) DO NOT burn seed corn as it is dangerous and voids the Country Flame warranty.

## **PRIMING**

If this is the first time that the Harvester has been burnt or the stove has run out of corn fuel from a previous burn, priming must be completed in order to fill the auger tube with corn fuel. The Harvester prime mode (with the new control system) can be entered by holding the on-off button (after the initial minute of startup) and hold it until fuel is dropping out of the auger for about 2 minutes. Once corn fuel starts dropping into the burn pot, the system should be shut off. Once priming is completed, the next step is to prepare the Harvester for burning.

## **FIRST FIRE**

Country Flame recommends using approved starter fuels & gel to start the Harvester Corn Stove. Fuel should be added in layers with igniter gel or igniter bricks sandwiched between the fuel inside the burn pot. It is important that the firebox has a hot fire going before corn fuel is fed into the burn pot. This hot fire is required due to the higher combustion temperatures required for corn fuel.

Starter fuel should be layered with igniter fluid at least level with the bottom of the stir pot arm inside the burn pot. Once the starter fuel and igniter material are layered in the burn pot, light the fuel, wait about a minute and then close the door. Then push the on button and the system is running. Monitor the fire until a good blaze has been established. (see section on control board operation later in this manual)

Based on the heat setting on the control board, the Harvester will automatically turn the stir rod at a predetermined rate to ensure turbulence and proper mixing of the fuel during the burn process. The stir rod will ensure that "clinkers" are minimized if not completely eliminated. In addition, the stir rod ensures that the fuel and flame are constantly agitated within the burn pot so as to ensure proper mixing with combustion air. The Harvester burn pot has been designed to ensure maximum efficiency of burn while minimizing the amount of ash being produced while at the same time minimizing the clinkers that can choke out a fire. Testing by Country Flame has shown that the unit can be operated for several days to up to two weeks without requiring cleaning depending on the type of fuel being burnt. It should be recognized that environmental variables as well as the type of fuel can have drastic effects on the amount of ash or clinkers formed during the burn cycle. Burn pot cleaning will depend upon the quality, quantity, and moisture content of the fuel. Ash removal will be required from time to time depending on the amount of usage and the heat desired. The Harvester stove should be shut down and cooled before cleaning or removing the ash pan.

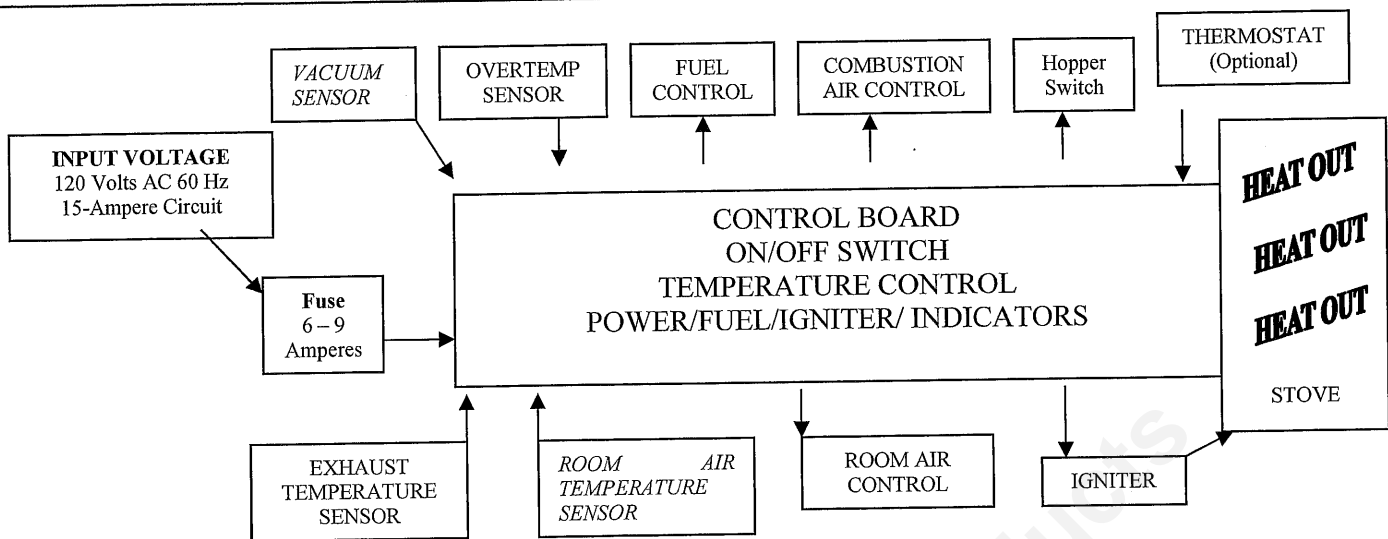
### **ASH REMOVAL**

The Harvester stove has an ash pan located on the underside of the firebox. Access to the Harvester ash pan is obtained below the ash lip at the bottom front of the stove. The door on the front of the ash box is a locking handle with a gasket seal. The seal provides an airtight fit and the locking handle ensure the ash door doesn't vibrate open. Lift up on the handle and make a ¼ turn to unlock the handle. Once the ash pan cover is pulled forward, lay the ash pan handle back against the face of the cover. This allows the ash pan cover to be lowered to the floor allowing easing removal of the ash pan itself.

Always remove ashes after they have been allowed to cool properly. Hot ash is dangerous to both surrounding areas and occupants and can cause fires or severe burns. Wait until the fire has been out for several hours before removing the ash pan. After the ash has been allowed to cool, remove the ash pan for cleaning. Protective gloves should be worn anytime the ash pan is removed. Dump the ash in a proper ash container and remove to a safe outdoors area. Remember that although the ash may look and feel cool to the touch, a smoldering ember can start a fire. **CAUTION:** Care should be used to store any ash in a proper container with an approved airtight lid. If ash is taken outside, water should be poured over the ash to ensure no fire flare up can occur.

### **CONTROL BOARD**

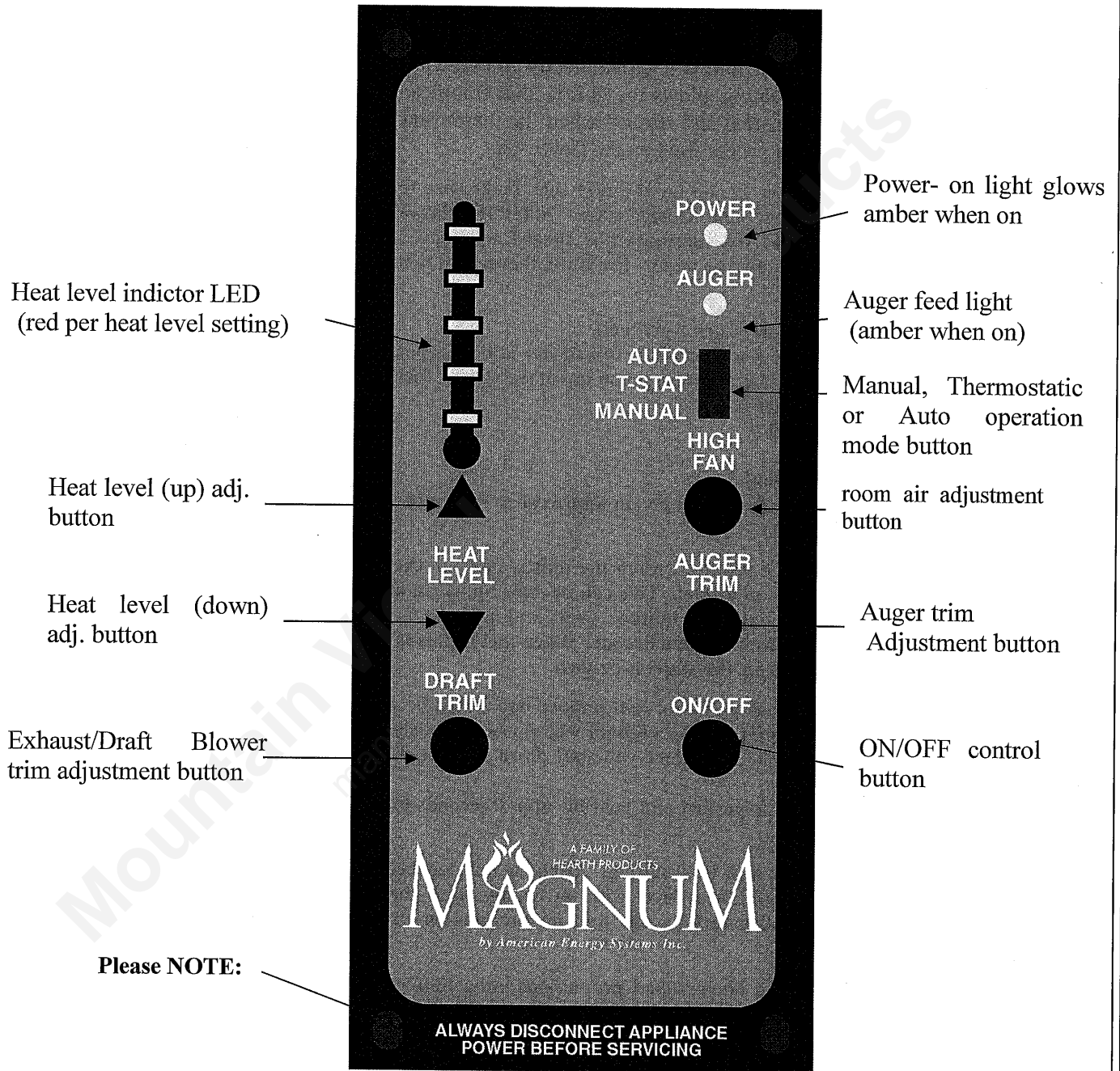
In 2011 American Energy Systems Inc. introduced BRAND NEW control board technology. This control board technology was introduced across all Country Flame product lines. American Energy Systems Inc. developed its own control board in order to enhance its product offering and provide better support to customers. American Energy Systems Inc. will seek to provide the most advanced controls while maintaining the look and feel distributors, dealers, and customers have come to know and expect. This also means a purchase of today's American Energy Systems Inc. product will provide an upgrade path for newer and more advanced technology if the customer chooses to obtain it. American Energy Systems Inc. is committed to its customer base. That means bringing enhancements that provide more heat and improved burn efficiency while lowering the cost of operation. American Energy Systems Inc. will strive to make the service support process easier through systematic troubleshooting procedures and repair events that should allow for evolving "plug n play" operations. FIGURE 3 depicts control board basic theory.



**FIGURE 3: CONTROL BOARD BLOCK DIAGRAM**

<b>Input Voltage</b>	Alternating Current (AC) Input provided by the local power company. This source of energy must provide a 120 Volt input signal with a frequency of 60 Hertz and a maximum branch current capacity of 15 Amperes. If other devices are connected to the branch, interference or over current may cause circuit breaker to trip.
<b>Fuse</b>	The AC fuse is a 6 amp FAST acting fuse (get from radio shack or similar)
<b>Vacuum Sensor</b>	Ensures that no blockage of the combustion input or combustion exhaust air occurs. If the vacuum sensor does not operate properly, the Control Board will not allow the stove to operate.
<b>Exhaust Temperature Sensor</b>	Presently, this sensor is a snap disk operating at 110° F +/- 20° F. This sensor ensures proper exhaust temperature has been reached and that a fire is present in the burn pot before the control system begins the burn cycle.
<b>Overtemp Sensor</b>	Presently, this sensor is a snap disk operating at 250° F +/- 20° F. The purpose of this sensor is to shut the entire system down in the event the firebox causes an overheat condition.
<b>Fuel Control</b>	The fuel control is a signal provided from the Control Board to the Auger Feed Motor. The Control Board controls the amount of time that the Auger Feed Motor is on and thereby controls the amount of fuel fed to the fire pot.
<b>Room Air Control</b>	The room air control is a signal provided from the Control Board to the Room Air Fan. The Control Board controls the phase angle and thereby the amount and time an AC voltage is applied to the Room Air Fan. This signal controls the speed of the room air passing over the heat exchanger tubes and the amount of heat delivered to the living space.
<b>Combustion Air Control</b>	The combustion air control is a signal provided from the Control Board to the Combustion Fan. The Control Board controls the phase angle and thereby the amount and time an AC voltage is applied to the Combustion Air Fan. This signal controls the speed of the combustion air passing through the burn pot for the different heat settings
<b>Igniter</b>	An AC heating element used to provide initial heat to the pellet combustion process. Once the Control Board senses combustion, the Igniter is shut off to conserve energy usage.
<b>Thermostat (optional)</b>	A thermostat input is provided on the back of each Country Flame product. The Control Board has individual personality modules that allow for stand-alone or semi automatic thermostat operation.

**FIGURE 4/5 Country Flame Control Board front panel. Each function of the Control Board is identified..**  
**NPS-1005-N-9 Control Center**



# OPERATING INSTRUCTIONS

(Harvester models do not have auto ignition so do not use AUTO mode)

**NOTE:** Each time the stove is started, the firepot should be checked for debris and clear air holes. Some fuels will cause the firepot to build up more frequently making it necessary to stir and clean the firepot more often. Do not allow ash to build up underneath the firepot.

Your control panel has three (3) separate modes of operation (switch located on top of board). The MANUAL setting allows the operator to choose heat level setting changes without a thermostat. The T-STAT setting allows the operator to set the high heat level setting and when the thermostat is satisfied, the unit will automatically go to the low heat level setting. The AUTO setting allows the unit to shut completely off when the thermostat is satisfied and re-start when the thermostat calls for heat. The AUTO setting is not used on the Harvester.

Before lighting your Country Flame for the first time make sure that all items are out of the hopper and firebox area. Note: If using a wall thermostat, make sure that the thermostat is turned up above room temperature. The unit will operate on low fire if the thermostat is turned down.

- ✓ Load the hopper with fuel (Corn Agri-fuel).
- ✓ Place a small handful of wood pellets or fire starter in the firepot.
- ✓ Squirt a small amount of fire starter gel on top of the starter fuel. (Evenly across the starter fuel)
- ✓ Light the fire starter gel.
- ✓ Close the door
- ✓ Push the "On/Off" button.
- ✓ Turn the air intake butterfly damper to approximately ¼ inch open. (More or less as needed.)

**NOTE:** Priming the auger is required when the unit is new or when the hopper has completely run out of fuel. This can be done approximately 1 minute after pushing the on/off start button. Press and hold the "auger" button until fuel begins to drop into the firepot. When fuel begins to drop regularly, release auger button, the auger is primed.

**NOTE:** The viewing door, ash pan door and hopper door must be closed and/or latched during operation or the vacuum will not be established. If vacuum can not be established the stove will shut down and the #2 heat level setting light will blink.

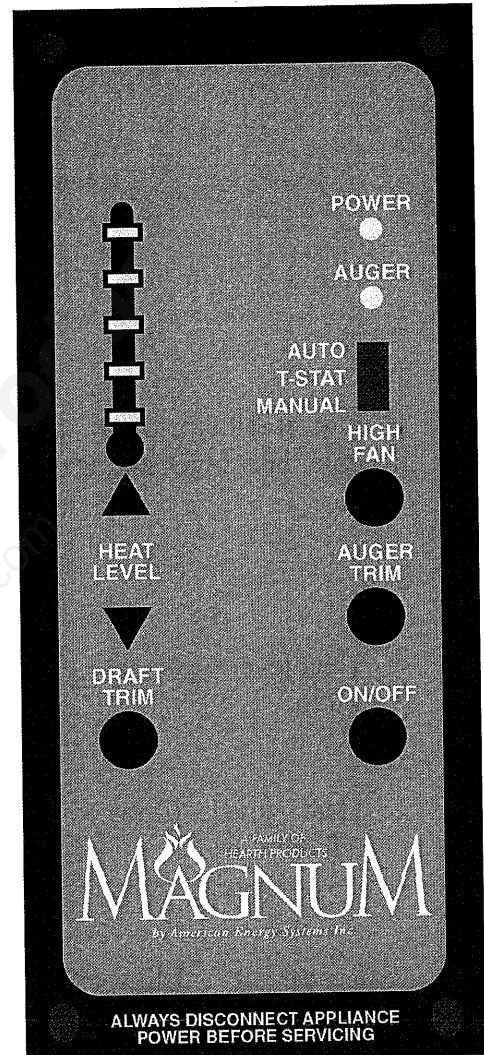
The ON/OFF button must be pushed and held for app. 6 seconds to reset the system.

The unit starts on a pre-set heat level setting. After the unit has been turned on you may select the desired heat level. However, the feed rate heat level will not change until the unit has completed the 15 minute startup sequence. It is recommended to burn the unit on the number #2 or #3 heat level setting for the first 30-45 minutes.

If the fire temperature has not reached proper operating temperature within the minimum cycle time (15 min.) the auger will stop feeding, the stove will shut down and the #3 heat level setting light will blink. You will need to press and hold the ON/OFF button for 6 seconds to start the cycle over again. If the system is set on auto start it will attempt two startups on its own.

The draft and room air blower speed varies directly with the feed rate. The "Draft Trim" button will override the variable fan function +/- 5 volts on all heat levels. To override, press and hold the "Draft Trim" button along with the heat level button arrow up or heat level button arrow down, depending on desired change.

The auger feed rate on each setting is pre-programmed but may be changed if necessary. The "Auger Trim" button will override the programmed feed rates by +/-5% on all heat levels. To override the feed rate press



and hold the 'Auger Trim' button along with the heat level button arrow up or heat level button arrow down, depending on desired change.

**NOTE: In case of a power outage or interruption lasting longer than 5 seconds, the "On/Off" button must be pushed to re-engage the auger. If needed re-light the unit.**

NOTE: If the fire is burning too fast and the fuel is being burned up too quickly, turn the air intake butterfly damper closed a little to slow the fire down. This should be done in small 1/4" increments so that the fire doesn't change too quickly. You may also adjust the draft and auger trim to balance the burn rate.

NOTE: When changing the heat levels there will be a delay so the system can complete the cycle before switching to the new heat level.

**NOTE: In case of a power outage, the pressure switch has tripped, the door has been opened, the hopper door has been left open or any power interruption lasting longer than 5 seconds, the "On/Off" button must be pushed and held for app. 6 seconds (or until you here a click) to re-engage the auger system.**

**IMPORTANT: The circuit board will not function properly if the outlet is not a constant 120 volt, 60 cycle power source. The outlet must be grounded properly and have the correct polarity. A polarity and ground tester can be picked up at any hardware store to assure proper operation. If you are using a power generator, solar power or wind generation make sure that you have a constant correct power source.**

The unit's electrical warranty would become void if a constant power source is not available. Also make sure that a proper surge protector is between the unit and the power source. The circuit board will not be warranted if there is not a surge protector installed to the unit.

It is strongly recommended that you unplug the power source during times when the unit is not being operated to protect the unit from power surges, power spikes and drops in power. It is very common for a circuit board to work when the unit is shut off in the spring and then won't work in the fall. Unplugging the unit will prevent this from happening.

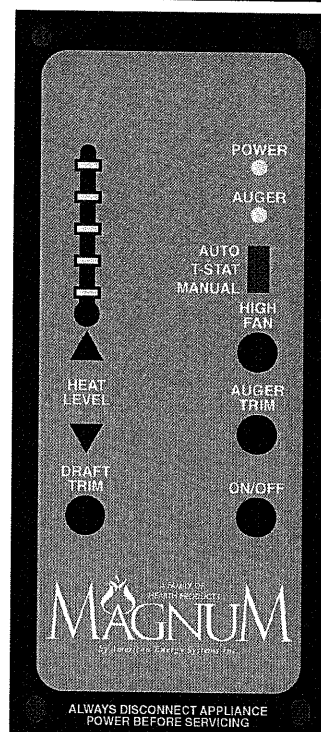
Before starting the Country Flame unit again, it is important to remember to clean out the firepot, empty the ashes, clean out the heat exchangers, vacuum out the hopper if needed and fill the hopper with fuel.

## Basic Circuit Board Functions (expanded)/Diagnostics Operation (NPS-1005-N-9 model)

The ON/OFF button initiates the start of the circuit board and the shut down of the board. Pushing the ON/OFF button momentarily will engage the start up sequence. The ON/OFF button also is used to re-set the board when the vacuum switch or proof of fire switch is tripped. Pushing the ON/OFF button until the board re-sets (usually 6-7 seconds) will re-establish the system and the fire will continue unless there is a failure in the electrical components.

When you push the ON/OFF button to start the unit, power light will be on and the start up sequence will take approx. 12-15 min. During the start up sequence, the fuel level setting will be over ridden and the unit will feed at the pre-set fuel rate setting. After the start up sequence has been established (approx. 12-15 min.) the unit will run at whatever fuel level setting you selected. The number #2 or #3 heat level setting is recommended for the 1<sup>st</sup> 30-45 minutes.

The auger light will flash when the auger is running. On the wood setting the auger will start right away. If on the corn setting there is a (2) minute delay prior to starting. You can hold the auger button down to override the system and



manually prime the auger.

The room fan button will override the # 1 heat level setting fan speed and go to high speed. This will not change the fan speed on the #2 - #5 heat level settings.

The auger trim button allows for a low/high fuel setting fine tune adjustment on the all 5 settings. When pushing the auger trim button select either the heat level up button or heat level down button depending on the fine tune requirements.

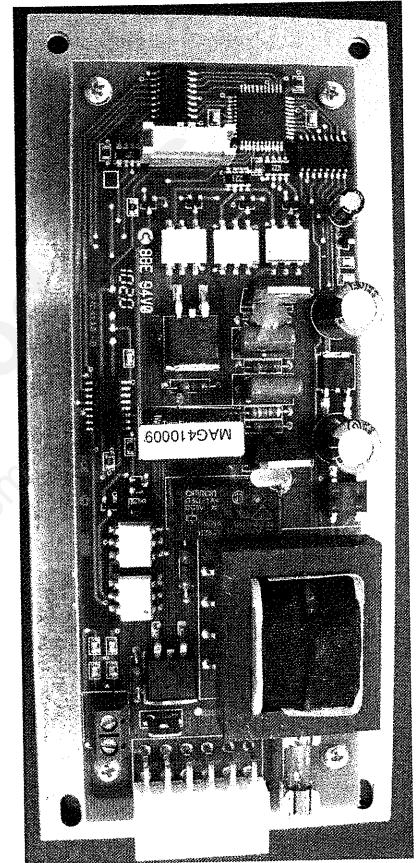
The draft trim allows for a low/high setting fan speed and go to a lower or higher setting depending on requirements. When pushing the draft trim button select either the heat level up button or the heat level down button to fine tune fan speed.

The heat level setting button is a manual heat adjustment. Pushing the heat level setting button will advance the heat settings one level each time that it is pushed. The LED light will show which heat level setting the unit is on. At start up, regardless of where the heat level setting button is set, the unit will feed on the pre-set heat level setting. Once the start up sequence has been established, the fuel feed rate setting will run at whatever fuel level setting you selected.

During a short power outage, the board will detect if the proof of fire switch is engaged. If it is still engaged (closed) the unit will auto re-start.

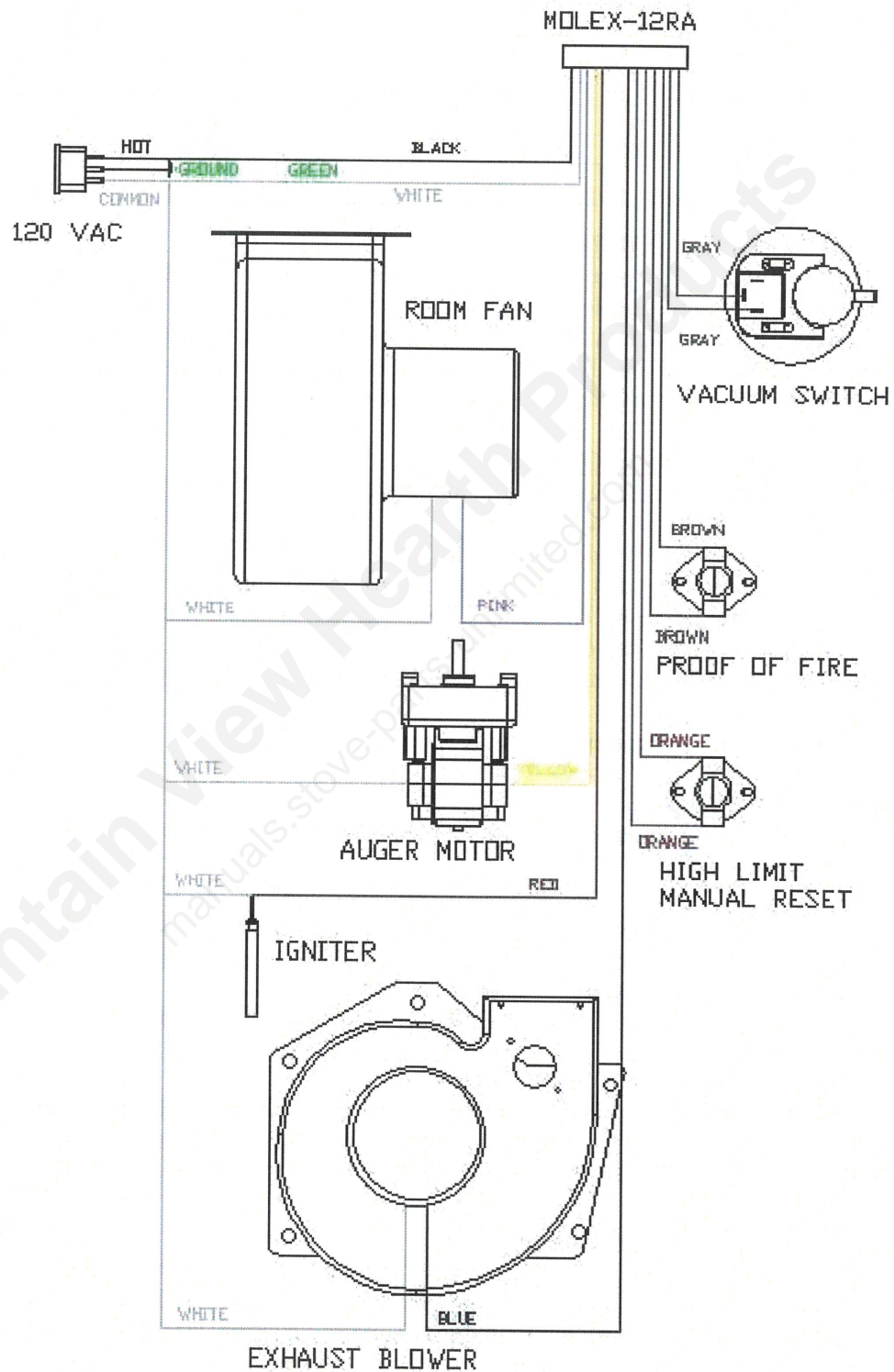
#### Shutdown

**To shut the unit down, simply press the On/Off button. The room fan and exhaust blower will continue to operate until the low limit/cool down sensor tells it that the fire is out. At that point the exhaust fan will continue to run for an additional 15 minutes to make sure there is no exhaust in stove.**



# AC MODEL WIRING DIAGRAM

WARNING: DISCONNECT POWER BEFORE SERVICING THIS UNIT.



## **STOVE SPECIFICATIONS**

<b>HARVESTER</b>	<b>DIMENSIONS (IN INCHES)</b>
STOVE HEIGHT	22.75 “
STOVE DEPTH	24.50 “
STOVE WIDTH (Rear)	25.50 “
STOVE WIDTH (Widest Point)	30.75 “
STOVE HEIGHT (With Pedestal)	33.75 ”
STOVE HEIGHT (On Legs)	31.25”
STOVE WEIGHT	400 pounds
SHROUD WIDTH	Not Applicable
SHROUD HEIGHT	Not Applicable

**TABLE 1: HARVESTER, HR-O1 SPECIFICATIONS**

### **ELECTRICAL REQUIREMENTS**

The Harvester Model HR-01 requires a UL Approved dedicated home electrical outlet rated at a minimum of 120 volts at 60 hertz and capable of delivering 15 amperes. Although the Harvester draws only a fraction (much less than 6 amperes on average) of the 15 amperes rating, it is recommended that a dedicated circuit versus a branch electrical circuit be provided for the stove. Refer to the section on battery backup systems for additional information on Harvester electrical requirements.

### **PLATED (Gold or Nickel) DOOR CARE**

The Harvester gold or nickel plated door should be wiped down BEFORE THE FIRST FIRE and on a regularly basis to ensure that the luster and beauty of the door lasts the life of the stove. Always use an approved glass cleaner (i.e. Windex, Glass Plus) and a lint free soft cloth to polish the doorframe. DO NOT use any abrasives, like steel wool, brass polish, cleaners, like Comet, or other household cleaners. If improper cleaners are used, the Harvester door can be permanently scratched and the finish ruined. A damaged door can be returned to Country Flame for refinishing but repair is expensive. Proper care of the Harvester plated door and other plated trim will ensure these parts will survive a lifetime of use.

A painted Harvester door requires no specific care.

### **OPTIONAL FEATURES**

There is an ever growing list of options for Country Flame stove products, including the Harvester. Some of the Harvester options include:

- a) Optional Queen Ann Legs (various plating options or various painted options)
- b) Optional Cast Doors (various plating options or various painted options)
- c) Optional Thermostat system.
- d) Replacements parts are listed in an Appendix in this manual.

### **OPTIONAL THERMOSTAT OPERATION**

A thermostat option is available for the Harvester. Once installed, the thermostat option will adjust the Harvester burn between Heat #1 (thermostat calls for no heat) and somewhere between Heat#1 and Heat #5 setting (thermostat calls for heat), depending on what homeowner has on set control board.

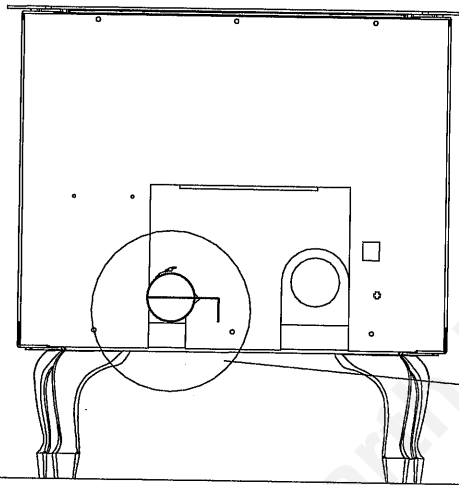
### **CHANGE HEAT LEVEL (thermostat active)**

- When the homeowner changes the control board heat level setting, while the thermostat is active (calling for heat,) the new setting becomes the new thermostat (call for heat) setting. The stove will move to that heat setting anytime the thermostat calls for heat. Otherwise, when the thermostat no longer calls for heat, the control board sets the stove to Heat #1.
- If the operator changes the heat level to 1 while the thermostat is calling for heat, it will become the new Thermostat Heat Level. But because this is the same setting as when the thermostat stops calling for heat, the operator will get no indication that the thermostat is in control of the stove.

### **CHANGE HEAT LEVEL (thermostat inactive)**

- If the operator makes a change to the heat level while the stove is inactive, the stove will move to that level. The next time the thermostat calls for heat, the most recently programmed heat level will become the Thermostat Heat Level and the stove will operate at that point until the thermostat no longer calls for heat.

**REAR VIEW**



The newer HR-01 models have the 3" air shutter on the back of the unit for adjusting the fresh air. Connect your fresh air from outside to the back of the stove for optimal performance.

When starting the appliance have the air shutter about  $\frac{1}{4}$  open and then open it app.  $\frac{1}{3}$  to half open for full burn. Opening the shutter wide open might trip the vacuum sensor if the home or the unit venting system is not balanced correctly.

**FIGURE 9: HARVESTER COMBUSTION FRESH AIR CONTROL**

### **COMBUSTION FRESH AIR CONTROL**

Combustion fresh air can be controlled on the Harvester. This optional control assists in optimizing the burn rate of different corn fuels. All air entering the firebox is controlled by the fresh air control system. To ensure no air leakage or air infiltration into your home when the Harvester Stove is not in use; the combustion air control lever should be kept in its closed position.

# INSTALLATION

## INSTALLATION PREPARATION

The first step is to ensure the Harvester has been installed properly. Improper installation will create long-term operational and maintenance problems that will plague the homeowner until corrected. If an exhaust vent system is run over ten feet, Country Flame recommends a four-inch versus three-inch vent pipe be used in the exhaust vent system. The basic installation system should include a clean out T, a wall thimble, an exhaust system cap (such as a jet cap) and various lengths of double walled vent pipe.

## STOVE CLEARANCES

The Harvester minimum clearances must be maintained during installation. Failure to maintain proper clearances can create a hazardous environment that will lead to a house fire or endanger the occupants. A stove that is installed correctly and maintained properly will minimize operating costs. Country Flame recommends the use of a Hearth Industry Professional that is certified to install pellet-burning products. Check with the local dealer or contact Country Flame if there is any question about the installation, the installer, or the product being installed. Maintain the clearances shown in FIGURE 10. Follow the chimney manufacturer's installation instructions when installing the chimney system. Inevitably there will be differences between the chimney manufacturer and Country Flame's stove clearances. Always utilize the largest clearance listed. Contact Country Flame or one of its local authorized dealers to resolve any questions.

## MINIMUM CLEARANCES

TABLE 2 provides clearances for a Harvester installation using type L/type PL corn/pellet stove pipe.

CLEARANCE TO COMBUSTIBLES	TYPE L OR TYPE PL VENT PIPE
A. SIDEWALL TO UNIT	2"
B. BACK WALL TO UNIT	1"
C. CORNER TO UNIT	1"
D. SIDEWALL TO CONNECTOR	3"
E. BACK WALL TO CONNECTOR	3"
F. CORNER TO CONNECTOR	3"

TABLE 2: REQUIRED CLEARANCES

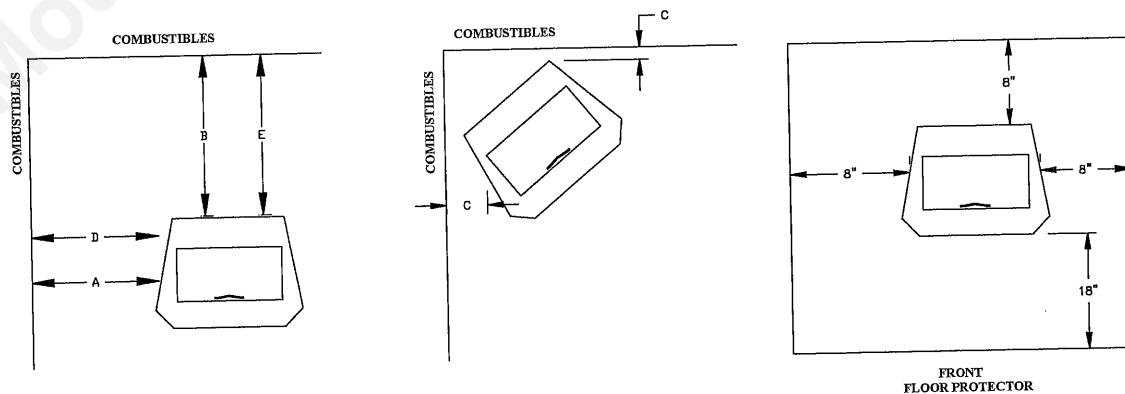


FIGURE 10: FREESTANDING CLEARANCE REQUIREMENTS

## **VENT SYSTEMS**

A Harvester must be vented into a non defective, clean, and properly lined masonry chimney or must be installed using any one of a number of different manufacturer's factory-built vent pipe product.

**If a masonry chimney system is used, it must conform to all local building codes and must be properly lined with an approved corn (all fuel) stainless steel liner.**

## **FACTORY-BUILT CHIMNEY**

The Harvester can utilize factory-built vent systems from a number of different manufacturers either in 3" or 4" diameter depending on installed lengths. All Harvester vent systems must be Type L or Type PL rated vent and tested as well as listed to UL Standard 641.

Freestanding clearances are listed in TABLE 2 and must be maintained. If local code allows, these distances can be reduced when acceptable shielding is provided. Consult a local code authority and certified installer to ensure that a specific installation meets proper code. The following recommendations should be adhered to:

- a) Do not install damaged parts and do not mix and match manufacturer's parts.
- b) If a vent system must pass through ceilings or walls, make sure all combustible materials and building installation products are a minimum of 3" away from the vent pipe.
- c) When vent systems exit through walls, make sure NFPA rules are followed for distances from windows and openings.
- d) Ensure good workmanship is maintained during vent system installation.
- e) Never use a vent system with an inside diameter that is smaller than the Harvester flue outlet.
- f) When vent systems pass through a ceiling, use a Firestop/Support assembly.
- g) Use 1/4" sheet metal screws to secure locking vent system joints along with RTV and tape.
- h) Never penetrate the inner lining of a vent system with any screws.
- i) Never install single-wall pipe to a Harvester.
- j) Single wall pipe can only be used as a liner in a masonry fireplace.
- k) DO NOT connect B-vent pipe with aluminum liners to vent a Harvester.
- l) The use of pellet or corn fuel does not eliminate the need for regular inspections and cleaning.
- m) Always follow the vent system manufacturer's installation instructions.

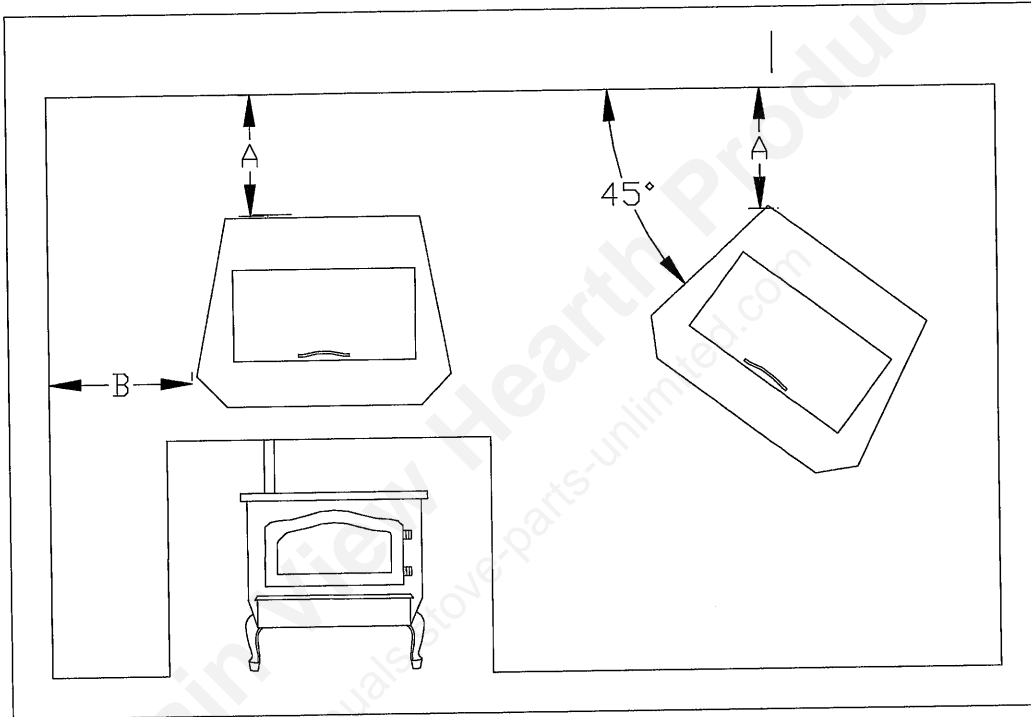
## **MASONRY BUILT CHIMNEY**

Before connecting this Harvester to a specific chimney, be sure to have the chimney inspected by a chimney professional and cleaned, if necessary. Once cleaned, assuming the masonry chimney is of larger diameter than required by the Harvester, a full stainless steel liner will need to be installed. This liner will need to be free from cracks, deterioration, softening, or other damage that may prevent it from containing the byproducts of combustion.

**CAUTION:** When installation requires connection from a Harvester flue through a combustible wall to a masonry chimney a UL Listed wall thimble (wall penetration system) must be utilized. Always conform to local codes, utilize a professional installer, and ensure a proper vent system be utilized with a Harvester installation. Country Flame recommends the use of smoke and carbon monoxide detectors when installing a Harvester.

**ALCOVE INSTALLATION**

All freestanding Harvester stove models are approved for alcove installation using double-wall Type L or Type PL UL listed vent systems. An alcove must not be greater than four feet deep as measured from the alcove face wall to the alcove back wall. In addition, the alcove must have at least seven feet of clearance when measured from the floor to the alcove ceiling. In an alcove installation, side clearances of fourteen inches from the stove to combustibles and rear clearances of six inches from the stove to combustibles must be maintained as a minimum. Alcove clearances require the use of listed UL 641 Type L or type PL vent systems. Contact a certified installer or local building inspector to obtain information on any local code requirements for such installation.



**FIGURE 11: ALCOVE CLEARANCES**

MODEL	A	B	C	D
HARVESTER	3	12	5	42

**TABLE 3: ALCOVE CLEARANCES, IN INCHES**

## FLOOR PROTECTION REQUIREMENTS

1. All Country Flame freestanding Harvester stoves require a listed floor protector that is noncombustible. Country Flame Harvester stoves were tested with a listed floor protection that had an R-value equal to or greater than 1.5. Ensure that any floor protection equals or exceeds  $R = 1.5$  or greater. Refer to FIGURE 10 for floor protector clearance requirements.
2. If a floor protector, different from the tested floor protector, is to be used, it must meet or exceed the requirements of the listed R-value of the tested floor protector. To convert alternate floor protectors to their respective R value use the following procedures:
  - a. Convert floor material specification to R-value.
    - i. R-value is given – no conversion is required.
    - ii. k-factor is given with required thickness (T) in inches:  $R = (1/k) \times T$ .
    - iii. C-factor given:  $R = 1/C$ .
  - b. Determine the R-value of the proposed alternate floor protector.
    - i. Use the formulas provided in STEP 2a to convert values not expressed as “R.”
    - ii. For multiple layers of material, add each R-value of each layer to determine the materials overall R-Value.
  - c. If the overall R-value of the alternate material is greater than the R-value tested material defined in STEP 1, then the alternate floor protection is acceptable.
  - d. **EXAMPLE:**
    - i. The tested material was  $\frac{3}{4}$ -inch thick with a k-factor of 0.84.
    - ii. The R-value of the tested material was  $R = (1/0.84) \times \frac{3}{4} = 0.893$ .
    - iii. The proposed alternative floor protector is 4-inch brick material with a C-factor of 1.25 over 1/8-inch mineral board with k-factor of .29.
    - iv. The 4-inch brick material has a value of  $R_{\text{brick}} = (1/1.25) = 0.80$ .
    - v. The mineral board has a value of  $R_{\text{mnbrd}} = 1/0.29 \times 0.125 = 0.431$
    - vi. Total  $R_{\text{brick}} + R_{\text{mnbrd}} = 0.80 + 0.431 = 1.231$ .
    - vii. Since the total R-value of the alternate example floor protector ( $R=1.231$ ) is greater than the tested example floor protector ( $R=0.893$ ), the alternate is acceptable.
3. Listed Floor Protector Definitions:
  - a. Thermal Conductance =  $C = \text{Btu}/(\text{hr})(\text{ft}^2)(^{\circ}\text{F}) = \text{W}/(\text{m}^2)(^{\circ}\text{K})$
  - b. Thermal Conductivity =  $k = (\text{Btu})(\text{inch})/(\text{hr})(\text{ft}^2)(^{\circ}\text{F}) = \text{W}/(\text{m})(^{\circ}\text{K}) = \text{Btu}/(\text{hr})(\text{ft})(^{\circ}\text{F})$
  - c. Thermal Resistance =  $R = (\text{ft}^2)(\text{hr})(^{\circ}\text{F})/\text{Btu} = (\text{m}^2)(^{\circ}\text{K})/\text{W}$
4. Install in accordance with 24 CFR, Part 3280 (HUD).
5. **WARNING:** Harvester stoves must always be placed on a listed floor protector if the existing floor where the stove is to be placed is made of any combustible material. ***IF THE AREA WHERE THE STOVE IS TO BE PLACED IS CARPETED, THE CARPET MUST BE REMOVED. A LISTED FLOOR PROTECTOR IS NEVER TO BE PLACED ON CARPET. CHECK LOCAL CODES FOR ADDITIONAL CARPET RESTRICTIONS AND FLOOR PROTECTION REQUIREMENTS.***

## PELLET (ALL FUEL) VENT SYSTEMS

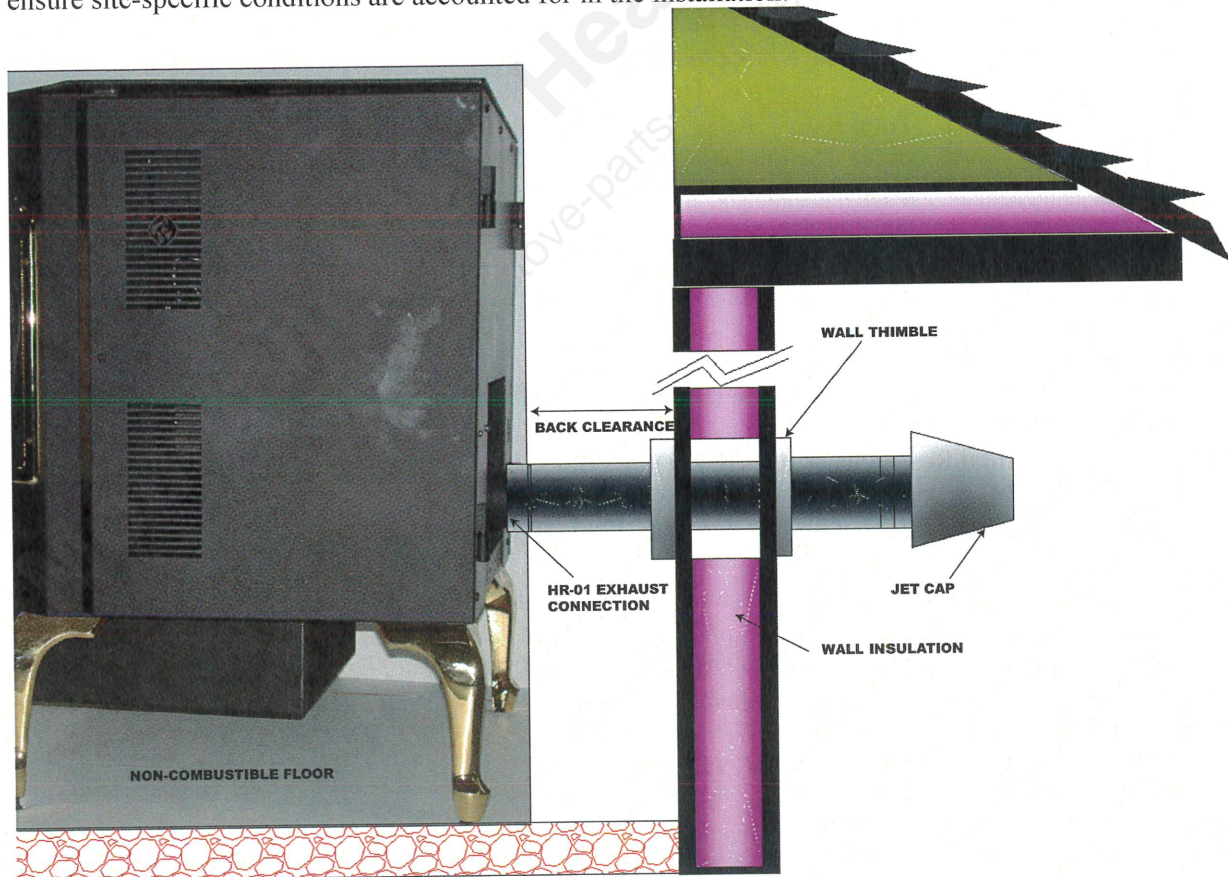
Harvester installations requiring a connection from the product through a combustible wall require either a UL Listed thimble (wall penetration assembly) or other methods as outlined in the National Fire Protection Association (NFPA) Standard 211. Corn (all fuel) vent system installations fall into 3 basic categories:

- 1) Direct Vent Installation
- 2) Flexible Liner Vent Installation
- 3) Vertical (inside or outside) Vent Installation

All Corn Agri-fuel vent system installations must conform to the following basic requirements:

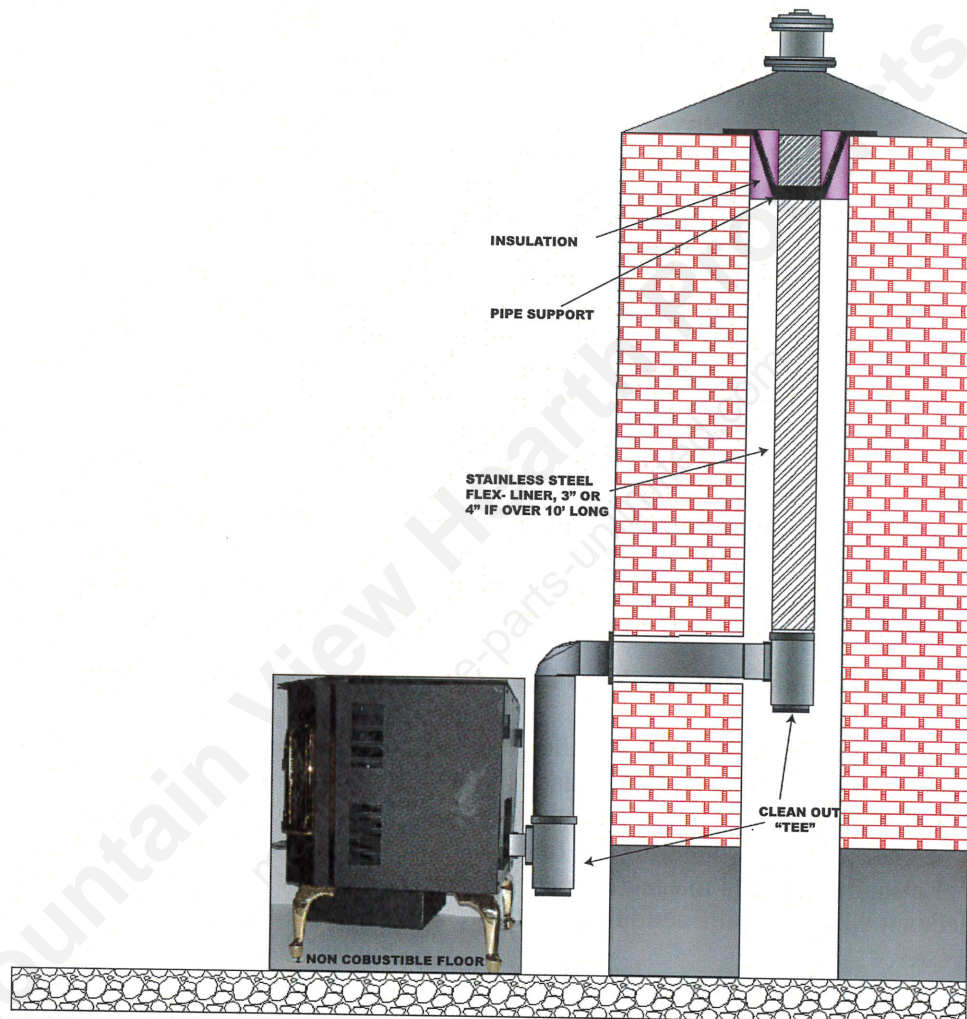
- a. Insulation material used in wall pass-through systems shall be noncombustible material and shall have a thermal conductivity of 1.0 Btu-in./hr-ft<sup>2</sup>-°F (4.88 kg-cal/hr-m<sup>2</sup>-°C) or less.
- b. All clearances and thicknesses are minimums; larger clearances shall be permitted.
- c. Any material used to close up an opening for the connector shall be of noncombustible material.

The installer should have significant experience and knowledge in corn vent system variations. To maintain your Country Flame Warranty, it is imperative that a certified installer complete an installation that best suits a site-specific application. FIGURES 12 through FIGURE 14 provide examples of combustible wall installations for residential heating appliances. These are ONLY EXAMPLES. During any installation, it is imperative to consult local code authority or an installation professional to ensure site-specific conditions are accounted for in the installation.



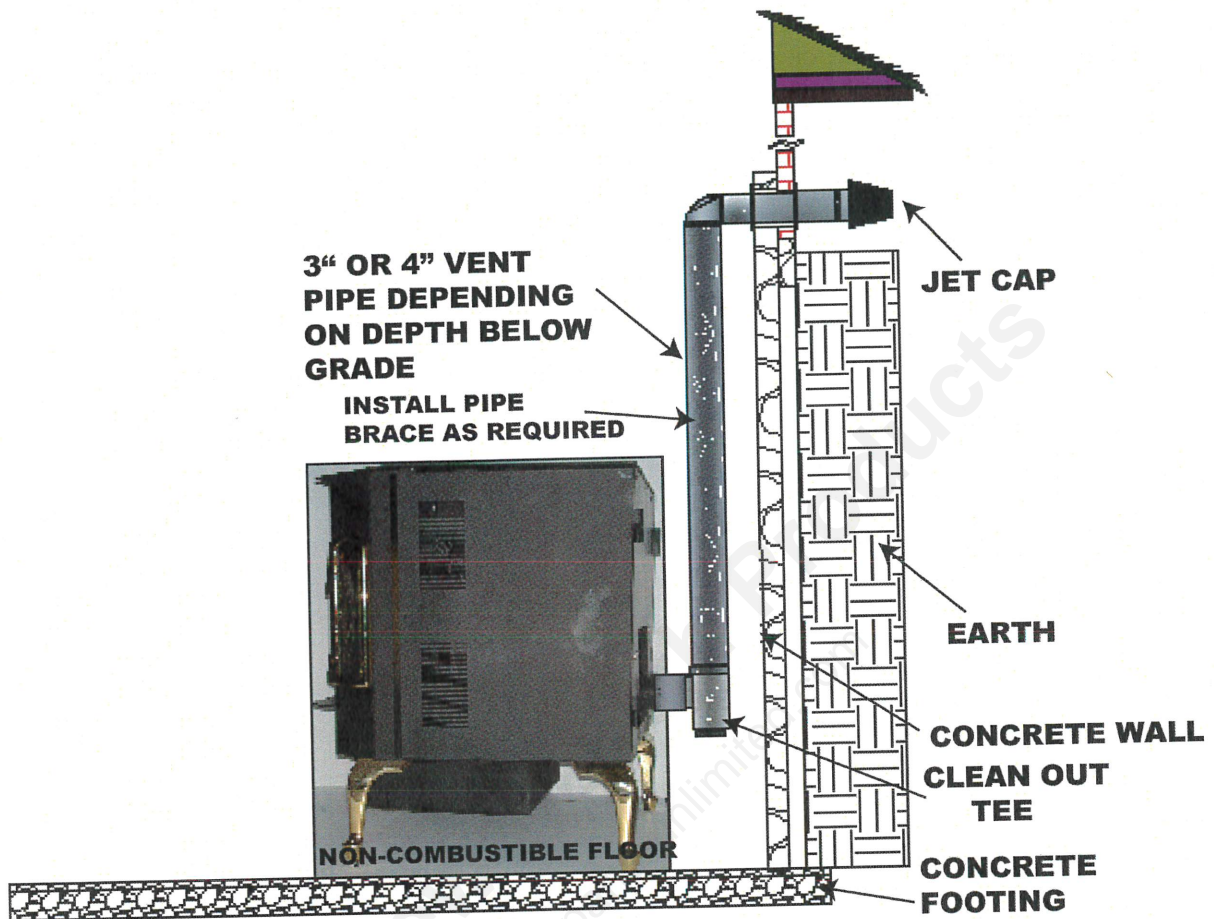
**FIGURE 12: DIRECT VENT SYSTEM INSTALLATION**

FIGURE 12 demonstrates a direct connect (simplest) vent system attached to a Country Flame Harvester. There are a number of critical factors that need to be considered when using the direct connect method. What is the clearance from the ground to the jet cap? What amount of snow (or drift) can be expected (anything blocking the exhaust will inhibit proper Harvester combustion?) What is the exterior covering on the house (combustible or non-combustible?) What are the prevailing wind directions (strong winds blowing directly into the exhaust pipe will cause combustion problems?) What is the ground covering around the jet cap (dry grass can be ignited from sparks causing a house fire?) Despite the direct connect low initial cost, improper planning can lead to expensive problems. Consult with a professional.



**FIGURE 13: FLEXIBLE LINER VENT SYSTEM INSTALLATION**

FIGURE 13 demonstrates a freestanding connection to an existing masonry fireplace chimney. The freestanding connection will require the use of at least one clean out tee located at the back of the Harvester. The diameter of the clean out tee pipe and other vent pipe will be determined by the length of overall pipe required in a specific application. In many cases an additional clean out tee will be required inside the chimney. Failure to provide clean out access to this kind of installation will require additional services of a certified chimney sweep. Chimney sweeps maintain the equipment necessary to professional clean a Harvester installation that does not provide clean out tees. A certified installer will take all site specific requirements into account when completing an installation for the homeowner.



**FIGURE 14: VERTICAL VENT SYSTEM (below grade) INSTALLATION**

FIGURE 14 demonstrates a Harvester installed below grade (such as in a non-walkout basement.) Do not substitute an elbow (of any angle) in place of the clean out tee shown in FIGURE 14. Use of an elbow will limit exhaust gasses and cause the combustion chamber to operate inefficiently. A clean out tee should be checked regularly during the first six months of use until the homeowner determines the frequency of cleaning required to ensure proper operation of the Harvester. A certified installer should take into account all site specific conditions that may impact the installation and operation of the below grade Harvester.

Type L or Type PL Pellet Vent systems, offered in 3" or 4" diameters, has been designed and approved for use in pellet and corn stoves and low temperature venting systems. Type L vents is rated for temperatures up to but not exceeding 570<sup>0</sup> F. Pellet venting systems feature a complete product line that includes wall thimbles for horizontal through-the-wall installations, support boxes for both flat and cathedral ceiling installations and even decorative wall thimbles and ceiling covers are available. Vent pipe is normally designed as double-wall, air-insulated or full insulated liner that provides superior performance and safety. Normally the inner wall is stainless steel; the exterior wall is galvalume steel that provides maximum heat and corrosion resistance.

Vent system installations should avoid long horizontal runs, excessive use of elbows or failing to provide for clean-out of the vent system. Be sure to use a pipe adapter that ensures a proper connection from the appliance to the vent system. Do NOT use a 90-degree elbow off the back of the Harvester.

Be fire safe and maintain proper clearances to all combustibles from a vent system. Always ensure proper bracing and support for the pellet vent system and verify and conform to all local building codes. Once installed, have the vent system inspected by a certified professional.

A chimney connector shall not pass through an attic, roof space, closet, floor, ceiling, or similar concealed space. Where passage through a wall or partition of combustible construction is desired or necessary, the installation shall conform to all national and local codes.

Whatever brand of vent system is used with a Harvester installation, a certified installer must ensure that all chimney manufacturers' installation instructions are followed and that all national and local codes have been met.

### **OUTSIDE AIR COMBUSTION**

It is imperative that the installer or homeowner ensures that a minimum of at least eight square inches (fifty square centimeters) of outside air be admitted to the hearth room or directly to the Harvester. If installation allows, the Harvester fresh air intake should be connected through an exterior wall.

Provision for outside combustion air may be necessary to ensure that fuel-burning appliances do not discharge byproducts of combustion into the house. Guidelines to determine the need for additional combustion air may not be adequate for every situation. If in doubt, it is advisable to provide outside air.

Outside combustion air may be required if:

1. The Harvester does not draw steadily, smoke rollout occurs, fuel burns poorly, or back-drafts occur whether or not combustion is present.
2. Existing fuel-fired equipment in the house, such as fireplaces or other heating appliances smell, do not operate properly, suffer smoke rollout when opened, or back-draft occurs whether or not combustion is present.
3. The home is equipped with a well-sealed vapor barrier and tight fitting windows or has any powered devices that exhaust house air.
4. There is excessive condensation on home windows in the winter.
5. A ventilation system is installed in the house.
6. Local energy codes require it, the factory require it or the vacuum sensor is tripping.

If any of these or other indicators suggests that infiltration air is inadequate, additional combustion air should be provided from the outdoors to the Harvester appliance. Outside combustion air can be provided to the appliance by the following means:

1. Direct connection: appliances can only use direct connection of outside combustion air if they are certified for this type installation. Follow the Harvester instructions for direct connection of outside combustion air.
2. Indirect connection: for appliances not certified for direct connection of outside combustion air, outside air can be ducted to within twelve inches of the appliance.
3. Mechanical ventilation: if the house has a ventilation system (air change or heat recovery):
  - a. The ventilation system may be able to provide sufficient combustion make-up air for the Harvester appliance.
  - b. The homeowner should be informed that the ventilation system might need to be re-balanced by a ventilation technician after installation of the Harvester stove.

## MOBILE HOME INSTALLATION

**WARNING:** DO NOT INSTALL A COUNTRY FLAME FREESTANDING HARVESTER STOVE IN ANY MOBILE HOME SLEEPING ROOM.

**WARNING:** THE STRUCTURAL INTEGRITY OF THE FLOOR, WALL, CEILING AND ROOF MUST BE MAINTAINED DURING THE INSTALLATION OF A COUNTRY FLAME HARVESTER STOVE IN A MOBILE HOME.

**WARNING:** A FREESTANDING HARVESTER STOVE INSTALLED IN A MOBILE HOME MUST BE COMPLETED IN ACCORDANCE WITH 24 CFR, PART 3280 (HUD).

**WARNING:** A FREESTANDING HARVESTER STOVE MUST HAVE ITS LEGS OR PEDESTAL PERMANENTLY BOLTED TO THE FLOOR OF THE MOBILE HOME. FIGURE 10 shows a leg option installation and FIGURE 11 shows a pedestal option installation.

**WARNING:** A FREESTANDING HARVESTER STOVE MUST BE ELECTRICALLY GROUNDED TO THE STEEL FRAME OF A MOBILE HOME.

### MOBILE HOME RULES

1. Install only a HUD-approved laboratory tested stove in a mobile home. The freestanding Harvester is approved for use in mobile homes and is so certified on the metal tag affixed to the back of the stove. Install all Harvester stoves in accordance with 24 CFR, part 3280 (HUD).
2. A permanent (hard line) combustion fresh air duct system must be installed and connected from the outside of the mobile home directly to the combustion air inlet on an Harvester stove.
3. A Harvester stove must have a UL Listed prefabricated vent system installed in the mobile home. This chimney system must be properly connected and installed directly from the stove through the roof of the mobile home using only one manufacturer's chimney products. Do not deviate from the vent system manufacturer's installation instructions.
4. All mobile home Harvester installations or stove replacements require a permit to be obtained from the local code department and require, as a minimum, at least a final inspection before operation of the stove is authorized. Use only licensed contractors to perform the installation work. Further, an insurance representative should provide an approval document stating that the installation and inspection are in accordance with industry standards and therefore covered by the homeowner's insurance policy.

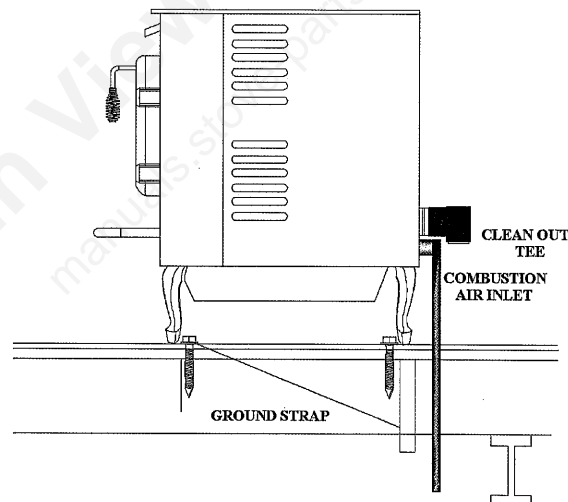
### MOBILE HOME CLEARANCES

1. Clearance is defined as the open space distance between any part of the stove or its vent system and any combustible material, including but not limited to: walls, ceilings, trim moldings, furniture, word storage containers, or any other combustible item. Refer to the stove clearance section of this manual or the certification tag on a stove for minimum clearances that must be maintained during installation of a stove into a mobile home.
2. Use of an approved thermal barrier may allow for the reduction of no barrier minimum stove clearances. Remember that a wall (wood studs covered with sheetrock, even if that wall is covered with brick) is still considered combustible. Functional thermal barriers are made of hearth pads

consisting of two ¼” sheets of mineral board or 24-gauge sheet metal spaced 1” from the combustible wall, with approved spacers that provide additional protection to the combustible wall. Refer to a hearth pad manufacturer’s instructions or the NFPA Publication 211. Do not violate minimum clearances with approved thermal barriers. Manville’s CERAFORM 126 is an example of an approved insulated wall protector. This product has a K equal to .27 and is a half-inch thick. Total thermal resistance should exceed 1.5 for any material used to ensure proper thermal protection of a combustible wall.

#### **MOBILE HOME STOVE ATTACHMENT**

1. Install combustion air to the bottom of the stove as shown in FIGURE 18 in all mobile home applications. The other end of the combustion air tube is installed through the mobile home floor. Ensure that snow or other material cannot prevent fresh air from entering the duct located outside the mobile home.
2. Install a mesh screen or an approved fresh air cap on the outside of the mobile home combustion air tube. This cap will keep foreign material, birds, or small animals out of the fresh air system. Do not use mesh screen from windows as it has too small a hole.
3. If operation of the Harvester freestanding stove causes room air starvation, dangerous fumes can be sucked into the mobile home from other vented appliances. Air starvation usually occurs: (a) because the combustion air intake is blocked, (b) because the stove door is left open or does not seal properly, or (c) due to strong exhaust fans being operated inside the mobile home. Always ensure that fresh air intake systems remain unblocked and ensure free fresh airflow. Contact your local Country Flame dealer or a certified chimney sweep for annual inspections.
4. **WARNING: DO NOT INSTALL ANY HARVESTER IN A SLEEPING ROOM.**



**FIGURE 16: MOBILE HOME LEG INSTALLATION**

#### **MOBILE HOME FLOOR PROTECTION**

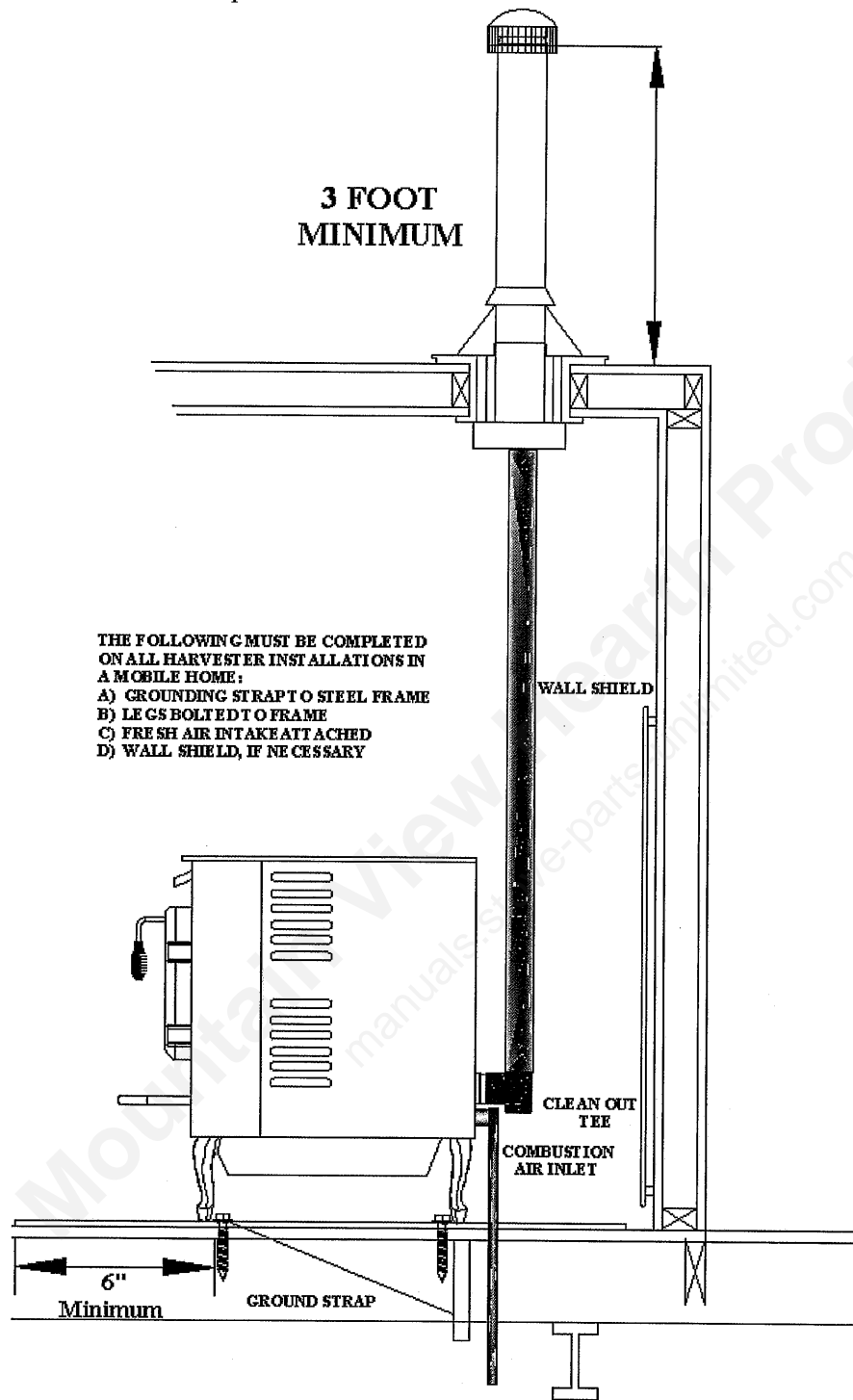
1. A mobile home floor must be protected against stray sparks, radiant heat build up, or from damage during general use.
2. This floor protection must meet certain minimum requirements as a thermal barrier. Calculations are provided in this manual for determining if a floor protector meets minimum requirements for a mobile home installation.

3. At no time should a floor protector be placed on top of carpeting. Carpeting must be removed and the floor protection should sit directly on the uncarpeted portion of the mobile home floor. Floor protection should extend to the front, sides, back, and under the chimney connector as defined for a specific model listed in this manual. In the event there are floor protection questions, contact Country Flame or one of its local authorized dealers for assistance.

### **MOBILE HOME CHIMNEY AND DUCTS**

1. ALL chimney connectors, parts, attachments, and ducts should be TYPE L or PL rated vent. One of the UL 641 criteria is that a Type L or PL chimney component withstands temperatures that do not exceed 570°F. Mobile home stove and chimney restrictions are that: (a) regular thin walled stovepipe is not permitted, (b) roof systems cannot be weakened when installing a chimney system, (c) a chimney cap and spark arrester are mandatory, and (d) the chimney must be strong enough to withstand normal area wind velocities.
2. There are many vent pipe manufacturers providing excellent products that meet government listing requirements. Each type and brand meets many various application criteria and has specific installation requirements. Further, each chimney manufacturer provides excellent written instructions on HOW TO install a chimney system. This information should aid the homeowner in ensuring a certified professional completes the job properly. If there are questions, contact Country Flame or a local authorized dealer. If additional information is required, a search of the internet will provide plenty of valuable information.
3. A complete chimney system should include a HUD approved spark arresting chimney cap, a storm collar, a roof flashing, an attic radiation shield (if needed), a chimney support box, a ceiling finish collar, an approved chimney connector, and other parts required by site specific conditions. There will be clearance differences presented in both the Harvester and vent pipe manufacturers' product literature. ALWAYS use the larger clearance requirement when installing a Harvester system into a mobile home.
4. A mobile home vent system must serve only one appliance. The vent system must extend at least 1 foot above the highest point on the roofline where it passes through the roof. The vent system should be at least 2 feet higher than any part of a roof or building within a 10-foot clearance around the chimney. The minimum chimney vertical height is 8 feet and the maximum chimney vertical height is 25 feet as measured from the top of a specific Harvester model stove to the chimney flue exit. REMEMBER: The structural integrity of a mobile home wall and roof must be maintained during installation of a Harvester stove. Country Flame strongly discourages the removal or cutting of roof trusses or other structural components of a mobile home in order to install a stove. Consult local code.
5. To comply with over-the-road height limitations and to protect the chimney system and roof from damage remove all above roof chimney parts during transport of a motor home. Use only noncombustible material to seal all chimney system joints to prevent cold air leakage into a mobile home. Refer to local codes or with an authorized local Country Flame dealer to obtain the name of approved noncombustible sealants.
6. Many chimney manufacturers provide Corn (all fuel) vent system kits that contain basic items. These mobile home vent systems kits are not all-inclusive. A homeowner should consult with a certified professional. Additional pellet vent system parts will be required to handle variations in local codes, site-specific mobile home issues, ceiling height, ceiling slope, roof pitch, attic insulation, attic height, and surrounding objects. Use a certified professional to install a

Harvester vent system and do not deviate from the vent system manufacturer's installation instructions. Contact Country Flame or a local authorized dealer to resolve any questions or installation procedures.



**FIGURE 18: MOBILE HOME HARVESTER (FREE STANDING VENT) INSTALLATION**

## MAINTENANCE REQUIREMENTS

### GENERAL REQUIREMENTS

The Harvester Model HR-01 has minimal maintenance requirements; however, failure to perform cleaning or maintenance items will lead to degraded performance and potential safety hazards for both the home and its occupants. The Harvester stove should not be operated routinely without thorough monthly cleaning (or more often) depending on frequency of use.

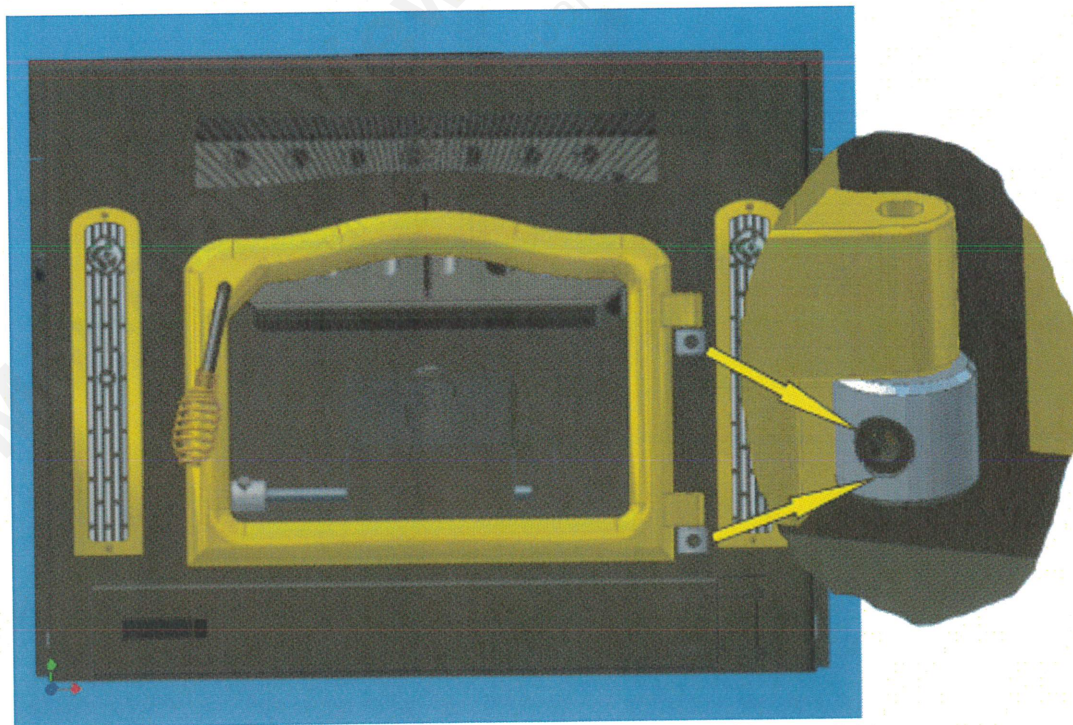
The three most common maintenance chores will be:

- a) Refilling the hopper with fuel as needed.
- b) Cleaning the firebox and glass as required, satisfying the customer.
- c) Emptying the ash bin to ensure ash buildup does not interfere with operation.

Country Flame strives to use high quality low maintenance components in the Harvester.

### STOVE DOOR INSTALLATION

The Harvester door has been mounted and checked for proper fit at the factory. If the door is removed for any reason, care must be taken in reinstalling the door to ensure proper alignment and fit. Setting the door is quite simple. Ensure the door is in the fully open position. Once done, align the female portion of the door hinge with the male portion of the stove hinge. Gently lower the door hinges over the stove hinge pin. Once the door hinges have been set, the door can be closed to check for proper fit. The Harvester door installation should now be complete. To remove the door, simply lift up on the door from the stove hinges. Store the door in a secure place. If the door is left sitting, ensure that the door cannot fall and injure someone or damage the door or glass. The Harvester door has been adjusted at the factory. If the door fit is not satisfactory, the homeowner can adjust the door using the hinge screws, refer to FIGURE 19.



**FIGURE 19: DOOR ALIGNMENT POINTS**

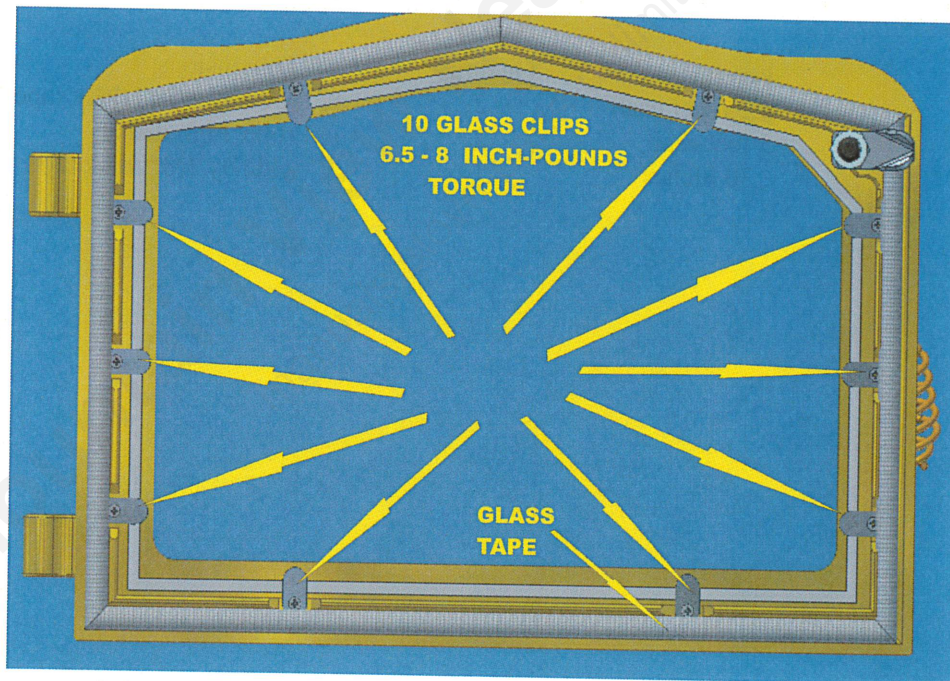
### STOVE DOOR ADJUSTMENT

The Harvester door may require fine adjustment due to variations in the door, the gasket material, due to hinge wear, or to maintain a center-aligned appearance. The Harvester door needs to remain airtight to ensure proper firebox operation. The Harvester door can be adjusted up or down and left or right with the adjustable hinge pins as shown in FIGURE 19.

The door gasket can also be adjusted to improve on the airtight fit. To adjust the gasket tightness, simply rotate the door latch clockwise (tighten) or counterclockwise (loosen) one complete revolution or as necessary to adjust the gasket seal. A good test to evaluate proper door gasket seal is to lay a dollar bill against the stove frame and then close and latch the door. If gently tugging on the dollar bill does not dislodge it from the door, the seal is appropriate. In the event that a proper door gasket seal cannot be obtained, it may be time to replace the door gasket.

### STOVE DOOR GLASS CLEANING

The Harvester stove is designed with an advanced air wash system that assists in keeping the door glass clean. If the Harvester stove is operated continuously on low heat setting, the door glass will get dirty quicker than when a medium to high fire is fueling the firebox. In order for glass to remain clean, a high temperature fire must be maintained in the firebox. CAUTION: Do not clean hot glass. If the door glass does require cleaning, use an authorized stove glass cleaner. Contact Country Flame or one of its local authorized dealers to obtain a suitable cleaner or the name of a recommended glass cleaner. Regular household glass cleaners are not effective in cleaning creosote and other residue from the glass. DO NOT use abrasives such as steel wool or powder abrasives as they will permanently damage the glass. Once the glass has been scratched, complete replacement of the glass is required. Use only approved 1400°F high temperature stove ceramic glass to replace any cracked or broken glass.



**FIGURE 20: DOOR GLASS REPLACEMENT**

### GLASS REPLACEMENT

The glass used in the Harvester stove is a 1400°F high temperature ceramic glass. If the glass should crack or break for any reason, it must be replaced with an equal or better grade ceramic glass. The use of tempered glass or ordinary glass IS NOT AUTHORIZED and its use is hazardous. Harvester replacement glass can be purchased direct from Country Flame or one of its authorized dealers. See FIGURE 20 for securing points for

the door glass. Removal of these glass retaining clips can be accomplished with household tools. Order the necessary replacement screws or glass clips when ordering glass to ensure worn parts are replaced.

Glass-ceramic has a thermal endurance far exceeding that of normal tempered glass. **Ceramic glass** is designed to operate at temperatures ranging from **-400°F to +1400°F**. Despite its superior thermal properties, **Ceramic Glass** stove windows should be treated with care. This glass-ceramic can still be scratched or broken by mechanical abuse. When cleaning the window, use only non-caustic, non-abrasive cleaners. The Harvester stove uses glass-ceramic that is 0.197 inches thick +/- 0.008 inches. If problems occur with the glass or replacement parts are needed, contact American Energy Systems Inc. or a local authorized dealer for assistance in ordering the necessary parts.

**CAUTION:** Do not attempt to clean hot glass. Do not abuse, strike, slam shut, or operate the Harvester stove with any broken glass in the appliance.

### **GASKET REPLACEMENT**

Remove the doors from the unit. Place the doors, face down on a protective surface to ensure no marring or scratching occurs during gasket replacement. To replace the Thermoglass™ knitted rope and tape gasket, first remove all of the old material and gasket cement. Use a putty knife or other sharp instrument to assist in removal. Use caution to prevent injury when removing old material. It is important to ensure the doorframe area is totally clean before installing the new gasket cement and material. The gasket must fit tight against the door frame in order to ensure a proper airtight seal when the stove is being operated. Apply gasket cement to the gasket channel per instructions provided with the gasket kit. Once the cement has been properly applied, install the new gasket. Both gasket and gasket cement are available from your authorized Country Flame dealer. The following table defines the gasket material used in the Harvester stove:

<u>Gasket</u>	<u>Length</u>	<u>Quantity</u>	<u>Dimensions</u>
Around glass	4.25 feet each	2	¾" wide by 1/16" thick tape
Doorframe	5 feet each	2	3/8" rope, high density
Ash drawer	30 inches	1	½" wide by 1/8" thick tape

## APPENDIX A: TROUBLESHOOTING GUIDE

**Shut off the power to the unit and allow it to cool off when performing cleaning and maintenance.**

	PROBLEM	SOLUTION
<b>Ignition</b>	The Stove power indicator does not flash red.	Check the power supply.
	Stove does not switch on	The starter fire in the firepot has not ignited or is not burning properly. Using gloves carefully open the doors and relay the pellet fire. Wait 8-10 minutes for the pellets to burn well, before restarting the system.
<b>Fuel</b>	If Corn contain a large amount of "fines" (foreign matter) or sawdust	You may want to screen/sift Corn before use if it contains a large number cob and stalk pieces. Check the heat exchanger area for buildup often to determine if any additional maintenance is needed.
	No fuel in Firepot	The Auger needs to be primed, as it has run empty or has become blocked. The auger has something jammed in it, the fuel is bad quality, the fuel is too long and bridging, hopper needs to be vacuumed.
	Hard build-up on the firepot base	Sand in the fuel may cause "clinkering" (hard brittle deposits found in the bottom of the firepot). Screen your fuel to make sure that there is no sand or other foreign matter
	Blockage in the auger.	If the corn is not feeding into the firepot at the normal rate the auger may need to be cleaned. This may be due to fines in the fuel.
<b>Stove Performance</b>	If your stove is not working effectively	You may be using the wrong fuel. Check that you are using the correct fuel. # 2 Yellow Shelled Corn - with a moisture content of 14% or less (12% preferred) Your Country Flame Dealer can advise on where to obtain this fuel. Do not use seed corn.
	If your stove is not generating enough heat	Fines or dust in the corn can cause the unit not to burn properly or can cause a buildup in the drop tube and restrict the flow of corn. Clean the auger and fuel supply.
	Stove not performing effectively	Clean the Heat Exchanger System, as it may be clogged and blocked.
	Stove not getting enough air	Check to ensure that the fresh air intake is clear and unobstructed.
	Stove Heat not adjusting	Stove has not gone past the startup cycle or diagnostic cycle. Wait 1 minute after startup before changing heat settings.
	Restricted flue gas flow	Fly-ash will collect in the exhaust venting system and restrict the flow of the flue gases. Incomplete combustion, such as occurs during start-up, shut down, or incorrect operation of the room heater will lead to some soot formation which will collect in the exhaust venting system. The exhaust vent should be checked frequently and cleaned at least once a season.
	Room Air Blower does not activate	Please contact your Country Flame Dealer as your stove may need maintenance

## APPENDIX A: TROUBLESHOOTING GUIDE (CONT'D)

	<b>Firepot Lid Lifts during the lighting cycle.</b>	This may happen until the corn has started to burn. This is normal and may occur at other times. This aids in keeping the corn from sticking to the stirring paddles until the fire is established.
	<b>Stirring Paddles do not turn</b>	The chain drive for the stirring paddles needs to be checked after the first 8 hours of operation as it can loosen. It is located by opening the left side door (the one with the control panel). Inspect the tension of the chain. It should have approximately 1/2" play. If the chain is too loose, adjust the chain drive motor by loosening the 4 bolts securing it and sliding it back until there is proper play in the chain. Re-tighten the bolts securely. This should be checked monthly or if you notice the stirring paddles not turning or binding.
<b>Fire Goes out</b>	<b>Ash Build Up</b>	The ash pan must be emptied every day, to prevent the build up of ash under the firepot blocking the air flow to the fire pot putting the fire out.
	<b>Fire goes out during cleaning of the ash pan</b>	Do not leave the ash pan out for more than three minutes or you may have to restart fire. Remove the ash pan using gloves.
	<b>Build up of Corn</b>	Your Firepot may need additional cleaning as extended burning on the high setting may cause a build-up of corn
<b>Stove Smokes</b>	<b>Your Corn Stove Smokes</b>	Your fuel may be damp or you may be using the incorrect fuel.
	<b>Your Corn Stove Smokes</b>	You have used the incorrect starter fluid. Only use the approved starter gel. Your Country Flame Dealer can advise you on where to find this.
	<b>Your Corn Stove Smokes</b>	Check that the chimney is clean and free of soot and fly-ash build-up. Your stove exhaust system works with a negative combustion chamber pressure and a low positive chimney pressure. It is very important that the exhaust system be completely airtight and properly installed.
<b>Cleaning</b>	<b>Cleaning is messy and difficult</b>	Clean the Heat Exchanger more frequently. This cleaning procedure should be done daily. If buildup is allowed to go unattended, cleanup will be much more difficult and the efficiency of your stove will be adversely affected.
<b>Glass</b>	<b>Glass Breaks</b>	Use care not to slam or strike door, this could result in glass breakage. If the glass in your heater is broken or cracked, <b>DO NOT</b> operate your stove until the glass has been replaced.
<b>Doors</b>	<b>Luster on Gold Doors Fades</b>	Always use an approved glass cleaner (ie. Windex, Glass Plus) and a lint free soft cloth to polish the door frame. Do not use abrasives like steel wool, brass polish or adhesive cleaners like comet, as these will scratch the finish. If the Gold Doors are scratched they will have to be replaced or returned to Country Flame for refinishing. This is expensive and during this time you will not be able to use your stove.
	<b>Doors are not airtight</b>	The doors need alignment or need to have the gaskets replaced. This needs to be inspected on a regular basis.

## APPENDIX B: MAINTENANCE GUIDE

**Shut off the power to the unit and allow it to cool off when performing cleaning and maintenance.**

<p><b>Regular Cleaning</b></p>	<p><b>Removing and cleaning the Firepot</b></p>	<p>The firepot can be removed for cleaning by loosening the bolt holding the stirring rod in place. Slide the keeper sleeve off of the gear shaft exposing the connector piece. Rotate the stirring rod until the slot is vertical. Now lift the firepot and the stirring rod out of the firepot holder. To replace reverse the procedure. The stirring rod can be manually rotated by holding in the “up” and “down” arrows on the control board at the same time. The control board needs to be in the “off” setting.</p>
	<p><b>Removing “Clinkers”</b></p>	<p>A clinker on the bottom of the firepot, may be removed with a spoon and dropped into the ash pan. NOTE: For your Safety, only remove clinkers from stove when unit is cool. Wear gloves and eye protection.</p>
	<p><b>Soot and Fly-ash Build Up</b></p>	<p>The ash pan must be emptied every day. If the ash pan is not emptied regularly ash will build up under the firepot and block the air flow to the fire pot putting the fire out. When the stove is cold, the firepot can be pulled out and removed for a thorough cleaning. Also, check the drop tube (where the corn drops into the firepot) for blockage.</p>
	<p><b>Thorough Cleaning</b></p>	<p>Remove the ash pan using a glove. Turn latching handle and slide the ash pan out of the ash pan drawer. Dump the ash pan into a fire safe, covered container. The firepot may be lifted out (first loosen bolt on the agitator shaft hub and slide hub to the side) and dump using a glove. With these items removed, carefully check that the unit and all ashes are cooled completely. Vacuum out the bottom of the unit. Vacuum the inside of the unit out thoroughly and replace all parts, firepot, and ash pan.</p>
	<p><b>Cleaning the Heat Exchanger.</b></p>	<p>A sliding plate fits over the fifteen tubes of the heat exchanger. The sliding plate is attached to a small rod protruding through the front of the stove just below the louver vent. Push the rod to the back of the exchanger and then pull forward to the front, several times. This will effectively remove ash and debris from the surface of the heat exchanger. Performing this step often will ensure that cleaning is an easy task. This cleaning procedure should be done daily. If buildup is allowed to go unattended, cleanup will be much more difficult and the efficiency of your stove will be adversely affected. CAUTION: Cleaning rod may be hot! Use a fireplace glove to protect your hand when using the cleaning rod to avoid getting burned!</p>

## APPENDIX B: MAINTENANCE GUIDE (CONT'D)

	<b>Cleaning the Glass</b>	To clean glass, use a mild non-abrasive cleaner when the stove and glass are cool. Creosote builds up on glass quickly when fire is burned at lowest settings. DO NOT use abrasive cleaners on glass. (Glass may crack if subjected to cold liquid cleaners while the glass is still hot. Using cleaner on hot glass may also cause burns, emit fumes and the glass is more likely to stain.)
	<b>Cleaning the Gold Doors (optional feature)</b>	The doors should be wiped down regularly to ensure the luster of the door system lasts. Always use an approved glass cleaner (ie. Windex, Glass Plus) and a lint free soft cloth to polish the door frame. Do not use abrasives like steel wool, brass polish or adhesive cleaners like comet, as these will scratch the finish.
	<b>Door Air Wash</b>	Periodically clean out the door air wash (a groove at the bottom of the door). This air wash directs air over the glass door to minimize soot buildup on the door.
<b>General/Yearly Maintenance</b>	<b>Exhaust Venting System</b>	After using your stove, you will observe small particles of fly-ash. The fly-ash will collect in the exhaust venting system and restrict the flow of the flue gases. Incomplete combustion, such as occurs during start-up, shut down, or incorrect operation of the room heater will lead to some soot formation which will collect in the exhaust venting system. The exhaust venting system should be inspected at least once every year to determine if cleaning is necessary.
	<b>Air Intakes</b>	When starting to use the stove at the beginning of the season, check to ensure that the fresh air intake is clear and unobstructed.
	<b>Oiling the Room Air and Exhaust Blowers</b>	Both the room air & exhaust blowers need to be oiled at least once a season with lightweight oil. Locate the oil ports on either the side or top of the units and add three drops of oil. This simple step will greatly increase the life and serviceability of your unit.
	<b>Checking the tension on the Chain Drive of the Stirring Paddles.</b>	The chain drive is located by opening the left side door (the one with the control panel). Inspect the tension of the chain. It should have approximately 1/2" play. If the chain is too loose, you need to adjust the chain drive motor by loosening the 4 bolts securing it and sliding it back until there is proper play in the chain. Re-tighten the bolts securely afterwards. This should be checked monthly or if you notice the stirring paddles not turning or binding.
	<b>Inspecting the Door Gasket</b>	This is done by taking a 2" strip of paper and shutting the door on it. Then pull the paper to test the gasket pressure. You should have to pull the paper from the door. Check all around the gasket. If the paper slides out easily or falls out, the gasket needs to be replaced. Country Flame recommends that both the door and glass gaskets be replaced at the same time.

## APPENDIX B: MAINTENANCE GUIDE (CONT'D)

	<p><b>Replacing the Door / Glass Gaskets</b></p>	<p>To replace the gaskets, remove the door by lifting it straight up off its hinge pins and laying it face down on a soft surface. Remove the door gasket (you may need to use pliers) and then remove the glass retaining clips and remove glass. Strip off old gasket around glass and clean glass well. Clean out old stove gasket material from gasket track. Once the door and glass are clean, apply gasket material to glass surface and return glass to door, securing with clips (Use care not to over-tighten). Then apply a generous bead of gasket cement into the track. Position the NEW gasket into track and gently press into door. Trim off any excess gasket and wipe away excess cement. Let the cement set 24 hours before placing door back on unit and using the unit. Gasket material and cement may be obtained from your dealer.</p>
	<p><b>Replacing the Glass</b></p>	<p>Remove the door gasket (you may need to use pliers) and then remove the glass retaining clips and remove glass. Replacement glass should be 0.200" (5mm) thick. Overall size of the glass is 16" (405mm) wide by 11" (279mm) high, cut to an irregular shape to fit the door front. Your unit uses <b>KERA LITE®</b>, or a similar ceramic type high temp glass. Do not use any other than recommended glass type in this unit. Replacement glass may be obtained from your dealer. Clean out old stove gasket material from gasket track. Once the area is clean, apply gasket material to new glass surface and return glass to door, securing with clips (Use care not to over-tighten).</p>
	<p><b>Adjusting the Doors</b></p>	<p>The doors of your Harvester Stove may need some adjustment due to shipping vibrations, jarring during installation and extended use. As it is important that the doors fit properly to remain airtight, it is suggested that you periodically check the alignment of the doors. To adjust the doors .....</p>

## APPENDIX C: TECHNICAL SPECIFICATIONS

**Fuel Type:** #2 Yellow Shelled Corn Fuel  
 Moisture Content: 14% or less (12% preferred)  
 Heat Content: 8500-10,000 Btu/lb\*  
 Ash Content: 3% maximum

**Hopper Size:** 75 pounds corn

**Flue Size:** 3" or 4" – dependent on the chimney height

**Flue Type:** Type L or PL (double wall vent)  
 Type L or PL (single wall stainless steel liner)

**Air Inlet:** 3" diameter non-combustible piping

**Auger Type:** 1 1/8" cup Auger Feed System

**Controls:** Electronic Integrated Feed Rate/Blower Speed Controls

**Electrical:** 120 Volts, 3 Amperes, and 60 Hz

<b>Measurements:</b>	UNIT BODY HEIGHT	22.75"
	HEIGHT ON PEDESTAL	33.75"
	HEIGHT ON LEGS	31.25"
	UNIT WIDTH (REAR)	25.5"
	WIDTH AT WIDEST POINT	30.75"
	UNIT DEPTH	24.5"

<b>Weight :</b>	STOVE WEIGHT	400
-----------------	--------------	-----

<b>Clearances:</b>	UNIT TO SIDEWALL	2"
	UNIT TO BACKWALL	1"
	UNIT CORNER TO DIAGONAL WALL	1"
	TOP TO COMBUSTIBLE	8"
	TOP TO CEILING (Alcove)	8"

**Shroud Measurements:**

\*BTU/lb can vary depending on the moisture content of the corn.

## **APPENDIX D: COMMON REPLACEMENT PARTS**

### **REPLACEMENT PARTS**

<b><u>Part Number</u></b>	<b><u>Description</u></b>	<b><u>Number per HARVESTER</u></b>
CB-43	BURN POT SCREEN	1
CB-74	STIR ROD ASSEMBLY	1
CB-145	BURN POT ASSEMBLY	1
PP-353	EXHAUST MOTOR ASSEMBLY	1
PP-355	ROOM AIR MOTOR ASSEMBLY	1
PP-352	VACUUM SENSOR SWITCH	1
MF3538	250°F OVER TEMPERATURE SENSOR	1
MF3537	110°F EXHAUST/ROOM AIR SENSOR	1
25-0052-00	OWNERS MANUAL	1
PP-989	AC RECEPTACLE	1
NPS-1005-N-9	CONTROL BOARD (new units, 2011 forward)	1
PP-1035	WIRING HARNESS	1
PP-40	DOOR FRAME ONLY	1
PP-87-NC	DOOR ROPE GASKET	1
PP-1192	ASH PAN DOOR HANDLE	1
CB-62	CLEAN OUT PLUGS	2
PP-535-1	AUGER MOTOR ASSEMBLY	1
PP-27	VACUUM HOSE	1
PP-48	NON-ETCHED DOOR GLASS W/TAPE	1
PP-525	ETCHED DOOR GLASS W/TAPE	1
PP-538G	SIDE TRIM, GOLD	2
PP-538	SIDE TRIM, BLACK	2
PP-53	SIDE GLASS, NON-ETCHED	2
PP-54	SIDE GLASS, ETCHED	2
PP-185	SIDE TRIM, CUSTOM	2

Mountain View Hearth Products  
manuals.stove-parts-unlimited.com