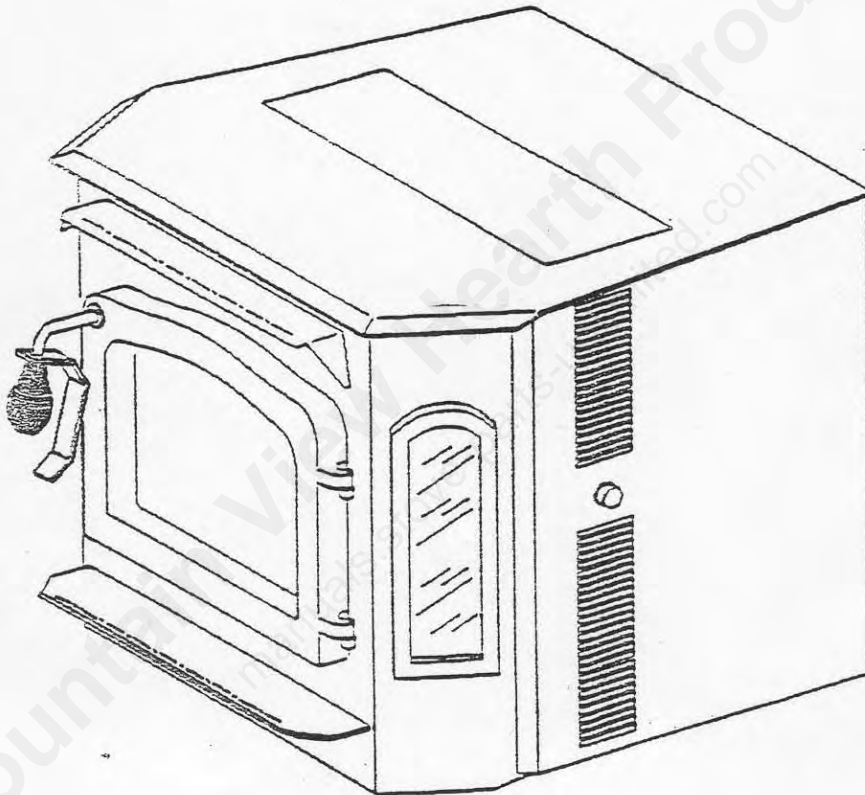


OWNERS MANUAL

FOR THE *COUNTRY FLAME* MODEL NPS-1000
PELLET STOVE FREESTANDING HEATER/FIREPLACE INSERT

INSTALLATION, OPERATION & MAINTENANCE INSTRUCTIONS



**\\ DO NOT DESTROY //
KEEP FOR FUTURE REFERENCE**

**PLEASE READ ALL OF THIS
MANUAL AND SAFETY NOTES**

Country Flame Technologies, Inc

REVISION 5/22/95 (DSP)

INSTALLATION & OPERATING GUIDE

MODEL NPS-1000 PELLET STOVE

TABLE OF CONTENTS

PELLET STOVE FREESTANDING HEATER/FIREPLACE INSERT

Copyright © 1994 by Country Flame Technologies, Inc

Introduction	Page 2
Safety Notes	Page 3-5
Specifications	Page 6
Operating Instructions	Page 7-16
Description	Page 7
Pre-Operation Notes	Page 8-10
Lighting Procedure	Page 11-13
Optional-Auto Ignitor Lighting	Page 13
Maintenance	Page 14-16
Installation Instructions	Page 17-28
Precautions	Page 17
Free Standing Unit	
Positioning	Page 18
Venting	Page 19-21
Details	Page 22-23
Insert Unit	
Positioning	Page 24
Venting	Page 25-26
Details	Page 27
Mobile Home Venting Standards	Page 28
Electrical	Page 29
Schematic	Page 29-30
Trouble Shooting Guide	Page 31-34
Warranty	Page 35

FOR YOUR SAFETY
Do not store or use gasoline or other flammable vapors and liquids in the vicinity of this or any other appliance.

// DO NOT DESTROY //
KEEP FOR FUTURE REFERENCE

PLEASE READ ALL OF THIS
MANUAL AND SAFETY NOTES.

WARNING: Improper installation, adjustment, alteration, service or maintenance can cause injury, property damage or even death. Refer to this manual. For assistance or additional information, consult a qualified installer, service agency or dealer.

CONTACT LOCAL BUILDING OR FIRE OFFICIALS ABOUT RESTRICTIONS AND INSTALLATION INSPECTION REQUIREMENTS IN YOUR AREA.

LOOK AT THE LABEL ON THE BACK OF YOUR UNIT TO FIND THE SERIAL NUMBER. WRITE IT HERE _____ IMMEDIATELY.

Failure to do so will make servicing and maintenance questions difficult to answer and could result in needless inconvenience in the future. You will need the serial number of your unit if it requires servicing.

For safe installation and operation of your pellet stove, Read and Follow the safety instructions on pages 3 - 5 and throughout the manual.

INSTALLATION & OPERATING GUIDE

INTRODUCTION

Congratulations on your purchase of a *Country Flame* solid fuel heater. Your heater was designed to provide you with durable, reliable performance and ease of operation.

The *Country Flame* NPS-1000 has been painstakingly designed with your comfort in mind. On those cool evenings when you'd like a little extra heat in the room, but you don't want to turn on the furnace, you'll enjoy the thermal efficiency of the NPS-1000. Whether you use your unit to heat a single room or several rooms, you'll appreciate the speed with which your unit can be lit and brought up to temperature.

You'll feel that you've slipped into the homey comforting glow of yesterday as you warm yourself in front of your new heater, with all the comforts of a good, solid wood burning stove, but without the bulk and mess of a conventional heater. While others have to trudge outside to chop wood and gather kindling, you'll be warming yourself by the fire, fueled by easy to load pelletized solid fuel. On cold winter nights, your NPS-1000 will become a true friend and you'll wonder how you ever got along without it.

Features:

- *Clean Pelletized Solid Fuel Operation
- *Industry Proven Auger System *HOT 15 Tube Exchanger Design
- *Integrated Control System *Solid Brass Door & Trim Available
- *Freestanding Pedestal And Leg Frame Options *Insert Installation Option

This is a comprehensive manual - to avoid confusion when installing your stove:

1. Read and familiarize yourself with the Entire Manual and Safety Notes.
2. Follow the Installation Instructions; Precautions, Positioning, Venting, and Details.
3. Follow the Operating Instructions; Lighting, Shutdown and First Time Operation.

For safe installation and operation of your pellet stove, Read and Follow the safety instructions on pages 3 - 5 and throughout the manual.

Page 2

INSTALLATION & OPERATING GUIDE

SAFETY NOTES

FOR SAFE OPERATION-THIS MANUAL MUST BE USED FOR INSTALLATION OF STOVE UNIT AND RETAINED BY THE OWNER FOR OPERATION AND MAINTENANCE INFORMATION.

PLEASE READ ALL OF THIS MANUAL AND SAFETY NOTES. The *COUNTRY FLAME* NPS-1000 Pellet Stove is different from conventional wood burning appliances. It is very important that you read and understand all of the instructions before installing and using your Pellet Stove. Follow the procedures and maintenance instructions outlined in this manual exactly. Failure to follow instructions may result in property damage, bodily injury, or even death. It is recommended that you have your unit installed by your authorized *COUNTRY FLAME* dealer or at least have them inspect your installation.

1. Because *COUNTRY FLAME* has no control over the installation of your unit, *COUNTRY FLAME* grants no warranty, implied or written, for the installation or maintenance of your unit and assumes no responsibility for any consequential damage.
2. Fill out the warranty card included with your unit. Send the return portion of the warranty card to *COUNTRY FLAME*. Please retain the other portion with this manual.
3. This heater will not operate using natural draft or without a power source for the blowers and fuel feeding system.
4. Never attempt to repair any part of the unit unless following instructions in this manual. Installation and repair should be done by a qualified service technician. Any parts removed for servicing must be replaced prior to operation.
5. Any modifications to the unit, unless authorized by *COUNTRY FLAME*, could be dangerous and void the warranty of the unit.
6. This unit must be connected to a grounded standard 110 volt 60hz electrical outlet. NEVER use an adapter cord or cut or remove the grounding prong from the power cord plug.
7. ALWAYS wait until the unit is cooled and disconnect power before performing any maintenance or cleaning procedures.
8. NEVER place combustible objects on or near your heater.

For safe installation and operation of your pellet stove, Read and Follow the safety instructions on pages 3 - 5 and throughout the manual.

Page 3

INSTALLATION & OPERATING GUIDE

9. NEVER allow children near heater during operation, and do not allow anyone to operate the unit who is unfamiliar with these instructions.
10. Children and adults should be alerted to the hazards of high surface temperature and should stay away to avoid burns or clothing ignition.
11. Young children should be carefully supervised when they are in the same room as the heater.
12. NEVER connect this unit to a chimney flue serving another appliance.
13. ALWAYS follow the lighting instructions in this manual, short cuts of any kind can be dangerous.
14. Check your local building codes and consult your insurance company before installing your unit.
15. Due to high temperatures, the pellet stove should be located out of traffic and away from furniture and draperies.
16. Clothing or other flammable material should not be placed on or near the room heater.
17. When disposing of ash accumulations from your unit, always place them in a metal container with a tight fitting lid. The closed container must be placed on a non-combustible surface well away from all combustible materials, pending final disposal. The ashes should be retained in the closed container until all cinders have thoroughly cooled.
18. Any safety screen or guard removed for servicing a room heater must be replaced prior to operating the room heater.
19. Your unit is designed and approved for burning of pelletized bio-mass fuel which meets or exceeds APFI standards only. Burning of solid fuel in other than pellet form is not permitted. Failure to comply with this restriction will void all warranties and the safety listing of the unit. Poor quality fuel will directly (and adversely) affect efficiency and cleanliness of your unit's operation. Your COUNTRY FLAME dealer can help you make the proper fuel choice for your area.

For safe installation and operation of your pellet stove, Read and Follow the safety instructions on pages 3 - 5 and throughout the manual.

Page 4

INSTALLATION & OPERATING GUIDE

20. NEVER use gasoline, gasoline-type lantern fuel, kerosene, charcoal lighter fluid or similar liquids to start or "freshen up" fire in this heater. Do not store or use gasoline or other flammable vapors and liquids in the vicinity of this or any other appliance.
21. INSTALL a smoke detector within the proximity of your pellet stove.
22. NEVER put foreign objects in the hopper. NEVER burn trash or unapproved material in your NPS-1000.
23. NEVER block free airflow through open vents.
24. The exhaust system should be checked twice a year (minimum) for any buildup of soot or creosote.
25. This unit's exhaust system works with a negative combustion chamber pressure and a low positive chimney pressure. It is very important that the exhaust system be completely airtight and properly installed. The chimney joints should be sealed with RTV 500 degrees Fahrenheit (500 F)(260 C) silicone sealant and secured with at least (3) sheet metal screws. Improperly installed stoves are the major cause of home fires.
26. When installed in a mobile home, the unit must be grounded to the steel chassis of the mobile home and bolted to the floor in compliance with and according to H.U.D. requirements.
27. Your COUNTRY FLAME pellet stove model NPS-1000 has been independently tested and listed by Warnock Hersey Laboratories in accordance with ASTM E1509, ULCS627 and ULCS628 standards. The safety listing label is located on the rear of the heater.
28. Never operate this unit without the firepot perforated plate grating in place.
29. SOOT AND FLYASH: The products of combustion will contain small particles of flyash. The flyash will collect in the exhaust venting system and restrict the flow of the flue gases. Incomplete combustion, such as occurs during start-up, shut down, or incorrect operation of the room heater will lead to some soot formation which will collect in the exhaust venting system. The exhaust venting system should be inspected at least once every year to determine if cleaning is necessary.

For safe installation and operation of your pellet stove, Read and Follow the safety instructions on pages 3 - 5 and throughout the manual.

Page 5

INSTALLATION & OPERATING GUIDE

SPECIFICATIONS

FUEL TYPE:	A.P.F.I. residential fuel: Heat Content: 8200 BTU/lb min Bulk Density: 40 lb/cubic ft min Moisture Content: 8% max Ash Content: 1% max Size: 1/4" to 3/8" dia 1.5" long max Fines: 1% max thru 1/8th scrn
HOPPER SIZE:	55# Hopper Capacity
FLUE SIZE:	3" or 4"
TYPE:	PL double wall vent w/stnlss steel inner liner
AIR INLET:	1 1/2" Sch 40 Black Iron Pipe
AUGER TYPE:	Tumac 2 1/4 Auger Pellet Feed System
CONTROLS:	Integrated Feed Rate/Blower Speed Controls
ELECTRICAL:	120 Volts, 2.4 Amp, 60 Hz
MEASUREMENTS:	UNIT BODY HEIGHT 22 3/4" HEIGHT ON PEDESTAL 32 3/4" HEIGHT ON LEGS 29" UNIT WIDTH (REAR) 25 1/2" WIDTH AT WIDEST POINT 30 3/4" UNIT DEPTH 24 1/2" SHROUD HEIGHT 29 3/4" SHROUD WIDTH 41 1/2"
CLEARANCES:	SIDE AND BACK 3" (75mm) TOP TO COMBUSTIBLE 6" (150mm) TOP TO CEILING 6" (150mm)
*Combustible Flooring must be covered with non-combustible material extending 6" (150mm) from front of unit and 8" (205mm) from unit on each side.	

For safe installation and operation of your pellet stove, Read and Follow the safety instructions on pages 3 - 5 and throughout the manual.

Page 6

INSTALLATION & OPERATING GUIDE

OPERATION/DESCRIPTION

The NPS-1000 Pellet Stove is designed to sit on a pedestal or leg frame as a freestanding unit or can be installed as an insert with accompanying shroud. The basic stove unit without shroud or pedestal measures 23" high by 31" wide and 34" deep. Centered above the firebox glass front door is a hooded vent through which room convection air is passed.

The right side of unit has a rheostat control knob to vary the speed of the room air blower. The left side of the unit has a control panel for the integrated control logic board. The controls include feed rate adjustment, ON/OFF switch and an auger ON switch. On the back of the unit are located a 3" tube for installation of outlet vent pipe and a hole for installation of a 1 1/2" inlet air tube. The top of the unit has a 22" x 8" pellet feed opening which comes with a lid, one piece or two piece depending on which installation option is selected.

1. The COUNTRY FLAME NPS-1000 is remarkably simple and safe in its operation. From a relatively small firebox over 40,000 BTU's per hour can be produced.
2. The fuel (APFI approved) is loaded into the hopper. After the fire has been lit (see lighting instructions) an angled drive auger delivers fuel, a few pellets at a time into the firepot at a controlled rate. The combustion blower delivers directed air input, creating a vigorous, efficient burn. The hot exhaust gases are drawn through a 15 tube heat exchanger which extracts heat from the gasses as they are discharged to the exhaust pipe.
3. A second blower circulates room air through the heat exchanger, pushing warm air into the room from the tubes located just above the door. The room air blower is intended to run continuously and can be easily controlled to maintain a uniform temperature.
4. The Pellet stove will deliver a constant amount of heat which can be varied by setting the fuel control knob. Besides initial lighting of the unit, the only regular attention needed will be to fill the 55# hopper with fuel; inspection of the firepot for "clinkering" (see operating instructions) and removal of ash buildup as required.

For safe installation and operation of your pellet stove, Read and Follow the safety instructions on pages 3 - 5 and throughout the manual.

Page 7

INSTALLATION & OPERATING GUIDE

OPERATION/PRE-OPERATION NOTES

AIR ORIFICE SELECTION

Each NPS-1000 is shipped with THREE different air orifices, located under the ash deflector plate which is located under the firepot. Some operating conditions such as fuel conditions, altitude, and customer usage preferences, occasionally require more or less combustion air for a unit. To select the air orifice that will best suit your needs, observe the following suggestions.

1. Conditions that warrant the use of the Large slot air orifice (allows more air for proper combustion) are:

Hardwood pellets
High altitude
Normal usage at settings on the upper range of the Auger Feed control (5-6)

2. Conditions that warrant the use of the Small slot air orifice (allows less air for proper combustion) are:

Softwood pellets
Low altitudes
Normal usage at settings on the lower range of the Auger Feed control (1-2)

3. The Mid-size slot air orifice should be used when:

Variables fall between the above listed conditions
When conditions are contradicting (ie-in low altitudes and using hardwood pellets)
To adjust air intake for proper burn

4. Thermostat controlled units should use the small orifice when using Hardwood pellets or low settings.

For safe installation and operation of your pellet stove, Read and Follow the safety instructions on pages 3 - 5 and throughout the manual.

Page 2

INSTALLATION & OPERATING GUIDE

Things to watch for:

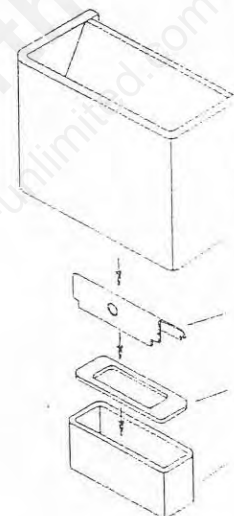
TO LITTLE AIR

- * Extremely lazy flame
- * Extremely black and dirty conditions in firebox
- * When extended burn on High Settings, to many pellets in firepot

TO MUCH AIR

- * Flame barely visible
- * Fire goes out on low settings

Note: Once you have determined the correct orifice for your normal usage, the orifice will not need changed. Unless of course, the variables of conditions are changed (for example: changing from hardwood to softwood pellets).



FIREPOT ASSEMBLY VIEW

REMOVABLE FIREPOT
NPS-55

REMOVABLE ASH DEFLECTOR PLATE
NPS-50

REMOVABLE AIR INLET ORIFICE
NPS-63, NPS-64, NPS-127

NON-REMOVABLE FIREPOT THROAT

For safe installation and operation of your pellet stove, Read and Follow the safety instructions on pages 3 - 5 and throughout the manual.

Page 9

INSTALLATION & OPERATING GUIDE

OPERATION/PRE-OPERATION NOTES

1. Thoroughly read and understand this manual. Pay particular attention to the maintenance and safety sections of this manual. Failure to inspect and familiarize yourself with instructions may cause unsatisfactory performance.
2. Check to see that the intake and exhaust vents are properly tight and correctly installed.
3. Remove protective materials; such as brass plastic coverings.
4. Insure that stove is connected to a 110V power source and that both access doors are in place and secure.
5. Lift Hopper lid. Check that no foreign objects are in hopper before loading it with pellet fuel.
6. The first time you fire up your *Country Flame* heater, you may smell the paint curing. This is normal. The unit should be "broken in" after that first firing, however, you may want to open doors or windows to ventilate the room during the first firing of the unit.
7. Fuel should conform to A.P.F.I. standards (see page 6).

For safe installation and operation of your pellet stove, Read and Follow the safety instructions on pages 3 - 5 and throughout the manual.

Page 10

INSTALLATION & OPERATING GUIDE

OPERATION/LIGHTING PROCEDURE

1. Read the Pre-Operation Notes. If your unit has an optional decorative log, remove it while lighting.
2. Set unit in OFF position by pushing the ON/OFF rocker switch to the OFF position.
3. Open the hopper lid and fill with pellets. Replace lid.
4. Turn the unit ON by pushing the ON/OFF rocker switch to the ON position. Push the auger activation button located just above the ON/OFF switch. (This will activate the Automatic Auger Feed. However, the unit will not begin automatically feeding pellets until the unit is hot enough to open the heat sensor).
5. Rotate the fuel feed knob to the highest setting.
6. Several lighting aids are available to start your fire. Starting gel, starting fluid (NOT the same as charcoal lighter fluid), and a lighting block are all acceptable. Any of these may be obtained from your dealer.

Starting Gel or Fluid:

Manually auger in pellets (push and hold Manual Feed switch) until the firepot is about half full of pellets. Squirt starting gel or fluid on top of the pellet bed in the firepot and light (long matches or gloves may be desirable when lighting).

Starting Block:

Crumble half of the block into the firepot, and light the other half with matches or a lighter, place into firepot. Once the block is blazing, manually auger in enough pellets to keep the fire fueled. Be careful not to over fuel and smother the fire.

7. Watch for the pellets to begin automatically feeding. (Replace the decorative log now if you have one).

TIP: Leaving the access door ajar till the fire is burning vigorously, can be helpful. This will slow the amount of air that is directed over the new embers.

8. When the flame is burning steadily, you may set the auger feed rate to your desired setting.

For safe installation and operation of your pellet stove, Read and Follow the safety instructions on pages 3 - 5 and throughout the manual.

Page 11

INSTALLATION & OPERATING GUIDE

9. The Room Air Blower will activate once the heat sensor warms up, this takes a few minutes. Once the blower is activated, you can set it to your desired speed.
10. If you have any questions or concerns of the preceding steps, ask your dealer for a demonstration of lighting procedures.

TO SHUT DOWN THE SYSTEM

Simply turn the ON/OFF Rocker Switch to the OFF position. The pellet feed auger will shut down immediately and the blowers will shut down when the unit has cooled off sufficiently.

For safe installation and operation of your pellet stove, Read and Follow the safety instructions on pages 3 - 5 and throughout the manual.

Page 12

INSTALLATION & OPERATING GUIDE

OPERATION/LIGHTING PROCEDURE

OPTIONAL - AUTO IGNITION LIGHTING INSTRUCTIONS

1. Turn unit on.
2. Turn Pellet control knob to 1. Push Auger Mode button (green light on top will glow).
3. Open door so you can see inside the firepot.
4. Manually feed pellets into firepot (push and hold down Manual Feed switch) until pellets cover hole in the back of the firepot. (You should see an orange glow from this hole).
5. Close door.
6. Pellets should ignite in two or three minutes.
7. Adjust speed control to 6.
8. Manually auger in (push and hold Manual Feed switch) pellets until you have a robust flame, this may be two or three minutes. Remove finger from switch, pellets should begin automatically feeding. (The Manual Feed switch in on the control board. Be careful not to overfeed and smother the fire).
9. In the unlikely event that your pellet stove does not ignite as the directions specify, shut off the stove and begin the steps again.

You are now ready to enjoy the warmth and convenience of your Country Flame NPS-1000 stove.

For safe installation and operation of your pellet stove, Read and Follow the safety instructions on pages 3 - 5 and throughout the manual.

Page 13

INSTALLATION & OPERATING GUIDE

OPERATION/MAINTENANCE

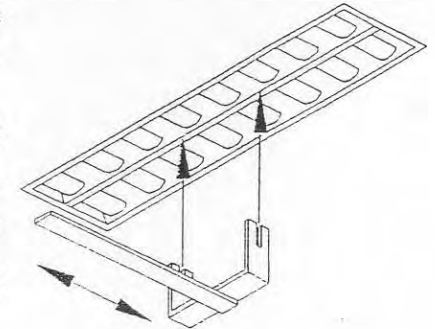
1. If pellets contain a large amount of "fines" (foreign matter or sawdust), you will need to clean the heat exchanger area for buildup often to determine if any maintenance is needed. You may want to screen pellets before use if they contain a large number of "fines".
2. Sand in the pellets may cause "clinkering" (hard brittle deposits found in the bottom of the firepot). Clinkering is primarily caused by fuel impurities, but it may be intensified if the stove is run for a long time with a low amount of fuel. A full load of fuel allows less cool air to enter the burnpot as pellets drop in.
3. A clinker may be removed with a spoon and dropped into the ash pan. **NOTE:** For your safety, only remove clinkers from stove when unit is cool. When the stove is cold, the firepot can be pulled out and removed for a through cleaning.
4. **SOOT AND FLYASH:** The products of combustion will contain small particles of flyash. The flyash will collect in the exhaust venting system and restrict the flow of the flue gases. Incomplete combustion, such as occurs during start-up, shut down, or incorrect operation of the room heater will lead to some soot formation which will collect in the exhaust venting system. The exhaust venting system should be inspected at least once every year to determine if cleaning is necessary.
5. The frequency of cleaning your unit will depend on the particular installation, fuel and usage of your unit. You will know your stove needs cleaning either by inspection or by a marked decrease in performance. We suggest you check you unit often, especially during its "break-in" period.
6. Shut off the power to the unit and allow it to cool off when performing cleaning and maintenance.
7. The exhaust vent should be checked frequently, at least once a season and cleaned at least once a season.
8. Check to insure that the fresh air intake is clear and unobstructed, especially at the start of the season.

For safe installation and operation of your pellet stove, Read and Follow the safety instructions on pages 3 - 5 and throughout the manual.

Page 14

INSTALLATION & OPERATING GUIDE

9. The Heat Exchanger has a simple cleaning feature. A sliding plate is fit over the fifteen tubes of the exchanger. A tool for sliding the plate has been furnished with your unit. Grasp the tool by its handle and lock the end of the tool onto the center of the sliding plate. Push the plate to the back of the exchanger and then pull forward to the front, several times. See Illustration. This will effectively remove ash and debris from the surface of the exchanger. Performing this step often will insure that cleaning is an easy task. If buildup is allowed to go unattended, cleanup will be much more difficult and the efficiency of your unit will be adversely affected.



10. For regular cleaning follow step #9. Then remove the ash pan using either the ash pan removal tool (furnished) or use a glove, lift it up and out of the access door, using care not to damage the back wall insulation. Dump the ash pan into a firesafe, covered container. The fire pot may be lifted out and dumped using a glove, then remove the ash deflector plate and the air orifice. With these items removed, carefully check that the unit and all ashes are cooled completely. Vacuum out the bottom of the unit, paying close attention to the air inlet where the air orifice was. Vacuum the inside of the unit out thoroughly and replace all parts, air orifice, ash deflector plate, firepot, and ash pan.
11. Both the room air & exhaust blowers need to be oiled at least once a season with a lightweight oil. Locate the oil ports on either the side or top of the units and add three drops of oil. This simple step will greatly increase the life and serviceability of your unit.
12. To clean glass, use a mild non-abrasive cleaner when cool. Creosote builds up on glass quickly when fire is burned at lowest settings. DO NOT use abrasive cleaners on glass.

For safe installation and operation of your pellet stove, Read and Follow the safety instructions on pages 3 - 5 and throughout the manual.

Page 15

INSTALLATION & OPERATING GUIDE

13. Periodically clean out the door air wash (a groove at the bottom of the door). This air wash directs air over the glass door to minimize soot buildup on the door.
14. Once a year it is advisable to inspect the door gasket. This is done by taking a 2" strip of paper and shutting the door on it. Then pull the paper to test the gasket pressure. You should have to pull the paper from the door. Check all around the gasket. If the paper slides out easily or falls out, the gasket needs to be replaced. We recommend that both the door and glass gasket be replaced at the same time.

To replace the gaskets, remove the door by lifting it straight up, off of its hinge pins and lay face down on a soft surface. Remove door gasketing (you may need to use pliers). Remove glass retaining clips and remove glass. Strip off old gasketing around glass and clean glass well. Clean out old stove gasketing material from gasket track.

Once the door and glass are clean, apply new gasketing material to glass surface and return glass to door, securing with clips (Use care not to over tighten). Then apply a generous bead of gasketing cement into the track. Position NEW gasketing into track and gently press into door. Trim off any excess gasketing and wipe away excess cement. Let the cement set 24 hours before placing door back on unit.

Gasket material and cement may be obtained from your dealer.

15. Replacement glass should be 0.200" (5mm) thick. Overall size of the glass is by 16" (405mm) wide by 11" (279 mm) high, cut to an irregular shape to fit the door front. Your unit uses Corning Pyroceram II, or a similar ceramic type-high temp glass. Do not use any other than recommended glass type in this unit. Replacement glass may be obtained from your dealer.
16. Use care not to slam or strike door, this could result in glass breakage. If the glass in your heater is broken or cracked, DO NOT operate your stove until the glass has been replaced.

For safe installation and operation of your pellet stove, Read and Follow the safety instructions on pages 3 - 5 and throughout the manual.

Page 16

INSTALLATION & OPERATING GUIDE

INSTALLATION/PRECAUTIONS

IMPORTANT: Read all instructions carefully before starting installation. Failure to follow these installation instructions may result in a possible fire hazard and will void the Country Flame warranty.

1. Look at the label on the back of your unit to find the serial number. Write the serial number of the unit on the Table of Contents page immediately. Failure to do so will make servicing and maintenance questions difficult to answer and could result in needless inconvenience in the future. You will need the serial number of your unit if it requires servicing.
2. When installing appliance
 - A. When installing heater as an insert or as a freestanding unit, adequate clearances must be strictly adhered to.
 - B. Allow for adequate accessibility for servicing and proper operations.
 - C. When establishing clearances, measure from any combustible projection, such as; shelves, window sills, fireplace mantles above the appliance, etc.
 - D. Proper vent installation is required for safe, reliable operation. Follow vent manufacturers instructions closely.

WARNING: OPERATION OF THIS HEATER WHEN NOT CONNECTED TO A PROPERLY INSTALLED AND MAINTAINED FLUE VENTING SYSTEM IS DANGEROUS.

2. DO NOT INSTALL A FLUE DAMPER IN THE EXHAUST VENTING SYSTEM OF THIS UNIT.
3. DO NOT CONNECT THIS UNIT TO A CHIMNEY FLUE SERVING ANOTHER APPLIANCE.
4. INSTALL VENT PIPE AT CLEARANCES SPECIFIED BY THE VENT MANUFACTURER.

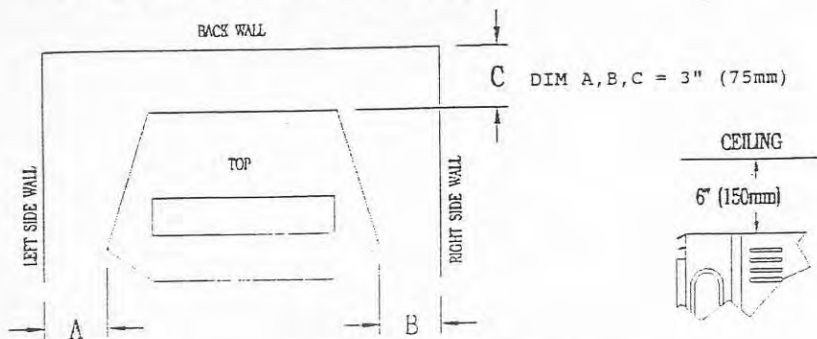
For safe installation and operation of your pellet stove, Read and Follow the safety instructions on pages 3 - 5 and throughout the manual.

Page 17

INSTALLATION & OPERATING GUIDE

INSTALLATION/FREESTANDING UNIT/POSITIONING

1. When determining the proper location for your unit, keep in mind the heater should be kept out of any traffic paths in the room, away from curtains, drapes or any other combustibles. It should also be placed in a position where heat will be evenly distributed throughout the room.
2. When the location has been determined, position the unit within the clearance parameters shown below.



SEE ADDITIONAL CLEARANCES ON PAGE #6

3. If installing unit on carpet, linoleum or other combustible material, floor protection is required. It should be at least 46 3/4" wide and 30 1/2" deep and placed directly under the heater. This protection must be made of metal or some other non-combustible material, such as ceramic tile or brick. EXCEPTION: If unit is installed with the pedestal option ONLY, no floor protection is required.
4. Verify that the location will not interfere with the circulation air flow. The unit draws air from the grills on the side of the unit.
5. Combustibles in front of the NPS-1000 must be kept at least 48" (120cm) from the unit.
6. A combustible mantel may be located no closer than 6" (150cm) to the top of a freestanding heater.

For safe installation and operation of your pellet stove, Read and Follow the safety instructions on pages 3 - 5 and throughout the manual.

Page 18

INSTALLATION & OPERATING GUIDE

INSTALLATION/FREESTANDING UNIT/VENTING

1. After positioning the unit venting must be installed. The NPS-1000 is a rear vented unit, so vent pipe is run directly from the rear of the unit. Proper venting can be achieved by installing a new 3" TYPE PL double wall vent pipe with stainless steel liner. 4" pipe is recommended but not required when long (over 10') lengths of pipe are used. Manufacturers of the new vent pipe used in the installation should be consulted for detailed installation instructions. Most will provide detailed drawings of venting configurations which meet or exceed code requirements.

FOLLOW VENT MANUFACTURERS VENTING INSTRUCTIONS CAREFULLY. INSTALLATION DRAWINGS ARE FOR ILLUSTRATION PURPOSES ONLY.

WARNING: Operation of this unit when not connected to a properly installed and maintained venting system is dangerous.

2. The venting of this unit should not be connected to a chimney flue serving another appliance.
3. At least a 3" clearance is required from all combustibles to the vent pipe, when using required TYPE PL double wall vent pipe w/ss liner. This includes the area(s) where the pipe passes through the roof. This clearance is generally met by installing flashing in roofs and firestop spacers between floors and ceilings. A thimble is needed for through wall applications. Do not install a flue damper in this system.
4. Install the vent pipe directly onto the vent adaptor on the back of the unit. Be sure to push firmly into position. Joints need to be joined tightly with at least (3) sheet metal screws and sealed with high temp (500 degree) RTV (silicone).

IT IS RECOMMENDED, BUT NOT REQUIRED (EXCEPT IN MOBILE HOMES), THAT INSTALLATIONS USE OUTSIDE COMBUSTION AIR FOR THE UNIT. IF YOU CHOOSE TO USE ROOM AIR FOR THE COMBUSTION AIR SOURCE, A BAROMETRIC AIR VENT SHOULD BE INSTALLED WITHIN YOUR HOME TO ALLOW ADEQUATE AIR FLOW.
5. When using outside air, the metal rigid or flexible inlet pipe should have a mesh screen to prevent rodents or birds blocking the pipe, also an elbow or shield should be used to prevent prevailing winds from blowing directly into the air intake. For best efficiency, locate air inlet 24" (607 mm) or more from exhaust vent pipe.

For safe installation and operation of your pellet stove, Read and Follow the safety instructions on pages 3 - 5 and throughout the manual.

Page 19

INSTALLATION & OPERATING GUIDE

6. The NPS-1000 is designed to accept installations using a horizontal vent through an exterior wall. See Figure 20-A.

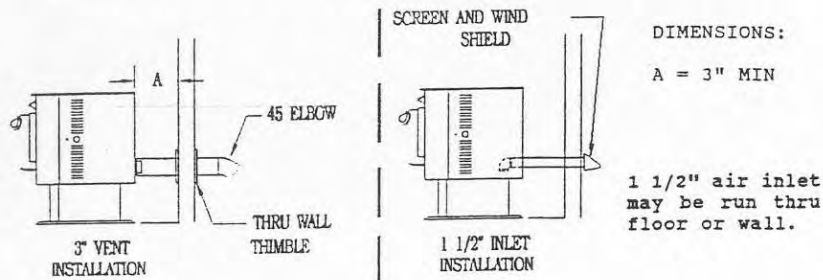


FIGURE 20-A

7. For an installation which follows a more traditional (as well as more efficient) style refer to fig. 20-B.

DIMENSIONS:

A = 24" MIN
B = 3" MIN
C = 6" MIN

3" VENT INSTALLATION. 1 1/2" AIR INTAKE IS THE SAME AS IN FIGURE 20-A.

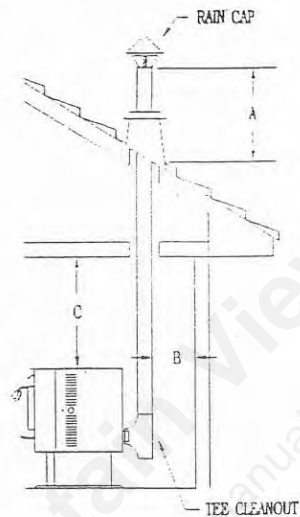


FIGURE 20-B

For safe installation and operation of your pellet stove, Read and Follow the safety instructions on pages 3 - 5 and throughout the manual.

Page 20

INSTALLATION & OPERATING GUIDE

8. For an installation which goes through the wall, but not through the roof, you may want to elect to follow the configuration shown in figure 21-A. The outside vent run should run at least 5'. Also, piping should be supported every 5'.

DIMENSIONS:

A = 16" MIN
B = 3" MIN

3" VENT INSTALLATION. 1 1/2" AIR INTAKE IS THE SAME AS IN FIGURE 17-A.

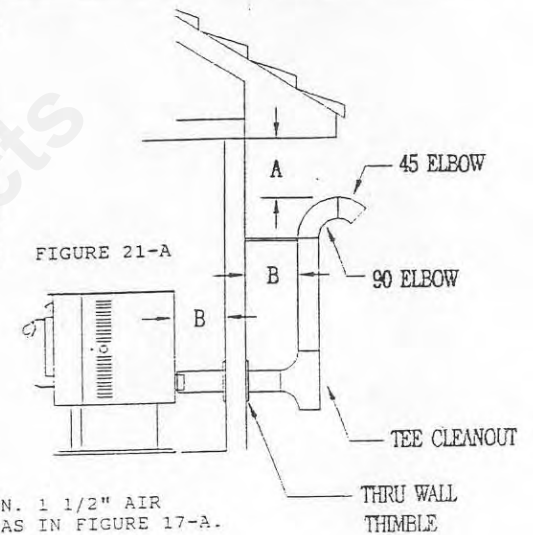


FIGURE 21-A

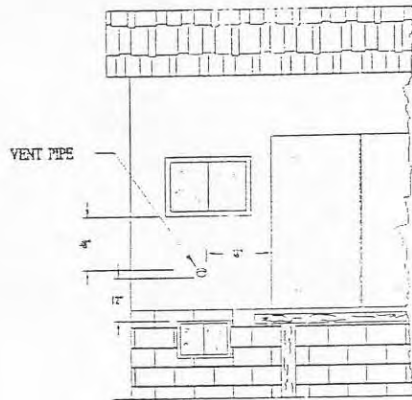
For safe installation and operation of your pellet stove, Read and Follow the safety instructions on pages 3 - 5 and throughout the manual.

Page 21

INSTALLATION & OPERATING GUIDE

INSTALLATION/FREESTANDING UNIT/DETAIL

The exit terminal shall be located not less than 48" from any opening through which exhaust could enter the building, (i.e. windows and doors), and not less than 24" from adjacent public walkways. It shall be arranged so that flue gasses are not directed in such a way as to pose a health hazard, overheat combustible structures or enter the building. Do not terminate the exhaust in an attic, garage, carport or any enclosed or semi-enclosed area, under a porch or sun deck, or near shrubs or combustibles stored near the outlet.



CLEARANCES	
FROM VENT EXIT TERMINAL, TO DOORS, WINDOW, OPENINGS	
HORIZONTAL:	48"
BELOW OPENINGS:	48"
ABOVE OPENINGS:	12"
ADJACENT WALKWAYS:	24"

For safe installation and operation of your pellet stove, Read and Follow the safety instructions on pages 3 - 5 and throughout the manual.

INSTALLATION & OPERATING GUIDE

INSTALLATION/FREESTANDING UNIT/DETAILS

1. Locate the four (4) hardware clips in the package that comes with the pedestal or leg frame kit. Attach the clips to the underside of the NPS-1000 heater. (Figure 23-A)

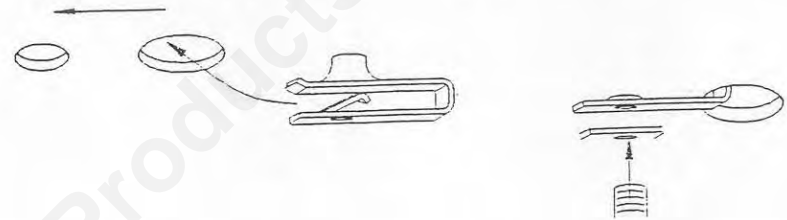


FIGURE 23-A

2. Bolt the pedestal or leg frame to the bottom of the heater with four (4) bolts through the holes provided on the pedestal and into the hardware clips that you installed in step 1.
3. Position unit on level surface. See positioning instructions.

For safe installation and operation of your pellet stove, Read and Follow the safety instructions on pages 3 - 5 and throughout the manual.

INSTALLATION & OPERATING GUIDE

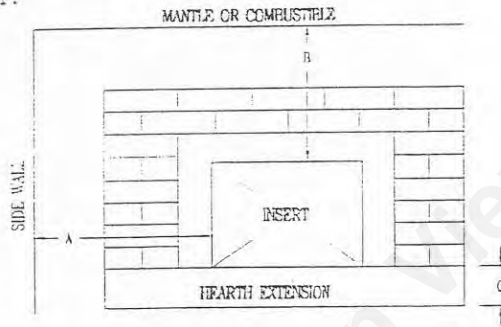
INSTALLATION/INSERT UNIT/POSITIONING

1. The NPS-1000 insert is designed to be inserted into an existing masonry fireplace or zero clearance box. The suitability of the existing firebox needs to be determined. You should insure that the heater is kept out of any traffic paths in the room, away from curtains, drapes or any other combustibles. You should also check that the existing fireplace was placed in a position where heat will be evenly distributed throughout the room.
2. If the existing fireplace is found to be suitable, the NPS-1000 may be installed using zero clearance.
3. While installing the NPS-1000, verify that the location will not interfere with the circulation air flow. The unit draws air from the grills on both sides of the unit.
4. The heater should be installed in such a manner so that the front of the unit remains unblocked. This will allow for needed service and maintenance to the unit and provide access to the firepot cleanout.

CLEARANCES FOR INSERT:

DIMENSIONS

- A = 3" (75mm)
- B = 6" (152mm)
- C = 6" (152mm)



For safe installation and operation of your pellet stove, Read and Follow the safety instructions on pages 3 - 5 and throughout the manual.

Page 24

INSTALLATION & OPERATING GUIDE

INSTALLATION/INSERT UNIT/VENTING

1. While the NPS-1000 is designed for both new installations and as an insert unit, it is NOT designed to fit into an existing fireplace without additional piping. Proper venting can be achieved by installing a new 3" or 4" TYPE PL double wall vent pipe or listed TYPE "L" chimney liner. The vent pipe may be run to the top of the existing chimney or to a point 18" above the damper of the existing chimney. Manufacturers of the new vent pipe used in the installation should be consulted for detailed installation instructions. Most will provide detailed drawings of venting plans which meet or exceed code requirements.

FOLLOW VENT MANUFACTURERS VENTING INSTRUCTIONS CAREFULLY. INSTALLATION DRAWINGS ARE FOR ILLUSTRATION PURPOSES ONLY.

WARNING: Operation of this unit when not connected to a properly installed and maintained venting system is dangerous.

2. The venting of this unit should not be connected to a chimney flue serving another appliance.
3. Joints need to be joined tightly with at least (3) sheet metal screws and sealed with high temp (500 degree) RTV (silicone).
4. Install the vent pipe directly over the vent adaptor on the back of the unit. Be sure to push firmly into position.
5. One method of installation requires that new vent pipe should extend above the top of the old chimney (consult local ordinances for distance) and should be fitted with a raincap to prevent moisture from getting back into the system. A storm collar and flashing should be purchased or fabricated to completely close off the old chimney opening. See Figure 25-A.

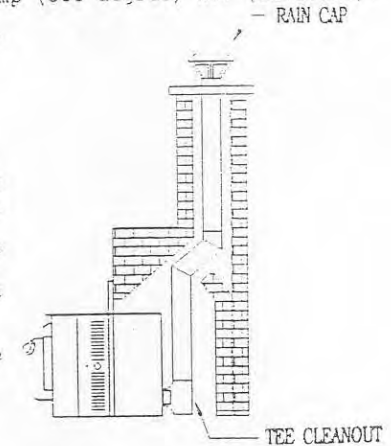


FIGURE 25-A

For safe installation and operation of your pellet stove, Read and Follow the safety instructions on pages 3 - 5 and throughout the manual.

Page 25

INSTALLATION & OPERATING GUIDE

6. Another method of installation allows new pipe to simply be run 18" past the existing damper, with a seal plate installed at or above the damper. See Figure 26-A

DIMENSIONS:

A = 18" FROM DAMPER

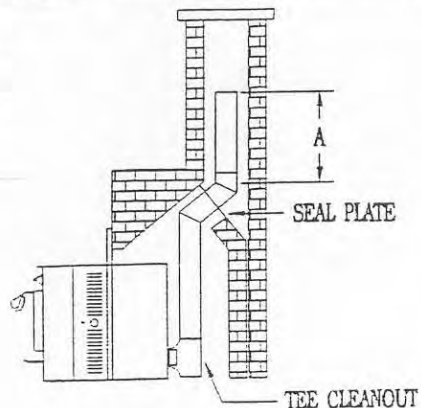


FIGURE 26-A

NOTE: The two preceding installation drawings did not spell out methods of running the air inlet line, which can be similar to the illustration accompanying the freestanding units or can be run out of the top of the chimney and ending with the pipe end facing down and with some screen to keep out debris. For best efficiency, locate air inlet 24" (607mm) or more from exhaust vent pipe.

7. **WARNING:** When installing unit as an insert into an existing fireplace, DO NOT remove any bricks or mortar from the old fireplace.
8. While running flue pipe up past the existing damper in the fireplace, lock the old damper into the open position.

For safe installation and operation of your pellet stove, Read and Follow the safety instructions on pages 3 - 5 and throughout the manual.

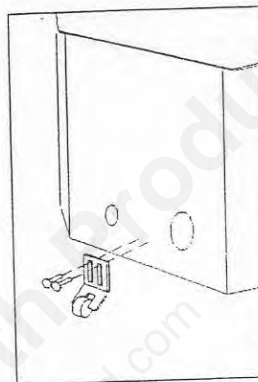
Page 26

INSTALLATION & OPERATING GUIDE

INSTALLATION/INSERT UNIT/DETAILS

1. Leveling the Insert:

- A- If the floor of the existing firebox that the unit is to be installed into is flat, check the surface for level and grout or shim as necessary to make the unit level.



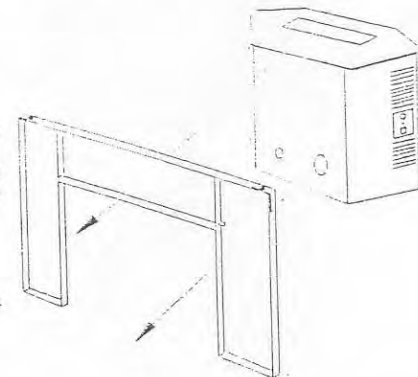
- B- If the floor of the existing firebox that the unit is to be installed into runs uphill, install the Leveling Bracket (provided) onto the back middle of the stove with self tapping screws, this will allow the unit to be inserted into the opening and provide an easy way to "wheel" the heater up the back slope of the firebox. It may take several tries to determine the best placement of the Leveling Bracket, moving it up and down in relation to the heater will allow the "tilt" of the heater to be adjusted. The slots in the Bracket should allow for "fine" adjustment after it is permanently attached.

2. The NPS-1000 is designed to be inserted into a 16" deep or greater firebox.

3. Installing the Shroud:

- A- After leveling and locating the unit and installing venting and power, pull the unit out from the wall enough to allow the shroud and it's insulation to be slipped into place.

- B- Push the unit in place, against the shroud. The shroud should form a tight seal all around the opening.



For safe installation and operation of your pellet stove, Read and Follow the safety instructions on pages 3 - 5 and throughout the manual.

Page 27

INSTALLATION & OPERATING GUIDE

INSTALLATION/MOBILE HOME STANDARDS

1. The heater must be permanently bolted to the floor
2. The heater must be permanently , electrically grounded to the steel frame of the mobile home.
3. The heater must have a permanent outside combustion air source.
4. **CAUTION:** THE STRUCTURAL INTEGRITY OF THE MOBILE HOME (floors, walls, ceilings and roof) MUST BE MAINTAINED.
5. **WARNING:** DO NOT INSTALL THE STOVE IN A SLEEPING AREA.
6. Check any other local building codes as they apply.

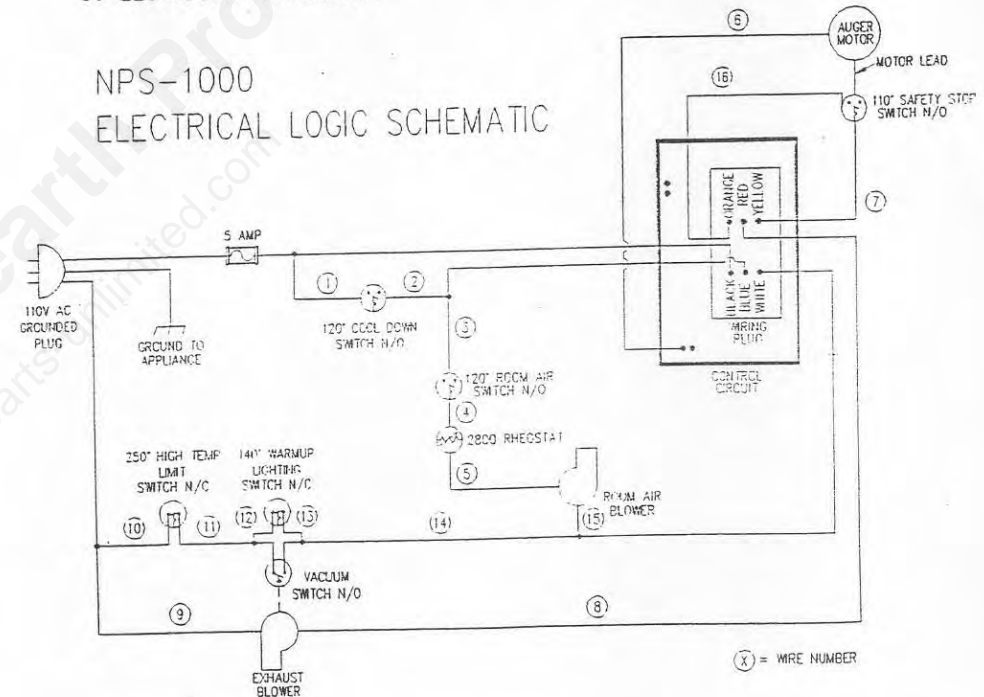
For safe installation and operation of your pellet stove, Read and Follow the safety instructions on pages 3 - 5 and throughout the manual.

Page 23

INSTALLATION & OPERATING GUIDE

ELECTRICAL INFORMATION

1. When an electrical supply line and outlet need to be installed, all installation must conform to local codes. In the absence of local codes, the National Electrical Code ANS2/NFPA 70-1987 will apply.
2. This appliance is equipped with a three prong (grounding) plug for your protection against shock hazard and should be plugged directly into a properly grounded three prong receptacle. Do not cut or remove the grounding prong from the plug.
3. Electrical Schematic:



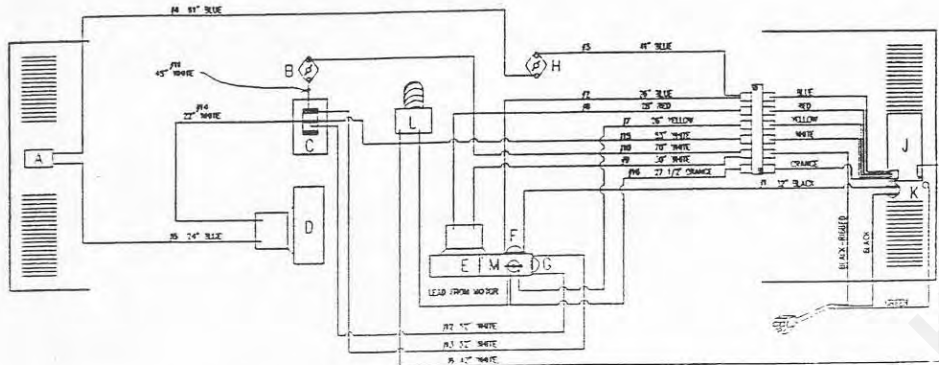
For safe installation and operation of your pellet stove, Read and Follow the safety instructions on pages 3 - 5 and throughout the manual.

Page 29

INSTALLATION & OPERATING GUIDE

ELECTRICAL INFORMATION

NPS-1000



- A - 2800 RHEOSTAT
- B - 250° HIGH TEMP LIMIT
- C - VACUUM SWITCH
- D - ROOM AIR BLOWER
- E - EXHAUST BLOWER
- F - 120° COOL DOWN
- G - 140° WARMUP
- H - 120° ROOM AIR
- I - TERMINAL BLOCK
- J - CONTROL BOARD
- K - 5 AMP FUSE
- L - AUGER MOTOR
- M - 110° SAFETY STOP

THIS DIAGRAM IS DRAWN AS IF LOOKING THROUGH THE BACK OF THE UNIT. SOME ITEMS ARE REVERSED FOR CLARITY.

* VACUUM SWITCH MOUNTED ON REAR OF UNIT

For safe installation and operation of your pellet stove, Read and Follow the safety instructions on pages 3 - 5 and throughout the manual.

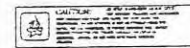
Page 30

TROUBLE SHOOTING GUIDE

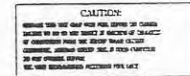
HEATER COMPONENTS: PLATES AND TAGS

THE FOLLOWING INFORMATION IS PRESENTED FOR YOUR INFORMATION, IN THE EVENT THAT YOUR UNIT LABELING BECOMES DAMAGED. ALL INFORMATION ON LABELING IS ALSO CONTAINED WITHIN THE OPERATING MANUAL. ILLUSTRATIONS ARE ARTIST RENDERINGS, YOUR LABELS MAY APPEAR SLIGHTLY DIFFERENT.

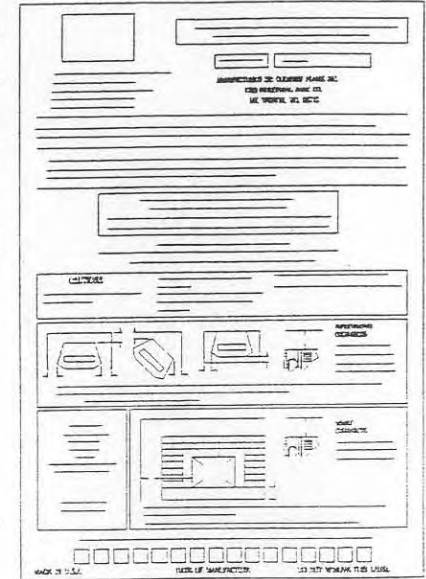
- Each NPS-1000 has a serial number and certification label attached to the back of the unit. Refer to the users manual or the label for the text of the label. Record your heaters serial number from the label for future reference.
- A label on the back of the unit warns that the stove is hot. See the safety section of your owners manual for more safe operating tips.



- A label is located under the hopper lid, which cautions the user to operate the stove with the lid closed.



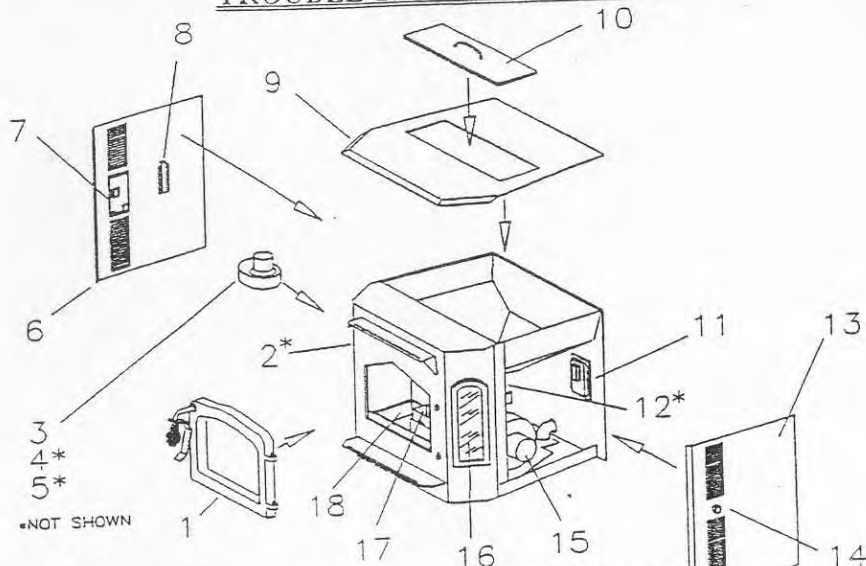
- There are also 2 electrical warning labels inside of the unit, warning that electrical service to the unit should be disconnected before servicing and advising that unit should not be run with covers removed.



For safe installation and operation of your pellet stove, Read and Follow the safety instructions on pages 3 - 5 and throughout the manual.

Page 31

TROUBLE SHOOTING GUIDE



*NOT SHOWN

- 1 - STOVE DOOR
- 2 - 120 DEGREE HEAT SENSOR
- 3 - EXHAUST BLOWER
- 4 - 120 DEGREE HEAT SENSOR
- 5 - 140 DEGREE HEAT SENSOR
- 6 - LEFT HAND DOOR
- 7 - CONTROL BOARD
- 8 - TERMINAL BLOCK
- 9 - OUTSIDE TOP
- 10 - HOPPER LID
- 11 - VACUUM SWITCH
- 12 - 250 DEGREE HEAT SENSOR
- 13 - RIGHT HAND DOOR
- 14 - 2800 RHEOSTAT
- 15 - ROOM AIR BLOWER
- 16 - SIDE GLASS
BRASS WINDOW FRAME
CAST WINDOW FRAME
- 17 - REMOVABLE FIREPOT
- 18 - REMOVABLE ASH PAN

- PLAIN IS CF-2200
- BRASS IS CF-2210
- PP-91
- PP-353
- PP-91
- PP-345
- PP-568
- PP-667
- PP-613
- NPS-66
- INSERT IS NPS-34 & NPS 35
- FREESTANDING IS NPS-43
- PP-352
- PP-347
- PP-569
- PP-351
- PP-355
- PP-235
- PP-538
- PP-538-C
- NPS-55
- NPS-56

TROUBLE SHOOTING GUIDE

HEATER COMPONENTS: REPLACEMENT PARTS

- NPS-034 HOPPER LID (BACK) (INSERT)
- NPS-035 HOPPER LID (FRONT) (INSERT)
- NPS-043 HOPPER LID (FREESTANDING)
- NPS-044 ASH PAN REMOVER
- NPS-047 SLIDE TOOL
- NPS-055 FIREPOT
- NPS-056 ASH PAN
- NPS-063 AIR INLET ORIFICE
- NPS-064 AIR INLET (HIGH ALTITUDE) ORIFICE
- NPS-066 OUTSIDE TOP
- NPS-127 AIR INLET ORIFICE
- NPS-I NPS-I INSTALLATION AND OPERATING GUIDE
- PP-004 ELECTRIC CORD
- PP-012 110 DEGREE HEAT SENSOR
- PP-037 CHARCOAL LOGO
- PP-088 GLASS TAPE, 1/16 X 3/4
- PP-091 120 DEGREE HEAT SENSOR
- PP-235 GLASS (SIDE, SMOKED)
- PP-259 HOPPER HANDLE
- PP-335 FUSE HOLDER
- PP-338 EXHAUST BLOWER GASKET
- PP-345 140 DEGREE HEAT SENSOR
- PP-347 250 DEGREE HEAT SENSOR
- PP-351 2800 RHEOSTAT
- PP-352 VACUUM SWITCH
- PP-353 EXHAUST BLOWER MOTOR
- PP-355 ROOM AIR MOTOR
- PP-361 ROOM AIR BLOWER GASKET
- PP-362 FUSE, 5 AMP
- PP-429 FEED TUBE FLANGE GASKET
- PP-430 FEED TUBE MOUNT GASKET
- PP-439 8/32-3/4 COUNTERSUNK SCREW-BLACK OXIDE
- PP-532 BRICK-LOOK PANEL (RIGHT & LEFT SET)
- PP-535 AUGER MOTOR
- PP-538 BRASS SIDE WINDOW FRAME
- PP-538-C CAST SIDE WINDOW FRAME
- PP-568 LEFT HAND DOOR
- PP-569 RIGHT HAND DOOR
- PP-613 TERMINAL BLOCK
- PP-667 CONTROL BOARD
- *PP-663 IGNITOR
- *PP-665 RELAY MODULE

*FOR MODELS WITH OPTIONAL AUTO IGNITOR ONLY

For safe installation and operation of your pellet stove, Read and Follow the safety instructions on pages 3 - 5 and throughout the manual.

For safe installation and operation of your pellet stove, Read and Follow the safety instructions on pages 3 - 5 and throughout the manual.

TROUBLE SHOOTING GUIDE

TROUBLE SHOOTING TABLE

SYMPTOM	PROBABLE CAUSE(S)	CORRECTIVE ACTION
1. EXHAUST BLOWER DOES NOT START	A. UNIT NOT PLUGGED INTO 110V OUTLET OR HOUSEHOLD FUSES ARE BLOWN. B. UNIT SAMP FUSE BLOWN. C. WIRE CONNECTIONS LOOSE. D. CONTROLLER OR EXHAUST BLOWER BAD.	PLUG IN UNIT AND RESET OR REPLACE FUSE. REPLACE UNIT SAMP FUSE (LOCATED ON ACCESS PANEL). CHECK WIRE CONNECTIONS. HAVE SERVICE PERSONNEL CHECK UNIT AND REPLACE NEEDED PARTS.
2. AUGER MOTOR DOES NOT FEED	A. UNIT NOT PLUGGED INTO 110V OUTLET OR HOUSEHOLD FUSES ARE BLOWN. B. 250 DEGREE OR 140 DEGREE SAFETY SWITCH STAYING OPEN. C. WIRE CONNECTIONS LOOSE. D. CONTROLLER OR AUGER MOTOR BAD.	PLUG IN UNIT AND RESET OR REPLACE FUSE. REPLACE FAULTY SWITCH. CHECK WIRE CONNECTIONS. HAVE SERVICE PERSONNEL CHECK UNIT AND REPLACE NEEDED PARTS.
3. AUGER COMES ON, BUT SHUTS OFF AFTER A FEW MINUTES.	A. VACUUM SWITCH NOT CLOSING B. 250 DEGREE SAFETY SWITCH MAY BE STAYING OPEN. C. CONTROLLER BAD.	CHECK TO SEE THAT EXHAUST BLOWER IS RUNNING. CHECK TO SEE THAT VACUUM HOSE HAS NOT COME OFF AND IS CLEAR AND OPERABLE. VACUUM SWITCH MAY BE BAD AND NEED TO BE REPLACED. REPLACE FAULTY SWITCH. HAVE SERVICE PERSONNEL CHECK UNIT AND REPLACE NEEDED PARTS.
4. ROOM AIR BLOWER FAILS TO TURN ON.	A. 120 DEGREE SWITCH DID NOT CLOSE. B. RHEOSTAT NOT WORKING. C. CONTROLLER BAD. D. BAD ROOM AIR MOTOR.	REPLACE FAULTY SWITCH. REPLACE BAD RHEOSTAT. HAVE SERVICE PERSONNEL CHECK UNIT AND REPLACE NEEDED PARTS. REPLACE ROOM AIR BLOWER.

For safe installation and operation of your pellet stove,
 Read and Follow the safety instructions on pages 3 - 5
 and throughout the manual.