



COUNTRY FLAME TECHNOLOGIES

INSTALLATION, OPERATION AND MAINTENANCE MANUAL

NPS-1000 PELLET FUEL STOVE FREESTANDING & INSERT MODEL

USA & CANADA TEST:

ASTM E 1509-03, ULCS627-M90

ULCS628-M92, UL 1482,

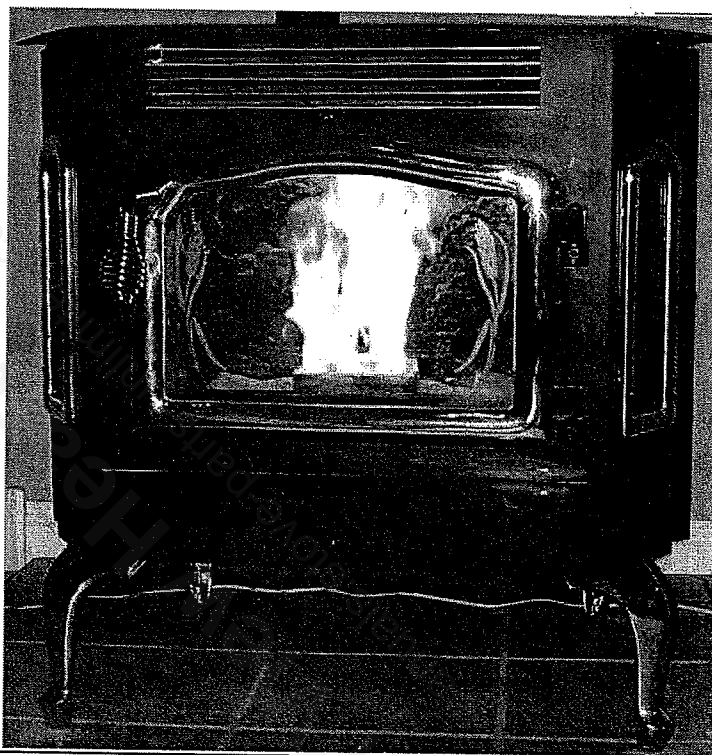
Oregon Administrative Rules 814-23-900 thru 909

TESTED BY:

WARNOCK HERSEY



MOBILE HOME APPROVED



FOR YOUR SAFETY

Do not store or use gasoline or other flammables (vapor or liquids) in or around the vicinity of this appliance.

Installation and repair must be performed by a qualified service agency.

Always check with local jurisdiction or code agency before installing

WARNING: If the directions in this manual are not followed exactly, a fire may result causing property damage, personal injury or loss of

© 2005

COUNTRY FLAME 

NPS-1000 TABLE OF CONTENTS

INTRODUCTION	3
SAFETY NOTES.....	4
SPECIFICATIONS.....	7
PRODUCT DESCRIPTION.....	8
AIR DAMPER ADJUSTMENTS.....	8
PRE-OPERATION NOTES	10
<i>Intelli-Choice</i> CONTROL PANEL.....	11
SYSTEM START-UP PROCEDURES.....	16
SYSTEM SHUT DOWN PROCEDURES.....	17
HOT SYSTEM RESTART PROCEDURES.....	17
MAINTENANCE	18
INSTALLATION PRECAUTIONS.....	20
FREESTANDING INSTALLATION	21
POSITIONING.....	21
VENTING.....	22
DETAILS.....	25
FREESTANDING LEG INSTALLATION	25
PEDESTAL INSTALLATION	25
INSERT INSTALLATION	26
POSITIONING.....	26
VENTING.....	27
DETAILS.....	28
MOBILE HOME INSTALLATION	29
ELECTRICAL INFORMATION.....	30
HEATER COMPONENTS: PLATES AND TAGS.....	31
WARRANTY	33

LOOK AT THE LABEL ON THE BACK OF YOUR NPS-1000 TO FIND THE SERIAL NUMBER. WRITE IT HERE _____ IMMEDIATELY.

Failure to do so will make servicing and maintenance questions difficult to answer and could result in needless inconvenience in the future. You will need the serial number of your unit if it requires servicing.

INTRODUCTION

Congratulations on the purchase of a Country Flame solid fuel pellet furnace heater. This heater was designed to provide safe, durable, reliable performance and after studying a few instructions, to ensure ease of operation.

The Country Flame NPS-1000 has been painstakingly designed with the homeowner's comfort in mind. From taking the chill off of a room on a cool evening to warming an entire house on a 24 – 7 basis, the NPS-1000 protects your pocket book with its thermal efficiency. Whether it is used to heat a single room or an entire home, Country Flame believes every homeowner will appreciate the speed with which the NPS-1000 can be lit and brought up to operating temperature. Sit back, relax, and enjoy the beauty and warmth of an efficient fire.

The NPS-1000 makes a homeowner feel as though they have slipped into the homey comforting glow of yesterday as you warm yourself in front of a beautiful fire with all the comforts of a good, solid wood burning stove, yet without the bulk and mess of a conventional wood heating system. While your neighbors trudge outside to chop wood and gather kindling, you'll be warming yourself by the fire, fueled by an easy to load pelletized solid fuel. On cold winter nights, the NPS-1000 will become a true family friend and will have you wondering how you ever got along without it.

Features:

- *Clean Pelletized Solid Fuel System
- *HOT 15 Tube Exchanger Design
- *Industry Proven Auger System
- *Gold or Nickel Door & Trim (optional)
- *Integrated Control System
- *Freestanding Queen Ann Legs

This is a comprehensive manual – to avoid confusion when installing your stove:

1. Read and familiarize yourself with the Entire Manual and Safety Notes.
2. Follow the Installation Instructions, Precautions, Positioning, Venting, and Details.
3. Follow the Operating Instructions, Lighting, Shutdown and First Time Operation.

SAFETY NOTES

TO ENSURE SAFE AND PROPER OPERATION – THIS MANUAL MUST BE USED FOR INSTALLATION OF THE NPS-1000. FURTHER, THE OWNER SHOULD RETAIN THIS MANUAL AND REFER TO IT FOR ALL OPERATION AND MAINTENANCE INFORMATION.

PLEASE READ ALL OF THIS MANUAL AND SAFETY NOTES. The Country Flame NPS-1000 Pellet Stove is different from conventional wood burning appliances. It is very important that you read and understand all of the instructions before installing and using your Pellet Stove. Follow the procedures and maintenance instructions outlined in this manual exactly. Failure to follow instructions may result in property damage, bodily injury, or even death. It is recommended that you have your unit installed by your authorized Country Flame dealer or at least have them inspect your installation.

1. Because Country Flame has no control over the installation of your unit, Country Flame grants no warranty, implied or written, for the installation or maintenance of your unit and assumes no responsibility for any consequential damage.
2. Fill out the warranty card included with your unit. Send the return portion of the warranty card to Country Flame. Please retain the other portion with this manual.
3. This heater will not operate using natural draft or without a power source for the blowers and fuel feeding system.
4. Never attempt to repair any part of the unit unless following instructions in this manual. Installation and repair should be done by a qualified service technician. Any parts removed for servicing must be replaced prior to operation.
5. Any modifications to the unit, unless authorized by Country Flame, could be dangerous and void the warranty of the unit.
6. This unit must be connected to a grounded standard 110-volt 60hz electrical outlet. **NEVER** use an adapter cord or cut or remove the grounding prong from the power cord plug.
7. **ALWAYS** wait until the unit is cooled and disconnect power before performing any maintenance or cleaning procedures.
8. **NEVER** place combustible objects on or near your heater.
9. **NEVER** allow children near heater during operation, and do not allow anyone to operate the unit who is unfamiliar with these instructions.
10. Children and adults should be alerted to the hazards of high surface temperature and should stay away to avoid burns or clothing ignition.
11. Young children should be carefully supervised when they are in the same room as the heater.

12. **NEVER** connect this unit to a chimney flue serving another appliance.
13. **ALWAYS** follow the lighting instructions in this manual; short cuts of any kind can be dangerous.
14. Check your local building codes and consult your insurance company before installing your unit.
15. Due to high temperatures, the pellet stove should be located out of traffic and away from furniture and draperies.
16. Clothing or other flammable material should not be placed on or near the room heater.
17. When disposing of ash accumulations from your unit, always place them in a metal container with a tight fitting lid. The closed container must be placed on a non-combustible surface well away from all combustible materials, pending final disposal. The ashes should be retained in the closed container until all cinders have thoroughly cooled.
18. Any safety screen or guard removed for servicing a room heater must be replaced prior to operating the room heater.
19. Your unit is designed and approved for burning of pelletized biomass fuel, which meets or exceeds APFI standards only. Burning of solid fuel in other than pellet form is not permitted. Failure to comply with this restriction will void all warranties and the safety listing of the unit. Poor quality fuel will directly (*and adversely*) affect efficiency and cleanliness of your unit's operation. Your Country Flame dealer can help you make the proper fuel choice for your area.
20. **NEVER** use gasoline, gasoline-type lantern fuel, kerosene, charcoal lighter fluid or similar liquids to start or "freshen up" fire in this heater. Do not store or use gasoline or other flammable vapors and liquids in the vicinity of this or any other appliance.
21. **INSTALL a smoke detector within the proximity of your pellet stove.**
22. **NEVER** put foreign objects in the hopper. **NEVER** burn trash or unapproved material in your NPS-1000.
23. **NEVER** block free airflow through open vents.
24. The exhaust system should be checked twice a year (minimum) for any buildup of soot or creosote.

25. This unit's exhaust system works with a negative combustion chamber pressure and a low positive flue pipe pressure. It is very important that the exhaust system be properly installed and air tight. The flue pipe joints should be sealed. Use high temperature RTV (500⁰F) (260⁰C) silicone sealant or aluminum flue tape and secured each joint with at least (3) sheet metal screws. Improperly installed stove flues are the major cause of home fires.
26. When installed in a mobile home, a pellet stove must be grounded to the steel chassis of the mobile home and bolted to the floor in compliance with and according to H.U.D. requirements.
27. SOOT AND FLYASH: The products of combustion will contain small particles of flyash. The flyash will collect in the exhaust venting system and restrict the flow of the flue gases. Incomplete combustion, such as occurs during start-up, shut down, or incorrect operation of the room heater will lead to some soot formation which will collect in the exhaust venting system. The exhaust venting system should be inspected at least once every year to determine if cleaning is necessary.

SPECIFICATIONS

FUEL TYPE: A.P.F.I. residential fuel
Heat Content: 8200 BTU/lb. min.
Bulk Density: 40 lb. /cubic ft. min.
Moisture Content: 8% max
Ash Content: 1% max
Size: ¼" to 3/8" diameter
1.5" long max
Fines: 1% max through 1/8th screen

HOPPER SIZE: 55 pound hopper capacity

FLUE SIZE: 3" or 4"
TYPE: PL double wall vent with stainless steel inner liner

AIR INLET: 1 ½" Sch 40 Black Iron Pipe

AUGER TYPE: Tumac 2 ¼ Auger Pellet Feed System

CONTROLS: Integrated Feed Rate/Blower Speed Controls

ELECTRICAL: 120 Volts, 2.4 Amp, 60 Hz

MEASUREMENTS:

UNIT BODY HEIGHT	22 3/4"
HEIGHT ON PEDESTAL	32 3/4"
HEIGHT ON LEGS	29"
UNIT WIDTH (rear)	25 1/2"
UNIT WIDTH (widest)	30 3/4"
UNIT DEPTH	24 1/2"
SHROUD HEIGHT	29 3/4"
SHROUD WIDTH	41 1/2"

CLEARANCES:

SIDES & BACK	3"
TOP TO COMBUSTIBLE	6"
TOP TO CEILING	6"

*Combustible Flooring must be covered with non-combustible material extending 8" (150 mm) from front of unit and 8" (205 mm) from unit on each side. The floor protection on the sides of the stove only has to extend to the vertical sidewall(s) if the clearances are less than 8".

PRODUCT DESCRIPTION

The NPS-1000 Pellet Stove is designed to sit on legs as a freestanding unit. It can also be installed as an insert but will require optional parts that will require local manufacturing support or special order parts from Country Flame. The basic stove unit without an insert shroud measures 23" high by 31" wide and 34" deep. Centered above the firebox glass front door is a louvered vent through which room convection air is passed.

The right side panel of the NPS-1000 has louvers that allow airflow into the back of the stove. The left side of the unit has an integrated "*Intelli-Choice*" control board. The *Intelli-Choice* controls include 5 heat settings, an ON/OFF switch, and various lights that indicate proper operation. On the back of the stove is a 3" exhaust tube and a 1 ½" inlet combustion air tube. The top of the unit lifts up for easy loading of fuel. An optional two piece lid is required if the NPS-1000 is to be used as a fireplace insert.

1. The Country Flame NPS-1000 is remarkably simple and safe in its operation. From a relatively small firebox over 40,000 BTU's per hour can be produced.
2. The fuel (APFI approved) is loaded into the hopper that can hold up to 55 pounds depending on quality and size of fuel product. After a fire has been started (see lighting instructions) an angled drive auger delivers fuel, a few pellets at a time, into the firepot at a controlled rate. It is up to the homeowner to properly adjust the damper to ensure proper combustion of the fuel. A combustion air blower pulls directed air through the burn pot, creating a vigorous, efficient burn. The hot exhaust gases pass around a 15-tube heat exchanger. The heat exchanger tubes extract heat from the combustion air as it is discharged into the flue system.
3. A separate room air blower circulates room air through the heat exchanger tubes. This action pushes warm air into the room from the heat exchanger tubes while pulling cool air into the stove to be reheated. The room air blower is controlled by the *Intelli-Choice* control board and ensures a constant flow of warm air into the living space while fuel is being efficiently burnt by the NPS-1000.
4. The NPS-1000 delivers a constant amount of heat, which can be varied by changing the temperature setting on the *Intelli-Choice* control board. Besides initial lighting of the unit, the only regular customer attention needed will be to:
a) properly adjust the damper for efficient burn, b) ensure the 55 pound hopper is kept filled with fuel, c) periodically inspect the firepot for "clinkering" (see operating instructions) and d) removal of ash buildup as required during long periods of use.

AIR DAMPER ADJUSTMENTS

Each NPS-1000 is shipped with a combustion air damper control. The combustion air damper control is located on the front of the NPS-1000 just below the metal hearth plate. As site specific operating conditions require; such as fuel type,

altitude, and different customer usage, there will be a requirement to adjust the combustion air damper for more or less air into the burn pot. To vary the air, the air damper control is slid in (less air) and out (more air.)

1. Conditions that may warrant more combustion air are:

- Hardwood pellets
- Higher altitudes
- Increased heat settings (Heat Setting # 3 thru 5)

2. Conditions that warrant less air:

- Softwood pellets
- Low altitudes
- Lower heat settings (Heat Setting # 2 thru 3)

3. Conditions that warrant even less air:

- Softwood pellets
- Low altitudes
- Lower heat settings (Heat Setting # 1 and 2)

Things a homeowner should watch for:

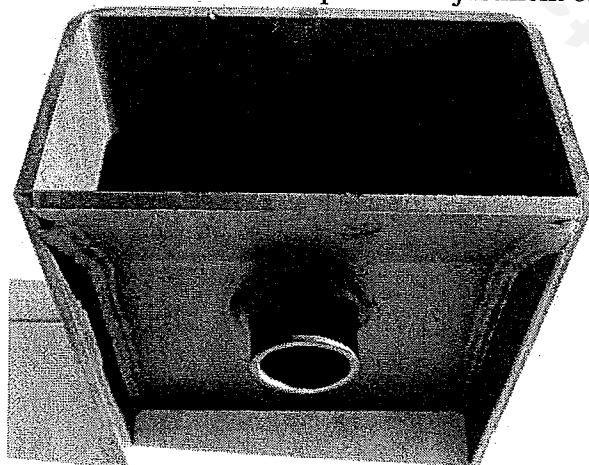
TOO LITTLE AIR

- Extremely lazy flame
- Extremely black and dirty conditions in firebox
- During extended burn or high heat settings (causes too many pellets in firepot)

TOO MUCH AIR

- Flame is aggressive but as time progresses, the flame is barely visible
- Fire disappears in burn pot or goes out on low settings
- Pellets are blown from burn pot in big chunks and lay in ash pan.

Note: Once you have determined the correct air usage for the heat setting and local site conditions, the air damper control will not need to be adjusted as often. Remember, any change in site specific conditions will require an adjustment of the air damper.



PRE-OPERATION NOTES

1. Thoroughly read and understand this manual. Pay particular attention to the maintenance and safety sections of this manual. Failure to inspect the stove and understand these instructions may cause unsatisfactory performance.
2. Check to see that all intake and exhaust vents are properly tight and correctly installed. Failure to maintain tight connections will cause leakage of intake or exhaust gases and this will adversely affect the performance of the NPS-1000.
3. Remove protective materials such as plastic coverings, plastic bags, and other material shipped with the stove before beginning starting any fire.
4. Insure that the stove is connected to a code approved 120 volt AC power source. Ensure that the input power provided to the pellet stove is stable and not varying. If necessary, include a cost-effective UPS (power source) installed in-between the pellet stove and house power to minimize any power fluctuations.
5. Open the hopper lid and inspect the hopper before filling with fuel. ENSURE that at no time that any foreign objects are left in hopper before loading it with approved pellet fuel.
6. The first time the Country Flame pellet stove is fired up, an odor or smoke may emanate from the pellet stove. This is normal and should not last very long. Once the unit is "broken in" (after that first firing) no future odors or smoke should appear.
7. Fuel should conform to A.P.F.I. standards (see page 7).

Intelli-Choice CONTROL PANEL

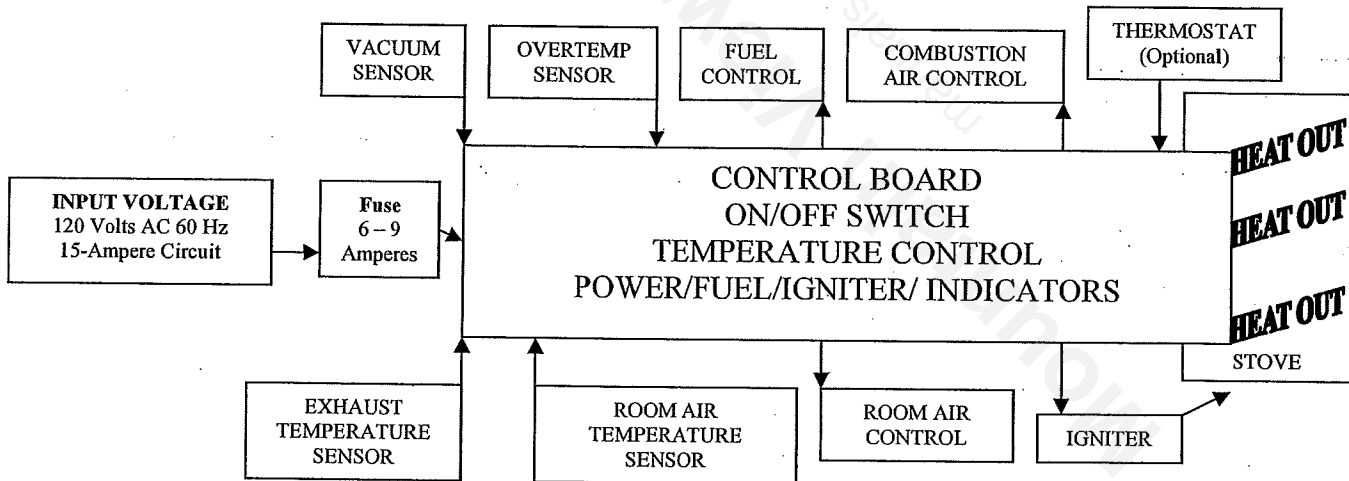
Country Flame Technologies introduced its exclusive control board design 2001. This control board technology was introduced across all lines of Country Flame's pellet and corn stove products. Country Flame continues to demonstrate leadership in bringing new products to market and will continue to ensure the evolution of its control board technology in order to bring reliable, supportable, and sustainable biomass-fueled products to market throughout the 21st Century.

Country Flame's control board design goal was simple:

PROVIDE THE LATEST CONTROL METHODOLOGY TO ENSURE MAXIMUM BURN EFFICIENCY WHILE AUTOMATICALLY CONTROLLING AS MANY ENVIRONMENTAL AND SYSTEM VARIABLES IN ORDER TO ENSURE CUSTOMER SATISFACTION WITH THE PRODUCT WHILE GAINING CONFIDENCE IN THE PRODUCTS ABILITY TO OPERATE WITH LIMITED CONSUMER EFFORT.

Country Flame's control board technology is defined as an "open system." This means that Country Flame will seek to provide the most advanced controls methodology while maintaining the look and feel that our dealers and customers have come to know and trust. This means that a purchase of today's Country Flame product allows a customer to upgrade to newer and more advanced technology, as it becomes available while minimizing cost. Country Flame is committed to ensuring its customer base will remain a life long family member once the initial purchase of product is complete. Country Flame's goal is to ensure a qualified service technician can diagnose and repair any Country Flame product problem in less than 30 minutes from arrival to departure of a customer's home. The service technician will have to demonstrate an understanding of control methodology, sensor technology, basic electric theory, and system operation in order to assist in achieving these Country Flame goals.

The following block diagram demonstrates the basic theory behind today's Country Flame control board technology:



The basic block diagram shows the input and output components to the control board. The failure of any of these items to work properly will cause a malfunction in the system. Further information on each function is provided in the tables below.

Input Voltage	Alternating Current (AC) Input provided by the local power company. This source of energy must provide a 120 Volt input signal with a frequency of 60 Hertz and a maximum branch current capacity of 15 Amperes. If other devices are connected to the branch, interference or over current may cause circuit breaker to trip.
Fuse	The AC fuse should be rated between 6 and 9 amperes. The recommended fuse is a Little Fuse Model
Vacuum Sensor	Ensures that no blockage of the combustion input or combustion exhaust air occurs. If the vacuum sensor does not operate properly, the Control Board will not allow the stove to operate.
Exhaust Temperature Sensor	Presently, this sensor is a snap disk operating at 110° F +/- 20° F. This sensor ensures proper exhaust temperature has been reached and that a fire is present in the burn pot before the control system begins the burn cycle.
Room Air Temperature Sensor	Presently, this sensor is a snap disk operating at 110° F +/- 20° F. This sensor ensures that a proper amount of heat is available at the heat exchanger before the room fan is allowed to operate. If the sensor allows the fan to come on too early, the combustion chambers temperature could drop to the point that self-combustion (ignition temperatures) cannot be maintained.
Overtemp Sensor	Presently, this sensor is a snap disk operating at 250° F +/- 20° F. The purpose of this sensor is to shut the entire system down in the event the firebox causes an overheat condition.
Fuel Control	The fuel control is a signal provided from the Control Board to the Auger Feed Motor. The Control Board controls the amount of time that the Auger Feed Motor is on and thereby controls the amount of fuel fed to the fire pot.
Room Air Control	The room air control is a signal provided from the Control Board to the Room Air Fan. The Control Board controls the phase angle and thereby the amount and time an AC voltage is applied to the Room Air Fan. This signal controls the speed of the room air passing over the heat exchanger tubes and the amount of heat delivered to the living space.
Combustion Air Control	The combustion air control is a signal provided from the Control Board to the Combustion Fan. The Control Board controls the phase angle and thereby the amount and time an AC voltage is applied to the Combustion Air Fan. This signal controls the speed of the combustion air passing through the burn pot for the different heat settings
Igniter	An AC heating element used to provide initial heat to the pellet combustion process. Once the Control Board senses combustion, the Igniter is shut off to conserve energy usage.
Thermostat (optional)	A thermostat input is provided on the back of each Country Flame product. The Control Board has individual personality modules that allow for stand-alone, semi automatic, or fully automatic thermostat operation.

Below is a graphical display of the Country Flame Control Board front Panel. Each function of the Control Board is identified. Those control functions having secondary functions are identified with asterisks. The secondary functions will be explained in following paragraphs.



Intelli-Choice CONTROL PANEL

ON/OFF SWITCH	The ON/OFF Switch serves to turn the system on and off by holding the switch for approximately 5 seconds. The ON/OFF Switch can also be used to initiate the FUEL PRIME MODE by holding it for approximately 15 seconds. When in the prime mode the Thermostat lights will sequentially light from top to bottom simulating a “filling action” of the auger tube. In a fully automatic mode pellet stove, the ON Function of the switch is ignored.
HEAT UP/ HEAT DOWN SWITCH	When these two switches are pressed during the STARTUP CYCLE only, they can be used to turn the stir rod of the Harvester model. In all other pellet stoves these switches only function as heat up and down switches.
DC POWER LIGHT	This is a 3-color light when AC power is applied. A red light indicates that the Control Board has DC Power available but the system is off. A green light indicates that the System is on. A yellow light indicates that the combustion air should be cleaned. As Country Flame works to improve the sensor technology, this yellow light will become more valuable to the service technician as well as the homeowner.
HIGHWAY PATROL MODE	When all Control Panel lights are flashing on and off, this indicates that the Product has an encountered an unknown state. Nothing more, nothing less. The purpose of these flashing lights is to alert the home owner or the service technician that the stove operation ended out of sequence, ran out of fuel, or encountered a power interruption that the Control System could not recover from.
COOL DOWN MODE	In the Cool Down Mode, the Heat Setting lights will sequentially go out from top to bottom, all relight and then sequentially go out from top to bottom. This cycle will continue until such time that the Control Board senses the stove has properly cooled down.
HEAT SETTING 1 THROUGH 5	Each heat setting, controlled by the stove Heat Up or Heat Down switch, is provides as much combustion air and fuel as is required for that heat setting. Due to the number of unique environmental variables as well as variations in pellet fuel used in different regions, Country Flame cannot provide exact BTU ratings for each heat setting except those that were established in Government Test Labs under controlled conditions. At the same time, the rule of thumb is that each heat setting on the Country Flame line of Biomass Product starts at one pound of fuel per hour and increments to a top setting of five pounds of fuel per hour. Using a BTU rating of from 4,000 to 10,000 BTU per pound of fuel, depending on the type and moisture content of the fuel, an estimate of heat output can be made.

In order to utilize the full capabilities of the Control Board, the service technician should familiarize himself with the backside of the Control Board. The following diagram provides additional information about the major components of the Control Board's backside.

**AC Transformer
Converts 120VAC
To 9.6VAC for
Board operation.**

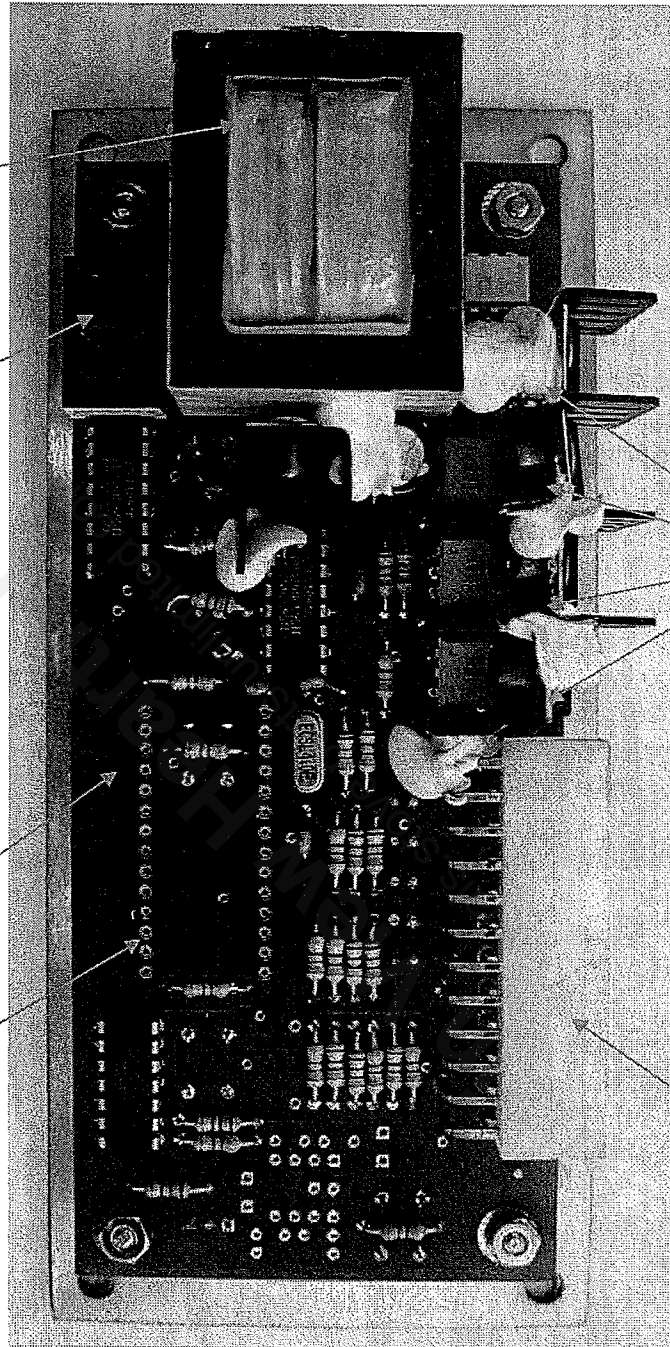
**7 Segment Display
Used for Providing
Trouble Codes**

**Control Board
Serial Number**

**Personality
Module Socket**

**AC Motor &
Igniter Control**

**Molex Connector
used to interface
to wiring harness**



CONTROL PANEL (backside)

SYSTEM START-UP PROCEDURES

1. Ensure that the Pre-Operation Notes in this manual have been read and understood.
2. Remove the hopper lid and fill the hopper with approved pellet fuel. Replace the hopper lid.
3. "Prime" the new pellet stove with fuel. Priming fills the auger with pellets. This normally needs to be done when the stove is new or whenever the stove auger has been run empty. To prime the stove press the "on/off" button on the control and hold it in for 15 seconds until the green light by the auger symbol comes on and then release the "on/off" button. The heat level indicator lights on the control panel will then light from the low to high settings and repeat. The prime setting will stay on for 5 minutes or until the operator pushes the "on/off" button. When you see pellets begin to drop in the fire pot you will know that the auger is primed with fuel. Turn off the "prime" feature by holding in the "on/off" button for 5 seconds. It is then best to empty the fire pot of pellets if a large quantity of pellets has been allowed to feed into the firepot and begin the lighting process.
4. Push and hold the "ON/OFF" button on the control board for 5 seconds until the green light next to the "on/off" button lights up. Release "ON/OFF" button. Your unit is now in the start-up mode and the red light next to the igniter symbol and the green light next to the auger symbol will come on.
5. The stove will automatically light and complete the ignition cycle. Adjustment of the air damper control may be necessary depending on the cleanliness of the stove and present weather conditions.
6. When the ignition cycle is complete the stove will start up in the # 3 heat setting.
7. **Set the control setting at the desired feed rate by pushing the red or blue arrow buttons.**
8. The Room Air Blower will activate once the heat sensor warms up. This takes a few minutes.
9. There will be some odor as the paint cures when the stove is new. This is normal
10. You are now ready to enjoy your new Country Flame Pellet stove.
11. In the unlikely event that the ignition system should ever fail, you may use Starting Gel to light the pellets.
12. ***Starting Gel or Fluid*** can be obtained from your Hearth store. ***DO NOT USE CHARCOAL LIGHTER!!*** Place pellets in the firepot by hand. Squirt gel on top of the pellet bed in the firepot. Immediately light the gel and close the door. Once the pellets are burning, push the "On/Off" button until the light turns green. Release the "On/Off" button and monitor the stove start up for a few minutes.

13. Questions or concerns about lighting or other stove operations should be directed to a local Country Flame dealer.

14. **OPTIONAL THERMOSTAT:** **Contact your Country Flame Dealer**

SYSTEM SHUT DOWN PROCEDURES

Simply push the "ON/OFF" button and hold for 5 seconds until the lights on the heat settings start to flash from top to bottom. This designates the "cool down" cycle. The feed auger will shut off immediately and the blowers will shut down when the unit has cooled off sufficiently.

The stove will remain in the cool down cycle until such time that the *Intelli-Choice* control board senses that all temperature sensors have returned back to their "normal" startup state. Once this occurs, the *Intelli-Choice* control panel will shut down all fans and turn off the system. Until shut off is complete, the *Intelli-Choice* control panel will remain with its temperature lights moving in a downward motion as the entire group of lights is turned on and each one turned off from top to bottom to simulate a reduction in temperature.

HOT SYSTEM RESTART PROCEDURES

Should the operator decide to restart the pellet stove during the cool down cycle, simply push and hold the "Red" arrow button down 15 seconds until the igniter (red) and auger (green) lights come on. This initiates the "hot restart" mode has begun. The *Intelli-Choice* control panel will restart the stove by turning on the igniter and feeding pellets into the burn pot.

IMPORTANT: If any changes have been made to the air damper setting during any of these shut off procedures, it is important to monitor the hot restart until such time that the fire is properly burning. Failure to properly set the air damper based on changes made in temperature settings can lead to "fuel rich" or "fuel lean" operations. Either of these conditions requires attention by the operator to properly correct before leaving the stove unattended. Once placed in the hot restart mode, the pellet stove will automatically proceed into the burn cycle. Adjustment of the air damper may be required depending on the cleanliness of the stove or other site specific conditions.

MAINTENANCE

1. If pellets contain a large amount of “fines” (foreign matter), maintenance of the hopper and heat exchanger will be required. Screening of pellets before use may be required in order to reduce hopper and heat exchanger maintenance.
2. Sand in the pellets will cause “clinkering” (hard brittle deposits found in the bottom of the firepot). Clinkering is caused by fuel impurities, but may be intensified if the stove is run with a low amount of hopper fuel. A full load of fuel allows less cool air to enter the burnpot as pellets drop in.
3. A clinker may be removed with a spoon and dropped into the ash pan. NOTE: For safety reasons, only remove clinkers from a stove when it is cool. When the stove is cold, the firepot can be pulled out and removed for a thorough cleaning.
4. SOOT AND FLYASH: the products of combustion will contain small particles of flyash. The flyash will collect in the exhaust venting system and restrict the flow of the flue gases. Incomplete combustion, such as occurs during start-up, shut down, or incorrect operation will lead to some soot formation that collects in the exhaust venting system. Exhaust venting systems should be inspected twice each year to determine if cleaning is necessary.
5. Frequency of cleaning depends on a particular installation, fuel type, and frequency of usage. The NPS-1000 cleaning needs is determined by inspection or by a marked decrease in performance. Check and clean a stove often to maintain peak performance. Always shut off the power to the unit and allow it to completely cool off when planning to perform cleaning and maintenance.
6. The exhaust vent system should be checked frequently, at least once a season and cleaned at least once a season.
7. Check to insure that the fresh air intake is clear and unobstructed, especially at the start of the season.
8. The Heat Exchanger has a simple cleaning feature. A small rod protruding through the front of the stove connects to a cleaning plate that slides over each heat exchanger tube. Pull and push the rod back and forth. This effectively removes ash and debris from the surface of the heat exchanger. Performing this step often will insure that cleaning is an easy task. If buildup is allowed to go unattended, cleanup will be much more difficult and the efficiency of the stove will be adversely affected.
9. The ash pan can be removed using an ash pan removal tool (furnished) or a glove. Lift the ash pan up and out the door. Dump the ash pan into a fire safe, covered container. The firepot may be lifted out and dumped using a glove. Using an approved ash vacuum, vacuum out the bottom of the unit paying close attention to the air inlet. Once clean replace all parts. This cleaning should be done monthly or as needed to insure proper operation. An annual cleaning should be accomplished by a certified professional to ensure proper performance.
- 10.

11. Depending on usage, both the room air & exhaust blowers may need to be oiled once a year with proper electrical motor oil. Locate the oil ports on either the side or top of the units and add three drops of oil. This simple step will greatly increase the life and serviceability of your unit. Newer models or replacement motors may have sealed bearings and not require any oiling but only routine cleaning.

12. Cleaning of the door glass (ceramic) should be done with a mild non-abrasive cleaner when cool. Speedy White is an excellent glass and stove cleaner. Creosote builds up on glass quickly when a fire is burned at low settings. DO NOT use abrasive cleaners on glass. Periodically clean out the door air wash (a groove at the bottom of the door). This air wash directs air over the glass to minimize soot buildup.

13. Annually inspect the door gasket. This is done by taking a 2" strip of paper and shutting the door on it. Gently pull on the paper to test the gasket seal. Check all around the gasket using this method. If the paper slides out easily, the door gasket needs to be replaced. Replace both door and glass gasket at the same time.

To replace the gaskets, remove the door by lifting it straight up, off of its hinge pins and lay face down on a soft surface. Remove the door gasket (you may need to use pliers). Remove glass retaining clips and remove glass. Strip off old gasketing around the glass and clean the glass. Clean out old gasket material from gasket track.

Once the door and glass are clean, apply glass tape to the glass edge and return the glass to the door. Secure the glass with the clips (use **care not to over tighten the clips as glass breakage will occur.**) Apply a generous bead of gasket cement into the track. Position the new rope gasket into the window frame. Gently press this gasket into the door to ensure proper "seating." Trim off any excess rope gasket and wipe away excess cement. Let the cement set 24 hours before reinstalling the door onto the stove. Country Flame or your dealer can provide all the material necessary.

14. Replacement glass should be 0.200" (5mm) thick. Overall size of the glass is 16" (405mm) wide by 11" (279mm) high, cut to an irregular shape to fit the door front. Your unit uses Corning Pyroceram II, or a similar ceramic type high temp glass. Do not use any other glass type in this unit. Replacement glass may be obtained from Country Flame or an authorized dealer.

15. Use care not to slam or strike the door as this could result in glass breakage. If the glass in a pellet stove is broke or cracked, DO NOT operate the unit until the ceramic glass has been replaced.

INSTALLATION PRECAUTIONS

IMPORTANT: Read all instructions carefully before starting installation. Failure to follow these installation instructions may result in a possible fire hazard and will void the Country Flame warranty.

1. Look at the label on the back of your unit to find the serial number. Write the serial number of the unit on the Table of Contents page immediately. Failure to do so will make servicing and maintenance questions difficult to answer and could result in needless inconvenience in the future. You will need the serial number of your unit if it requires servicing.
2. When installing appliance
 - A. When installing heater as an insert or as a freestanding unit, adequate clearances must be strictly adhered to.
 - B. Allow for adequate accessibility for servicing and proper operations.
 - C. When establishing clearances, measure from any combustible projection, such as; shelves, windowsills, fireplace mantles above the appliance, etc.
 - D. Proper vent installation is required for safe, reliable operation. Follow vent manufacturers instructions closely.

WARNING: OPERATION OF THIS HEATER WHEN NOT CONNECTED TO A PROPERLY INSTALLED AND MAINTAINED FLUE VENTING SYSTEM IS DANGEROUS.

- **DO NOT INSTALL A FLUE DAMPER IN THE EXHAUST VENTING SYSTEM OF THIS UNIT.**
- **DO NOT CONNECT THIS UNIT TO A CHIMNEY FLUE SERVING ANOTHER APPLIANCE.**
- **MAINTAIN VENT PIPE CLEARANCES AS SPECIFIED BY THE VENT PIPE MANUFACTURER.**

FREESTANDING INSTALLATION

POSITIONING

1. When determining a proper location for the NPS-1000 keep in mind the stove should be kept out of any traffic paths in a room and its should be kept away from curtains, drapes or any other combustibles. The NPS-1000 should be placed in a position where heat will be evenly distributed throughout a room or the house.
2. When a final location is determined, position the unit within the clearance parameters shown below.
3. **MINIMUM CLEARANCES:** FIGURE 1 provides minimum clearances for the NPS-1000 installation based on use of double-wall flue pipe. Dimensions A, B, and C are all three inches for the NPS-1000

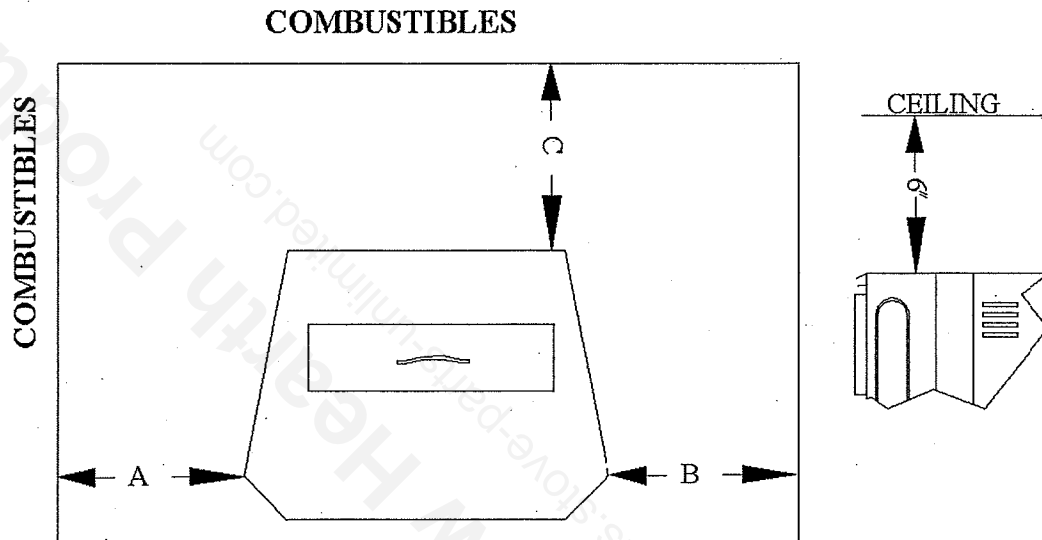


FIGURE 1: NPS-1000 FREESTANDING CLEARANCES

4. If installing a pellet stove on carpet, linoleum or other combustible material, floor protector is required. It should be at least 46 $\frac{3}{4}$ " wide and 30 $\frac{1}{2}$ " deep and placed directly under the pellet stove. This floor protection must be made of metal or some other non-combustible material, such as ceramic tile or brick. **EXCEPTION: Only if the nps-1000 is installed with the pedestal option, no floor protection is required.**
5. Verify that the final location of an NPS-1000 does not interfere with or block airflow. The NPS-1000 draws air from the side grills on the left and right doors.
6. **WARNING: ALL combustibles in front of a NPS-1000 must be kept a minimum of at least 48" (120cm) from the unit. Remember that combustible vapors can travel a long distance.**
7. A combustible mantel may be located no closer than 6" (150cm) to the top of a freestanding heater.

VENTING

1. After setting the NPS-1000 at its final location, a proper flue vent system must be installed in accordance with local and national codes. The NPS-1000 has a 3" rear pipe designed to be connected to a number of different manufacturer's flue pipe. Proper venting can be achieved by installing 3" TYPE PL double wall pipe according to code requirements. Country Flame requires the use of 4" flue pipe if lengths of ten feet or greater are to be used in a specific installation. Manufacturer's instructions for pellet flue vent pipe should be consulted for detailed installation instructions of their specific product. Pipe manufacturers provide detailed drawings of venting configurations, which will meet or exceed code requirements. This information is available from hearth dealers or can be downloaded from a specific pipe manufacturer's websites.

FOLLOW ALL VENT MANUFACTURER'S VENTING INSTRUCTIONS. INSTALLATION DRAWINGS ARE FOR ILLUSTRATION PURPOSES ONLY.

WARNING: Operation of the NPS-1000 is dangerous when not connected to a properly installed; code approved, and properly maintained flue system.

2. The venting of this unit should NOT be connected to a flue serving another appliance.
3. At least a 3" clearance is required from all combustibles to the flue pipe, when using required TYPE PL double wall vent pipe with stainless steel liner. This includes the area(s) where the pipe passes through the roof. Clearance is met by installing flashing in roofs and fire stop spacers between floors and ceilings. A thimble is needed for thru-wall applications. Do not install a flue damper in an NPS-1000.
4. Install the flue pipe directly onto the exhaust pipe on the back of the NPS-1000. Be sure to push firmly into position. Each flue pipe joint needs to be joined tightly with at least (3) sheet metal screws and sealed with RTV silicone or aluminum flue tape. Air tight venting is required of each flue pipe joint.

NOTE: OUTSIDE COMBUSTION AIR IS STRONGLY RECOMMENDED, BUT NOT REQUIRED (EXCEPT IN MOBILE HOMES.) IF ROOM AIR IS USED AS COMBUSTION AIR, A BAROMETRIC AIR VENT SHOULD BE INSTALLED WITHIN A HOME TO MONITOR AND ENSURE ADEQUATE AIR FLOW INTO THE HOME.

5. When using outside air, metal rigid or flexible-inlet pipe should have a mesh screen to prevent rodents or birds from blocking the flue pipe. In addition, a proper termination cap should be installed to prevent prevailing winds from blowing directly into the air intake. For best efficiency, locate air inlet 24" (607mm) or more from the systems exhaust flue pipe.

6. The NPS-1000 is designed to accept installations using a horizontal flue pipe through an exterior vertical wall. A horizontal flue pipe installation should be a minimum of 24" from pellet stove pipe to flue cap connection. FIGURE 2 shows a through the wall exterior flue pipe installation.

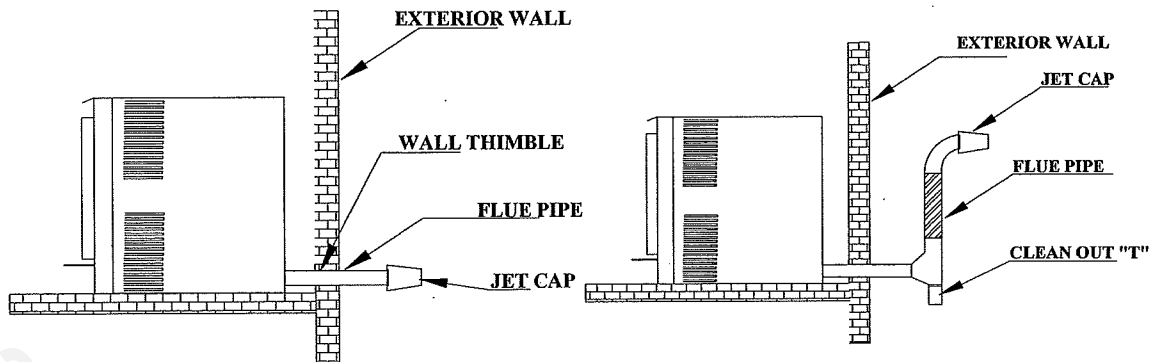


FIGURE 2: HORIZONTAL VENT PIPE (2 options)

7. FIGURE 3 shows a traditional, as well as more efficient, flue pipe installation. Note the dimensions that are required to be maintained in this type of installation. Dimension A must be a minimum of 24", dimension B must be a minimum of 3", and dimension C must be a minimum of 6". Again, check with the flue pipe manufacturer's installation instructions and code requirements for exact specifications.

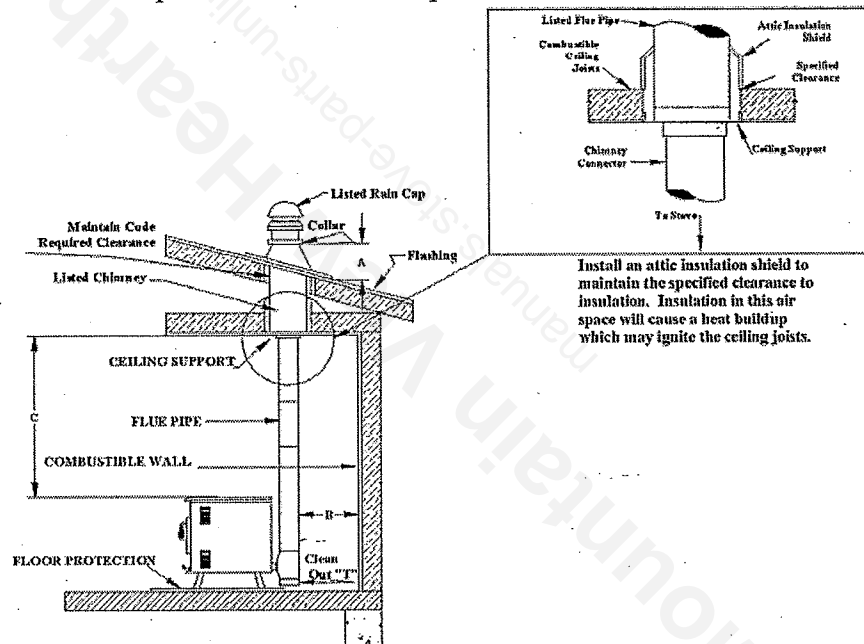


FIGURE 3: TRADITIONAL VENT PIPE

8. For installations that pass through a vertical wall and not through the roof, Country Flame recommends an installation similar to the one shown in FIGURE 4. The flue cap should maintain a minimum of sixteen inches below the roof overhang. The NPS-1000 and the outside flue pipe should maintain a minimum of three inches for a combustibile wall. Outside flue pipe should have a vertical run of at least five feet. Do not terminate the flue pipe just under the roof overhang. Such a termination can cause smoke to seep back

through the roof and into the home. For all flue pipe runs over 5', there should be a flue support no less than 5' apart.

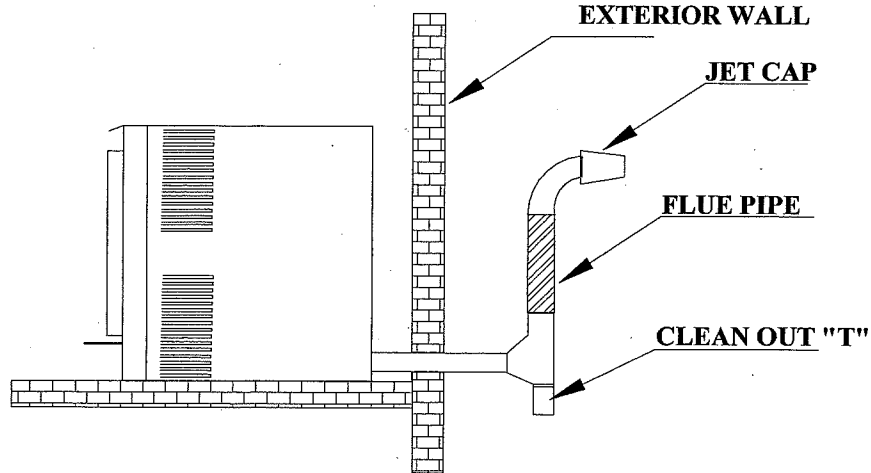


FIGURE 4: RECOMMENDED EXTERIOR WALL INSTALLATION

All installations may include a fresh air combustion pipe of at least 1 ½" diameter. Such a pipe can be plastic, rigid metal, or flexible metal pipe. For new homes with tight insulation packages, it is strongly recommended that an exterior combustion air vent be installed. This ensures efficient combustion air can be drawn into the combustion chamber.

FIGURE 5 shows that a flue pipe shall exit not less than 48" from any opening through which exhaust could enter the building, (i.e. windows and doors), and not less than 24" from adjacent public walkways. Flue exit pipe shall be arranged so that gases are not directed so that they pose a health hazard, overheat combustible structures or enter any building. Do not terminate the exhaust flue pipe into an attic, garage, carport or any enclosed or semi-enclosed area, under a porch or sun deck, or near shrubs or combustibles stored near the outlet.

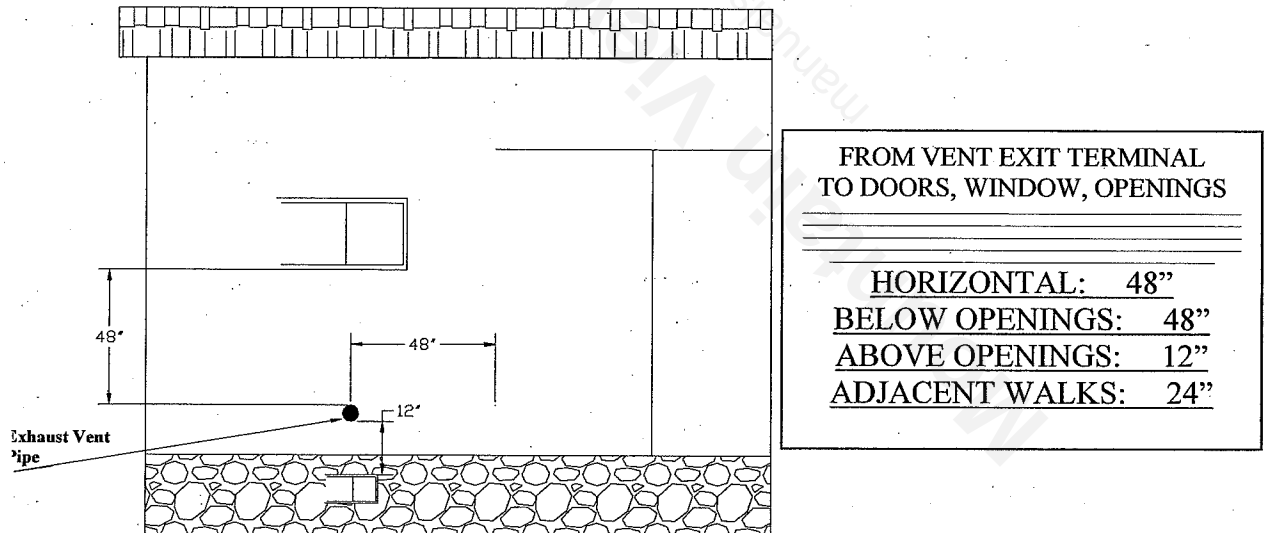


FIGURE 5: EXTERIOR MINIMUM CLEARANCES

DETAILS

FREESTANDING LEG INSTALLATION

1. Locate the eight (8) bolts in the package that comes with the leg kit.
2. Bolt the four (4) legs to the bottom of the pellet stove using two bolts per leg for a total of eight (8) bolts through the holes provided at the bottom corner of each unit.
3. Leveling bolts allow for leveling the NPS-1000. The pellet stove should be level or slightly declined from front to back. This prevents “bridging of pellets” that may occur if the stove is not level. See FIGURE 6 that shows legs installed.

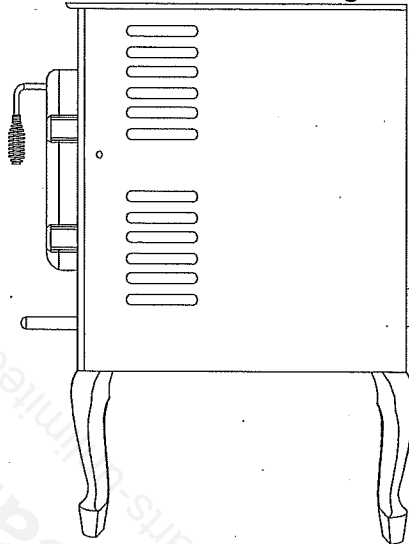


FIGURE 6: LEG INSTALLATION

PEDESTAL INSTALLATION

1. An optional pedestal can be mounted to the bottom of the NPS-1000 using the for corner leg hole mounts. The wing on each side of the pedestal is for bolts to go through.
2. Position the pedestal and attach the four (4) bolts. See FIGURE 7 for the pedestal.

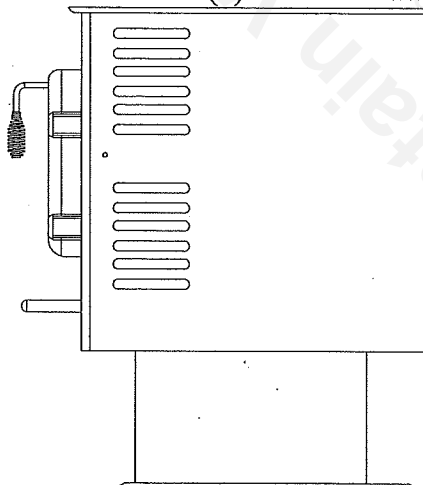


FIGURE 7: PEDESTAL INSTALLATION

INSERT INSTALLATION POSITIONING

1. The NPS-1000 is designed to be inserted into an existing masonry fireplace or zero clearance box. The suitability of an existing firebox needs to be determined by qualified personnel. Keep the NPS-1000 out of traffic paths, away from curtains, drapes or any other combustibles. Check that an existing fireplace was placed in a position where heat will be evenly distributed throughout the room or home.
2. If an existing fireplace is determined to be suitable for an NPS-1000 insert, then wall clearances between the pellet stove and the fireplace are zero inches. FIGURE 8 shows other clearance requirements.
3. While installing the NPS-1000, verify that the location will not interfere with the circulation airflow. The unit draws air from the grills on both sides of the unit.
4. The NPS-1000 requires optional panels that must be obtained from Country Flame at an additional cost so it can be installed as an insert. The front of the unit shall be installed in such a manner as to remain unblocked. Optional panels allow access for needed service and maintenance and provide for system cleanout.

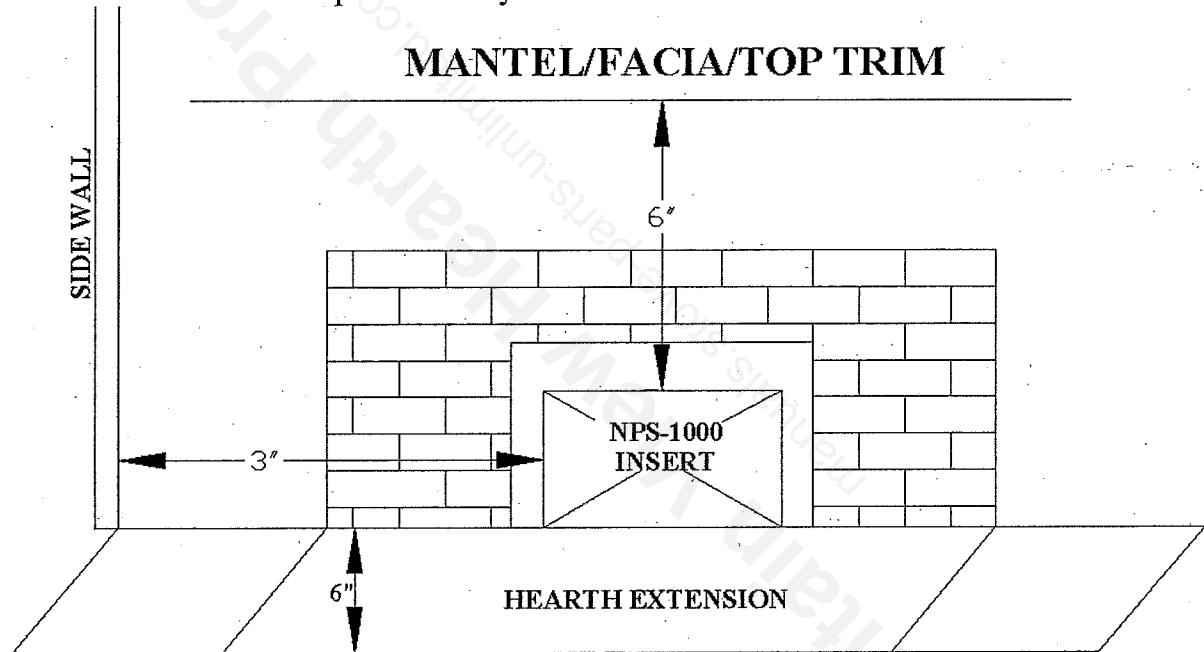


FIGURE 8: INSERT MINIMUM CLEARANCES

VENTING

1. The NPS-1000 is designed for both new insert installations and as an insert into existing fireplaces. The NPS-1000 is NOT designed to be installed without proper vent pipe. Proper venting can be achieved by installing a 3" (less than ten feet) or 4" (more than ten feet) TYPE PL double wall vent pipe or listed TYPE "L" chimney liner. A listed single wall stainless steel liner may be used if installing the NPS-1000 into an approved wood burning chimney. The vent pipe may be run to the top of the existing chimney or to a point 18" above the damper of the existing chimney. Flue pipe manufacturer's instructions should be consulted for further detailed pipe installation instructions. Most flue pipe manufacturers will provide detailed drawings of venting plans, which meet or exceed code requirements. NOTE: Follow all vent manufacturers vent pipe instructions without deviation. Check local codes to ensure conformance.
2. **WARNING: DO NOT** operate any NPS-1000 unless it is connected properly to an approved flue pipe system. Do not connect the NPS-1000 to a chimney flue serving another appliance.
3. Flue pipe joints need to be joined tightly to ensure air tight venting with at least (3) sheet metal screws and sealed with RTV silicone or approved aluminum flue pipe tape.
4. FIGURE 9, shows one vent pipe method when installing an NPS-1000 into an existing masonry fireplace. The flue pipe is extended a minimum of 18" past an existing damper with a seal plate installed at or above the damper. Although this is an approved inset flue pipe method, Country Flame strongly recommends that flue pipe be extended to the top of the chimney and properly terminated and capped to ensure optimum performance

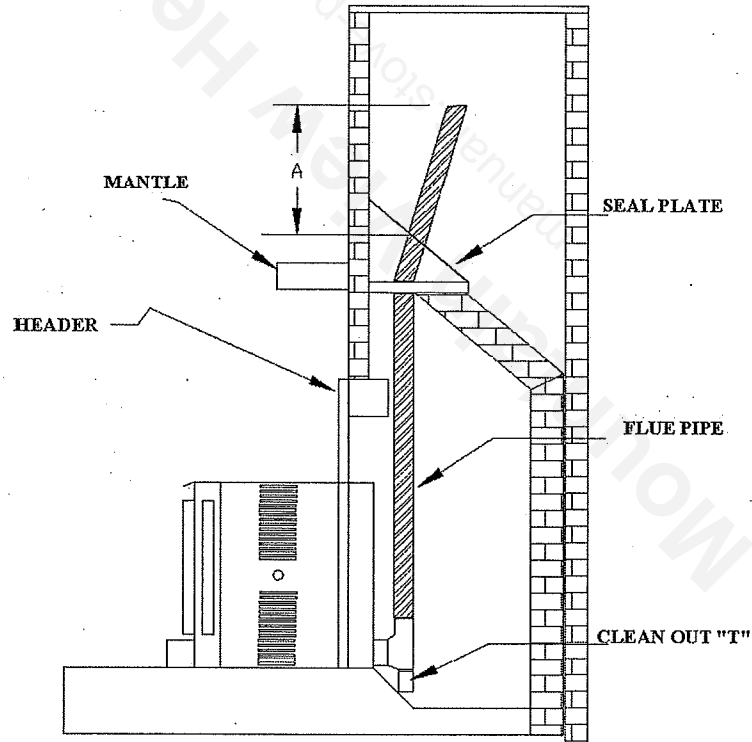


FIGURE 9: MINIMUM FLUE VENT CHIMNEY INSTALLATION

NOTE: Installing a fresh air inlet line can be similar to the illustration accompanying the freestanding units or the line can be run out of the top of the chimney. Attach a screen to keep out debris. For best efficiency, locate the combustion air inlet 24" (607mm) or more below the exhaust vent pipe.

5. **WARNING:** When installing unit as an insert into an existing fireplace, DO NOT remove any bricks or mortar from the old fireplace.
6. While running flue pipe up past the existing damper in the fireplace, lock the old damper into the open position.

DETAILS

1. Leveling the Insert:
 - A. If the firebox hearth floor is level, install the NPS-1000 and prepare to install the shroud.
 - B. If the firebox hearth floor is uneven, install the NPS-1000 and grout or shim as necessary to ensure the unit is level or slightly declining from front to back. If the NPS-1000 leans forward in an uneven position, the pellets may bridge during stove operation.
2. The NPS-1000 is designed to be inserted into a minimum 16" deep firebox. If the depth is greater than 16" this will only provide additional room but if the depth is less than 16" then a hearth extension may be required. Contact a certified professional installer or a Country Flame Dealer for assistance.
3. Installing a Shroud:
 - A. FIGURE 10 shows the final step in the insert installation which is to place the optional shroud and its insulation around the NPS-1000.
 - B. The NPS-1000 shroud is designed to mount 12.5" back from the face of the stove just behind the side air vents.
 - C. Position the left and right side panels on their respective sides positioned 12.5" back from the face of the unit and attach with self drilling screws provided.
 - D. The top shroud is placed behind the two side panels. Attach with self tapping screws
 - E. Assemble the 3 piece trim kit and install it around the shroud panels.
 - F. The shroud may be mounted farther back on the unit if the fireplace depth requires it.
 - G. Place the insulation provided around the perimeter of the backside of the shroud.
 - H. Push insert back against the face of the fireplace insuring the insulation seals up against the fireplace facing. On rough facings such as fieldstone, additional insulation may be required. ***Do not use insulation with paper backing***

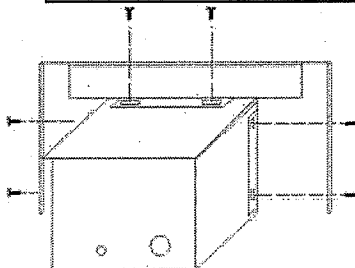


FIGURE 10: SHROUD INSTALLATION

MOBILE HOME INSTALLATION

1. Mobile home code requires pellet stoves to be bolted to the floor regardless of whether it has legs or is mounted on its optional pedestal. See FIGURE 11 or FIGURE 12.
2. A pellet stove must be electrically grounded to the steel frame of the mobile home.
3. A pellet stove must have an outside combustion air source installed in a mobile home.
4. **CAUTION:** THE STRUCTURAL INTEGRITY OF THE MOBILE HOME (floors, walls, ceilings and roof) MUST BE MAINTAINED.
5. **WARNING:** DO NOT INSTALL ANY PELLET STOVE IN A SLEEPING AREA.
6. Check any other local building codes as they apply.

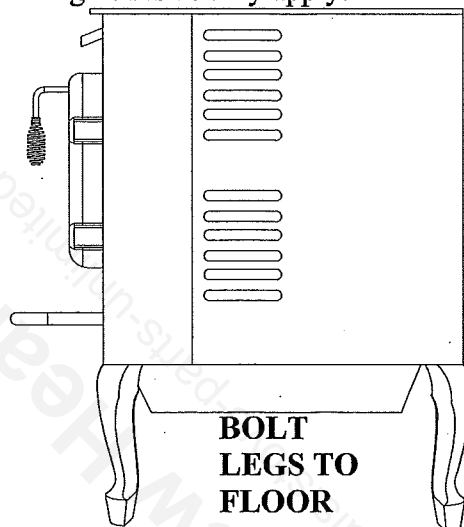


FIGURE 11: MOBILE HOME LEG INSTALLATION

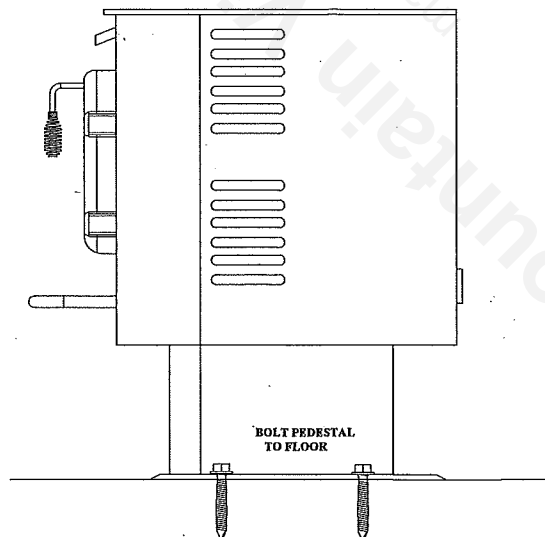


FIGURE 12: MOBILE HOME PEDESTAL INSTALLATION

ELECTRICAL INFORMATION

1. FIGURE 13 is the electrical schematic. Ensure all electrical power lines and outlets are code compliant. In the absence of any local code, the National Electrical Code ANS2 / NFPA 70-1987 applies.
2. The NPS-1000 is equipped with a three prong (grounded) plug. The NPS-1000 will not operate properly with a non-compliant improperly installed electrical outlet. Contact a certified electrician to ensure proper electrical power is provided to an NPS-1000. To avoid shock hazard, an NPS-1000 should be plugged directly into a properly grounded three prong receptacle. Do not cut or remove the grounding prong from the power cord.

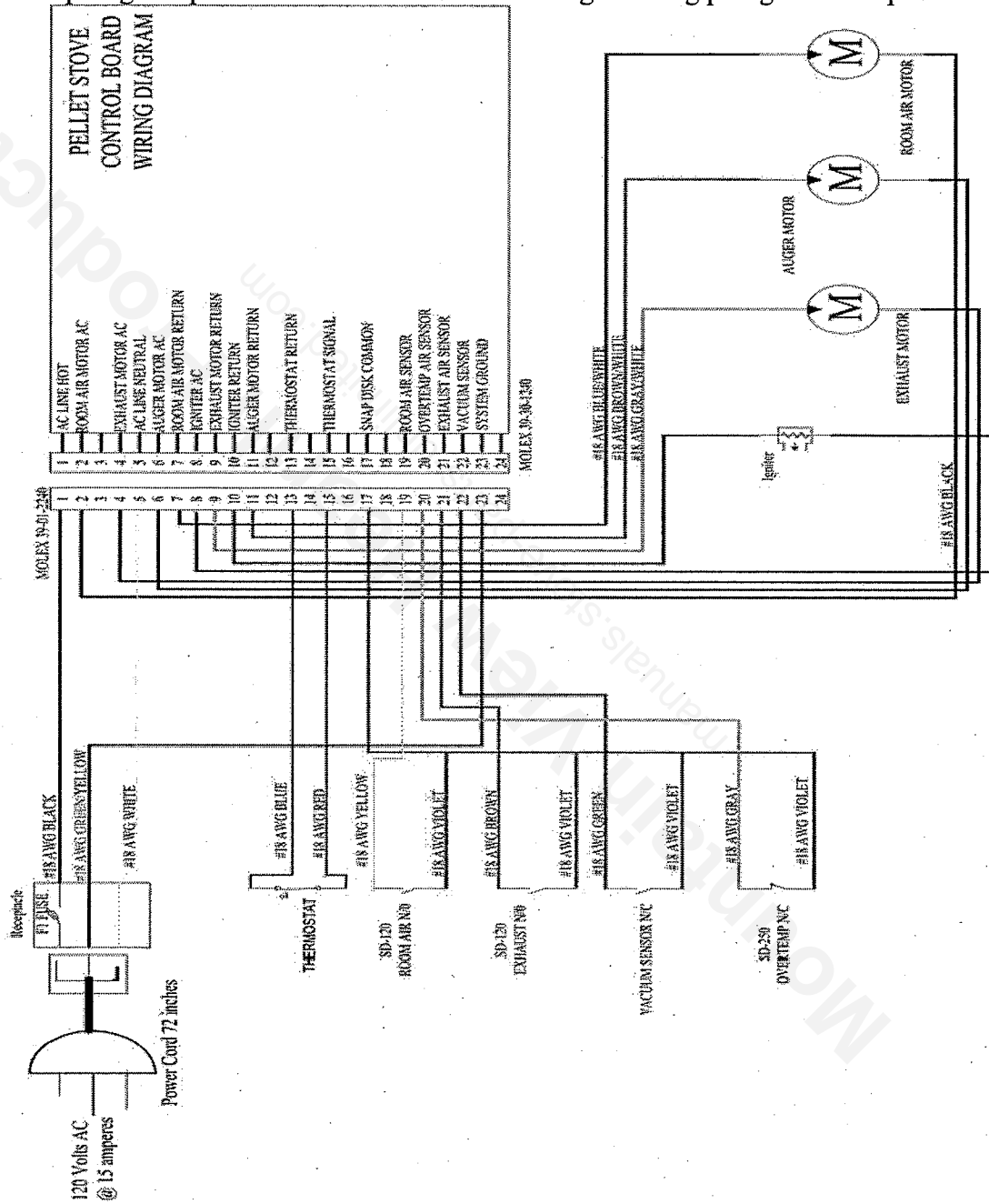


FIGURE 13: ELECTRICAL SCHEMATIC

HEATER COMPONENTS: PLATES AND TAGS

A safety label is shown in FIGURE 14 for informational purposes. Refer to the back of a NPS-1000 pellet stove for the actual safety label. Illustrations are artist renderings and the actual label on a product may vary slightly in information and design.

1. Each NPS-1000 has a serial number fixed to the certification label attached to the back of the unit. Record the serial number in the owner's manual for future reference.

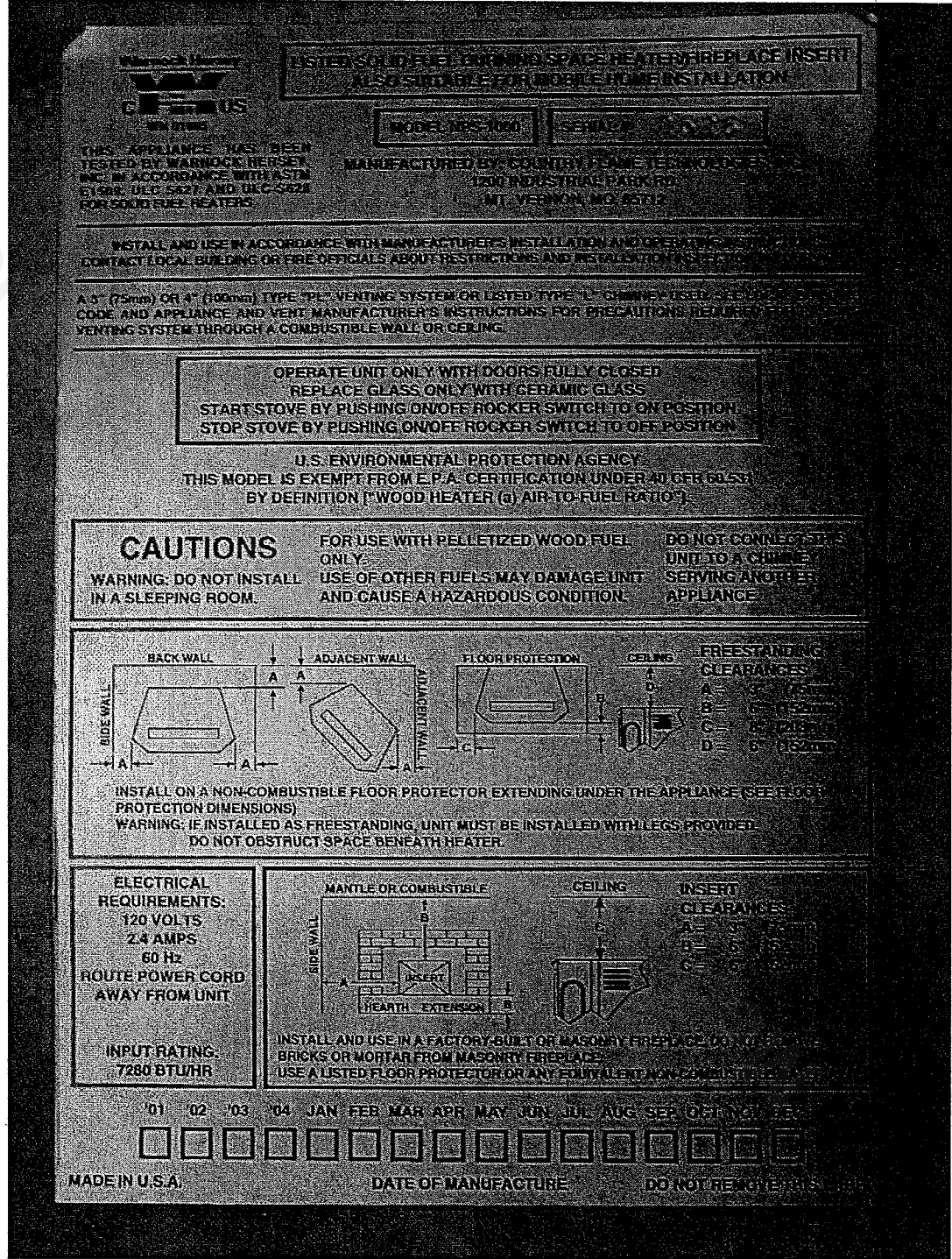


FIGURE 14: SAFETY LABEL

2. A label on the side of the NPS-1000 warns that the stove is hot. See the safety section of your owner's manual for more safe operating tips.
3. Information and warning labels are located under the hopper lid. These labels provide information on operation and maintenance that the operator should always follow when operating the stove. Keep the hopper lid closed during operation.
4. There are electrical warning labels inside the NPS-1000 that inform the consumer that before any electrical service is attempted on a unit, disconnect the unit from the source power before servicing. Also, the warning labels inform the consumer that the unit should not be run with covers removed.

WARRANTY

1. **To Whom Extended.** Country Flame Technologies hereafter known as Country Flame warrants its Model NPS-1000 to the original retail purchaser only.
2. **Products / Components Warranted.** Country Flame makes the following warranties regarding its Model NPS-1000 Pellet Stove Heaters and Inserts:
 - a. **Heating Units.** Except as set forth below, Country Flame warrants its Model NPS-1000 Pellet Stove Heaters and Inserts to be free from defects in materials and workmanship for a period of five (5) years from date of purchase, so long as the unit is owned by the original retail purchaser, subject to terms, conditions, and restrictions set forth below:
 - b. **Blowers, Fan Speed Controls and Electrical Components.** Country Flame warrants the blowers, fan speed controls and electrical components of its Model NPS-1000 Pellet Stove Heaters and Inserts to be free from defects in materials and workmanship for a period of one (1) year from the date of purchase, subject to the terms, conditions, and restrictions set forth below.
3. **Terms, Conditions, and Restrictions**
 - a. **Products Not Covered.** The above warranties do not apply to glass, refractory materials such as refractory cement or fire brick, decorative logs, gaskets, and irons, paint, optional and standard accessories, and all parts not permanently attached to the heating unit. Parts not permanently attached to the heating unit are those items designed to be removed from the unit, including those removable with common hand tools.
 - b. **Exclusions.** The above warranties do not apply to the following conditions or circumstances:
 - i. To conditions resulting from Model NPS-1000 Pellet Stove Heaters or Inserts that are installed other than in accordance with Model NPS-1000 specifications.
 - ii. To conditions resulting from failure to provide reasonable and necessary maintenance for the Model NPS-1000 Pellet Stove Heater or Insert in accordance with Model NPS-1000 operating and maintenance instructions.
 - iii. To conditions resulting from the alteration or modification of any Model NPS-1000 Pellet Stove Heater or Insert unit by anyone other than Country Flame or a person duly authorized by Country Flame to complete such alteration or modification.
 - iv. To conditions resulting from failure to use and operate the Model NPS-1000 Pellet Stove Heater or Insert in accordance with Country Flame operating and maintenance instructions or as a result of other misuse of the product.
 - v. To conditions not involving defects in materials or workmanship.
 - vi. To conditions resulting from improper firing or burning of materials in any Model NPS-1000 Pellet Stove Heater or Insert.
 - c. **Warranty Registration Card.** The above warranties are void and will not apply unless the attached Warranty Registration Card is filled out by the original retail purchaser and returned to Country Flame within thirty (30) days subsequent to the date of purchase.
4. **Remedies in the Event of Failure.** In the event a Model NPS-1000 Pellet Stove Heater or Insert fails to perform as warranted, the following terms and conditions will apply:
 - a. **Heating Unit.** Country Flame will repair, or at its option, replace any warranted part of the heating unit that fails to perform as warranted for five years to the original retail purchaser, subject to the terms, conditions, and restrictions set forth herein.
 - b. **Blowers, Fan Speed Controls and Electrical Components.** If the blower, fan speed controls or electrical components of the Model NPS-1000 Pellet Stove Heater or Insert fail to perform as warranted for one (1) year subsequent to the date of purchase, Country Flame will repair, or at its option, replace the defective product or component.
 - c. **Warranty Service and Freight Costs.** Service on Model NPS-1000 Pellet Stove Heaters and Inserts will be provided by any Country Flame authorized dealer or distributor. If there is no authorized dealer or distributor in the original retail purchaser's area, the original retail purchaser may notify Country Flame Technologies at 900 George Street, Marshfield, Missouri, 65706 of any defect by providing the following information:
 - i. Serial Number of the Model NPS-1000 Pellet Stove Heater and Insert:
 - ii. The original date of purchase
 - iii. The date of installation, and
 - iv. A description of the nature of the defect or problem

If service is required, the original retail purchaser must send the product or component freight or postage prepaid to Country Flame or a designee of their choice. Country Flame will not pay freight or postage costs relating to products or components returned for warranty service.

- d. **Repairs.** All repairs made by Country Flame or its authorized dealers or distributors will be to the original manufacturing specifications.
- e. **Cost of Repair or Replacement.** Country Flame will repair, or at its option, replace the defective products or components pursuant to the conditions set forth above. The original retail purchaser is responsible for payment of any costs and expenses of disassembly, removal and reinstallation of any defective product or component and any other services involved. None of such costs or expenses are covered by this warranty and Country Flame is not liable for any of them.
5. **Limit on Damages.** In no event shall Country Flame be liable for damage to property, lost profits, injury to goodwill, or any other special, incidental or consequential damages resulting from any defective Model NPS-1000 Pellet Stove Heater and Insert or any breach of the above express warranties. Some states do not allow the exclusion or limitation of incidental or consequential damages so the above limitation or exclusion may not apply to you.
6. **Limitation of Implied Warranties.** Country Flame expressly limits all implied warranties. INCLUDING THE IMPLIED WARRANTIES OF MERCHANTABILITY OR FITNESS FOR A PARTICULAR PURPOSE TO ONE YEAR FROM THE DATE OF PURCHASE. Some states do not allow limitations of how long an implied warranty lasts, so the above limitations may not apply to you.
7. **Legal Rights.** This warranty gives you specific legal rights, and you may also have other rights, which vary from state to state.
8. **No Other Warranty – These Remedies are Exclusive.** Unless otherwise explicitly agreed in writing, it is understood that this is the only warranty given by Country Flame, and Country Flame neither assumes nor authorizes anyone to assume for it any other obligations or liability in connection with this Country Flame Heater and Insert product.
9. **Additional Information.** If you wish to obtain additional information or resolve questions concerning the interpretation of any warranties of Country Flame, please write:

Country Flame Technologies
900 George Street
Marshfield, Missouri 65706

Place
Stamp
Here

Country Flame Technologies
900 George Street
Marshfield, MO 65706

Mountain View Hearth Products manuals.stove-parts-unlimited.com

Fold Here

Name _____ Address _____
City _____ State _____ Zip _____
Dealer _____
Dealer's Name _____
City _____ State _____ Zip _____
Date of Purchase _____
Model No. _____ Serial Number _____

The express warranties made by Country Flame Technologies do not apply unless this card is returned to Country Flame Technologies by the original retail purchaser no later than thirty (30) days from date of retail purchase.

Signature _____ Date _____

Mountain View Hearth Products
manuals.stove-parts-unlimited.com