



MAINTENANCE 65 SERIES

Warning codes and reset

Mountain View Hearth Products
manuals.stove-parts-unlimited.com

CAUTION



Before resetting your electronic card that displays an error code.



Error Code H

- Service the stove COMPLETELY as described in this manual.
- Check the chimney pipe.



Error Code O

- Service the stove COMPLETELY as described in this manual.
- Check the chimney pipe Check the convection fan.



Error Code P

- Service the stove COMPLETELY as described in this manual.
- Check the chimney pipe Check the convection fan.
- Check that the Pressure switch pipe is not blocked.

THIS STOVE IS EQUIPPED WITH MULTIPLE DEVICES TO ENSURE YOUR SAFETY. HOWEVER IF A WARNING ERROR CODE STOPS YOUR STOVE ON SEVERAL OCCASIONS, THERE ARE GREAT CHANCES THAT THE STOVE DOES NOT EXHAUST PROPELY. YOU HAVE THE RESPONSIBILITY TO MAKE SURE THAT THE MAINTENANCE OF THE STOVE IS DONE AS DESCRIBED IN THIS DOCUMENT.

Maintenance 65 Serie

MINIMUM RECOMMENDED MAINTENANCE SCHEDULE

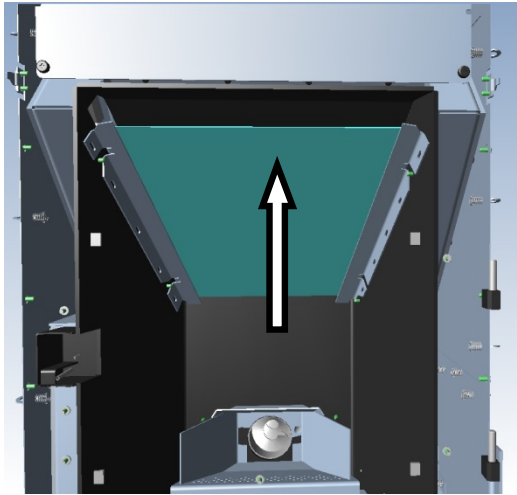
Components	Weekly Or after +/- 500 pounds	Twice a year Or after +/- 2 tons	Annually Or Per 4 tons of pellets
Baffle	Vacuum		
Bottom air wash inlet	Vacuum		
Burn Pot	Brush / Vacuum		
Glass	Clean		
Ash Drawer	Empty and Vacuum		
Combustion Chamber	Vacuum	Vacuum and Brush	
Heat Exchanger Tubes		Scrape and Vacuum	
Exhaust Channels (through access traps)		Vacuum	
Exhaust Blower		Vacuum	
Combustion Blower		Vacuum	
Pressure Switch tube		Clean	
Venting System		Inspect and Sweep	Sweep and Clean
Gaskets		Inspect	
Hopper			Empty and Vacuum

THE MAINTENANCE SCHEDULE VARIES WITH QUANTITY OF PELLET USED.

The user must be able to evaluate the frequency of maintenance depending on the dirtiness level on the burn pot. A burn pot that is dirty will reduce the efficiency of the stove and may cause problems.

Maintenance 65 Serie

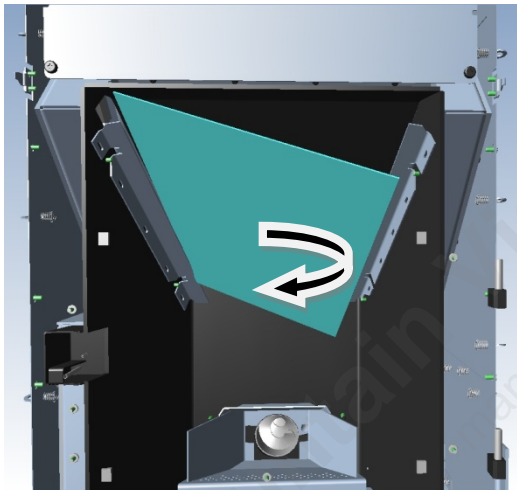
REMOVING THE BAFFLE.



1

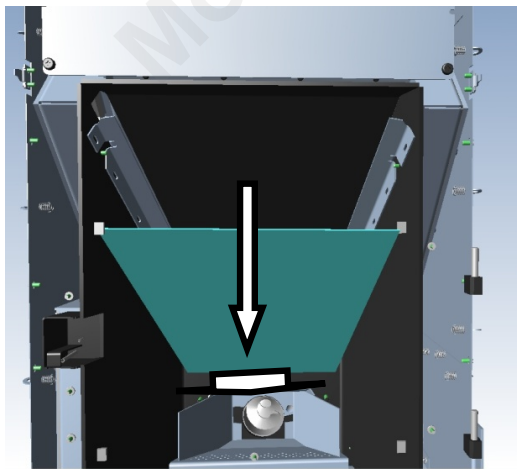
To remove the baffle:

1. Lift the deflector



2

2. Rotate the baffle to clear the support



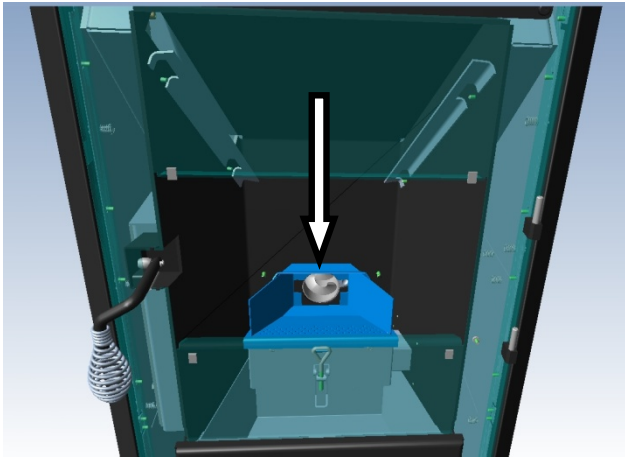
3

4

3. Lower the baffle.
4. Remove the baffle from the stove.

Maintenance 65 Serie

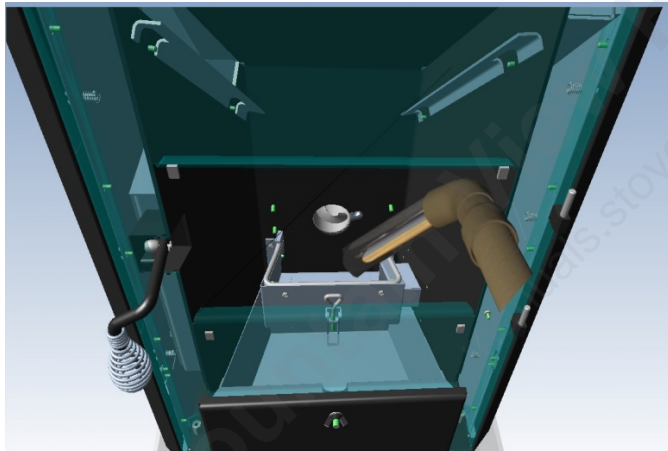
REMOVING THE BURN POT.



Using a scraper and a wire brush, thoroughly clean the surface of the burn pot. It is very important to leave no residue on the surface of the burn pot.

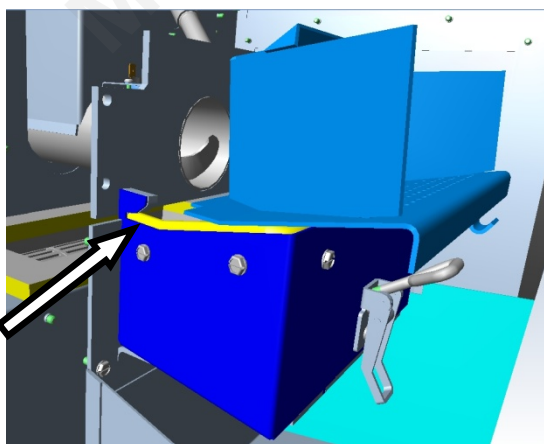
Note: The sand and dirt contained in the wood pellets does not burn and solidifies to form a stone on the surface of the burn pot. This stone is commonly called (clinker) in the pellet stove industry.

If the (clinker) is not removed the combustion air holes are blocked or reduced and this will also reduce the efficiency of the stove and increases the formation of (clinker) until the combustion becomes almost impossible.



Once the burn pot is thoroughly cleaned.

Remove the burn pot and vacuum the burn pot receptacle.

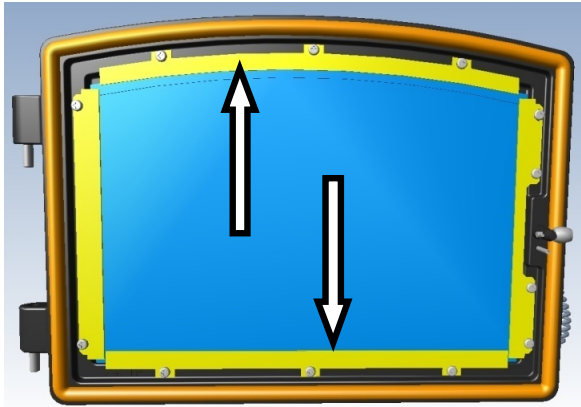


It is very important that the burn pot is correctly installed on the burn pot receptacle. The burn pot should be fully inserted towards the back under the guides to prevent the pellets from falling behind the burn pot and causing an overheat situation.

MINIMUM RECOMMENDED

**MAINTENANCE WEEKLY
EMPTY AND SCRAPE**

**CLEANING THE GLASS
RETAINERS.**



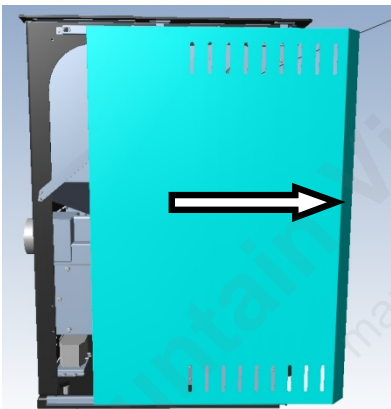
To keep the glass as clean as possible.

It is important to vacuum the glass retainers to keep the airwash free of ash accumulation

**MINIMUM RECOMMENDED
MAINTENANCE**

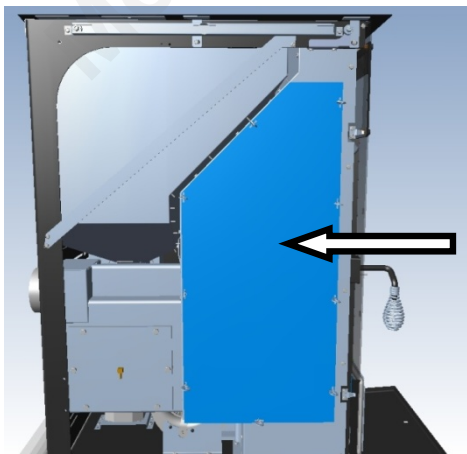
WEEKLY

**CLEANING THE HEAT
EXCHANGERS.**

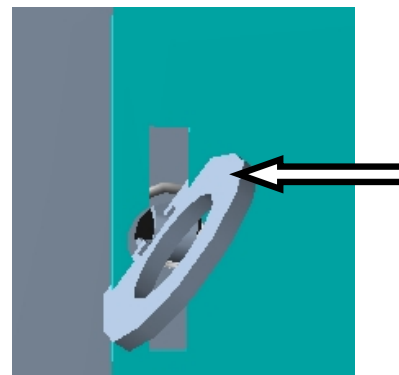


To access the heat exchangers.

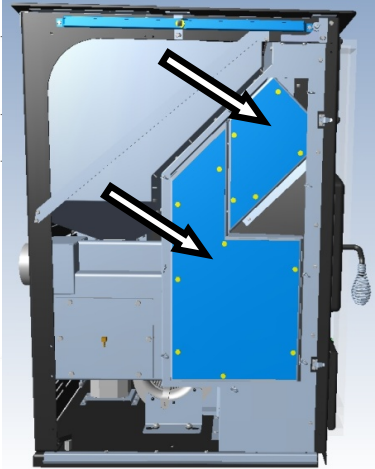
Remove the panel located on the left side of the pellet stove.



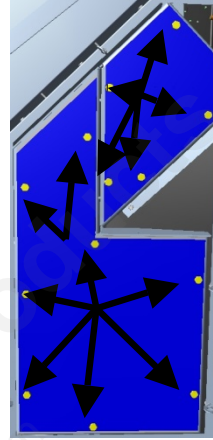
Lift and turn the 9 spring clips and remove the panel.



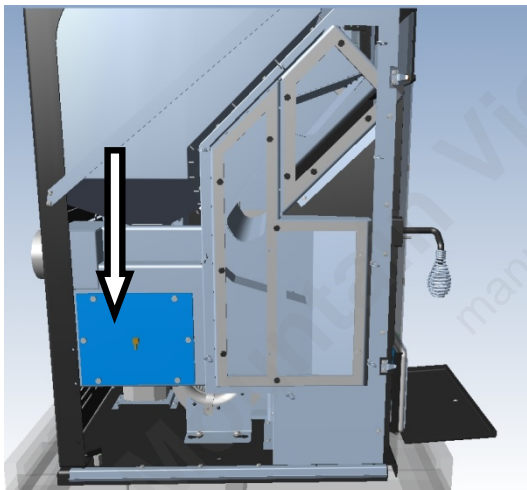
REMOVING THE HEAT EXCHANGERS COVER.



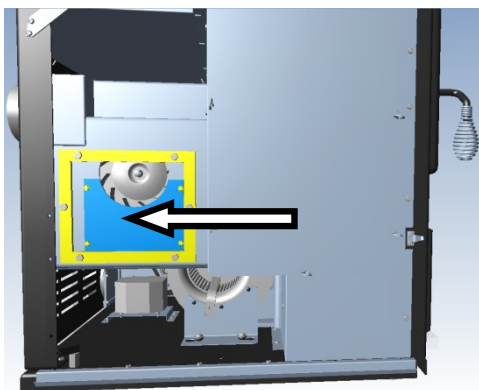
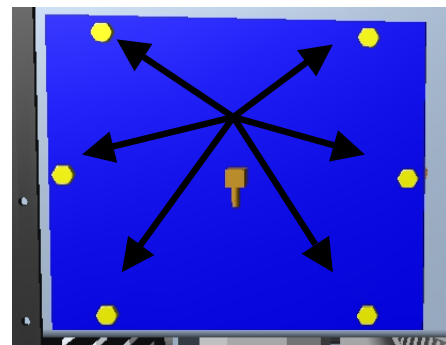
Unbolt the 13 bolts and remove the 2 plates covering the exchangers.



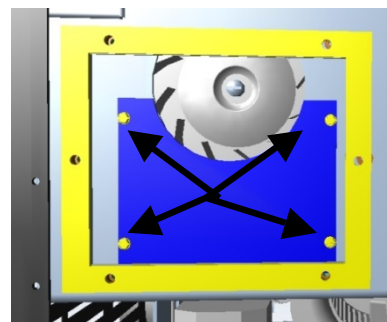
REMOVING THE EXHAUST FAN COVER.



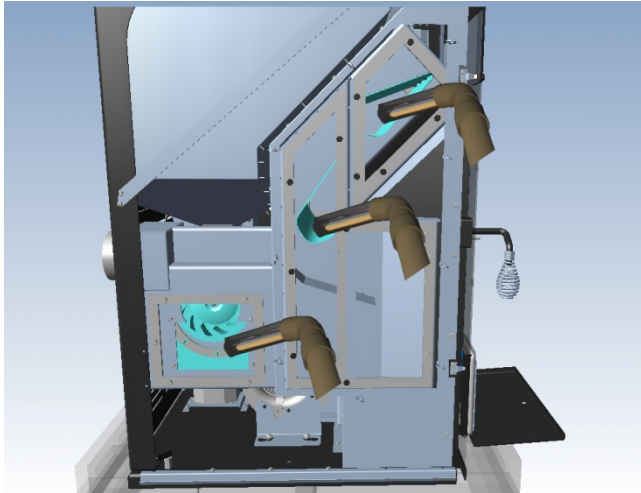
To access the exhaust fan unbolt the 6 bolts and remove the top plate.



Unbolt the 4 bolts of the inner plate.



VACUUM THE ASH INSIDE THE HEAT EXCHANGERS AND EXHAUST FAN.



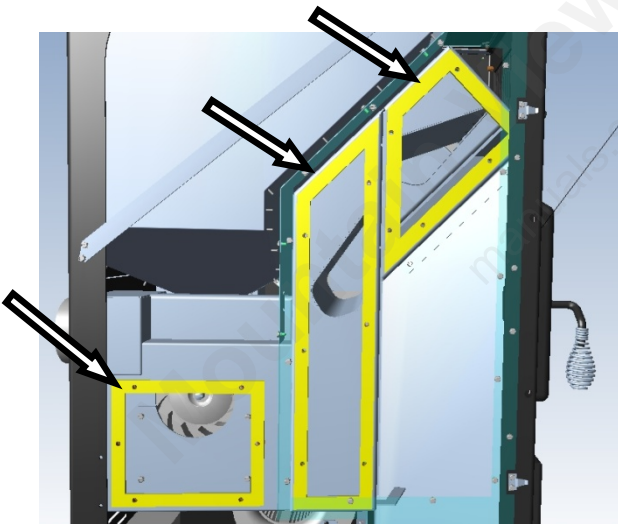
Vacuum the ashes inside the exchangers openings and vacuum the ash inside the exhaust fan.

Be careful not to hit or push the fan causing the imbalance of the fan.

MINIMUM RECOMMENDED

**MAINTENANCE 2 TIMES PER SEASON
OR AFTER
1.5 TONS OF PELLETS**

REPLACING THE GASKETS.

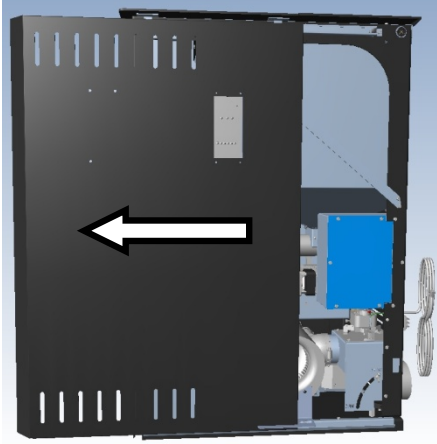


It is very important to ensure that the gaskets are in good condition.

If the gaskets are damaged they must be replaced before using the stove.

Maintenance 65 Serie

CLEAN THE PRESSURE SWITCH TUBE.

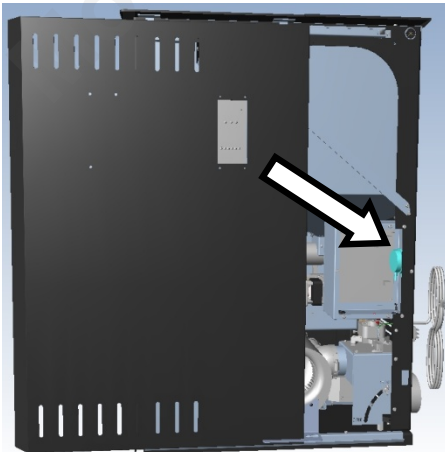


To access the pressure sensor.

Open the access panel on the right side of the pellet stove.



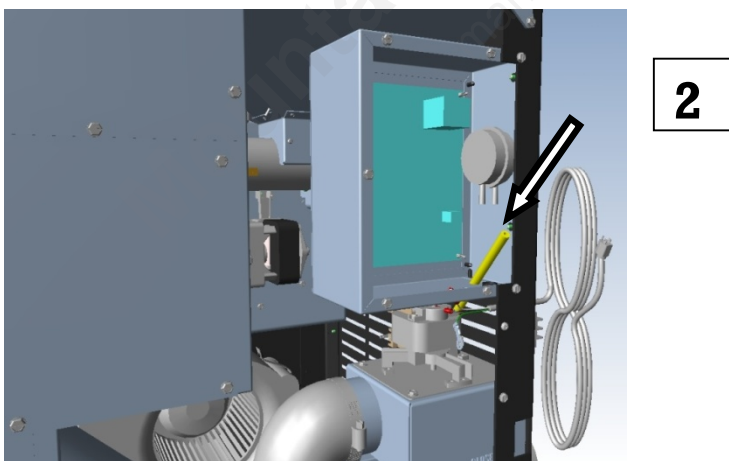
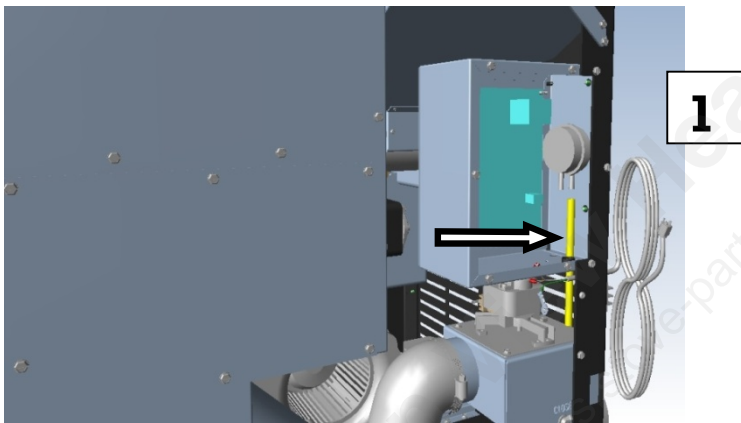
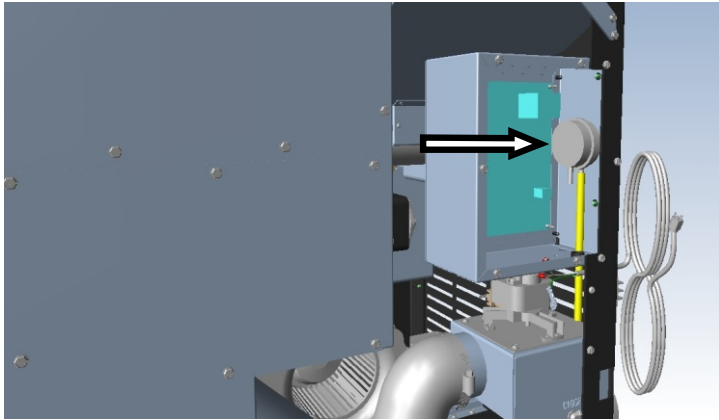
Unbolts the 5 bolts to remove the PC-board housing cover.



The pressure sensor is located inside the PC-board housing.

Maintenance 65 Serie

CLEAN THE PRESSURE SENSOR TUBE.



1. Remove the tube from the pressure sensor.
2. Blow into the tube and ensure that the air passes freely.
3. Reinstall the tube on the pressure sensor taking care to connect the tube to the WHITE side of the sensor.



MINIMUM RECOMMENDED MAINTENANCE

**2 TIMES PER SEASON
OR AFTER
1.5 TONS OF PELLETS**

Maintenance 65 Serie

THIS PELLET STOVE IS EQUIPED WITH MULTIPLE DEVICES TO ENSURE YOUR SAFETY. HOWEVER IF A WARNING ERROR CODE STOPS YOUR STOVE ON SEVERAL OCCASIONS, IT IS VERY LIKELY TO BE THAT THE STOVE DOES NOT EXHAUST PROPELY. YOU HAVE THE RESPONSIBILITY TO MAKE SURE THAT THE MAINTENANCE OF THE STOVE IS DONE AS DESCRIBED IN THIS DOCUMENT.



**Before resetting the PC-board that displays an error code.
Do FULL stove maintenance As described in this manual.**

ERROR CODE RESET

Error Code H



Hold these buttons simultaneously for 3 seconds

« Mode »



and « Reset ».



After 3 attempts, the reset is no longer possible

Error Code H after 3 reset



CAUTION

THERE ARE GREAT CHANCES THAT THE STOVE DOES NOT EXHAUST PROPELY. TO REDUCE THE RISK OF FIRE OR SMOKE DAMAGE IT IS VERY IMPORTANT TO PERFORM MAINTENANCE ON YOUR STOVE.



CAUTION

ONCE THE MAINTENANCE IS PERFORMED

Press and release the following buttons one button at a time in this order.

Press « Reset »



then « Mode »



then « + »



then « - »



then Press and hold the button « FAN »



for 3 seconds.

TO RESET ALL OTHER CODES

Error code P 

Error code E 

Error code L 

Error code d 

Error code N 

Error code I 

Error code A 

Press the button "RESET".



SMOKE SMELL OR SOOT BUILD:

Because it is a solid fuel appliance, your pellet stove may emit odors of burnt wood. If these odors reach an abnormal level or soot accumulates on the walls and furniture, check your exhaust to detect leakage. All joints should be in good condition and sealed. Clean your stove following the instructions in this manual. Contact your dealer if the problem persists.