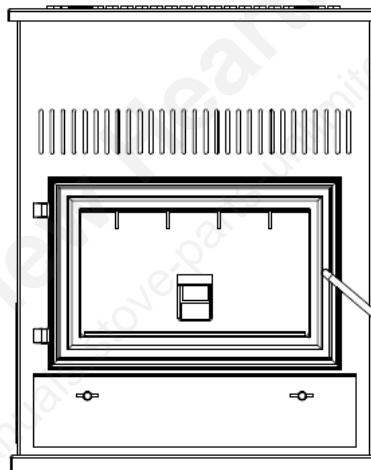


PELLET AUXILIARY HEATER



INSTALLATION & OPERATION MANUAL 25-PAH/55-SHPAH/55-TRPAH



Manufactured By:
England's Stove Works, Inc.
PO Box 206
Monroe, VA 24574

REV. 9/5/2012

CAUTION

Please read this entire manual before installation and use of this pellet fuel-burning appliance. Keep children, furniture, fixtures and all combustibles away from any heating appliance.

SAFETY NOTICE

Failure to follow these instructions can result in property damage, bodily injury or even death. For your safety and protection, follow the installation instructions outlined in this manual. Contact your local building or fire officials about restrictions and installation inspection requirements (including permits) in your area.

SAVE THESE INSTRUCTIONS

IMPORTANT: IF YOU HAVE A PROBLEM WITH THIS UNIT, DO NOT RETURN IT TO THE DEALER. CONTACT TECHNICAL SUPPORT @ 1-800-245-6489

Mobile Home Use:

This freestanding pellet unit is approved for mobile home or doublewide installation with the outside combustion air hook-up. See the "Installation" section of this manual for details pertaining to mobile home installations. Mobile home installation must be in accordance with the Manufactured Home and Safety Standard (HUD), CFR 3280, Part 24.

WARNING:

- Use of outside combustion air is mandatory with this unit.
- Do not operate with the hopper open; lid must be shut and tightly latched during operation.

Note: England's Stove Works does not recommend using a pellet stove as your only source of heat.

Retain for your files

Model Number _____

Date of Purchase _____

Date of Manufacture _____

Serial Number _____

* This information can be found on the safety tag attached to the underside of the hopper lid. Have this information on hand if you phone the factory or your dealer regarding this product.

TABLE OF CONTENTS

Introduction

- Introduction 4

Specifications

- Heating Specifications..... 5
- Dimensions..... 5
- EPA Compliance 5

Installation

- Installation Overview 6
- Clearances to Combustibles..... 7
- Venting Introduction..... 8
- Venting Guidelines..... 8
- Additional Venting Information ... 9
- Vent Termination Clearances 10
- Approved Venting Methods
 - Through the Wall 11
 - Through the Ceiling..... 12
 - Existing Chimney 13
- Mobile Home Installation 14
- Outside Air Hook-Up..... 15
- Floor Protection 16

Daily Operation

- Getting Started..... 17
- Lighting a Fire 17-18
- Control Board Settings 19
- Error Codes 20
- Power Failure 21
- Thermostat Installation..... 22
- Thermostat Operation 23
- Optional Accessories..... 23

Maintenance

- Daily
 - Important Notes..... 24
 - Daily Ash Removal..... 24-25

- Cleaning the Burnpot 25
- Monthly
 - Important Notes..... 26
 - Exhaust Chamber 26-27
 - Venting Pipe 27
- Yearly
 - Important Notes..... 28
 - Exhaust Blower 29
 - Convection Blower 30
 - Hopper Fines 30
 - Checking Gaskets 30

Troubleshooting Guide

- Troubleshooting 31-32

Replacing Components

- Auger Motor..... 33
- Convection Blower 34
- Combustion Blower 34
- Vacuum Sensor 35
- Igniter 35
- Gaskets..... 36
- Finish 36
- Glass 37
- Control Board..... 38
- Wiring Diagram 39

Illustrated Parts Detail and Tag

- Exploded Parts Diagram..... 40
- Parts List..... 41
- Sample Safety Tag..... 42

Warranty

- Warranty Details 43-44
- Warranty Reg. Form..... 45-46

INTRODUCTION

Thank you for purchasing this fine product from England's Stove Works!

England's Stove Works was started, and is still owned by, a family that believes strongly in a "Do It Yourself" spirit; that's one reason you found this product at your favorite "Do It Yourself" store.

We intentionally design and build our stoves so that any homeowner can maintain their unit with basic tools, and we're always more than happy to show you how to do the job as easily and as inexpensively as possible. However, while remaining simple, our stoves are designed to perform extremely efficiently, helping deliver more heat from less fuel.

Please look at our vast Help section on our website and call our Technical Support Department at (800) 245-6489 if you need any help with your unit. We are nearly always able to "walk you through" any installation issues, repairs, problems or other questions that you may have.

Wishing you years of efficient, quality and "comfy" heating,

EVERYONE AT ENGLAND'S STOVE WORKS

Please Note: While information obtained from our web site and through our Technical Support line is always free of charge, there will be a service charge incurred with any "on-site" repairs or maintenance that we may arrange.

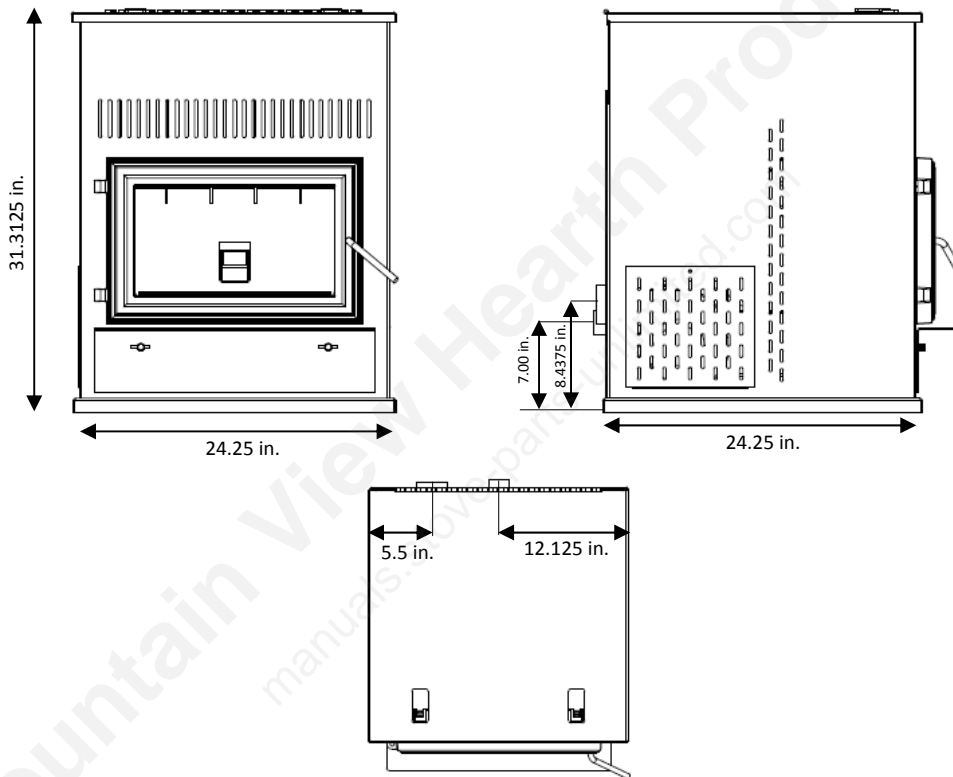
This manual encompasses all versions of the 25-PAH, including the 55-SHPAH, 55-SPAHL and 55-TRPAH. However, for simplicity of description, the stove will be referred to by the generic 25-PAH designation.

SPECIFICATIONS

Heating Specifications

- Heat Output Range** 11,000 BTU/hr – 25,000 BTU/hr
- Approximate Pellet Burn Rate** 1.6 lb/hr – 4.0 lb/hr
- Maximum Burn Time** 72 hours
- Approximate Square Footage Heated*** 800 - 2000 sq. ft.
- Hopper Capacity..... 120 pounds

Dimensions



EPA and Safety Compliance Specifications

- EPA Compliance Certified
- Particulate Emissions 1.55 grams/hr
- Efficiency* 78%
- Tested To..... ASTM E 1509, ULC/ORD-C1482-M1990 & ULC S627-00

*- This unit was not tested for efficiency; the efficiency shown is a default value normally attained by similar, certified pellet burning appliances.

** - Heat output, burn rate and maximum burn time are heavily dependent on the type of pellets burned in the stove; as such, these numbers may vary.

*** - The maximum heating capacity of this unit can vary greatly based on climate, construction style, insulation and a myriad of other factors. Use this information in conjunction with a BTU loss calculation for your home to determine if this unit will be sufficient for your needs.

IMPORTANT! READ AND FOLLOW ALL INSTALLATION AND MAINTENANCE INSTRUCTIONS, INCLUDING CLEANING THE UNIT AS SPECIFIED, AND REPLACING GASKETS ANNUALLY, AND PARTS AS NEEDED. ENGLAND'S STOVE WORKS IS NOT RESPONSIBLE FOR ANY DAMAGE OR INJURY INCURRED DUE TO NEGLIGENCE, OR DUE TO UNSAFE INSTALLATION OR USAGE OF THIS PRODUCT. CALL TECHNICAL SUPPORT WITH QUESTIONS.

INSTALLATION

Installation Overview

When choosing a location for your new stove, there are a multitude of factors that should be taken into account before beginning the installation.

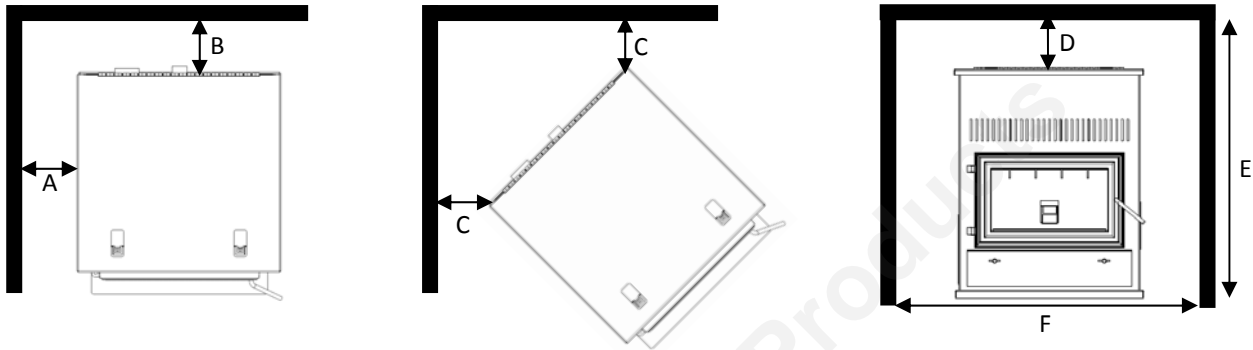
1. Traffic Patterns – To help prevent accidents, the stove should be placed in a location where it is out of the way of normal travel through the home.
2. Heat Flow – When deciding on a location for the stove, consider the way heat moves throughout your home. Install the stove where you need the heat; basement installations often do not allow sufficient heat to flow to the upper floors and a top floor installation will not allow any heat to reach the floors below. Always consider that heat rises and will take the path of least resistance while it is still hot.
3. Exhaust Location – Outside walls are generally the best place to install a stove, since they allow easy exhaust and intake air installation (using our DuraVent AC-3000 Kit, AC-33000 if Canada). If there is not a feasible way to install the stove on an outside wall, there are methods for venting the stove up through the roof, but they tend to be more costly because they involve the use of more pellet vent pipe and can often make outside air installation more difficult.
4. Wall Construction – Locating the stove so that the exhaust system can pass between studs will simplify the installation and eliminate the need to reframe any sections of the wall to accommodate the wall thimble.

WARNING

- Do not store or use gasoline or other flammable vapors and liquids in the vicinity of this or any other appliance.
- Do Not Overfire – If any external part starts to glow, you are overfiring. Reduce feed rate. Overfiring will void your warranty.
- Comply with all minimum clearances to combustibles as specified. Failure to comply may result in a house fire.
- Tested and approved for **wood pellets only**. Burning any other fuel will void your warranty.

INSTALLATION

Clearances to Combustibles



Unit to Side Wall	Unit to Rear Wall	Unit to Corner	Unit Top to Ceiling	Min. Ceiling Height	Min. Alcove Width	Max. Alcove Depth
A	B	C	D	E	F	Not shown
12 in.	6 in.	6 in.	28.5 in.	60 in.	48.25 in.	24 in.
304.8 mm.	152.4 mm.	152.4 mm.	723.9 mm.	1524 mm.	1225.6 mm.	609.6 mm.

CAUTION

- Keep children away.
- Supervise children in the same room as this appliance.
- Alert children and adults to the hazards of high temperatures.
- Do NOT operate with protective barriers open or removed.
- Keep clothing, furniture, draperies and other combustibles away.
- Installation MUST comply with local, regional, state and national codes and regulations.
- Consult local building, fire officials or authorities having jurisdiction about restrictions, installation inspection, and permits.

DO NOT CONNECT TO ANY AIR DISTRIBUTION DUCT OR SYSTEM

IMPORTANT! READ AND FOLLOW ALL INSTALLATION AND MAINTENANCE INSTRUCTIONS, INCLUDING CLEANING THE UNIT AS SPECIFIED, AND REPLACING GASKETS ANNUALLY, AND PARTS AS NEEDED. ENGLAND'S STOVE WORKS IS NOT RESPONSIBLE FOR ANY DAMAGE OR INJURY INCURRED DUE TO NEGLIGENCE, OR DUE TO UNSAFE INSTALLATION OR USAGE OF THIS PRODUCT. CALL TECHNICAL SUPPORT WITH QUESTIONS.

INSTALLATION

Venting Introduction

This pellet stove operates on a negative draft system, which pulls combustion air through the burn pot and pushes the exhaust air through the vent pipe and out of the building. This unit must be installed in accordance with the following detailed descriptions of venting techniques; not installing the stove in accordance with the details listed here can result in poor stove performance, property damage, bodily injury or death. England's Stove Works is not responsible for any damage incurred due to a poor or unsafe installation.

If questions arise pertaining to the safe installation of the stove, our Technical Support line (800-245-6489) is available. Contact your local code official to be certain your installation meets local and national fire codes and if you're uncertain about how to safely install the stove, we strongly recommend contacting a local NFI certified installer to perform the installation.

Venting Guidelines

- **ALWAYS** install vent pipe in strict adherence with the instructions and clearances included with your venting system.
- **DO NOT** connect this pellet stove to a chimney flue which also serves another appliance.
- **DO NOT** install a flue pipe damper or any other restrictive device in the exhaust venting system of this unit.
- **USE** an approved wall thimble when passing through a wall and a ceiling support/fire stop when passing through a ceiling.
- **ONLY** use 3.0" or 4.0" Type L or Type PL pipe approved for pellet stove venting; **DO NOT** use galvanized or B-Vent pipe.
- **SEAL** each joint of pellet vent with high temperature silicone (Part # AC-RTV3) to prevent smoke spillage into the home.
- **AVOID** excessive horizontal runs and elbows, as both will reduce the draft of the venting system and will result in poor stove performance.
- **INCLUDE** as much vertical pipe as possible to prevent smoke from the unit from entering your home in the event of a power outage.
- **INSPECT** your venting system often, to be certain it is clear of fly-ash and other restrictions.
- **CLEAN** the venting system as detailed in the maintenance section of this manual.

WARNING

- INSTALL VENT AT CLEARANCES SPECIFIED BY THE VENT MANUFACTURER.
- HOT! Do not touch! Severe burns or clothing ignition may result.
- Glass and other surfaces are hot during operation.

WARNING: Venting system surfaces get HOT, and can cause burns if touched.
Noncombustible shielding or guards may be required.

IMPORTANT! READ AND FOLLOW ALL INSTALLATION AND MAINTENANCE INSTRUCTIONS, INCLUDING CLEANING THE UNIT AS SPECIFIED, AND REPLACING GASKETS ANNUALLY, AND PARTS AS NEEDED. ENGLAND'S STOVE WORKS IS NOT RESPONSIBLE FOR ANY DAMAGE OR INJURY INCURRED DUE TO NEGLIGENCE, OR DUE TO UNSAFE INSTALLATION OR USAGE OF THIS PRODUCT. CALL TECHNICAL SUPPORT WITH QUESTIONS.

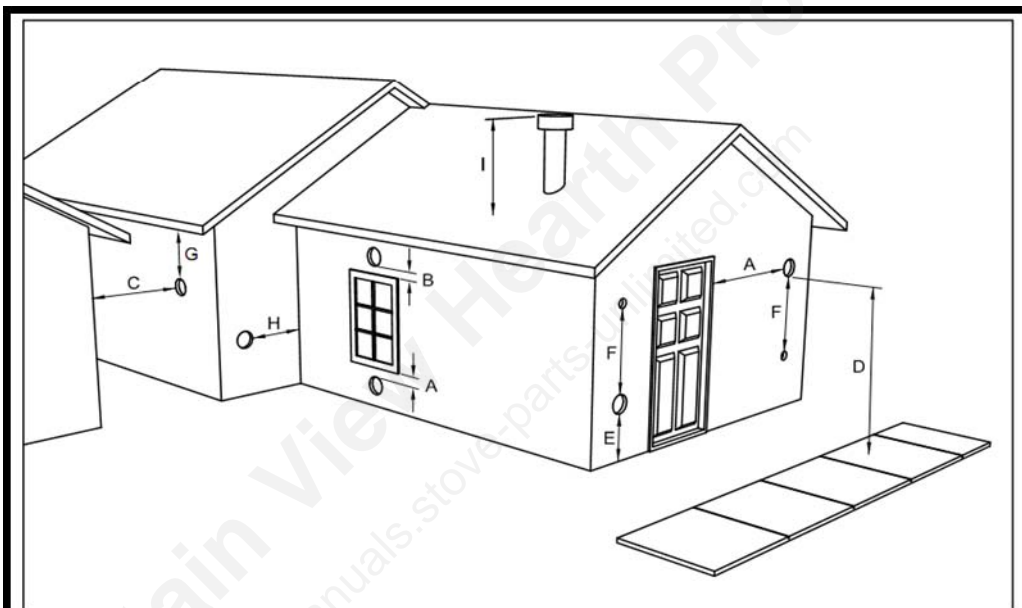
INSTALLATION

Additional Venting Information

- Do not mix and match components from different pipe manufacturers when assembling your venting system (i.e. Do **NOT** use venting pipe from one manufacturer and a thimble from another).
- We **require** a minimum vertical rise of 36 in. (3 ft.) of pipe to create natural draft in the system, which helps evacuate smoke from the stove in the event of a power failure or combustion blower failure.
- Venting systems 15.0 ft. or shorter may be composed entirely of 3.0 in. pellet pipe; to reduce frictional losses, venting systems longer than 15.0 ft. should be composed of 4.0 in. pellet pipe.
- Do not terminate the venting system directly beneath any combustible structure such as a porch or deck.
- Follow NFPA 211 rules listed below for venting system termination location relative to windows and other openings in the dwelling (see also Vent Termination Clearances).
 - NFPA 211 (2006 ed.) Section 10.4 Termination: 10.4.5
(1) The exit terminal of a mechanical draft system other than direct vent appliances (sealed combustion system appliances) shall be located in accordance with the following:
 - (a) Not less than 3 ft. (.91 m) above any forced air inlet located within 10 ft. (3.0m).
 - (b) Not less than 4 ft. (1.2 m) below, 4 ft. (1.2 m) horizontally from or 1 ft. (305 mm) above any door, window or gravity air inlet into any building.
 - (c) Not less than 2 ft. (0.61 m) from an adjacent building and not less than 7 ft. (2.1 m) above grade when located adjacent to public walkways.
- Distance between the termination opening and grade should be a minimum of 24 in. contingent on the grade surface below the termination. When determining the termination height above grade, consider snow drift lines and combustibles such as grass or leaf accumulation. In areas where significant snowfall is possible, the termination height must be sufficiently high to keep the termination free of snow accumulation.
- Do not use makeshift compromises during installation or install any component of the unit or venting system which could result in a hazardous installation.
- A chimney connector shall not pass through an attic or roof space, closet or similar concealed space, or a floor, or ceiling.
- Where passage through a wall, or partition of combustible material is desired, the installation shall conform to CAN/CSA-B365.

VENT TERMINATION CLEARANCES

- A) MIN. 4-FT CLEARANCE BELOW OR BESIDE ANY DOOR OR WINDOW THAT OPENS.
- B) MIN. 1-FT CLEARANCE ABOVE ANY DOOR OR WINDOW THAT OPENS.
- C) MIN. 2-FT CLEARANCE FROM ANY ADJACENT BUILDING.
- D) MIN. 7-FT CLEARANCE FROM ANY GRADE WHEN ADJACENT TO PUBLIC WALKWAYS.
- E) MIN. 2-FT CLEARANCE ABOVE ANY GRASS, PLANTS, OR OTHER COMBUSTIBLE MATERIALS.
- F) MIN. 3-FT CLEARANCE FROM A FORCED AIR INTAKE OF ANY APPLIANCE.
- G) MIN. 2-FT CLEARANCE BELOW EAVES OR OVERHANG.
- H) MIN. 1-FT CLEARANCE HORIZONTALLY FROM COMBUSTIBLE WALL.
- I) MUST BE A MINIMUM OF 36-INCHES ABOVE THE ROOF AND 24-INCHES ABOVE THE HIGHEST POINT OF THE ROOF WITHIN 10-FEET.



Notes on termination of Pellet Vent Pipe from NFPA 211 (2006 ed.) Section 10.4 Termination: 10.4.5 (See also “INSTALLATION” section of manual AND additional notes above):

1. Not less than three (3) feet above any forced air inlet located within ten (10) feet.
2. Not less than four (4) feet below, four (4) feet horizontally from, or one (1) foot above any door, window or gravity air inlet into any building.
3. Not less than two (2) feet from an adjacent building, and not less than seven (7) feet above grade where located adjacent to public walkways.

The exhaust exit shall be arranged so that the flue gases are not directed so that it will affect people, overheat combustible structures, or enter buildings. Forced draft systems and all parts of induced draft systems under positive pressure during operation shall be installed gastight or to prevent leakage of combustion products into a building. Through-the-wall vents shall not terminate over public walkways, or where condensate or vapor could create hazards or a nuisance.

Be sure to follow local codes and all manufacturer's instructions (including exhaust pipe).

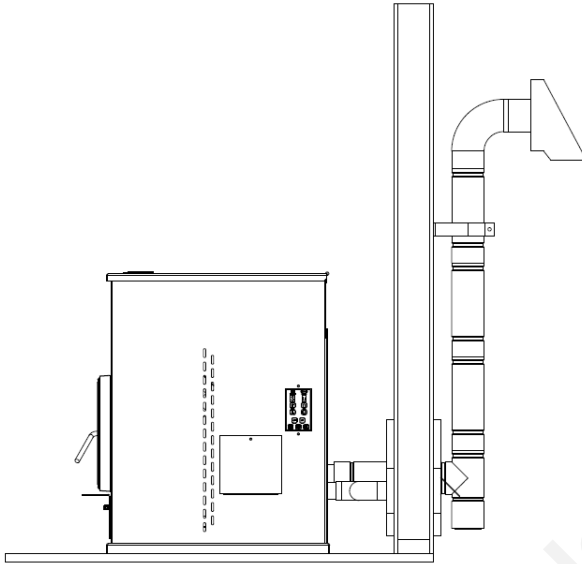
Consult a professional installer and/or call Technical Support if you have any questions.

IMPORTANT! READ AND FOLLOW ALL INSTALLATION AND MAINTENANCE INSTRUCTIONS, INCLUDING CLEANING THE UNIT AS SPECIFIED, AND REPLACING GASKETS ANNUALLY, AND PARTS AS NEEDED. ENGLAND'S STOVE WORKS IS NOT RESPONSIBLE FOR ANY DAMAGE OR INJURY INCURRED DUE TO NEGLIGENCE, OR DUE TO UNSAFE INSTALLATION OR USAGE OF THIS PRODUCT. CALL TECHNICAL SUPPORT WITH QUESTIONS.

INSTALLATION

For high altitude installations (above 4,000 ft.), the vent pipe should be increased from 3-inch (3") to four-inch (4").

Approved Venting Method 1: Through the Wall



- Generally the simplest installation method, venting through the wall using our AC-3000 kit, AC-33000 if Canada (or similar venting system) is also the preferred venting method. It minimizes horizontal pipe, allows the stove to be installed close to the wall and keeps the clean-out tee on the outside of the house, for ease of cleaning.
- When installing any venting system, **Type L** or **Type PL** pipe must be used and all clearances to combustibles (listed by the pipe manufacturer) must be strictly adhered to.
- Use the pipe manufacturer's approved thimble for passing through a combustible wall, and maintain at least the minimum

clearances to combustibles.

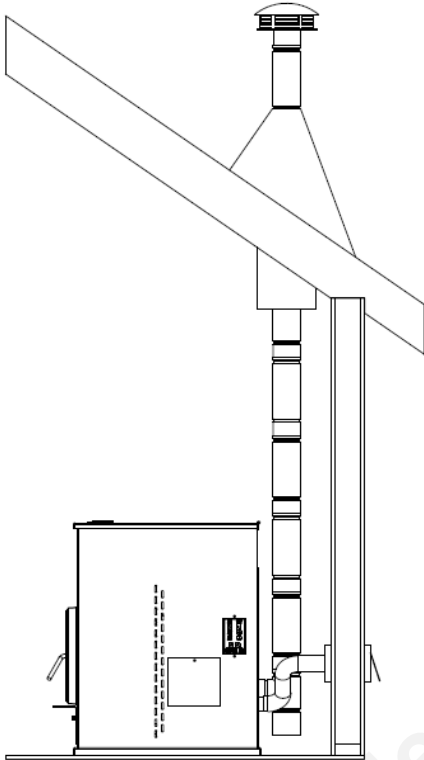
- Use an appliance collar where the pellet vent connects to the exhaust output of the pellet stove and attach the appliance collar to the exhaust blower output using three sheet metal screws.
- Secure the pellet vent to the outside of the house using a wall strap just below the 90 degree elbow.
- Seal each pipe connection joint with high temperature RTV Silicone, to ensure the system is leak free (Check with the specific venting system manufacturer's instructions before doing so).
- If the pellet vent pipe being used is not a "Twist Lock" system, three (3) sheet metal screws are required at each pipe joint.
- Connect the pellet stove to outside combustion air using the kit included with your stove or using an alternative method, as described in the "Outside Air" section, on page 15.
- This installation type can be modified for basement (**Basement installations should always be performed by a professional installer**) or other installations wherein the tee and vertical section of the pipe would be inside the home and the venting system would simply pass horizontally through the thimble and then terminate.

Please Note: Installation diagrams are for reference purposes only and are not drawn to scale, nor meant to be used as plans for each individual installation. Please follow all venting system requirements, maintain the required clearances to combustibles, and follow all local codes.

INSTALLATION

For high altitude installations (above 4,000 ft.), the vent pipe should be increased from 3-inch (3") to four-inch (4").

Approved Venting Method 2: Through the Ceiling



- Venting through the ceiling/roof may be the only feasible venting option in some cases and is a factory recommended installation.
- When installing any venting system, **Type L** or **Type PL** pipe must be used and all clearances to combustibles listed by the pipe manufacturer must be strictly adhered to.
- Use the pipe manufacturer's approved ceiling support for passing through a combustible ceiling, as well as the required firestops, radiation shields, flashing and storm collar.
- Be certain to follow the manufacturer's required height of termination above the roof line, and maintain at least the minimum clearances to combustibles.
- Use an appliance collar where the pellet vent connects to the exhaust output of the pellet stove

and attach the appliance collar to the exhaust blower output using three sheet metal screws.

- Seal each pipe connection joint with high temperature RTV Silicone, to ensure the system is leak free (Check with the specific pipe manufacturer's instructions before doing so).
- If the pellet vent pipe being used is not a "Twist Lock" system, three (3) sheet metal screws are required at each pipe joint.
- Connect the pellet stove to outside combustion air using the kit included with your stove or using an alternative method, as described in the "Outside Air" section, on page 15.
- This venting method can also be modified so that the venting system runs horizontally through the wall from the stove, then transitions to vertical and terminates above the roofline. When using this modified version of this installation be certain to carefully follow the venting system manufacturer's instructions diligently.

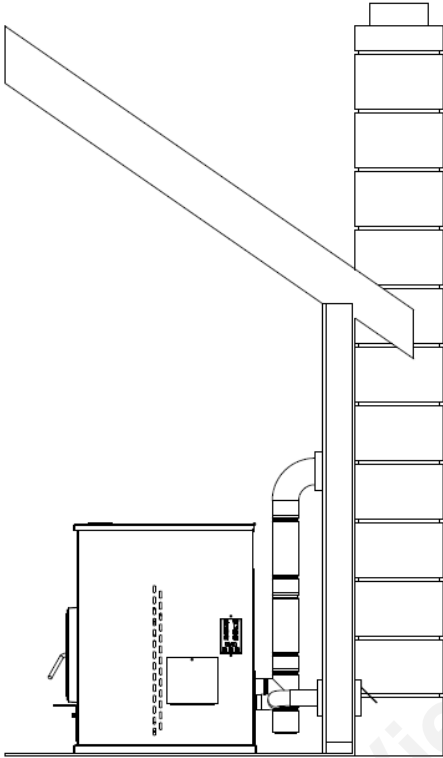
Please Note: Installation diagrams are for reference purposes only and are not drawn to scale, nor meant to be used as plans for each individual installation. Please follow all venting system requirements, maintain the required clearances to combustibles, and follow all local codes.

IMPORTANT! READ AND FOLLOW ALL INSTALLATION AND MAINTENANCE INSTRUCTIONS, INCLUDING CLEANING THE UNIT AS SPECIFIED, AND REPLACING GASKETS ANNUALLY, AND PARTS AS NEEDED. ENGLAND'S STOVE WORKS IS NOT RESPONSIBLE FOR ANY DAMAGE OR INJURY INCURRED DUE TO NEGLIGENCE, OR DUE TO UNSAFE INSTALLATION OR USAGE OF THIS PRODUCT. CALL TECHNICAL SUPPORT WITH QUESTIONS.

INSTALLATION

For high altitude installations (above 4,000 ft.), the vent pipe should be increased from 3-inch (3") to four-inch (4").

Approved Venting Method 3: Existing Chimney System



- Using an existing masonry or factory built chimney for venting is the only other acceptable method for venting this pellet unit.
 - Use **Type L** or **Type PL** venting pipe until entering the existing chimney. Use the appropriately sized adapter when transitioning from the pellet vent pipe to the masonry or factory built thimble and be certain that the adapter is sealed tightly to both the pellet venting system and the existing chimney.
 - Before using an existing chimney, be certain it is in good condition (A chimney sweep inspection is highly recommended). Also, make sure the chimney meets the minimum standards listed in NFPA 211 (A chimney professional can confirm this upon inspection).
 - If connecting this stove to a factory built chimney, it may **ONLY** be a 6" flue, UL103 HT venting system (ULC S629 if Canada). Connection to any other factory built chimney may result in a poorly operating or dangerous stove installation.
- When connecting to an existing masonry chimney, the cross-sectional area of the flue must be considered. A chimney with a flue larger than 6" round (28.27 sq. in.) may require relining with an approved pellet stove chimney lining system.
 - Use an appliance collar where the pellet vent connects to the exhaust output of the pellet stove and attach the appliance collar to the exhaust blower output using three sheet metal screws.
 - Seal each pipe connection joint with high temperature RTV Silicone, to ensure the system is leak free (Check with the specific pipe manufacturer's instructions before doing so).
 - If the pellet vent pipe being used is not a "Twist Lock" system, three (3) sheet metal screws are required at each pipe joint.
 - Connect the pellet stove to outside combustion air using the kit included with your stove or using an alternative method, as described in the "Outside Air" section, on page 15.

Please Note: Installation diagrams are for reference purposes only and are not drawn to scale, nor meant to be used as plans for each individual installation. Please follow all venting system requirements, maintain the required clearances to combustibles, and follow all local codes.

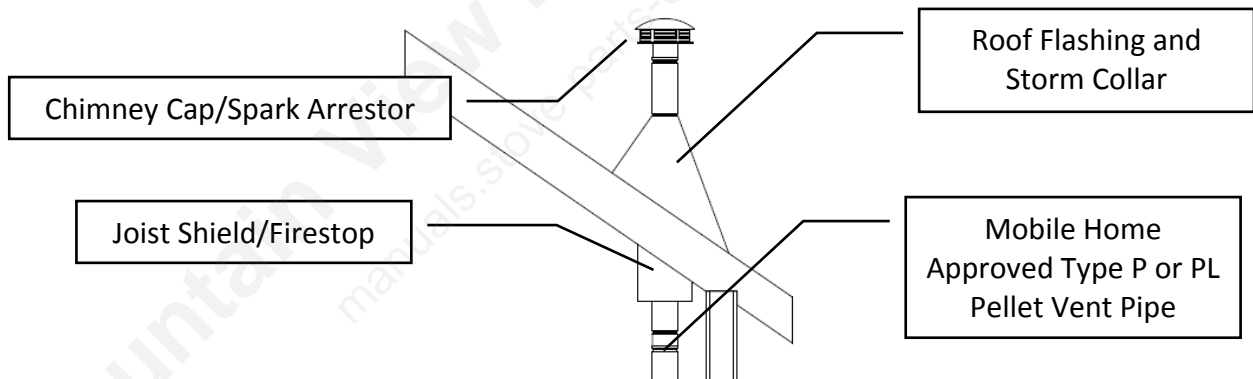
IMPORTANT! READ AND FOLLOW **ALL** INSTALLATION AND MAINTENANCE INSTRUCTIONS, INCLUDING CLEANING THE UNIT AS SPECIFIED, AND REPLACING GASKETS ANNUALLY, AND PARTS AS NEEDED. ENGLAND'S STOVE WORKS IS NOT RESPONSIBLE FOR ANY DAMAGE OR INJURY INCURRED DUE TO NEGLIGENCE, OR DUE TO UNSAFE INSTALLATION OR USAGE OF THIS PRODUCT. CALL TECHNICAL SUPPORT WITH QUESTIONS.

INSTALLATION

For high altitude installations (above 4,000 ft.), the vent pipe should be increased from 3-inch (3") to four-inch (4").

Mobile Home Installation

- The England's Stove Works, Inc. outside air kit **MUST** be used for installation of this unit in a mobile home. Please see the "Outside Air" section on page 15 for more information regarding outside air connections.
- The outside air inlet must be kept clear of leaves, ice and other debris. Keeping the outside air inlet free of restriction is crucial to preventing air starvation and smoke spillage.
- The pellet stove **MUST** be secured to the floor of the mobile home using lag bolts and the holes provided in the bottom of the base for this purpose. Outdoor-aired space heaters must be attached to the structure.
- The pellet stove **MUST** be grounded with #8 solid copper grounding wire (or equivalent), terminated at each end with an NEC approved grounded device.
- Carefully follow all clearances listed in the appropriate section of this manual AND follow the venting manufacturer's minimum clearance requirements. Similarly, be certain the venting system used is approved for mobile home use.
- Installation must be in accordance with Manufacturers Home & Safety Standard (HUD) CFR 3280, Part 24 as well as any applicable local codes.
- Use silicone to create an effective vapor barrier at the location where the chimney or outside air ducting passes through to the exterior of the structure.



WARNING: DO NOT INSTALL IN A SLEEPING ROOM.

CAUTION

THE STRUCTURAL INTEGRITY OF THE MANUFACTURED HOME FLOOR, WALL AND CEILING/ROOF MUST BE MAINTAINED.

DO NOT CUT THROUGH FLOOR JOISTS, WALL STUDS, CEILING TRUSSES OR ANY OTHER SUPPORTING MATERIAL WHICH COULD BE DETRIMENTAL TO THE STRUCTURAL INTEGRITY OF THE HOME.

IMPORTANT! READ AND FOLLOW ALL INSTALLATION AND MAINTENANCE INSTRUCTIONS, INCLUDING CLEANING THE UNIT AS SPECIFIED, AND REPLACING GASKETS ANNUALLY, AND PARTS AS NEEDED. ENGLAND'S STOVE WORKS IS NOT RESPONSIBLE FOR ANY DAMAGE OR INJURY INCURRED DUE TO NEGLIGENCE, OR DUE TO UNSAFE INSTALLATION OR USAGE OF THIS PRODUCT. CALL TECHNICAL SUPPORT WITH QUESTIONS.

OUTSIDE AIR HOOK-UP

- The use of outside combustion air is **mandatory** on this pellet stove.
- The outside air connection pipe protrudes from the lower rear center of the stove; use the included outside air kit to attach your stove to outside combustion air. Instructions and all the parts needed to make the outside air connection to your pellet stove are included with the outside air kit.
- If it is not feasible to use the included outside air hookup kit in your stove installation, other materials may be used, provided the following rules are followed:
 - The pipe used for outside air hookup must be metal, with a minimum thickness of .0209in. (25 gauge mild steel) or greater and an inside diameter of approximately 2.0 in.
 - All pipe joints and connections should be sealed with pipe clamps or other mechanical means, to insure a leak free outside air connection.
 - Long runs of pipe and excessive elbows for outside air should be avoided. Due to frictional resistance in pipe, any excessive outside air piping can result in poor stove performance.
 - A screen or other protection device must be fitted over the outside air termination point to prevent rain, debris and nuisance animals from entering the piping system.
 - Increase the outside air pipe size to 3.0 in. diameter pipe if the outside air connection is more than 6 ft. in length, more than two (2) elbows are used or if the stove is installed in a basement.
- The outside air connection system should be inspected at least annually to be certain it is free from blockage.

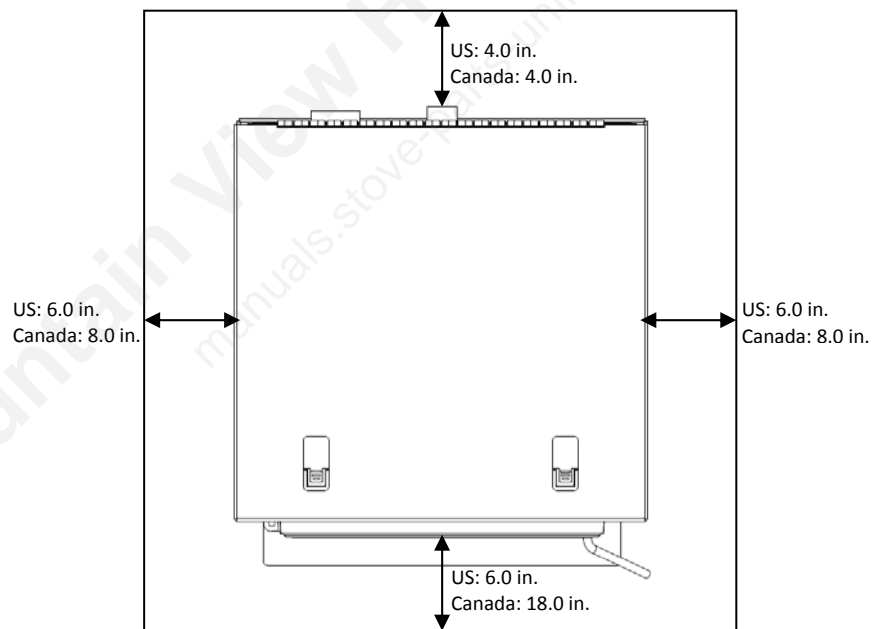
Caution

NEVER draw outside combustion air from:

- Wall, floor or ceiling cavity.
- Enclosed space such as an attic, garage or crawl space.

FLOOR PROTECTION

- This pellet stove requires a non-combustible floor protector if the stove is to be installed on a combustible floor. If the floor the stove is to be installed on is already non-combustible (i.e. a concrete floor in a basement) and has an R value equal to or higher than .2, no floor protection is needed (although a decorative floor protector can still be used for aesthetic reasons).
- Prefabricated floor protectors which are UL listed (ULC if Canada) or equivalent can be purchased or a floor protector can be built from standard materials; two sheets of .5" thick cement board covered with ceramic tile would be a suitable floor protector which meets the .2 R-value requirement.
- When using any floor protector, consider that this stove is not only heavy but will induce heating and cooling cycles on the floor protector which can damage tile and loosen mortar and grout joints. A hearth rug is **NOT** an approved substitute for a proper hearth pad.
- **For the US:** The floor protector must extend at least 6 in. (152.4 mm) from the front & sides and 4 in. (101.6 mm) from the rear.
- **For Canada:** The floor protector must extend at least 18.0 in. (457.2 mm) from the front of the unit, 8.0 in. (203.2 mm) from the sides of the unit and 4.0 in. (101.6 mm) from the rear.



- In Canada, it is required that the non-combustible floor protector is underneath and extends 2 in. (50.8 mm.) on either side of any horizontal venting runs **AND/OR** is directly underneath any vertical venting pipe.

DAILY OPERATION

Getting Started

- Check to see that the hopper is clean and free from foreign materials. Be sure to connect this unit to a working outlet; we recommend using a surge protector to help protect the electronic components from damage.
- **BEFORE** your first fire, dry run your unit (no pellet fuel in the hopper) for twenty minutes; pressing the “ON” button with the unit plugged in will initiate the dry run.
 - Once the “ON” button is pressed, you should immediately hear the exhaust blower start and operate continuously.
 - After about three to five minutes, look for the red glow of the igniter in the igniter port of the burn pot to be certain it is operating normally.
 - Hold the hopper lid switch (See “Illustrated Parts Diagram” pg. 38) down with your finger and check to see that the auger is turning. Release the hopper lid switch and be certain that the auger stops turning. **DO NOT PUT YOUR FINGERS IN THE HOPPER OR NEAR THE ROTATING AUGER.**
- After about twenty minutes, the control board should display “E-2” in the two display windows (More information on Error Codes can be found in the Error Code section of this manual).
- At this point, the dry run is complete and your pellet heating appliance is ready for normal operation.

Lighting a Fire

- In order for this stove to operate, the hopper must first be filled with pellet fuel. Lift the hopper lid using the flush-mount handle and pour the pellet fuel directly into the hopper.
 - ❖ We recommend using only pellets manufactured by PFI Certified facilities, since pellets bearing the PFI stamp of approval will be low in ash and moisture, high in BTU’s, and uniform in size and quality.
- This pellet stove will perform equally well using softwood and hardwood pellets, and although the ash may differ slightly in appearance or texture, both types of pellets will burn cleanly and efficiently in this stove.
- This pellet stove is equipped with an automatic pellet ignition system; the only user input required to light the stove is a simple press of the “On” button.
- Shortly after pressing the “On” button, the letters “**S U**” will appear in the heat range and blower speed windows of the control board. This indicates the stove has entered the start-up sequence and is operating normally.

- The fuel feed rate and combustion air during start-up is determined by the control board, so the stove may be started on any heat range.
- After approximately fifteen minutes, the fire should be burning brightly and the “S U” should disappear from the control board. At this point, the stove has begun normal operation and the display windows on the control board will remain empty, unless the Heat Range or Blower Speed is adjusted.

Daily Operation Notes

- Only high quality, ¼” (.25 in.) diameter wood pellets, should be used in this stove. Using low grade wood pellets with high ash content OR wood pellets with a high moisture content can cause the burnpot to fill with ash at a more rapid pace and can cause intervals between periodic maintenance to become significantly shorter. Please read the “Maintenance” section of this manual thoroughly to understand how fuel selection affects stove operation, maintenance and cleaning.
- Variation in the flame height is normal; not all wood pellet fuel is uniform in size, which can affect the way pellets are fed into the burnpot. Although the flame height may increase and decrease during operation, there is no loss of efficiency.
- Always store wood pellet fuel in a dry location; storing wood pellet fuel in a dry location ensures the fuel will remain pelletized and low in moisture content. Also, be certain that all wood pellet fuel is stored at a safe distance from the pellet heater; storing fuel in close proximity to the stove can result in a fire.

This pellet burning room heater is equipped with a specially designed burnpot which comes preinstalled from the factory. This burnpot elevates the burning pellets and delivers air at the precise required locations. Pellets must only be burned in the factory burnpot; no modifications should be made to this burnpot and no additional grates or other fire elevators should be added.

**DO NOT USE CHEMICALS OR FLUIDS TO START THE FIRE.
DO NOT BURN GARBAGE OR FLAMMABLE FLUIDS SUCH AS GASOLINE, NAPHTHA OR
ENGINE OIL.**

CAUTION
**NEVER USE GASOLINE, GASOLINE-TYPE LANTERN FUEL, KEROSENE, CHARCOAL LIGHTER
FLUID, OR SIMILAR LIQUIDS TO START OR “FRESHEN UP” A FIRE IN THIS HEATER. KEEP ALL
SUCH LIQUIDS WELL AWAY FROM THE HEATER WHILE IN USE. ADDITIONALLY, NEVER
APPLY FIRE-STARTER TO ANY HOT SURFACE OR EMBERS IN THE STOVE.**

CONTROL BOARD SETTINGS

The control board on this stove allows the user to adjust the heat output and convection blower speed, turn the unit on and off, and test components for function (more on diagnostic mode later).

- The lower buttons on the control board (Low Fuel Feed, Low Burn Air, and Air on Temp) are not meant to be adjusted during normal operation of the unit. These buttons are factory preset and can not be adjusted by the user.
- To energize the unit and initiate a fire, press the “On” button. The LED above the button should turn green and the control board should display “S U” shortly after pressing the button.
- To shut the unit down, press the “Off” button. The LED above the button should turn red and the board should display “S d” shortly after pressing the button. This initiates the shut down sequence, and the stove will remain in shut down mode until it has cooled down.
- To increase the heat output of the stove, press the “Up” heat range button. The number in the heat range display window will increase, signifying that the control board is now adjusting the heat output to your desired level. The blower speed will increase the same amount as the heat range, because the stove is designed to operate with the blower speed greater than or equal to the heat range. Pressing the “Down” arrow will decrease the heat range and blower speed.
- To increase the blower speed without increasing the heat range, press the Blower Speed “Up” arrow until the desired blower speed is shown in the display window. Pressing the “Down” arrow will decrease the blower speed; however, the control board will not allow the blower speed to be set lower than the heat range.

Caution

This unit is meant to operate only with the ash pan and main viewing door closed. Smoke spillage and an inefficient, lazy burn will result from attempting to operate the stove with either door open. In addition, using fuel other than wood pellets can create an unsafe situation and can also generate excess carbon monoxide. Carbon monoxide is an odorless, colorless gas which can be deadly. Please burn only wood pellets.

ERROR CODES

Error codes, or “E-Codes,” are alphanumeric codes that will appear in the Heat Range and Blower Speed windows of the Control Board if the unit experiences an abnormal condition. Error codes are the control board’s way of telling the user that something isn’t operating correctly within the stove, and that the unit should be carefully inspected before reigniting. See the “Trouble-Shooting Guide,” page 31, for additional information on error codes.

E-0

- When this is displayed in the control board windows (typically when restarting after an “E-Code” shutdown), it means there are currently no errors and the stove will begin normal operation.

E-1

- This error code is not used on this stove. If it is displayed in the control board windows, please contact Technical Support and they will diagnose the cause of the false code.

E-2

- When this code is displayed in the control board window it indicates a failure to light. Although the stove may have ignited the pellets, the control board did not register a high enough temperature to determine the fire was lit. If a fire was ignited, wait for the unit to cool, clean the burnpot and restart the unit.

E-3

- This error code indicates the preset maximum allowable exhaust temperature was exceeded. Commonly referred to as “Over-Firing,” the E-3 code means something in the stove is causing the exhaust gas to be hotter than expected.

E-4

- This code is displayed based on a drop in the exhaust temperature. This code means the fire or “proof of flame” has been lost. It usually results from the hopper being empty.

If an error code continues to display, if the error code seems unexplainable, or if you have any other questions about error codes and what they mean, please contact Technical Support at (800) 245-6489.

Hopper Lid Safety Switch - This unit is also equipped with a hopper lid safety switch (Part # AC-HLSB) which is directly connected to the auger motor. In the event the hopper lid is left open while the stove is in operation, the hopper lid switch will prevent the auger from turning. This is to prevent byproducts of combustion from entering the home through the open hopper lid and also to simply prevent operation with the hopper lid open. Improper hopper lid safety switch operation will result in an auger that will not turn and therefore a stove that will not burn. NEVER place your hand or any object near the auger while the stove is connected to power.

POWER FAILURE

If the power to the unit is interrupted for approximately three minutes or less, the unit will resume operation when power is restored according to the following table:

Unit's State Before Power Loss	State When Power Returns
ON	Start-Up
Start-Up	Start-Up
Shut-Down	Shut-Down
OFF	OFF

- If the power is interrupted for more than (approximately) three minutes, the unit will be "OFF" when power returns.
- **IMPORTANT** – Do **NOT** open the hopper lid or the door to the unit during power outage. Open the closest outside door and a window to reduce the chance of any combustion byproducts entering the home from the stove.
- Wait for the power to be restored and then press the "ON" button to restart the unit, if necessary.

Smoke Detectors

England's Stove Works, Inc. highly recommends the use of smoke detectors in every room of the house. However, locating a smoke detector directly above this unit can result in nuisance alarms.

Caution – Shock Hazard

Press the "Off" button and let the appliance completely cool BEFORE unplugging the appliance and beginning any maintenance or component replacement.

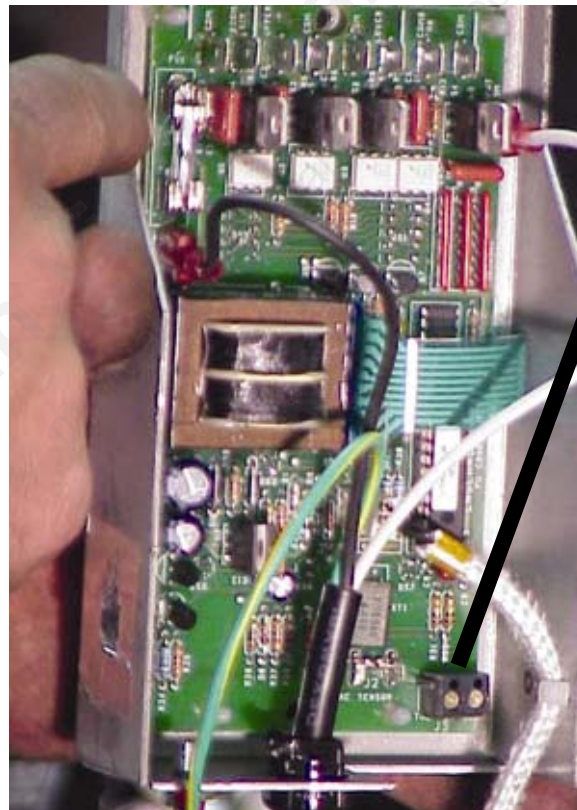
Risk of shock if appliance is not unplugged before service.

IMPORTANT! READ AND FOLLOW ALL INSTALLATION AND MAINTENANCE INSTRUCTIONS, INCLUDING CLEANING THE UNIT AS SPECIFIED, AND REPLACING GASKETS ANNUALLY, AND PARTS AS NEEDED. ENGLAND'S STOVE WORKS IS NOT RESPONSIBLE FOR ANY DAMAGE OR INJURY INCURRED DUE TO NEGLIGENCE, OR DUE TO UNSAFE INSTALLATION OR USAGE OF THIS PRODUCT. CALL TECHNICAL SUPPORT WITH QUESTIONS.

THERMOSTAT OPERATION

Thermostat Installation

1. Unplug the unit and remove the back panel of the stove.
2. Locate the thermostat connect block, labeled J18, on the rear of the control board, near the bottom (See image below and pg. 37 of this manual for a control board diagram). It will have a small wire “jumper” installed in it from the factory. This jumper bypasses the thermostat and should be saved.
3. Loosen the two screws using a small slotted “jewelers” screwdriver and remove the “jumper.”
4. Insert the two thermostat wires in place of the “jumper” and retighten the screws.
5. Reinstall the back panel and mount the thermostat; the control board automatically reads the thermostat and your stove is now ready for thermostat operation.



Connect
thermostat
wires here
(J18)

IMPORTANT! READ AND FOLLOW ALL INSTALLATION AND MAINTENANCE INSTRUCTIONS, INCLUDING CLEANING THE UNIT AS SPECIFIED, AND REPLACING GASKETS ANNUALLY, AND PARTS AS NEEDED. ENGLAND'S STOVE WORKS IS NOT RESPONSIBLE FOR ANY DAMAGE OR INJURY INCURRED DUE TO NEGLIGENCE, OR DUE TO UNSAFE INSTALLATION OR USAGE OF THIS PRODUCT. CALL TECHNICAL SUPPORT WITH QUESTIONS.

THERMOSTAT OPERATION

Thermostat Operation Details

- The 25-PAH was designed to operate equally well in both manual and thermostat mode. While using the control board for heating control gives the user control over the heat output of the stove, the thermostat allows the stove to “start-up” and “shutdown” independently, which will help maintain your house at a more constant temperature and save pellet fuel.
- This pellet stove can be connected to either a wall thermostat (Part # PU-DTSTAT) or wireless remote thermostat (Part # AC-3003). Although either thermostat will operate the stove properly, we highly recommend the wireless thermostat for the convenience of starting your pellet stove from anywhere in the house.
- Remember to locate the thermostat near the stove in a central location; putting the thermostat in a distant room can cause the stove to overheat the room it’s located in because the thermostat will only sense the temperature of the room in which it is located.

THERMOSTAT OPERATION: This stove is equipped with a unique, new feature that allows two options for thermostatic operation: The stove comes from the factory pre-programmed in “On/Off mode,” which turns the stove on and off when the call for heat comes or leaves, like a furnace. The second, or “High/Low mode,” burns at whichever heat range you set the stove at until the call for heat leaves, at which point the stove goes to the Low heat range setting. To set the stove in the “High/Low mode,” unplug the unit and plug it back in, then press and release both down arrows; H L appears in the heat range and blower speed windows. The unit is now in “High/Low mode.” (Note: Repeat this to change back to “On/Off mode;” a 0 0 will appear in the heat range and blower speed windows). Using a thermostat in On/Off mode may shorten the life of your stove’s igniter.

OPTIONAL ACCESSORIES

Wall Thermostat (PU-DTSTAT)

- Installing this wall thermostat allows the 25-PAH to operate on the same principle as a furnace: The stove will shut-down and relight as the call for heat comes and goes (in On/Off mode, see above). This will maintain the house at a more constant temperature, while conserving pellets.

Remote Thermostat (AC-3003)

- The remote thermostat for the 25-PAH takes the convenience of thermostat operation one step further by allowing temperature adjustments from anywhere in the home. The remote thermostat allows precise temperature control from wherever you desire and only requires six (6) AA batteries to operate.

DAILY MAINTENANCE

Disposal of Ashes – Ashes should be placed in a metal container with a tight fitting lid. The closed container of ashes should be placed on a noncombustible floor or on the ground, well away from all combustible materials, pending final disposal. If the ashes are disposed of by burial in soil or otherwise locally dispersed, they should be retained in the closed container until all cinders have been thoroughly cooled.

Important Notes

- As with any maintenance concerning this unit, be sure the unit is “OFF” and has completed the Shut-Down cycle **BEFORE** beginning.
- Be aware that metal parts in the firebox can remain **HOT** long after the fire has gone out and **EVEN** after the Shut-Down cycle is complete. Always use extreme caution when handling potentially hot stove parts, even if you think they should be cold.
- Ashes should only be removed when the stove has been shut-down and has been allowed to cool thoroughly. Hot embers can remain under ashes long after the fire has gone out, so always be extra careful when handling any ashes from this (or any) stove.
- Different pellets will generate varying amounts of ash and burnpot deposits. Carefully monitor the ash build up in the stove when first operating the unit, as well as whenever a different brand of pellets is burned.
- While the amount of ash generated by this unit is not excessive compared to a traditional log-burning woodstove, keeping the unit clean and free of ash is **ESSENTIAL** for peak performance and maximum efficiency. Ash build-up hampers airflow, reduces efficiency, and can cause a smoke back.
- England’s Stove Works® is not responsible for any damages incurred due to a poorly maintained and/or dirty stove. This pellet stove is a highly efficient machine and, as such, requires sufficient maintenance to keep it operating at its peak.

Ash Removal and Disposal

- Press the “Off” button and allow the stove to complete the shut-down cycle and cool completely.
- Because of the open design of the firebox, the majority of the ash will already be in the ash pan. Open the main door of the stove and use an old paint brush or putty knife to move ash from around the burnpot into the ash pan below.

- Use a long handled screwdriver or putty knife to remove any deposits left in the burnpot, being careful to remove them from the burnpot and not allow them to filter down into the cradle area. Excessive ash build-up in the cradle can cause poor stove performance (See “Cleaning the Burnpot,” below).
- Turn the ash pan latch counterclockwise until it releases and slide the ash pan out of the stove.
- Dump the ashes into a metal container (as described above) and store them on a non-combustible surface to allow any embers to cool before disposal.
- Slide the ash pan back into the stove; rotate the latch clockwise, making certain it catches the lip above the ash pan opening. The stove is now ready to resume normal operation.
- Be certain the ash pan is **ALWAYS** installed properly in the stove; an air-tight seal around the ash pan is crucial for proper operation of the stove.

Cleaning the Burnpot

Along with removing ashes from the stove, cleaning the burnpot is the other essential part of daily maintenance that will keep the stove operating at its peak. Pellets contain varying amounts of impurities and fusible material that will accumulate in the burnpot over time. Some pellets will contain much higher amounts of these fusible impurities, therefore extra vigilance may be required to maintain a clean burnpot. Allowing impurities to build up in the burnpot can restrict the air-flow to the fire, resulting in a dirty, inefficient burn.

- Always allow the stove to finish the shut-down cycle and cool completely before performing any maintenance inside the firebox.
- Open the main door of the stove and remove the burnpot by lifting it straight up and out of the cradle. **WARNING** – The burnpot can remain HOT long after the fire has gone out, so wear protective gloves whenever handling a potentially hot burnpot.
- Once the burnpot is out of the stove, use a long handled screwdriver or putty knife, as previously mentioned, to remove any deposits from the inside of the burnpot.
- Be certain all air orifices are clear and unrestricted by fusible ash matter; a fine tipped screwdriver or scratch awl can be useful in removing stubborn matter from these orifices.
- Remove any ash material from the bottom of the cradle and brush any ash from the top of the cradle into the ash pan below. Keeping the top of cradle free of ash is crucial in allowing the burnpot to make a positive air-tight seal with the top of the cradle.
- Insert the burnpot back into the cradle using the reverse of the procedure detailed above.

MONTHLY MAINTENANCE

Important Notes

- As with any maintenance concerning this unit, be sure the unit is “OFF,” has completed the Shut-Down cycle, and is completely cool **BEFORE** beginning.
- Be aware that metal parts in the firebox can remain **HOT** long after the fire has gone out and **EVEN** after the Shut-Down cycle is complete. Always use extreme caution when handling potentially hot stove parts, even if you think they should be cold.
- Monthly maintenance should include the steps listed in this section **AS WELL AS** the steps listed in the “Daily Maintenance” section.
- Intervals between monthly cleanings will depend on the duration that the stove is burning on a daily basis. A stove which is operated continuously will need more frequent monthly cleanings than a stove which is used periodically as supplemental heat.
- A good rule of thumb for monthly maintenance is that it should be done each time an entire ton of pellets is burned **OR** once per month, whichever comes first.
- If excess ash accumulation is found in the exhaust chamber or venting system during monthly maintenance, the interval between cleanings should be reduced to eliminate the possibility of poor stove performance due to ash accumulation.

Exhaust Chamber Cleaning

The exhaust chamber of the stove was intentionally designed as an ash accumulation area. Allowing ash to accumulate here prevents excess ash build-up in the combustion blower and the venting system. Similarly, the exhaust chamber is easily accessible via the two exhaust chamber clean-out ports located in the firebox.

- Using a 5/16” socket wrench, remove the two screws which hold each of the clean-out covers in place. The cleanout covers are located on the back wall of the firebox, near the bottom.
- Remove the cleanout covers from the firebox and **BEFORE** vacuuming the chamber out, observe the type and quantity of ash build-up. The ash deposited in the exhaust chamber should be light, fluffy, grey or white in color, and should be no higher than half way up the clean-out port.
 - Do **NOT** allow the ash to accumulate higher than about half way up the cleanout port; significant ash accumulation in this area can “choke” the combustion blower and cause poor stove performance.

- Using a utility type vacuum cleaner, vacuum the fly ash out of the exhaust chamber. A short piece of hose can be attached to the end of the utility vacuum line and can be useful in reaching the ash which accumulates between the clean-out ports.
- A specially designed ash vacuum and pellet stove cleaning kit is available from the England's Stove Works website; please see: <http://www.englishstoves.com/store/>.
- Once all ash has been removed from the exhaust chamber, reinstall the cleanout port covers, using the screws previously removed.
- Be certain to tighten the screws down to sufficiently seal the cleanout port covers, but do not over-tighten them, as it possible to damage the screw.

Venting Pipe Cleaning

- Low spots and direction changes in the venting system (such as tees and elbows) are areas for potential fly-ash and creosote accumulation. **INSPECT** these areas diligently to keep the venting system in safe operating condition.
- Depending on the specific type of venting system your stove is connected to, it may be possible to remove the clean-out tee cover and simply run a pipe brush up the pipe to remove any fly-ash accumulation. Brushes specifically made for cleaning pellet pipe are available at the retailer where you bought this stove, as well as at most hearth product dealers.
- Horizontal runs of pipe, such as from the exhaust connection on the stove to the vertical transition, will accumulate fly ash and should be inspected carefully and brushed clean.
- Check the termination cap to be certain is not clogged or restricted by any fly-ash accumulation.
- After thoroughly cleaning the venting system, reseal any disassembled seams with high temperature silicone (Part # AC-RTV3) if applicable to your venting system.
- Inspect seams that were not disassembled to be certain a smoke-tight seal is still being made.
- After prolonged use, leaks in the venting system can usually be found by searching for fly-ash deposits on the outside of the pipe. Carefully check for leaks in the venting system and seal them accordingly.
- Although most pellet venting systems are designed to last a lifetime, pellet fly-ash can be corrosive under certain conditions. When cleaning your venting system, examine the pipe carefully for any signs of deterioration and replace sections that show excessive wear. It is unlikely that this will ever be a concern, but maintaining your venting system in safe operating condition is crucial to safe stove operation.

YEARLY MAINTENANCE

Important Notes

- As with any maintenance concerning this unit, be sure the unit is “OFF,” has completed the Shut-Down cycle, and is completely cool **BEFORE** beginning.
- Be aware that metal parts in the firebox can remain **HOT** long after the fire has gone out and **EVEN** after the Shut-Down cycle is complete. Always use extreme caution when handling potentially hot stove parts, even if you think they should be cold.
- Yearly (or end of season) maintenance should include the steps listed in this section **AS WELL AS** the steps listed in the “Daily Maintenance” and “Monthly Maintenance” sections of this manual.
- Yearly maintenance should be performed at the end of the burning season. Leaving ash and other build-up in the stove during the non-heating months can lead to premature metal degradation in the stove and venting system. Using extra attention to detail and being certain to be very thorough in the end of season cleaning will help increase the operating life of the stove and venting system.

Soot and Fly Ash: Formation and Need for Removal

The products of combustion will contain small particles of fly ash. The fly ash will collect in the exhaust venting system and restrict the flow of the flue gases. Incomplete combustion, such as that which occurs during startup, shutdown or incorrect operation of the room heater will lead to some soot formation which will collect in the exhaust venting system. The exhaust venting system should be inspected at least once every year to determine if cleaning is necessary.

Caution – Shock Hazard

Press the “Off” button and let the appliance completely cool **BEFORE** unplugging the appliance and beginning any maintenance or component replacement.

Risk of shock if appliance is not unplugged before service.

YEARLY MAINTENANCE

Exhaust Blower Cleaning

Although the exhaust blower and blower housing were designed to minimize ash build-up, some fly-ash will still accumulate there throughout the burning season. The amount and type of ash will depend on the type of pellets and venting system, but generally this accumulation will be mild. If, when cleaning the exhaust blower, a large accumulation of fly-ash is found, cleaning the exhaust blower and housing should be performed monthly or bimonthly to prevent this excess buildup.

Instructions

- Before beginning the exhaust blower cleaning procedure, be certain the unit is unplugged and thoroughly cooled down.
- Loosen and remove the 5/16" screw which secures the exhaust blower access door to the unit.
- Once the door is open, the exhaust blower will be clearly visible.
- Disconnect the venting system from the exhaust blower just enough that you will be able to remove the exhaust blower from the stove.
- Unplug the two wires which connect the stove wiring harness to the exhaust blower using the quick connect plugs.
- Loosen and remove the 5/16" screw, on the top of the exhaust blower output connection, which holds the thermal sensor to the exhaust blower.
- Loosen the five (5) 5/16" self-drilling screws which hold the exhaust blower to the exhaust blower tube; a 12" socket extension will likely be necessary to reach all of the screws.
- Lift the exhaust blower up and out of the stove. The gasket which seals the exhaust blower to the exhaust blower tube is fragile, so take extra care when removing the blower. Even when being careful, though, it is easy to tear this fragile gasket, and since an airtight seal is crucial here, it is best to replace this gasket (Part # - PU-CBG) every time the exhaust blower is removed.
- With the exhaust blower removed, use a utility vacuum to remove any ash accumulation in the exhaust blower tube.
- Use a soft paint brush and carefully remove any ash accumulation from the inside of the exhaust blower, and from the exhaust blower fan blade.
- Inspect the exhaust blower motor for dust accumulation and carefully remove it, ensuring that all air cooling holes into the motor are open and free of dust deposits.
- Install the blower in the reverse order as described above. Remember to check the condition of the exhaust blower gasket AND remember to reconnect the thermal sensor to the top of the exhaust blower outlet before reinstalling the side panel.

YEARLY MAINTENANCE

Convection Blower Cleaning

As always, be certain the stove is cool and **unplugged** before servicing any components within the unit. Since the convection blower does not handle any by-products of combustion, it does not require serious cleaning like the exhaust blower. However, dust from the home and other debris in the air can accumulate on the blades of the convection blower. The convection blower is located on the side of the stove opposite the combustion blower, and an access panel on the stove is located for easy convection blower cleaning. Any dust that has built up on the fan blades can usually be easily removed with a vacuum or a soft paint brush.

Cleaning Pellet Fines from the Hopper and Auger

Depending on the type and quality of pellets burned in the stove, some accumulation of pellet fines and dust is possible in the hopper. The lowest part of the auger, near the back of the stove, is where most fines will accumulate. With the stove off, **unplugged**, completely cool and with the hopper empty, use a utility vacuum to remove the fines from the auger tube. If the fines cannot be removed from the top of the hopper:

- Remove the back panel by first removing the three screws which secure the exhaust outlet cover plate. Next, loosen the four stove back retaining screws and lift the back up and off of the unit.
- Locate the auger motor assembly at the middle rear of the stove, and once it is found, find the two set screws on either side of the cast iron mounting collar.
- Using a 3/16" allen wrench, loosen the set screw on either side of the auger mounting collar.
- With a utility vacuum in hand, let the auger assembly slide out of the auger tube just enough so that the vacuum can be used to remove any fines from this area.
- Reinstall the auger assembly and tighten the two set screws; reinstall the back panel and the exhaust outlet cover plate, being certain to tighten the seven (7) retaining screws on the rear of the stove.

Checking Gaskets

An airtight seal at the door openings and hopper lid opening is crucial to proper stove performance. Any air leaks at these areas can not only cause a dirty, inefficient burn but can also pose a serious safety threat. Because of this, gaskets should always be maintained in good condition and should be replaced annually, or sooner if necessary. Gasket tightness can be checked using the "dollar-bill" method:

- Place a dollar bill between the gasket and the stove body (at the location where the gasket meets the stove).
- Tighten the latching mechanism down and attempt to pull the dollar bill out. If the dollar bill slides in and out easily, the gasket needs to be replaced. This test should be repeated around the entire gasket perimeter, as gaskets will sometimes seal tightly on one side, but will be worn and seal poorly on another side.

Trouble-Shooting Guide

WARNING: To avoid **ELECTRICAL SHOCK** always *disconnect* the unit from the power source **BEFORE** attempting any repair. If this guide does not correct the problem, call your local dealer or Technical Support at 1-800-245-6489.

<u>Problem</u>	<u>Cause</u>	<u>Solution</u>
Auger not turning	<ol style="list-style-type: none"> 1. Bad auger motor. 2. Foreign matter jamming auger. 3. Vacuum sensor. 	<ol style="list-style-type: none"> 1. Replace auger motor. 2. Remove pellets and object. 3. Check exhaust blower.
Smoke smell or dust in house	<ol style="list-style-type: none"> 1. Improper exhaust connection. 	<ol style="list-style-type: none"> 1. Check exhaust connections for leaks, especially the exhaust blower connect. Seal leaks with silicone, aluminum tape or a hose clamp.
Room blower not operating	<ol style="list-style-type: none"> 1. Loose thermal sensor. 2. Blower speed set higher than heat range, causing stove to cool and blower to cycle. 3. Loose connection. 	<ol style="list-style-type: none"> 1. Tighten connection on sensor. 2. Lower blower speed. 3. Check control board connection.
Exhaust blower not operating	<ol style="list-style-type: none"> 1. Loose connection. 2. Bad blower. 3. Bad vacuum sensor. 	<ol style="list-style-type: none"> 1. Check control board connection. 2. Replace blower. 3. Replace vacuum sensor.
Lazy Fire	<ol style="list-style-type: none"> 1. Bad exhaust blower. 2. Excessive pellet moisture. 3. Excessive ash build-up. 4. Low quality pellets. 	<ol style="list-style-type: none"> 1. Inspect and replace blower. 2. Keep pellets dry. 3. Thoroughly clean unit. 4. Use only PFI premium pellets.
Blown Fuse	<ol style="list-style-type: none"> 1. Power surge. 2. Exposed wire. 3. Electrical component shorting. 	<ol style="list-style-type: none"> 1. Replace fuse; use surge protector. 2. Check for exposed or frayed wire and loose connections. 3. Check motors and blowers for obstructions or short circuits.
High Pellet Consumption	<ol style="list-style-type: none"> 1. Low quality or non-uniformly sized pellets. 	<ol style="list-style-type: none"> 1. Use premium pellets or try another pellet brand.
Squeaking Noise	<ol style="list-style-type: none"> 1. Obstruction in auger tube. 2. Blower Noise. 	<ol style="list-style-type: none"> 1. Check auger tube for foreign objects. 2. Remove, clean, and oil blower.
Pinging or Rattling Noise	<ol style="list-style-type: none"> 1. Foreign material in blower. 	<ol style="list-style-type: none"> 1. Check both blowers for material.

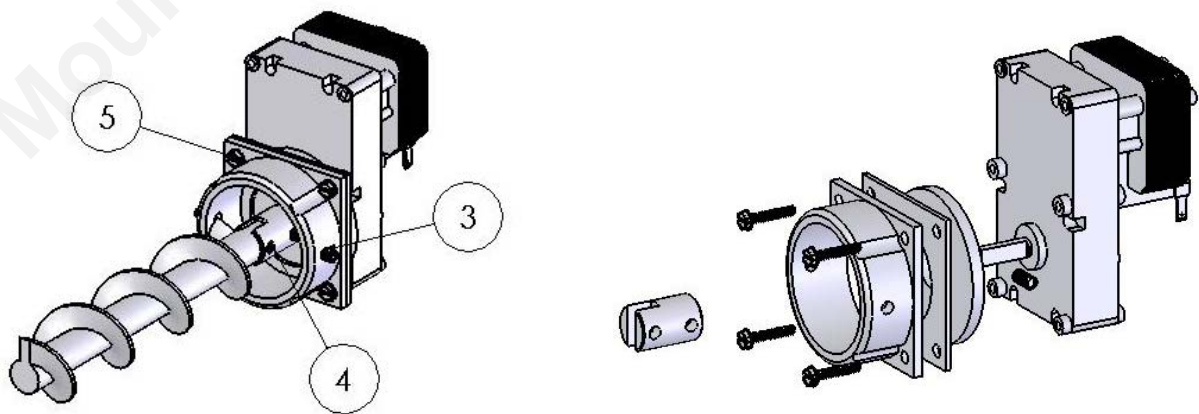
IMPORTANT! READ AND FOLLOW **ALL** INSTALLATION AND MAINTENANCE INSTRUCTIONS, INCLUDING CLEANING THE UNIT AS SPECIFIED, AND REPLACING GASKETS ANNUALLY, AND PARTS AS NEEDED. ENGLAND'S STOVE WORKS IS NOT RESPONSIBLE FOR ANY DAMAGE OR INJURY INCURRED DUE TO NEGLIGENCE, OR DUE TO UNSAFE INSTALLATION OR USAGE OF THIS PRODUCT. CALL TECHNICAL SUPPORT WITH QUESTIONS.

	2. Loose exhaust fan set screw.	2. Check set screw for tightness.
"E-1" Code On Control Board	1. Vacuum bypass chip missing.	1. Contact Technical Support.
Unit Shuts Down in 15-20 minutes with an "E-2" code on control board.	1. Loose thermal sensor. 2. Control board settings. 3. Failure to light pellets.	1. Check both sides of thermal sensor connection (exhaust blower and control board). 2. Start stove on minimum Heat Range 5 to ensure a good fire is started. 3. Check igniter for buildup or failure.
"E-3" Code on Control Board (Overfire)	1. Convection (Room Air) blower failure. 2. Partially blocked flue. 3. Using fuel other than premium wood pellets.	1. Check convection blower for proper function, replace if necessary. 2. Check flue for obstructions. 3. Use ONLY premium wood pellets in this stove.
"E-4" Code on Control Board (Proof of flame lost)	1. The hopper is empty. 2. The hopper lid was left open too long during refueling. 3. Component failure. 4. Blower speed is set too high, cooling firebox too rapidly.	1. Refill the hopper with pellets and restart the stove. 2. Keep the hopper lid open for the shortest interval possible when refueling. The safety switch stops the auger when the hopper lid is open. 3. An auger motor failure or combustion motor failure can sometimes result in an "E-4" code. 4. Operate the stove with the blower speed and heat range at the same value.
<p>Notes:</p> <p>1. Whenever instructed to check/replace the vacuum sensor, also check for loose or cracked vacuum hose. Also, be certain the vacuum measurement port in the firebox is kept clean (clean with a pipe cleaner or brush, do not use a vacuum to clean).</p> <p>2. To restart and clear an error code displayed on the control board, push the "ON" button and the unit should reset the error and restart.</p> <p>3. If you are uncertain about the meaning of an error code or have any questions at all, PLEASE contact Technical Support at (800)245-6489.</p>		

REPLACING COMPONENTS

Auger Motor

1. Before beginning any component replacement, be certain the unit is unplugged and thoroughly cooled down. Also, make sure the hopper is empty before attempting to remove or replace the auger motor assembly.
2. Remove the back panel of the unit; before loosening any bolts, detach the wiring harness from the auger motor.
3. Locate the auger motor assembly at the rear of the stove, and begin by loosening the two allen set screws on either side of the cast iron auger motor coupler.
4. Slide the auger assembly out of the tube.
5. Next, remove the four screws which hold the cast iron auger motor coupler to the auger motor, using a 5/16" wrench. Slide the cast iron auger motor coupler and the steel spacer plate off of the auger motor.
6. Loosen the allen set screw which holds the steel auger coupler to the auger motor output shaft, and remove the steel auger coupler, as well as the rubber vibration dampener.
7. Reinstall the parts in reverse order on the new auger motor, being careful not to over-tighten the bolts which hold the cast iron auger coupler to the auger motor.

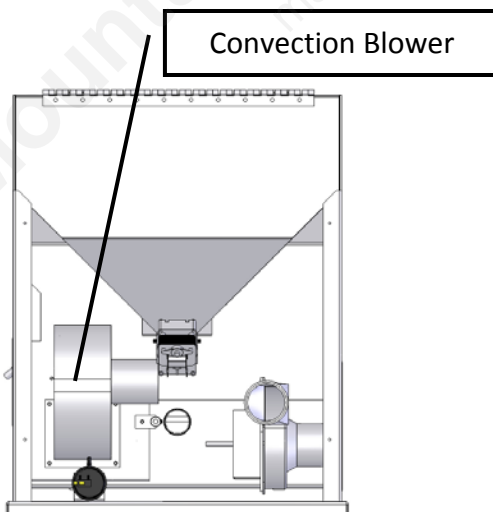


IMPORTANT! READ AND FOLLOW ALL INSTALLATION AND MAINTENANCE INSTRUCTIONS, INCLUDING CLEANING THE UNIT AS SPECIFIED, AND REPLACING GASKETS ANNUALLY, AND PARTS AS NEEDED. ENGLAND'S STOVE WORKS IS NOT RESPONSIBLE FOR ANY DAMAGE OR INJURY INCURRED DUE TO NEGLIGENCE, OR DUE TO UNSAFE INSTALLATION OR USAGE OF THIS PRODUCT. CALL TECHNICAL SUPPORT WITH QUESTIONS.

REPLACING COMPONENTS

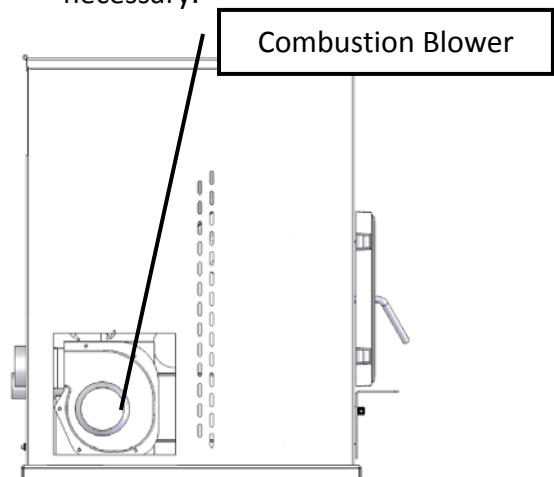
Convection Blower

1. Before beginning any component replacement, be certain the unit is unplugged and thoroughly cooled down.
2. Remove the back exhaust outlet cover plate and back panel from the unit.
3. Detach the convection blower from the wiring harness before loosening the four screws which secure it to the convection shroud of the stove.
4. After loosening and removing the four screws which hold the blower to the stove, remove the blower from the stove.
5. Installation of the new blower is performed in reverse of removal; remember to reconnect the new blower to the wiring harness.



Combustion Blower

1. Before beginning any component replacement, be certain the unit is unplugged and thoroughly cooled down.
2. Remove the 5/16" screw which holds the exhaust blower access door to the stove.
3. Disconnect the venting system from the exhaust blower, and disconnect the exhaust blower from the stove wiring harness. Remove the thermal sensor screw on the top of the exhaust blower outlet using a 5/16" wrench.
4. Remove all five screws which hold the exhaust blower to the exhaust blower tube. Once the screws have been removed, the blower can be lifted up and out of the stove.
5. Reinstallation is the exact opposite of the steps above; however be certain to check the condition of the exhaust blower gasket and replace if necessary.



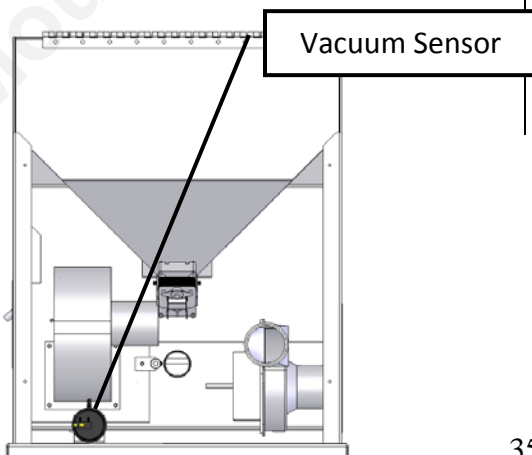
IMPORTANT! READ AND FOLLOW ALL INSTALLATION AND MAINTENANCE INSTRUCTIONS, INCLUDING CLEANING THE UNIT AS SPECIFIED, AND REPLACING GASKETS ANNUALLY, AND PARTS AS NEEDED. ENGLAND'S STOVE WORKS IS NOT RESPONSIBLE FOR ANY DAMAGE OR INJURY INCURRED DUE TO NEGLIGENCE, OR DUE TO UNSAFE INSTALLATION OR USAGE OF THIS PRODUCT. CALL TECHNICAL SUPPORT WITH QUESTIONS.

REPLACING COMPONENTS

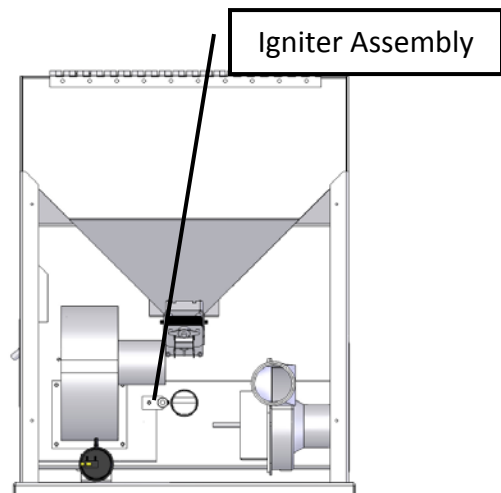
Igniter

Vacuum Sensor

1. Before beginning any component replacement, be certain the unit is unplugged and thoroughly cooled down.
2. Remove the exhaust outlet cover plate and rear panel of unit.
3. Locate the vacuum sensor as shown in the diagram below.
4. Disconnect the stove wiring harness and vacuum hose from the vacuum sensor, taking note of where connections were made.
5. Remove the two screws which hold the vacuum sensor to the vacuum sensor bracket, using a Phillips screw driver.
6. Installation is the reverse of removal; be absolutely certain the wires and vacuum hose are connected according to the wiring diagram in this manual.



1. Before beginning any component replacement, be certain the unit is unplugged and thoroughly cooled down.
2. Remove the exhaust outlet cover plate and rear panel of unit.
3. Locate the igniter as shown in the diagram below.
4. Disconnect the igniter wiring from the control board and use a 5/16" wrench to remove the igniter retaining screw.
5. Loosen the allen set screw (1/8" allen wrench) and remove the old igniter cartridge.
6. Install the new igniter in the igniter tube, retighten the set screw and reinstall the assembly into the stove. Be certain to reconnect the new igniter wires to the circuit board before reassembly.



35

IMPORTANT! READ AND FOLLOW ALL INSTALLATION AND MAINTENANCE INSTRUCTIONS, INCLUDING CLEANING THE UNIT AS SPECIFIED, AND REPLACING GASKETS ANNUALLY, AND PARTS AS NEEDED. ENGLAND'S STOVE WORKS IS NOT RESPONSIBLE FOR ANY DAMAGE OR INJURY INCURRED DUE TO NEGLIGENCE, OR DUE TO UNSAFE INSTALLATION OR USAGE OF THIS PRODUCT. CALL TECHNICAL SUPPORT WITH QUESTIONS.

REPLACING COMPONENTS

IMPROPER GASKET MAINTENANCE, INCLUDING FAILURE TO REPLACE GASKETS, CAN CAUSE AIR LEAKS RESULTING IN SMOKE-BACKS.

Gaskets

1. Door

- This unit comes with a $\frac{5}{8}$ " rope gasket around the door that should be replaced annually. To replace the door gasket (Part # AC-DGKNC), the old gasket must first be removed entirely — prior to adding the new adhesive, you may have to scrape the old cement from the door channel. Once the cement and gasket have been added, the door should be closed and latched for twenty-four hours to allow the cement to harden.

2. Window

- If you are replacing the window gasket (Part # AC-GGK), the new gasket will already have adhesive on one side. Remove the paper on the adhesive side and place the gasket around the outside edge of the glass, centered over the edge. Fold the gasket edges over on the glass, forming a "U" shape.

3. Combustion Blower

- The Combustion Blower Gasket (Part # PU-CBG) should be inspected whenever you remove or clean the Combustion Blower and replaced if necessary.

4. Combustion Blower Motor

- The combustion blower motor gasket (Part # PU-CMG) generally does not need replacement, as it not normally removed from the unit. However, if the exhaust blower is cleaned by removing the motor, rather than the entire blower assembly, this gasket must be inspected and replaced as necessary.

5. In addition, the Hopper Lid gasket and Ash Pan gasket should be inspected and replaced annually, or sooner if necessary (see "Checking Gaskets" in the Yearly Maintenance section).

Finish

This new unit has been painted with High-Temperature Paint that should retain its original look for years. If the unit should get wet and rust spots appear, the spots can be sanded with fine steel wool and repainted. It is crucial that only High-Temperature Spray Paint is used (Part # AC-MBSP), as others may not adhere to the surface or withstand the high temperatures. Similarly, some brands of paint will not adhere to different brands of paint, so we highly recommend using our proprietary High-Temperature Spray Paint.

REPLACING COMPONENTS

Glass

This unit has one ceramic glass panel (Part No. AC-G17) in the viewing door; self adhesive window gasket is included with replacement windows purchased directly from England's Stove Works. Never replace ceramic glass with tempered or any other type of glass and never operate this unit with cracked or broken glass.

Ceramic Glass Specifications

- Glass Size: 16.50" x 9.25"
- Glass Type: 5mm Ceramic Glass (Keralite Pyroceram)
- Glass Manufacturer: Eurokera

Glass Precautions

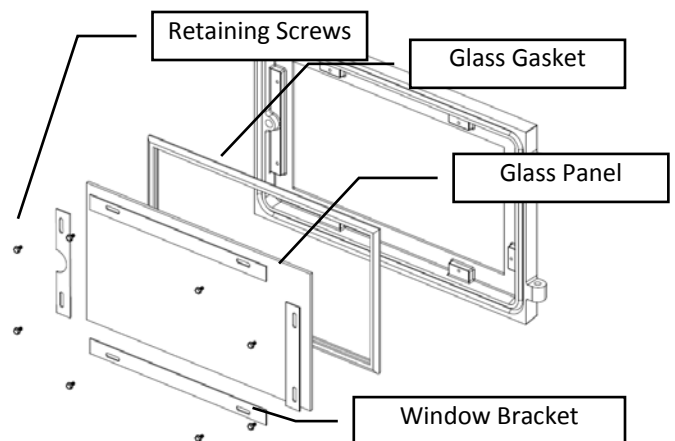
1. Never replace ceramic glass with tempered or any other type of glass.
2. Never operate this unit with cracked or broken glass.
3. Do not slam the door or strike the glass with any objects.

Glass Cleaning

1. Be certain the stove **and** the glass are completely cool.
2. The build-up on the glass will generally be light and water is normally sufficient to remove the deposits. If stubborn soot persists, use a cleaner made specifically for this purpose. Do not scrape the glass or use abrasive cleaners.
3. Rinse the glass with clean water and dry the glass before resuming normal operation.

Glass Replacement

1. Remove the door from the stove and rest it face down on a firm work surface.
2. Using a 5/16" wrench, remove the eight (8) window bracket retaining screws.
3. Remove the four (4) window brackets from the door. Take extra care to avoid shards of glass if the glass window has been broken.
4. Lift the old glass panel out of the door and discard.
5. The new glass panel must be wrapped with a self-adhesive fiberglass tape gasket (PU-GGK). This gasket serves to cushion the glass from the cast iron door.
6. Reinstall the window retaining brackets using the eight (8) screws previously removed. Do not over-tighten the screws.



IMPORTANT! READ AND FOLLOW ALL INSTALLATION AND MAINTENANCE INSTRUCTIONS, INCLUDING CLEANING THE UNIT AS SPECIFIED, AND REPLACING GASKETS ANNUALLY, AND PARTS AS NEEDED. ENGLAND'S STOVE WORKS IS NOT RESPONSIBLE FOR ANY DAMAGE OR INJURY INCURRED DUE TO NEGLIGENCE, OR DUE TO UNSAFE INSTALLATION OR USAGE OF THIS PRODUCT. CALL TECHNICAL SUPPORT WITH QUESTIONS.

REPLACING COMPONENTS

Control Board

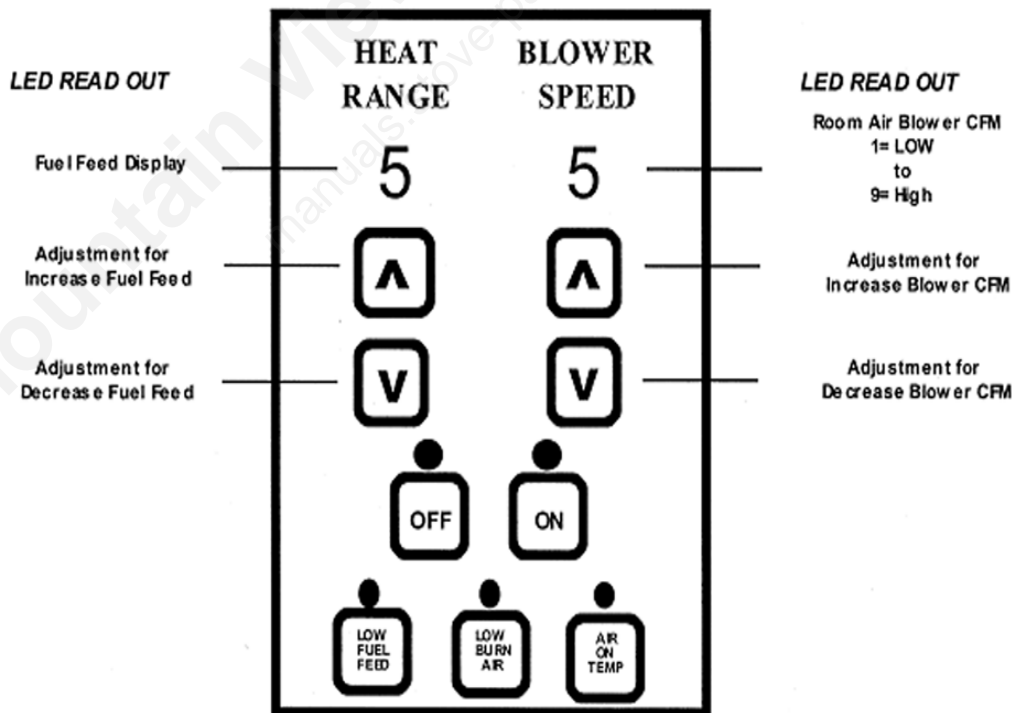
The Control Board (Part # PAH-CB09) is a digital read-out board. This board offers a wide variety of settings to operate the unit. The right side panel should be removed prior to removing the control board. The control board can be removed from the unit by loosening the two outside screws and pulling the board back to the inside of the stove. A 6-amp “quick-blow” fuse is used on this Control Board.

NOTE: The bottom three control buttons are preset at the factory and are not user adjustable. See the “Daily Operation” section on page 17 of the manual for more instructions on Control Board settings.

Recommended Heat Ranges:

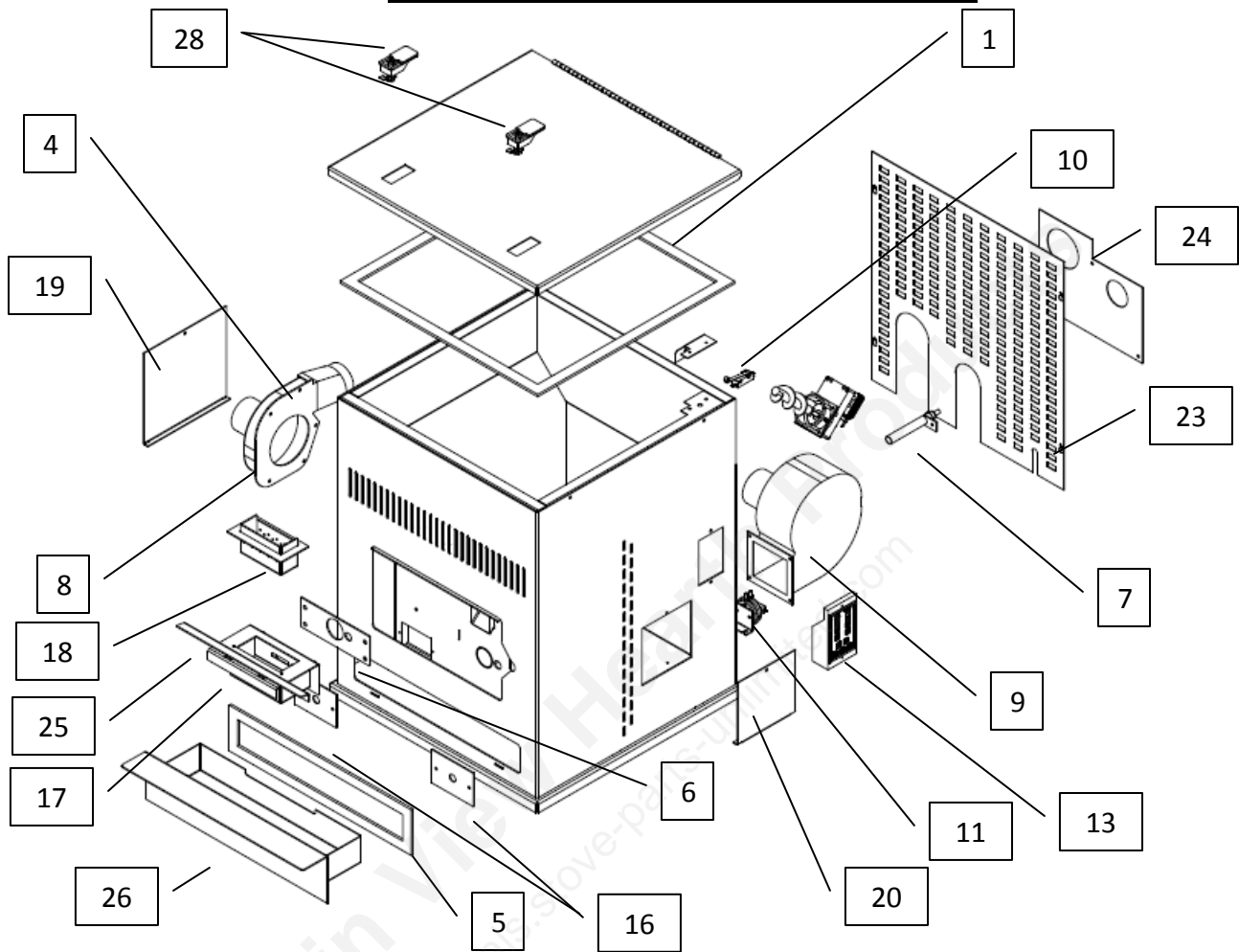
Low Burn:	Heat Range setting: 1	Room Air Blower setting: 1
Medium Low:	Heat Range setting: 2 – 3	Room Air Blower setting: *
Medium High:	Heat Range setting: 4 – 8	Room Air Blower setting: *
High Burn:	Heat Range setting: 9	Room Air Blower setting: 9

* NOTE: Blower Speed will automatically be adjusted to the desired Heat Range that you select.

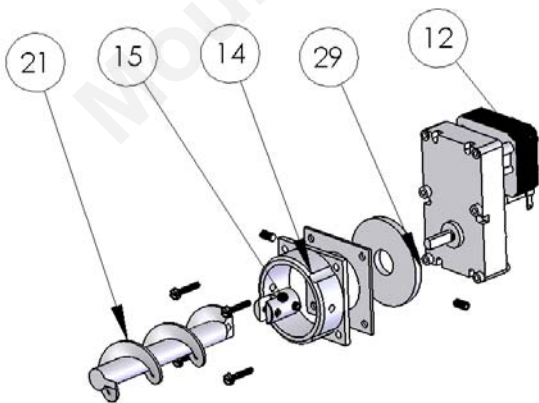


IMPORTANT! READ AND FOLLOW ALL INSTALLATION AND MAINTENANCE INSTRUCTIONS, INCLUDING CLEANING THE UNIT AS SPECIFIED, AND REPLACING GASKETS ANNUALLY, AND PARTS AS NEEDED. ENGLAND'S STOVE WORKS IS NOT RESPONSIBLE FOR ANY DAMAGE OR INJURY INCURRED DUE TO NEGLIGENCE, OR DUE TO UNSAFE INSTALLATION OR USAGE OF THIS PRODUCT. CALL TECHNICAL SUPPORT WITH QUESTIONS.

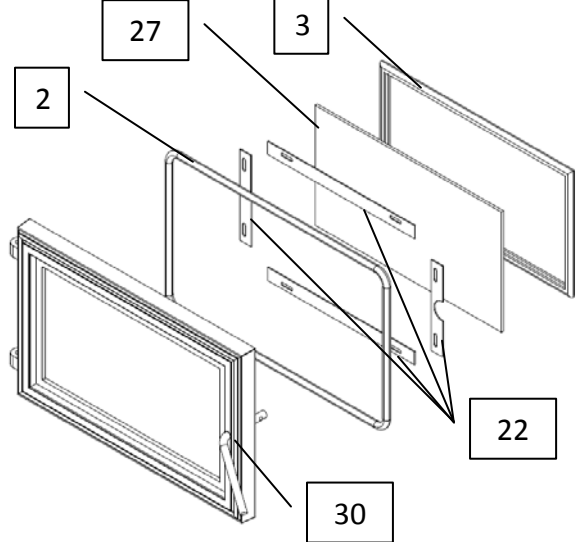
ILLUSTRATED PARTS DIAGRAM



Auger Motor Assembly



Door Assembly



IMPORTANT! READ AND FOLLOW ALL INSTALLATION AND MAINTENANCE INSTRUCTIONS, INCLUDING CLEANING THE UNIT AS SPECIFIED, AND REPLACING GASKETS ANNUALLY, AND PARTS AS NEEDED. ENGLAND'S STOVE WORKS IS NOT RESPONSIBLE FOR ANY DAMAGE OR INJURY INCURRED DUE TO NEGLIGENCE, OR DUE TO UNSAFE INSTALLATION OR USAGE OF THIS PRODUCT. CALL TECHNICAL SUPPORT WITH QUESTIONS.

REPLACEMENT PARTS LIST

Part Number	Part Description	Diagram #
Gaskets		
PU-HLG	Hopper Lid Gasket	1
AC-DGKNC	5/8" Door Gasket	2
AC-GGK	Window Gasket Kit	3
PU-CBG	Exhaust Blower Gasket	4
AC-GGK	Ash Pan Gasket	5
PU-CGEP	Cradle Mating Gasket	6
Electrical Components		
PU-CHA	Igniter Cartridge Heater	7
PU-076002B	Exhaust Blower	8
PU-4C447	Room Air Blower	9
AC-HLSB	Hopper Lid Switch	10
CU-VS	.05" of WC Vacuum Sensor	11
CU-047042	2 RPM Auger Motor	12
PAH-CB09	Control Board	13
Cast Iron		
CA-AMPP	Cast Iron Auger Motor Collar	14
CA-13	Cast Iron Door	30
Steel		
CA-AC	Steel Auger Coupler	15
PAH-ECC	Exhaust Cleanout Covers	16
PAH-BPC	Cradle	17
PAH-BP	Burnpot	18
PAH-EBAD	Combustion Blower Access Door	19
PAH-BAD	Convection Blower Access Door	20
PU-AFEP	Steel Auger	21
AC-GS13	Glass Support Brackets	22
PAH-RAP	Rear Access Panel	23
PAH-ECP	Exhaust Outlet Cover Plate	24
PAH-AWB	Airwash Bar	25
PAH-AP	Ash Pan	26
Glass	AC-G17 Window Glass	27
Misc		
PU-62-40-151-3	Hopper Lid Latch	28
PU-VH	High Temp. Vacuum Hose	Not Shown
CU-RG	Rubber Vibration Dampener	29
AC-SHN	Nickel Spring Handle	Not Shown
AC-SH	Brass Spring Handle	Not Shown
PU-PGB52	Exhaust Tube Insulation Wrap (PDV)	Not Shown

IMPORTANT! READ AND FOLLOW **ALL** INSTALLATION AND MAINTENANCE INSTRUCTIONS, INCLUDING CLEANING THE UNIT AS SPECIFIED, AND REPLACING GASKETS ANNUALLY, AND PARTS AS NEEDED. ENGLAND'S STOVE WORKS IS NOT RESPONSIBLE FOR ANY DAMAGE OR INJURY INCURRED DUE TO NEGLIGENCE, OR DUE TO UNSAFE INSTALLATION OR USAGE OF THIS PRODUCT. CALL TECHNICAL SUPPORT WITH QUESTIONS.

PELLET FUEL BURNING ROOM HEATER
MODEL: 25-PAH, 55-SHPAH, 55-TRPAH

Tested & Listed By
O-TL
US
OMNI-Test Laboratories, Inc.
Report No. 428-S-01-2
Portland Oregon USA

SERIAL NO.
MFG. DATE

MFG. BY:
England's Stove Works, Inc.
P.O. Box 206
Monroe, VA 24574

TESTED TO: ASTM E1509-04, ULC S627-00 & ULC/ORD-C1482-M1990

ROOM HEATER, PELLET-FUEL BURNING TYPE; ALSO FOR USE IN MOBILE HOMES.

FOR USE WITH .25 IN. DIAMETER WOOD PELLET FUEL ONLY
INPUT RATING: 31,000 BTU/HR ELECTRICAL RATING: 120V, 60Hz, 3.8A
DO NOT REMOVE OR COVER THIS LABEL

- KEEP DOOR & HOPPER LID TIGHTLY CLOSED DURING OPERATION.
- UNIT MUST BE PLACED ON A NON-COMBUSTIBLE FLOOR PROTECTOR EXTENDING 6.0 IN. FROM THE FRONT OF THE UNIT, 6.0 IN. FROM THE SIDES OF THE UNIT AND 4.0 IN. FROM THE REAR, WITH AN R VALUE OF 0.2.
- CONTACT LOCAL BUILDING OR FIRE OFFICIALS ABOUT RESTRICTIONS & INSTALLATION INSPECTION IN YOUR AREA.
- INSTALL AND USE ONLY IN ACCORDANCE WITH THE MANUFACTURER'S INSTALLATION AND OPERATION INSTRUCTIONS.
- VENTING SYSTEM: 3.0 IN. MIN. TYPE L OR P PELLET VENT PIPE. INSTALL AT LEAST 3.0 IN. FROM A COMBUSTIBLE WALL OR CEILING.
- REFER TO LOCAL BUILDING CODE & MANUFACTURER'S INSTRUCTIONS FOR VENTING SYSTEM INFORMATION AND FOR PASSING A CHIMNEY OR CHIMNEY CONNECTOR THROUGH A COMBUSTIBLE WALL OR CEILING.
- INSPECT AND CLEAN EXHAUST VENTING SYSTEM FREQUENTLY.
- DO NOT CONNECT THIS UNIT TO A CHIMNEY FLUE SERVING ANOTHER APPLIANCE.
- THE POWER CORD MUST BE ROUTED AWAY FROM THE UNIT.
- SEE THE OWNER'S MANUAL FOR ADDITIONAL CLEARANCE INFORMATION.
- MEETS EPA PARTICULATE MATTER REQUIREMENTS FOR WOOD HEATERS BUILT AFTER JULY 1, 1990 UNDER EPA 40 CFR 60.533(H).

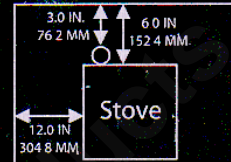
CAUTION: KEEP VIEWING AND ASH REMOVAL DOORS TIGHTLY CLOSED DURING OPERATION. SEE OWNER'S MANUAL FOR INSTRUCTIONS REGARDING HEAT OUTPUT CONTROLS. OPERATE THIS UNIT ONLY WITH THE FUEL HOPPER LID CLOSED. FAILURE TO DO SO MAY RESULT IN EMISSION OF PRODUCTS OF COMBUSTION FROM THE HOPPER UNDER CERTAIN CONDITIONS. MAINTAIN HOPPER SEAL IN GOOD CONDITION. DO NOT OVERFILL THE HOPPER.

PREVENT CREOSOTE FIRE: INSPECT CHIMNEY CONNECTION & CHIMNEY TWICE MONTHLY & CLEAN IF NECESSARY. DO NOT OVERFIRE: IF UNIT OR CHIMNEY GLOWS, YOU ARE OVERFIRING.



CAUTION: HOT WHILE IN OPERATION. DO NOT TOUCH. CONTACT MAY CAUSE SKIN BURNS. SEE DATA PLATE & INSTRUCTIONS. KEEP FURNISHINGS AND OTHER COMBUSTIBLES FAR AWAY FROM APPLIANCE.

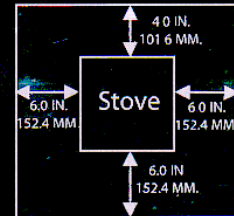
INSTALL WITH MINIMUM CLEARANCES TO WALLS AS SHOWN.



SIDEWALL - BACKWALL INSTALLATION



CORNER INSTALLATION



FLOOR PROTECTION

You may write your unit's Manufacture Date and Serial Number in the blank spaces on this sample tag, for future reference. This sample tag also shows the safety info. such as UL/ULC testing standard, etc. for your local officials, or anyone else who may need reference information.

IMPORTANT! READ AND FOLLOW ALL INSTALLATION AND MAINTENANCE INSTRUCTIONS, INCLUDING CLEANING THE UNIT AS SPECIFIED, AND REPLACING GASKETS ANNUALLY, AND PARTS AS NEEDED. ENGLAND'S STOVE WORKS IS NOT RESPONSIBLE FOR ANY DAMAGE OR INJURY INCURRED DUE TO NEGLIGENCE, OR DUE TO UNSAFE INSTALLATION OR USAGE OF THIS PRODUCT. CALL TECHNICAL SUPPORT WITH QUESTIONS.

LIMITED FIVE (5) YEAR WARRANTY

From the date of purchase to the original owner

The manufacturer extends the following warranties:

Five Year Period:

1. Carbon steel and welded seams in the firebox are covered for five (5) years against splitting.
2. The steel door and hinges are covered for five (5) years against cracking.

One Year Period:

1. Component parts such as the hopper, auger, burn-pot, auger shaft and fasteners are covered for one (1) year against cracking, breakage and welded seam separation.
2. Electrical components, accessory items, glass and the painted surface of the stove are covered for one (1) year from the date of purchase.

Conditions and Exclusions

1. Damage resulting from over-firing will void your warranty.
2. This warranty does not apply if damage occurs because of an accident, improper handling, improper installation, improper operation, abuse or unauthorized repair made or attempted to be made.
3. The manufacturer is not liable for indirect, incidental, or consequential damages in connection with the product including any cost or expense, providing substitute equipment or service during periods of malfunction or non-use.*
4. All liability for any consequential damage for breach of any written or implied warranty is disclaimed and excluded.

- Some states do not allow the exclusion of limitations of incidental or consequential damages, so the above may not apply to you.

Procedure

Purchaser must give notice of claim of defect within the warranty period and pay transportation to and from a service center designated by the manufacturer. The dealer from which the unit was purchased or the factory, at our option, will perform the warranty service.

Other Rights

This warranty gives you specific legal rights; you may also have other rights,

Please Note: This warranty is null and void if the attached warranty registration AND a copy of the sales receipt is not returned within thirty (30) days from the date of purchase.

Warranty is not transferable.

which may vary from state to state.

WARRANTY REGISTRATION for England's Stove Works®

Purchaser Information

I. Purchased By (Name) _____

II. Address _____

III. City _____ State _____ Zip Code _____

IV. Telephone Number _____

V. Email Address _____

Dealer Information

VI. Purchased From _____

VII. Address _____

VIII. City _____ State _____ Zip Code _____

Unit Information

IX. Model Number _____ Purchase Date _____

X. Purchase Price _____

XI. Serial Number _____ Mfg. Date _____

Purchase Questions

How did you first hear about our product? (Please check one)

Word of Mouth _____ Burn Trailer Demonstration _____ Internet _____

Other: _____

Where did you receive information about our product?

Via Telephone _____ Dealer (Name of dealer) _____ Internet _____

Other: _____

Important Notice

This registration information **MUST** be on file for this warranty to be valid. Please mail this information within thirty (30) days from the original date of purchase.

Use any of these three easy ways to send your warranty information in!

Mailing Address

England's Stove Works, Inc.
Technical support Department
P.O. Box 206
Monroe, Virginia 24574

Fax Number

(434) 929-4810 – Twenty-four hours a day.

Online Registration

Visit our warranty registration website at:

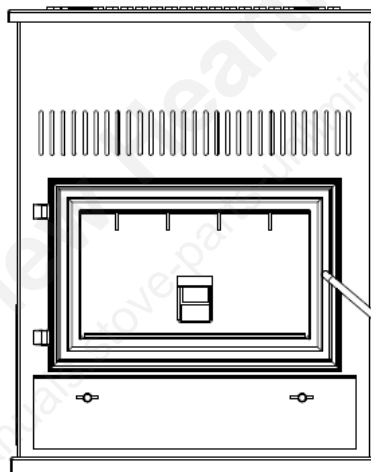
<http://www.englishstoves.com/warranty/warranty.html>

POÊLE AUXILIAIRE À GRANULES



MANUEL D'INSTALLATION ET D'UTILISATION 25-PAH/55-SHPAH/55-TRPAH

REV. 8/21/2012



Fabriqué par :
England's Stove Works, Inc.
P.O. Box 206
Monroe, VA 24574

Pour un service en Francais – Courriel:
infoenfrancais@englanderstoves.com
Telephone (514) 358-3385

MISE EN GARDE

Veuillez lire la totalité de ce mode d'emploi avant l'installation et l'utilisation de ce poêle à granules. Tenir les enfants, le mobilier, les accessoires et toutes les matières combustibles à l'écart de tout appareil de chauffage.

CONSIGNE DE SÉCURITÉ

Le non respect de ces directives pourrait entraîner des dommages matériels, des blessures corporelles et même la mort. Pour votre sécurité et votre protection, suivre toutes les directives d'installation. Communiquer avec le service local de la construction ou le service d'incendie relativement aux restrictions et aux exigences d'inspection de l'installation (y compris les permis) dans votre quartier.

CONSERVER CES DIRECTIVES.

IMPORTANT : SI VOUS AVEZ DES PROBLÈMES AVEC CET APPAREIL, NE PAS LE RETOURNER AU VENDEUR. COMMUNIQUER AVEC L'ASSISTANCE TECHNIQUE AU 1-800-245-6489.

Utilisation dans les maisons mobiles :

Ces appareils autonomes à granules sont approuvés pour les maisons mobiles ou une installation en double largeur avec raccordement de la combustion à l'air extérieur. Voir la section « Installation » de ce manuel pour les détails relatifs aux installations dans des maisons mobiles. Il faut faire l'installation dans une maison mobile en conformité avec la norme « Manufactured Home and Safety Standard (HUD), CFR 3280, partie 24 ».

AVERTISSEMENT :

- Il est obligatoire que cet appareil soit raccordé à l'air extérieur.
- Ne pas faire fonctionner cet appareil avec le couvercle de la trémie ouvert; le couvercle doit être fermé et bien

Note : England's Stove Works ne recommande pas les poêles à granules comme unique source de chaleur.

À conserver pour vos dossiers

Numéro de modèle _____

Date d'achat _____

Date de fabrication _____

Numéro de série _____

* Cette information se trouve sur l'étiquette de sécurité attachée sous le couvercle de la trémie. Avoir l'information en main lorsque vous téléphonez à l'usine ou à votre vendeur au sujet de ce produit.

IMPORTANT! Lisez et suivez TOUTES les instructions pour l'installation et l'entretien, notamment celles portant sur le nettoyage de l'appareil à effectuer selon les directives et celles portant sur le remplacement des joints (annuellement) et des pièces (au besoin). England's Stove Works n'est pas responsable des dommages ni des blessures, quels qu'ils soient, subis en raison de négligence ou à cause d'une installation ou utilisation dangereuse de ce produit. Pour toute question, communiquez avec le service de soutien technique.

TABLE DES MATIÈRES

Introduction

- Introduction 4

Spécifications

- Spécifications de chauffage 5
- Dimensions.....5
- Conformité à l'EPA 5

Installation

- Vue d'ensemble de l'installation . 6
- Espacements des matières combustibles 7
- Introduction à l'évacuation 8
- Directives relatives l'évacuation . 8
- Autre information sur l'évacuation ...9
- Degagements des terminations ..10
- Méthodes d'évacuation approuvées
 - À travers le mur 11
 - Par le plafond 12
 - Cheminée existante 13
- Installation dans une maison mobile 14
- Raccordement à l'air extérieur .. 15
- Protection du plancher 16

Utilisation quotidienne

- Avant de commencer 17
- Allumer un feu 17-18
- Réglages de tableau de commande 19
- Codes d'erreur 20
- Panne de courant..... 21
- Installation du thermostat 22
- Utilisation du thermostat 23
- Accessoires en option 23

Entretien

- Quotidien
 - Notes importantes 24

- Nettoyage quotidien des cendres 24-25
- Nettoyage de la chambre de combustion 25

- Mensuel
 - Notes importantes 26
 - Chambre d'évacuation . 26-27
 - Tuyau d'évacuation..... 27
- Annuel
 - Notes importantes 28
 - Ventilateur d'évacuation 29
 - Ventilateur de convection.. 30
 - Particules de la trémie ... 30
 - Examiner les joints 30

Guide de dépannage

- Dépannage 31-32

Remplacer des composants

- Moteur de la vis sans fin 33
- Ventilateur de convection 34
- Ventilateur de combustion 34
- Capteur d'aspiration 35
- Allumeur..... 35
- Joints d'étanchéité 36
- Fini..... 36
- Vitre..... 37
- Tableau de commande 38
- Schéma du câblage 39

Détail des pièces illustrées

- Vue éclatée des pièces..... 40
- Liste des pièces 41
- Plaque de securite42

Garantie

- Détails de la garantie 43-44
- GARANTIE Formulaire de la garantie 45-46

IMPORTANT! Lisez et suivez TOUTES les instructions pour l'installation et l'entretien, notamment celles portant sur le nettoyage de l'appareil à effectuer selon les directives et celles portant sur le remplacement des joints (annuellement) et des pièces (au besoin). England's Stove Works n'est pas responsable des dommages ni des blessures, quels qu'ils soient, subis en raison de négligence ou à cause d'une installation ou utilisation dangereuse de ce produit. Pour toute question, communiquez avec le service de soutien technique.

INTRODUCTION

Nous vous remercions d'avoir acheté cet excellent produit d'England's Stove Works!

England's Stove Works appartient toujours à la famille qui l'a établie et qui croit fortement à l'esprit « Faites-le vous-même » – une raison pour laquelle vous trouvez ce produit dans votre magasin « Faites-le vous-même » favori.

Nous concevons et fabriquons volontairement nos poêles afin qu'un propriétaire puisse entretenir son appareil avec des outils de base et nous sommes toujours heureux de vous montrer comment faire le travail aussi facilement et économiquement que possible. Cependant, bien que simples, nos poêles sont conçus pour fonctionner de façon très efficace en offrant plus de chaleur avec moins de combustible.

Veillez consulter notre large section d'aide sur notre site Web et appeler notre service d'assistance technique au (800) 245-6489 si vous avez besoin d'aide relativement à votre appareil. Nous sommes presque toujours capables de vous aider « à passer au travers » des problèmes d'installation, réparations, problèmes ou questions que vous pourriez avoir.

Nous vous souhaitons des années de chauffage efficace, de qualité et confortable.

TOUT LE MONDE TRAVAILLE À ENGLAND'S STOVE WORKS

Veillez prendre note : Si l'information obtenue sur notre site Web et grâce à notre ligne d'assistance technique est toujours gratuite, il y aura des frais pour toute réparation ou tout entretien « sur place » que nous pourrions effectuer.

Ce manuel comprend toutes les versions du 25-PAH, y compris les 55-SHPAH, 55-SPAH et 55-TRPAH. Cependant, pour la simplicité de la description, nous utiliserons la désignation générique de 25-PAH.

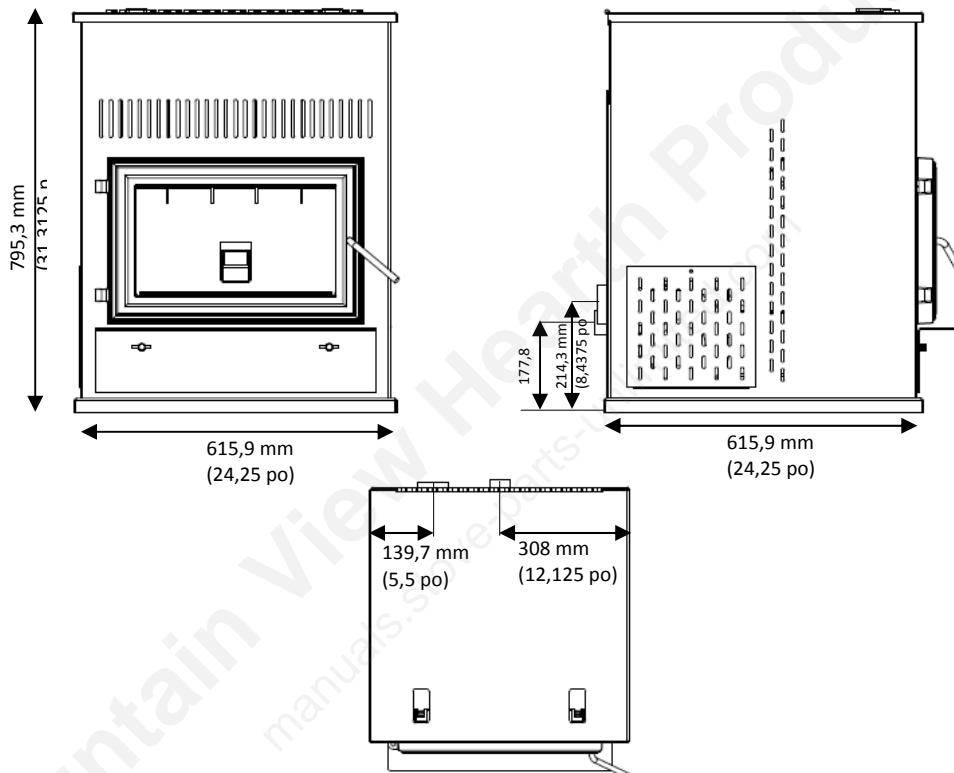
IMPORTANT! Lisez et suivez TOUTES les instructions pour l'installation et l'entretien, notamment celles portant sur le nettoyage de l'appareil à effectuer selon les directives et celles portant sur le remplacement des joints (annuellement) et des pièces (au besoin). England's Stove Works n'est pas responsable des dommages ni des blessures, quels qu'ils soient, subis en raison de négligence ou à cause d'une installation ou utilisation dangereuse de ce produit. Pour toute question, communiquez avec le service de soutien technique.

SPÉCIFICATIONS

Spécifications de chauffage

- Plage de rendement de chaleur** 11 000 BTU/h à 25 000 BTU/h
- Taux approximatif de combustion de granules** 0,725 kg/h (1,6 lb/h) à 1,875 kg/h (4 lb/h)
- Durée maximale de combustion** 72 heures
- Superficie approximative chauffée*** 75 à 185 m² (800 à 2000pi²)
- Capacité de la trémie 54,5 kg (120 lb)

Dimensions



L'EPA et les spécifications de conformité à la sécurité

- Conformité à l'EPA Homologué
- Émissions de particules 1,55 .. g/h
- Efficacité* 78%
- Testé à ASTM 1509 et ULC/ORD-C1482-M1990

* - Cet appareil n'a pas été testé pour l'efficacité; l'efficacité indiquée est une valeur par défaut normalement atteinte par des appareils à granules homologués semblables.

** - Le rendement de chaleur, le taux et la durée maximale de combustion dépendent fortement du type de granules brûlés dans le poêle; ces chiffres peuvent donc varier.

*** - La capacité maximale de chauffage de cet appareil peut varier grandement selon le climat, le type de construction, l'isolation et de nombreux autres facteurs. Utiliser cette information avec le calcul de perte en BTU de votre maison pour déterminer si cet appareil suffira à vos besoins.

IMPORTANT! Lisez et suivez TOUTES les instructions pour l'installation et l'entretien, notamment celles portant sur le nettoyage de l'appareil à effectuer selon les directives et celles portant sur le remplacement des joints (annuellement) et des pièces (au besoin). England's Stove Works n'est pas responsable des dommages ni des blessures, quels qu'ils soient, subis en raison de négligence ou à cause d'une installation ou utilisation dangereuse de ce produit. Pour toute question, communiquez avec le service de soutien technique.

INSTALLATION

Vue d'ensemble de l'installation

Lorsque vous choisissez un emplacement pour votre nouveau poêle, il faut tenir compte de nombreux facteurs avant l'installation.

1. Voies de circulation – Pour éviter des accidents, le poêle ne doit pas être installé dans un emplacement sur les voies de circulation normales dans la maison.
2. Débit de chaleur – Lors du choix de l'emplacement, tenir compte de la circulation de la chaleur dans la maison. Installer le poêle où vous avez besoin de chaleur; souvent, les installations en sous-sol ne permettent pas à la chaleur de monter aux étages supérieurs et une installation à l'étage ne permet pas à la chaleur de descendre aux étages inférieurs. La chaleur monte toujours et prend le chemin de moindre résistance lorsqu'elle est encore chaude.
3. Emplacement de l'évacuation – les murs extérieurs sont en général le meilleur endroit pour installer un poêle, en permettant l'installation facile de l'évacuation et de l'admission d'air (à l'aide de notre kit DuraVent AC-3000, AC-33000 si le Canada). S'il n'est pas possible d'installer le poêle contre un mur extérieur, des méthodes permettent l'évacuation pas le toit, mais elles coûtent plus cher, car il faut plus de tuyaux d'évent et l'installation de prise d'air extérieure est plus complexe.
4. Construction du mur – Choisir l'emplacement du poêle afin que le système d'évacuation passe entre les montants simplifiera l'installation et éliminera le besoin de refaire des sections de murs pour poser le manchon d'emboîtement.

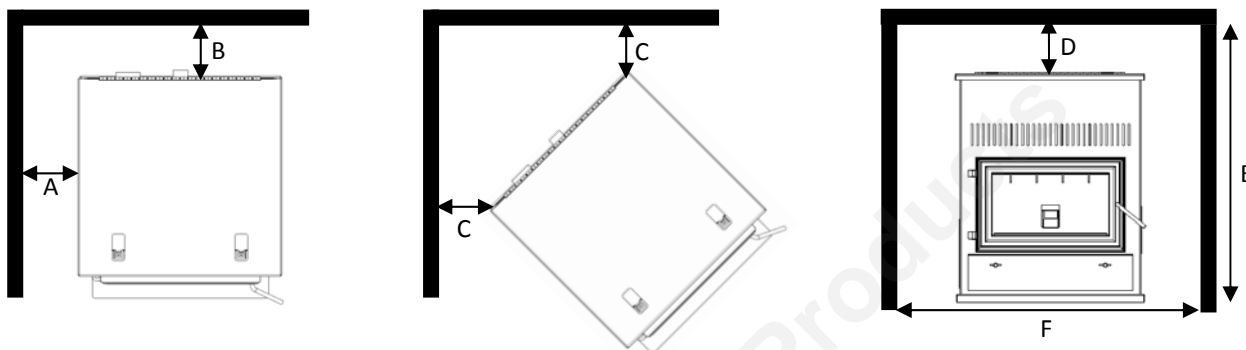
AVERTISSEMENT

- Ne pas entreposer ou utiliser d'essence ou autres vapeurs et liquides inflammables à proximité de cet appareil.
- Ne pas surchauffer – si des pièces extérieures commencent à luire, vous êtes en train de surchauffer. Réduire le taux d'alimentation. La surchauffe annulera votre garantie.
- Installer avec des espacements minimaux aux murs comme il est spécifié. Omettre de s'y conformer pour causer un incendie.
- Granules de bois testées **et approuvées uniquement**. Brûler un autre combustible annulera la garantie.

IMPORTANT! Lisez et suivez TOUTES les instructions pour l'installation et l'entretien, notamment celles portant sur le nettoyage de l'appareil à effectuer selon les directives et celles portant sur le remplacement des joints (annuellement) et des pièces (au besoin). England's Stove Works n'est pas responsable des dommages ni des blessures, quels qu'ils soient, subis en raison de négligence ou à cause d'une installation ou utilisation dangereuse de ce produit. Pour toute question, communiquez avec le service de soutien technique.

INSTALLATION

E spacements des matières combustibles



Appareil au mur latéral	Appareil au mur arrière	Appareil au coin	Sommet de l'appareil au plafond	Hauteur minimale du plafond	Largeur minimale de l'alcôve	Profondeur minimale de l'alcôve
A	B	C	D	E	F	Non illustré
12 po	6 po	6 po	28,5 po	60 po	48,25 po	24 po
304,8 mm	152,4 mm	152,4 mm	723,9 mm	1524 mm	1225,6 mm	609,6 mm

MISE EN GARDE

- Tenir les enfants à l'écart.
- Surveiller les enfants dans la même pièce que cet appareil.
- Prévenir les enfants et les adultes des dangers des températures élevées.
- NE PAS utiliser avec les protections ouvertes ou retirées.
- Tenir les vêtements, les meubles, les draperies et autres combustibles à l'écart.
- L'installation doit être conforme aux codes et règlements locaux, régionaux, étatiques et nationaux.
- Communiquer avec le service local de la construction, le service d'incendie ou les autorités ayant juridiction relativement aux restrictions, à l'inspection de

NE PAS RACCORDER À UN CONDUIT OU UN SYSTÈME DE DISTRIBUTION

IMPORTANT! Lisez et suivez TOUTES les instructions pour l'installation et l'entretien, notamment celles portant sur le nettoyage de l'appareil à effectuer selon les directives et celles portant sur le remplacement des joints (annuellement) et des pièces (au besoin). England's Stove Works n'est pas responsable des dommages ni des blessures, quels qu'ils soient, subis en raison de négligence ou à cause d'une installation ou utilisation dangereuse de ce produit. Pour toute question, communiquez avec le service de soutien technique.

INSTALLATION

Introduction à l'évacuation

Cet appareil dispose d'un système de tirage négatif qui tire l'air comburant à travers la chambre de combustion et pousse l'air vicié par le tuyau d'évent hors de l'habitation. Il faut installer cet appareil selon les descriptions détaillées suivantes des techniques d'évacuation; omettre de le faire peut entraîner un mauvais rendement du poêle, des dommages matériels, des blessures personnelles ou la mort. England's Stove Works n'est pas responsable de dommages causés par une mauvaise ou dangereuse installation

En cas de questions concernant l'installation sécuritaire du poêle, appeler notre assistance technique au (800-245-6489). Communiquer avec le service local de codes pour être sûr que votre installation respecte les codes locaux et nationaux ou si vous ne savez pas comment installer le poêle en toute sécurité. Nous vous recommandons fortement de communiquer avec un installateur local certifié NFI pour faire l'installation.

Directives relatives l'évacuation

- **TOUJOURS** installer le tuyau d'évent en se conformant aux instructions et espacements joints au système d'évacuation.
- **NE PAS** raccorder ce poêle à granules à un conduit de cheminée qui sert à un autre appareil.
- **NE PAS** installer un registre de tuyau de fumée ou un autre dispositif de restriction dans le système d'évacuation de cet appareil.
- **UTILISER** un manchon d'emboîtement mural homologué pour traverser un mur et un coupe-feu/support de plafond pour traverser un plafond.
- **UTILISER UNIQUEMENT** du tuyau de 3 po ou de 4 po de type L ou PL homologué pour l'évacuation d'un poêle à granules; **NE PAS** utiliser de tuyau galvanisé ou de tuyau d'évent « B ».
- **SCELLER** tous les joints d'étanchéité avec du silicone haute température (Pièce no AC-RTV3) pour éviter une dispersion de fumée dans la maison.
- **ÉVITER** de trop longues portées horizontales et de trop nombreux coudes, car les deux réduiront le tirage du système d'évacuation et le rendement du poêle.
- **INCLURE** autant de tuyau vertical que possible pour empêcher la fumée d'entrer dans la maison en cas de panne de courant.
- **INSPECTER** souvent votre système d'évacuation pour être sûr qu'il n'y a pas de cendres volantes ou autres obstacles.
- **NETTOYER** le réseau d'évacuation selon la section d'entretien de ce manuel.

AVERTISSEMENT

- INSTALLER LA VENTILATION AVEC LES ESPACEMENTS INDIQUÉS PAR LE FABRICANT.
- EXTRÊMEMENT CHAUD! Ne pas toucher! Il pourrait s'ensuivre de sévères brûlures ou l'inflammation de vêtements.

AVERTISSEMENT : Les surfaces du réseau d'évacuation deviennent CHAUDES et peuvent causer des brûlures. Il pourrait être nécessaire de placer des écrans ou des protecteurs non combustibles.

IMPORTANT! Lisez et suivez TOUTES les instructions pour l'installation et l'entretien, notamment celles portant sur le nettoyage de l'appareil à effectuer selon les directives et celles portant sur le remplacement des joints (annuellement) et des pièces (au besoin). England's Stove Works n'est pas responsable des dommages ni des blessures, quels qu'ils soient, subis en raison de négligence ou à cause d'une installation ou utilisation dangereuse de ce produit. Pour toute question, communiquez avec le service de soutien technique.

INSTALLATION

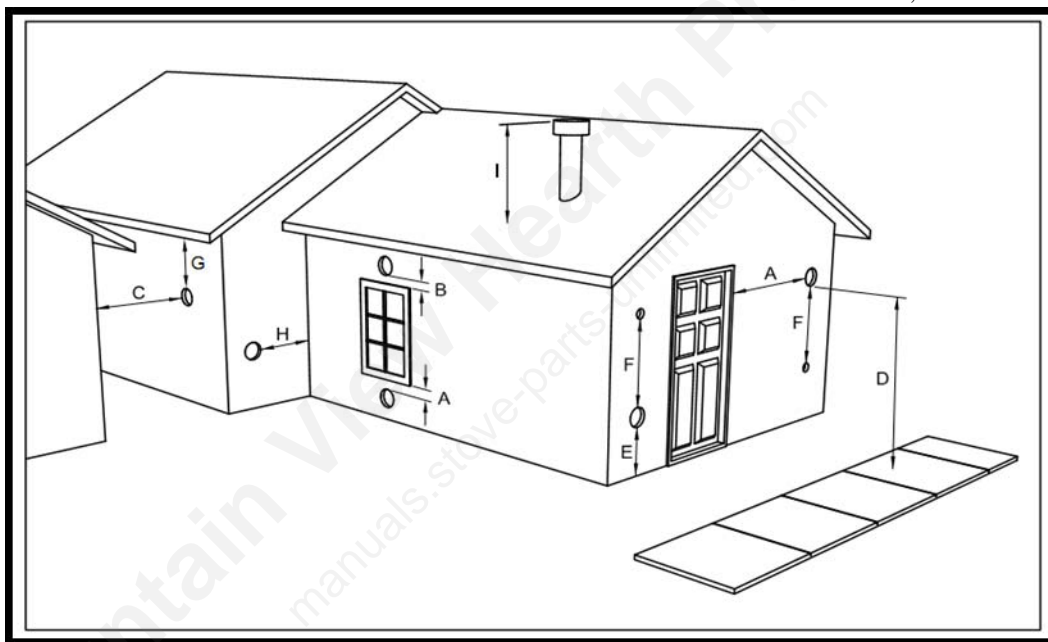
Autre information sur l'évacuation

- Ne pas mélanger et adapter des composants de différents fabricants de tuyaux lors du montage de votre système d'évacuation (c.-à-d. **NE PAS** utiliser le tuyau d'évacuation d'un fabricant et un manchon d'emboîtement d'un autre).
- Nous **exigeons** une élévation verticale minimale de 36 po. (914,4 mm) de tuyau pour créer un tirage naturel dans le réseau, qui évacuera la fumée en cas de panne de courant ou de panne du ventilateur de combustion.
- Du tuyau de 3 po peut suffire pour les systèmes d'évacuation de 15 pi (4,57 m); pour réduire les pertes dues à la friction, du tuyau de 4 po est obligatoire pour les systèmes de plus de 15 pi (4,57 mm).
- Ne pas terminer le système d'évacuation directement en dessous d'une structure combustible comme un porche ou une plateforme.
- Observer les règlements 211 de la NFPA 2ci-dessous pour l'emplacement des terminaisons du système d'évacuation relatif aux fenêtres et autres ouvertures de l'habitation.
 - NFPA 211 (éd.2006) Section 10.4 Terminaison : 10.4.5
(1) La sortie d'un système de tirage mécanique autre que celle d'un appareil à évacuation directe (poêle à combustion lente) doit être située conformément à ce qui suit :
 - À plus de 0,91 m (3 pi) au-dessus d'une entrée d'air forcé située dans les 3 m (10 pi).
 - À plus de 1,2 m (4 pi) sous ou horizontalement, ou à plus de 305 mm (1 pi) au-dessus, d'une porte, d'une fenêtre, ou d'une entrée d'air par gravité dans un bâtiment.
 - À plus de 0,61 m (2 pi) d'un bâtiment adjacent et à plus de 2,1 m (7 pi) au-dessus du niveau des trottoirs publics adjacents.
- La distance entre l'ouverture de la terminaison et le niveau de la surface extérieure doit être de plus de 24 po (0,61 cm). Lors du calcul de la hauteur de la terminaison au-dessus du niveau extérieur, tenir compte des bancs de neige et des combustibles comme des accumulations d'herbe ou de feuilles. Dans les régions où il y a d'importantes chutes de neige, la terminaison doit être à une hauteur suffisante pour être exempte d'accumulation de neige.
- Ne pas utiliser de méthodes improvisées ou installer des composants de l'appareil ou du système d'évacuation qui pourraient rendre l'installation dangereuse.
- Un raccord de cheminée ne doit pas traverser un grenier ou un comble, un placard ou un espace clos semblable, un plancher ou un plafond.
- Dans un passage à travers un mur ou une cloison de matériel combustible, l'installation doit être conforme à CAN/CSA-B365.

IMPORTANT! Lisez et suivez TOUTES les instructions pour l'installation et l'entretien, notamment celles portant sur le nettoyage de l'appareil à effectuer selon les directives et celles portant sur le remplacement des joints (annuellement) et des pièces (au besoin). England's Stove Works n'est pas responsable des dommages ni des blessures, quels qu'ils soient, subis en raison de négligence ou à cause d'une installation ou utilisation dangereuse de ce produit. Pour toute question, communiquez avec le service de soutien technique.

DÉGAGEMENTS DES TERMINAISONS DES ÉVÉNEMENTS

- A) DÉGAGEMENT D'AU MOINS 1,22 M EN DESSOUS OU SUR LE CÔTÉ DE TOUTE PORTE OU FENÊTRE POUVANT S'OUVRIR.
- B) DÉGAGEMENT D'AU MOINS 0,3 M AU-DESSUS DE TOUTE PORTE OU FENÊTRE POUVANT S'OUVRIR.
- C) DÉGAGEMENT D'AU MOINS 0,61 M DE TOUT BÂTIMENT VOISIN.
- D) DÉGAGEMENT D'AU MOINS 2,13 M À PARTIR DU NIVEAU DU SOL LORSQUE L'INSTALLATION JOUXTE LA VOIE PUBLIQUE.
- E) DÉGAGEMENT D'AU MOINS 0,61 M AU-DESSUS DES HERBES, DES PLANTES ET DE TOUT AUTRE MATÉRIAU COMBUSTIBLE.
- F) DÉGAGEMENT D'AU MOINS 0,91 M DE LA PRISE D'AIR PAR VENTILATION FORCÉE D'UN APPAREIL, QUEL QU'IL SOIT.
- G) DÉGAGEMENT D'AU MOINS 0,61 M EN DESSOUS DES AVANT-TOITS OU DES SAILLIES.
- H) DÉGAGEMENT D'AU MOINS 0,3 M DES MURS FAIT DE MATÉRIEAUX COMBUSTIBLES.
- I) LA TERMINAISON DOIT SE TROUVER À AU MOINS 91,44 CM AU-DESSUS DU TOIT ET À AU MOINS 60,96 CM AU-DESSUS DU POINT LE PLUS ÉLEVÉ DU TOIT DANS UN RAYON DE 3,05 M.



Notes sur les extrémités de tuyau de conduit pour poêle à granules (Consulter aussi le chapitre « SYSTÈME DE CONDUIT DE FUMÉE »):

1. À plus de 0,91 m (3 pi) au dessus d'une entrée d'air forcé situé dans les 3 m (10 pi).
2. À plus d'1,20 m (4 pi) sous ou horizontalement, ou à plus de 305 mm (1 pi) au dessus d'une porte, d'une fenêtre, ou d'une entrée d'air par gravité dans un bâtiment
3. À plus de 610 mm (2 pi) d'un bâtiment adjacent et à plus de 2,1 m (7 pi) au dessus du niveau des trottoirs publics adjacents

Il faut installer la sortie d'évacuation afin que les gaz ne soient pas dirigés de manière à déranger les gens, ne surchauffent pas de structures combustibles ou n'entrent pas dans des bâtiments. Il faut installer les systèmes à tirage forcé et toutes les pièces des systèmes à tirage induit sous pression positive pendant le fonctionnement pour qu'ils soient étanches aux gaz ou pour empêcher la fuite de produits de combustion dans un bâtiment. Les conduits à travers le mur ne doivent pas se terminer au dessus de trottoirs publics où là où le condensat ou la vapeur pourraient créer des risques ou une nuisance.

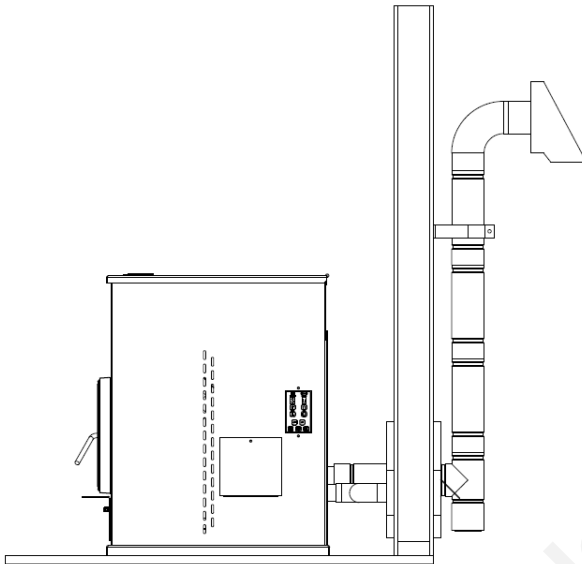
Veiller à suivre les codes locaux et toutes les directives du fabricant (y compris celles du tuyau d'évacuation). Consulter un installateur professionnel ou appeler le support technique si vous avez des questions.

IMPORTANT! Lisez et suivez TOUTES les instructions pour l'installation et l'entretien, notamment celles portant sur le nettoyage de l'appareil à effectuer selon les directives et celles portant sur le remplacement des joints (annuellement) et des pièces (au besoin). England's Stove Works n'est pas responsable des dommages ni des blessures, quels qu'ils soient, subis en raison de négligence ou à cause d'une installation ou utilisation dangereuse de ce produit. Pour toute question, communiquez avec le service de soutien technique.

INSTALLATION

Pour des installations situées à plus de 1200 m (4000 pi) au-dessus du niveau de la mer, l'évacuation doit être ventilée par un conduit pour poêles à granulés de 4 po (100 mm)

Méthode 1 approuvée pour l'évacuation : À travers le mur



espacements minimaux des matières combustibles.

- En général, la méthode la plus simple, installer l'évacuation à travers un mur à l'aide du kit AC-3000, AC-33000 si le Canada (ou système d'évacuation semblable), est aussi la préférée. Elle réduit la longueur de tuyau horizontal, permet d'installer le poêle près du mur et le té avec regard de nettoyage à l'extérieur de la maison, facilitant le nettoyage.
 - Lors de la pose de tout système d'évacuation, il faut utiliser des tuyaux de **type L** ou de **type PL** et respecter strictement tous les espacements des matières combustibles (indiqués par le fabricant de tuyaux).
 - Utiliser le manchon d'emboîtement mural approuvé par le fabricant pour traverser un mur combustible et respecter au moins les
- Utiliser un collet d'appareil là où l'évent se raccorde à la sortie du poêle et le fixer au ventilateur d'évacuation à l'aide de trois vis à tête.
 - Bien fixer l'évent à l'extérieur de la maison à l'aide d'un étrier mural juste en dessous du coude à 90 degrés.
 - Sceller tous les joints de tuyau avec silicone RTV haute température, pour être sûr que le système ne présente pas de fuites (Vérifier les instructions du fabricant du système d'évacuation particulier avant de procéder).
 - Si le tuyau d'évent n'est pas « à verrouillage par rotation », il faut poser trois (3) vis à tête à chaque joint.
 - Raccorder le poêle à granulés à l'air comburant extérieur à l'aide du kit fourni avec votre poêle ou en utilisant une autre méthode, comme le décrit la section « Air extérieur », à la page 14.
 - Ce type d'installation peut être modifiée pour un sous-sol (**il faut que les installations en sous-sol soient toujours effectuées par un installateur professionnel**) ou pour d'autres installations où le té et la section verticale de tuyau seraient dans la maison et le système d'évacuation passerait horizontalement par le manchon d'emboîtement mural et se terminerait.

Veillez prendre note :

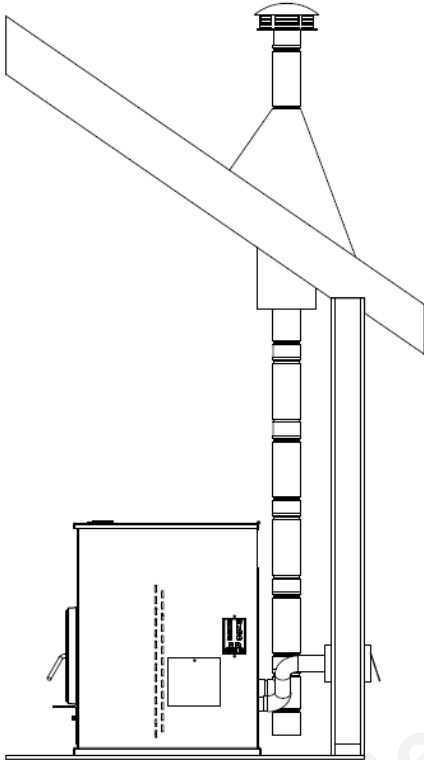
Les schémas d'installation ne servent que comme référence et ne sont pas à l'échelle, ce ne sont pas des plans d'installations individuelles. Veuillez observer toutes les exigences relatives au système d'évacuation, respecter les espacements requis pour les combustibles et suivre tous les codes locaux.

IMPORTANT! Lisez et suivez TOUTES les instructions pour l'installation et l'entretien, notamment celles portant sur le nettoyage de l'appareil à effectuer selon les directives et celles portant sur le remplacement des joints (annuellement) et des pièces (au besoin). England's Stove Works n'est pas responsable des dommages ni des blessures, quels qu'ils soient, subis en raison de négligence ou à cause d'une installation ou utilisation dangereuse de ce produit. Pour toute question, communiquez avec le service de soutien technique.

INSTALLATION

Pour des installations situées à plus de 1200 m (4000 pi) au-dessus du niveau de la mer, l'évacuation doit être ventilée par un conduit pour poêles à granulés de 4 po (100 mm)

Méthode 2 approuvée pour l'évacuation : À travers le plafond



- Dans certains cas, l'évacuation par le toit pourrait être la seule option possible et est une installation recommandée par l'usine.
- Lors de la pose de tout système d'évacuation, il faut utiliser des tuyaux de **type L** ou de **type PL** et respecter strictement tous les espacements des matières combustibles (indiqués par le fabricant de tuyaux).
- Utiliser le support de plafond approuvé par le fabricant pour traverser un plafond combustible, ainsi que les coupe-feux, écrans de protection, solin et collet de solin nécessaires.
- Veiller à respecter la hauteur de la terminaison exigée par le fabricant au-dessus de la pente du toit, et au moins les espacements minimaux des matières combustibles
- Utiliser un collet d'appareil là où l'évent se raccorde à la sortie du poêle et le fixer au ventilateur d'évacuation à l'aide de trois vis à tête.
- Sceller tous les joints de tuyau avec silicone RTV haute température, pour être sûr que le système ne présente pas de fuites (Vérifier les instructions du fabricant du système d'évacuation particulier avant de procéder).
- Si le tuyau d'évent n'est pas « à verrouillage par rotation », il faut poser trois (3) vis à tête à chaque joint.
- Raccorder le poêle à granulés à l'air comburant extérieur à l'aide du kit fourni avec votre poêle ou en utilisant une autre méthode, comme le décrit la section « Air extérieur », à la page 14.
- Cette méthode peut aussi être modifiée afin que le système d'évacuation passe horizontalement à travers le mur puis continue à la verticale pour se terminer au-dessus de la ligne de toit. Faire attention à bien suivre à la lettre les instructions du fabricant en cas d'utilisation de cette version modifiée.

Veillez prendre note :

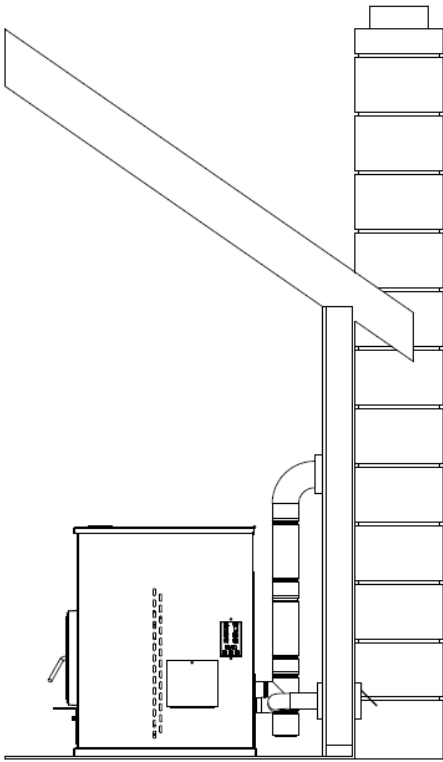
Les schémas d'installation ne servent que comme référence et ne sont pas à l'échelle, ce ne sont pas des plans d'installations individuelles. Veillez observer toutes les exigences relatives au système d'évacuation, respecter les espacements requis pour les combustibles et suivre tous les codes locaux.

IMPORTANT! Lisez et suivez TOUTES les instructions pour l'installation et l'entretien, notamment celles portant sur le nettoyage de l'appareil à effectuer selon les directives et celles portant sur le remplacement des joints (annuellement) et des pièces (au besoin). England's Stove Works n'est pas responsable des dommages ni des blessures, quels qu'ils soient, subis en raison de négligence ou à cause d'une installation ou utilisation dangereuse de ce produit. Pour toute question, communiquez avec le service de soutien technique.

INSTALLATION

Pour des installations situées à plus de 1200 m (4000 pi) au-dessus du niveau de la mer, l'évacuation doit être ventilée par du conduit pour poêles à granulés de 4 po (100 mm)

Méthode 3 approuvée pour l'évacuation : Cheminée existante



- Utiliser une cheminée existante en maçonnerie ou construite en usine est la seule autre méthode acceptable pour l'évacuation de cet appareil à granulés.
- Utiliser des tuyaux de **type L** ou de **type PL** jusqu'à l'entrée dans la cheminée. Utiliser un adaptateur de la bonne taille en passant du tuyau d'évent à la maçonnerie ou au manchon d'emboîtement d'usine et vérifier que l'adaptateur est bien scellé à la fois à l'évent et à la cheminée.
- Avant d'utiliser une cheminée existante, vérifier qu'elle est en bon état (Un ramonage est recommandé). Veiller aussi à ce que la cheminée respecte les normes minimales de la NFPA 211 (un fumiste peut le confirmer après inspection).
- En cas de raccordement de ce poêle à une cheminée fabriquée en usine, il faut **UNIQUEMENT** utiliser un système d'évacuation UL103 HT (ULC S629 si le Canada) avec un carneau de 6 po. Un raccordement à

toute autre cheminée fabriquée en usine pourrait causer un mauvais fonctionnement ou une installation dangereuse.

- En raccordant à une cheminée de maçonnerie existante, il faut tenir compte de la section du carneau. Dans le cas d'une cheminée avec un conduit plus grand que 6 po rond (28,27 po² [182 cm²]), il pourrait être nécessaire de refaire un revêtement intérieur à l'aide d'un tuyau approuvé pour poêle à granulés.
- Utiliser un collet d'appareil là où l'évent se raccorde à la sortie du poêle et le fixer au ventilateur d'évacuation à l'aide de trois vis à tête.
- Sceller tous les joints de tuyau avec silicone RTV haute température, pour être sûr que le système ne présente pas de fuites (Vérifier les instructions du fabricant du système d'évacuation particulier avant de procéder).
- Si le tuyau d'évent n'est pas « à verrouillage par rotation », il faut poser trois (3) vis à tête à chaque joint.
- Raccorder le poêle à granulés à l'air comburant extérieur à l'aide du kit fourni avec votre poêle ou en utilisant une autre méthode, comme le décrit la section « Air extérieur », à la page 14.

Veillez prendre note :

Les schémas d'installation ne servent que comme référence et ne sont pas à l'échelle, ce ne sont pas des plans d'installations individuelles. Veillez observer toutes les exigences relatives au système d'évacuation, respecter les espacements requis pour les combustibles et suivre tous les codes locaux.

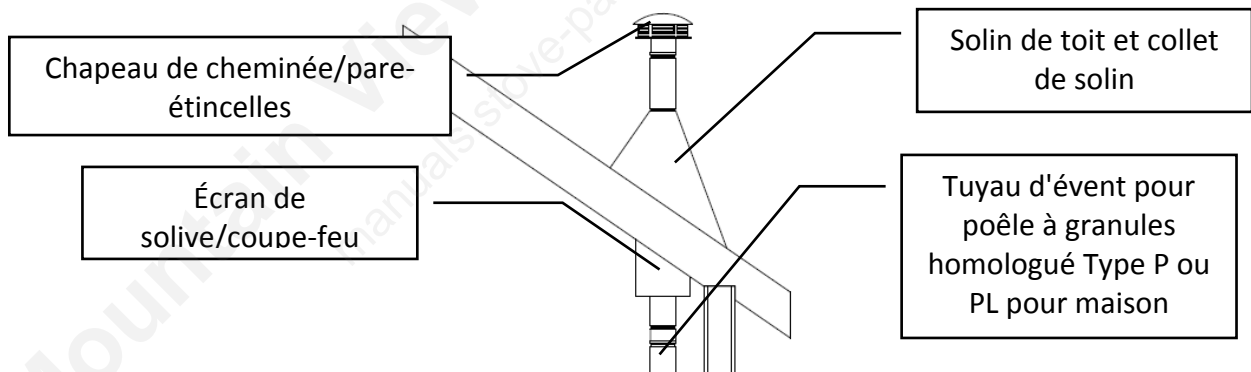
IMPORTANT! Lisez et suivez TOUTES les instructions pour l'installation et l'entretien, notamment celles portant sur le nettoyage de l'appareil à effectuer selon les directives et celles portant sur le remplacement des joints (annuellement) et des pièces (au besoin). England's Stove Works n'est pas responsable des dommages ni des blessures, quels qu'ils soient, subis en raison de négligence ou à cause d'une installation ou utilisation dangereuse de ce produit. Pour toute question, communiquez avec le service de soutien technique.

INSTALLATION

Installation dans une maison mobile

Pour des installations situées à plus de 1200 m (4000 pi) au-dessus du niveau de la mer, l'évacuation doit être ventilée par un conduit pour poêles à granulés de 4 po (100 mm)

- Il **FAUT** utiliser le kit d'air extérieur de England's Stove Works, Inc. pour l'installation de cet appareil dans une maison mobile. Veuillez consulter la section « Air extérieur » à la page 14 pour plus d'information relative aux raccordements à l'air extérieur.
- L'entrée d'air extérieur doit être exempte de feuilles, de glace et autres débris. Il est essentiel de garder cette entrée d'air libre pour éviter un manque d'air et une dispersion de fumée.
- Le poêle à granulés **DOIT** être fixé au plancher de la maison mobile à l'aide de tire-fonds par les trous à la base du socle. Les appareils de chauffage alimentés en air extérieur doivent être fixés à la structure.
- Le poêle à granulés **DOIT** être mis à la terre avec un fil de cuivre massif no 8 (ou équivalent), terminé à chaque extrémité par un dispositif de mise à la terre approuvé par le NEC.
- Observer soigneusement tous les espacements indiqués dans la section appropriée de ce manuel ET respecter les exigences minimales d'espacement du fabricant d'événements. En outre, veiller à ce que le système d'évacuation soit approuvé pour une utilisation dans une maison mobile.
- Il faut faire l'installation dans une maison mobile en conformité avec la norme « Manufacturer's Home and Safety Standard (HUD), CFR 3280, partie 24 » ainsi qu'avec tous les codes locaux en vigueur.
- Utiliser du silicone pour créer un coupe-vapeur efficace là où la cheminée ou le conduit d'air extérieur passe à l'extérieur de la structure.



MISE EN GARDE

IL FAUT RESPECTER L'INTÉGRITÉ DE LA STRUCTURE DES PLANCHERS, MURS ET PLAFONDS/TOIT DE LA MAISON PRÉFABRIQUÉE.

NE PAS COUPER DE SOLIVES DE PLANCHER, DE MONTANTS DE MUR, DE FERMES DE TOIT OU TOUT AUTRE MATÉRIAU DE SOUTIEN ESSENTIEL À L'INTÉGRITÉ DE LA STRUCTURE DE LA MAISON.

AVERTISSEMENT : NE PAS INSTALLER DANS UNE CHAMBRE À COUCHER.

IMPORTANT! Lisez et suivez TOUTES les instructions pour l'installation et l'entretien, notamment celles portant sur le nettoyage de l'appareil à effectuer selon les directives et celles portant sur le remplacement des joints (annuellement) et des pièces (au besoin). England's Stove Works n'est pas responsable des dommages ni des blessures, quels qu'ils soient, subis en raison de négligence ou à cause d'une installation ou utilisation dangereuse de ce produit. Pour toute question, communiquez avec le service de soutien technique.

RACCORDEMENT À L'AIR EXTÉRIEUR

- Il est **obligatoire** que cet appareil soit raccordé à l'air extérieur.
- Le tuyau de raccordement à l'air extérieur dépasse en bas, à l'arrière, au centre du poêle. Utiliser le kit inclus pour raccorder votre poêle à l'air de combustion extérieur. Les instructions et toutes les pièces nécessaires au raccordement sont dans le kit.
- S'il n'est pas possible d'utiliser les pièces du kit pour faire le raccordement, d'autres matériaux peuvent être utilisés à condition d'observer les règles suivantes :
 - Le tuyau utilisé pour le raccordement doit être en métal et d'une épaisseur minimale de 0,0209 po [0,74 mm] (acier doux d'épaisseur 25), ou plus épais, et d'un diamètre intérieur d'environ 2 po (50,8 mm).
 - Il faut sceller tous les joints et les raccords du tuyau à l'aide de colliers de serrage ou autres moyens mécaniques, pour garantir un raccordement sans fuite à l'air extérieur.
 - Il faut éviter des portées trop longues de tuyau et de trop nombreux coudes pour l'air extérieur. Trop de tuyau peut entraîner un faible rendement du poêle, à cause de la résistance de frottement.
 - Il faut poser un grillage ou autre dispositif de protection à la terminaison d'air extérieur pour empêcher la pluie, les débris et les animaux nuisibles d'entrer dans les tuyaux.
 - Augmenter le diamètre de 3 po (76,2 mm) si le raccordement à l'air extérieur est plus long que 6 pi (1,83 m), s'il y a plus de deux (20 coudes) ou si le poêle est au sous-sol.
- Il faut inspecter le système de raccordement à l'air extérieur au moins une fois par an pour savoir s'il est exempt d'obstruction.

Mise en garde

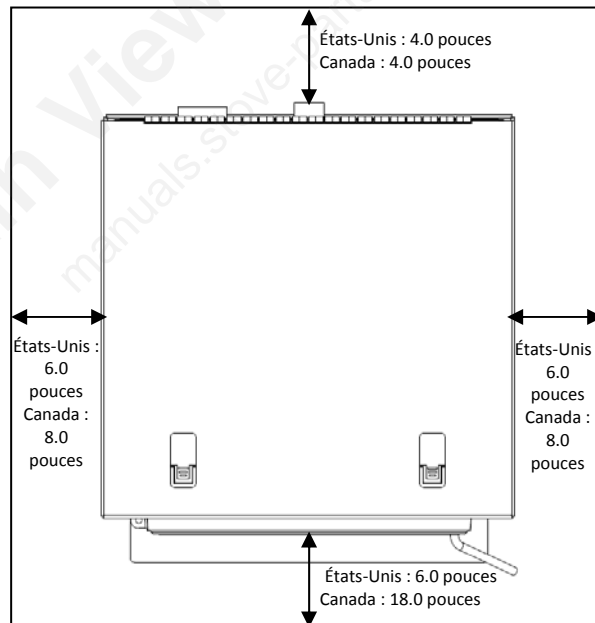
NE JAMAIS tirer l'air extérieur de combustion :

- d'une cavité d'un mur, d'un plancher ou d'un plafond;
- d'un espace clos comme un grenier, un garage ou un vide sanitaire.

IMPORTANT! Lisez et suivez TOUTES les instructions pour l'installation et l'entretien, notamment celles portant sur le nettoyage de l'appareil à effectuer selon les directives et celles portant sur le remplacement des joints (annuellement) et des pièces (au besoin). England's Stove Works n'est pas responsable des dommages ni des blessures, quels qu'ils soient, subis en raison de négligence ou à cause d'une installation ou utilisation dangereuse de ce produit. Pour toute question, communiquez avec le service de soutien technique.

PROTECTION DU PLANCHER

- En cas d'installation sur un plancher combustible, ce poêle à granules doit être posé sur un protecteur de plancher non combustible. Si le plancher est déjà non-combustible (c.-à-d. un plancher de béton dans un sous-sol) et a une valeur R égale ou supérieure à 0,2, il n'y a pas besoin de protection de plancher (un protecteur décoratif peut être utilisé pour des raisons esthétiques).
- Les protecteurs préfabriqués de plancher homologués UL ou équivalents (ULC si le Canada) peuvent être achetés ou un protecteur peut être fabriqué avec des matériaux standards; deux panneaux de fibragglo-ciment épais de 0,5 po (12,7 mm) recouverts de carreau de céramique feraient un protecteur convenable respectant la valeur de 0,2R.
- En cas d'utilisation d'un protecteur de plancher, tenir compte du fait que le poêle n'est pas seulement lourd, mais qu'il occasionnera des cycles de chaleur et de refroidissement sur le protecteur qui pourraient endommager le carreau et défaire les joints de mortier ou de coulis. Une carpeppe **N'EST PAS** un substitut approuvé pour un panneau de foyer.
- Pour les États-Unis : le tapis protecteur doit dépasser au moins de 6 pouces (152,4 mm) à l'avant et sur les côtés et de 4 pouces (101,6 mm) à l'arrière.
- Pour le Canada : le tapis protecteur doit dépasser au moins de 18,0 pouces (457,2 mm) à l'avant de l'appareil, 8,0 pouces (203,2 mm) sur les côtés de l'appareil et 4,0 pouces (101,6 mm) à l'arrière.



- Au Canada, il est pas obligatoire que le protecteur non combustible de plancher s'étende sous et à 2 po (50,8 mm) de chaque côté des portés de tuyau horizontales **ET** directement sous un tuyau vertical.

IMPORTANT! Lisez et suivez TOUTES les instructions pour l'installation et l'entretien, notamment celles portant sur le nettoyage de l'appareil à effectuer selon les directives et celles portant sur le remplacement des joints (annuellement) et des pièces (au besoin). England's Stove Works n'est pas responsable des dommages ni des blessures, quels qu'ils soient, subis en raison de négligence ou à cause d'une installation ou utilisation dangereuse de ce produit. Pour toute question, communiquez avec le service de soutien technique.

UTILISATION QUOTIDIENNE

Avant de commencer

- Vérifier que la trémie est propre et exempte de matériaux étrangers. Veiller raccorder l'appareil à une prise active; nous recommandons d'utiliser un parasurtenseur pour protéger les composantes électroniques.
- **AVANT** votre premier feu, faire fonctionner votre appareil à vide (sans granules dans la trémie) pendant 20 minutes; appuyer sur le bouton « ON » de l'appareil branché déclenchera une marche à vide.
 - Une fois le bouton « ON » enfoncé, vous devez entendre immédiatement le ventilateur d'évacuation se mettre marche et continuer à fonctionner.
 - Après trois à cinq minutes, regarder le rougeoiement de l'allumeur dans l'orifice d'allumage de la chambre de combustion pour être sûr que l'allumeur fonctionne normalement.
 - Maintenir le commutateur du couvercle de trémie (voir « Schémas illustrés des pièces » p. 38) enfoncé et vérifier que la vis sans fin tourne. Relâcher le commutateur du couvercle de trémie et vérifier que la vis sans fin arrête de tourner. **NE PAS METTRE VOS DOIGTS DANS LA TRÉMIE OU PRÈS DE LA VIS SANS FIN EN ROTATION.**
- Après environ vingt minutes, le tableau de commande devrait indiquer « E-2 » dans les deux fenêtres d'affichage (Plus d'information sur les codes d'erreur dans la section Codes d'erreur de ce manuel)).
- À ce moment-là, la marche à vide est terminée et votre poêle à granules est prêt à fonctionner normalement.

Allumer un feu

- Afin d'utiliser ce poêle, il faut remplir la trémie de granules. Lever le couvercle de la trémie à l'aide de poignée encastrée et verser les granules directement dans la trémie.
 - ❖ Nous recommandons de n'utiliser que les granules fabriqués par les établissements certifiés PFI, car les granules portant l'étampe PFI ont une faible teneur en cendres et en humidité, rejettent beaucoup de BTU et sont de qualité et de taille uniforme.
- Des granules de résineux ou de bois franc brûleront proprement et efficacement dans ce poêle, même si les cendres présentent de légères différences d'apparence et de texture

IMPORTANT! Lisez et suivez TOUTES les instructions pour l'installation et l'entretien, notamment celles portant sur le nettoyage de l'appareil à effectuer selon les directives et celles portant sur le remplacement des joints (annuellement) et des pièces (au besoin). England's Stove Works n'est pas responsable des dommages ni des blessures, quels qu'ils soient, subis en raison de négligence ou à cause d'une installation ou utilisation dangereuse de ce produit. Pour toute question, communiquez avec le service de soutien technique.

- Ce poêle dispose d'un système d'allumage automatique des granules; l'utilisateur doit seulement appuyer sur le bouton « On » pour allumer le poêle.
- Peut après avoir appuyé sur le bouton « On », les lettres « **S U** » apparaîtront dans les fenêtres du degré de chaleur et de vitesse du ventilateur du tableau de commande. Cela indique que le poêle a commencé sa séquence de démarrage et fonctionne normalement.
- Le tableau de commande détermine le taux d'alimentation en combustible et l'admission d'air de combustion au démarrage; celui-ci peut donc avoir lieu à n'importe quel degré de chaleur.
- Après environ quinze minutes, le feu devrait flamber et « **S U** » disparaître. À ce moment-là, le poêle fonctionne normalement et les fenêtres d'affichage resteront vides sauf en cas de réglage du degré de chaleur ou de la vitesse du ventilateur.

Note sur l'utilisation quotidienne

- Il faut utiliser uniquement des granules de bois de qualité supérieure de ¼ po (6,35 mm) de diamètre dans ce poêle. En cas d'utilisation de granules de bois de qualité inférieure avec un important contenu de cendres OU de granules avec un taux d'humidité élevé, la chambre de combustion pourrait se remplir de cendres à un rythme plus rapide et des intervalles beaucoup plus courts entre les entretiens périodiques deviendraient nécessaires. Lire attentivement la section « Entretien » de ce manuel pour comprendre l'importance du choix du combustible sur le fonctionnement, l'entretien et le nettoyage du poêle.
- Une variation de la hauteur de la flamme est normale; la grosseur des granules de bois n'est pas d'uniforme, ce qui peut modifier l'alimentation de la chambre de combustion. Même si la hauteur de la flamme varie, il n'y a pas de perte d'efficacité.
- Toujours entreposer les granules dans un endroit sec; cela garantit que le combustible reste en granules et que le taux d'humidité reste bas. Veiller également à ce que les granules soient entreposées loin du poêle; sinon, un incendie pourrait survenir.
- Cet appareil de chauffage à granules est équipé d'une chambre de combustion spécialement conçue installée en usine. Cette chambre de combustion surélève les granules qui brûlent et distribue l'air en des endroits précis. Il faut utiliser uniquement cette chambre de combustion à laquelle aucune modification ne doit être faite; il ne faut ajouter aucune autre grille ni aucun élévateur de feu

MISE EN GARDE

NE JAMAIS UTILISER D'ESSENCE, D'HUILE À LAMPE, DE KÉROSÈNE, D'ALLUME-BARBEQUE, OU D'AUTRES LIQUIDES INFLAMMABLES POUR ALLUMER OU RAVIVER UN FEU DANS CE POÊLE. TENIR TOUS CES TYPES DE LIQUIDES LOIN DU POÊLE LORSQU'IL FONCTIONNE. EN OUTRE, NE JAMAIS APPLIQUER D'ALLUME-FEU SUR UNE SURFACE CHAUDE OU DES TISONS DANS CE POÊLE.

NE PAS UTILISER DE PRODUITS CHIMIQUES NI DE LIQUIDES POUR ALLUMER LE FEU. NE PAS BRÛLER DE DÉCHETS OU DE LIQUIDES COMME L'ESSENCE, LE NAPhte OU L'HUILE DE MOTEUR.

RÉGLAGES DU TABLEAU DE COMMANDE

Le tableau de commande de ce poêle permet à l'utilisateur de régler la sortie de chaleur et la vitesse du ventilateur de convection, d'arrêter ou de mettre en marche l'appareil et de tester le fonctionnement des composants (plus sur le mode diagnostic plus loin).

- Les boutons inférieurs du tableau (Low Fuel Feed, Low Burn Air, and Air on Temp) sont déjà réglés à en usine et l'utilisateur ne peut pas les régler.
- Pour activer l'appareil et allumer un feu, appuyer sur le bouton « On ». La DEL au-dessus du bouton doit s'allumer en vert et le tableau de bord afficher « S U » peu de temps après.
- Pour éteindre l'appareil, appuyer sur le bouton « Off ». La DEL au-dessus du bouton doit s'allumer en rouge et le tableau de bord afficher « S d » peu de temps après. Cela amorce la séquence d'extinction et le poêle restera éteint jusqu'à ce qu'il ait refroidi.
- Pour augmenter la sortie de chaleur, appuyer sur le bouton « Up » du degré de chaleur. Le chiffre dans la fenêtre d'affichage du degré de chaleur augmentera, ce qui signifie que le tableau de commande ajuste la sortie de chaleur au degré désiré. Le poêle étant conçu pour fonctionner avec la vitesse du ventilateur plus rapide ou égal au degré de chaleur, celle-ci augmentera de la même façon que celui-la. Appuyer sur la flèche « Down » diminuera le degré de chaleur et la vitesse du ventilateur.
- Pour augmenter la vitesse du ventilateur sans augmenter le degré de chaleur, appuyer sur la flèche Blower Speed « Up » jusqu'à ce que la vitesse désirée s'affiche dans la fenêtre. Appuyer sur la flèche « Down » diminuera la vitesse du ventilateur; cependant, le tableau de commande ne permettra pas que la vitesse soit réglée plus bas que le degré de chaleur

Mise en garde

Le cendrier et la porte avec fenêtre doivent être fermés lorsque le poêle fonctionne. Faire fonctionner le poêle avec l'une ou l'autre ouverte aura pour résultat une dispersion de fumée et une combustion paresseuse.

En outre, utiliser un autre combustible que des granules de bois pourrait créer une situation dangereuse et générer trop de monoxyde de carbone. C'est un gaz sans odeur et sans couleur qui peut être mortel. Brûler uniquement des granules de bois.

IMPORTANT! Lisez et suivez TOUTES les instructions pour l'installation et l'entretien, notamment celles portant sur le nettoyage de l'appareil à effectuer selon les directives et celles portant sur le remplacement des joints (annuellement) et des pièces (au besoin). England's Stove Works n'est pas responsable des dommages ni des blessures, quels qu'ils soient, subis en raison de négligence ou à cause d'une installation ou utilisation dangereuse de ce produit. Pour toute question, communiquez avec le service de soutien technique.

CODES D'ERREUR

Les codes d'erreur, ou « E-Codes », sont des codes alphanumériques qui apparaissent dans les fenêtres du degré de chaleur et de la vitesse du ventilateur du tableau de commande si votre appareil présente des problèmes. Les codes d'erreur sont la façon du tableau de contrôle d'indiquer à l'utilisateur que quelque chose ne fonctionne pas correctement dans le poêle et que l'appareil devrait être soigneusement inspecté avant de le rallumer. Voir le « Guide de dépannage » à la page 30, pour un complément d'information sur les codes d'erreur

E-0

- Lorsqu'affiché dans les fenêtres du tableau de commande (habituellement en redémarrant après une extinction « E-Code »), cela signifie qu'il n'y a plus d'erreur et que le poêle commencera un cycle normal.

E-1

- Ce code d'erreur n'est pas utilisé sur ce poêle. S'il s'affiche, veuillez communiquer avec l'assistance technique qui diagnostiquera la cause de ce code erroné.

E-2

- Quand ce code est affiché, il indique une panne d'allumage. Même si le poêle a enflammé les granules, le tableau de bord n'a pas enregistré une température suffisante pour déterminer que le feu était allumé. Si c'était le cas, attendre que l'appareil refroidisse, nettoyer la chambre de combustion et redémarrer.

E-3

- Ce code d'erreur indique que la température d'évacuation maximale programmée a été dépassée. Couramment appelé « Surchauffe », le code E-3 signifie que quelque chose dans le poêle fait que le gaz d'évacuation est plus chaud qu'il ne devrait.

E-4

- Ce code est affiché lors d'une chute de température d'évacuation. Ce code signifie que le feu ou la « preuve de flamme » a été perdu. C'est en général dû au fait que la trémie est vide.

Si un code d'erreur continue de s'afficher, si le code semble inexplicable, ou si vous avez d'autres questions concernant les codes d'erreur et ce qu'il signifie, communiquer avec notre assistance technique au (800)245-6489.

Interrupteur de sécurité du couvercle de la trémie : Cet appareil est également doté d'un interrupteur de sécurité du couvercle de la trémie (pièce n° **AC-HLSB**) qui est directement raccordé au moteur de la vis à granules supérieure. Dans l'éventualité où le couvercle de la trémie est laissé ouvert pendant que le poêle est en marche, l'interrupteur du couvercle de la trémie empêchera la vis à granules supérieure de tourner. Cela permet d'éviter que les sous-produits de combustion pénètrent dans la maison à l'aide de l'ouverture laissée par le couvercle de la trémie et aussi d'empêcher l'appareil de fonctionner pendant que le couvercle est ouvert. Une utilisation inadéquate de l'interrupteur de sécurité du couvercle de la trémie empêchera la vis à granules supérieure de tourner; par conséquent, le poêle ne fonctionnera pas. Ne placez JAMAIS votre main ni tout autre objet, près de la vis à granules pendant que le poêle est branché.

IMPORTANT! Lisez et suivez TOUTES les instructions pour l'installation et l'entretien, notamment celles portant sur le nettoyage de l'appareil à effectuer selon les directives et celles portant sur le remplacement des joints (annuellement) et des pièces (au besoin). England's Stove Works n'est pas responsable des dommages ni des blessures, quels qu'ils soient, subis en raison de négligence ou à cause d'une installation ou utilisation dangereuse de ce produit. Pour toute question, communiquez avec le service de soutien technique.

PANNE DE COURANT

En cas d'interruption de courant à l'appareil pendant environ trois minutes ou moins, il reprendra son fonctionnement lors du retour du courant selon le tableau suivant :

État de l'appareil avant la perte de courant	État de l'appareil au retour du courant
ON	Démarrage
Démarrage	Démarrage
Cycle d'arrêt	Cycle d'arrêt
OFF	OFF

- En cas d'interruption de courant pendant plus de trois minutes (environ), l'appareil sera à l'arrêt (« OFF ») au retour du courant.
- **IMPORTANT – NE PAS** ouvrir le couvercle de la trémie ou la porte de l'appareil pendant une panne de courant. Ouvrir la porte extérieure la plus proche et une fenêtre pour éliminer le tirage naturel de la maison.
- Attendre le retour du courant et appuyer en suite sur le bouton « ON » pour redémarrer l'appareil au besoin.

Détecteurs de fumée

England's Stove Works recommande l'utilisation de détecteurs de fumée dans toutes les pièces de la maison. Cependant, placer un détecteur de fumée directement au-dessus de cet appareil pourrait entraîner des alertes inutiles.

Mise en garde – Risque de décharge électrique

Appuyer sur le bouton « Off » et laisser l'appareil refroidir complètement AVANT de le débrancher et commencer un entretien ou de remplacer une pièce.

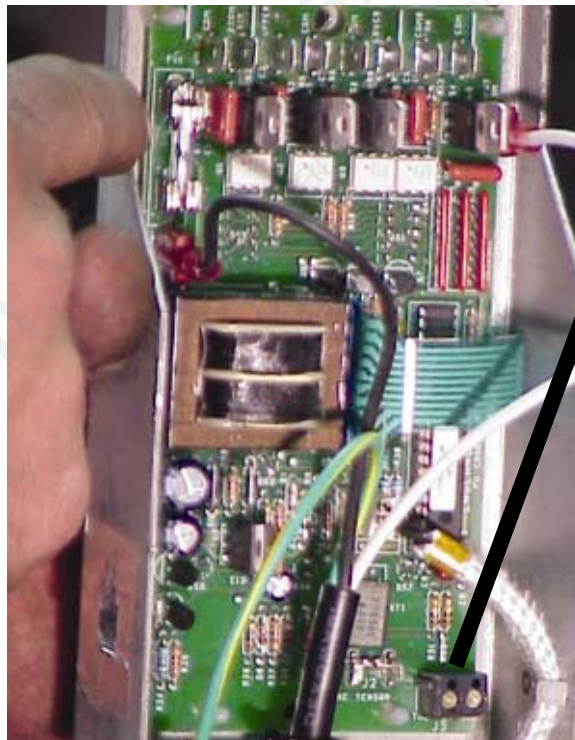
Il y a risque de décharge électrique si l'appareil n'est pas débranché.

IMPORTANT! Lisez et suivez TOUTES les instructions pour l'installation et l'entretien, notamment celles portant sur le nettoyage de l'appareil à effectuer selon les directives et celles portant sur le remplacement des joints (annuellement) et des pièces (au besoin). England's Stove Works n'est pas responsable des dommages ni des blessures, quels qu'ils soient, subis en raison de négligence ou à cause d'une installation ou utilisation dangereuse de ce produit. Pour toute question, communiquez avec le service de soutien technique.

UTILISATION DU THERMOSTAT

Installation du thermostat

1. Débrancher l'appareil et retirer le panneau arrière du poêle.
2. Repérer le bloc de connexion du thermostat, étiqueté J18, à l'arrière du tableau de commande, près du bas (Voir l'image ci-dessous et la page 37 de ce manuel pour un schéma du tableau de commande). Un petit « cavalier » y est installé en usine. Ce cavalier contourne le thermostat et devrait être conservé.
3. Desserrer les deux vis à l'aide d'un petit tournevis plat de « joaillier » et retirer le « cavalier ».
4. Insérer les deux fils du thermostat à sa place et resserrer les vis.
5. Reposer le panneau arrière et fixer le thermostat; le tableau de commande le lit automatiquement et votre poêle est maintenant prêt pour fonctionner avec.



Connecter
les fils du
thermostat
ici (J18)

UTILISATION DU THERMOSTAT : Ce poêle est doté d'une nouvelle fonction exclusive qui offre deux modes de fonctionnement avec le thermostat : Le poêle sort de l'usine préprogrammé au « mode marche / arrêt » et se met en marche ou s'éteint en fonction de la demande de chaleur requise par le thermostat, de la même façon qu'un appareil de chauffage. Le second mode est le « mode élevé /bas » pour lequel la combustion s'effectue en fonction du réglage de température jusqu'à ce que l'appel de chaleur cesse. Par la suite, le poêle continue de fonctionner avec un réglage de faible chaleur. Pour choisir le « mode élevé /bas », débranchez l'appareil puis rebranchez-le. Ensuite, appuyez sur les deux flèches orientées vers le bas et relâchez-les; l'indication H L s'affichera sur les écrans relatifs à la plage de chaleur et à la vitesse du ventilateur. L'appareil fonctionne alors en « mode élevé / bas ». (Remarque : Répétez cette opération pour revenir au « mode marche / arrêt ». Les écrans afficheront alors le code 0 0). L'utilisation du thermostat en « mode marche / arrêt » peut réduire la durée de vie de l'allumeur de votre poêle. Veuillez noter : que certains appareils pourraient ne pas répondre à cette commande. Si votre appareil ne répond pas de cette façon, veuillez communiquer avec le service de soutien technique au 1 800 245-6489.

UTILISATION DU THERMOSTAT

Détails de l'utilisation du thermostat

- Le 25-PAH | 55-SHPAH | 55-TRPAH a été conçu pour fonctionner aussi bien en mode manuel qu'en mode thermostat. Tandis que l'utilisation du tableau de commande donne à l'utilisateur le contrôle sur la sortie de chaleur du poêle, le thermostat permet de « l'allumer et de « l'éteindre » indépendamment ce qui aide à maintenir une température plus constante dans la maison et économise les granules.
- Ce poêle peut être connecté soit à un thermostat mural (Pièce no PU-DTSTAT) soit à un thermostat sans fil à distance (Pièce no AC-3003). Bien que les deux thermostats fassent fonctionner correctement le poêle, nous recommandons le thermostat sans fil qui vous permet de le démarrer de n'importe où dans la maison.
- Lors d'un fonctionnement thermostatique, le poêle brûlera au degré de chaleur et à la vitesse du ventilateur réglés au tableau de commande.
- Lorsqu'il n'y a plus d'appel de chaleur (c.-à-d. quand la pièce a atteint la température), le poêle entrera dans une séquence d'extinction thermostatique.
- Si pendant cette période, il y a un autre appel de chaleur, le poêle terminera son cycle d'extinction avant de se rallumer.
- Ne pas oublier de placer le thermostat près du poêle dans un endroit central; mettre le thermostat dans une pièce éloignée pourrait entraîner la surchauffe du poêle puisqu'il ne capte que la température de la pièce où il est situé.

ACCESSOIRES EN OPTION

Thermostat mural (PU-DTSTAT)

- Ce thermostat mural permet au 25-PAH | 55-SHPAH | 55-TRPAH de fonctionner comme une fournaise : le poêle s'allume et s'éteint avec l'appel de chaleur. Cela maintient la maison à une température plus constante en économisant les granules.

Thermostat à distance (AC-3003)

- Le thermostat à distance pour le 25-PAH offre un fonctionnement plus pratique en permettant le réglage de la température de n'importe où dans la maison. Le thermostat à distance permet un contrôle précis de la température d'où vous le désirez et n'a besoin que de six (6) piles AA pour fonctionner.

ENTRETIEN QUOTIDIEN

Élimination des cendres – Il faut placer les cendres dans un contenant de métal avec un couvercle bien fermé. Il faut poser le contenant fermé sur un plancher incombustible ou sur le sol loin des matières combustibles en attendant l'élimination finale. Si on dispose des cendres en les enterrant ou en les dispersant, il faut les conserver dans un contenant fermé jusqu'à ce que toutes les scories soient refroidies.

Notes importantes

- Comme pour tout entretien de cet appareil, il faut être certain qu'il est éteint et a terminé son cycle d'extinction **AVANT** de procéder.
- Il faut être conscient que toutes les pièces métalliques du foyer peuvent rester **CHAUDES** longtemps après que le feu est éteint et **MÊME** après que le cycle d'extinction est terminé. Toujours faire très attention en manipulant des pièces éventuellement chaudes du poêle, même si vous les croyez froides.
- Il ne faut retirer les cendres que lorsque le poêle a été éteint et a bien refroidi. Des tisons chauds peuvent rester sous les cendres longtemps après l'extinction du feu, il faut donc être très prudent en manipulant les cendres.
- Différentes sortes de granules produiront des quantités différentes de cendres et de dépôts dans la chambre de combustion. Surveiller attentivement l'accumulation de cendres dans le poêle en faisant fonctionner l'appareil la première fois et à chaque fois que des granules différentes y sont brûlées.
- Bien que la quantité de cendres générée par cet appareil ne soit pas excessive comparée aux poêles à bois brûlant des bûches, Il est PRIMORDIAL de le garder propre et exempt de cendres pour optimiser sa performance. Trop de cendres accumulées ralentissent le débit d'air, réduisent l'efficacité de l'appareil et peuvent causer un retour de fumée.
- England's Stove Works n'est pas responsable de dommages causés par un poêle mal entretenu ou sale. Ce poêle à granules est une machine hautement efficace et nécessite un entretien suffisant pour le faire fonctionner à plein rendement.

Nettoyage et élimination des cendres

- Appuyer sur la touche « OFF » et laisser le poêle terminer son cycle d'extinction avant d'ouvrir la porte.
- Grâce à la conception ouverte du foyer, la plupart des cendres seront déjà dans le cendrier. Ouvrir la porte principale du poêle et utiliser un vieux pinceau ou un couteau à mastic pour nettoyer autour de la chambre de combustion et pousser les cendres dans le cendrier.

IMPORTANT! Lisez et suivez TOUTES les instructions pour l'installation et l'entretien, notamment celles portant sur le nettoyage de l'appareil à effectuer selon les directives et celles portant sur le remplacement des joints (annuellement) et des pièces (au besoin). England's Stove Works n'est pas responsable des dommages ni des blessures, quels qu'ils soient, subis en raison de négligence ou à cause d'une installation ou utilisation dangereuse de ce produit. Pour toute question, communiquez avec le service de soutien technique.

- Utiliser un tournevis à long manche ou un couteau à mastic pour retirer tous les dépôts de la chambre de combustion en faisant très attention à ne pas les pousser vers le berceau. Une accumulation excessive de cendres dans le berceau peut entraîner un faible rendement du poêle (Voir « Nettoyage de la chambre de combustion » ci-dessous).
- Tourner le verrou du cendrier dans le sens antihoraire pour libérer celui-ci et le faire glisser hors du poêle.
- Jeter les cendres dans un contenant de métal (comme décrit précédemment) et les entreposer sur une surface non combustible pour permettre aux tisons de refroidir avant de les éliminer.
- Remettre le cendrier dans le poêle; faire tourner le verrou dans le sens horaire jusqu'à ce qu'il s'enclenche dans le rebord de l'ouverture du cendrier. Le poêle est maintenant prêt à fonctionner normalement.
- Le cendrier doit **TOUJOURS** être correctement posé dans le poêle; il est essentiel que le cendrier ait un joint hermétique pour le bon fonctionnement du poêle

Nettoyage de la chambre de combustion

Avec l'enlèvement des cendres, le nettoyage de la chambre de combustion est essentiel à l'entretien quotidien pour que le poêle fonctionne à plein rendement. Les granules contiennent diverses quantités d'impuretés et des matières fusibles qui s'accumuleront dans la chambre de combustion au fil du temps. Certaines en contiennent plus que d'autres, il faut donc faire preuve de vigilance pour garder propre la chambre de combustion. Laisser des impuretés s'accumuler dans la chambre peut réduire le débit d'air au feu, entraînant une combustion sale et inefficace.

- Toujours laisser le poêle terminer son cycle d'extinction et refroidir complètement avant de procéder à un entretien du foyer.
- Ouvrir la porte principale du poêle et retirer la chambre de combustion en la soulevant hors du berceau. **AVERTISSEMENT**– La chambre de combustion peut rester **CHAUDE** longtemps après que le feu est éteint; porter des gants lors de la manipulation d'une chambre de combustion potentiellement chaude.
- Une fois hors du poêle, utiliser un tournevis à long manche ou un couteau à mastic, comme déjà mentionné, pour retirer tous les dépôts de la chambre de combustion.
- Veiller à ce que tous les orifices d'air soient libres et sans obstruction de matières fusibles; un tournevis à pointe fine ou une pointe à tracer peut servir à retirer de la matière tenace de ces orifices.
- Retirer toute matière cendreuse du fond du berceau et brosser toute cendre du sommet du berceau dans le cendrier. Garder le sommet du berceau exempt de cendres est essentiel pour qu'il fasse un joint hermétique positif avec la chambre de combustion.
- Introduire la chambre de combustion dans le berceau en suivant la procédure inverse de celle décrite précédemment.

IMPORTANT! Lisez et suivez TOUTES les instructions pour l'installation et l'entretien, notamment celles portant sur le nettoyage de l'appareil à effectuer selon les directives et celles portant sur le remplacement des joints (annuellement) et des pièces (au besoin). England's Stove Works n'est pas responsable des dommages ni des blessures, quels qu'ils soient, subis en raison de négligence ou à cause d'une installation ou utilisation dangereuse de ce produit. Pour toute question, communiquez avec le service de soutien technique.

ENTRETIEN MENSUEL

Notes importantes

- Comme pour tout entretien de cet appareil, il faut être certain qu'il est éteint et a terminé son cycle d'extinction **AVANT** de procéder.
- Il faut être conscient que toutes les pièces métalliques du foyer peuvent rester **CHAUDES** longtemps après que le feu est éteint et **MÊME** après que le cycle d'extinction est terminé. Toujours faire très attention en manipulant des pièces éventuellement chaudes du poêle , même si vous les croyez froides.
- L'entretien mensuel doit comprendre les étapes énumérées dans cette section **AINSI QUE** celles énumérées dans la section « Entretien quotidien ».
- Les intervalles entre les nettoyages mensuels dépendront de la durée de fonctionnement du poêle sur une base quotidienne. Un poêle qui fonctionne continuellement aura besoin de plus de nettoyages mensuels qu'un poêle qui sert à l'occasion.
- Une règle d'or pour l'entretien mensuel est qu'il faut le faire chaque fois qu'une tonne de granules est brûlée **OU** une fois par mois, selon la première éventualité.
- S'il y a une accumulation trop importante de cendres dans la chambre ou le système d'évacuation lors de l'entretien mensuel, il faut réduire l'intervalle entre les nettoyages pour éliminer la possibilité d'une baisse de rendement due à l'accumulation de cendres.

Nettoyage de la chambre d'évacuation

La chambre d'évacuation du poêle a été conçue pour servir de zone d'accumulation des cendres pour empêcher que des dépôts trop importants ne se fassent dans le ventilateur et le système d'évacuation. En outre, elle est facilement accessible par les deux orifices de nettoyage situés dans le foyer.

- Utiliser une clé à douille de 5/16 po pour retirer les deux vis retenant chacun des couvercles de nettoyage en place. Ceux-ci sont situés sur la paroi arrière du foyer, près du bas.
- Déposer les couvercles de nettoyage du foyer et **AVANT** de passer l'aspirateur, examiner le type et la quantité de dépôts de cendres. Les cendres devraient être légères, floconneuses, grises ou blanches et leur hauteur ne devrait pas dépasser la moitié de l'orifice de nettoyage.
 - **NE PAS** laisser les cendres s'accumuler plus haut; une accumulation importante dans cette zone peut boucher le ventilateur de combustion et entraîner un mauvais rendement du poêle.

IMPORTANT! Lisez et suivez TOUTES les instructions pour l'installation et l'entretien, notamment celles portant sur le nettoyage de l'appareil à effectuer selon les directives et celles portant sur le remplacement des joints (annuellement) et des pièces (au besoin). England's Stove Works n'est pas responsable des dommages ni des blessures, quels qu'ils soient, subis en raison de négligence ou à cause d'une installation ou utilisation dangereuse de ce produit. Pour toute question, communiquez avec le service de soutien technique.

- À l'aide d'un aspirateur d'atelier, nettoyer la cendre volante de la chambre d'évacuation. Une buse fixée au bout du tuyau de l'aspirateur peut servir à nettoyer la cendre accumulée entre les orifices de nettoyage.
- Un kit de nettoyage spécialement conçu pour aspirer les cendres de poêle à granules est en vente sur le site Web de England's Stove Works; consulter : <http://www.englishstoves.com/store/>.
- Une fois la chambre d'évacuation nettoyée de ses cendres, reposer les couvercles d'orifice de nettoyage à l'aide des vis précédemment retirées.
- Veiller à bien serrer les vis pour sceller les couvercles, mais pas trop pour ne pas endommager les vis.

Nettoyage du tuyau d'évacuation

- Les endroits plus bas et les changements de direction (comme les tés et les coudes) sont des zones d'accumulation possible de cendre volante et de crésote. **INSPECTER** ces endroits avec attention pour maintenir le système d'évacuation en bon état de fonctionnement.
- Selon le type particulier de système d'évacuation de votre poêle, il pourrait être possible de retirer le té avec regard de nettoyage et de passer une brosse à tuyau pour nettoyer la cendre volante. Des brosses spéciales pour nettoyer de tuyau de poêle à granules sont en vente chez le détaillant qui vous a vendu ce poêle, ainsi que chez la plupart des revendeurs de produits pour foyer.
- Les portées horizontales de tuyau, comme du raccordement d'évacuation au tuyau vertical, accumuleront de la cendre volante et doivent être inspectées et nettoyées à la brosse.
- Examiner le capuchon de terminaison pour vérifier qu'il n'est pas bouché ou réduit par une de la cendre volante.
- Après un nettoyage soigneux du système d'évacuation, sceller à nouveau toutes les joints qui ont été démontés avec du silicone haute température (Pièce no AC-RTV3) si cela s'applique à votre système.
- Inspecter les joints non démontés pour être sûr qu'ils sont toujours hermétiques
- Après une utilisation prolongée, les dépôts de cendre volante à l'extérieur du tuyau indiquent l'emplacement des fuites. Les sceller en conséquence.
- Bien que la plupart des systèmes d'évacuation pour poêle à granules pour durer toute une vie, la cendre volante de granules peut être corrosive dans certaines conditions. Lors du nettoyage, examiner soigneusement le tuyau à la recherche de signes de détérioration et remplacer les sections trop usées. Il est improbable que cela devienne un problème, mais il est essentiel de maintenir votre système d'évacuation en bon état pour que le poêle fonctionne en toute sécurité.

IMPORTANT! Lisez et suivez TOUTES les instructions pour l'installation et l'entretien, notamment celles portant sur le nettoyage de l'appareil à effectuer selon les directives et celles portant sur le remplacement des joints (annuellement) et des pièces (au besoin). England's Stove Works n'est pas responsable des dommages ni des blessures, quels qu'ils soient, subis en raison de négligence ou à cause d'une installation ou utilisation dangereuse de ce produit. Pour toute question, communiquez avec le service de soutien technique.

ENTRETIEN ANNUEL

Notes importantes

- Comme pour tout entretien de cet appareil, il faut être certain qu'il est éteint et a terminé son cycle d'extinction **AVANT** de procéder.
- Il faut être conscient que toutes les pièces métalliques du foyer peuvent rester **CHAUDES** longtemps après que le feu est éteint et **MÊME** après que le cycle d'extinction est terminé. Toujours faire très attention en manipulant des pièces éventuellement chaudes du poêle , même si vous les croyez froides.
- L'entretien annuel (ou de fin de saison) doit comprendre les étapes énumérées dans cette section **AINSI QUE** celles énumérées dans la section « Entretien quotidien », « Entretien bihebdomadaire » et « Entretien mensuel » de ce manuel.
- Il faut procéder à l'entretien annuel à la fin de la saison de chauffage. Laisser les cendres ou d'autres dépôts dans le poêle pendant les mois sans chauffage peut entraîner une détérioration prématurée du métal et du système d'évacuation. Porter attention aux détails et nettoyer à fond à la fin de la saison aidera à prolonger la durée de vie de votre poêle et de votre système d'évacuation.

Suie et cendre volante : Formation et besoin de nettoyage

Les produits de combustion vont contenir des petites particules de cendre volante. La cendre volante va s'accumuler dans le système d'évacuation de fumée et restreindre le flux des gaz de combustion. La combustion incomplète, comme celle qui arrive lors d'un démarrage d'un arrêt ou d'un fonctionnement incorrect du poêle entraînera une formation de suie qui s'accumulera dans le système d'évacuation de fumée. Il faut inspecter le système d'évacuation de

Mise en garde – Risque de décharge électrique

Appuyer sur le bouton « Off » et laisser l'appareil refroidir complètement **AVANT** de le débrancher et commencer un entretien ou de remplacer une pièce.

Il y a risque de décharge électrique si l'appareil n'est pas débranché.

ENTRETIEN ANNUEL

Nettoyage du ventilateur d'évacuation

Bien que le ventilateur d'évacuation et son carter aient été conçus pour minimiser l'accumulation de cendres, de la cendre volante s'accumulera quand même durant la saison de chauffage. La quantité et le type de cendre dépendront du type de granules et du système d'évacuation, mais en général l'accumulation sera modérée. Si lors du nettoyage du ventilateur d'évacuation, il y a une grosse accumulation de cendres, il faudra nettoyer le ventilateur et son carter tous les mois ou deux fois par mois pour empêcher une accumulation excessive.

Instructions

- Avant de commencer le nettoyage, il faut être certain que l'appareil est débranché et complètement refroidi.
- Retirer la vis de 5/16 po qui fixe la porte d'accès du ventilateur à l'appareil.
- Une fois la porte ouverte, le ventilateur est bien visible.
- Déconnecter le système d'évacuation du ventilateur d'évacuation juste assez pour être capable de retirer celui-ci du poêle.
- Débrancher les deux fils du faisceau de câbles connectant le poêle au ventilateur à l'aide des fiches à branchement rapide.
- Retirer la vis de 5/16 po qui retient le capteur thermique au-dessus du raccordement de sortie du ventilateur.
- Desserrer les cinq (5) vis auto-foreuses de 5/16 po qui retiennent le ventilateur après le tuyau d'évacuation; une rallonge de douille de 12 po sera nécessaire pour atteindre toutes les vis.
- Lever le ventilateur d'évacuation pour le sortir du poêle. Le joint d'étanchéité entre le ventilateur et le tuyau d'évacuation est fragile; faire très attention en déposant le ventilateur. Même en faisant très attention, il est facile de déchirer le joint, et il est donc préférable de la changer (Pièce no - PU-CBG) à chaque dépose du ventilateur, car l'étanchéité est essentielle.
- Le ventilateur étant déposé, passer l'aspirateur pour enlever toute accumulation de cendres dans le tuyau d'évacuation.
- À l'aide d'un pinceau souple, nettoyer l'accumulation de cendres sur la pale et à l'intérieur du ventilateur.
- Inspecter le moteur du ventilateur et en enlever soigneusement la cendre, en s'assurant que tous les trous de refroidissement d'air du moteur sont ouverts et exempts de dépôts de poussière.
- Reposer le ventilateur dans l'ordre inverse. Ne pas oublier de vérifier l'état du joint d'étanchéité du ventilateur ET de reconnecter le capteur thermique avant de reposer le panneau latéral.

IMPORTANT! Lisez et suivez TOUTES les instructions pour l'installation et l'entretien, notamment celles portant sur le nettoyage de l'appareil à effectuer selon les directives et celles portant sur le remplacement des joints (annuellement) et des pièces (au besoin). England's Stove Works n'est pas responsable des dommages ni des blessures, quels qu'ils soient, subis en raison de négligence ou à cause d'une installation ou utilisation dangereuse de ce produit. Pour toute question, communiquez avec le service de soutien technique.

ENTRETIEN ANNUEL

Nettoyage du ventilateur de convection

Comme toujours, il faut être certain que l'appareil est froid et **débranché** avant l'entretien de composants de cet appareil. Comme aucun produit dérivé de la combustion ne passe par le ventilateur de convection, son nettoyage est moins poussé que celui du ventilateur d'évacuation. Cependant, la poussière de la maison et autres débris dans l'air peuvent s'accumuler sur ses pales. Le ventilateur de convection est situé sur le côté du poêle à l'opposé du ventilateur d'évacuation et dispose d'un panneau d'accès pour son nettoyage. La poussière accumulée sur les pales peut être facilement nettoyée à l'aide d'un aspirateur et d'un pinceau souple.

Nettoyage des particules de granules de la trémie et de la vis sans fin

Selon le type et la qualité des granules brûlés dans le poêle, des particules de granules et de la poussière peuvent s'accumuler dans la trémie. La partie inférieure de la vis sans fin, près de l'arrière du poêle, est l'endroit où s'accumuleront la plupart des particules. Le poêle étant éteint, **débranché**, complètement froid et la trémie vide, passer l'aspirateur d'atelier dans le tube de la vis sans fin. Si les particules ne peuvent être retirées de la partie supérieure de la trémie :

- Déposer le panneau arrière en retirant d'abord les trois vis qui fixent la plaque de protection de sortie d'évacuation. Ensuite, desserrer les quatre vis retenant le panneau arrière et lever et déposer celui-ci.
- Repérer l'ensemble moteur de la vis à l'arrière au centre du poêle et trouver ensuite les deux vis de blocage de chaque côté de collier de fixation en fonte.
- À l'aide d'une clé Allen de /16 po, desserrer les deux vis de blocage.
- Faire glisser l'ensemble de la vis sans fin hors de son tube juste assez pour pouvoir passer l'aspirateur afin d'enlever les particules.
- Reposer l'ensemble de la vis sans fin et resserrer les deux vis de blocage; reposer le panneau arrière et la plaque de protection de sortie d'évacuation, en vous assurant de serrer les sept (7) de retenue à l'arrière du poêle.

Joint d'étanchéité

Il est essentiel que les joints de la porte et du couvercle de la trémie soient étanches à l'air pour un bon rendement du poêle. Toute fuite d'air dans ces zones pourrait entraîner une combustion sale et inefficace et un risque sérieux à la sécurité. Il est donc nécessaire de maintenir ces joints d'étanchéité en bon état et doivent être remplacés annuellement, ou plus tôt si nécessaire. Pour vérifier que les joints sont hermétiques, utiliser la méthode du billet de banque :

- Placer un billet entre le joint et le corps du poêle (à l'endroit où le joint colle contre le poêle).
- Verrouiller le mécanisme et essayer de tirer le billet. S'il glisse facilement, il faut changer le joint. Il faut répéter ce test sur tout le périmètre des joints, car il peut être hermétique à un endroit, et usé et peu hermétique à un autre.

IMPORTANT! Lisez et suivez TOUTES les instructions pour l'installation et l'entretien, notamment celles portant sur le nettoyage de l'appareil à effectuer selon les directives et celles portant sur le remplacement des joints (annuellement) et des pièces (au besoin). England's Stove Works n'est pas responsable des dommages ni des blessures, quels qu'ils soient, subis en raison de négligence ou à cause d'une installation ou utilisation dangereuse de ce produit. Pour toute question, communiquez avec le service de soutien technique.

Guide de dépannage

AVERTISSEMENT : pour éviter une **DÉCHARGE ÉLECTRIQUE**, toujours *déconnecter* l'appareil de la source de courant **AVANT** de commencer une réparation.

Si ce guide ne vous permet pas de corriger le problème, appeler votre vendeur local ou notre

Assistance technique au 1-800-245-6489.

<u>Problème</u>	<u>Cause</u>	<u>Solution</u>
La vis sans fin ne tourne pas	<ol style="list-style-type: none"> 1. Moteur de la vis défectueux. 2. Matière étrangère bloquant la vis. 3. Capteur d'aspiration. 	<ol style="list-style-type: none"> 1. Remplacer le moteur de la vis. 2. Enlever les granules et l'objet. 3. Vérifier le ventilateur d'évacuation.
Odeur de fumée ou poussière dans la maison	<ol style="list-style-type: none"> 1. Raccordement d'évacuation défectueux. 	<ol style="list-style-type: none"> 1. Vérifier tous les raccords à la recherche de fuites, en particulier celui du ventilateur d'évacuation. Sceller au silicone, avec un collier de serrage ou du ruban aluminium.
Le ventilateur d'air ambiant ne fonctionne pas	<ol style="list-style-type: none"> 1. Capteur de chaleur lâche. 2. Réglage de la vitesse du ventilateur supérieur à celui de la plage de température, causant le refroidissement du poêle et le fonctionnement du ventilateur. 3. Connexion lâche. 	<ol style="list-style-type: none"> 1. Resserrer la connexion du capteur. 2. Ralentir la vitesse du ventilateur. 3. Vérifier les réglages du tableau.
Le ventilateur d'évacuation ne fonctionne pas	<ol style="list-style-type: none"> 1. Connexion lâche. 2. Ventilateur défectueux 3. Capteur d'aspiration défectueux 	<ol style="list-style-type: none"> 1. Vérifier les réglages du tableau. 2. Remplacer le ventilateur 3. Remplacer le capteur d'aspiration
Feu paresseux	<ol style="list-style-type: none"> 1. Ventilateur d'évacuation défectueux. 2. Humidité excessive des granules. 3. Trop d'accumulation de cendres. 4. Granules de qualité inférieure. 	<ol style="list-style-type: none"> 1. Remplacer le ventilateur. 2. Conserver les granules au sec. 3. Nettoyer soigneusement l'appareil. 4. Utiliser uniquement des granules approuvés PFI (Pellet Fuels Institute)
Fusible brûlé	<ol style="list-style-type: none"> 1. Surtension. 2. Fil exposé. 3. Court-circuit d'un composant électrique. 	<ol style="list-style-type: none"> 1. Remplacer le fusible; utiliser un parasurtenseur 2. Vérifier à la recherche d'un fil exposé ou effiloché et de connexions lâches. 3. Vérifier les moteurs et les ventilateurs à la recherche d'obstructions ou de courts-circuits.
Consommation élevée de granules	<ol style="list-style-type: none"> 1. Granules de qualité inférieure ou de tailles différentes. 	<ol style="list-style-type: none"> 1. Utiliser des granules de qualité supérieure ou d'une autre marque.
Grincement	<ol style="list-style-type: none"> 1. Obstruction dans le tube de la vis sans fin 2. Bruit du ventilateur. 	<ol style="list-style-type: none"> 1. Examiner le tube à la recherche d'objets étrangers 2. Déposer, nettoyer et huiler le ventilateur.
Cognement ou cliquetis	<ol style="list-style-type: none"> 1. Matière étrangère dans le ventilateur. 2. Vis de blocage desserrée du ventilateur d'évacuation. 	<ol style="list-style-type: none"> 1. Examiner les deux ventilateurs à la recherche de matière. 2. Vérifier le serrage de la vis de blocage.

IMPORTANT! Lisez et suivez TOUTES les instructions pour l'installation et l'entretien, notamment celles portant sur le nettoyage de l'appareil à effectuer selon les directives et celles portant sur le remplacement des joints (annuellement) et des pièces (au besoin). England's Stove Works n'est pas responsable des dommages ni des blessures, quels qu'ils soient, subis en raison de négligence ou à cause d'une installation ou utilisation dangereuse de ce produit. Pour toute question, communiquez avec le service de soutien technique.

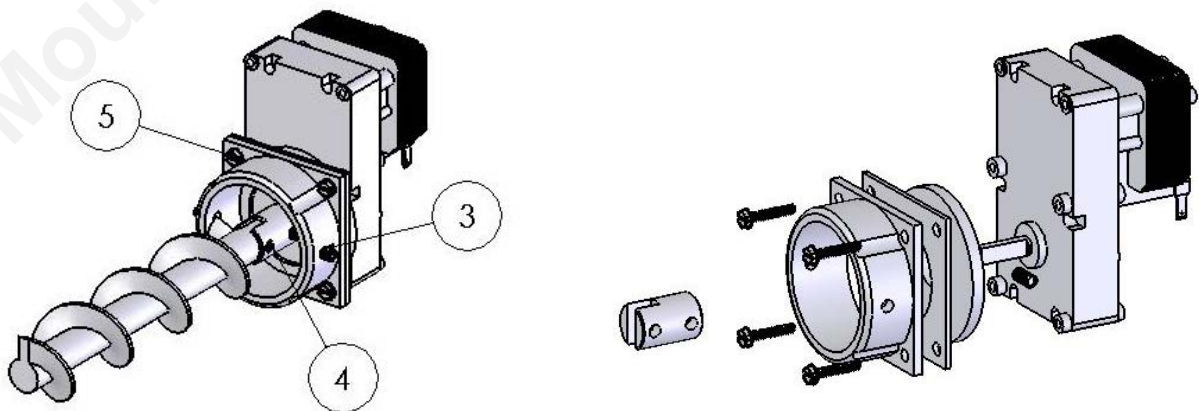
Code « E-1 » au tableau de commande	1. Puce manquante de dérivation d'aspiration.	1. Communiquer avec l'assistance technique.
L'appareil s'éteint en 15 à 20 minutes avec un code « E-2 » au tableau de bord.	1. Capteur thermique lâche. 2. Réglages du tableau de commande 3. Les granules ne s'enflamment pas.	1. Vérifier les deux côtés de la connexion du capteur thermique (ventilateur d'évacuation et tableau de bord). 2. Démarrer le poêle au degré de chaleur 5 minimal pour garantir un bon allumage du feu 3. Vérifier l'allumeur à la recherche d'accumulation ou d'une panne
Code « E-3 » au tableau de commande	1. Panne du ventilateur de convection (air ambiant). 2. Conduit de fumée partiellement obstrué 3. Utiliser un combustible autre que des granules de bois de qualité supérieure	1. Vérifier le bon fonctionnement du ventilateur de convection, remplacer au besoin. 2. Vérifier le conduit à la recherche d'obstruction. 3. Utiliser UNIQUEMENT des granules de bois de qualité supérieure dans ce poêle,
Code « E-4 » au tableau de commande (preuve de flamme perdue)	1. La trémie est vide. 2. Le couvercle de la trémie est resté ouvert trop longtemps pendant le remplissage. 3. Panne d'un composant 4. Le réglage de la vitesse du ventilateur est trop rapide, refroidissant le foyer trop rapidement	1. Remplir la trémie de granules et redémarrer le poêle. 2. Garder le couvercle ouvert le moins longtemps possible lors du remplissage. Le commutateur de sécurité arrête la vis sans fin lorsque le couvercle de la trémie est ouvert. 3. Une panne du moteur de la vis sans fin ou du moteur de combustion peut parfois entraîner un code « E-4 ». 4. Faire fonctionner le poêle avec la vitesse du ventilateur et la plage de température à la même valeur.
NOTES D'INSTALLATION		
1. Examiner également si le tuyau d'aspiration est lâche ou fissuré au commutateur d'aspiration lors d'une inspection ou d'un remplacement. Vérifier également que l'orifice de mesure de l'aspiration dans le foyer est propre (nettoyez-le avec un cure-pipe ou d'une brosse, ne pas utiliser un aspirateur pour nettoyer)		
2. Pour redémarrer ou effacer un code d'erreur affiché au tableau de commande, appuyer sur le bouton « ON ».		
3. Si vous avez d'autres questions, veuillez consulter notre site Web à www.englanderstoves.com , ou communiquer avec l'assistance technique au 800-245-6489.		

IMPORTANT! Lisez et suivez TOUTES les instructions pour l'installation et l'entretien, notamment celles portant sur le nettoyage de l'appareil à effectuer selon les directives et celles portant sur le remplacement des joints (annuellement) et des pièces (au besoin). England's Stove Works n'est pas responsable des dommages ni des blessures, quels qu'ils soient, subis en raison de négligence ou à cause d'une installation ou utilisation dangereuse de ce produit. Pour toute question, communiquez avec le service de soutien technique.

REEMPLACER DES COMPOSANTS

Moteur de la vis sans fin

1. Avant le début de tout remplacement de composant, il faut être certain que l'appareil est débranché et complètement refroidi. Veiller également à ce que la trémie soit vide avant de retirer ou de remplacer l'ensemble moteur de la vis sans fin.
2. Retirer le panneau arrière de l'appareil; avant de desserrer les boulons, détacher le faisceau de câbles du moteur de la vis.
3. Repérer l'ensemble moteur de la vis à l'arrière du poêle et commencer à desserrer les deux vis de blocage Allen de chaque côté de l'accouplement en fonte du moteur.
4. Faire glisser l'ensemble de la vis sans fin hors du tube.
5. Ensuite, retirer les quatre vis qui retiennent l'accouplement en fonte au moteur à l'aide d'une clé 5/16 po. Dégager du moteur l'accouplement en fonte et la plaque-entretoise en acier en les faisant glisser.
6. Desserrer la vis de blocage Allen qui retient l'accouplement en acier de la vis sans fin à l'arbre de sortie du moteur; retirer le coupleur ainsi que l'amortisseur de vibrations en caoutchouc.
7. Reposer les pièces en ordre inverse sur le nouveau moteur de la vis sans fin, en faisant attention à ne pas trop serrer les boulons qui retiennent l'accouplement en fonte de la vis sans fin au moteur.

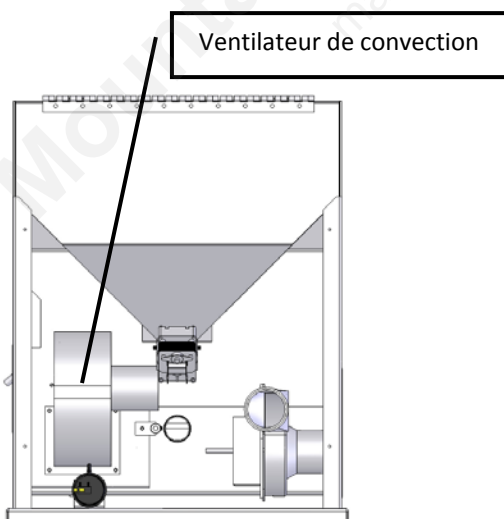


IMPORTANT! Lisez et suivez TOUTES les instructions pour l'installation et l'entretien, notamment celles portant sur le nettoyage de l'appareil à effectuer selon les directives et celles portant sur le remplacement des joints (annuellement) et des pièces (au besoin). England's Stove Works n'est pas responsable des dommages ni des blessures, quels qu'ils soient, subis en raison de négligence ou à cause d'une installation ou utilisation dangereuse de ce produit. Pour toute question, communiquez avec le service de soutien technique.

REEMPLACER DES COMPOSANTS

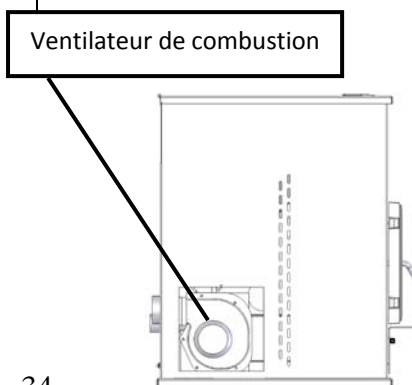
Ventilateur de convection

1. Avant le début de tout remplacement de composant, il faut être certain que l'appareil est débranché et complètement refroidi.
2. Retirer la plaque de protection arrière de sortie d'évacuation et le panneau arrière de l'appareil.
3. Détacher le ventilateur de convection du faisceau de câbles avant de desserrer les quatre vis qui le fixent au carénage de convection du poêle.
4. Après avoir retiré les quatre vis, déposer le ventilateur.
5. Procéder dans l'ordre inverse pour installer le nouveau ventilateur; ne pas oublier de reconnecter le faisceau de câbles.



Ventilateur de combustion

1. Avant de remplacer un composant, il faut être certain que l'appareil est débranché et complètement refroidi.
2. Retirer la vis de 5/16 po qui fixe la porte d'accès du ventilateur d'évacuation à l'appareil.
3. Déconnecter le système d'évent du ventilateur d'évacuation et déconnecter celui-ci du faisceau de câbles du poêle. Retirer la vis du capteur thermique au-dessus de la sortie du ventilateur à l'aide d'une clé de 5/16 po.
4. Retirer les cinq vis qui retiennent le ventilateur après le tuyau d'évacuation. Une fois les vis retirées, le ventilateur peut être sorti du poêle en le soulevant.
5. La réinstallation est le processus inverse des étapes précédentes; cependant, veiller à vérifier l'état du joint d'étanchéité du ventilateur d'évacuation et le remplacer au besoin.



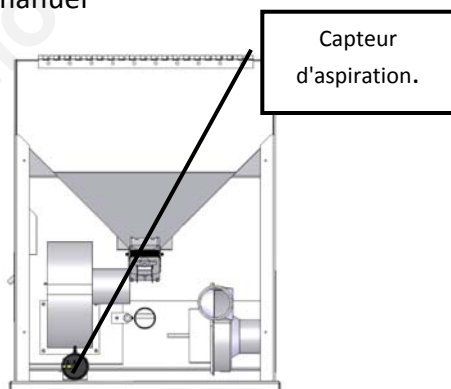
34

IMPORTANT! Lisez et suivez TOUTES les instructions pour l'installation et l'entretien, notamment celles portant sur le nettoyage de l'appareil à effectuer selon les directives et celles portant sur le remplacement des joints (annuellement) et des pièces (au besoin). England's Stove Works n'est pas responsable des dommages ni des blessures, quels qu'ils soient, subis en raison de négligence ou à cause d'une installation ou utilisation dangereuse de ce produit. Pour toute question, communiquez avec le service de soutien technique.

REEMPLACER DES COMPOSANTS

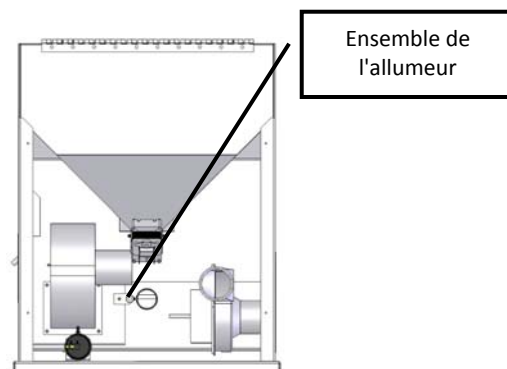
Capteur d'aspiration.

1. Avant de remplacer un composant, il faut être certain que l'appareil est débranché et complètement refroidi.
2. Retirer la plaque de protection de sortie d'évacuation et le panneau arrière de l'appareil.
3. Repérer le capteur d'aspiration comme illustré dans le schéma ci-dessous.
4. Déconnecter le faisceau de câbles et le tuyau d'aspiration du capteur d'aspiration, en prenant note de l'endroit des raccordements.
5. Retirer les deux vis qui retiennent le capteur après sa bride l'aide d'un tournevis Phillips.
6. La repose est l'inverse de la dépose; veiller à ce que les fils et le tuyau d'aspiration soient bien connectés selon le schéma de câblage de ce manuel



Allumeur

1. Avant de remplacer un composant, il faut être certain que l'appareil est débranché et complètement refroidi.
2. Retirer la plaque de protection de sortie d'évacuation et le panneau arrière de l'appareil.
3. Repérer l'allumeur comme illustré dans le schéma ci-dessous.
4. Déconnecter le câblage de l'allumeur du tableau de commande et retirer la vis retenant l'allumeur à l'aide d'une clé de 5/16 po.
5. Desserrer la vis de blocage Allen (clé Allen de 1/8 po) et déposer la vieille cartouche de l'allumeur.
6. Poser le nouvel allumeur dans son tube, resserrer la vis de blocage et reposer l'ensemble dans le poêle. Veiller à bien reconnecter les fils du nouvel allumeur au tableau de commande avant le remontage.



IMPORTANT! Lisez et suivez TOUTES les instructions pour l'installation et l'entretien, notamment celles portant sur le nettoyage de l'appareil à effectuer selon les directives et celles portant sur le remplacement des joints (annuellement) et des pièces (au besoin). England's Stove Works n'est pas responsable des dommages ni des blessures, quels qu'ils soient, subis en raison de négligence ou à cause d'une installation ou utilisation dangereuse de ce produit. Pour toute question, communiquez avec le service de soutien technique.

REEMPLACER DES COMPOSANTS

IMPORTANT : L'ENTRETIEN INADÉQUAT DES JOINTS, Y COMPRIS LE DÉFAUT DE REMPLACEMENT DES JOINTS, PEUT SE TRADUIRE PAR DES FUITES D'AIR CAUSANT DES RETOURS DE FUMÉE. VÉRIFIEZ SOUVENT QUE LES JOINTS SONT HERMÉTIQUEMENT SCELLÉS ET REMPLACEZ-LES AU BESOIN. IL EST ESSENTIEL DE REMPLACER LES JOINTS ANNUELLEMENT.

Joint d'étanchéité

1. Porte

- Cet appareil est livré avec un joint d'étanchéité cordé de $\frac{5}{8}$ po autour de la porte, qui doit être remplacé annuellement. Pour remplacer le joint de la porte (Pièce no AC-DGKNC), il faut retirer complètement le vieux joint — avant de mettre la nouvelle colle, vous pourriez devoir gratter le vieux ciment de la gorge de la porte. Une fois le ciment et le joint posés, il faut fermer la porte et la garder verrouillée pendant vingt-quatre heures pour laisser le ciment durcir.

2. Fenêtre

- Si vous remplacez le joint de fenêtre (Pièce no AC-GGK), le nouveau joint aura déjà de la colle sur une face. Retirer le papier du côté adhésif et poser le joint autour du bord extérieur du verre centré sur le bord. Replier les bords du joint contre le verre en formant un « U ».

3. Ventilateur de combustion

- Il faut inspecter le joint d'étanchéité du ventilateur de combustion (Pièce no PU-CBG) à chaque dépose ou nettoyage de ce ventilateur et le remplacer au besoin.

4. Moteur du ventilateur de combustion

- Le joint d'étanchéité du moteur du ventilateur de combustion (Pièce no PU-CMG) n'a généralement pas besoin d'être remplacé, car il n'est normalement pas déposé. Cependant, si le ventilateur d'évacuation est nettoyé en enlevant le moteur plutôt que l'ensemble du ventilateur, il faut inspecter ce joint et le changer au besoin.

5. Il est important de remplacer le joint du couvercle de la trémie et le joint de bac à cendres s'il présente des traces d'usure. Assurez-vous de remplacer le joint du couvercle de la trémie annuellement ou plus tôt, si nécessaire.

Fini

Cet appareil neuf a été peint avec une peinture haute température qui conservera son aspect original pendant des années. Si des taches de rouille apparaissent à cause de l'humidité, elles peuvent être poncées avec de la laine d'acier et repeintes. Seule une peinture haute température (Pièce no AC-MBSP) doit être utilisée, car d'autres pourraient ne pas adhérer à la surface ou supporter les températures élevées. De plus, certaines marques de peinture pourraient ne pas adhérer sur d'autres marques, c'est pourquoi nous recommandons notre peinture haute température en aérosol exclusive.

IMPORTANT! Lisez et suivez TOUTES les instructions pour l'installation et l'entretien, notamment celles portant sur le nettoyage de l'appareil à effectuer selon les directives et celles portant sur le remplacement des joints (annuellement) et des pièces (au besoin). England's Stove Works n'est pas responsable des dommages ni des blessures, quels qu'ils soient, subis en raison de négligence ou à cause d'une installation ou utilisation dangereuse de ce produit. Pour toute question, communiquez avec le service de soutien technique.

REEMPLACER DES COMPOSANTS

Vitre

La fenêtre de la porte de l'appareil est un panneau de vitre céramique (Pièce no AC-G17) ; le joint d'étanchéité autoadhésif de la fenêtre est fourni avec les fenêtres de rechange achetées à England's Stove Works. Ne jamais remplacer la vitre céramique par du verre trempé ou d'un autre type et ne jamais faire fonctionner l'appareil avec une vitre fissurée ou brisée.

Spécifications de la vitre céramique

- Dimensions de la vitre : 419,1 mm x 234,9 mm (16,50 po x 9,25 po)
- Type de verre : 5 mm de vitre céramique (Keralite Pyroceram)
- Fabricant du verre : Eurokera

Précautions concernant la vitre

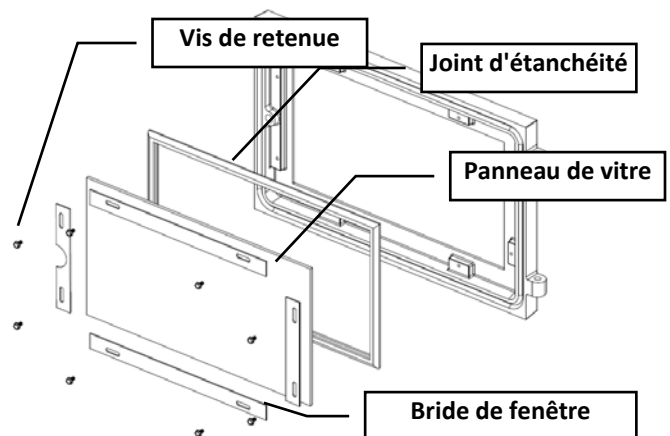
1. Ne jamais remplacer la vitre céramique par du verre trempé ou d'un autre type.
2. Ne jamais faire fonctionner l'appareil avec une vitre fissurée ou brisée.
3. Ne pas claquer la porte ou frapper la vitre avec un objet.

Nettoyage de la vitre

1. Être certain que le poêle **et** la vitre sont bien froids
2. Les dépôts sur le verre sont généralement légers et de l'eau est suffisante pour les nettoyer. Si de la suie tenace persiste, utiliser un nettoyant à cet effet. Ne pas gratter la vitre ni se servir de nettoyants abrasifs.
3. Rincer la vitre avec de l'eau propre et la sécher avant de reprendre un fonctionnement normal.

Remplacement de la vitre

1. Retirer la porte et la poser face vers le bas sur une surface solide
2. À l'aide d'une douille de 5/16 po, retirez les huit vis retenant les brides de la fenêtre.
3. Retirer les quatre brides de la fenêtre de la porte. Faire très attention pour éviter les éclats de verre si la vitre est brisée.
4. Retirer et jeter le vieux panneau de vitre.
5. Le nouveau panneau doit être entouré d'un joint en ruban de fibre de verre autoadhésif (PU-GGK). Ce joint sert de coussin entre la vitre et le porte en fonte.
6. Reposer les brides de fenêtre à l'aide des huit (8) vis précédemment enlevées. Ne pas trop les serrer.



IMPORTANT! Lisez et suivez TOUTES les instructions pour l'installation et l'entretien, notamment celles portant sur le nettoyage de l'appareil à effectuer selon les directives et celles portant sur le remplacement des joints (annuellement) et des pièces (au besoin). England's Stove Works n'est pas responsable des dommages ni des blessures, quels qu'ils soient, subis en raison de négligence ou à cause d'une installation ou utilisation dangereuse de ce produit. Pour toute question, communiquez avec le service de soutien technique.

REEMPLACER DES COMPOSANTS

Tableau de commande

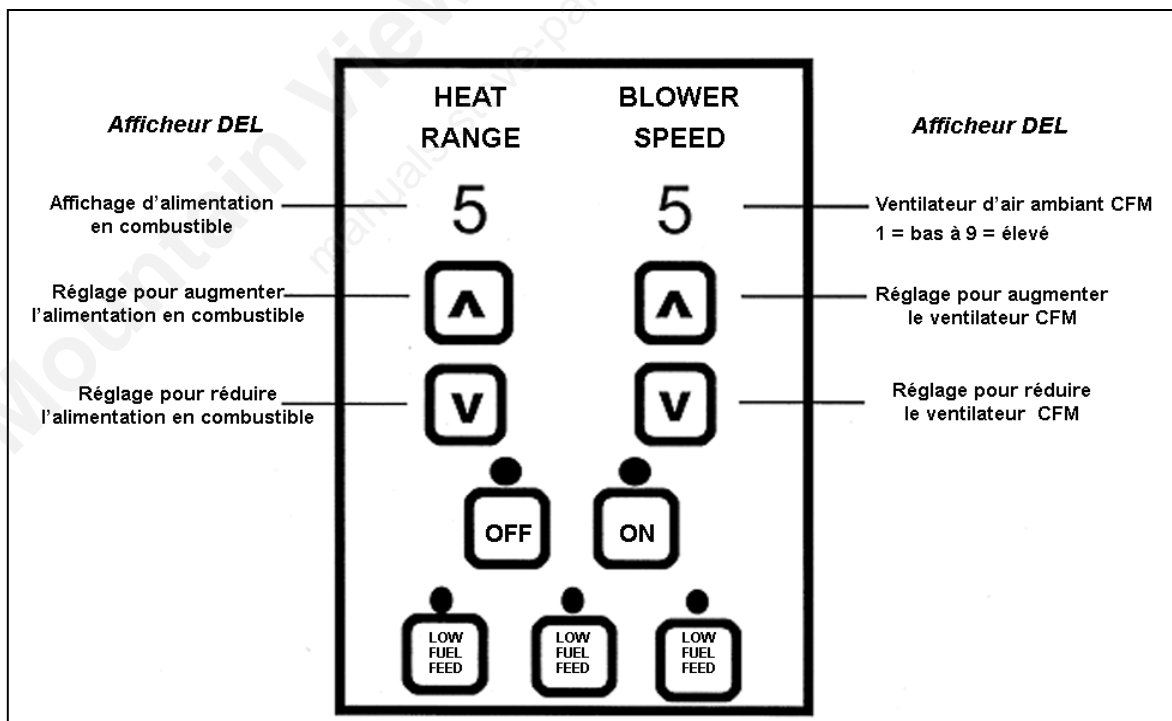
Le panneau de commande (Pièce no PAH-CB09) est un panneau à lecture numérique. Ce tableau offre de nombreux réglages pour faire fonctionner l'appareil. Le panneau d'accès latéral droit doit être enlevé avant de retirer le tableau de commande. Celui-ci peut être déposé de l'appareil en desserrant les deux vis extérieures et en tirant le panneau vers l'intérieur du poêle. Ce tableau de commande dispose d'un fusible de 6 A à « déclenchement rapide ».

NOTE : Les trois boutons de commande inférieurs sont pré-réglés en usine et ne sont pas réglables par l'utilisateur. Consulter le chapitre « Utilisation quotidienne » aux pages 16 et 17 du manuel pour plus de directives sur les réglages du tableau de commande.

Degrés de chaleur recommandés :

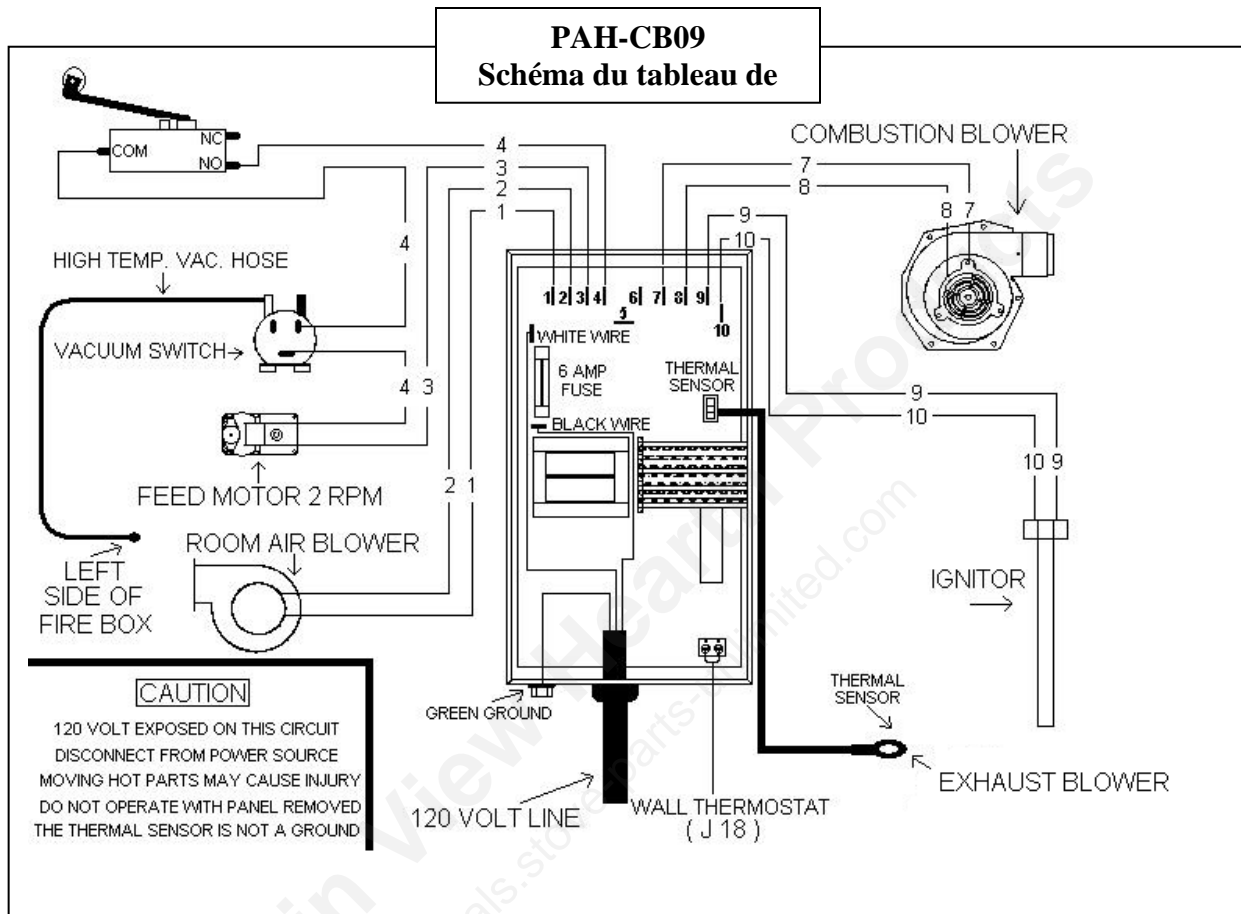
Combustion basse :	Réglage du degré de chaleur : 1	Réglage du ventilateur d'air ambiant : 1
Moyenne basse :	Réglage du degré de chaleur : 2 à 3	Réglage du ventilateur d'air ambiant : *
Moyenne haute :	Réglage du degré de chaleur : 4 à 8	Réglage du ventilateur d'air ambiant : *
Combustion haute :	Réglage du degré de chaleur : 9	Réglage du ventilateur d'air ambiant : 9

*NOTE : La vitesse du ventilateur s'ajustera automatiquement au degré de chaleur désiré.



IMPORTANT! Lisez et suivez TOUTES les instructions pour l'installation et l'entretien, notamment celles portant sur le nettoyage de l'appareil à effectuer selon les directives et celles portant sur le remplacement des joints (annuellement) et des pièces (au besoin). England's Stove Works n'est pas responsable des dommages ni des blessures, quels qu'ils soient, subis en raison de négligence ou à cause d'une installation ou utilisation dangereuse de ce produit. Pour toute question, communiquez avec le service de soutien technique.

SCHÉMA DU CÂBLAGE

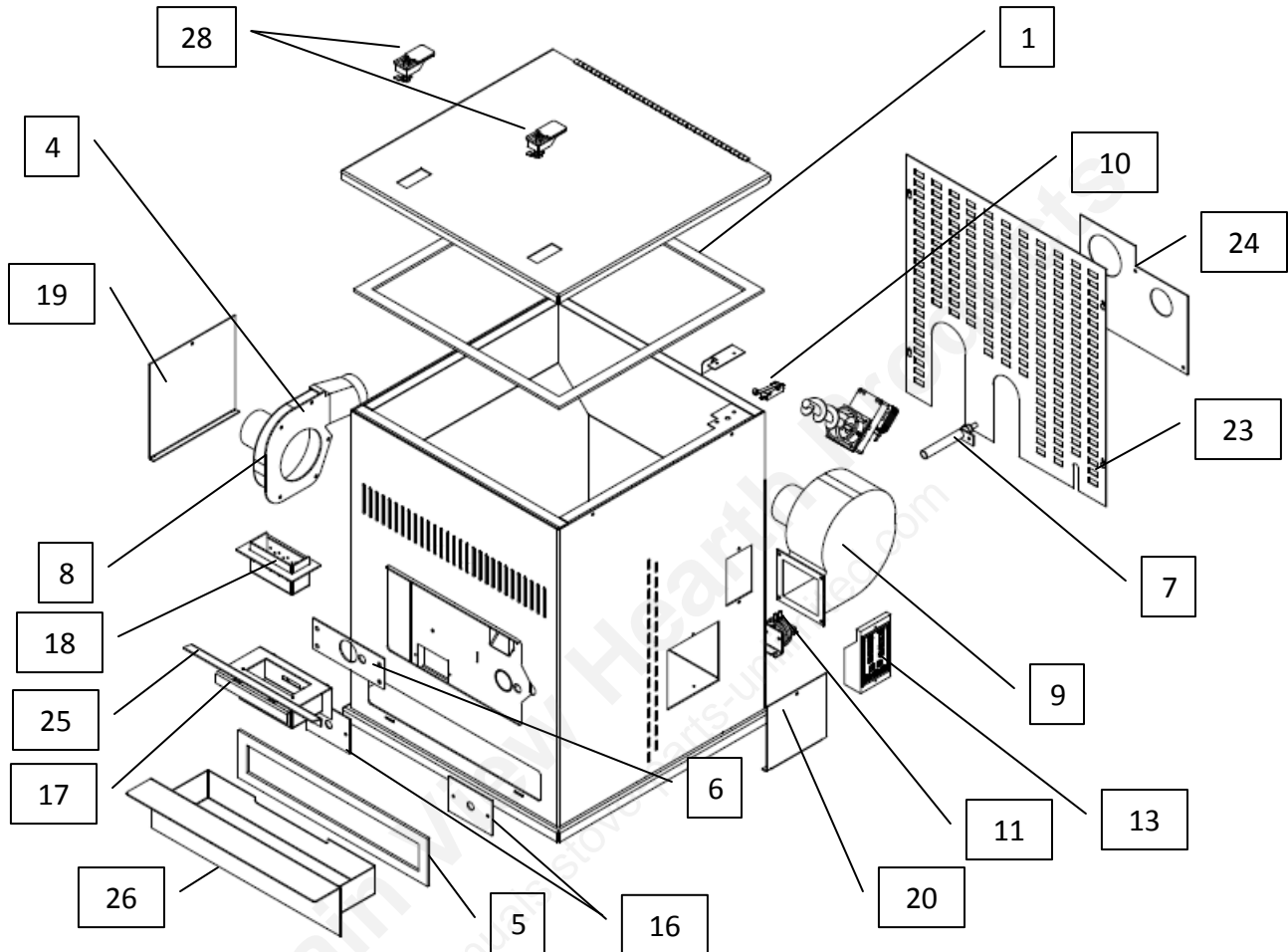


Mise en garde – Risque de décharge électrique

- Appuyer sur le bouton « Off » et laisser l'appareil refroidir complètement AVANT de le débrancher et commencer un entretien ou de remplacer une pièce.
- Il y a risque de décharge électrique si l'appareil n'est pas débranché.

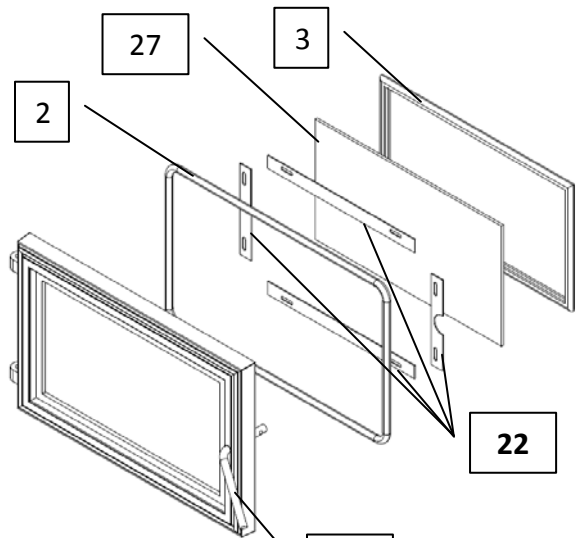
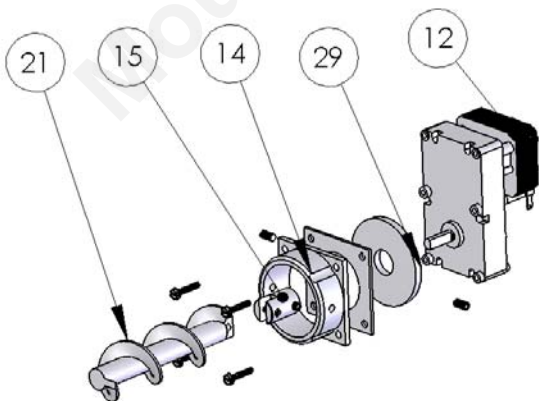
IMPORTANT! Lisez et suivez TOUTES les instructions pour l'installation et l'entretien, notamment celles portant sur le nettoyage de l'appareil à effectuer selon les directives et celles portant sur le remplacement des joints (annuellement) et des pièces (au besoin). England's Stove Works n'est pas responsable des dommages ni des blessures, quels qu'ils soient, subis en raison de négligence ou à cause d'une installation ou utilisation dangereuse de ce produit. Pour toute question, communiquez avec le service de soutien technique.

SCHÉMA DES PIÈCES ILLUSTRÉES



Ensemble moteur de la vis sans fin

Ensemble de la porte



IMPORTANT! Lisez et suivez TOUTES les instructions portant sur le nettoyage de l'appareil à effectuer selon les directives et celles portant sur le remplacement des joints (annuellement) et des pièces (au besoin). England's Stove Works n'est pas responsable des dommages ni des blessures, quels qu'ils soient, subis en raison de négligence ou à cause d'une installation ou utilisation dangereuse de ce produit. Pour toute question, communiquez avec le service de soutien technique.

LISTE DES PIÈCES DE RECHANGE

Numéro de pièce	Description de pièce	Schéma no
Joint d'étanchéité		
PU-HLG	Joint d'étanchéité du couvercle de trémie	1
AC-DGKNC	Joint d'étanchéité de la porte 5/8 po	2
AC-GGK	Kit de joint d'étanchéité de la fenêtre	3
PU-CBG	Joint d'étanchéité du ventilateur d'évacuation	4
AC-GGK	Joint d'étanchéité du cendrier	5
PU-CGEP	Joint d'étanchéité au contact du berceau	6
Composants électriques		
PU-CHA	Élément chauffant de la cartouche d'allumage	7
PU-076002B	Ventilateur d'évacuation	8
PU-4C447	Ventilateur d'air ambiant	9
AC-HLSB	Commutateur du couvercle de trémie	10
CU-VS	Capteur d'aspiration de 0,05 po (1,27 mm) de CE	11
CU-047042	Moteur 2 t/min. de la vis sans fin	12
PAH-CB09	Tableau de commande	13
Fonte et Acier		
CA-AMPP	Collier en fonte du moteur de la vis sans fin	14
CA-13	Porte en fonte	30
CA-AC	Accouplement en acier de la vis sans fin	15
PAH-ECC	Couvercle de nettoyage de l'évacuation	16
PAH-BPC	Berceau	17
PAH-BP	Chambre de combustion	18
PAH-EBAD	Porte d'accès au ventilateur de combustion	19
PAH-BAD	Porte d'accès au ventilateur de convection	20
PU-AFEP	Vis sans fin en acier	21
AC-GS13	Brides de support de vitre	22
PAH-RAP	Panneau d'accès arrière	23
PAH-ECP	Plaque de protection de sortie d'évacuation	24
PAH-AWB	Barre de lavage à l'air	25
PAH-AP	Cendrier	26
Verre et Divers		
AC-G17	Vitre de la fenêtre	27
PU-62-40-151-3	Loquet du couvercle de trémie	28
PU-VH	Tuyau d'aspiration à haute température	Non illustré
CU-RG	Amortisseur de vibrations en caoutchouc	29
AC-SHN	Poignée à ressort en nickel	Non illustré
AC-SH	Poignée à ressort en laiton	Non illustré
PU-PGB52	Emballage isolant du tuyau d'évacuation (PDV)	Non illustré

IMPORTANT! Lisez et suivez TOUTES les instructions pour l'installation et l'entretien, notamment celles portant sur le nettoyage de l'appareil à effectuer selon les directives et celles portant sur le remplacement des joints (annuellement) et des pièces (au besoin). England's Stove Works n'est pas responsable des dommages ni des blessures, quels qu'ils soient, subis en raison de négligence ou à cause d'une installation ou utilisation dangereuse de ce produit. Pour toute question, communiquez avec le service de soutien technique.

APPAREIL DE CHAUFFAGE À COMBUSTIBLE EN GRANULES
MODÈLE: 25-PAH, 55-SHPAH, 55-TRPAH



No DE SÉRIE _____
DATE FAB. _____

FABRIQUÉ PAR:
England's Stove Works, Inc.
P.O. Box 206
Monroe, VA 24574

TESTÉ À: ASTM 1509, ULC S627-00 et ULC/ORD-C1482-M90

CHAUFFAGE DE CHAMBRE, TYPE À GRANULES, AUSSI POUR LES MAISONS MOBILES.

EXIGENCES POUR L'UTILISATION - GRANULES DE 0,25 po (6,35 mm) UNIQUEMENT.
ÉVALUATION: 31 000 BTU/H CARACTÉRISTIQUES ÉLECTRIQUES: 120V, 60 Hz, 3,8A.

NE PAS ENLEVER OU MASQUER CETTE ÉTIQUETTE

- GARDER LE PORTE ET LE COUVERCLE DE LA TRÉMIE BIEN FERMÉS PENDANT LE FONCTIONNEMENT.
- IL FAUT POSER L'APPAREIL SUR UN PROTECTEUR NON COMBUSTIBLE DE PLANCHER SE PROLONGEANT DE 18 po (457 mm) À L'AVANT, 8 po (203 mm) SUR LES CÔTÉS ET 4 po (101,6 mm) À L'ARRIÈRE AVEC UNE VALEUR DE 0,2.
- COMMUNIQUER AVEC LE SERVICE LOCAL DE LA CONSTRUCTION OU LE SERVICE D'INCENDIE RELATIVEMENT AUX RESTRICTIONS ET À L'INSPECTION DE L'INSTALLATION DANS VOTRE QUARTIER.
- INSTALLER ET UTILISER UNIQUEMENT SELON LES DIRECTIVE D'INSTALLATION ET D'UTILISATION DU FABRICANT.
- SYSTÈME D'ÉVACUATION: 3 po MIN. TUYAU D'ÉVENT DE TYPE L OU P POUR POÈLE À GRANULES.
- INSTALLER À PLUS DE 76mm (3 po) DU MUR OU DU PLAFOND
- CONSULTER LE CODE DE CONSTRUCTION LOCAL ET LES DIRECTIVES DU FABRICANT POUR DE L'INFORMATION SUR LE SYSTÈME D'ÉVACUATION ET POUR PASSER UNE CHEMINÉE OU UN RACCORD À TRAVERS UN MUR OU UN PLAFOND COMBUSTIBLE.
- INSPECTER ET NETTOYER FRÉQUEMMENT LE SYSTÈME D'ÉVACUATION.
- NE PAS RACCORDER CET APPAREIL À UNE CHEMINÉE OU UN CONDUIT QUI SERT À UN AUTRE APPAREIL.
- LE CORDON D'ALIMENTATION ÉLECTRIQUE DOIT ÊTRE ÉLOIGNÉ DE L'APPAREIL.
- CONSULTER LE MANUEL DU PROPRIÉTAIRE POUR UN COMPLÈMENT D'INFORMATION SUR LES ESPACEMENTS.
- SATISFAIT AUX EXIGENCES DE L'EPA CONCERNANT LES PARTICULES POUR LES POÈLES À BOIS FABRIQUÉS APRÈS LE 1 ER JUILLET, 1990 SELON EPA 40 CFR 60.533(H).

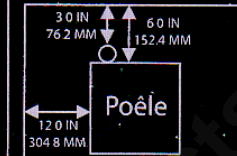
MISE EN GARDE: GARDER LES PORTES BIEN FERMÉES PENDANT LE FONCTIONNEMENT. CONSULTER LE MANUEL DU PROPRIÉTAIRE POUR DES INSTRUCTIONS RELATIVES AUX COMMANDES DE SORTIE DE CHALEUR. N'UTILISER CETTE UNITÉ QU'AVEC LE COUVERCLE DE LA TRÉMIE FERMÉ. OMETTRE DE LE FAIRE POURRAIT ENTRAÎNER L'ÉMISSION DE PRODUITS DE COMBUSTION DE LA TRÉMIE SOUS CERTAINES CONDITIONS. GARDER LE JOINT D'ÉTANCHÉITÉ DE LA TRÉMIE EN BON ÉTAT. NE PAS TROP CHARGER LA TRÉMIE.



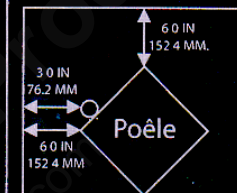
MISE EN GARDE: CHAUD LORSQU'IL FONCTIONNE. L'ÉCART LES ENFANTS, LES VÊTEMENTS ET LE MOBILIER. LE CONTACT PEUT CAUSER DES BRÛLURES DE LA PEAU. VOIR LA PLAQUE SIGNALÉTIQUE ET LES DIRECTIVES.

IGN

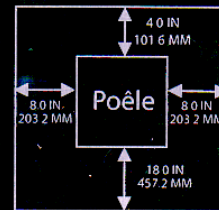
INSTALLER AVEC DES ESPACEMENTS MINIMAUX DES MURS COMME ILLUSTRÉ,



INSTALLATION MUR LATÉRAL - MUR ARRIÈRE



INSTALLATION EN COIN



PROTECTION DU PLANCHER

IMPORTANT! Lisez et suivez TOUTES les instructions pour l'installation et l'entretien, notamment celles portant sur le nettoyage de l'appareil à effectuer selon les directives et celles portant sur le remplacement des joints (annuellement) et des pièces (au besoin). England's Stove Works n'est pas responsable des dommages ni des blessures, quels qu'ils soient, subis en raison de négligence ou à cause d'une installation ou utilisation dangereuse de ce produit. Pour toute question, communiquez avec le service de soutien technique.

GARANTIE LIMITÉE À CINQ (5) ANS

À l'acheteur initial à dater de l'achat

Le fabricant offre les garanties suivantes :

Période de cinq ans :

1. L'acier au carbone et les soudures du foyer sont garantis pendant cinq (5) ans contre la fissuration.
2. L'acier au carbone et les soudures du foyer sont couverts pendant cinq (5) ans contre la fissuration.

Période d'un an :

1. Les pièces comme la trémie, la chambre de combustion, le déflecteur, les arbres et les coussinets et les fixations sont garanties pendant un (1) an contre le fendillement, le bris et l'ouverture des soudures.
2. Les composants électriques, les accessoires, le verre et la surface peinte sont garantis pendant un (1) an à dater de l'achat.

Conditions et exclusions :

1. Les dommages dus à la surchauffe annuleront la garantie.
2. Cette garantie ne s'applique pas en cas de dommage causé par un accident, une mauvaise manipulation, une installation défectueuse, une mauvaise utilisation, un abus, ou une réparation non autorisée faite ou tentée d'être faite.
3. Le fabricant n'est pas responsable des dommages indirects, accessoires ou immatériels en regard avec le produit, y compris des coûts et dépenses pour fournir du matériel ou du service de remplacement pendant les périodes de fonctionnement défectueux ou de non utilisation.*

IMPORTANT! Lisez et suivez TOUTES les instructions pour l'installation et l'entretien, notamment celles portant sur le nettoyage de l'appareil à effectuer selon les directives et celles portant sur le remplacement des joints (annuellement) et des pièces (au besoin). England's Stove Works n'est pas responsable des dommages ni des blessures, quels qu'ils soient, subis en raison de négligence ou à cause d'une installation ou utilisation dangereuse de ce produit. Pour toute question, communiquez avec le service de soutien technique.

4. Toute responsabilité pour des dommages indirects pour bris de garantie écrite ou implicite est déclinée et exclue.

- Certains états (ou provinces) n'autorisent pas l'exclusion ou la restriction des dommages accessoires ou indirects; par conséquent, la restriction ou les exclusions ci-dessus pourraient ne pas s'appliquer à vous.

Procédure :

L'acheteur doit envoyer un avis de réclamation de défaut durant la période de garantie et payer le transport aller-retour au centre de service désigné par le fabricant. Le vendeur auquel vous avez acheté l'appareil ou l'usine, à notre choix, exécutera le service relatif à la garantie.

Autres droits :

Cette garantie vous donne des droits spécifiques et vous pourriez également avoir d'autres droits qui peuvent varier selon les états et les provinces.

Veuillez noter : cette garantie est nulle et non avenue si vous ne retournez pas l'enregistrement de la garantie et une copie de votre facture dans les trente (30) jours à dater de l'achat.

La garantie n'est pas transférable.

IMPORTANT! Lisez et suivez TOUTES les instructions pour l'installation et l'entretien, notamment celles portant sur le nettoyage de l'appareil à effectuer selon les directives et celles portant sur le remplacement des joints (annuellement) et des pièces (au besoin). England's Stove Works n'est pas responsable des dommages ni des blessures, quels qu'ils soient, subis en raison de négligence ou à cause d'une installation ou utilisation dangereuse de ce produit. Pour toute question, communiquez avec le service de soutien technique.

ENREGISTREMENT DE GARANTIE pour England's Stove Works®

Coordonnées de l'acheteur

I. Acheté par (Nom) _____

II. Adresse _____

III. Ville _____ Province/État _____ Code postal _____

IV. Numéro de téléphone _____

V. Adresse courriel _____

Coordonnées du vendeur

VI. Acheté de _____

VII. Adresse _____

VIII. Ville _____ Province/État _____ Code postal _____

Information sur l'appareil

IX. Numéro de modèle _____ Date d'achat _____

X. Prix d'achat _____

XI. Numéro de série _____ Date de fabrication _____

Questions sur l'achat

Comment avez-vous entendu parler de notre produit? (Veuillez cocher une case)

Bouche à oreille _____ Bande-annonce _____ Internet _____

Autre : _____

Comment avez-vous reçu l'information au sujet de notre produit?

Par téléphone _____ Par un vendeur (Nom du vendeur) _____ Internet _____

Autre : _____

45

IMPORTANT! Lisez et suivez TOUTES les instructions pour l'installation et l'entretien, notamment celles portant sur le nettoyage de l'appareil à effectuer selon les directives et celles portant sur le remplacement des joints (annuellement) et des pièces (au besoin). England's Stove Works n'est pas responsable des dommages ni des blessures, quels qu'ils soient, subis en raison de négligence ou à cause d'une installation ou utilisation dangereuse de ce produit. Pour toute question, communiquez avec le service de soutien technique.

Avis important

Ce dossier **DOIT** contenir cette information d'enregistrement pour que cette garantie soit valide. Veuillez poster cette information dans les trente (30) jours à dater de l'achat.

Utiliser un de ces trois moyens faciles pour faire parvenir votre information de garantie!

Adresse de courrier

England's Stove Works, Inc.
Technical Support Department
P.O. Box 206
Monroe, VA 24574

Télécopieur

(434) 929-4810 – 24 heures par jour

Inscription en ligne

Consulter notre site Web d'enregistrement de garantie à:

<http://www.englishstoves.com/warranty/warranty.html>

IMPORTANT! Lisez et suivez TOUTES les instructions pour l'installation et l'entretien, notamment celles portant sur le nettoyage de l'appareil à effectuer selon les directives et celles portant sur le remplacement des joints (annuellement) et des pièces (au besoin). England's Stove Works n'est pas responsable des dommages ni des blessures, quels qu'ils soient, subis en raison de négligence ou à cause d'une installation ou utilisation dangereuse de ce produit. Pour toute question, communiquez avec le service de soutien technique.