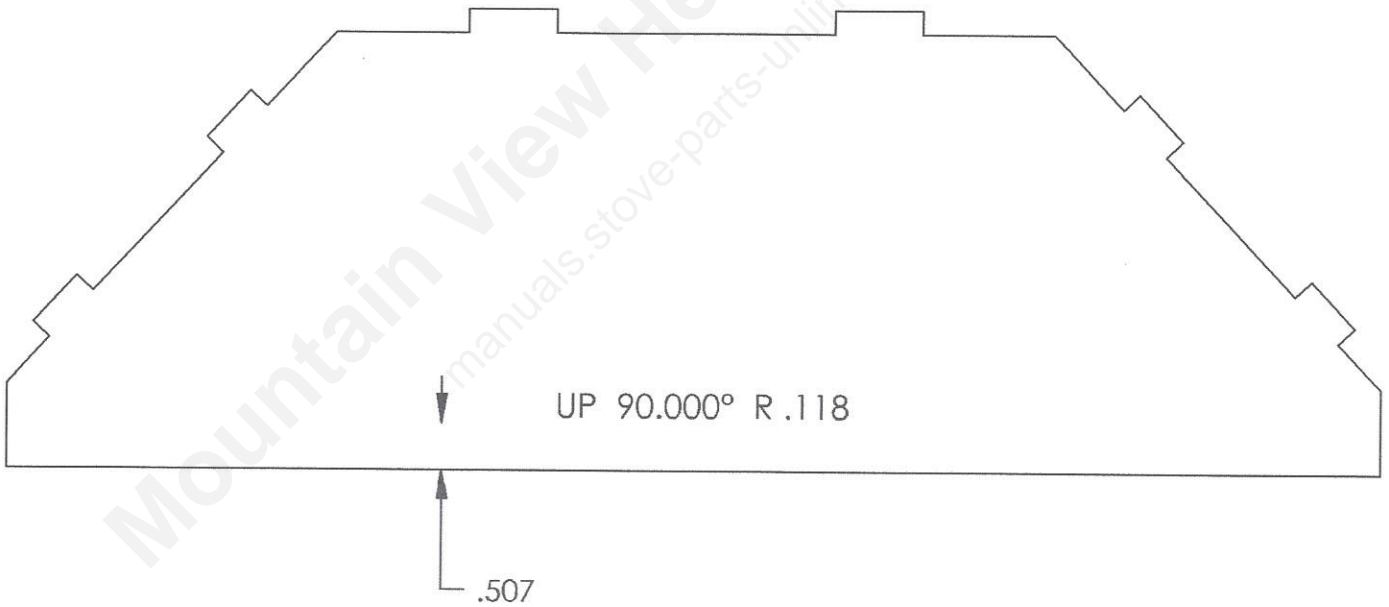
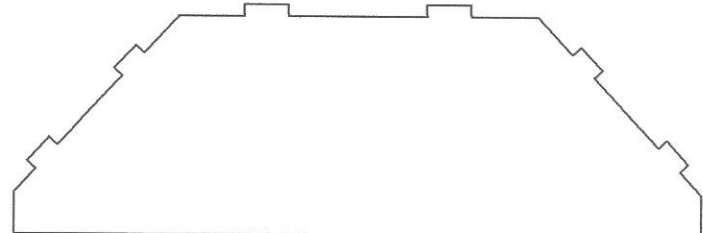
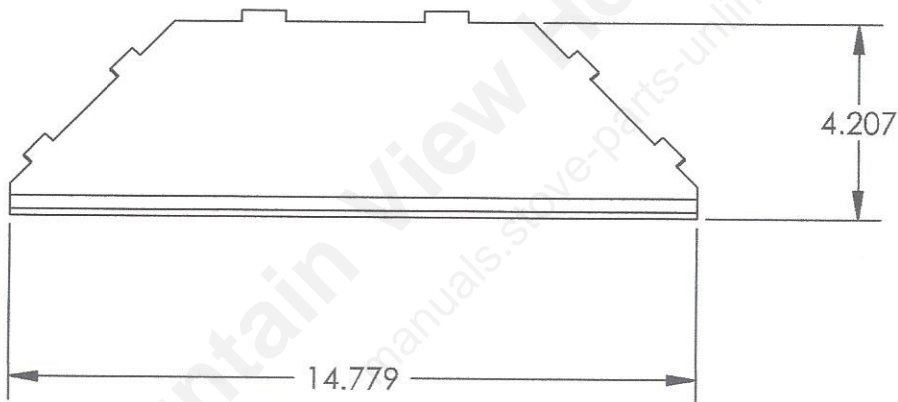
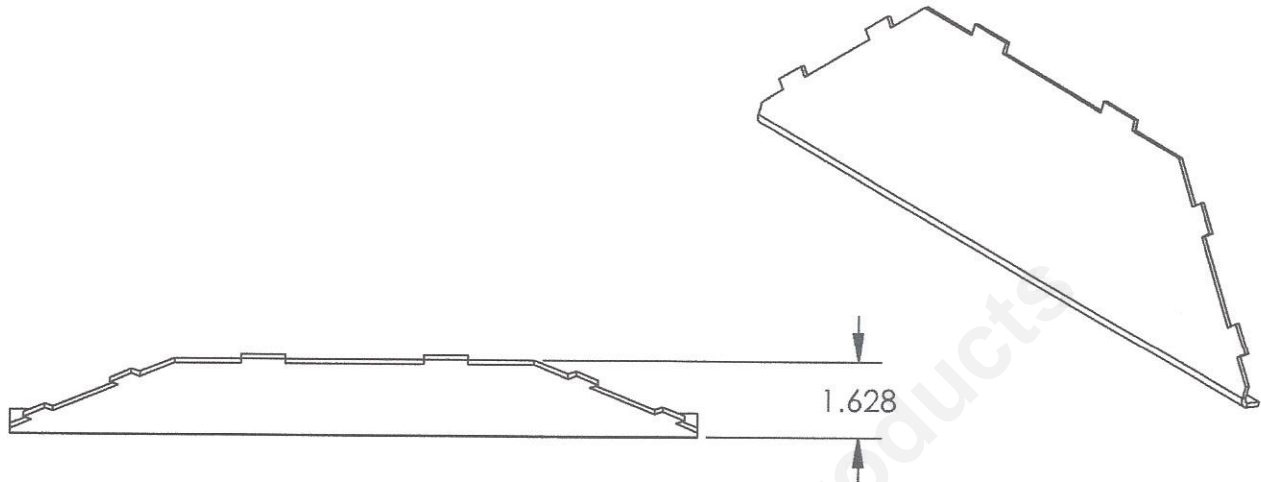


STATION	DIMENSION	ANGLE	BEND	RAG	PUNCH LENGTH	DIE LENGTH	PUNCH POS.
1							
2							
3							
4							
5							
6							
7							
8							
9							
10							



Light Guard <input type="checkbox"/>	Support Table <input type="checkbox"/>	DATE: 05/08/2010	BY: MG	SHERWOOD INDUSTRIES LTD.
Other <input type="checkbox"/>	6mm Shut Height <input type="checkbox"/>	SPECIAL NOTE:		
Notes:		PART #	12-11592-AZ	
# OF FINGERS :		DESC	BAFFLE	
PUNCH RADIUS :				
DIE OPEN :				

THIS DRAWING IS THE PROPERTY OF SHERWOOD INDUSTRIES LTD. AND MAY NOT BE COPIED, REPRODUCED, OR OTHERWISE DISCLOSED WITHOUT THE PRIOR APPROVAL OF SHERWOOD INDUSTRIES LTD.



FLAT PATTERN

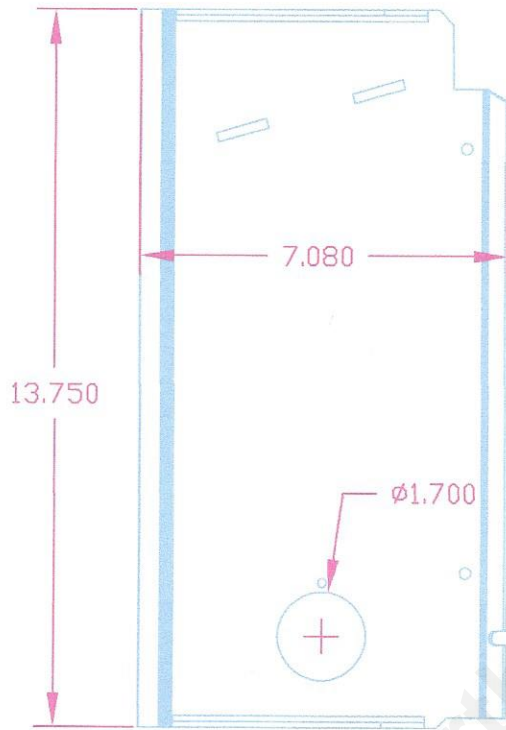
PROCESS PATH:	STATION:
STATION 1	BRAKES (KIRKPATRICK)
STATION 2	PAINT BOOTH 2
STATION 3	ASSEMBLY LINE
STATION 4	
STATION 5	
STATION 6	
STATION 7	
STATION 8	
STATION 9	
STATION 10	

DATE: 05/08/2010 BY MG SHERWOOD INDUSTRIES LTD.

SPECIAL NOTE:

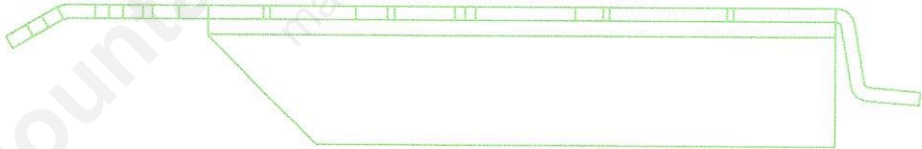
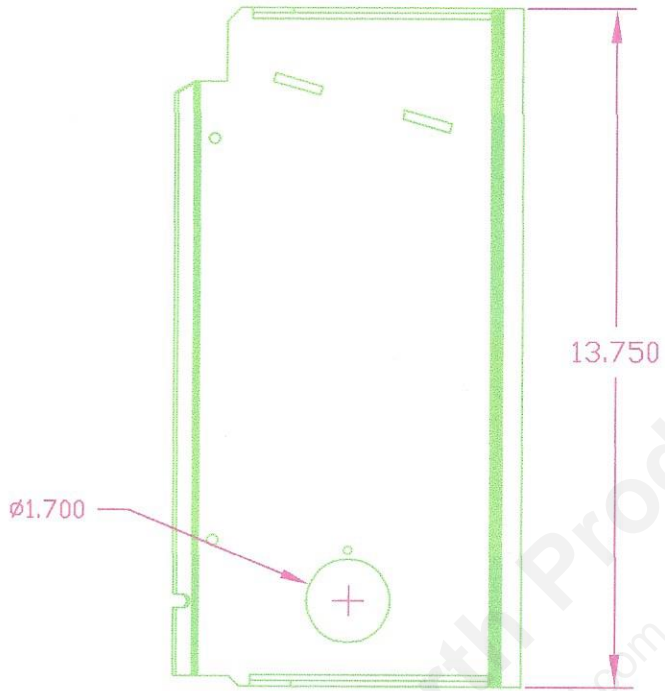
PART #	12-11592-AZ
DESC.	BAFFLE

THIS DRAWING IS THE PROPERTY OF SHERWOOD INDUSTRIES LTD. AND MAY NOT BE COPIED, REPRODUCED, OR OTHERWISE DISCLOSED WITHOUT THE PRIOR APPROVAL OF SHERWOOD INDUSTRIES LTD.



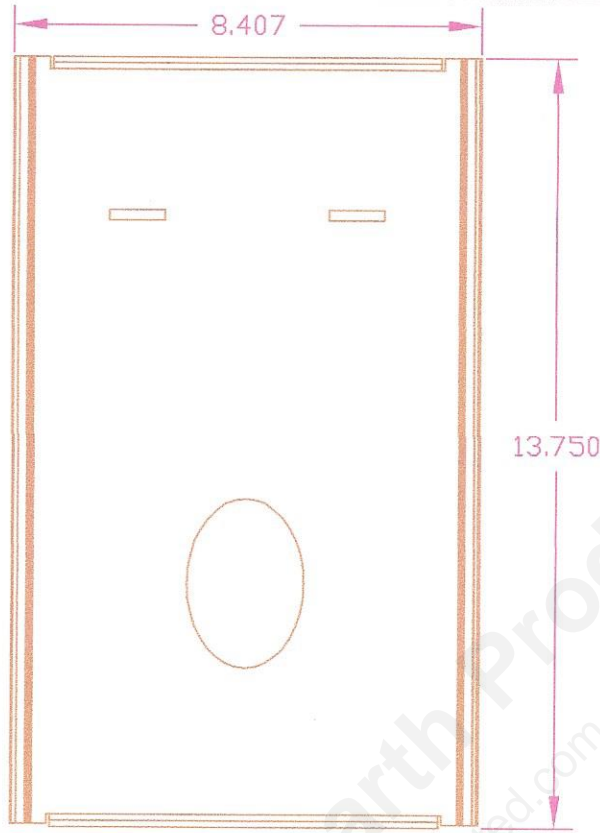
DATE 03/01/07	BY DGW	SHERWOOD INDUSTRIES LTD.
Special Note		
RIGHT FIREBOX SEPARATOR		
PART NO. : 12-11579-AZ		

THIS DRAWING IS THE PROPERTY OF SHERWOOD INDUSTRIES LTD. AND MAY NOT BE COPIED, REPRODUCED, OR OTHERWISE DISCLOSED WITHOUT THE PRIOR APPROVAL OF SHERWOOD INDUSTRIES LTD.



DATE 03/01/07	BY DGW	SHERWOOD INDUSTRIES LTD.
Special Note		
LEFT FIREBOX SEPARATOR		
PART NO. : 12-11578-AZ		

THIS DRAWING IS THE PROPERTY OF SHERWOOD INDUSTRIES LTD. AND MAY NOT BE COPIED, REPRODUCED, OR OTHERWISE DISCLOSED WITHOUT THE PRIOR APPROVAL OF SHERWOOD INDUSTRIES LTD.



DATE 03/01/07	BY DGW	SHERWOOD INDUSTRIES LTD.
Special Note		
CENTER FB SEPARATOR		
PART NO. : 12-11577-AZ		

THIS DRAWING IS THE PROPERTY OF SHERWOOD INDUSTRIES LTD. AND MAY NOT BE COPIED, REPRODUCED, OR OTHERWISE DISCLOSED WITHOUT THE PRIOR APPROVAL OF SHERWOOD INDUSTRIES LTD.