

ENVIRO FIRE

WARNOCK HERSEY



PELLET STOVE

EF-II i

OWNER'S TECHNICAL MANUAL



SHERWOOD INDUSTRIES LTD.

6782 OLDFIELD ROAD
VICTORIA, BRITISH COLUMBIA
V8M-2A3

ENVIROFIRE INSTALLATION MANUAL

TABLE OF CONTENTS

INTRODUCTION

Important Safety Data.....	3
Pellet Quality	4
Warnings and Recommendations.....	5
Automatic Safety Features	5

OPERATION

How to Start Your Pellet Stove	6
Turning Your Pellet Stove Off.....	6
Slider Damper.....	7

SPECIFICATIONS / MAINTENANCE

Areas for Routine Maintenance	8-9
Electrical Component Functions	10-11

INSTALLATION

Deciding Where to Locate Your Pellet Stove.....	12
Vent Termination Requirements	12
Removing Your New Stove From It's Pallet.....	13
Masonry Fireplace Insert Installation	14
Assembling the Face Plate for the FPI and BIH	15
Model BIH Recommended Framing	16
Built In Heater Installation, Model BIH	16
Clearances and Alcove Clearances.....	17
Model FS (freestanding) Installation	18
Horizontal Exhaust through the Wall	19-20
Freestanding Inside Vertical Installation	21
Freestanding Outside Vertical Pipe Installation	22
Mobile Home Installation	23
Outside Fresh Air Connections.....	23
Troubleshooting.....	24-26
Wiring Diagram.....	27
Warranty	28

October 1998

IMPORTANT SAFETY DATA

Please read this entire manual before installation and use of this pellet fuel burning room heater. Failure to follow these instructions could result in property damage, bodily injury or even death.

CAUTION: DO NOT CONNECT OT ANY AIR DISTRIBUTION DUCT OR SYSTEM;
DO NOT BURN GARBAGE OR FLAMABLE FLUIDS SUCH AS GASOLINE, NAPTHA OR ENGINE OIL;
HOT WHILE IN OPERATION. KEEP CHILDREN, CLOTHING AND FURNITURE AWAY.
CONTACT MAY CAUSE SKIN BURNS.

Contact local building officials about restrictions and installation inspection requirements in your area.

The stove's exhaust system works with negative combustion chamber pressure and a slightly positive chimney pressure, it is very important to ensure that the exhaust system be sealed and airtight.

The use of grates or other methods of supporting the fuel is not permitted.

This unit is designed to burn pelletized wood fuel only. Do not use any other type of fuel, this will void any warranties stated in this manual.

THE USE OF CORDWOOD IS PROHIBITED BY LAW.

Do not burn with insufficient combustion air. A periodic check is recommended to ensure proper combustion air is admitted to the combustion chamber. Setting the proper combustion air is achieved by adjusting the slide damper located on the left side of the stove.

It is advisable to clean the exhaust vent bi-annually or every two tons of pellets.

The grounded electrical cord should be connected to a standard 115 volts, 60-hertz electrical outlet. Be careful that the electrical cord is not trapped under the appliance and that it is clear of any hot surfaces or sharp edges. This unit's maximum power requirement is 450 watts.

Soot or creosote may accumulate when the stove is operated under incorrect conditions such as an extremely rich burn (black tipped, lazy orange flames).

When installing the stove in a mobile home, it must be electrically grounded to the steel chassis of the home and bolted to the floor. Make sure that the structural integrity of the home is maintained.

Be sure to maintain the structural integrity of home when passing a vent through walls, ceilings, or roofs.

The ash pan and viewing door must be locked securely for proper and safe operation of the pellet stove.

If you have any questions with regards to your stove or the above-mentioned information, please feel free to contact your local dealer for further clarification and comments.

Since Sherwood Industries Ltd. has no control over the installation of your stove, we grant no warranty implied or stated for the installation or maintenance of your stove, therefore, Sherwood Industries Ltd. assumes no responsibility for any consequential damage.

SAVE THESE INSTRUCTIONS FOR FUTURE REFERENCE

PELLET QUALITY IS IMPORTANT, PLEASE READ THE FOLLOWING PAGE

Your pellet stove has been designed to burn wood pellets only. Since there are many manufacturers of wood pellets it is important to select pellets that are free of dirt or any impurities. The Pellet Fuel Industries (P.F.I.) has established standards for wood pellet manufactures. We recommend the use of pellets that meet or exceed these standards. Ask your dealer for a recommended pellet type.

THE PERFORMANCE OF YOUR PELLET STOVE IS GREATLY EFFECTED BY THE TYPE AND QUALITY OF WOOD PELLETS BEING BURNED. AS THE HEAT OUTPUT OF VARIOUS QUALITY WOOD PELLETS DIFFER, SO WILL THE PERFORMANCE AND HEAT OUTPUT OF THE PELLET STOVE.

Since Sherwood Industries Ltd. has no control over the quality of pellets that you use, we assume no liability caused by the quality of wood pellets used.

P.F.I. PELLET STANDARDS:

Fines	1% maximum through a 1/8" screen
Bulk Density	40 lbs. per cubic foot minimum
Size	1/4" to 3/8" diameter 1 – 1.5" long maximum
Ash Content	1% maximum
Moisture Content.....	8% maximum
Heat Content.....	approximately 8200 Btu per lb. minimum

Check the burn-pot liner periodically to ensure that the holes are not blocked with clinkers, (clinkers are silica in the fuel that forms a hard mass during the burning process). If they are blocked, remove the liner (when the unit is cold) and clean the clinkers out. The liner should be cleaned or scraped once every 2-3 days depending on wood pellet quality. Clean the holes in the lines with a small pointed object.

Store pellets at least 36" (1 m) away from the pellet stove.

WARNINGS AND RECOMMENDATIONS

- A. Do not abuse the glass by striking or slamming the door shut.
- B. Do not attempt to operate the stove with broken glass.
- C. Do not attempt to open the door and clean the glass while the unit is in operation. If you must clean the glass, use a soft cotton cloth and mild window cleaner.
- D. Do not use abrasive cleaners to clean the surface or any part of the stove.
- E. It is recommended that the unit be secured into its position in order to avoid any displacement.
- F. Never use gasoline, gasoline-type lantern fuel, kerosene, or similar liquids to start the fire. Keep all such liquids well away from the pellet stove while it is in use.
- G. **Disposal of ashes** - Ashes should be placed in a metal container with a tight fitting lid. The closed container of ashes should be on a non-combustible floor or on the ground, well away from all combustible materials pending final disposal. If the ashes are disposed of by burial in soil or otherwise locally dispersed, they should be retained in the closed container until all cinders have thoroughly cooled.
- H. Make sure the ash pan is closed tightly during the operation of the stove.
- I. Fresh air intake is strongly recommended. Failure to install Intake air may result in improper combustion as well as the unit the unit smoking during power failures.
NOTE: Fresh air is mandatory on all units installed in "Mobile Homes" as well as "Air Tight" homes.
- J. **GOLD BARS:** Clean all fingerprints off of all the gold parts before firing each time. Fingerprints etc. can become etched in the gold if not removed before operating the pellet heater.
- K. **BRICK PANEL:** The paint on the steel brick panel may peel, this is due to the extreme conditions applied to the paint and is in no way covered under warranty.

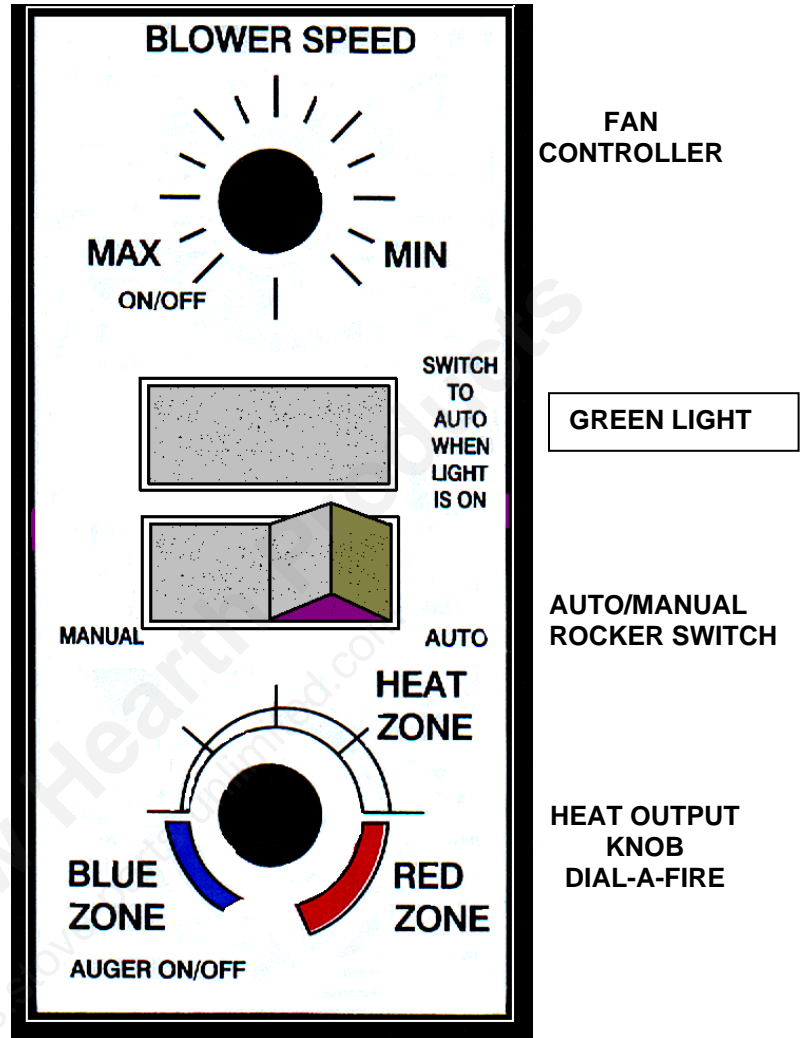
AUTOMATIC SAFETY FEATURES OF YOUR PELLET STOVE

- A. With the auto/manual switch in the auto position, the stove will shut off when the fire goes out and the exhaust temperature drops below 120° F (49°C). If the switch is in the manual position, the stove will continue to feed pellets into the burn pot after the exhaust temperature drops below 120° F (49°C) and the ignitor will reheat.
- B. The stove has a high temperature safety switch. If the temperature at the back of the firebox reaches 200° F (93°C), the auger will automatically stop, and the stove will shut down when the exhaust temperature cools. If this happens, call your local dealer to reset the 200° F (93°C) high limit switch. **ALSO FIND THE REASONS WHY THE UNIT OVERHEATED.**
- C. The stove has a convection fan control over-ride. This function causes the convection fan to reach its full speed when the temperature at the back of the firebox reaches 160° F (71°C). This is a normal safety feature of your unit. To compensate for the fan cycling action that may occur, turn up the blower control proportionately to the heat output.

If the power goes out, the stove will stop running. When the power comes back on, the stove will not restart if the switch is in the auto position and the exhaust temperature is below 120° F (49°C). If the exhaust temperature is above 120° F (49°C) or the switch is in the manual position, the stove will start to feed pellets again and may re-light itself

HOW TO START YOUR PELLETT APPLIANCE

1. Fill hopper with pellets.
2. Switch the power on by pushing the rocker switch to the manual position.
3. Turn Dial A Fire knob to the 12 o'clock position. (The lower grade pellets may need a higher setting on the feed rate.)
4. Approximately 15 minutes after the fire was lit, the green light should come on. **WHEN THE GREEN LIGHT COMES ON, PUSH THE ROCKER SWITCH TO THE AUTO POSITION.** Now the stove will shut off automatically if the fire goes out.
5. Wait until the fire is established, then turn the Dial A Fire knob clockwise to the desired heat output. (The stove may not be able to burn in the BLUE ZONE if poor quality wood pellets are being used. Adjust the slider damper to the appropriate setting.
6. Adjusting the blower speed control knob will vary the rate of airflow into the room by varying the speed of the convection blower. *NOTE: The convection blower may cycle to high automatically depending on the setting of the Dial A Fire knob and the blower speed control knob.



TURNING YOUR PELLETT APPLIANCE OFF

The auto/manual switch must be in the AUTO position during operation. To turn the stove off, simply turn the HEAT OUTPUT knob (knob "B") counter-clockwise until the knob clicks to the "off" position. This will stop the feed of pellets. The blowers will continue to run and cool the stove.

SPECIAL NOTES

If the stove is left in the manual mode after the green light comes on, the auger will continue to feed pellets. Pellets may overflow the burn-pot after the fire goes out and also re-light.

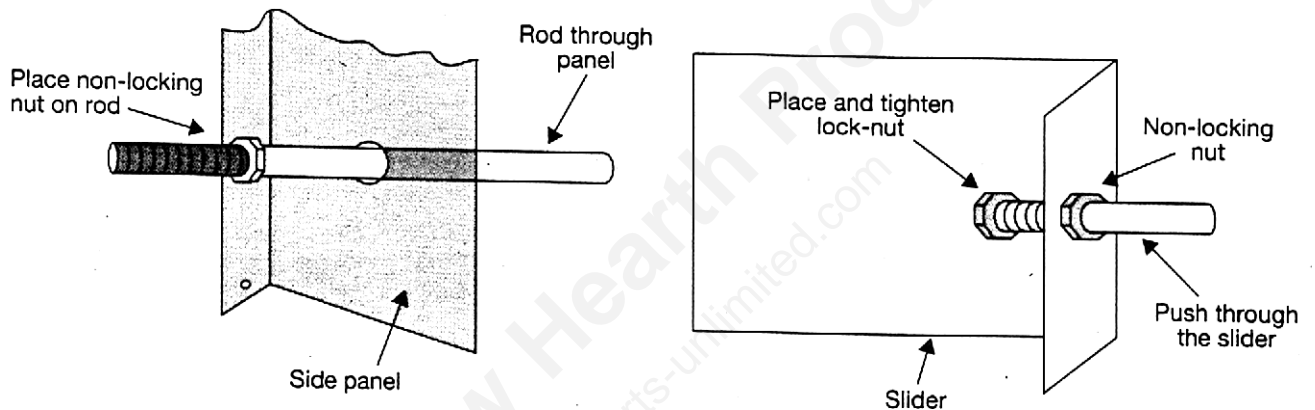
The scale on knob "B" represents a range, not exact times. Wood pellets of differing quality may affect the performance/heat output of the stove. If the stove has trouble operating at the end of its range, adjust the heat output knob back slightly.

SLIDER/DAMPER INSTALLATION /OPERATIONS INSTRUCTIONS

This is used to regulate the airflow through the pellet stove.

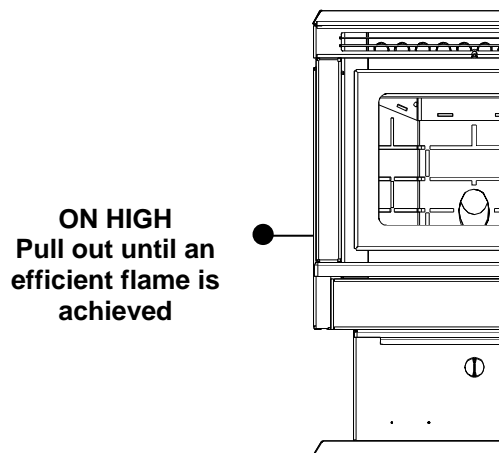
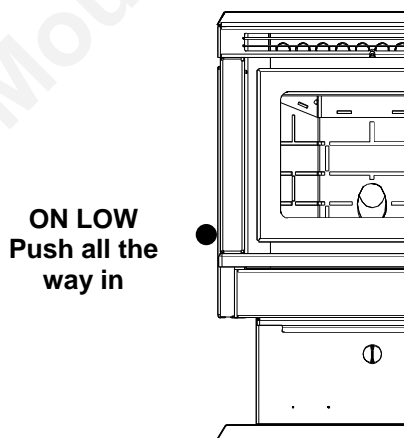
INSTALLATION:

1. Remove the slider rod (short rod with knob and nuts) and the two nuts from their package and open the left side panel. This is the smaller of the two rods. Remove the knob from the knob.
2. Remove the knob and the outer nut from the rod. Push the rod through the hole in the slider. Place the other nut on the rod and tighten, leaving a 1/32" gap between the slider and one of the other nuts.
3. Make sure the slider moves freely. Close the left side panel and the tighten screws. Push the rod through the hole in the side panel. Screw the knob on to the slider rod.



OPERATION:

1. On the low heat output settings, push the slider all the way in.
2. On the high heat output pull the slider out until a good fire is achieved. A good fire is in between a fire with lazy flames (black tipped flames) and a forced fire (very quick, shorter flames). A good fire is the most efficient and will have a bright and active flame.
3. Hot magnehelic reading 0.10--0.12



THE SCRAPER ROD: Push the stainless steel rod through the hole in the heat exchanger, thread the rod into the scraper plate.

AREAS FOR ROUTINE INSPECTION

The following should be inspected periodically to ensure that the appliance is operating at its optimum and giving you excellent heat value:

2-3 DAYS/WEEKLY

Burn Pot and Liner
Ash Pan
Inside Firebox
Behind Firebox Liners
Door Glass
Heat exchanger tubes
Ash pan and Door gaskets

SEASONALLY or 2 TONS OF FUEL

Exhaust Vent and Fresh Air Intake Tube
Blower Mechanisms
Heat exchanger tubes
Latch Mechanism of ash pan
Door Latch
All Hinges
Post Season Clean-up

TOOLS REQUIRED TO CLEAN UNIT: Torx T-20 Screwdriver, 5/16 Socket and Ratchet, Brush, Soft Cloth, Vacuum with fine filter bag

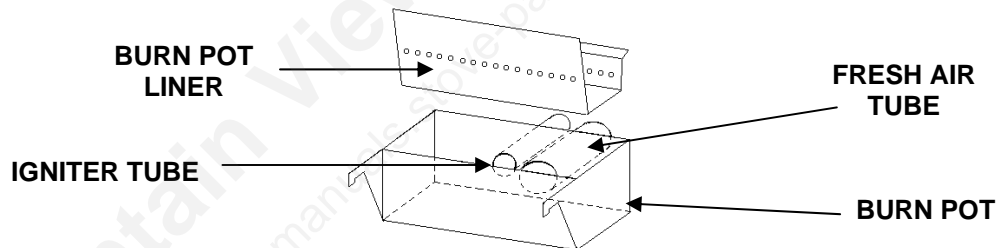
ASH PAN AND DOOR GASKETS

After excessive use the gasketing may come loose. To repair this, glue the gasketing on using high-temperature fiberglass gasket glue available from your local dealer. This is important to maintain an airtight assembly.

BURNER POT AND LINER

This is the 'pot' where the pellets are burned. Every two to three days (when the unit is cold) remove the burn-pot liner from the stove. Using a metal scrapper remove material that has accumulated or is clogging the liner's holes. Then dispose of the scrapped ashes from the liner and from inside the burn-pot. Place the burn-pot back into the stove, making sure that the pipes are properly inserted into the burn pot and the front tabs are in place in the firebox. Place the liner back into the burn-pot, making sure that the ignitor hole in the liner is aligned with the ignitor tube. Pushing the liner up against the ignitor tube.

To remove the burn pot and burn pot liner open the door using the door handle provided located on the left-hand side of the stove, swing the door open. Lift the liner from the burn pot, lift the burn pot from the firebox by gently lifting the front of the burn pot up first then sliding the assembly from the air intake tube and the ignitor cartridge.



INSERT ASH REMOVAL:

The EF-2i pellet stove insert does not have an ash pan and the ashes must be vacuumed out of the firebox on a daily basis. **CAUTION: BECAUSE THE FLY ASH IS VERY FINE, THE USE OF A VACUUM BAG WILL BE REQUIRED TO PREVENT ASH FROM BEING BLOWN BACK INTO THE ROOM.** Please pay special attention that there are no hot ashes in the firebox or there could be a possibility of a fire hazard inside the vacuum cleaner. Place all hot ashes into a noncombustible container.

FREESTANDING ASH PAN:

This part is located under the burner, in the pedestal and has a latching mechanism to secure it. To remove the ash pan, unlock the latch on the pedestal cover and then pull the pan out. Dump the ashes into a metal container stored away from combustibles. Monitor the ash level every week. **Remember that different pellet fuels will have different ash contents.** Ash content is a good indication of fuel efficiency and quality. Refer to "Warnings and Recommendations" for disposal of ashes.

BLOWER MECHANISMS

Unplug the stove then open the right/left side panels to access the two blowers. Only the convection blower motor (on the right side of the stove) will require lubrication. The convection motor has two lubrication holes on it. Use two drops of SAE 20, light oil to lubricate every six months. Excess oil may damage the motor. The exhaust blower's motor has sealed bearings, **DO NOT** lubricate this motor.

DOOR GLASS

(It is recommended that your dealer replace the glass if broken.)

The door glass is made of 5 mm thick, high temperature PYROCERAMIC. The center panel is 229 mm x 330 mm. To replace the glass, unscrew and remove the four glass retainers. Remove the glass and any broken pieces. High temperature fiberglass tape should be used around the glass. Replace the glass, center the glass assembly in the frame, then screw the glass retainers back to the frame. The use of substitute materials is prohibited.

FRESH AIR INTAKE

Inspect periodically to be sure that it is not clogged with any foreign materials.

INSIDE FIREBOX

For bi-weekly clean out, ash may be removed from behind the steel plates by rotating the circular cover to allow vacuuming behind the plates.

Removal of the fire box backing for bi-annual cleaning

- Remove the top baffle.
- Lubricate, and then remove the 7 screws that hold the brick liner in place. Tilt the top of the brick panel towards the firebox opening and pull out to remove from the firebox
- Remove the top rod by first removing the screw that holds it in place, then slide the rod sideways
- Pull the side panels into the center of the firebox, then out
- Pull the center panel out
- Clean all passages thoroughly

Installation of fire box backing:

- Install the side panels in place. Insert center panel, hold the panels in place
- Install the top rod by sliding it into one side panel then across into the other panel. Screw rod in place.
- Re-install steel brick liner and screw into place.
- Replace top baffle

EXHAUST VENT

Soot and Flyash: Formation and Need for Removal: - The products of combustion will contain small particles of flyash. The flyash will collect in the exhaust venting system and restrict the flow of the flue gases. Incomplete combustion, such as occurs during startup, shutdown, or incorrect operation of the room heater will lead to some soot formation which will collect in the exhaust venting system. The exhaust venting system should be inspected at least once every year or after two tons of pellets to determine if cleaning is necessary. We recommend contacting your dealer for professional cleaning. To remove dust from the vent pipe, tap lightly on the pipe to dislodge any loose ash. Open the bottom of the "T" to dump the ash, then vacuum as much of the ash out of the vent pipe as possible.

HEAT EXCHANGER TUBES

The cleaning rod is to be pulled back and forth a few times (**ONLY WHEN THE UNIT IS COLD**) in order to clean away any fly ash that may have collected on the heat exchanger tubes. As different types of pellets produce different amounts of ash, cleaning of the tubes should be done on a regular basis to enable the unit to run efficiently.

POST SEASON CLEAN-UP

Once you are finished using the pellet appliance for the season, unplug the stove for added electrical protection. It is very important that the stove be cleaned and serviced as stated above. (See Section Areas of Routine Inspection)

ELECTRICAL COMPONENT FUNCTIONS

The following is a list of electrical components and their functions on the ENVIROFIRE EF-III pellet stove.

1. CONVECTION FAN CONTROLLER

This controller is responsible for varying the speed of the convection blower. The stove has a fan control-over-ride. Should the convection blower be set on low and the Dial-A-Fire set on high, the convection blower will bypass the fan controller and go to high. This will cool the stove until control is given back to the fan controller. To eliminate possible cycling of the convection blower, turn up the fan speed proportionately to the Dial-A-Fire.

2. STOVE TEMPERATURE LIGHT

This light is designed to tell the operator when the units exhaust temperature is above 120°F (49°C). The auto/manual switch should be put in the auto position when the green light comes "ON".

3. AUTO/MANUAL SWITCH

In the MANUAL position this switch bypasses the 120°F (49°C) temperature sensor. This will allow you to start and operate the stove when it is cold. In the AUTO position, the 120°F (49°C) sensor has control of the stove. This allows the stove to shut off if the fire goes out.

4. DIAL-A-FIRE (HEAT OUTPUT CONTROL)

This unit is responsible for controlling the timing of the auger motor. When turned clockwise, it will cause the OFF time between auger pulses to shorten, resulting in more heat output and pellet consumption. Turn the knob counter-clockwise and the reverse will happen. When it is turned fully counter-clockwise past the "click", the auger will stop.

5. CONVECTION BLOWER

This blower fan (mounted on right hand side of the stove) draws room air from the back of the stove and passes the air through the heat exchanger tubes and back into the room. This sealed system keeps the room air separate from the combustion air. The convection fan controller controls this fan's speed.

6. COMBUSTION/EXHAUST BLOWER

This constant fan (mounted on the left side of the stove) is responsible for drawing the outside fresh air into the combustion chamber for burning. The hot air then continues to be drawn over the heat exchanger tubes and into the exhaust channel. It is then pushed out through the exhaust system.

7. AUGER MOTOR AND AUGER

This 1-rpm auger motor is responsible for turning the auger, which in turn transports pellets to be dropped into the burn pot. The auger motors control is handled by the timing control module and the Dial-A-Fire.

8. TIMING CONTROL MODULE

The timing control module is mounted on the right hand side rear pillar of the stove. The module controls the switching of power to the auger. The modules switching duty is controlled by the Dial-A-Fire.

9. 200°F (93°C) MANUAL RESET TEMPERATURE SENSOR

This sensor (located on the right side firewall) has a red push button located in its center. This is a safety device. In the event that the convection blower fails, this sensor will overheat and shut off power to the auger motor.

10. 160°F (71°C) TEMPERATURE SENSOR

When this sensor (located on the left side firewall) reaches 160°F (71°C), the convection blower will go to high, cooling the unit.

11. 120°F (49°C)- N/O TEMPERATURE SENSOR (SHUT DOWN SENSOR)

This sensor (mounted on the exhaust blower housing) has two functions (only if the auto/manual switch is in the auto position):

- Should the fire happen to go out, this sensor will shut the stove off when the exhaust temperature drops below 120°F (49°C)
- When the auger is turned off via the Dial-A-Fire, the exhaust temperature will drop, when it goes below 120°F (49°C), the sensor will turn the stove off.

12. 120°F (49°C)-N/C TEMPERATURE SENSOR (IGNITER SHUT DOWN SENSOR)

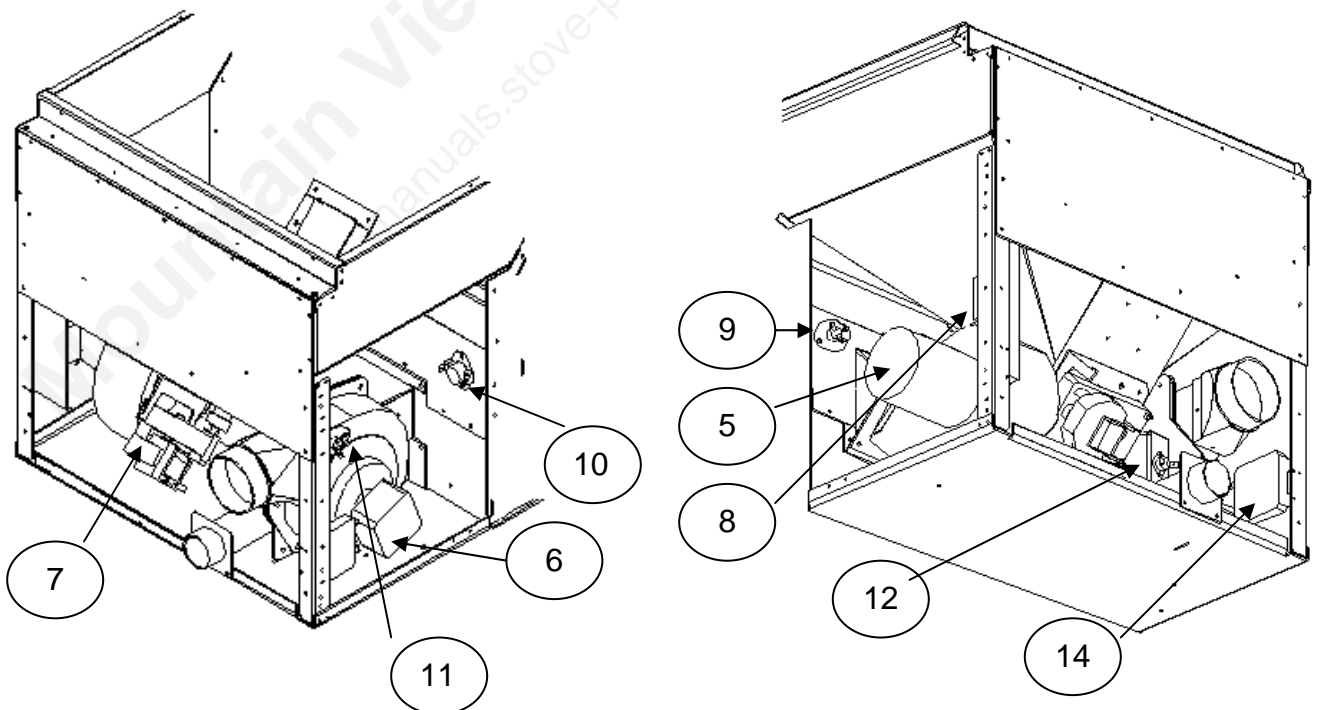
This sensor (mounted on the exhaust channel) will turn the igniter off when the exhaust channel temperature reaches 120°F (49°C).

13. IGNITER

Is a heating element used to ignite the fuel? When the start up switch is activated, the igniter is has power going to the igniter when the switch is in the manual position. Air passes through the igniter tube, which becomes super heated drying the fuel and then igniting the fuel through convection.

14. VACUUM SWITCH

This safety device (mounted on the left side pillar) detects vacuum in the exhaust system. If the exhaust blower fails or the vent pipe becomes plugged, this switch will sense that there is no airflow and will stop the auger from continuing to feed pellets.



DECIDING WHERE TO LOCATE YOUR PELLET APPLIANCE

1. Check clearances to combustibles.
2. Do not obtain combustion air from an attic, garage or any unventilated space. Combustion air may be obtained from a ventilated crawlspace.
3. Do not install the stove in a bedroom.
4. You can vent the stove through an exterior wall behind the unit or connect it to an existing masonry or metal chimney (must be lined if the chimney is over 6" in diameter, or less than 28 sq. inches cross sectional area). An interior vent can be used with approved pipe passing through the ceiling and roof.
5. Locate the stove in a large and open room that is centrally located in the house. This will optimize heat circulation.
6. The power cord is 8 feet (2.43 m) long and may require a grounded extension cord to reach the nearest electrical outlet.

VENT TERMINATION REQUIREMENTS

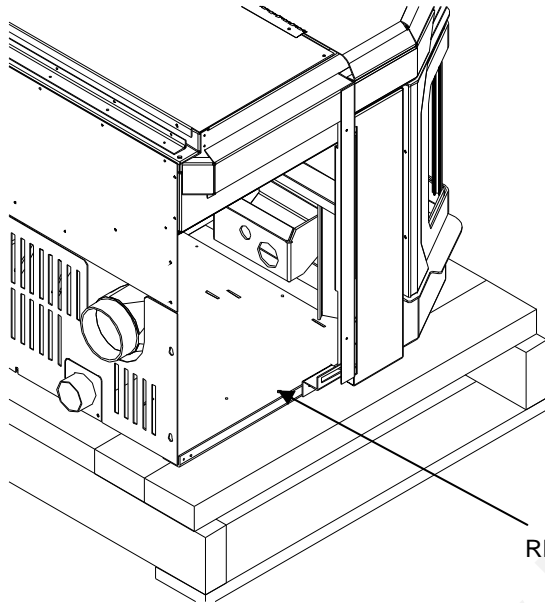
- A) Do not terminate the vent in any enclosed or semi-enclosed areas, such as a carport, garage, attic, crawl space, narrow walkway, closely fenced area, under a sundeck or porch, or any location that can build up a concentration of fumes such as stairwells, covered breezeway, etc.
- B) Vent surfaces can become hot enough to cause burns if touched by children. Non-combustible shielding r guards may be required.
- C) Termination must exhaust above inlet elevation. It is recommended that at least five feet of vertical pipe be installed when the appliance is vented directly through a wall to create some natural draft. This is to prevent the possibility of smoke or odor during appliance shut down and to keep exhaust from causing a nuisance or hazard from exposing people or shrubs to high temperatures. **In any case, the safest and preferred venting method is to extend the vent through the roof.**
- D) The vent terminal cannot be:
 - Less than 4 feet (1.2 m) below
 - Less than 4 feet (1.2 m) horizontally from, and
 - Less than 1 foot (30 cm) above doors, window openings, or gravity /ventilation air inlets into the building.
- E) Distance from bottom termination and grade –12" (305 mm) minimum. This is conditional upon the plants and nature of grade surface. The exhaust gases are hot enough to ignite grass, plants and shrubs that are located in the vicinity of termination. The grade surface must not be lawn. Distance from bottom of termination and public walkways is 7 feet (2.1 m) minimum.
- F) Distance to combustible materials is 2 feet (610 mm). This includes adjacent buildings, fences, protruding arts of the structure, roof overhang, plants, shrubs, etc.
- G) When installing an **FPI** or **BIH** the chimney must be fully lined. Unless the chimneys inside diameter are less than 6" around or has a cross section area of less than 28 square inches. We strongly recommend lining all masonry chimneys
- H) If the unit is incorrectly vented or the air to fuel mixture is out of balance, a slight discoloration of the exterior of the house might occur. Since these factors are beyond Sherwood Industries Ltd. Control, we grant no guarantee against such incidents.

IT IS RECOMMENDED THAT ONLY AN AUTHORIZED DEALER INSTALL YOUR PELLET STOVE

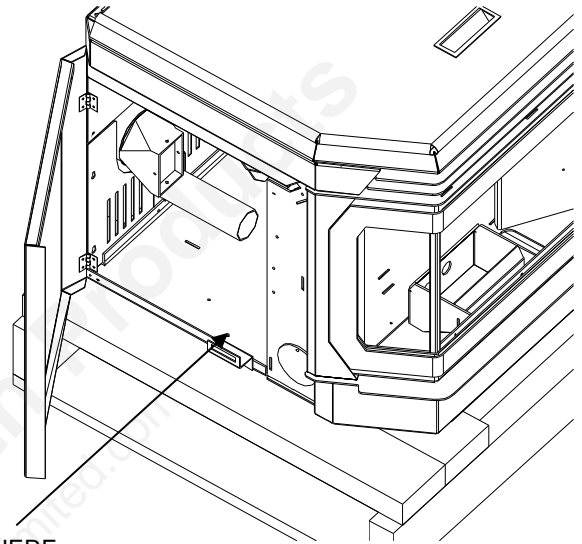
REMOVING YOUR NEW STOVE FROM IT'S PALLET

To remove your new stove from its pallet, open the left and right side panels. There are two wood screws that are holding the bottom of the stove to the pallet. Remove the screws. Close the side panels. See PAGE 18 how to install the pedestal.

INSERT MODEL

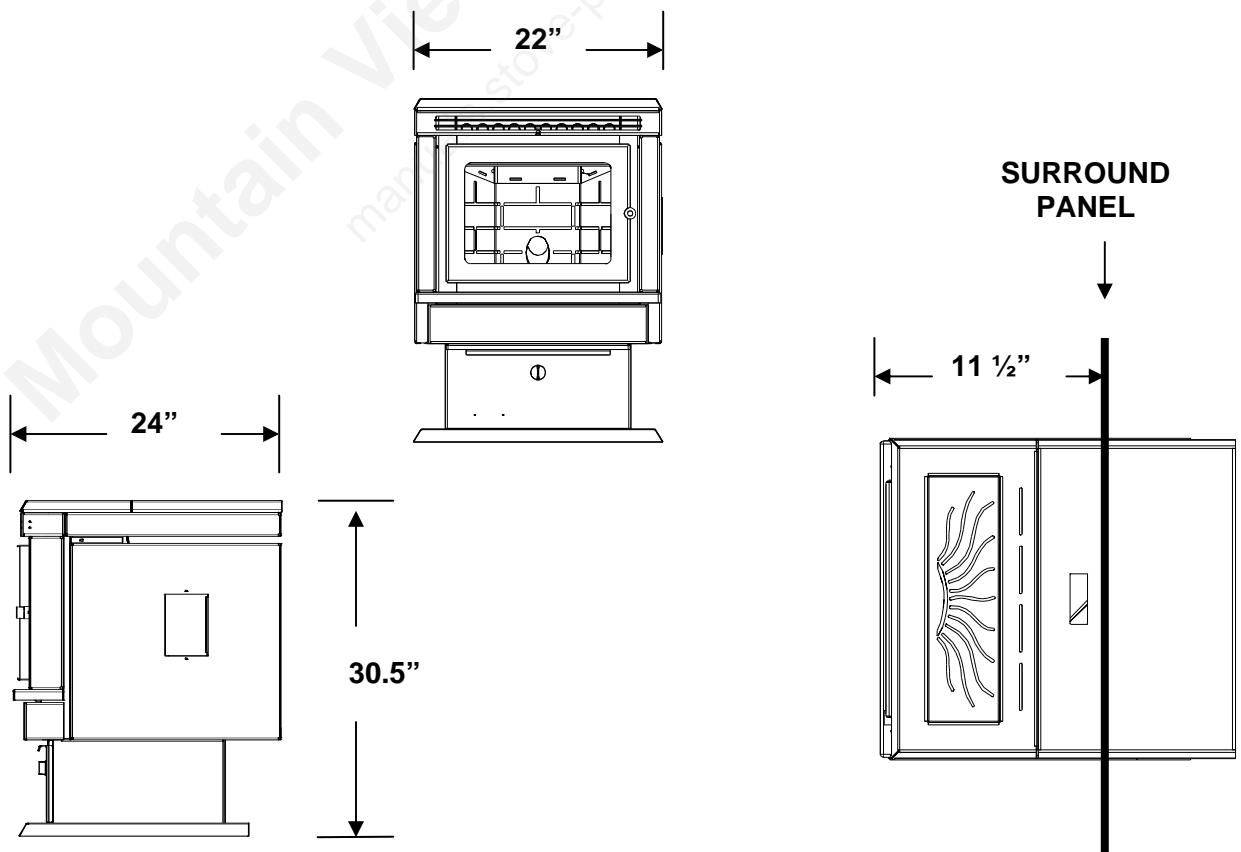


FREESTAND MODEL



REMOVE SCREW HERE

DIMENSIONS



MASONRY FIREPLACE INSERT INSTALLATION, MODEL FPI

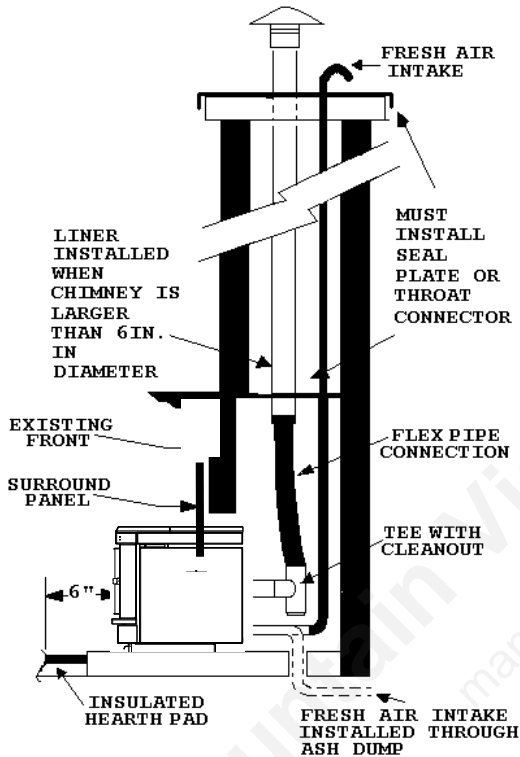
The Fireplace insert model includes a surround faceplate and a pedestal. When installing this unit, ensure that the pedestal is removed from the inside of the hopper and installed on the bottom of the unit. (Surround assembly instructions are in this manual)

CLEARANCES TO COMBUSTIBLES

Side wall	8" (200 mm) from the body of the heater
Facing on masonry fireplace	8" (200 mm) from the body of the heater
Mantle	8" (200 mm) from the body of the heater

FIREPLACE INSERT SIZE:

Width	22" (550 mm)
Height	22 3/4" (570 mm)
Depth	24" (600 mm)

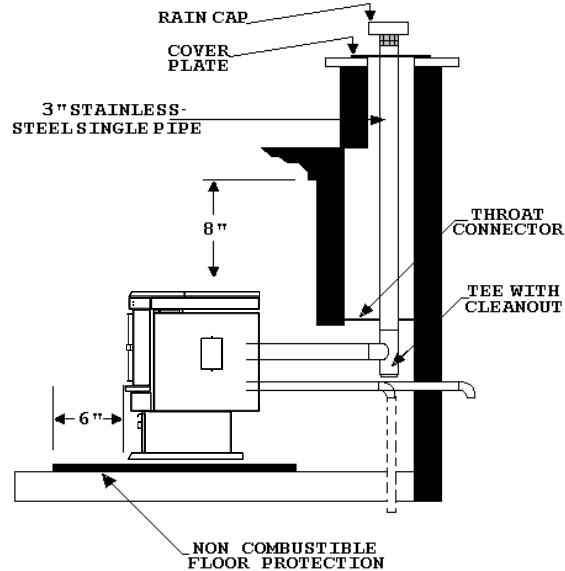


A noncombustible hearth pad must cover combustible flooring underneath, as well as 6" (150 mm) in front of the heater and 6" (150 mm) to the side of the heater

1. Install the hearth pad.
2. Lock the fireplace damper in the open position.
3. Install a positive flue connector at the fireplace damper.
4. Connect a tee or 90° degree elbow to the exhaust pipe.
5. This fireplace insert must be installed with a continuous chimney liner of 3 or 4" diameter extending from the fireplace insert to the top of the chimney. The liner must conform to type 3 requirements of CAN/ULC S635.
6. **(Recommended)** Install fresh air intake either through the back of the fireplace or through the positive flue connector.

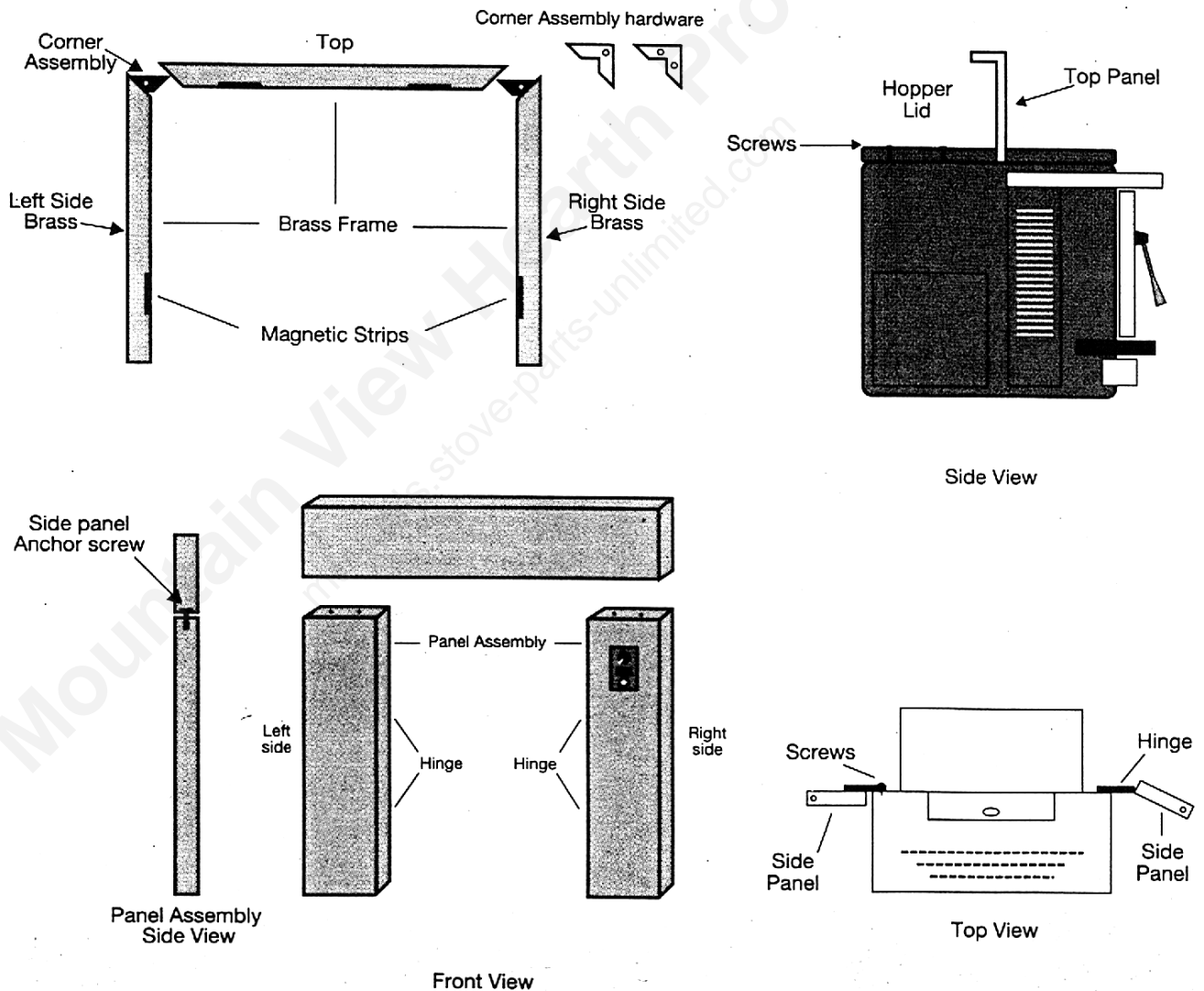
When installing the insert into a masonry fireplace DO NOT remove any bricks or masonry, with the following exception; Masonry or steel, including the damper plate, may be removed from the smoke shelf and adjacent damper frame if necessary to accommodate a chimney liner. Provided that their removal will not weaken the structure of the fireplace and chimney, and will not reduce protection for combustible materials to less than that required by the national building code.

When installing the fireplace insert into a zero clearance fireplace, **DO NOT** cut or modify any factory firebox parts. If the fireplace insert does not fit into a zero clearance fireplace we recommend you use an ENVIROFIRE model FS and install as a hearth mounted unit. Install a 3" (76 mm) flex pipe from the stove to the top of the chimney.



ASSEMBLING THE FACE PLATE FOR THE FPI AND BIH MODELS

1. Assemble the brass frame using the corner hardware and screws supplied in the face plate packaging. Install corner hardware into the side brass, then push into the top frame. Do not over-tighten or the side brass cannot be removed during servicing.
2. Assemble the three faceplates to the stove by screwing in the hinged panels to the stove side panels. Loosen the front hopper lid screws and center the top panel under the hopper lid, tighten screws. Insert each side panel anchor screw through the top panel into the corresponding side panel holes and tighten.
3. Place the brass frame you assembled (Step 1) over the panel assembly (Step 2).
4. To access the rear of the stove after the panels are assembled remove side brass and remove the anchor screws from the corresponding side. Swing panel open. Installation is the reverse.



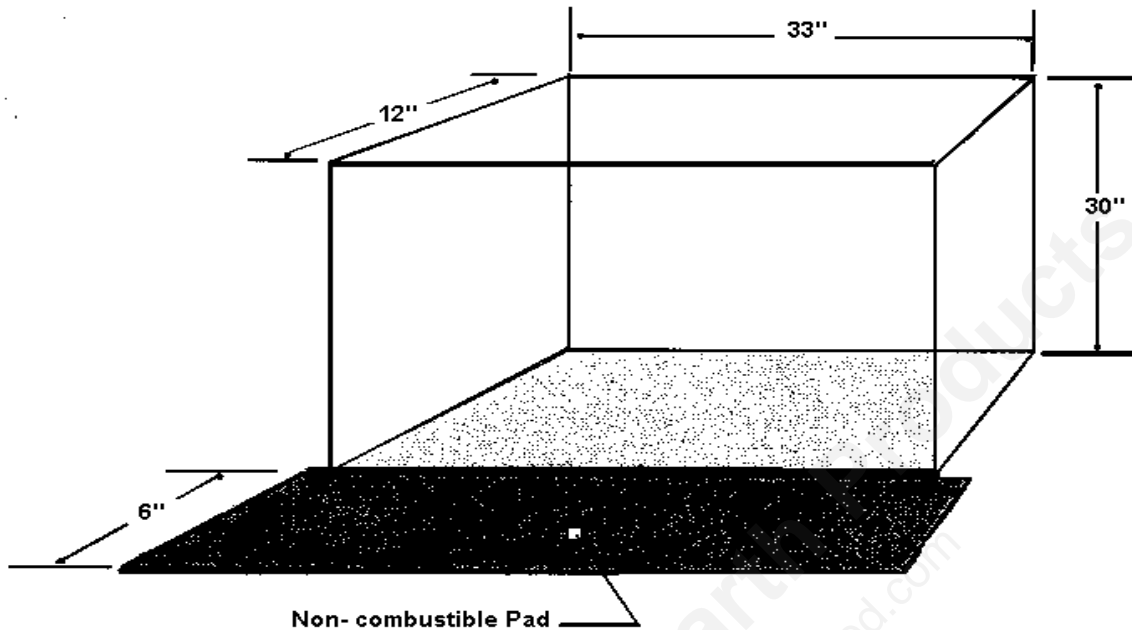
**STANDARD:
BUILT IN:**

Sizing of Face Plates:
40" X 30 1/4"
36" X 32 9/16"

OVERSIZE: 46" X 33"
OVERSIZE: 46 X 34 3/4"

RECOMMENDED FRAMING FOR BUILT IN HEATER

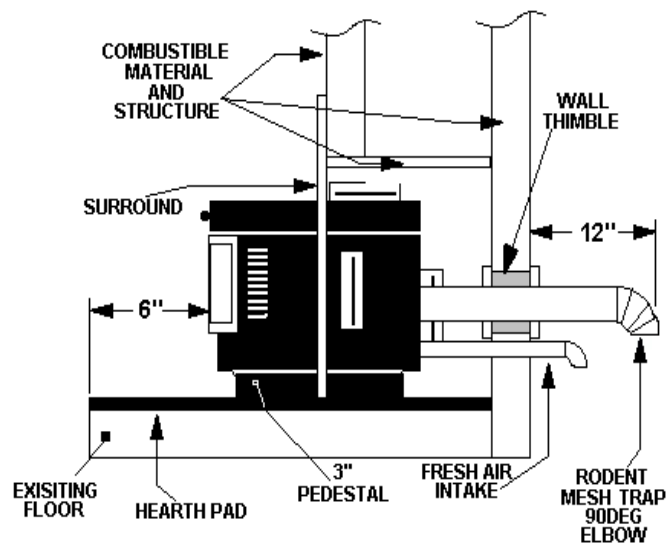
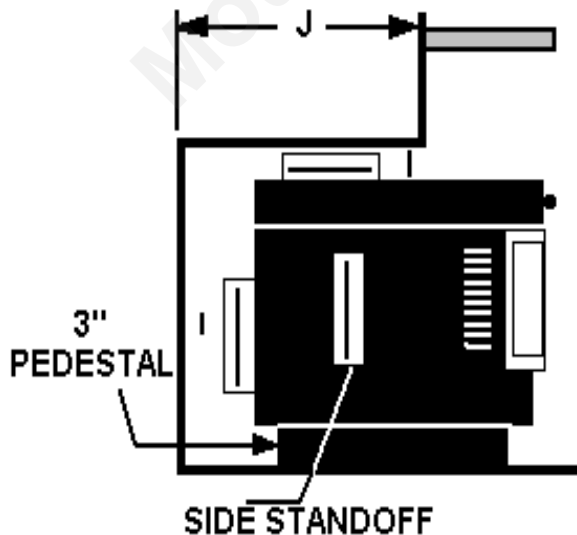
When installing model BIH it is recommended that you use the dimensions shown in the diagram below. These clearances will make it easy and readily accessible for service.



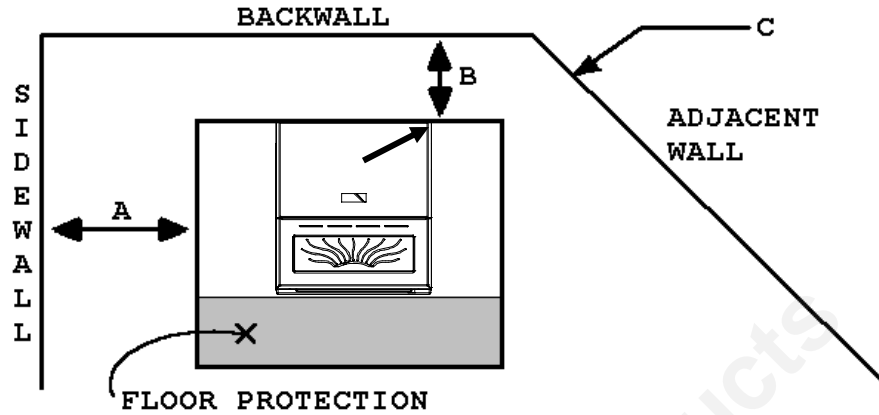
BUILT IN HEATER CLEARANCES TO COMBUSTIBLES

This unit includes a 3" (75 mm) pedestal and surrounding faceplates. The part of the unit behind the faceplate can be enclosed with combustible material. Model BIH has 1" (25 mm) standoffs to establish clearances to combustibles to the back, top and sides. The minimum clearances and the size of this enclosure are as follows:

- Sides and RearI- 0 INCHES (to standoffs)
- DepthJ- 11 INCHES (275 mm)
- Side wall to unit..... - 8 INCHES (200 mm)
- Mantle to unitL- 8 INCHES (200 mm)



CLEARANCES TO COMBUSTIBLES



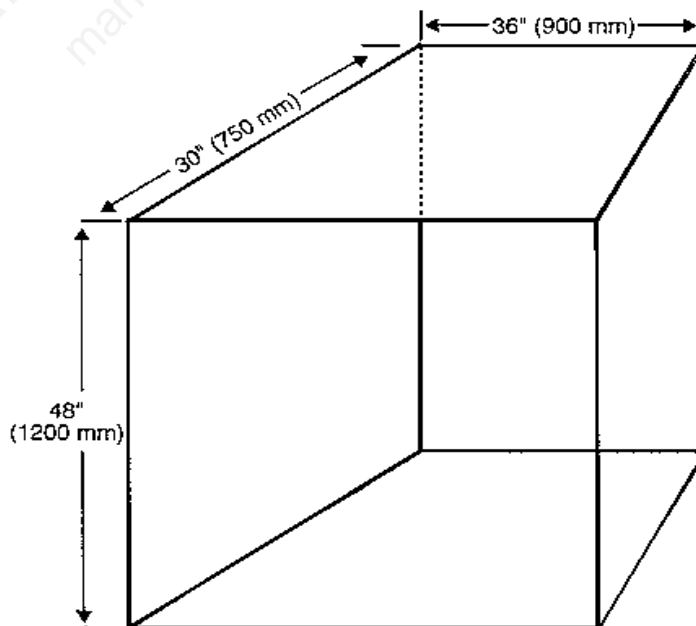
CLEARANCE TO COMBUSTIBLES (FREESTANDING)

- Side wall to unit A- 6 INCHES (150 mm)
 - Back wall to unit B- 1 INCH (25 mm)
 - Corner to unit C- 1 INCH (25 mm)
 - Mantle (Hearth Mount) 8 INCHES ()
- Combustible flooring underneath the unit and extending 6 INCHES (150 mm) to the sides and front must be protected by a non combustible material.

ALCOVE DIMENSIONS

- Minimum Alcove width..... 36 inches (900 mm)
- Minimum Alcove height 48 inches (1200 mm)
- Maximum Alcove depth 30 inches (750 mm)

INSTALL VENT AT CLEARANCES SPECIFIED BY THE VENT MANUFACTURER.

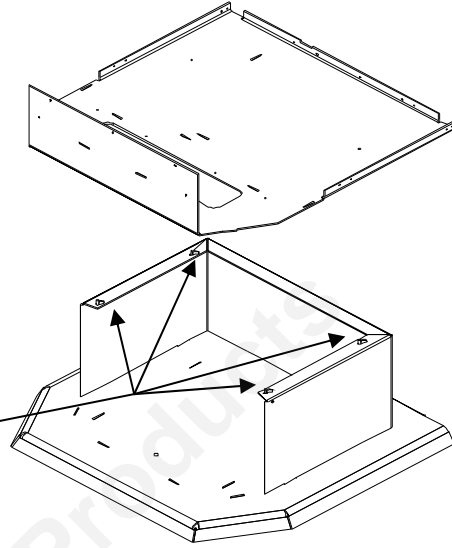


MODEL FS (FREESTANDING) INSTALLATION

PEDESTAL INSTALLATION

Model FS comes with a pedestal that has to be attached prior to installation:

- Remove the pedestal from the box
- Remove the ENVIROFIRE unit from the box
- Place the unit on its back, making sure not to damage the wiring.
- Back off the screws on the base, install the pedestal over the screws.
- Lock pedestal in place using the keyholes, tighten the screws. Return unit to upright.

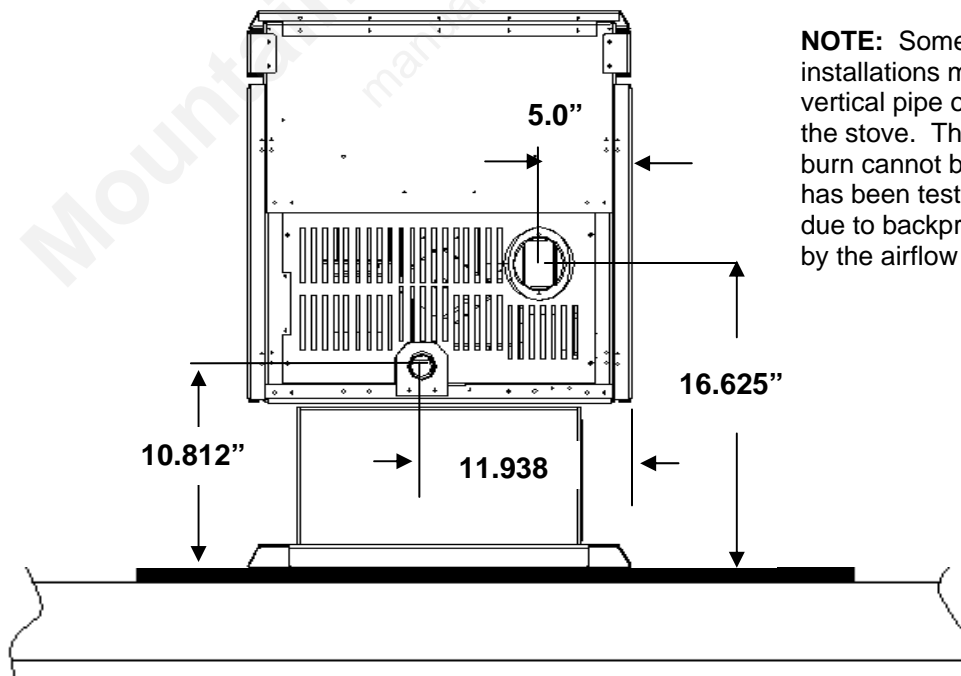


**INSTALLATION
KEYHOLES**

Mountain View Hearth Products
manuals.stove-parts-unlimited.com

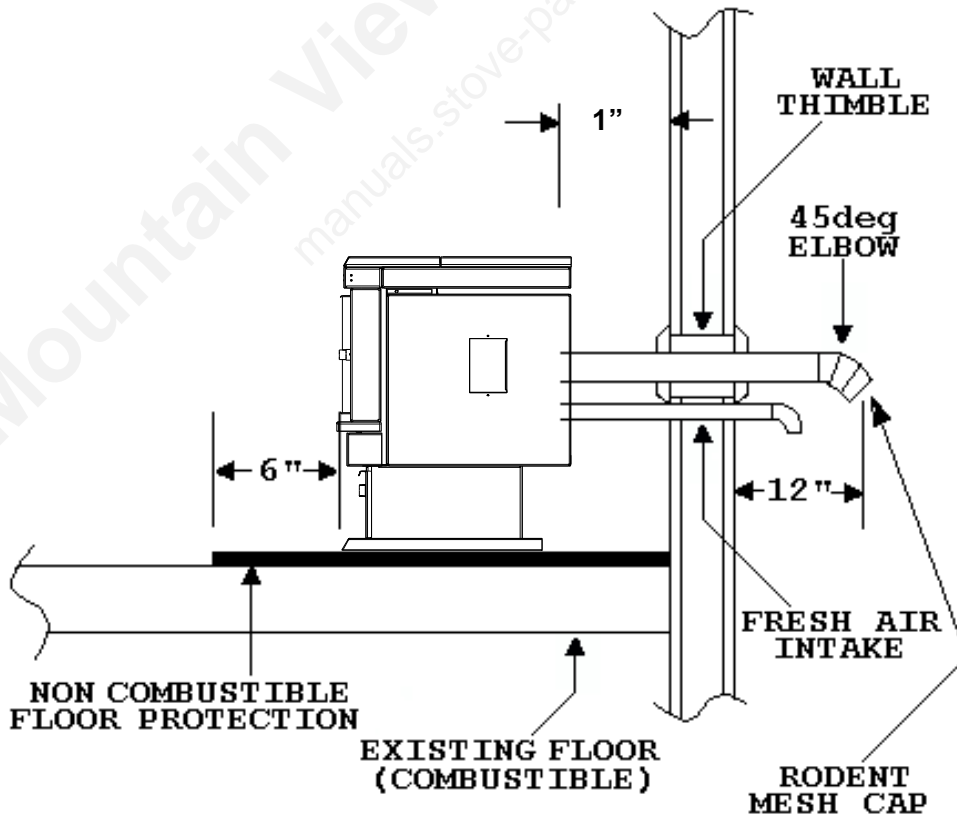
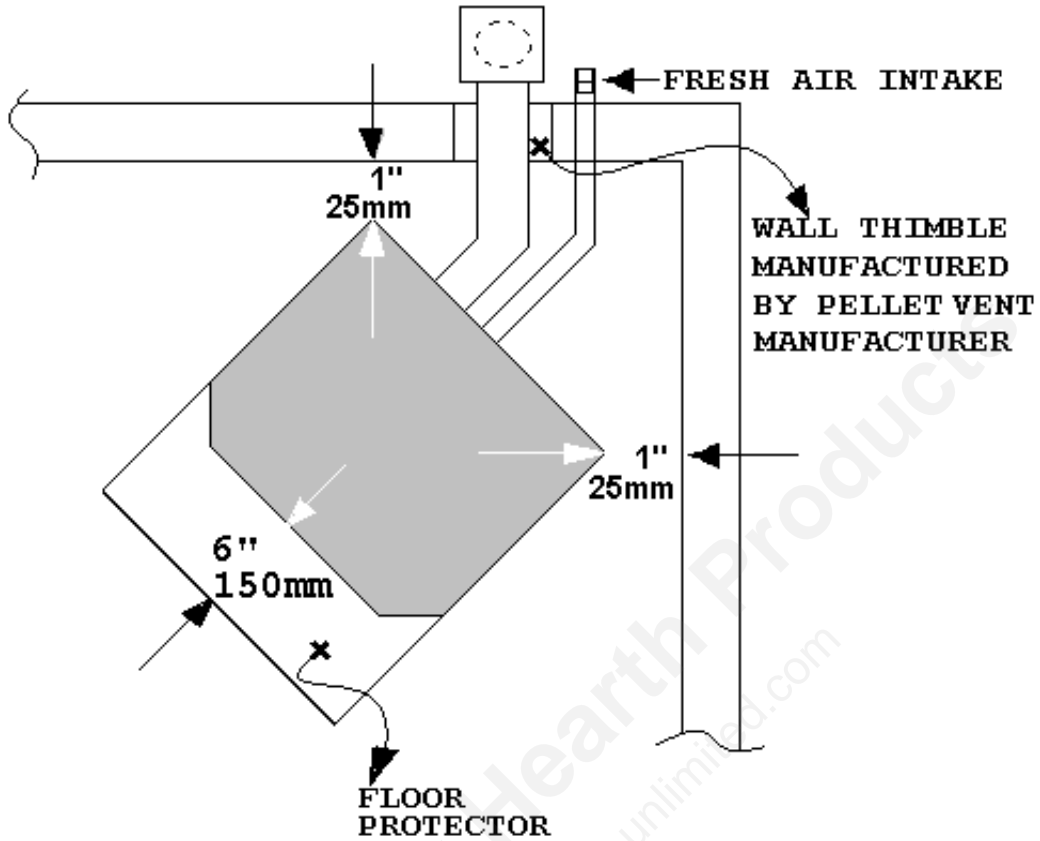
HORIZONTAL EXHAUST THROUGH THE WALL

1. **NOTE:** Use only listed type “PL” or “L” pellet venting products. Failure to use listed components may cause damage or personal injury or death.
2. Choose a location for your stove that meets the requirements stated in this manual and allows installation with the least amount of interference to house framing, plumbing, wiring, etc.
3. Install a non-combustible hearth pad underneath the unit extending 6 inches (15 cm) in front of and to the sides (where necessary).
4. Place the stove 15” (37.5 cm) away from the wall. If the stove is to be set on a hearth pad, set the unit on it.
5. Locate the center of the exhaust pipe on the stove. Extend that line to the wall. Once you have located the exhausts center point on the wall, use a hole saw to cut a 7” (175 mm) diameter hole for a 3” vent pipe or an 8” (200 mm) hole for a 4” (101 mm) vent pipe.
6. Install the wall thimble as per the instructions written on the thimble. Maintain an effective vapor barrier
7. Install a 2 or 3ft. (61 or 92 cm) length of 3” (76 mm) or 4”(101) listed type “PL” or “L” vent pipe into the wall thimble. The pipe should install easily into the thimble.
8. Install the fresh air intake (see the section, OUTSIDE AIR CONNECTIONS).
9. Connect the exhaust vent pipe to the exhaust pipe on the stove.
10. All joints in the vent system shall be fastened with three (3) screws. Seal the connection with high temperature silicone.
11. Push the stove straight back, leaving a minimum of 1” (3 cm) clearance from the back of the stove to the wall. Seal the vent pipe to the thimble with high temperature silicone.
12. The pipe must extend at least 12” (30 cm) away from the building. If necessary, bring another pipe (PL type) to the outside of the home to connect to the first section. Do not forget to place high temperature silicone around the pipe that passes through the thimble.
13. Install vertical pipe, or if all requirements for direct venting are met, install vent termination. The stainless steel cap termination manufactured by the vent manufacturer is recommended. However, when the vent terminates several feet above ground level and there are no trees, plants etc. within several feet, a 45° elbow can be used as a termination. The elbow must be turned down to prevent rain from entering.



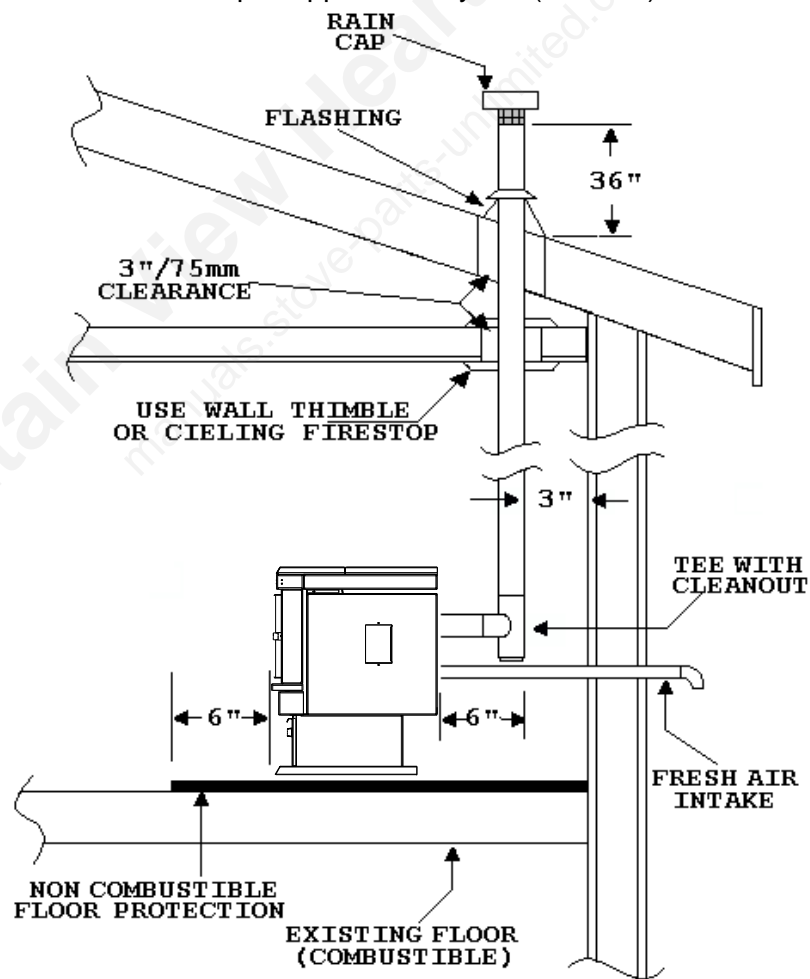
NOTE: Some horizontal, through the wall installations may require a “T” and 4-5 feet of vertical pipe outside the building to help draft the stove. This may be required if a proper burn cannot be maintained, after the stove has been tested and the airflow set. This is due to backpressure in the exhaust, caused by the airflow around the house.

THROUGH WALL INSTALLATION



INSIDE VERTICAL INSTALLATION, MODEL FS

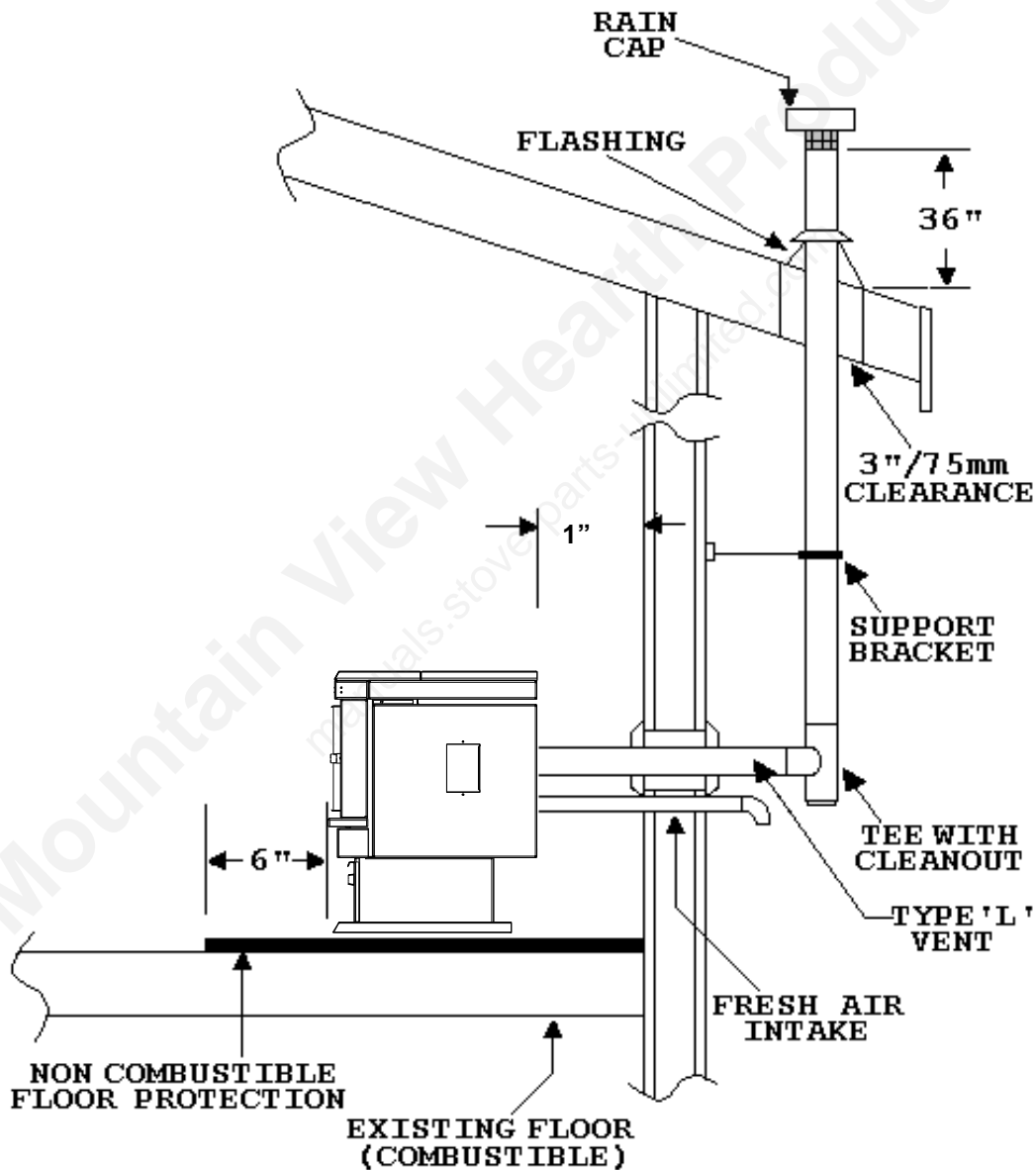
1. Choose a stove location that is ideal. See the section Deciding Where to Locate Your Pellet Appliance.
2. Place on a noncombustible hearth pad where necessary.
3. Place the unit on a hearth pad and space it in a manner so when the pellet vent is installed vertically, it will be 3" (5 mm) away from a combustible wall.
4. Locate the center of the fresh air intake pipe on the unit. Match the center with the same point on the wall and cut a hole about 1 5/8" (41 mm) in diameter.
5. Install the fresh air pipe.
6. Install the tee with a clean out.
7. Install the pellet vent upward from there. When you reach the ceiling make sure that the vent goes through the ceiling firestop. Maintain a 3" distance to combustibles and keep attic insulation away from the pipe.
8. Finally, extend the pellet vent to go through the roof flashing.
9. Ensure that the rain cap is approximately 36" (900 mm) above the roof.



OUTSIDE VERTICAL PIPE INSTALLATION

To accomplish the above titled installation, follow steps 1 through 8 in the previous section (HORIZONTAL EXHAUST THROUGH THE WALL) and then finish it by performing the following:

- 9 Install a tee with clean out on the outside of the house.
- 10 Install PL vent upward from the tee. Make sure that you install support brackets to keep the vent straight and secure.
- 11 Secure the flashing as you go through the roof.
- 12 Ensure that the rain cap is approximately 36" (900 mm) above the roof.



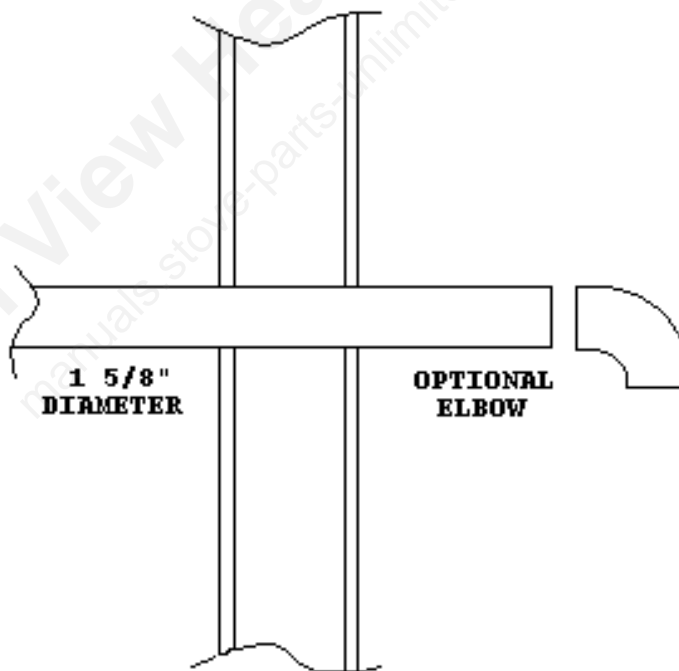
MOBILE HOME INSTALLATION

- Secure the heater to the floor using the two bolt holes in the pedestal.
- **CAUTION: THE STRUCTURAL INTEGRITY OF THE MANUFACTURED HOME FLOOR, WALL, AND CEILING/ROOF MUST BE MAINTAINED.**
- Ensure the unit is electrically grounded to the chassis of your home (permanently).
- Do not install in a room people sleep in.
- Outside fresh air is mandatory in homes of tight construction and Mobile Homes

OUTSIDE FRESH AIR CONNECTIONS

A Fresh air intake is strongly recommended. Failure to install Intake air may result in improper combustion as well as the unit smoking during power failures.

NOTE: Fresh air is mandatory on all units installed in “Mobile Homes” as well as in “Air Tight” homes.



When connecting to an outside fresh air source, do not use plastic, combustible pipe. Only 1 5/8" diameter steel, aluminum or copper pipe should be used. It is recommended, when you are installing a fresh air system, to keep the number of bends in the pipe to a minimum.

TROUBLESHOOTING

DO NOT:

- Switch the stove ON and OFF rapidly. This may cause current spikes, which could shorten the life of the electrical components.
- Service the stove with wet hands. The stove is an electrical appliance, which may pose a shock hazard if handled improperly. Only qualified technicians should deal with possible internal electrical failures.
- Remove any screws in the firebox without first lubricating them with penetrating oil.

TROUBLESHOOTING

What to do if:

- 1) The stove will not start
- 2) The stove will not light
- 3) The stove will not operate in the "AUTO" mode
- 4) The exhaust blower will not work
- 5) The convection motor will not function normally
- 6) The auger motor does not function normally
- 7) The Dial-A-Fire has no effect on the fire
- 8) The stove will not shut off
- 9) The stove keeps going out
- 10) Igniter will not function normally

****NOTE:** All trouble shooting procedures should be carried out by qualified technicians.

1) The stove will not start

- Make sure the stove is plugged in and the wall outlet is supplying power.
- Push the auto/manual switch to manual, if the stove fails to start, unplug the unit and open the hinged side panels (held tight with two screws).
- With the stove unplugged, examine all connections. Make sure they are firmly connected and that there are no exposed wires touching the stove (except the green chassis wire).
- Check the continuity and placement of connections against the wiring diagram in the back of this manual.

Attempt to by-pass the switch by inserting a jumper wire between the dual black wires (middle of switch) and the single gray wire (left side of the stove) that attach to the back of the switch. Plug the stove back in. if the stove starts, replace the switch.

2) The stove will not light

- Check the ignitor by removing the burn pot liner when the unit is cold.
- Push the auto/manual switch to manual
- Observe the ignitor in the small tube to see if it glows within 3 minutes then return the switch to the "auto" position.
- If the ignitor does not come on, open the right hand side panel, remove the convection blower (held in by two bolts) and check connections of the harness then by-pass the 120°F (49°C) (N/C) temperature sensor.
- Push switch to manual to see if the igniter will heat up.
- If the igniter fails to come on, have your dealer or a qualified service technician replace the ignitor.
- If the ignitor comes on when the 120°F (49°C) is by-passed, replace the **120°F (49°C) (N/C)** sensor.

3) The stove will not function in the “AUTO” mode when hot

- If the unit fails to operate, by-pass the auto side of the switch by inserting a jumper wire between the dual black wires and the dual brown wires located on the back of the switch. Plug the stove back in. if the stove operates , Replace the switch.

4) The exhaust blower will not function normally

- Open the left side panel, check all connections against the wiring diagram.
- If all the connections are verified and the exhaust blower does not function at all , tap lightly on the exhaust motors end cap, this may loosen a tight motor.
- Apply 115V AC directly to the exhaust blower. If the motor does not run, replace the blower.
- If the motor runs, have your dealer inspect the wiring harness

5) The convection blower will not function normally

- Check all of the connections between the fan controller, switch, and the convection blower against the wiring diagram.
- If the convection blower will not operate, Apply 115V AC to the motor directly, If the motor runs, Replace the fan controller. If the motor does not run, the convection blower has failed. Replace the blower.

6) the auger motor will not function normally

- Make sure the exhaust blower is operating.
- Make sure the Dial-A-Fire is turned on.
- Unplug the stove and open the side and back panels.
- Check all the connections to the auger motor, Dail-A-Fire, Vacuum sensor, 200°F (93°C) temperature sensor and the timing control module against the wiring diagram in this manual.
- Check the condition of the Vacuum hose (located on the left-hand side of the stove). It should not be cracked or torn and should be installed on the top air inlet tube of the sensor.
- Check the manual reset button on the 200°F (93°C) temperature sensor. If this sensor has been tripped check the cause of the over-heating before pushing the red button in. check the auger for movement.
- If the auger still does not operate then apply 115V AC directly to the auger motor. If the auger motor does not work. Replace the auger motor.
- By-pass the 200°F (93°C) temperature sensor with a jumper wire, check the auger. If the auger works replace the 200°F (93°C) sensor.
- Check the voltage across the load pins of the timing module. It should be around 1-2 VAC, cycling to line voltage during an auger pulse. If not, replace the timing control module.
- Check the Vacuum sensor by placing a jumper wire between the Blue and Black wires that are attached to the sensor. If the auger works, test to see if the exhaust blower is producing enough vacuum.
- To test the exhaust vacuum place a magnehelic gauge in the sensor end of the vacuum tube. It should read over 0.5. if the reading is good then replace the vacuum sensor.
- If the auger motor still does not work, then attempt to by-pass the auger Dial-A-Fire control by removing the leads from the timing control module's second delay pins and placing a jumper wire across the pins. If the auger now cycles very quickly, test the Dial-A-Fire potentiometer. If the auger did not then replace the timing control module.
- To test the Dial-A-Fire potentiometer, place the two test leads from a multimeter into the leads of the potentiometer. The potentiometer should have a range of 68k OHMS to approximately 850k OHMS (plus or minus 10%). If the range is not close then replace the potentiometer.

7) The Dial-A-Fire has no effect on the fire

- Make sure that all connections to the timer control module are correct and secure.
- Perform a resistance test to the Dial-A-Fire potentiometer, by placing the two leads from a multimeter into the two leads of the potentiometer. The potentiometer should have a range of 68k to 850k OHMS (plus or minus 10%)
-

POTENTIOMETER READINGS:

Full clockwise (switched off) = open circuit, overload or infinite resistance

LOW FIRE

800K OHMS to 900K OHMS

HIGH FIRE

68K OHMS to 82K OHMS

- If the range does not vary or the switch does not close then replace the potentiometer.

8) The stove will not shut down

- Make sure the auto/manual switch is in the auto position.
- Check the connections to the 120°F (49°C)-N/O temperature sensor and the auto/manual switch against the wiring diagram.
- Check the 120°F (49°C)-N/O temperature sensor by removing one of the brown wires from the sensor. The unit should shut down right away as long as the switch is in the auto position, if this happens Replace the 120°F (49°C) –N/O sensor. If the stove does not shut down then test the switch.
- To test the switch, the stove must be cold. With one of the brown wires removed from the 120°F (49°C) N/O temperature sensor, remove the gray wire from the switch, the stove should shut down. If this is the result then replace the auto/manual switch.
- If the stove still does not shut off, replace the wiring harness.

9) The stove keeps going out

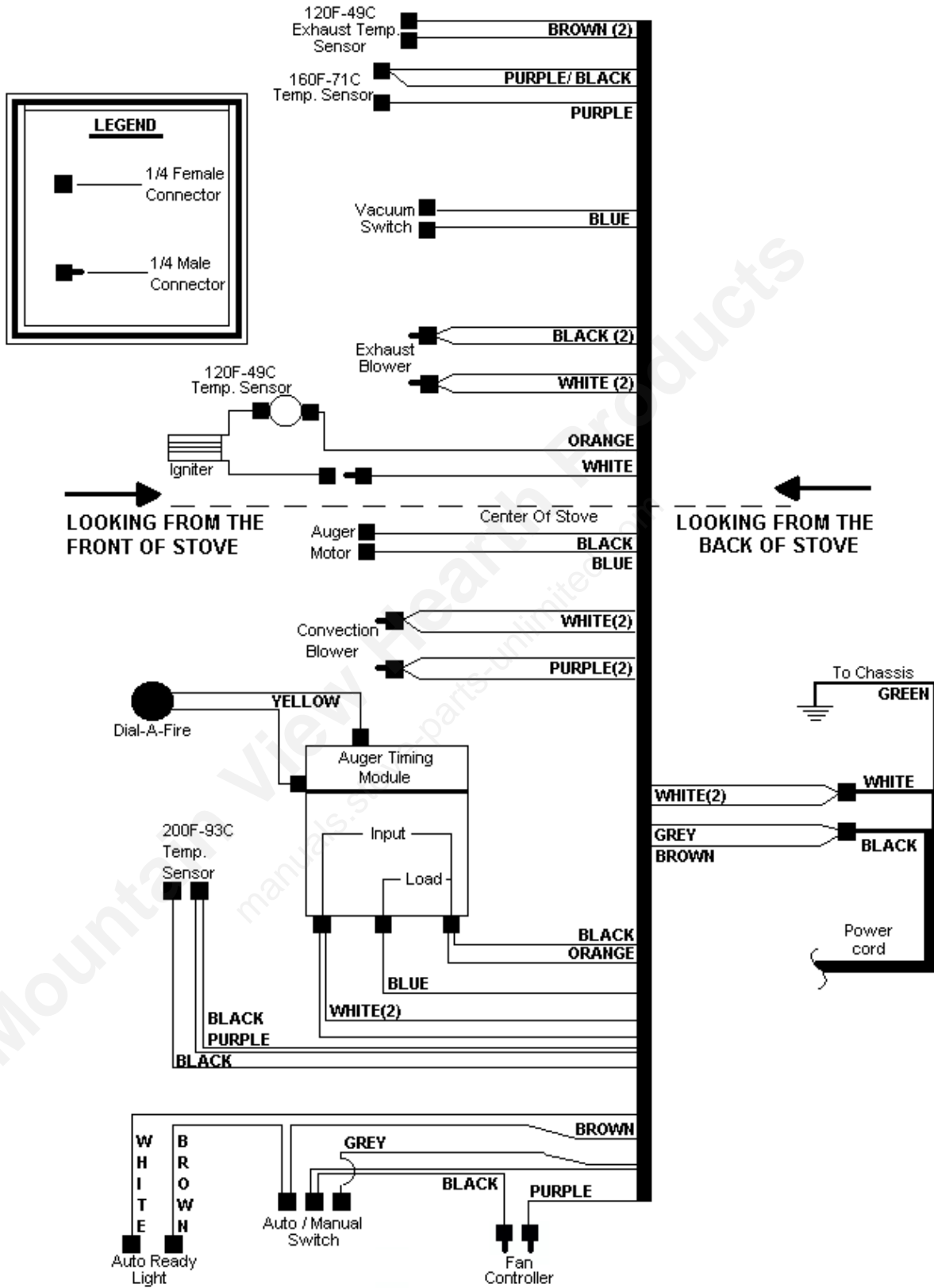
- If the stove goes out and leaves fresh unburned pellets in the burn pot liner, the fire is going out before the 120°F (49°C) –N/O temperature sensor shuts the stove off
- Check to see that the slider damper is in the correct position
- Turn the Dial-A-Fire up slightly (**poor quality pellets will require a slightly higher setting**)
- If the stove goes out and there are partially burned pellets or cigarette like ashes left in the burn pot liner, the stove shut down due to lack of air, exhaust temperature or a power failure.
- Adjust the slider damper
- Check to see if the stove needs a more thorough cleaning.
- Turn the Dial-A-Fire up slightly
- Did the power go out?
- If the stove goes out and there are no pellets in the burn pot liner, the auger is stopping.
- SEE: “The auger motor will not function normally” and “The exhaust blower will not function normally”.

10) Ignitor will not function normally.

- Everything else in the stove operates but the ignitor will not light the pellets.
- Make sure the burn pot liner is tight against the ignitor tube.
- Check all the electrical connections to the 120°F (49°C) temperature sensor located on the exhaust channel
- Check the connections at the igniter socket.
- Place a jumper wire between the two leads on the 120°F (49°C) temperature sensor. If the igniter works. Replace the sensor
- If the igniter does not work. Replace the igniter.

NOTE: The igniter should be a bright yellow or bright orange in color. If not Replace the igniter.

WIRING DIAGRAM



EF - Iii WIRING DIAGRAM

WARRANTY

Sherwood Industries Ltd. gives a five year limited warranty on all steel manufactured parts. A one-year warranty is provided on all electrical components. The above limited warranties are extended only to the original purchaser.

There is no warranty on the following parts:

- fiberglass rope baskets
- refractory material
- burn pot liner
- paint
- enamel finish or gold plating where it applies, and,
- vacuum hose.

****NOTE:** The paint on the brick firebox lining may peel, this is due to the extreme conditions applied to the paint and is in no way covered under warranty.

WHEN FILLING A WARRANTY CLAIM PLEASE COMPLETE THE FOLLOWING INFORMATION ON AN OFFICIAL WARRANTY CLAIM FORM:

TO THE DEALER:

- Name, Address and Telephone Number of purchaser and date of purchase.
- Date of Installation. Name of the installer and dealer. Serial Number of the appliance. Nature of the complaint, defects or malfunction, description and part # of any parts replaced.

TO THE DISTRIBUTOR:

- Sign and verify that work and information are correct.

ENSURE THAT YOU SPECIFY THE NATURE OF THE COMPLAINT, DEFECT, PERIODICAL MALFUNCTION, ETC.

The limited warranty covers defects in materials and workmanship as long as the products has been installed according to the manual's instruction. If the product is damaged or broken as a result of mishandling or misuse, the warranty does not apply. Removal and re-installation costs are not covered under this warranty.

It is the manufacturer's option whether to repair or replace the appliance. The shipping cost to and from the factory is paid by the consumer. All warranties by the manufacturer are set forth herein and no claim shall be made against the manufacturer on any oral warranty or representation.

Sherwood Industries Ltd. assumes no responsibility for damage caused by household power fluctuations or power surges.

Under Warranty

For the do-it-yourself Individual

The consumer should be aware that the pellet appliance needs setting using tools that he/she might not have. Consult an ENVIROFIRE dealer. It is recommended than only an authorized ENVIROFIRE dealer installs an ENVIROFIRE unit. There will be no warranty coverage on parts destroyed or burnt out as a result of a consumer installation error or defect.

Sherwood Industries Ltd. reserves the right to make changes without any notice.

E-MAIL ADDRESS (envirofire@home.com)

WEB SITE ADDRESS ([www. Envirofire.biz](http://www.Envirofire.biz))