



Wiring Kit & Instructions 1-00-29045  
ACCENTRA and XXV  
To use when replacing a Bay Motor blower  
with an EBM blower

---

---

**Kit Contents-**

**Need for ACC**

- 5 - Wire ties 3-40-69752
- 1 - 6-32 x 1/2 screw 3-30-606320501
- 1 - 6-32 nut 3-30-8006321
- 1 - Ground post 3-20-14911
- 3 - 1/4" Female disconnects 3-20-00959

**Need for XXV**

- 7 - Wire ties 3-40-69752
  - 3 - 1/4" Female disconnects 3-20-00959
- 
- 

ACC instructions Page 2  
XXV instructions Page 3-4

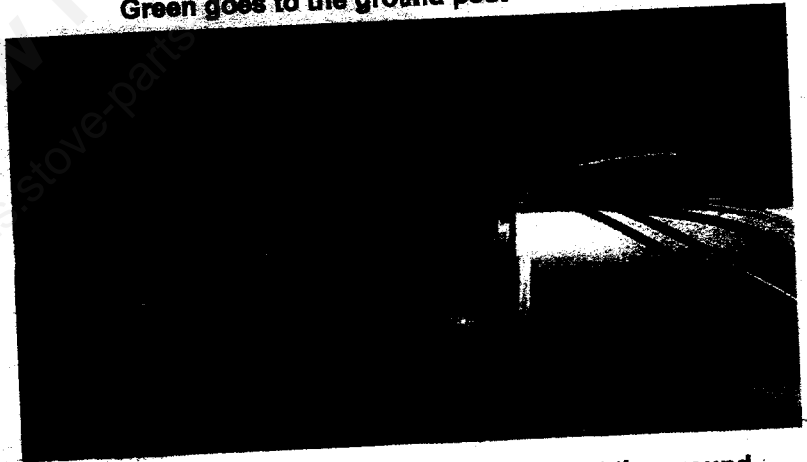
## How to replace blower on Accentra-

- Disconnect the stove from electrical power.
- Remove the rear access panels from the stove.
- Remove the two 5/16" screws that hold the bottom screen in place.
- Cut the wire tie that holds the power cord. Lay the assembly to the side as far as the power cord permits.
- Remove the two 1/4" bolts that hold the blower and the mounting plate.
- If the old blower is-  
 EBM, the wire terminals will disconnect from the blower.  
 Bay Motor, all wires get cut as close to the blower as possible.
- Remove the old blower from the mounting plate and replace with the new blower.
- Install the ground post onto the new blower housing as shown.

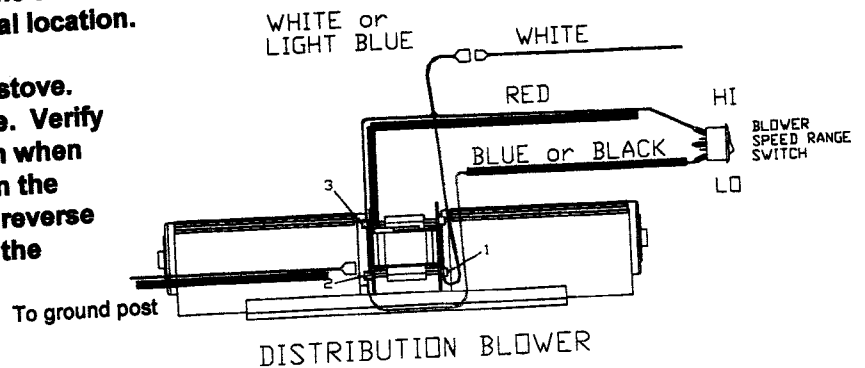
Ground post



- Set the blower assembly back into place.
- Strip the wires and install terminal ends (provided) onto the wires that were cut.
- Connect the wires to the proper terminals on the blower motor.  
 Light blue or white goes to terminal 1  
 Red goes to terminal 3  
 Dark blue or black goes to terminal 2  
 Green goes to the ground post
- Tie the wires together as shown.



- Install the bolts and washers that hold the blower assembly in place. Check that the ground wire and the post on the blower have clearance to the shield. If they touch, gently bend the ground post out of the way.
- Install the bottom screen onto the stove and secure it with the screws that were removed.
- Tie the power cord to the original location.
- Replace the rear access panels.
- Restore electrical power to the stove.
- Turn the feed knob to test mode. Verify the blower speed slows down when switching from high to low on the rocker switch. If it does not, reverse the top and bottom wires on the rocker switch.



## How to replace blower on XXV-

- Disconnect the stove from electrical power.
- Remove the rear access panels from the stove.
- Disconnect the wires that go to the blower.

- Loosen the two 5/16" screws located behind the ash door spring on the right side of the stove when facing the front.



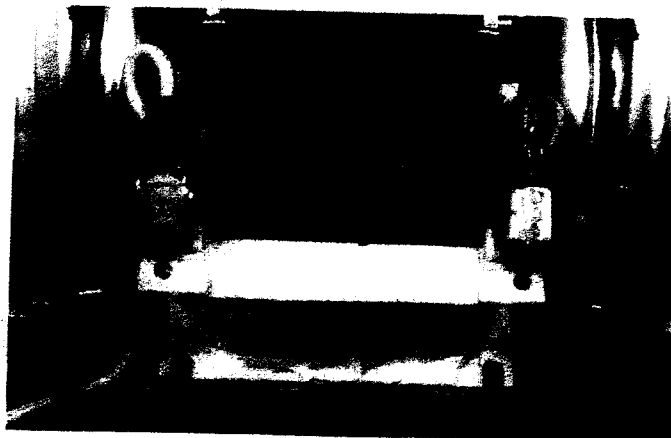
- Remove the two inner 5/16" screws (shown) from the bottom of the left side of stove when facing the front. (Picture shown is looking from the back of the stove)

- Lower the blower assembly, left side first. Unhook the right side and slide it out from under the stove.



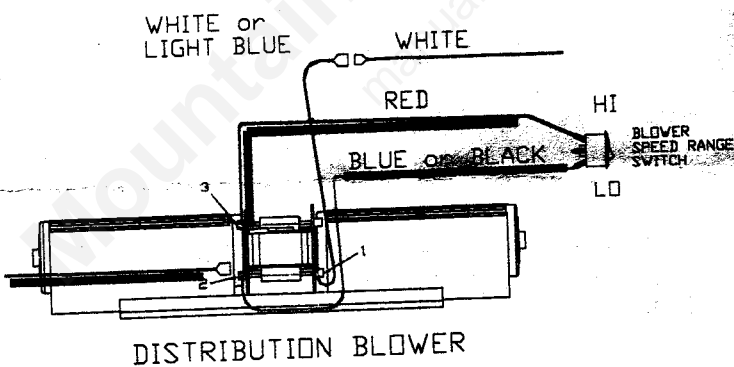
- Cut the ties that hold the wires to the carrier.
- Remove the 8 screws that hold the blower to the carrier and separate.  
If the old blower is an EBМ, the wire terminals will disconnect from the blower.  
If the old blower is a Bay Motor, all wires get cut as close to the blower as possible.  
The green ground wire will not be used so it can be discarded.
- Strip the wires and install the terminal ends (provided) onto the wires that were cut.

- Connect the wires to the proper terminals on the blower motor.  
Light blue or white goes to terminal 1  
Dark blue or black goes to terminal 2  
Red goes to terminal 3
- Gently bend the terminals upward to a 40 degree angle.
- Tie all wires to terminal ends as shown.  
When done the wires and wire tie ends cannot be under the plastic part of the motor windings due to clearance.





- Mount the blower onto the housing, keeping the wires out from between the motor coil and the blower housing.
- Run the wiring as shown putting the protective sleeve over the wires where they are tied to the metal housing. Be sure to route and tie the wires as shown above for ease in installation.
- Slide the blower assembly back under the stove.
- Lift the right side of the blower, leaving the left side hang down.
- Slip the lip of the blower housing over the bolts that were loosened to remove the blower.
- Lift the left side up while guiding the wires into the back of the stove and install the 2 mounting screws. Tighten all 4 mounting screws.
- Connect the wires as shown in the diagram.  
Red to the top of the speed switch      Dark blue or black to the bottom.
- Tie the wires together to keep them away from any moving parts and away from any sharp edges.



- Replace the rear access panels
- Restore the electrical power to the stove.
- Turn the feed knob to test mode. Verify the blower speed slows down when switching from high to low on the rocker switch. If it does not, reverse the top and bottom wires on the rocker switch.