



Installation Manual

Installation and Appliance Setup



INSTALLER: Leave this manual with party responsible for use and operation.
OWNER: Retain this manual for future reference.

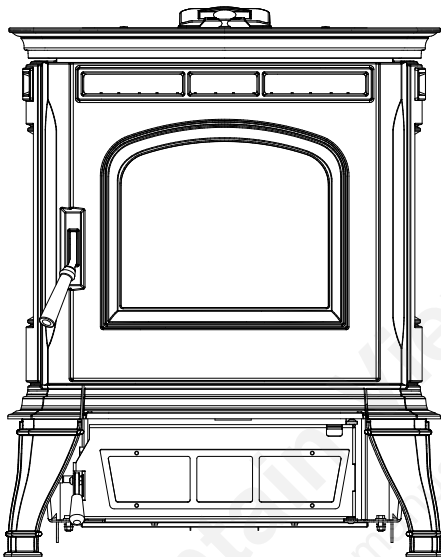
NOTICE: SAVE THESE INSTRUCTIONS

HARMAN®

BUILT TO A STANDARD, NOT A PRICE

Model(s):

Absolute43 Freestanding Pellet Stove



WARNING

This product and the fuels used to operate this product (wood), and the products of combustion of such fuels, can expose you to chemicals including carbon black, which is known to the State of California to cause cancer, and carbon monoxide, which is known to the State of California to cause birth defects or other reproductive harm. For more information go to: www.P65Warnings.ca.gov

CAUTION

Tested and approved for wood pellet fuel only. Burning of any other type of fuel voids your warranty.

WARNING



Please read this entire manual before installation and use of this pellet fuel-burning room heater.

Failure to follow these instructions could result in property damage, bodily injury or even death.

- Do not store or use gasoline or other flammable vapors and liquids in the vicinity of this or any other appliance.
- Do not overfire - If any external part starts to glow, you are overfiring. Reduce feed rate. Overfiring will void your warranty.
- Comply with all minimum clearances to combustibles as specified. Failure to comply may cause house fire.

WARNING



HOT SURFACES!

Glass and other surfaces are hot during operation AND cool down.

Hot glass will cause burns.

- Do not touch glass until it is cooled
 - NEVER allow children to touch glass
 - Keep children away
 - CAREFULLY SUPERVISE children in same room as stove.
 - Alert children and adults to hazards of high temperatures.
- High temperatures may ignite clothing or other flammable materials.**
- Keep clothing, furniture, draperies and other flammable materials away.

NOTE

To obtain a French translation of this manual, please contact your dealer or visit www.harmanstoves.com

Pour obtenir une traduction française de ce manuel, s'il vous plaît contacter votre revendeur ou visitez www.harmanstoves.com

TABLE OF CONTENTS

Installation Standard Work Checklist 3

1 Product Specific and Important Safety Information

A. Appliance Certification 4
B. Glass Specifications 4
C. Mobile Home Approvals 4
D. BTU Specifications 4
E. Electrical Codes 4

2 Getting Started

A. Design and Installation Considerations 5
B. Tools and Supplies Needed 6
C. Inspect Appliance and Components 6

3 Framing and Clearances

A. Appliance Dimension Diagram 7
B. Non-Combustible Materials Specification 8
C. Combustible Materials Specification 8
D. Clearances to Combustibles 8
E. Floor Protection 9
F. Mobile Home Installation 9

4 Termination Location and Vent Information

A. Vent Termination Minimum Clearances 10
B. Chimney Diagram 15
C. Venting & Use of Elbows 16
D. Outside Air 18
E. Locating Your Appliance and Chimney 19
F. Draft 19
G. Negative Pressure 19
H. Avoiding Smoke & Odors 20
I. Fire Safety 21
J. Inspect Appliance & Components 21

5 Appliance Setup

A. Unpacking 22
B. Firebox Draft and Combustion Fan RPM 22

6 Reference Materials

A. Safety Reminders 23
B. Wiring Diagram 24

→ = Contains updated information

Safety Alert Key:

- **DANGER!** Indicates a hazardous situation which, if not avoided will result in death or serious injury.
- **WARNING!** Indicates a hazardous situation which, if not avoided could result in death or serious injury.
- **CAUTION!** Indicates a hazardous situation which, if not avoided, could result in minor or moderate injury.
- **NOTICE:** Indicates practices which may cause damage to the stove or to property.

Installation Standard Work Checklist

ATTENTION INSTALLER: Follow this Standard Work Checklist

This standard work checklist is to be used by the installer in conjunction with, not instead of, the instructions contained in this installation manual.

Customer: _____ Lot/Address: _____ Model: _____	Date Installed: _____ Location of Stove: _____ Installer: _____ Dealer/Distributor Ph # _____ Serial Number: _____
--	---

WARNING! Risk of Fire or Explosion! Failure to install appliance to these instructions can lead to a fire or explosion.

Appliance Install Section 3

	YES	IF NO, WHY?
Required non-combustible floor protection	<input type="checkbox"/>	_____
Verified clearances to combustible.	<input type="checkbox"/>	_____
Unit is Leveled and secured.	<input type="checkbox"/>	_____

Venting/Chimney Section 4

Venting Configuration complies to vent diagrams.	<input type="checkbox"/>	_____
Venting installed, sealed and secured in place with proper clearances.	<input type="checkbox"/>	_____
Exterior wall/roof flashing installed and sealed	<input type="checkbox"/>	_____
Terminations installed and sealed.	<input type="checkbox"/>	_____

Electrical Section 1

120 VAC unswitched power provided to the appliance.	<input type="checkbox"/>	_____
Check outlet with multi-meter for proper voltage. (115-120 VAC)	<input type="checkbox"/>	_____
Record voltage reading: _____		

Appliance Setup Section 5

All packaging and protective materials are removed	<input type="checkbox"/>	_____
Accessories installed properly	<input type="checkbox"/>	_____
Manual bag and all it's contents are removed from inside the appliance and given to party responsible for use and operation	<input type="checkbox"/>	_____
Started appliance and verified that all motors and blowers operate as they should.	<input type="checkbox"/>	_____
Checked draft using a Manometer. Record readings: _____	<input type="checkbox"/>	_____

Hearth and Home Technologies recommends the following:
 Photographing the installation and copying this checklist for your file.
 This checklist remain visible at all times on the appliance until the installation is complete.

Comments: Further description of the issues, who is responsible (Installer/Builder/Other Trades, etc.) and corrective action needed _____

Comments communicated to party responsible _____ by _____ on _____
 (Builder / Gen Contractor) (Installer) (Date)

1 Product Specific and Important Safety Information

A. Appliance Certification

MODEL:	Absolute43 Pellet Stove
LABORATORY:	OMNI Test Laboratories, Inc
REPORT NO.	135-S-32-2
TYPE:	Pellet Fueled/Supplementary For Residential Use
STANDARD(s):	ASTM E1509-12, ULC-S627-00, EPA Method 28 & 5G

The Absolute43 is Certified to comply with 2015 particulate emission standards. Not approved for sale after May 15, 2020.



NOTE: This installation must conform with local codes. In the absence of local codes you must comply with the **ASTM E1509-2004, ULC S628-93, (UM) 84-HUD**

B. Glass Specifications

This appliance is equipped with 5mm mirrored ceramic glass. Replace glass only with 5mm mirrored ceramic glass. Please contact your dealer for replacement glass.

C. Mobile Home Approved

This appliance is approved for mobile home installations when not installed in a sleeping room and when an outside combustion air inlet is provided.

The structural integrity of the mobile home floor, ceiling, and walls must be maintained. The appliance must be properly grounded to the frame of the mobile home and use only listed pellet vent, Class "PL" connector pipe.

A Harman® Outside Air Kit must be installed in a mobile home installation.



WARNING

THE STRUCTURAL INTEGRITY OF THE MANUFACTURED HOME FLOOR, WALL, AND CEILING/ROOF MUST BE MAINTAINED.

DO NOT INSTALL IN SLEEPING ROOM.

D. BTU & Efficiency Specifications

EPA Certification Number:	967-14
EPA Certified Emissions:	1.8 g/hr
*LHV Tested Efficiency:	78%
**HHV Tested Efficiency:	69.3%
***EPA BTU Output:	11,800 - 33,900
****BTU Input	15,800 - 45,300
Vent Size:	3 Inch
Hopper Capacity:	52 lbs
Fuel	Wood Pellet

* *Weighted average LHV efficiency using data collected during EPA emissions test.*

** *Weighted average HHV efficiency using data collected during EPA emissions test.*

*** *A range of BTU outputs based on EPA Default Efficiency and the burn rates from the low and high EPA tests.*

**** *Based on the maximum feed rate per hour multiplied by approximately 8600 BTU's which is the average BTU's from a pound of pellets.*

This wood heater has a manufacturer-set minimum low burn rate that must not be altered. It is against federal regulations to alter this setting or otherwise operate this wood heater in a manner inconsistent with operating instructions in this manual.

This wood heater needs periodic inspection and repair for proper operation. It is against federal regulations to operate this wood heater in a manner inconsistent with operating instructions in this manual.

E. Electrical Codes

115 VAC, 60 Hz, Start 4.0 Amps, Run 3.0 Amps

NOTE: Some generator or battery back-up systems may not be compatible with the micro-processor electronics on this appliance. Please consult the power supply manufacturer for compatible systems.

NOTE: Hearth & Home Technologies, manufacturer of this appliance, reserves the right to alter its products, their specifications and/or price without notice.

Harman® is a registered trademark of Hearth & Home Technologies.

2 Getting Started

A. Design and Installation Considerations

1. Appliance Location

NOTICE: Check building codes prior to installation.

- Installation MUST comply with local, regional, state and national codes and regulations.
- Consult insurance carrier, local building inspector, fire officials or authorities having jurisdiction over restrictions, installation inspection and permits.

It is a good idea to plan your installation on paper, using exact measurements for clearances and floor protection, before actually beginning the installation

Consideration must be given to:

- Safety, convenience, traffic flow
- Placement of the chimney and chimney connector.
- If you are not using an existing chimney, place the appliance where there will be a clear passage for a factory-built listed chimney through the ceiling and roof.
- Installing an optional outside air kit would affect the location of the vent termination.

NOTICE: Locating the appliance in a location of considerable air movement can cause intermittent smoke spillage from appliance. Do not locate appliance near:

- Frequently open doors
- Central heat outlets or returns

Since pellet exhaust can contain ash, soot or sparks, you must consider the location of:

- Windows
- Air Intakes
- Air Conditioner
- Overhang, soffits, porch roofs, adjacent walls
- Landscaping, vegetation

When locating vent and venting termination, vent above roof line when possible.

WARNING



Risk of Fire!

Damaged parts could impair safe operation. Do NOT install damaged, incomplete or substitute components.

CAUTION

Check building codes prior to installation.

- Installation MUST comply with local, regional, state and national codes and regulations.
- Contact local building or fire officials about restrictions and installation inspection requirements in your area.

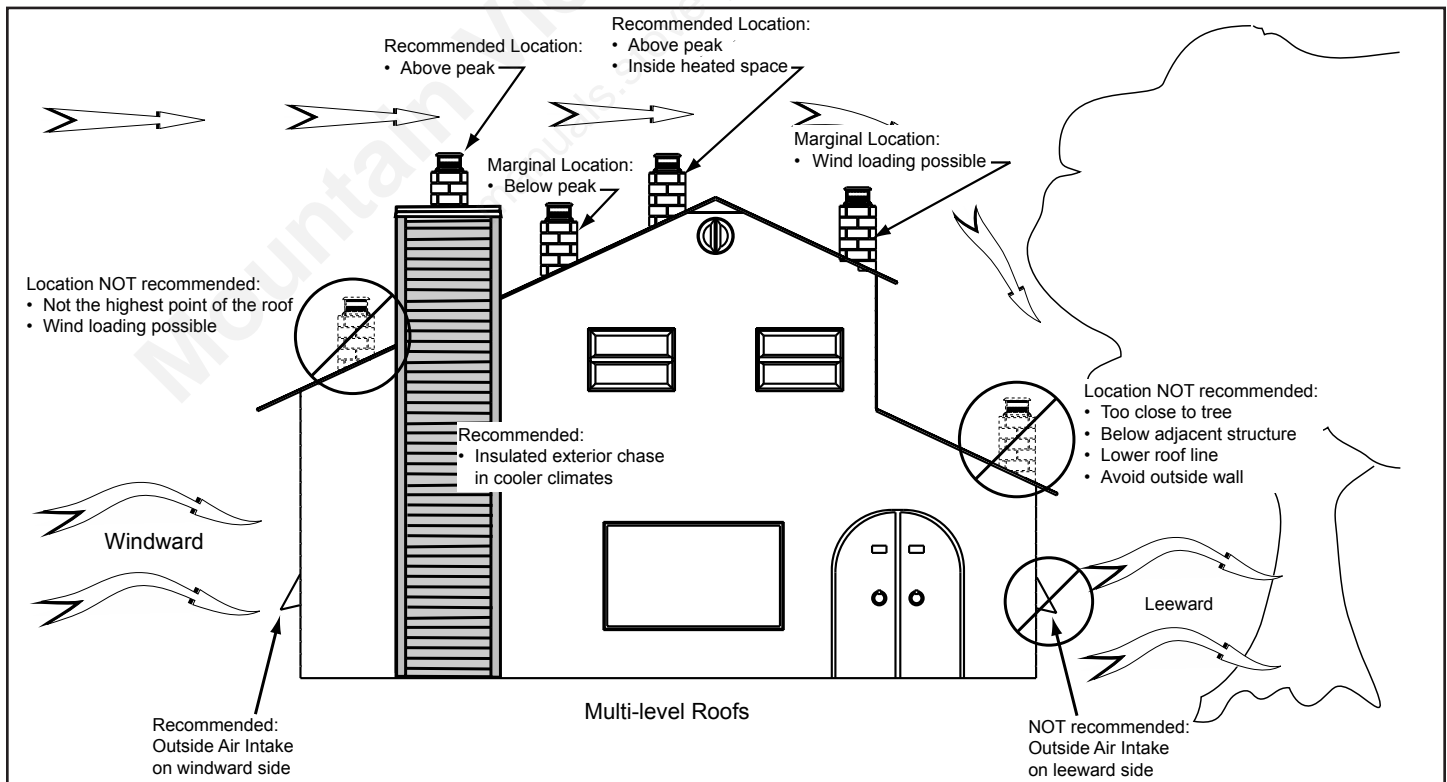


Figure 2.1

B. Tools And Supplies Needed

Tools and building supplies normally required for installation, unless installing into an existing masonry fireplace:

- Reciprocating Saw
 - Hammer
 - Phillips Screwdriver
 - Tape Measure
 - Level
 - Non-Combustible Sealant
 - Material
 - Gloves
 - Safety Glasses
 - Electric Drill & Bits
- May also need:**
- Vent Support Straps
 - Venting Paint

C. Inspect Appliance and Components

- Carefully remove the appliance and components from the packaging.
- Report to your dealer any parts damaged in shipment, particularly the condition of the glass.
- **Read all of the instructions before starting the installation. Follow these instructions carefully during the installation to ensure maximum safety and benefit.**

DO NOT:

- *Install or operate damaged appliance*
- *Modify appliance*
- *Install other than as instructed by Hearth & Home Technologies*
- *Operate the appliance without fully assembling all components*
- *Overfire*
- *Install any component not approved by Hearth & Home Technologies*
- *Install parts or components not Listed or approved.*
- *Disable safety switches*

Improper installation, adjustment, alteration, service or maintenance can cause injury or property damage.

For assistance or additional information, consult a qualified installer, service agency or your dealer.

Hearth & Home Technologies disclaims any responsibility for, and the warranty will be voided by the following actions:

- Installation and use of any damaged appliance or vent system component.
- Modification of the appliance or vent system.
- Installation other than as instructed by Hearth & Home Technologies.
- Installation and/or use of any component part not approved by Hearth & Home Technologies.

Any such action may cause a fire hazard.



WARNING

Risk of Fire, Explosion or Electric Shock! DO NOT use this appliance if any part has been under water. Call a qualified service technician to inspect the appliance and to replace any part of the control system which has been under water.



WARNING



***RISK OF FIRE OR EXPLOSION!
DAMAGED PARTS COULD IMPAIR SAFE OPERATION. DO NOT install damaged, incomplete or substitute components.
Keep appliance dry.***

3 Clearances

A. Appliance Dimension Diagram

Dimensions are actual appliance dimensions. Use for reference only.

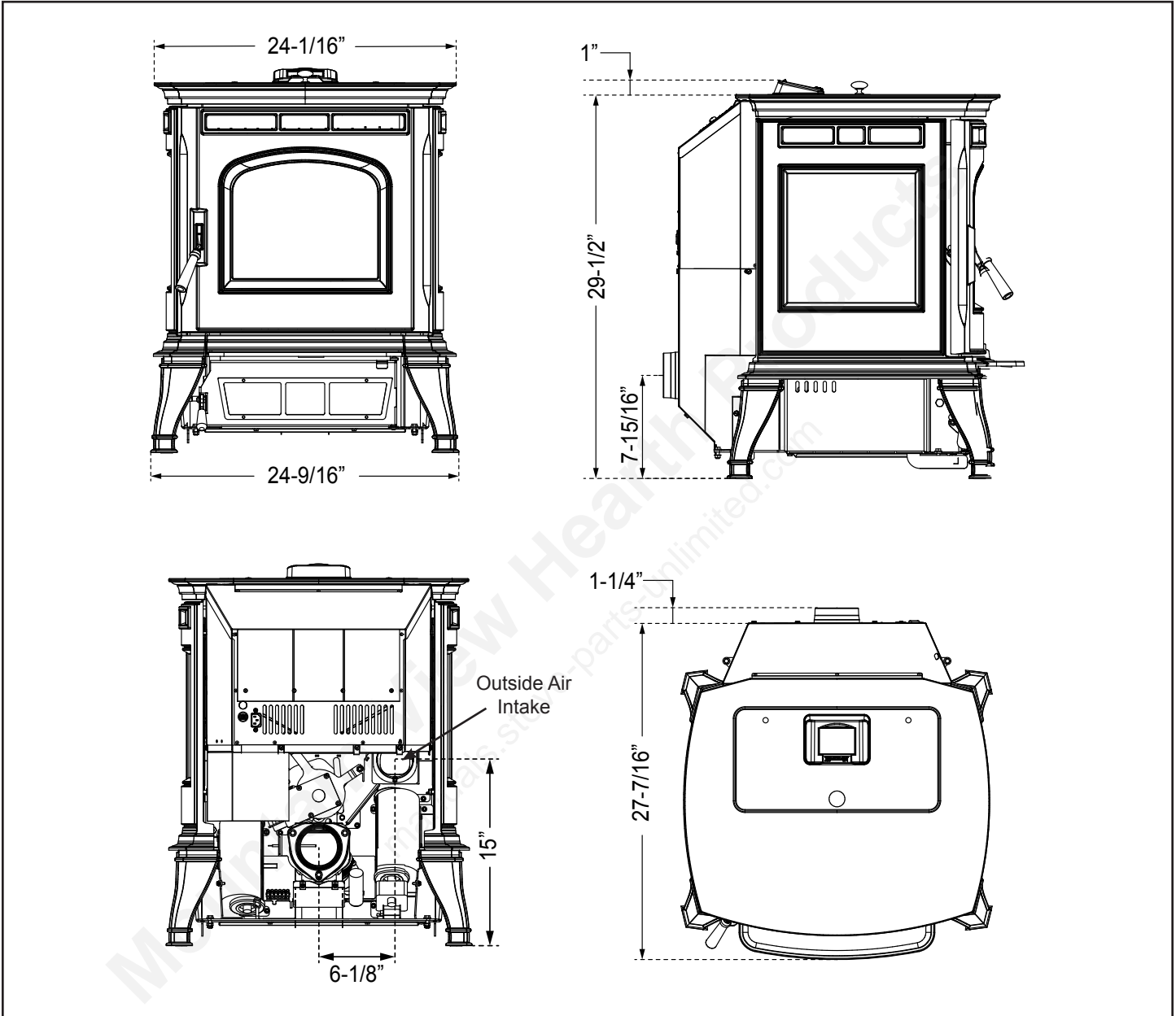


Figure 3.1

B. Non-Combustible Materials Specification

Material which will not ignite and burn. Such materials are those consisting entirely of steel, iron, brick, tile, concrete, slate, glass or plasters, or any combination thereof.

Materials that are reported as passing **ASTM E 136, Standard Test Method for Behavior of Materials in a Vertical Tube Furnace at 750° C** and **UL763** shall be considered non-combustible materials.

C. Combustible Materials Specification

Materials made of or surfaced with wood, compressed paper, plant fibers, plastics, or other material that can ignite and burn, whether flame proofed or not, or plastered or unplastered shall be considered combustible materials.

D. Clearances to Combustibles

When selecting a location for the appliance it is important to consider the required clearances to walls (see Figure 3.2).



WARNING

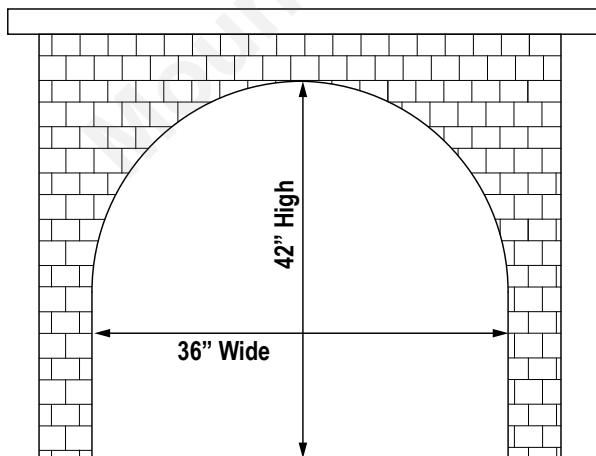
RISK OF FIRE OR BURNS! Provide adequate clearance around air openings and for service access. Due to high temperatures, the appliance should be located out of traffic and away from furniture and draperies.

NOTICE: Illustrations reflect typical installations and are FOR DESIGN PURPOSES ONLY. Actual installation may vary due to individual design preference.

Place the stove away from combustible walls at least as far as shown in Figure 3.2.

Note that the clearances shown are minimum for safety but do not leave much room for access when cleaning or servicing. Please take this into account when placing the stove.

When installing the unit into an alcove it is important to consider the required clearances listed below.



Height = 42", Width = 36, Depth = 24"

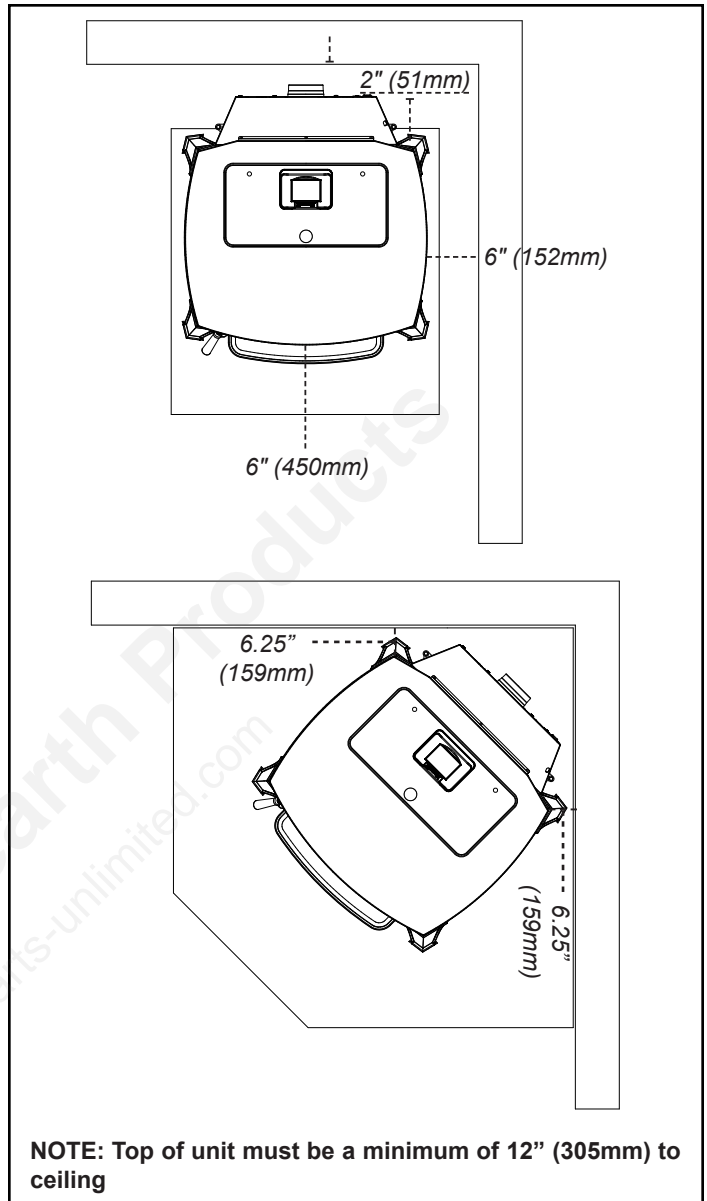


Figure 3.2



CAUTION

THIS APPLIANCE MUST BE VENTED TO THE OUTSIDE.

NOTICE: Clearances may only be reduced by means approved by the regulatory authority having jurisdiction.

Due to high temperatures, the stove should be placed away from traffic, furniture and draperies.

Children and adults should be alerted to the hazards of high surface temperatures and should stay away to avoid burns to skin and/or clothing.

Young children should be carefully supervised when they are in the same room as the stove.

Clothing and other flammable materials should not be placed on or near this unit.

E. Floor Protection

Parallel Installation:

Place the stove on a noncombustible floor or floor protector that extends a minimum of 6 inches (152mm) to the front of the load door opening, 6 inches (152mm) to the sides of the door opening, and 1 inches to the rear.

The minimum floor protector material is 20 gauge sheet metal. Other floor protector materials are ceramic tile, stone, brick, etc.

Minimum Size floor protection is 25-7/8" wide By 28" deep (658mm X 711mm). Figure 3.3

Venting:

US - Follow PL vent manufacturers recommendations when configuring vent pipe installation.

Canada - Must extend 2" (51mm) beyond each side of any horizontal flue pipe.

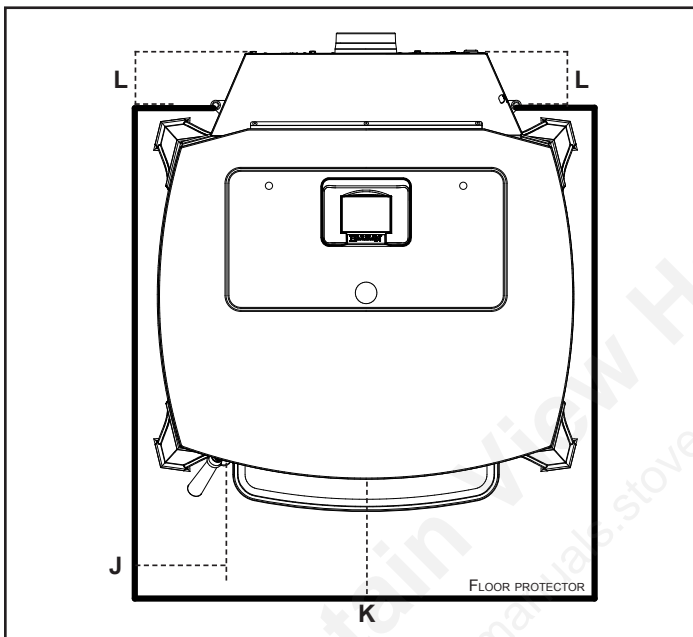


Figure 3.3

Floor Protection Requirements		US	Canada
J	Sides	6"	152mm
K	Front	6"	152mm
L	Rear	1"	25mm

Corner Installation:

Minimum size floor protection for a corner installation hearth pad is 25-7/8" Wide By 28" Deep (658mm X 711mm). **Note:** **Floor protector WILL NOT touch the wall using minimum clearances.**

If corner floor protection is desired to touch the wall, the floor protection will need to be at least 36" x 36" (914mm x 914mm).

Note: **This will allow the floor protection to touch the wall as shown. Figure 3.4.**

Alternate floor protector dimension may be used as long as they satisfy the measurement requirements shown below.

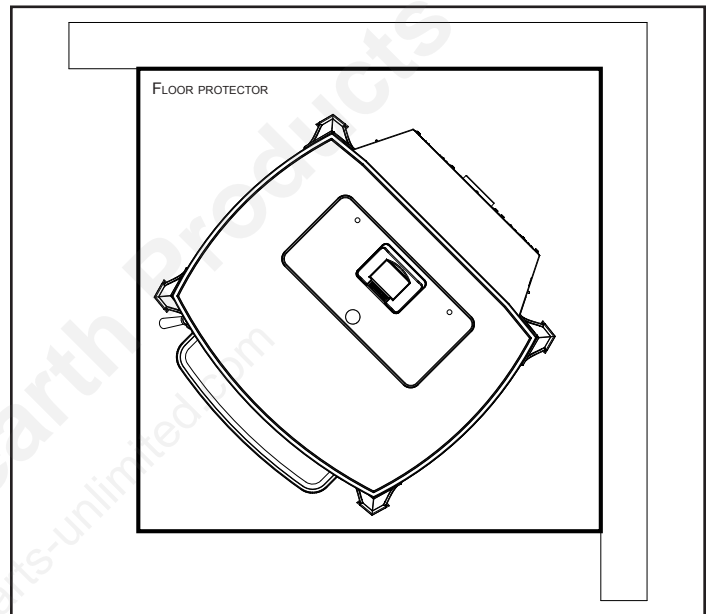


Figure 3.4

F. Mobile Home Installation

When installing this unit in a mobile home, several requirements must be followed:

1. The unit must be bolted to the floor. This can be done using an appropriate fastener for the application.
2. The unit must be connected to an outside combustion air inlet. Proper supports and spark arresters must be considered when installing venting. See "Termination Location and Vent Information" Section D.
3. Floor protection and clearances must be followed as shown.
4. The appliance must be properly grounded to the frame of the mobile home using a minimum of 8 AWG copper solid or stranded, insulated or bare wire or equivalent.

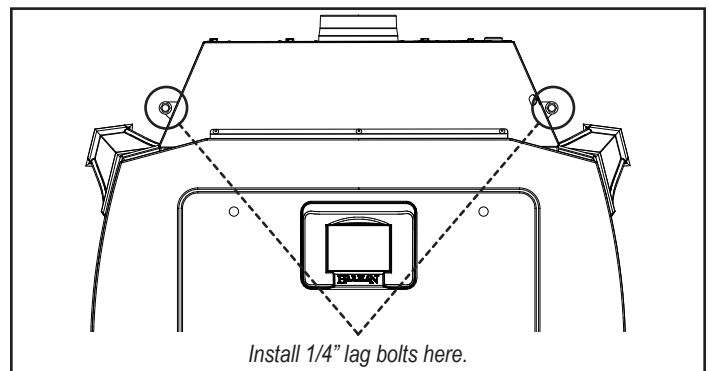


Figure 3.5

4 Termination Location and Vent Information

A. Vent Termination Minimum Clearances

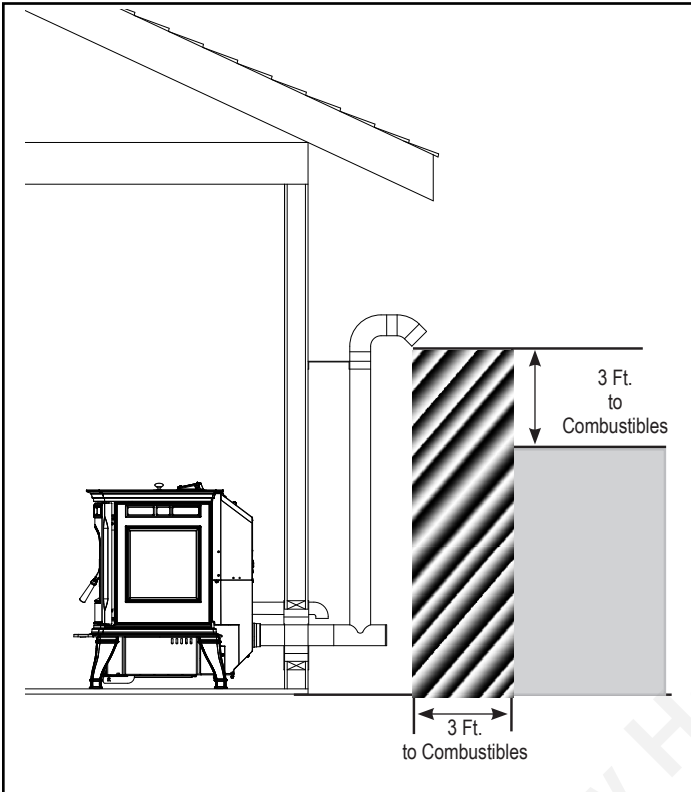


Figure 4.1

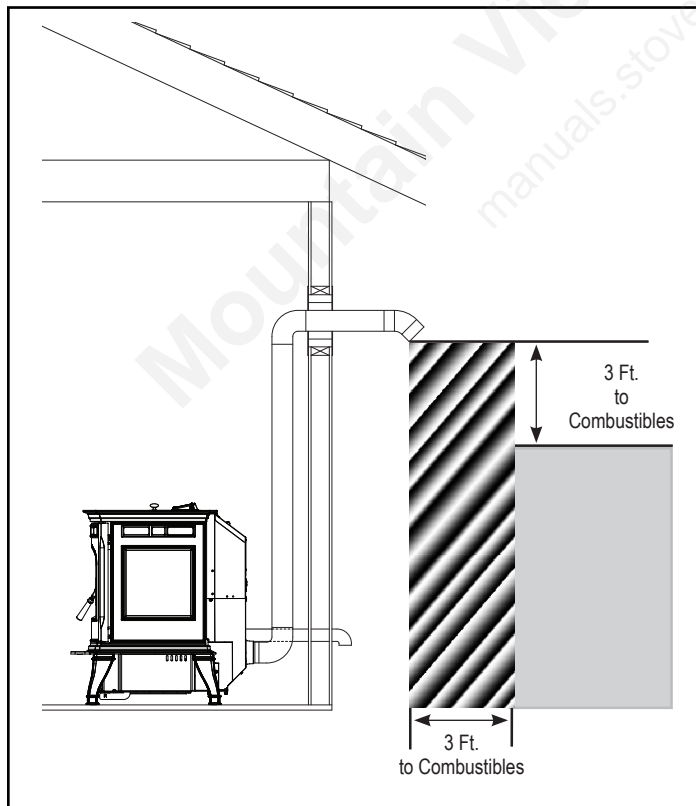


Figure 4.2

#1 Preferred method (Figure 4.1)

This method provides excellent venting for normal operation and allows the stove to be installed closest to the wall. Two inches from the wall is safe; however, four inches allows better access to remove the rear panel. The vertical portion of the vent should be three to five feet high. This vertical section will help provide natural draft in the event of a power failure.

Seal pipe joints with silicone or aluminum tape in addition to the sealing system used by the manufacturer.

Note: Do not place joints within wall pass-through.

THE CHIMNEY MUST BE OF A TYPE SUITABLE FOR SOLID-FUEL BURNING.



WARNING

THE CHIMNEY AND CONNECTOR MUST BE MAINTAINED IN GOOD CONDITION AND KEPT CLEAN.



CAUTION

DO NOT USE MAKESHIFT COMPROMISES WHEN INSTALLING THIS APPLIANCE. DAMAGE AND/OR INJURY MAY RESULT.

#2 Preferred method (Figure 4.2)

This method also provides excellent venting for normal operation but requires the stove to be installed farther from the wall. The vertical portion of the vent should be three to five feet high and at least 1" from a combustible wall. This vertical section will provide natural draft in the event of a power failure.

Seal pipe joints with silicone or aluminum tape in addition to the sealing system used by the manufacturer.

If the stove is installed below grade be sure the vent termination is at least 12" above grade (**with outside air only**). The outlet must also be 1 foot from the house/building.

Note: Do not place joints within wall pass-through.



CAUTION

Keep combustible materials (such as grass, leaves, etc.) at least 3 feet away from the flue outlet on the outside of the building.

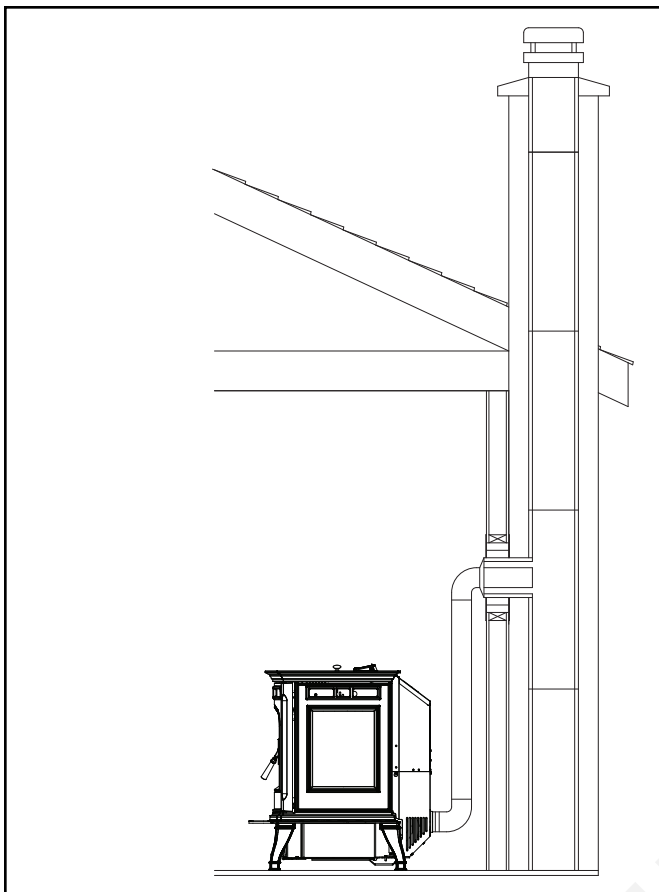


Figure 4.3

#3 Installing into an existing chimney (Figure 4.3)

This method provides excellent venting for normal operation. This method also provides natural draft in the event of a power failure. If the chimney condition is questionable* you may want to install a liner as in method #6.

In some places in the US and Canada it is required that the vent pipe extend all the way to the top of the chimney.

*The chimney should be inspected and cleaned before installing your stove. If you discover that the chimney does not have a clay tile liner or has cracks or flaking of the tile liner you will need to install a stainless steel liner within the chimney. In most cases the inside diameter of this liner should be 4". Either flexible or rigid liner may be used for this purpose. Refer to Method 5 & 6. Seal pipe joints with silicone or aluminum tape in addition to the sealing system used by the manufacturer.

Be sure to design the venting so that it can be easily cleaned.

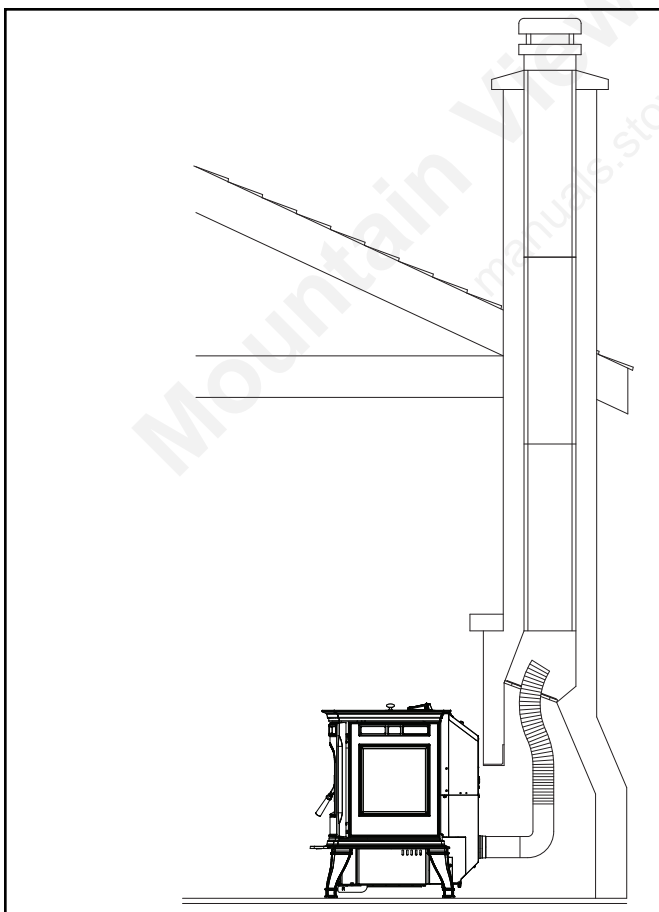


Figure 4.4

#4 Installing into an existing fireplace chimney (Figure 4.4)

This method provides excellent venting for normal operation. This method also provides natural draft in the event of a power failure. If the chimney condition is questionable* you may want to install a liner as in method #5.

In some places in the US and Canada it is required that the vent pipe extend all the way to the top of the chimney.

*The chimney should be inspected and cleaned before installing your stove. If you discover that the chimney does not have a clay tile liner or has cracks or flaking of the tile liner you will need to install a stainless steel liner within the chimney. In most cases the inside diameter of this liner should be 4". Either flexible or rigid liner may be used for this purpose. Refer to Method 5 & 6.

The chimney should be sealed at the damper using a steel plate. Kaowool, mineral wool or an equivalent non-combustible insulation is recommended to be installed on top of the sealing plate to reduce the possibility of condensation. The connector pipe should extend through the smoke chamber to the base or into the first flue tile. Seal pipe joints with silicone or aluminum tape in addition to the sealing system used by the manufacturer.

Be sure to design the venting so that it can be easily cleaned.

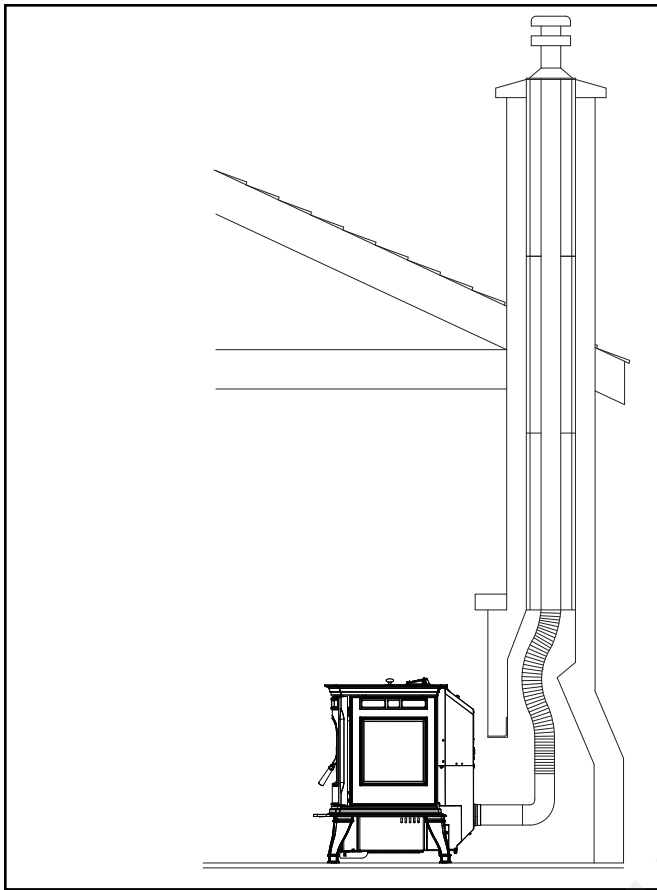


Figure 4.5

#5 Installing into an existing fireplace chimney (Figure 4.5) w/Full Liner

This method provides excellent venting for normal operation. This method also provides natural draft in the event of a power failure.

In some places in the US and Canada it is required that the vent pipe extend all the way to the top of the chimney. The pipe or liner inside the chimney should be 4" diameter.

In this method a cap should also be installed on the chimney to keep out rain. Be sure to use approved pellet vent pipe fittings. Seal pipe joints with silicone or aluminum tape in addition to the sealing system used by the manufacturer. Pipe size should be increased to 4" using this method.

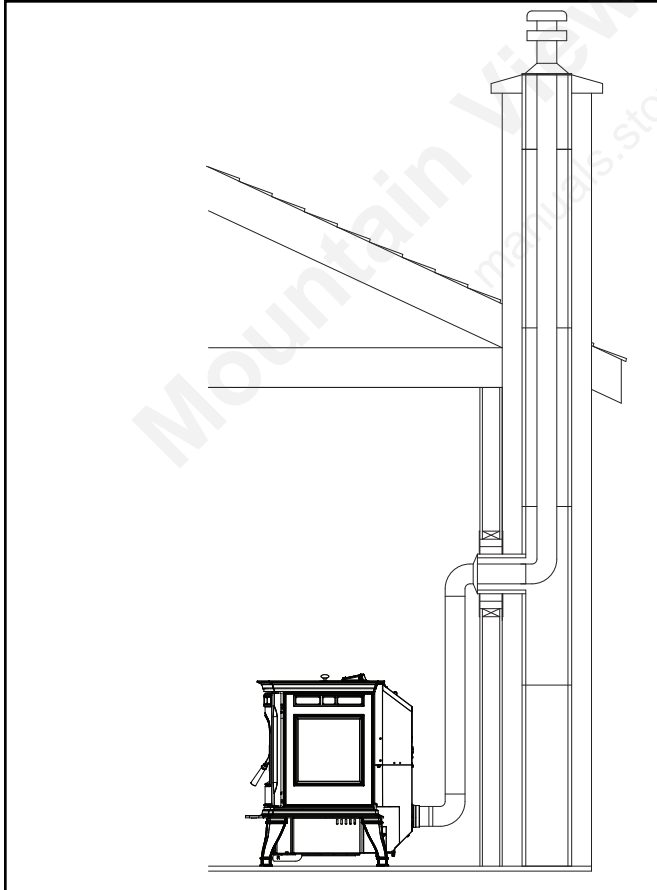


Figure 4.6

#6 Installing into an existing chimney (Figure 4.6) w/Full liner

This method provides excellent venting for normal operation. This method also provides natural draft in the event of a power failure.

In some places in the US and Canada it is required that the vent pipe extend all the way to the top of the chimney. Seal pipe joints with silicone or aluminum tape in addition to the sealing system used by the manufacturer. The pipe or liner inside the chimney should be 4" diameter.

In this method a cap should also be installed on the chimney to keep out rain.

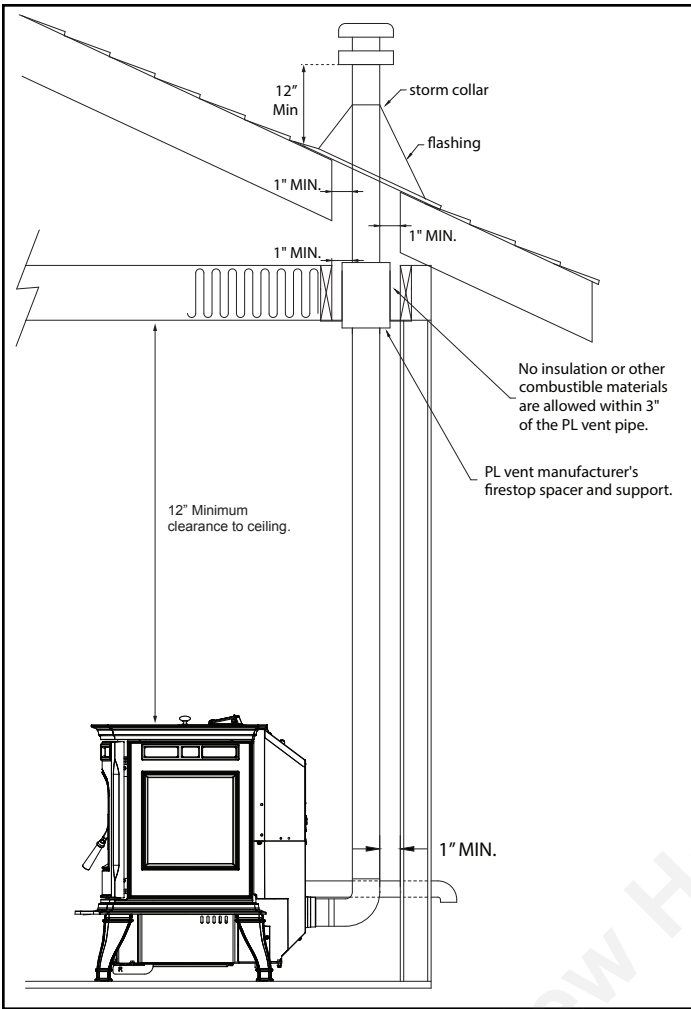


Figure 4.7

#7 Installing through the ceiling (Figure 4.7)

Follow PL vent manufacturers recommendations when using wall and ceiling pass through.

Seal pipe joints with silicone or aluminum tape in addition to the sealing system used by the manufacturer.

Note: Do not place joints within wall pass-through.

 CAUTION
<p>DO NOT USE MAKESHIFT COMPROMISES WHEN INSTALLING THIS APPLIANCE. DAMAGE AND/OR INJURY MAY RESULT.</p>

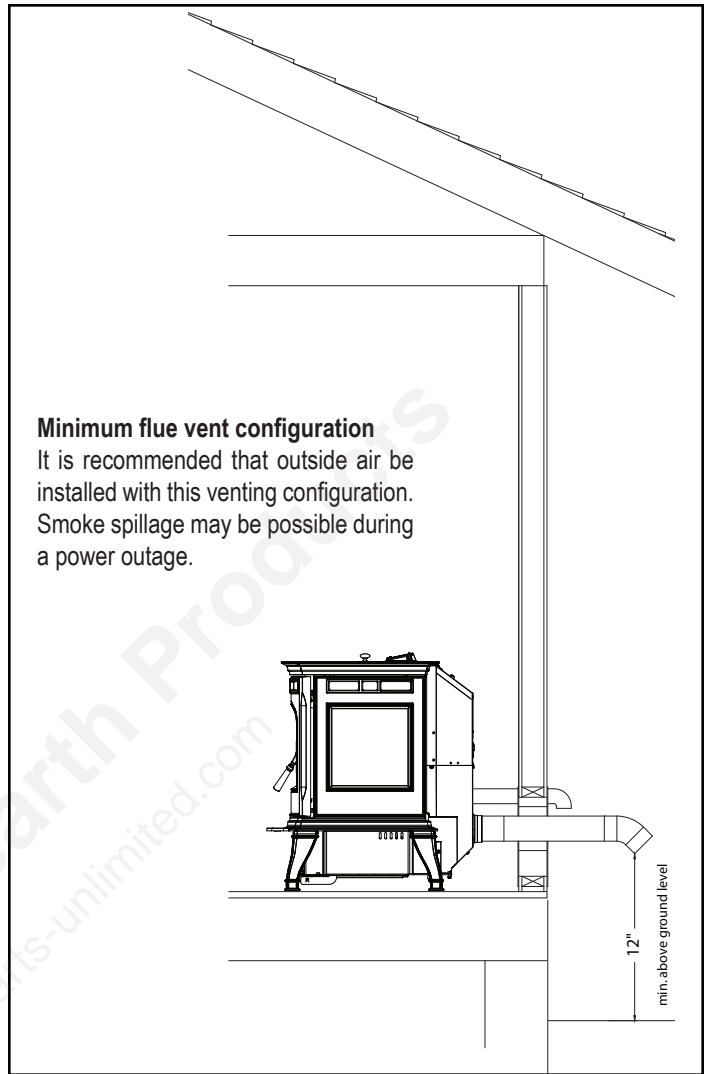


Figure 4.8

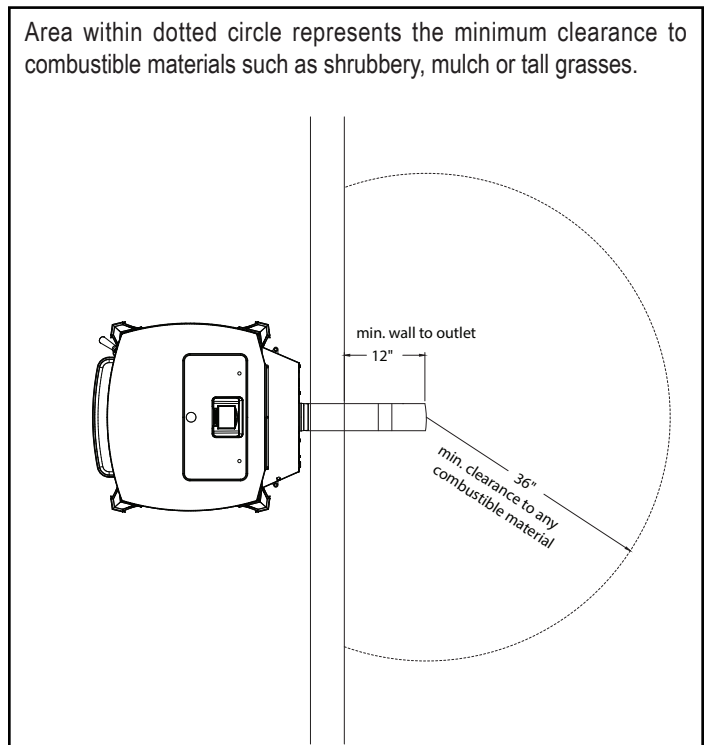


Figure 4.9

#8 Installing into an existing chimney using the Optional Top Vent option. (Figure 4.10)

This method provides excellent venting for normal operation. This method also provides natural draft in the event of a power failure. If the chimney condition is questionable* you may want to install a liner as in method #6.

In some places in the US and Canada it is required that the vent pipe extend all the way to the top of the chimney.

*The chimney should be inspected and cleaned before installing your stove. If you discover that the chimney does not have a clay tile liner or has cracks or flaking of the tile liner you will need to install a stainless steel liner within the chimney.

Be sure to design the venting so that it can be easily cleaned.

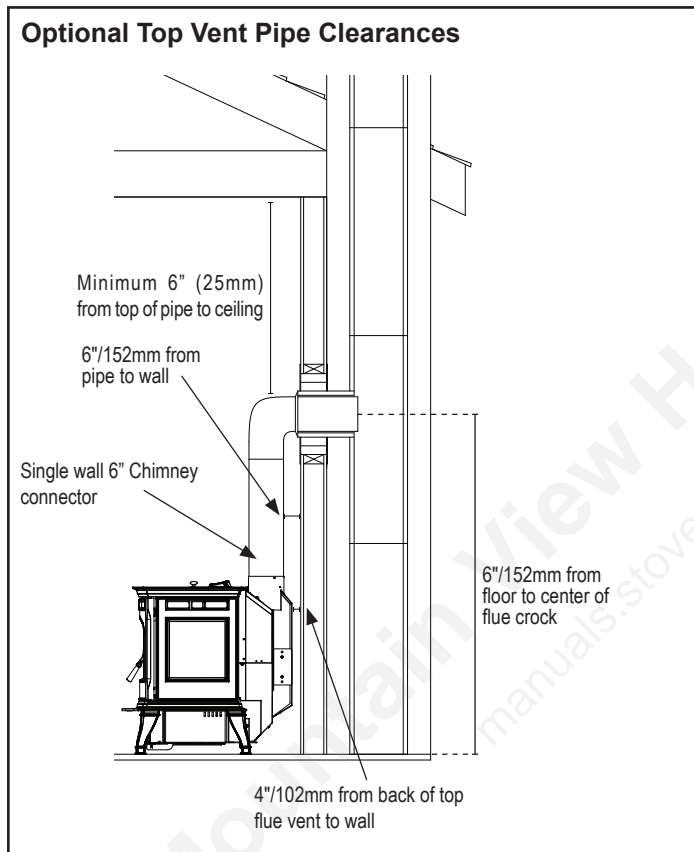
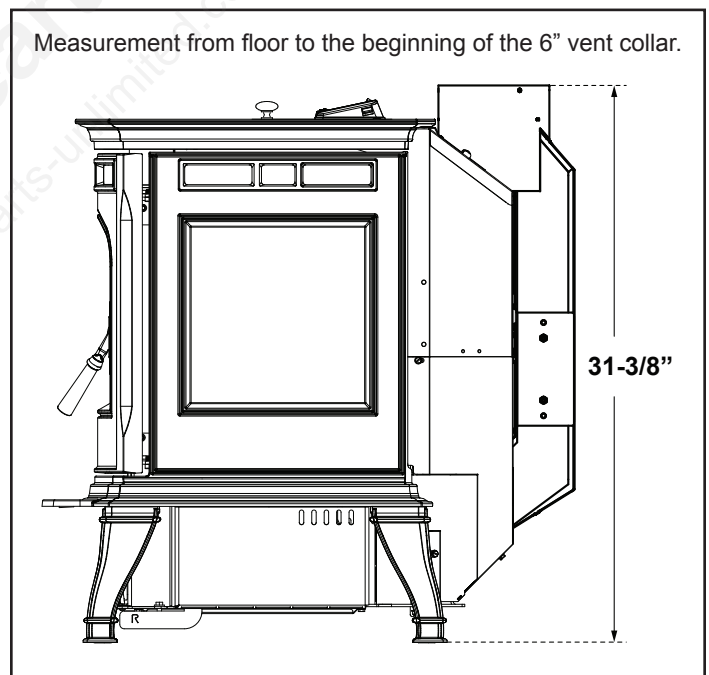
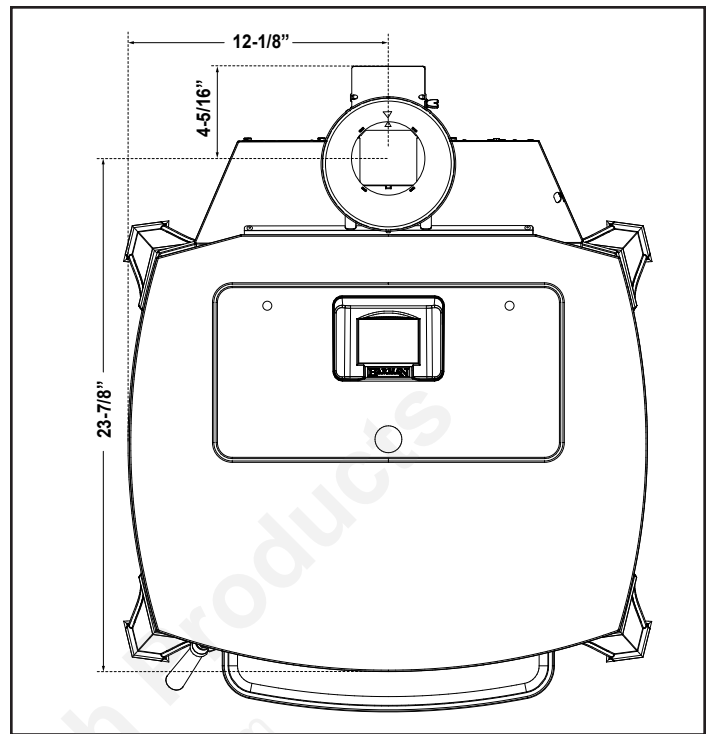


Figure 4.10
Chimney Connectors

- Seal single wall joints with silicone to prevent smoke leakage.
- Use three (3) screws at each Joint.



B. Chimney Diagram

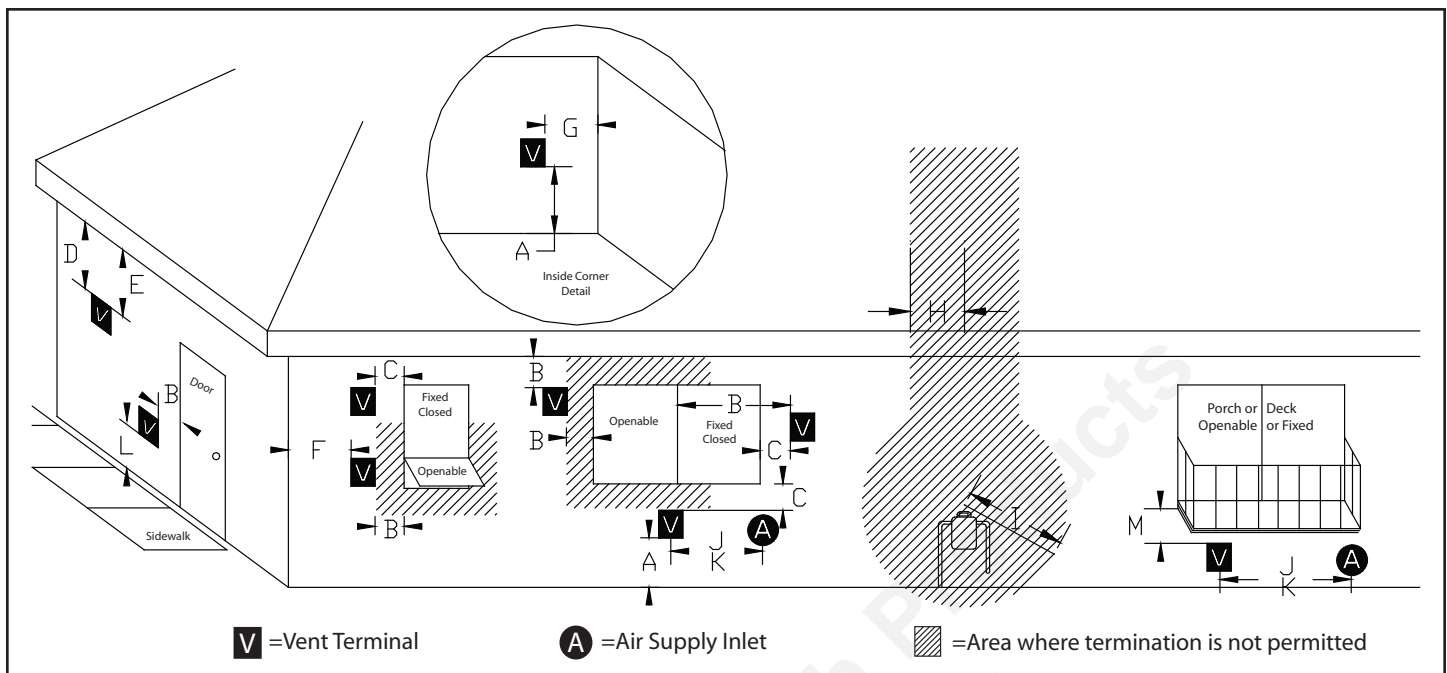


Figure 4.11

Requirements for Terminating the Venting

WARNING

Venting terminals must not be recessed into a wall or siding.

NOTE

Only PL vent pipe wall pass-through and fire stops should be used when venting through combustible materials.

Always take into consideration the effect the prevailing wind direction or other wind currents will cause with flash and /or smoke when placing the termination.

In addition, the following must be observed:

- A. The clearance above grade must be a minimum of 12".
- B. The clearance to a window or door that may be opened must be a minimum of 48" to the side, 48" below the window/door, 12" above the window/door. **(with outside air installed, 12" to side and below)**
- C. A 12" clearance to a permanently closed window is recommended to prevent condensation on the window.
- D. The vertical clearance to a ventilated soffit located above the terminal within a horizontal distance of 2 feet (60 cm) from the center-line of the terminal must be a minimum of 18".
- E. The clearance to an unventilated soffit must be a minimum of 12".
- F. The clearance to an outside corner is 11" from center of pipe.
- G. The clearance to an inside corner is 12".
- H. A vent must not be installed within 3 feet (90 cm) above a gas meter/regulator assembly when measured from the horizontal center-line of the regulator.

- I. The clearance to service regulator vent outlet must be a minimum of 6 feet.
- J. The clearance to a non-mechanical air supply inlet to the building or the combustion air inlet to any other appliance must be a minimum of 48".
- K. The clearance to a mechanical air supply inlet must be a minimum of 10 feet. **(with outside air installed, 6 feet)**
- L. The clearance above a paved sidewalk or a paved driveway located on public property must be a minimum of 7 feet.
- M. The clearance under a veranda, porch, deck or balcony must be a minimum of 12 inches. **(B. also)**

NOTE

The clearance to vegetation and other exterior combustibles such as mulch is 36" as measured from the center of the outlet or cap. This 36" radius continues to grade.

Certain Canadian and or Local codes or regulations may require different clearances.

A vent shall not terminate directly above a side-walk or paved driveway which is located between two single family dwellings and serves both dwellings.

Only permitted if veranda, porch, deck, or balcony is fully open on a minimum of 2 sides beneath the floor.

See NFPA 211 for more installation clearance reductions when using outside air.

NOTE

Where passage through a wall, or partition of combustible construction is desired, the installation shall conform to CAN/CSA-B365. (if in Canada)

C. Venting & Use of Elbows

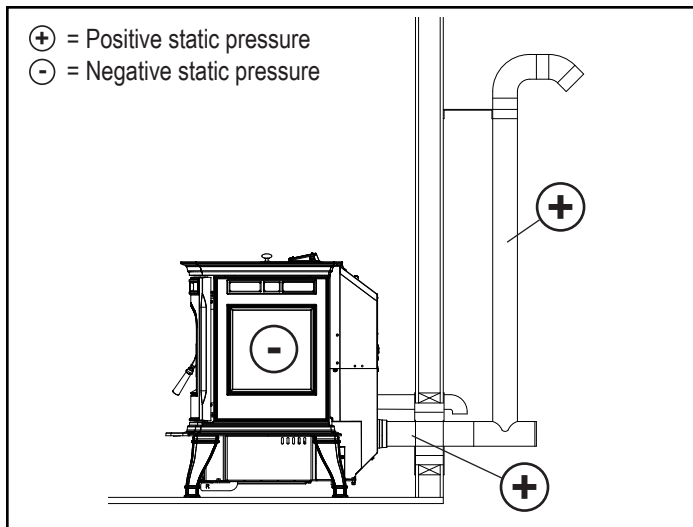


Figure 4.12

Harman pellet stoves depend on a combustion fan to pull air through the unit for combustion. The venting system restricts the ability of the combustion fan to move the required amount of air through the unit. A system with too much resistance will result in incomplete combustion, more frequent required cleaning and poor unit performance. It is always best to choose a location for the appliance that will result in a venting system with the shortest equivalent vent length (EVL).

It is best to have your venting system designed by a Harman authorized dealer before you finalize your purchase of an appliance.

Equivalent Vent Length: The equivalent vent length for common pellet vent components are:

- 90° Elbows or Tee: 5 EVL Units
- 45° elbow: 3 EVL Units
- Vertical Pipe or Liner: ½ EVL Unit
- Horizontal Pipe or liner: 1 EVL Unit

The total allowable equivalent vent length is:

- 20 EVL for 3" pellet vent pipe or liner.
- 30 EVL for 4" pellet vent pipe or liner.

Due to the potential for fly ash accumulation in horizontal venting sections, the maximum permissible horizontal venting length is:

- 4 ft. for 3" & 4" pellet vent pipe.

Example: First Floor Installation

A unit is to be installed using 3" Pellet Pipe with 3 feet of horizontal pipe, a Tee, 10 feet of vertical pipe, a 90° elbow and a termination cap.

The equivalent vent length is:

3 ft. of Horizontal Pipe (1 x 3 EVL)	= 3 EVL
90° Elbow or Tee (1 x EVL)	= 5 EVL
10 ft. of Vertical Pipe (10 x .5 EVL)	= 5 EVL
90° Elbow or Tee (1 x EVL)	= 5 EVL
<u>Termination Cap</u>	<u>= 0 EVL</u>
Equivalent Vent Length	= 18 EVL

In the example system detailed above, the EVL was 18 which is less than the maximum of 20 EVL for 3" pellet vent pipe, thus this is a satisfactory venting configuration.

Example: Connection to Masonry Chimney

A unit is to be installed using 3" Pellet Pipe with 2 feet of horizontal pipe, a Tee, 4 feet of vertical pipe, an elbow, a Tee, 21 feet of vertical liner, and a termination cap.

The equivalent vent length is:

2 ft. of Horizontal Pipe (1 x 2 EVL)	= 2 EVL
90° Tee (1 x 5 EVL)	= 5 EVL
4 ft. of Vertical Pipe (4 x .5 EVL)	= 2 EVL
90° Elbow (1 x 5 EVL)	= 5 EVL
90° Tee (1 x 5 EVL)	= 5 EVL
21 ft. of Vertical Liner (21 x .5 EVL)	= 10.5 EVL
<u>Termination Cap</u>	<u>= 0 EVL</u>
Equivalent Vent Length	= 29.5 EVL

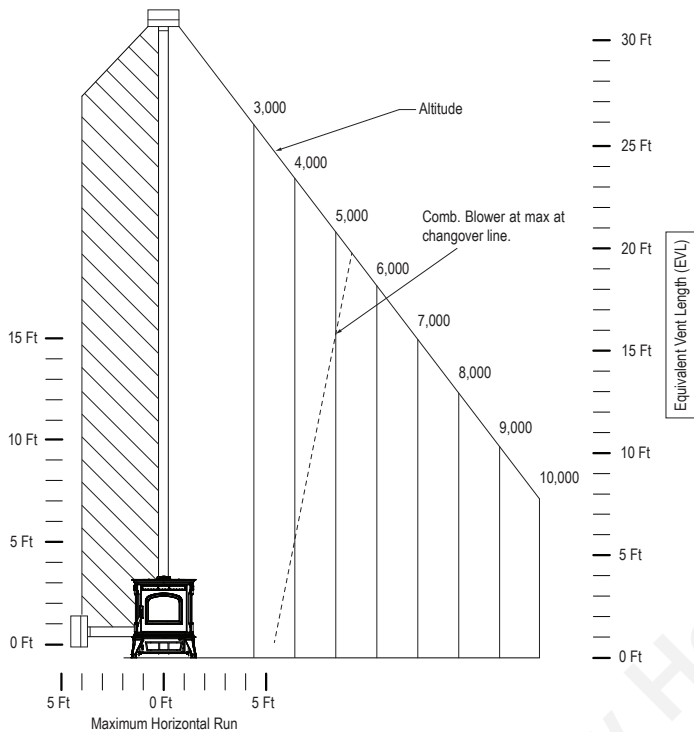
In the example system detailed above, the EVL was 29.5 which exceeds the maximum of 20 ft. for 3" pellet vent pipe, thus 3" vent pipe should not be used in this installation. However, since 4" pipe can support an EVL up to 30, the use of 4" pipe would create a satisfactory installation.

C. Venting & Use of Elbows *continued*

Note: When the amount of vertical pellet vent pipe in the system exceeds 15 feet, 4" pellet vent pipe should be used.

Note: Equivalent Venting Length decreases as altitude increases.

Note: When the High Altitude Fan Blade is used, the maximum length of Outside Air Pipe decreases to 20 ft.



Example:

A unit with an EVL of 13, is to be installed at an altitude of 3,000 feet above sea level.

From the chart to the left, at 3,000 feet of altitude, the maximum permissible equivalent venting length is 26 feet. Therefore this would be an acceptable installation with no need to change the combustion blower fan.

However, if the same unit (EVL 13) was to be installed an altitude of 9,000 feet above sea level, the installation would no longer be acceptable and the equivalent vent length of the pipe would have to be reduced for proper unit operation.

- Long runs of flex or PL vent pipe installed directly vertical from the flue stub may require more frequent cleaning due to fly ash falling off inside and collecting directly above the combustion blower outlet.
- 4" stainless steel flex vent piping is only allowed for use in masonry fireplaces and chimneys or factory built wood-burning fireplaces with Class A metal chimneys.
- All pellet vent pipe must be secured together either by means provided by pipe manufacturer or by 3 screws at each joint.
- Use only the specified venting components. Use of any other components will void the product warranty and may pose a hazard.
- Do Not Install a Flue Damper In The Exhaust Venting System of This Appliance.
- DO NOT CONNECT THIS UNIT TO A CHIMNEY FLUE SERVING ANOTHER APPLIANCE.
- Simpson DuraVent PelletVent Pro Harman® Adapter Part #3PVP-ADHB and PelletVent Pro Harman® Adapter Inceaser Part #3PVPX4ADHB are highly recommended to be installed on the starter collar to insure a proper pipe connection to the unit.
- **INSTALL VENT AT CLEARANCES SPECIFIED BY THE VENT MANUFACTURER**
- Use silicone to create an effective vapor barrier at the location where the chimney or outside air ducting passes through to the exterior of the structure

D. Outside Air

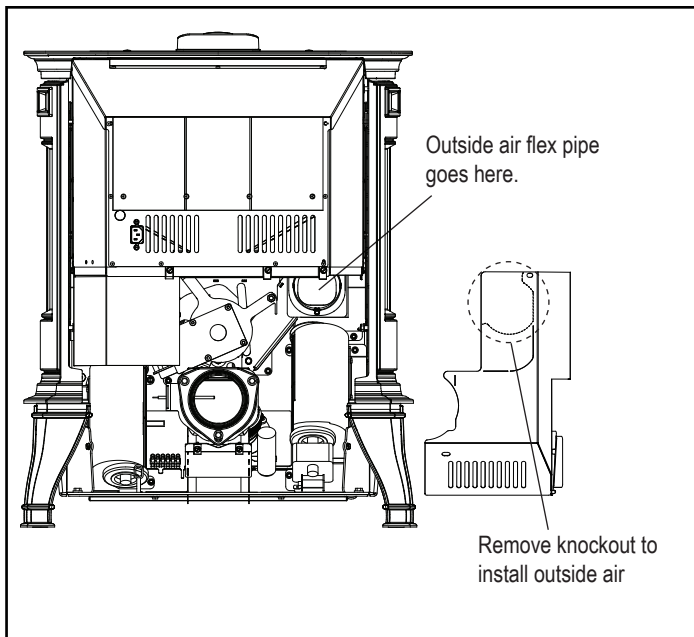


Figure 4.13

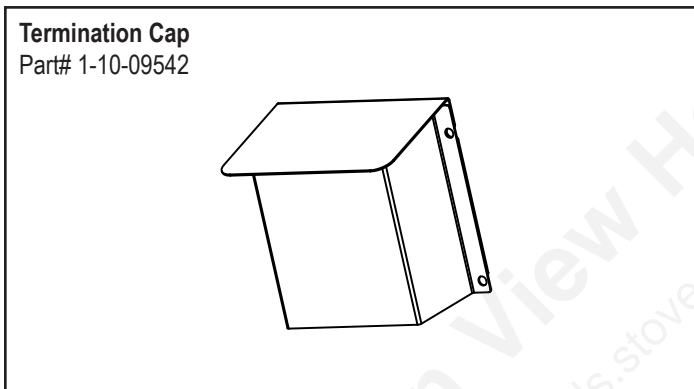


Figure 4.14

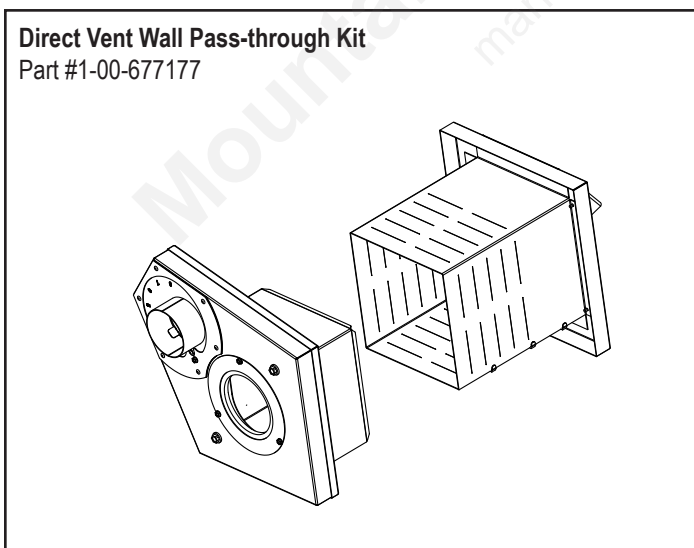


Figure 4.15

Outside Air:

Hearth & Home Technologies recommend attaching outside air in all installations, especially lower level and main floor locations.

Per national building codes, consideration must be given to combustion air supply to all combustion appliances. Failure to supply adequate combustion air for all appliance demands, may lead to back-drafting of those and other appliances.

When the appliance is side-wall vented: The air intake is best located on the same exterior wall as the exhaust vent outlet and located lower on the wall than the exhaust vent outlet.

When the appliance is roof vented: The air intake is best located on the exterior wall oriented towards the prevailing wind direction during the heating season.

The outside air connection will supply the demands of the pellet appliance, but consideration must be given to the total house demand. House demand may consume some air needed for the stove, especially during a power failure. It may be necessary to add additional ventilation to the space in which the pellet appliance is located. Consult with your local HVAC professional to determine the ventilation demands for your house.

To install outside air use 3" non-combustible flex pipe Figure 4.14. There is a break-away hole on the rear panel of the Absolute43 stove which must be removed before connecting the flex pipe. Figure 4.13. The pipe should be run outside and terminate to the side or below the vent pipe outlet so the flue outlet is more than 12" from the inlet cover. The Termination Cap should be used to keep birds, rodents, etc. out of the pipe Figure 4.14.

You may choose to use the optional Direct Vent Wall Pass-through Kit which incorporates the venting pass-through and outside air inlet into one component. Figure 4.15.

E. Locating Your Appliance & Chimney

Location of the appliance and chimney will affect performance.

- Install through the warm airspace enclosed by the building envelope. This helps to produce more draft, especially during lighting and die-down of the fire.
- Penetrate the highest part of the roof. This minimizes the effects of wind loading.
- Locate termination cap away from trees, adjacent structures, uneven roof lines and other obstructions.
- Minimize the use of chimney offsets.
- Consider the appliance location relative to floor and ceiling and attic joists.



CAUTION

- DO NOT CONNECT THIS UNIT TO A CHIMNEY FLUE SERVICING ANOTHER APPLIANCE.
- DO NOT CONNECT TO ANY AIR DISTRIBUTION DUCT OR SYSTEM.

May allow flue gases to enter the house

F. Draft

Draft is the pressure difference needed to vent appliances successfully. When an appliance is drafting successfully, all combustion byproducts are exiting the home through the chimney.

Considerations for successful draft include:

- Negative pressure in the firebox
- Location of appliance and chimney

To measure the draft or negative pressure on your appliance use a manahelic or a digital pressure gauge capable of reading 0 - 1 inches of water column (W.C.).

The appliance should be running on high for at least 15 minutes for the test.

With the stove running on high you should have a negative pressure equal to or greater than the number given in the chart below. If you have a lower reading than you find on the chart, your appliance does not have adequate draft to burn the fuel properly.

Minimum Vacuum Requirements:	.20 - .25
-------------------------------------	------------------

Prior to installing the flue pipe, connect a draft meter. (The draft meter must have a minimum range of 0 - .5") Record the first reading. Connect flue pipe to stove and be sure all doors and windows in the home are closed. Record the second draft reading _____. If the second reading is more than .05" lower than the first reading, check for possible restrictions or the need for outside air. For more information on the draft test procedure, refer to "Appliance Set-Up" Section C.

G. Negative Pressure



WARNING

Risk of Asphyxiation! Negative pressure can cause spillage of combustion fumes and soot.

Negative pressure results from the imbalance of air available for the appliance to operate properly. It can be strongest in lower levels of the house.

Causes include:

- Exhaust fans (kitchen, bath, etc.)
- Range hoods
- Combustion air requirements for furnaces, water heaters and other combustion appliances
- Clothes dryers
- Location of return-air vents to furnace or air conditioning
- Imbalances of the HVAC air handling system
- Upper level air leaks such as:
 - Recessed lighting
 - Attic hatch
 - Duct leaks

To minimize the effects of negative air pressure:

- Install the outside air kit with the intake facing prevailing winds during the heating season
- Ensure adequate outdoor air for all combustion appliances and exhaust equipment
- Ensure furnace and air conditioning return vents are not located in the immediate vicinity of the appliance
- Avoid installing the appliance near doors, walkways or small isolated spaces
- Recessed lighting should be a "sealed can" design
- Attic hatches weather stripped or sealed
- Attic mounted duct work and air handler joints and seams taped or sealed

NOTICE

HEARTH & Home Technologies assumes no responsibility for the improper performance of the chimney system caused by:

- Inadequate draft due to environmental conditions
- Downdrafts
- Tight sealing construction of the structure
- Mechanical exhausting devices

H. Avoiding Smoke and Odors

Negative Pressure, Shut-down, and Power Failure:

To reduce the probability of back-drafting or burn-back in the pellet burning appliance during power failure or shut-down conditions, the stove must be able to draft naturally without exhaust blower operation. Negative pressure in the house will resist this natural draft if not accounted for in the pellet appliance installation.

Heat rises in the house and leaks out at upper levels. This air must be replaced with cold air from outdoors, which flows into lower levels of the house. Vents and chimneys into basements and lower levels of the house can become the conduit for air supply, and reverse under these conditions.

Outside Air

An outside air kit is recommended in all installations. The Outside Air Kit must be ordered separately.

Per national building codes, consideration must be given to combustion air supply to all combustion appliances. Failure to supply adequate combustion air for all appliance demands may lead to back drafting of those and other appliances.

When the appliance is roof vented (strongly recommended):

The air intake is best located on the exterior wall oriented towards the prevailing wind direction during the heating season.

When the appliance is side-wall vented:

The air intake is best located on the same exterior wall as the exhaust vent outlet and located lower on the wall than the exhaust vent outlet.

The outside air supply kit can supply most of the demands of the pellet appliance, but consideration must be given to the total house demand.

House demand may consume the air needed for the appliance. It may be necessary to add additional ventilation to the space in which the pellet appliance is located.

Consult with your local HVAC professional to determine the ventilation demands for your house.

Vent Pipe

Be sure to use approved pellet vent pipe wall and ceiling pass-through fittings to go through combustible walls and ceilings. Be sure to use a starting collar to attach the venting system to the stove. The starting collar must be secured to the flue stub with at least three screws, and sealed with high temp silicone caulking.

4" stainless steel flex vent piping is only allowed for use in masonry fireplaces and chimneys or factory built wood-burning fireplaces with class A metal chimneys.

Pellet venting pipe is constructed of two layers with air space between the layers. This air space acts as an insulator and reduces the outside surface temperature to allow a clearance to combustibles of only 1 inch. The sections of pipe lock together to form an air tight seal in most cases; however, in some cases a perfect seal is not achieved. For this reason and the fact that the Absolute43 operates with a positive vent pressure, we specify that the joints also be sealed with silicone or aluminum tape in addition to the sealing system used by the manufacturer.

Where passing through an exterior wall or roof, use silicone to maintain an effective vapor barrier at the location where the chimney or component penetrates to the exterior of the structure.

Vent Configurations:

To reduce probability of reverse drafting during shut-down conditions, Hearth & Home Technologies strongly recommends:

- Installing the pellet vent with a minimum vertical run of five feet, preferably terminating above the roof line.
- Installing the outside air intake at least four feet below the vent termination.

To prevent soot damage to exterior walls of the house and to prevent re-entry of soot or ash into the house:

- Maintain specified clearances to windows, doors, and air inlets, including air conditioners.
- Vents should not be placed below ventilated soffits. Run the vent above the roof.
- Avoid venting into alcove locations.
- Vents should not terminate under overhangs, decks or onto covered porches.
- Maintain minimum clearance of 12 inches from the vent termination to the exterior wall. If you see deposits developing on the wall, you may need to extend this distance to accommodate your installation conditions.

Hearth & Home Technologies assumes no responsibility for, nor does the warranty extend to, smoke damage caused by reverse drafting of pellet appliances under shut-down or power failure conditions.

I. Fire Safety

To provide reasonable fire safety, the following should be given serious consideration:

- Install at least one smoke detector and CO detector on each floor of your home. The National Fire Protection Association (NFPA), recommends one Smoke Alarm on every floor, in every sleeping area, and in every bedroom.
- Locate smoke detector away from the heating appliance and close to the sleeping areas.
- Follow the smoke detector manufacturer's placement and installation instructions and maintain regularly.
- Conveniently locate a Class A fire extinguisher to contend with small fires.
- In the event of a hopper fire:
 - Evacuate the house immediately.
 - Notify fire department.

WARNING



Fire Risk.

Hearth & Home Technologies disclaims any responsibility for, and the warranty will be voided by the following actions:

- Installation and use of any damaged appliance.
- Modification of the appliance.
- Installation other than as instructed by Hearth & Home Technologies.
- Installation and/or use of any component part not approved by Hearth & Home Technologies.
- Operating appliance without fully assembling all components.
- Do NOT Overfire.

Or any such action that may cause a fire hazard.

J. Inspect Appliance & Components

- Remove appliance and components from packaging and inspect for damage.
- Report to your dealer any parts damaged in shipment.
- **Read all the instructions before starting the installation. Follow these instructions carefully during the installation to ensure maximum safety and benefit.**

WARNING



Inspect appliance and components for damage. Damaged parts may impair safe operation.

- Do NOT install damaged components.
- Do NOT install incomplete components.
- Do NOT install substitute components.

Report damaged parts to dealer.

5 Appliance Set-Up

A. Unpacking

The Absolute43 is bolted (1/4 x 1" hex head bolts) to the skid to prevent movement during shipping.

To free the stove from the skid you must remove the hold-down bolts from both the left and right hand side shipping brackets using a 7/16" socket or wrench. Figure 5.1.

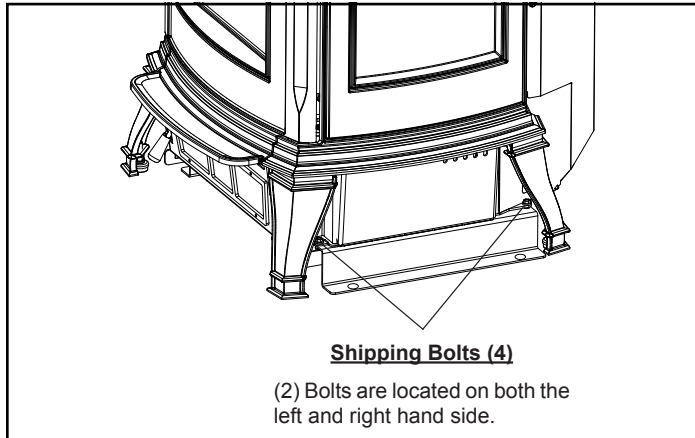


Figure 5.1

B. Firebox Draft and Combustion Fan RPM

These units are pre-tested at the factory with exactly 120 VAC, 60 Hz. They are checked and adjusted for firebox tightness, gasket leakage, motor operation and igniter operation. The Allure50 is then factory set at a mid-point adjustment and in most cases will not need any adjustments.

Check and record the firebox draft before installing venting and after venting is installed (**before starting fire**).

There is a draft meter port located in the back of the unit at the pressure switch where draft can be measured. Install the magnahelic meter (*capable of at least .5" of water column*) Figure 5.2.

Connect the power cord to a 120 VAC, 60Hz grounded receptacle. (A surge protector is recommended to protect the circuit board.) Also be sure that the polarity of the outlet that the stove is plugged into is correct.

Go to the "Home Screen", the power icon should be gray. Press menu, on the first menu page press "test" icon.

The test page has 4 component test modes. The second icon is for the combustion fan test.

One press of the icon turns the combustion fan to full line voltage. (**Note: During this test, the combustion fan will not achieve its top RPM of 3200 due to the density of the ambient air.**) All RPM displays could vary +/- 50 from that of the set RPM's. Allow several minutes for the fan motor to warm up.

Press the icon a second time, the combustion fan will go to "Maximum" (as set in the **Authorized Dealer Only** area under the combustion fan icon)

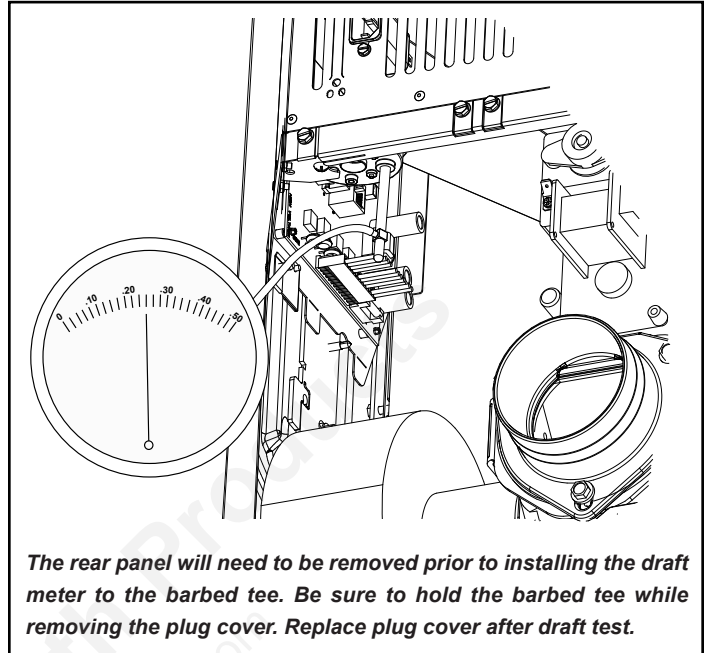


Figure 5.2

The "Maximum" is factory set at 3100 RPM. Allow the RPM to stabilize and record the firebox draft Maximum.

Before Install: _____ IWC

After Install: _____ IWC

(Firebox Draft and Combustion Fan RPM Cont.)

Press the icon a third time, the combustion fan will go to "Minimum" (as set in the **Authorized Dealer Only** area under the combustion fan icon) allow the RPM to stabilize and record the firebox draft minimum.

Before Install: _____ IWC

After Install: _____ IWC

Cold Stove Draft:

2400 RPM Low -.20 and -.25

3100 RPM High -.45 and -.50

Leaving the test page will end any tests in progress and goes back to whatever mode of operation it was set to on the home page.

If the unit is not adjusted properly, it does not cause a safety concern. If the unit is adjusted too high, only efficiency is lost. If the unit is adjusted too low, the low draft pressure switch will not allow the feed motor or the igniter to operate.

6 Reference Material

A. Safety Reminders

When installing and operating your Harman® Absolute43, respect basic safety standards. Read these instructions carefully before you attempt to install or operate the Absolute43. Failure to do so may result in damage to property or personal injury and may void the product warranty.

Consult with your local building code agency and insurance representative before you begin your installation to ensure compliance with local codes, including the need for permits and follow-up inspections.

Due to high temperatures, this stove should be placed out of traffic and away from furniture and draperies.

Children and adults should be alerted to the hazards of high surface temperatures and should stay away to avoid burn to skin and/or clothing.

Young children should be carefully supervised when they are in the same room as the stove.

Clothing and other flammable materials should not be placed on or near this stove.

Installation and repair of this stove should be done by a qualified service person. The appliance should be inspected before use and at least annually by a qualified service person. More frequent cleaning may be required. It is imperative that control compartments, burners, and circulating air passageways of this stove be kept clean.



WARNING

MOBILE/MANUFACTURED HOME GUIDELINES DO NOT ALLOW INSTALLATION IN A SLEEPING ROOM.



CAUTION

THE STRUCTURAL INTEGRITY OF THE MOBILE HOME FLOOR, WALL, AND CEILING/ROOF MUST BE MAINTAINED.



WARNING

KEEP COMBUSTIBLE MATERIALS SUCH AS GRASS, LEAVES, ETC. AT LEAST 3 FEET AWAY FROM THE POINT DIRECTLY UNDER THE VENT TERMINATION.



WARNING

USE OF IMPROPER FUELS, FIRE STARTERS OR ALTERING THE STOVE FOR HIGHER HEAT OUTPUT MAY CAUSE DAMAGE TO THE STOVE AND COULD RESULT IN A HOUSE FIRE. USE ONLY APPROVED FUELS AND OPERATION GUIDELINES



CAUTION

This appliance must be vented to the outside.



CAUTION

THE STOVE IS HOT WHILE IN OPERATION. KEEP CHILDREN, CLOTHING AND FURNITURE AWAY. CONTACT MAY CAUSE SKIN BURNS.

Mountain View Hearth Products
manuals.stove-parts-unlimited.com

Mountain View Hearth Products
manuals.stove-parts-unlimited.com

Harman®, a brand of Hearth & Home Technologies Inc.
352 Mountain House Road, Halifax, PA 17032
www.harmanstoves.com

Please contact your Harman® dealer with any questions or concerns.
For the location of your nearest Harman® dealer,
please visit www.harmanstoves.com.

Printed in U.S.A. - Copyright 2015