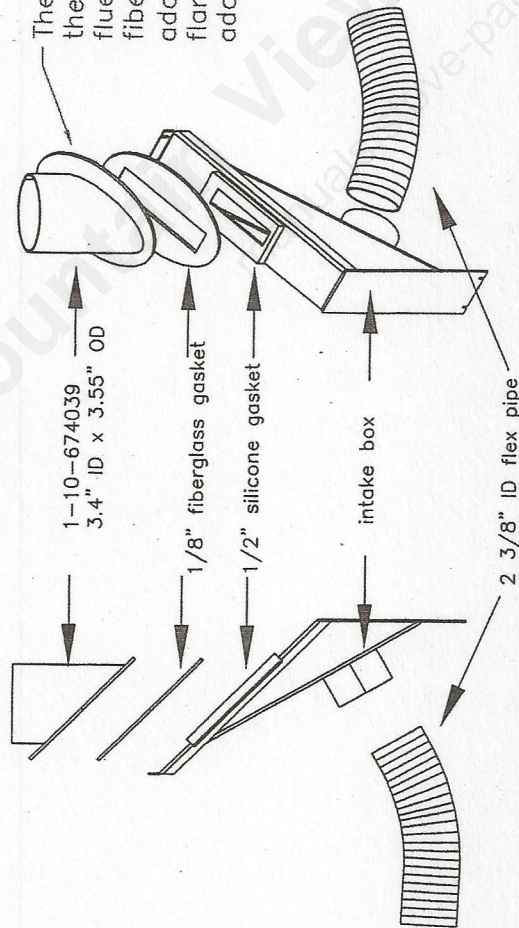


ACCENTRA INSERT Outside Air  
Installation instructions

**HARMAN™**  
HOME HEATING



The flex starter adapter goes on the mounting frame opposite the flue starter adapter. The white fiberglass gasket goes under the adapter. Use the (4) 1/4-20x 3/8 flange screws to secure the adapter onto the frame.

Harman Outside Air Kit # 1-00-674080

- 1st- Start the bottom two 3/4-10 teck screws into the precut holes in the insert body.
- 2nd- Bend the piece of flex tubing as much as is possible, then insert it into the opening of the intake box.
- 3rd- While sliding the intake box down over the two screws, place the end of the flex tube into the pipe on the backdraft damper assembly and slide it to the front as far as possible.
- 4th- Push the top of the intake box against the rear of the hopper, and fasten with two 3/4-10 teck screws.  
NOTE: There are no precut holes in the rear of the hopper.
- 5th- Seal the joint around the flex pipe at each end.

