

1-00-453001

## Latch Installation Instructions

For retro-fit on;

**P38, P61, PC45, and 44Mag (Small Door)**  
**TLC2000, DVC500, Exception (Large Door)**

**HARMAN**<sup>TM</sup>  
**HOME HEATING**

Parts list:

3-00-453001	Cast handle
3-00-453002	Cast pawl
3-30-2925200312	SSS CP 1/4-20 X 5/16 (2)
3-30-625202501	RPH MS 1/4-20 X 2-12
3-31-453013	Wave washer (2)
3-50-453003	Spacer (For large doors only)
3-40-00247	Wooden handle
3-99-010	10mm drill bit
3-99-712217	1/8" hex key

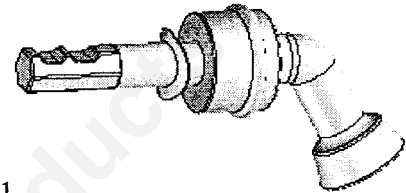


Fig. 1

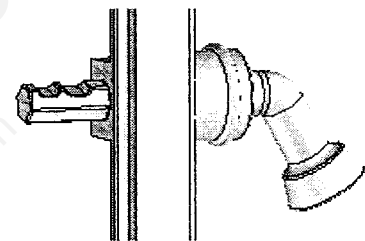


Fig. 2

1.) To ensure safe and accurate drilling, fixture the cast door ~~on~~ to a drill press.

2.) Use the 10mm bit to drill latch hole from handle side.

3.) Slide wave washer(s) onto handle shaft. One for the small door, or two with the large door. (Fig. 1)

4.) Check that the drilled hole is free of burrs. Slide handle into 10mm hole. **DO NOT LUBRICATE!** (Fig. 2)

5.) For the large door frame, install the beveled spacer with the beveled side toward the door.

6.) Align set screw hole in pawl with notches in handle shaft. Slide pawl onto shaft. The first notch for the large door and the second notch on the small door. (Fig. 3)

7.) Firmly hold pawl and handle to compress wave washer. Install and snug first set screw. Do not over-tighten. (Fig. 4)

8.) Check for free rotation of handle. If handle is tight, remove pawl and reverse it on the handle shaft. (Fig. 5)  
Repeat steps 6 and 7.

9.) Install second set screw on top of first to lock assembly.

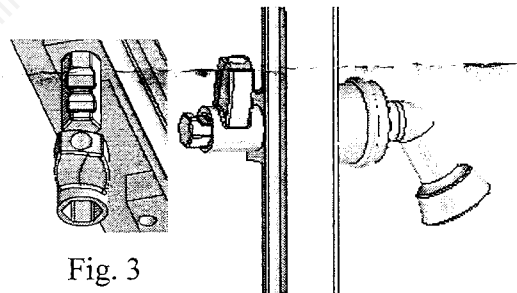


Fig. 3

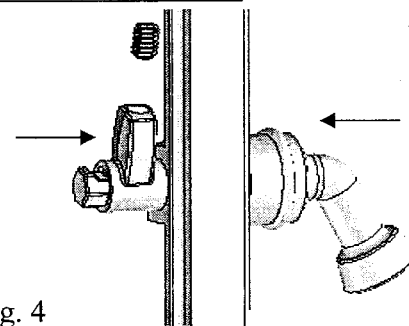


Fig. 4

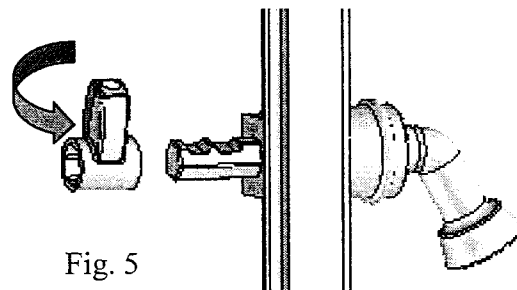


Fig. 5

P:/pat/powerpoint files/3-89-453001