

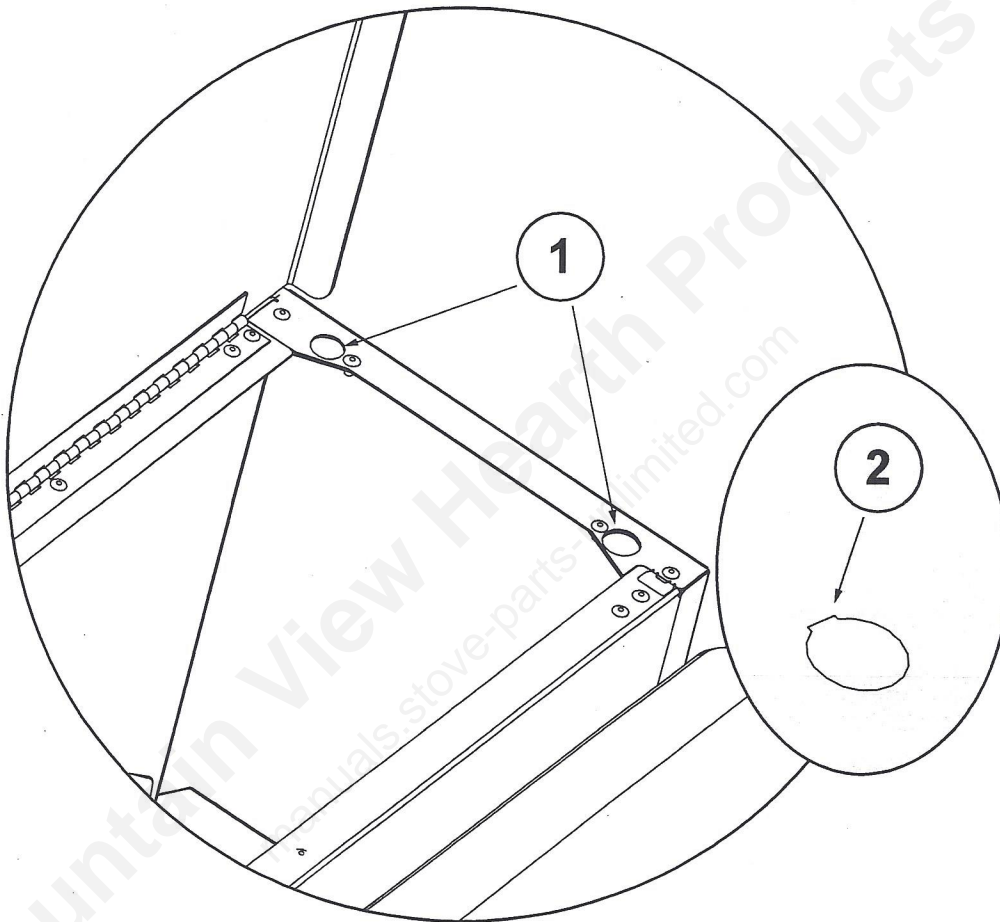
P-Series Hopper Extension Installation

HARMAN[®]
BUILT TO A STANDARD, NOT A PRICE

P43 Only - Part #1-00-773895

P61A, P68, PC45 - Part #1-00-06489

NOTE: P38 will continue to use the current hopper extension - Part #1-00-09536



1. At the front and rear corners of the hopper (both sides), there is a hole that is used to fasten the hopper extension in place. On newer units, this hole has a knockout that will need to be removed prior to installing the hopper extension.
2. There is a small uncut area on the knockout that will become the hinge point. Push downward on the knockout with a screwdriver or a similar tool to push the knockout into the hopper. The knockout will need to be moved back and forth until it releases from the hopper extension. Once released from the hopper the knockout can be discarded.

Special Note: Once Hopper Extension is installed, check the seal where the extension sets on top of the original hopper to insure a proper seal. Adjustments of the swell latches may be needed.