

1-00-06802 38/43/45/61 Trim Kit Instructions

HARMAN
BUILT TO A STANDARD. NOT A PRICE.

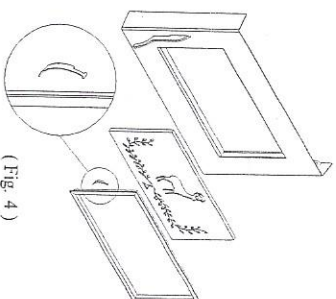
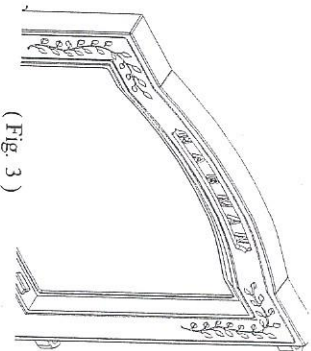
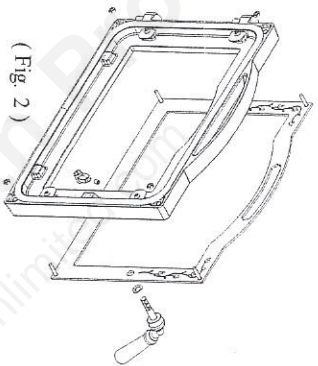
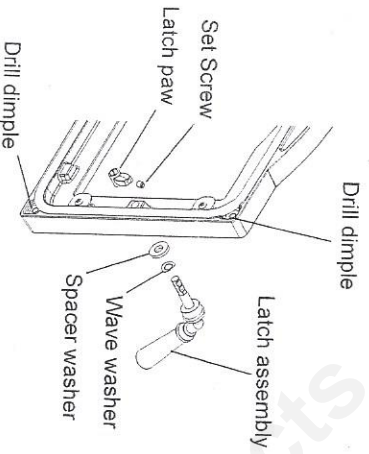
Parts list:

(4) 3-30-8610321 10-32 Locknut
(1) 3-43-06802 Door Trim
(1) 3-43-08400 Ash Lip Trim

(2) 3-31-232547
(1) 3-43-06729
(1) 3-99-025 1/4"

Spring Clip
Tile Frame
Drill Bit

Tools needed:
1/8" Hex Key Wrench
3/8" Nut Driver
Power Drill



TO MOUNT DOOR TRIM

- 1.) Using the hex key wrench, remove the first set screw in the latch paw and loosen the second one. Remove the latch assembly, wave washer and spacer washer. Discard spacer washer as this will not be used when installing the door trim. (Fig. 1)
- 2.) Remove the door from stove. Lay the door face down on a soft material so that you do not scratch or mar the finish.
- 3.) Locate the four drill dimples on the inside corners of the door. You may have to pull door gasket out slightly to locate the dimples. Using the bit supplied, drill a hole through each corner. (Fig. 1)
- 4.) Insert the door trim studs through the holes. Using the nut driver, secure with the supplied nuts. (Fig. 2) These nuts are placed on the stud with the indented triangle side facing up. Before tightening the nuts, check that the frame is properly nested into the offset of the door. (Fig. 3)

Do not over-tighten nuts. The frame may distort or the stud can break loose from the frame if over-tightened.

- 5.) Place door back on the stove. Attach latch assembly by reversing Step 1.

TO MOUNT TILE FRAME

- 1.) Place spring clip in track along short side of tile frame (2 supplied). (Fig. 4)
- 2.) Snap frame into ash door opening. If using tile, insert in opening before putting on trim piece.

TO MOUNT ASH LIP TRIM

- 1.) Slide trim onto ash lip. This can be removed to allow clean-up of any dirt that may get on the ash lip.

NOTE: Be sure to clean fingerprints from trim pieces with window cleaner before first firing.