

Owner's Manual

Care and Operation

INSTALLER: Leave this manual with party responsible for use and operation.

OWNER: Retain this manual for future reference.

Call your dealer for questions on Installation, Operation, or Service.

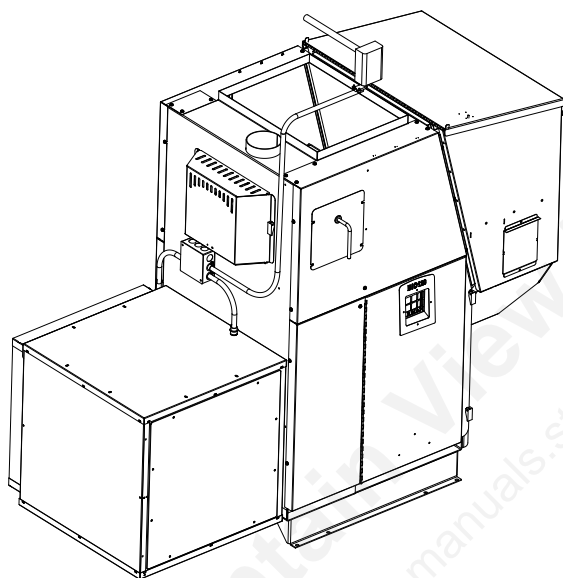
NOTICE: SAVE THESE INSTRUCTIONS

HARMAN®

BUILT TO A STANDARD, NOT A PRICE

Model(s):

PF-120 Pellet Furnace



CAUTION

Tested and approved for wood pellets. Burning of any other type of fuel voids your warranty.

CAUTION

Check building codes prior to installation.

- Installation **MUST** comply with local, regional, state and national codes and regulations.
- Contact local building or fire officials about restrictions and installation inspection requirements in your area.

WARNING



Please read this entire manual before installation and use of this pellet fuel-burning room heater.

Failure to follow these instructions could result in property damage, bodily injury or even death.

- Do not store or use gasoline or other flammable vapors and liquids in the vicinity of this or any other appliance.
- Do not overfire - If any external part starts to glow, you are overfiring. Reduce feed rate. Overfiring will void your warranty.
- Comply with all minimum clearances to combustibles as specified. Failure to comply may cause house fire.

WARNING



HOT SURFACES!

Glass and other surfaces are hot during operation and cool down.

Hot glass will cause burns.

- Do not touch glass until it is cooled
 - NEVER allow children to touch glass
 - Keep children away
 - CAREFULLY SUPERVISE children in same room as stove.
 - Alert children and adults to hazards of high temperatures.
- High temperatures may ignite clothing or other flammable materials.**
- Keep clothing, furniture, draperies and other flammable materials away.

NOTE

To obtain a French translation of this manual, please contact your dealer or visit www.harmanstoves.com

Pour obtenir une traduction française de ce manuel, s'il vous plaît contacter votre revendeur ou visitez www.harmanstoves.com

1 Welcome

Read this manual before operating this appliance.
Please retain this Owner's Manual for future reference.
Read the Installation Manual before making any installation or finishing changes.

A. Congratulations

Congratulations on selecting a Harman® PF-120 Pellet Furnace. The Harman® PF-120 Pellet Furnace you have selected is designed to provide the utmost in safety, reliability, and efficiency.

As the owner of a new pellet furnace, you'll want to read and carefully follow all of the instructions contained in this owner's manual. Pay special attention to all cautions and warnings.

This owner's manual should be retained for future reference. We suggest that you keep it with your other important documents and product manuals.

Your new Harman® PF-120 Pellet Furnace will give you years of durable use and trouble-free enjoyment. Welcome to the Harman® family!

Local Dealer Information

DEALER: Fill in your name, address, phone and email information here and appliance information below.

Dealer Name: _____
Address: _____
Phone: _____
Email: _____

Appliance Information:

Brand: _____ Model Name: _____
Serial Number: _____ Date Installed: _____

Listing Label Information/Location

The model information regarding your specific furnace can be found on the rating plate usually located in the area below the hopper.

PF-120
LISTED PELLET FUEL CENTRAL HEATING APPLIANCE RESIDENTIAL USE
APPAREIL DE CHAUFFAGE CENTRAL OU SUPPLÉMENTAIRE ENROUILLÉ EN GRANULES
COMBUSTIBLES POUR USAGE DANS LES RÉSIDENCES

Serial No. / N° de série: **008**
BARCODE

Model Name: PF-120
Serial Number: 008

Model	Fuel	Chimney Connector Size	BTU/HR Input Pellet	Electrical Rating	Maximum Overcurrent Protection
PF-120	Pellet	4"	132,000 BTU/HR (28 Kw)	120V, 9.3A, 60 Hz	20 AMP

Clearances to Combustibles/espaces Libres aux Combustibles

Combustibles to Filter Box on Appliance	1" (25 mm)	Des combustibles à la boîte de filtration de l'appareil
Combustibles to connector pipe	12" (305 mm)	Des combustibles à la tuyau connecteur
Combustibles to Appliance	12" (305 mm)	Des combustibles à l'appareil
Supply Air Plenum to Ceiling	1" (25 mm)	Provision d'air plénum au plafond
Supply Air Plenum to Combustible Chute	1" (25 mm)	Provision d'air plénum au chablon de combustible
Appliance Body to Ceiling	28" (711 mm)	De l'appareil au plafond
Combustibles from Hopper Front	36" (914 mm)	Des combustibles au devant du hopper

Essential parts and subassemblies provided for field assembly are as follows:
Pièces essentielles et sous-ensembles fournies pour l'assemblage sur le terrain:

Thermostat / Thermostat	Bumper Stopper / Gâbleur de la chaudière de chauffage
Discontin Wire / F3 Discontin	1638 CFM Blower / Ventilateur CFM 1638
Fan Control Logic / Contrôle du ventilateur haute limite	Return Air Filter / Filtre de Retour pour retour d'air
Fire Brick / Briques de Feu	Rain Pan / Bâsson des cendres

DO NOT CONNECT THIS UNIT TO A CHIMNEY FLUE SERVING ANOTHER APPLIANCE.
NE PAS CONNECTER CET APPAREIL À UN TUYAU DE CHEMINÉE SERVANT UN AUTRE APPAREIL.

WARNING! DO NOT operate with fire chamber or ash removal doors open. DO NOT store fuel or other combustible material within installation clearance area.
ATTENTION! Ne pas opérer le porte de combustible ou le porte de la cendre des portes sont ouvertes. Ne pas placer le combustible et les matières combustibles à l'intérieur de l'espace désigné pour l'installation.

CAUTION: Hot while in operation.
ATTENTION! Chaud lors de l'opération.

DO NOT touch. Keep children, clothing, furniture and other combustibles material out of the installation clearance area.
NE PAS toucher. Gardez les enfants, les vêtements, les meubles et les matières combustibles loin de l'espace désigné pour l'installation.

DO NOT connect this unit to a chimney flue that serves another appliance.
NE PAS connecter cet appareil à un tuyau de cheminée servant un autre appareil.

Placing must be a non-combustible material covering the installation clearance area, and 18" in front of, and 8" to either side of the fuel loading door.
Le glacier de l'espace désigné pour l'installation doit être fait de matière non-combustible, de 18" en avant, et de 8" de chaque côté des portes d'entrée du combustible.

In the event of loss of electrical power:
Consult owner's manual for restarting your furnace after power is restored.
Dans le cas d'un manque d'électricité:
Consultez le manuel de propriétaire pour remettre la fournaise en marche lorsque l'électricité est revenue.

U.S. ENVIRONMENTAL PROTECTION AGENCY
EPA APPROVED PELLET FURNACE MODEL PF-120
This model is listed under EPA certification # 109-010-0101

Made in the U.S.A. / Fait aux États-Unis
Do Not Remove or Cover This Label/Ne pas enlever ou recouvrir cet étiquette

Date of Manufacture / Date de fabrication
322 Mountain House Road - Hellfax, PA 17832
Manufactured by/fabriqué par: Hearth & Home Technologies, Inc.

PAK 3-99-08121 2014 2015 2016 JAN FEB MAR APR MAY JUN JUL AUG SEP OCT NOV DEC
Rev A

▲ Safety Alert Key:

- **DANGER!** Indicates a hazardous situation which, if not avoided will result in death or serious injury.
- **WARNING!** Indicates a hazardous situation which, if not avoided could result in death or serious injury.
- **CAUTION!** Indicates a hazardous situation which, if not avoided, could result in minor or moderate injury.
- **NOTICE:** Used to address practices not related to personal injury.

Table of Contents

1 Welcome

- A. Congratulations 2
- B. Limited Lifetime Warranty. 4

2 Product Specific and Important Safety Information

- A. Appliance Certification 5
- B. Glass Specifications (Ceramic) 5
- C. Electrical Rating 5
- D. BTU & Efficiency Specifications 5

3 General Information

- A. Appliance Safety 6
- B. Clear Space 6
- C. Control Explanation 7
- D. Fuel Specification. 8
- E. General Operating Information. 9
- F. Main Operating Control 9
- G. Before Your First Fire 10
- H. Wall Control 10
- I. Low Fuel Sensor 10

4 Operating Instructions

- A. Starting Your First Fire 11
- B. Fire Characteristics 11
- C. Feed Rate Adjustment Instructions 11
- D. Ignition Cycles 12
- E. Automatic Ignition. 13
- F. Manual Ignition. 14

5 Maintenance and Service

- A. Proper Shutdown Procedure 15
- B. Quick Reference Maintenance Chart 15
- C. General Maintenance 15
- D. Ash Removal 16
- E. Burnpot Maintenance 17
- F. Accordion Heat Exchanger. 18
- G. Combustion Blower Chamber 19
- H. Distribution Blower & Air Filter 19-20
- I. Tube Heat Exchanger 20

6 Troubleshooting and Frequently Asked Questions

- A. Error Code Description. 21
- B. Frequently Asked Questions 22
- C. Troubleshooting 23

7 Reference Materials

- A. Safety Reminders 24
- B. Motor and Component Location 25
- C. Loss of Power Addendum 26-27
- D. Service Parts 28-31
- E. Contact Information 33
- F. Quick Reference. Back Page (34)

➔ = Contains updated information

B. Limited Lifetime Warranty

HARMAN® CENTRAL HEATING PRODUCTS LIMITED WARRANTY

Hearth & Home Technologies Inc., on behalf of its Harman® brand ("HHT"), extends the following warranty for all Harman® furnace and boiler products ("Products") that are purchased from an HHT authorized dealer.

Warranty Coverage: Subject to the conditions, exclusions and limitations set forth below, HHT warrants to the original owner of the Products, and to any transferee taking ownership of the Products at the site of original installation within two years following the date of original purchase, that the Products will operate free from defects in material and workmanship under normal conditions and use, as described in the operating instructions furnished with the Product, during the warranty period described below. HHT will, at its option, repair or replace any Product covered by this warranty that is determined to be defective in material or workmanship.

Warranty Period: The warranty period runs for six years, except for mechanical and electrical components, which are warranted for three years. The warranty period begins on the earlier of: (i) the date of invoice for the Product; (ii) in the case of new home construction, the date of first occupancy of the residence or six months after the date of sale of the Product by an HHT authorized dealer, whichever occurs first; or (iii) the date 24 months following the date of Product shipment from HHT, regardless of the invoice or occupancy date.

Warranty Conditions: This warranty applies only to Products: (i) installed, operated, and maintained as recommended in the Product user's manual; (ii) purchased through an HHT authorized dealer; (iii) while remaining at the site of original installation; and (iv) that have not been altered after leaving the factory.

How to File a Claim: Claims must be made within the warranty period to the dealer who sold the Product. If that dealer cannot provide the warranty service, contact the nearest HHT authorized dealer. Additional service fees may apply if you are seeking warranty service from a dealer other than the dealer from whom you originally purchased the Product. Travel and shipping charges for parts are not covered by this warranty.

Warranty Exclusions: This warranty does not cover the following: (1) consumable and normal wear items, including, without limitation, flame guides, grates, coal bars, afterburner hoods, fire brick, gaskets, paint, glass discoloration, burnpot housing weldments, burnpot grate weldments (pellet or corn), burnpot front plates (pellet or corn), burnpot front plate locks, corn auger extensions, ceramic inserts, and ceramic insert plates; (2) noise caused by minor expansion, contraction or movement of parts; (3) damage resulting from: (i) failure to install, operate or maintain the Product according to the installation and operating instructions and listing agent identification label furnished with the Product; (ii) failure to install the Product according to local building codes; (iii) shipping or improper handling; (iv) abuse, misuse, continued operation with damaged, corroded or failed components, accident, or incorrectly performed repairs; (v) environmental conditions, inadequate ventilation, negative pressure or drafting caused by tightly sealed construction, insufficient make-up air supply, or handling devices such as exhaust fans or forced air furnaces or other such causes; (vi) use of fuels other than those specified in the operating instructions; (vii) installation or use of components or accessories not supplied with the Product or authorized and approved in writing by HHT; (viii) modification of the product not expressly authorized and approved by HHT in writing; or (ix) interruptions or fluctuations of electrical power supply to the Product; (4) non-HHT components or accessories used in conjunction with the Product; (5) the Products' capability to heat a desired space; information is provided to assist the consumer and the dealer in selecting the proper Product for the application; consideration must be given to Product location and configuration, environmental conditions, insulation and air tightness of the structure; or (6) additional or unusual utility bills incurred due to any malfunction or defect in Products.

Limitations of Liability: Repair or replacement in accordance with the provisions of this warranty will be the owner's exclusive remedy for and will constitute HHT's sole obligation under this warranty, under any other warranty (express or implied), or in contract, tort or otherwise. No employee, agent, dealer, or other person is authorized to give any warranty on behalf of HHT. TO THE EXTENT ALLOWED BY LAW, HHT MAKES NO OTHER WARRANTY, EXPRESS OR IMPLIED, INCLUDING ANY WARRANTY OF MERCHANTABILITY OR FITNESS FOR A PARTICULAR PURPOSE. HHT WILL NOT BE LIABLE FOR ANY CONSEQUENTIAL OR INCIDENTAL DAMAGES ARISING OUT OF DEFECTS IN OR USE OF THE PRODUCTS. Some states do not allow exclusions or limitation of incidental or consequential damages, so these limitations may not apply to you. This warranty gives you specific rights; you also may have other rights, which vary from state to state. The duration of any implied warranty is limited to the duration of the warranty period specified herein.

L:\DOCS\JED\HHT\Warranties\Harman Central Heating Products Warranty 6.16.09 CLN

2 Product Specific and Important Safety Information

A. Appliance Certification

MODEL:	Pellet Furnace - PF-120
LABORATORY:	OMNI Test Laboratories, Inc
REPORT NO.	135-S-02b-2
TYPE:	Pellet Fueled Central/Supplementary
STANDARD(s):	UL 391-2010, ASTM E 1509-04, and CSA-B366.1-11

NOTE: This installation must conform with local codes. In the absence of local codes you must comply with the UL 391-2010, ASTM E 1509-04, and CSA-B366.1-11 & (UM) 84-HUD

The PF-120 Pellet Furnace by Harman® is exempt from Environmental Protection Agency certification under 40 CFR 60.531 y definition [Wood Heater (A) "Air to Fuel Ratio"].

Note: This appliance is also approved for installation into a shop.

B. Glass Specifications

This appliance is equipped with 5mm ceramic glass. Replace glass only with 5mm ceramic glass. Please contact your dealer for replacement glass.

C. Electrical Rating

120 VAC, 60 Hz, Start 9.2 Max Amps, 7.5 Amps normal operation.

NOTE: Some generator or battery back-up systems may not be compatible with the micro-processor electronics on this appliance. Please consult the power supply manufacturer for compatible systems.

D. BTU & Efficiency Specifications

Particulate Emissions Rating:	N/A
*BTU Output:	8,000 - 120,000 / hr
Heating Capacity:	N/A
Hopper Capacity:	160 lbs
Fuel:	Wood Pellets
Shipping Weight:	580 lbs

*BTU output will vary, depending on the brand of fuel you use in your appliance. Consult your dealer for best results.

WARNING! Risk of Fire! Hearth & Home Technologies disclaims any responsibility for, and the warranty and agency listing will be voided by the below actions.

DO NOT:

- Install or operate damaged appliance
- Modify appliance
- Install other than as instructed by Hearth & Home Technologies
- Operate the appliance without fully assembling all components
- Overfire
- Install any component not approved by Hearth & Home Technologies
- Install parts or components not Listed or approved.
- Disable safety switches

Improper installation, adjustment, alteration, service or maintenance can cause injury or property damage.

For assistance or additional information, consult a qualified installer, service agency or your dealer.



NOTE: Hearth & Home Technologies, manufacturer of this appliance, reserves the right to alter its products, their specifications and/or price without notice.

Harman® is a registered trademark of Hearth & Home Technologies.

3 General Information

A. Appliance Safety

WARNING! DO NOT operate furnace before reading and understanding operating instructions. Failure to operate furnace according to operating instructions could cause fire or injury.

	WARNING
	HOT SURFACES! Glass and other surfaces are hot during operation AND cool down.
	Hot glass will cause burns. <ul style="list-style-type: none">• DO NOT touch glass until it is cooled• NEVER allow children to touch glass• Keep children away
<ul style="list-style-type: none">• CAREFULLY SUPERVISE children in same room as furnace.• Do not touch during operation.	
High temperatures may ignite clothing or other flammable materials.	
<ul style="list-style-type: none">• Keep clothing, furniture, draperies and other flammable materials away.	
<hr/>	
Contact your dealer or Hearth & Home Technologies if the barrier is not present or help is needed to properly install one.	

If you expect that small children or vulnerable adults may come into contact with this appliance, the following precautions are recommended:

- Install a physical barrier such as:
 - A decorative fire screen.
 - Adjustable safety gate.
- Install a switch lock or a wall/remote control with child protection lockout feature.
- Never leave children alone near a hot furnace, whether operating or cooling down.
- Teach children to **NEVER** touch the furnace.
- Consider not using the furnace when children will be present.

Contact your dealer for more information, or visit: www.hpba.org/safety-information.

To prevent unintended operation when not using your furnace for an extended period of time (summer months, vacations, trips, etc):

- Unplug furnace from receptacle.

B. Clear Space

WARNING! RISK OF FIRE! Do NOT place combustible objects in front or to the sides of the appliance. High temperatures may ignite clothing, furniture or draperies.

NOTICE: Clearances may only be reduced by means approved by the regulatory authority having jurisdiction.

WARNING! RISK OF FIRE! Keep combustible materials, gasoline and other flammable vapors and liquids clear of appliance.

- Do **NOT** store flammable materials in the appliance's vicinity.
- Do **NOT** use gasoline, lantern fuel, kerosene, charcoal lighter fluid or similar liquids to start or "freshen up" a fire in this heater.

Keep all such liquids well away from the heater while it is in use as combustible materials may ignite.

C. Control Explanation

Power Light

Indicates power to the control, and is also used during "Test" to check the Low Fuel Sensor operation. LED will blink to indicate battery back-up shutdown if applicable.

Status Light

Will be lit in either automatic or service mode when pointer is not within off position band except after normal shut down.

Low Fuel Light

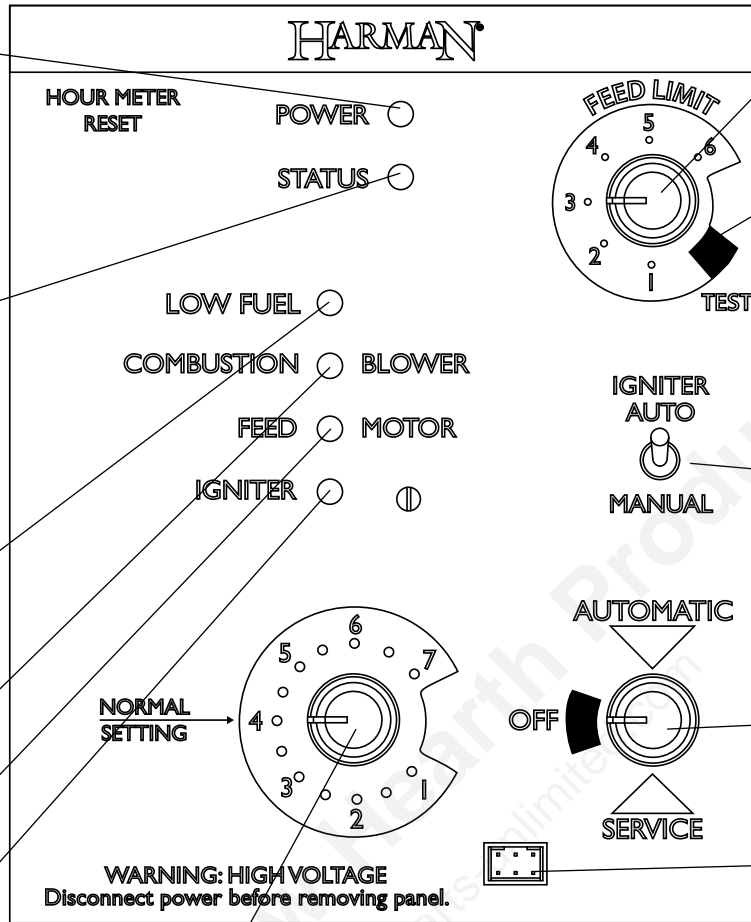
Indicates that fuel in the hopper is low and needs to be refilled. Low Fuel LED stays on for 15 seconds after new fuel covers sensor.

Combustion Blower Light
Indicates Power to combustion blower

Feed Motor Light Indicates Power to the feed motor.

Igniter Light

Indicates power to the igniter



Feed adjuster

Sets the maximum feed rate

Test

Runs all motors at full speed for one minute to check operation. After one minute the combustion blower will go to its minimum speed and remain there. This is to allow for low draft voltage adjustment.

Lighting Mode Selector

Switched between Auto and Manual lighting

Mode Selector

See explanation below.

Diagnostic Display Port

Requires special DDM monitor supplied exclusively to service technicians.

Temp dial

The "Temp Dial" should be in the "Normal Setting" position except when service work is being done. It also allows you to adjust the fire temperature when the "Mode Selector" is in "Service Mode" using the scale marked from 1 to 7.

Note: Due to variations in the electronics of the control board and wall control this is an approximate temperature and may vary +/- 2°

D. Fuel Specifications

Fuel and Fuel Storage

Pellet fuel quality can fluctuate from manufacturer to manufacturer, and even from bag to bag.

Hearth & Home Technologies recommends using only fuel that is certified by the Pellet Fuels Institute (PFI).

Fuel Material

- Made from sawdust and/or other wood by-products
- Source material typically determines ash content

Higher Ash Content Material

- Hardwoods with high mineral content
- Bark and leaves as source material
- “Standard” grade pellets and other bio-mass

Lower Ash Content Material

- Softwood; pine, fir, etc.
- Materials with lower mineral content
- “Premium” grade pellets

CAUTION! Do not burn fuel that contains an additive; (such as soybean oil)

- May cause hopper fire
- Damage to product may result

Read the list of ingredients on the packaging. If you are buying wood pellets, the only ingredient listed should be wood fiber or sawdust.

Clinkers

Minerals and other non-combustible materials, like sand, will turn into a hard glass-like substance when heated.

Trees from different areas will vary in mineral content. For this reason, some fuels will produce more clinkers than others.

 CAUTION
DO NOT BURN GARBAGE, GASOLINE, NAPHTHA, ENGINE OIL OR OTHER INAPPROPRIATE MATERIALS

Moisture

Always burn dry fuel. Burning fuel with high moisture content takes energy to dry and tends to cool the appliance thus, robbing heat from your home. Damp pellet fuel could turn back into sawdust which does not flow properly through the feed system.

Size

- Pellets are either 1/4 inch or 5/16 inch (6-8mm) in diameter
- Length should be no more than 1-1/2 inches (38mm)
- Pellet length can vary from lot to lot from the same manufacturer

Performance

- Higher ash content requires more frequent maintenance.
- “Premium” grade pellets will produce the highest heat output.
- Burning pellets longer than 1-1/2 inches (38mm) can cause inconsistent feeding and/or ignition.


We recommend that you buy fuel in multi-ton lots whenever possible. However, we do recommend trying different brands prior to purchasing multi-ton lots, to ensure your satisfaction.

CAUTION! Tested and approved for use with wood pellets ONLY. Burning of any other fuel will void your warranty.

When changing from “Premium” grade pellets to a “Standard” or “Economy” grade fuel, the FEED ADJUSTER will likely need adjusted to a lower setting. When under maximum demand, ensure there is no unburned fuel being pushed into the ash pan.

Storage

- Wood pellets should be left in their original sealed bag until ready to use, to prevent moisture.
- Do not store fuel within the specified clearance areas, or in a location that will interfere with routine cleaning and maintenance procedures.

 CAUTION
Tested and approved for use with wood pellets ONLY. Burning of any other fuel will void your warranty.

NOTICE
Hearth & Home Technologies is not responsible for furnace performance or extra maintenance required as a result of using fuel with higher ash or mineral content.

E. General Operating Information

1. Control Calls For Heat

The appliance is like most modern furnaces; when the control calls for heat, your appliance will automatically light and deliver heat.

When the room is up to temperature and the control is satisfied, the appliance will shut down.

2. Fan Limit Control

This appliance is equipped with a Fan Limit Control switch that operates the fan as the plenum temperature rises and falls. The control works independent from the control board.



WARNING

DO NOT STORE FUEL OR OTHER COMBUSTIBLE MATERIAL WITHIN THE MARKED INSTALLATION CLEARANCES.

DO NOT OPERATE WITH FUEL-LOADING OR ASH-REMOVAL DOORS OPEN.

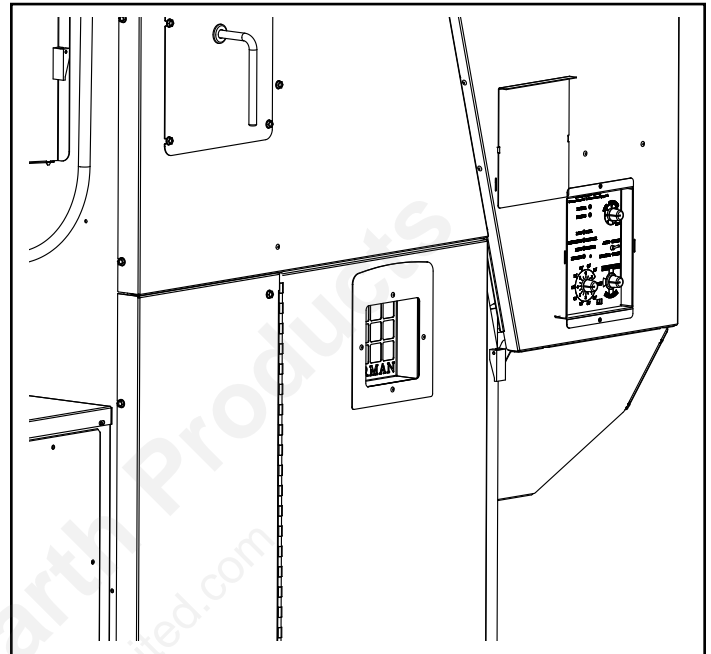


CAUTION

HOT WHILE IN OPERATION. DO NOT TOUCH DURING OPERATION. KEEP CHILDREN, CLOTHING, FURNITURE, AND OTHER COMBUSTIBLE MATERIAL OUT OF THE INSTALLATION CLEARANCE AREA.

F. Main Operating Control

The control can be covered, or uncovered as shown in Figure 3.1. There are tabs provided on the cover for each position. Simply move the cover to the desired position by placing the tabs of the cover in the proper slots.



WARNING



Fire Hazard.

Keep combustible materials, gasoline and other flammable vapors and liquids clear of appliance.

- **DO NOT store flammable materials in the appliance's vicinity.**
- **NEVER USE GASOLINE, GASOLINE-TYPE LANTERN FUEL, KEROSENE, CHARCOAL LIGHTER FLUID, OR SIMILAR LIQUIDS TO START OR "FRESHEN UP" A FIRE IN THIS HEATER. KEEP ALL SUCH LIQUIDS WELL AWAY FROM THE HEATER WHILE IT IS IN USE.**
- **DO NOT BURN GARBAGE, GASOLINE, DRAIN OIL OR OTHER FLAMMABLE MATERIALS.**
- **DO NOT USE CHEMICALS OR FLUIDS TO START THE FIRE.**
- Combustible materials may ignite.
- Inspect and clean flues and chimney regularly

Figure 3.1

G. Before Your First Fire

1. Make sure your appliance has been properly installed and that all safety requirements have been met. Pay particular attention to the fire protection and venting instructions.
2. Double check that the ash pan and firebox are empty!
3. Close the front door.

H. Wall Control

The wall control acts like a thermostat, a thermister in the wall control is sending temperature information back to the micro processor on the furnace. This information is used to determine the need to increase or decrease the size of the fire according to the temperature demand.

Setting The Room Temperature

To set the room temperature, simply turn the temperature dial to the desired setting. The control and the furnace will then perform to achieve the set temperature.

Note: The minimum temperature you can set with a full counter-clockwise knob position is 58 degrees. The maximum temperature you can set with a full clockwise knob position is 90 degrees.

Wall Control calibration: The "Normal Setting" on the Temp Dial of the Furnace Control (See Fig.44) calibrates the Wall Control temperature span. If the Temp Dial is not pointing to the "Normal Setting", the temperature span could vary by 3 degrees up or down depending on the Temp Dial knob setting.



CAUTION

DO NOT BURN GARBAGE, GASOLINE, NAPHTHA, ENGINE OIL OR OTHER INAPPROPRIATE MATERIALS

I. Low Fuel Sensor

There is a low fuel sensor in the hopper that tells the control that the fuel level in the hopper has dropped below the sensor. When this happens, the Low Fuel light on the Wall Control will start to blink. You then know that it is time to fill the hopper with pellets.

Note: Testing the low fuel sensor can be done by turning the FEED ADJUSTER knob to "Test". The POWER light will go off when the sensor is uncovered and will light when the sensor is covered again.

Note: The LOW FUEL light on the Furnace Control will light at the same time. Only the LOW FUEL light on the Furnace Control will remain lit for three minutes after the sensor is covered with pellets. See Note below.

Note: The Low Fuel light indicates that there is power going to the auxiliary leads in the circuit breaker junction box. (120 VAC 60 Hz Max. 1 Amp.)The auxiliary power leads could be used if a bulk hopper and auger system were installed. (see wiring diagram on page 36)

Type of Fuel

Pelletized wood only.

Note: The lower the ash content of the pellets means less heat exchanger surface cleaning that will be needed. The cleaner these surfaces are kept, the more efficient the furnace will be.

4 Operating Instructions

A. Starting Your First Fire

1. The wall control is required for proper operation of this appliance in “Automatic” mode. At this time, fill the hopper with pellets, insure the control is set to “OFF”. Figure 4.1. Plug the power cord into a properly grounded, nearby outlet.
2. Once power is present, the unit it will run through a quick diagnostics test to insure the control is operating properly. This is normal.
3. For your first fire it may be necessary to purge the auger system by putting the feed adjuster knob to “Test” prior to starting the unit. Figure 4.2. This insures that plenty of fuel enters the burn pot for proper ignition.



4. Flip toggle switch to desired mode “auto or manual”. Figure 4.3. Set feed adjuster knob to desired setting and turn mode dial to “Automatic” or “Service” Figure 4.4. **Note:** Feed rate of #4 is a good starting point. Adjustments made need to be made depending on fuel quality and/or heat output desired.
5. The fuel feed system and the igniter should now be on (If unit is set to auto mode).
6. Once the appliance has ignited, let it burn for approximately 7-10 minutes. After this time, the igniter light should turn off and the unit should begin to operate per the settings at the control.

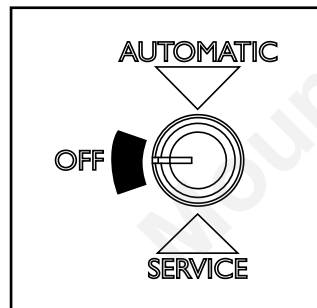


Figure 4.1

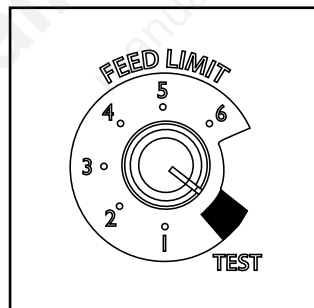


Figure 4.2



Figure 4.3

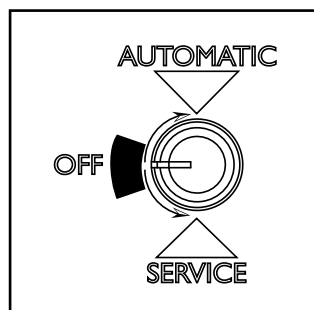


Figure 4.4

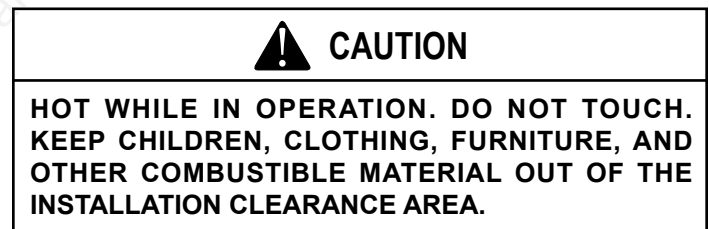
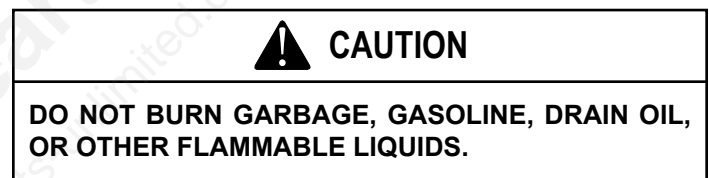
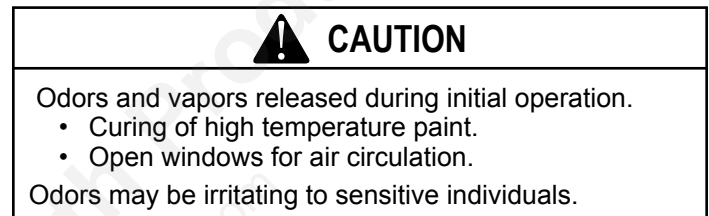
B. Fire Characteristics

A properly adjusted fire has a medium active flame pattern that extends out of the burn pot approximately 6 inches (152mm).

C. Feed Rate Adjustment Instructions

The feed adjustment control is factory set at #4, and should be adequate for most fuels.

However, if the flame height is too high or too low, you will need to adjust the feed rate. Wait until the appliance has been burning for 15 minutes before making your adjustments and allow 15 minutes for feed adjustment to take effect.



FOR SAFETY KEEP FIRING AND ASH PIT DOORS TIGHTLY CLOSED.

OPERATE THE ELECTRIC FURNACE PERIODICALLY TO ENSURE THAT IT WILL OPERATE SATISFACTORILY WHEN NEEDED.

D. Ignition Cycles

1. At the beginning of each ignition cycle, it is normal to see some smoke in the firebox. The smoke will stop once the fire starts.
2. The distribution blower will automatically turn on after your fan limit control has reached the set temperature.

This blower transfers heat from your appliance through your duct. In "Automatic" mode however, the blower will turn on and off in accordance to what temperature the fan limit control is reading in the plenum. When the wall control is satisfied the blower will shut down until the wall control sees a demand for heat.

3. Occasionally the appliance may run out of fuel and shut itself down. When this happens, the unit will need to be turned to the off position and restarted.

If needed, follow the instructions in Section A, "Starting Your First Fire".



WARNING



Fire Risk

Do NOT operate appliance:

- With fuel-loading or ash-removal doors open.
- Burnpot floor open.
- Cleaning slide plates open.

Do NOT store fuel:

- Closer than required clearances to combustibles to appliance
- Within space required for loading or ash removal.

E. Automatic Ignition

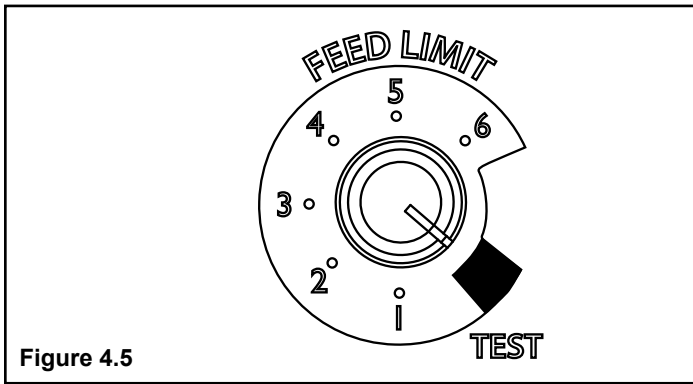


Figure 4.5

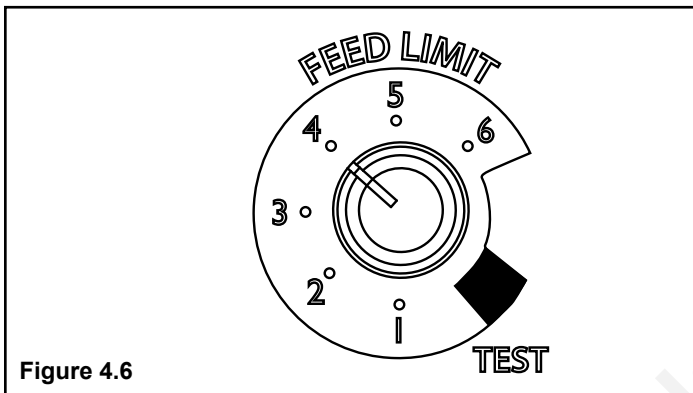


Figure 4.6

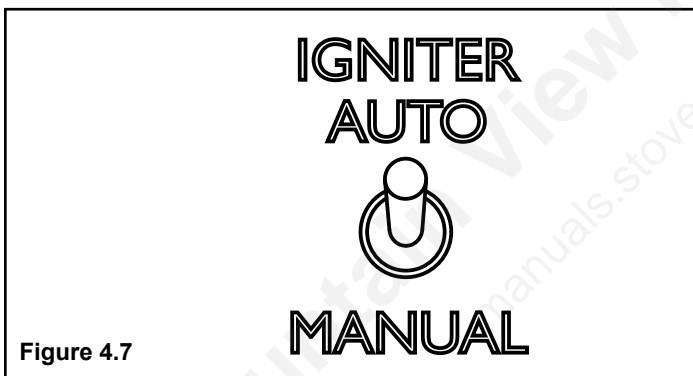


Figure 4.7

1. If starting after an empty hopper, turn Feed Adjuster to "TEST" (for one 60 second cycle). This will charge pellets into the auger tube and also allow you to check the motors for operation. Figure 4.5.

NOTE: The auger motor will not operate with the furnace door open.

2. Turn Feed Adjuster to #4.

If this is your first fire, or you are trying different pellets, set the feed adjuster to #4, Figure 4.6. This is a conservative number and will probably need to be increased if maximum BTU output is desired. After you know a feed rate setting that works well for your application, use that setting.

3. Flip the Igniter Switch up into the "AUTO-LIGHT" position, Figure 4.7.

WARNING



Fire Risk

Do NOT operate appliance:

- With fuel-loading or ash-removal doors open.
- Burnpot floor open.
- Cleaning slide plates open.

Do NOT store fuel:

- Closer than required clearances to combustibles to appliance
- Within space required for loading or ash removal.

WARNING

HOT WHILE IN OPERATION. KEEP CHILDREN, CLOTHING, AND FURNITURE AWAY. CONTACT MAY CAUSE SKIN BURNS.

F. Manual Ignition

Lighting the fire manually will not be necessary unless the igniter system fails.

1. **Flip the Igniter Switch Down** into the “MANUAL-LIGHT” position. See Figure 4.8.
2. **Open inner and outer ash doors as shown in Figures 5.1 thru 5.3. Located in the maintenance and service sections of this manual.**
3. **Fill burnpot with pellets as shown in Figure 4.9. Only fill level with the front edge. (DO NOT OVERFILL)**
4. **Have matches or other ignition source ready.**
5. **Turn Mode Selector to “SERVICE”** Figure 4.10.

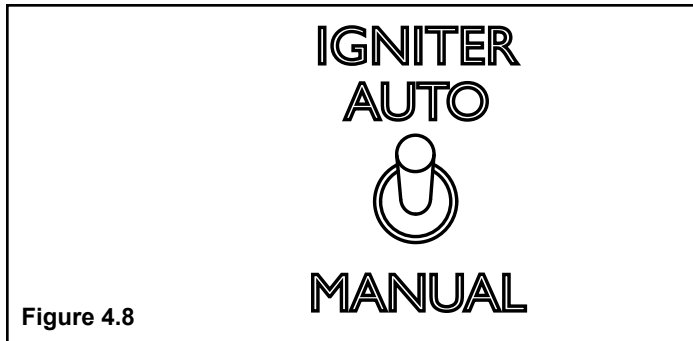


Figure 4.8

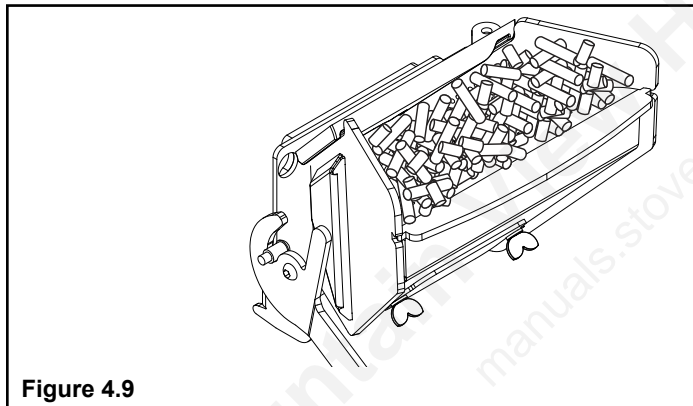


Figure 4.9

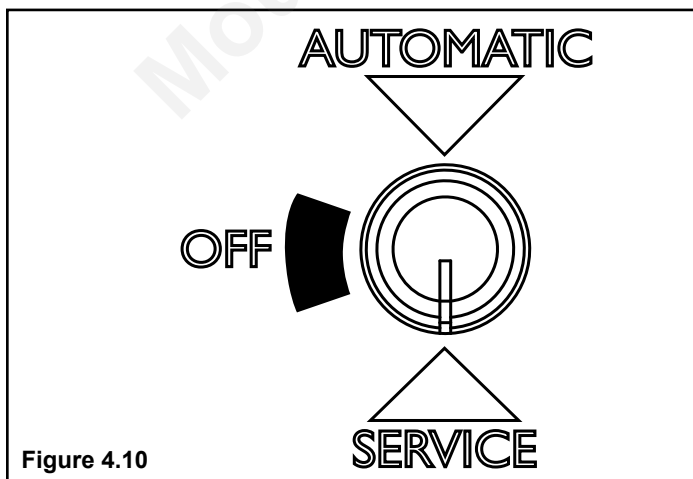


Figure 4.10

This will start the combustion blower and allow the ESP to control the fire in relation to the Temp Dial setting 1 through 7. Once the fire is well established the Temp Dial can remain on any number setting desired, or changed to the “AUTOMATIC” setting. If you change to “AUTOMATIC” remember to set the Temp Dial to desired temperature.

NOTE: When the Switch is set to Manual-Light in the “AUTOMATIC” mode, the wall control will function as in Auto-Light except the fire will not be allowed to go out. It will only be allowed to go to a minimum burn rate between the times the wall control is calling for heat. This rate is about 1 pound of fuel per hour.

⚠ WARNING

NEVER USE GASOLINE, GASOLINE-TYPE LANTERN FUEL, KEROSENE, CHARCOAL LIGHTER FLUID, OR SIMILAR LIQUIDS TO START OR “FRESHEN UP” A FIRE IN THIS FURNACE. KEEP ALL SUCH LIQUIDS WELL AWAY FROM THE FURNACE WHILE IN USE

6. **Apply starting gel as shown in Figure 4.11.**

NOTE: Stirring the starting gel into the pellets usually allows the fire to become established quicker.

⚠ CAUTION

- A vapor flash could occur if too much time is allowed to pass before lighting the starting gel.
- Care must be taken not to get starting gel on your hands or clothing. Serious burns could occur during the lighting process.
- Never try to apply more starting gel to an already burning fire, or a fire with smoldering pellets.

7. **Light the starting gel with a match.**

8. **Close the doors**

The fire will light and the control will adjust the fire to the proper level according to the temperature reading at the wall control.

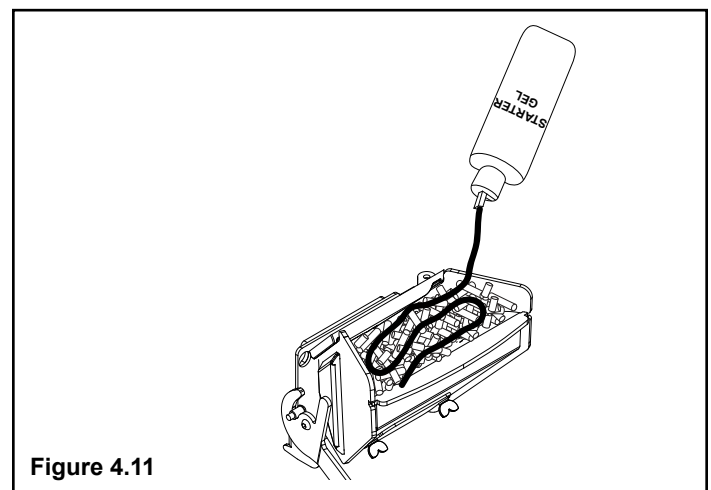




Figure 4.11

5 Maintenance & Service

When properly maintained, your furnace will give you many years of trouble-free service. **Contact your dealer** to answer questions regarding proper operation, trouble-shooting and service for your appliance. Visit www.harmanstoves.com to find a dealer. We recommend annual service by a qualified service technician.

A. Proper Shutdown Procedure


CAUTION



Shock and Smoke Hazard

- Turn unit to the off position, let appliance completely cool and combustion blower must be off. Now you can unplug appliance before servicing.
- Smoke spillage into room can occur if appliance is not cool before unplugging.
- Risk of shock if appliance not unplugged before servicing appliance.

Follow the detailed instructions found in this section for each step listed in the chart below.

B. General Maintenance

Types of Fuel

The type of fuel you are burning will dictate how often you have to clean your burnpot.

If the fuel you are burning has a high dirt or ash content, it may be necessary to clean the burnpot more than once a day.

Dirty fuel will cause clinkers to form in the burnpot. A clinker is formed when dirt, ash or a non-burnable substance is heated to 2000°F (1093°C) and becomes glass-like.

Cleaning Cycle Meter

A cleaning cycle hour meter (pictured below) keeps track of the total accumulated hours the feeder motor runs, not the number of hours the unit is in operation. By knowing this you can keep track of how often you need to clean the burnpot and heat exchanger with your brand of pellets.

Some recommended hourly intervals are:

- 50 hours for the burnpot.
- 100 hours for a complete cleaning.

After cleaning is completed, reset the hour meter by pushing the reset switch located in the upper left hand corner of the control.



C. Quick Reference Maintenance Chart

Cleaning or Inspection	Frequency		Daily	Weekly	Monthly	Yearly
Ash Pan / Ash Removal from Firebox	100-120 hours	OR		X		
Heat Exchanger	100-120 hours	OR		X		
Blower, Combustion (Exhaust)	More frequently depending on the fuel type	OR			X	
Blower, Distribution		OR			X	
Door Gasket Inspection	Prior to heating season	OR				X
Exhaust Path	More frequently depending on ash build-up	OR			X	
Firebox - Prepare for Non-Burn Season	At end of heating season	OR				X
Burnpot - Burning pellets - hardwood	50 Hours	OR	X			
Burnpot - Burning pellets - softwood	60 Hours	OR	X			
Glass	When clear view of burnpot becomes obscure	OR		X		
Hopper / Hopper Lid Gasket		OR			X	
Venting System	More frequently depending on the fuel type	OR			X	

NOTICE: These are recommendations. Clean more frequently if you encounter heavy build-up of ash at the recommended interval or you see soot coming from the vent. Not properly cleaning your appliance on a regular basis will void your warranty.

D. Ash Removal

It is recommended to remove the ashes when the furnace is not in operation. This lessens the chances of coming in contact with hot surfaces. Ashes can be removed while in operation but, extra care must be taken.

Open Outer Ash Door

Lift the two latches shown in Figure 5.1 and open the outer door as shown in Figure 5.2. If the Distribution Blower is running when the outer door is open, some air will escape around the door opening. This is not a problem, however any dust that is caused in the ash removal process can potentially be blown around.

Open Inner Ash Door

Lift latches shown in Figure 5.2 and open the inner door as shown in Figure 5.3.

NOTE: Keep hopper lid and inner door closed during operation and maintain all seals in good condition.

Remove Ash Pan

Always wear gloves to remove ash pan. Grab the ash pan by the handle and pull it out of the furnace. Lift the handle and use it for carrying the ash pan. **Close the inner door before disposing of the ashes.**

Disposal of Ashes

Ashes should be placed in a metal container with a tight fitting lid. The closed container of ashes should be placed on a non-combustible floor or on the ground, well away from all combustible materials, pending final disposal. If ashes are disposed of by burial in soil or otherwise locally dispersed, they should be retained in the closed container until all cinders have thoroughly cooled.

Soot and Fly-ash: Formation and Need for Removal

The products of combustion will contain small particles of fly-ash. The fly-ash will collect in the exhaust venting system and restrict the flow of the flue gases. Incomplete combustion, such as, during startup, shutdown, or incorrect operation of the furnace will lead to some soot formation which will collect in the exhaust venting system. The exhaust venting system should be inspected at least twice monthly to determine if cleaning is necessary.

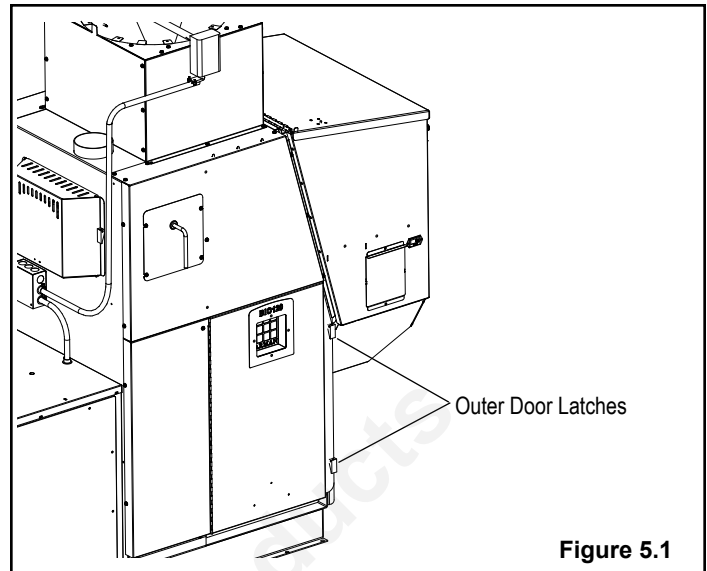


Figure 5.1

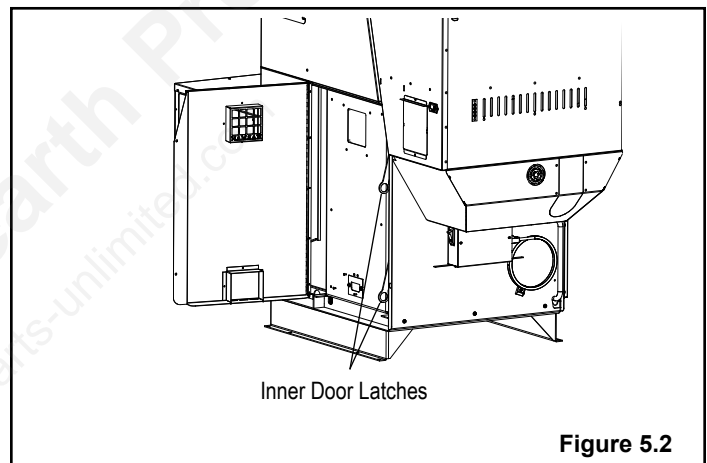


Figure 5.2

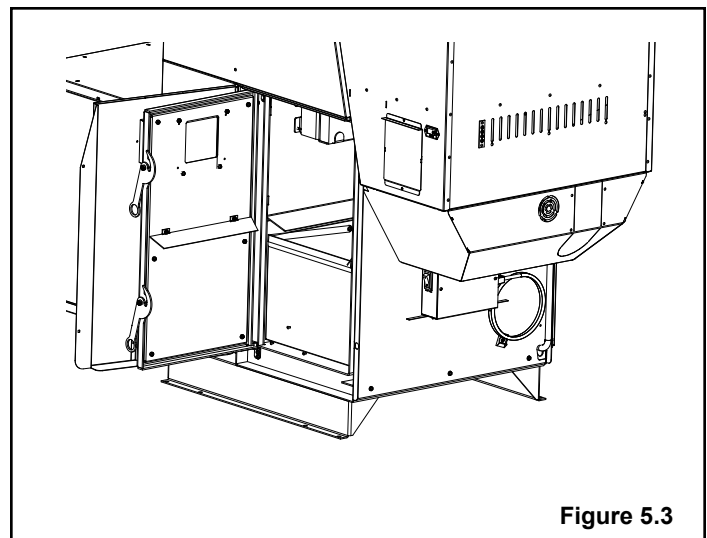


Figure 5.3

E. Burnpot Maintenance

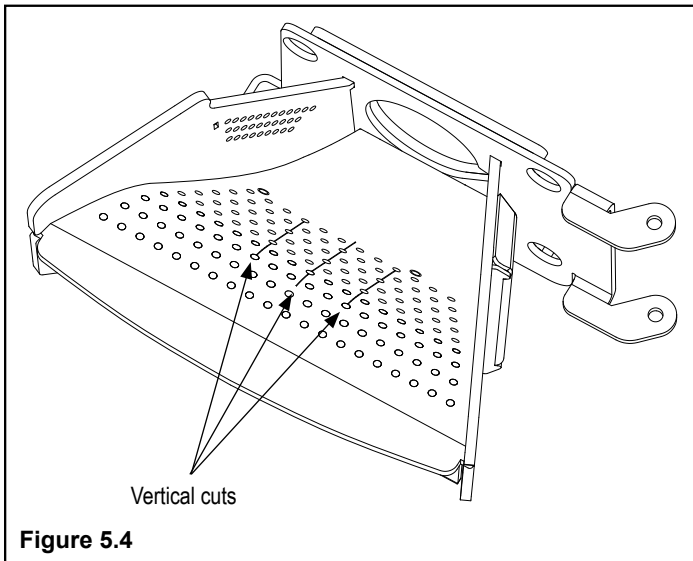


Figure 5.4

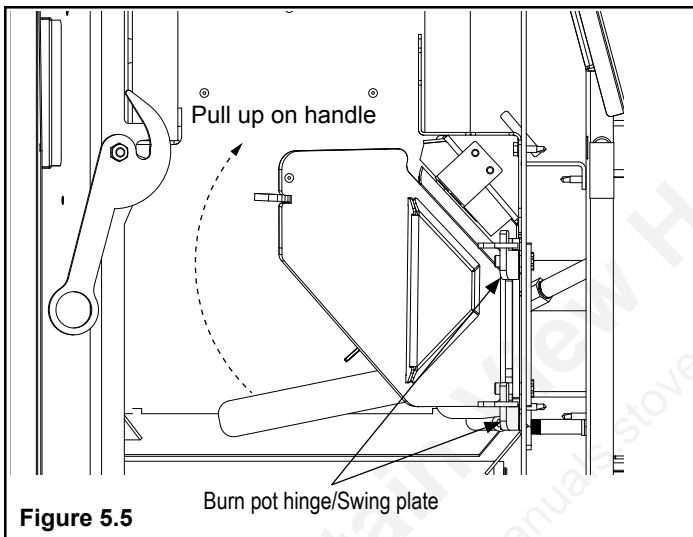


Figure 5.5

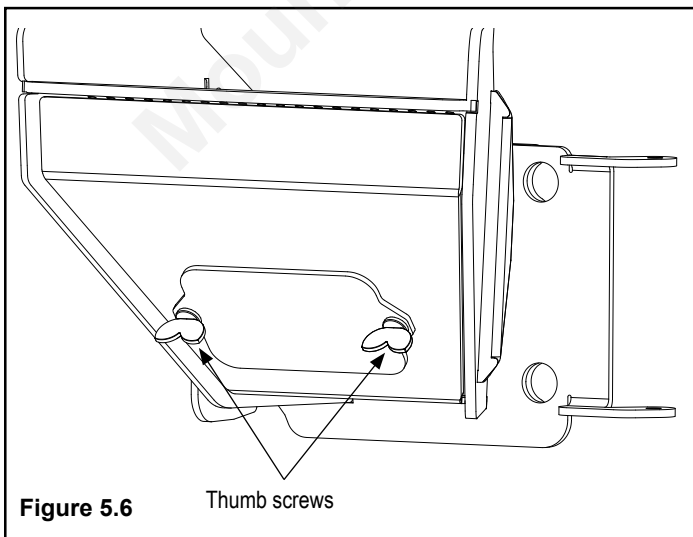


Figure 5.6

When cleaning the burnpot make sure all the holes are open and free from encrusted carbon around the edges.

A special effort should be made to clean the bottom inside corners of the burnpot where the auger tube enters the burnpot. Carbon deposits can build up over time in this area that could cause a restriction to the flow of pellets and/or cause the pellets to push onto the burn grate area unevenly.

The three vertical cuts in the burnpot surface (Figure 5.4) are there to relieve expansion stress do to the high heat the material sees. Some unevenness may occur in this area. As long as the holes are kept clean and clear of any blockage this will not effect the operation of the unit.

Removing the swing out burnpot:

- Make sure the unit is cooled down or cold.
- Remove ash pan.
- Swing the latch handle up until you feel it contact the top of the swing plate. Then push upward until you see the burnpot swing out. Figure 5.5.
- Lift the burnpot up off of the swing plate in the unit.
- Remove the flame guide.
- Empty any fines that may have built up under the burn pot grate. To do this loosen the 2 thumb screws located on the front of the burnpot and remove the cover. The air chamber can be cleaned of any ash that has fallen through the holes during operation and cleaning. Figure 5.6

Before replacing the swing out burnpot:

1. Inspect the red silicone gasket on the back of the burnpot to make sure there is no damage or carbon around the edges that may cause a poor seal. Figure 5.7.
2. Inspect the sealing surface on the swing plate inside the unit. The surface needs to be clean and smooth.
3. **Do not forget to reinstall the flame guide or the cleanout cover.**
4. Make sure the burnpot is fully seated with the latch handle down as far as it can go.

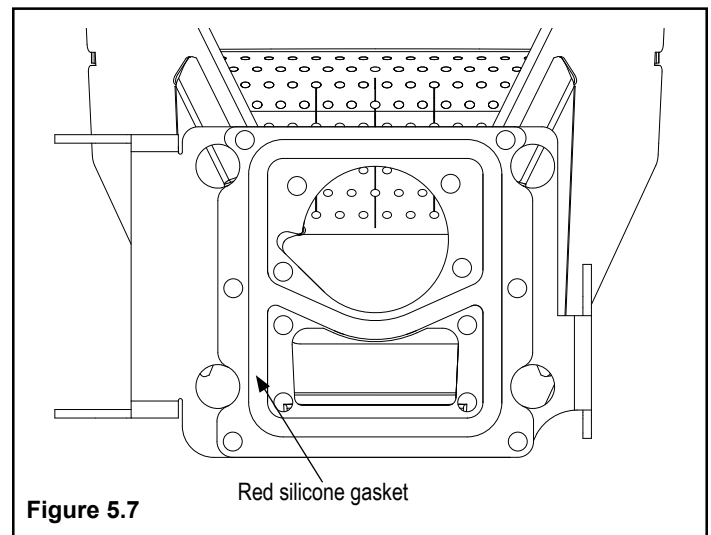


Figure 5.7

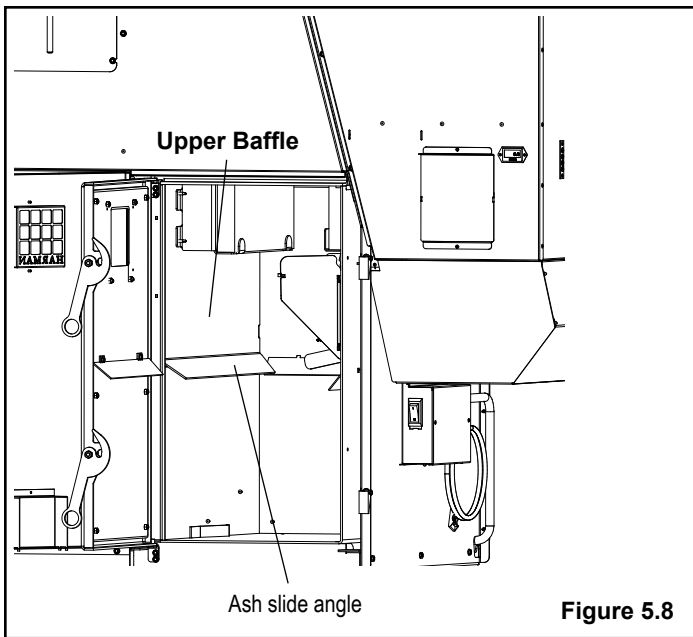


Figure 5.8

F. Accordion Heat Exchanger

This cleaning should be done monthly, or after each ton of pellets used. The frequency of this cleaning will be directly related to the quality and the quantity of the pellets being used. Keep in mind that the cleaner the heat exchanger surface is kept, the higher the heat transfer efficiency will be.

Due to its ease of restarting it is recommended that the furnace be **OFF** and **COOL** before cleaning.

Before starting to clean the inside of the firebox area it is recommended that all of the baffling be removed. Start with the upper heat exchanger baffle. Figure 5.8. Remove the firebrick then push straight upward on the lower ash slide angle approximately 1/2". This will release the baffle from the positioning brackets and allow it to be tilted toward the burnpot and removed from the furnace.

Note: Observe the positioning tabs and bracket system on the rear of the upper baffle as it is being removed for easier replacement later.

Remove the lower baffle plate. This baffle is a flat plate that sits on the firebox floor. Tip the top edge toward the burnpot and lift up and out of the furnace. Note how the baffle bottom edge sits behind the ash pan guide and against the heat exchanger. Figure 5.9.

With all of the baffling removed, the entire firebox area and the accordion heat exchanger can be cleaned. Use the pointed end of the scraper supplied to clean the accordion heat exchanger. A small wisp brush, wire brush, or an old stiff bristled paint brush works best for cleaning the firebox walls and baffle plates. All of the fly ash removed during cleaning will fall to the bottom of the furnace where there is an unobstructed access for cleaning. Even the bottom ends of the chains can be seen and accessed easily from the door opening. Figure 5.10.

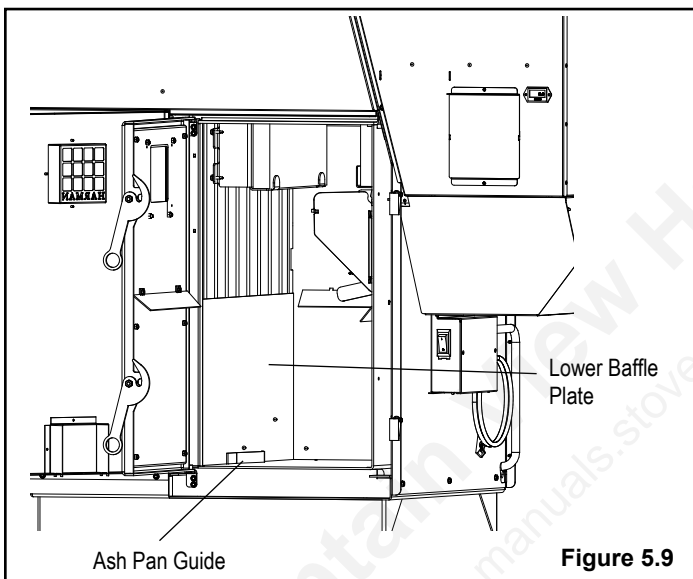


Figure 5.9

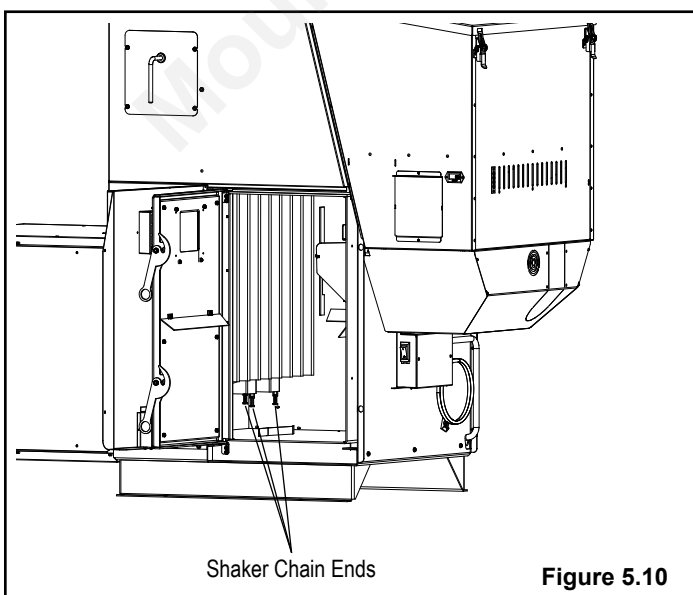


Figure 5.10

CAUTION

Cleanout of the heat exchanger, flue pipe, chimney, and combustion blower fan housing is especially important at the end of the heating season to minimize corrosion during the summer months caused by accumulated ash.

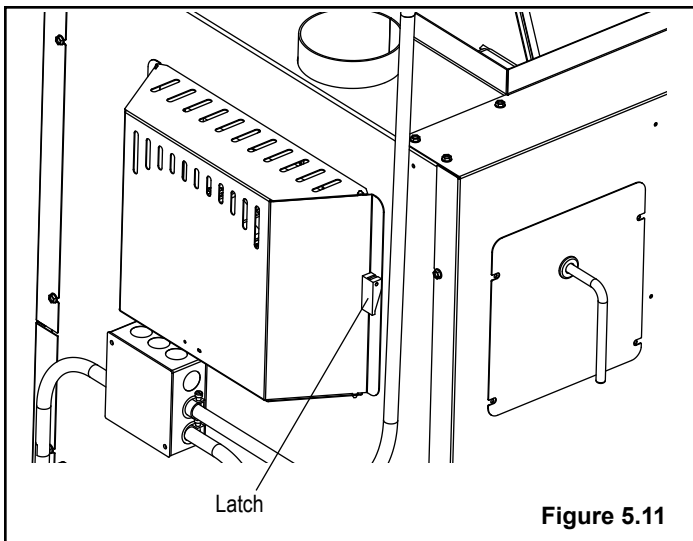


Figure 5.11

G. Combustion Blower Chamber

Remove the combustion blower heat shield. There are two latches that hold the shield in place. Figure 5.11. Flip the latches up and pull the shield away from the furnace. It can not be fully removed, it can only be moved down over the wire until it hangs on the junction box.

The furnace **MUST be OFF and COOL** before you should attempt to clean the combustion blower.

The wire to the combustion blower doesn't need to be disconnected during the cleaning process.

Loosen the three (3) thumb screws about 4 turns each. Figure 5.12. Hold the motor head with one hand and the blower plate handle with the other hand. Pull outward on the plate handle until the complete unit comes loose. Now rotate the plate counter-clockwise about 1/8 turn. This will allow the complete assembly to be removed from the blower chamber.

Clean the blower fan blades and the blower plate sealing overlap. Figure 5.13.

Note: Be careful not to bend the fan blades, this will throw the fan blade out of balance or it may rub the inner chamber, which may affect the performance of the furnace. Any horizontal and vertical flue pipe directly above the unit should be cleaned at this time.

Note: The horizontal flue pipe directly above the furnace is the first place fly ash will settle, due to the slowing of flue gas velocity through horizontal pipe. Cleaning of horizontal venting pipes is very important to the efficiency of this furnace.

Note: Inspection, maintenance and cleaning of the convection/distribution air filter should be done regularly.

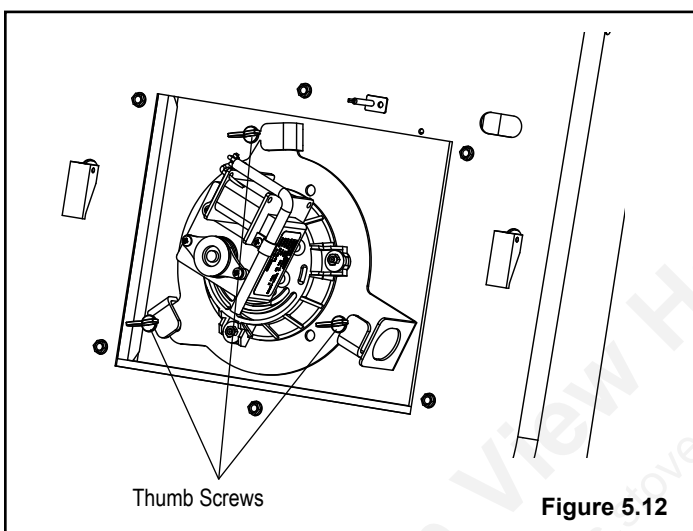


Figure 5.12

H. Distribution Blower and Air Filter

Inspect and clean (if needed) the furnace cold air return distribution blower and air filter located just below the combustion blower chamber. This area should be inspected monthly or more frequently depending on its installation location. If the Air Filter is needing replaced use a 20"x20"x1" Air Filter, Harman® part #3-40-20201-12.

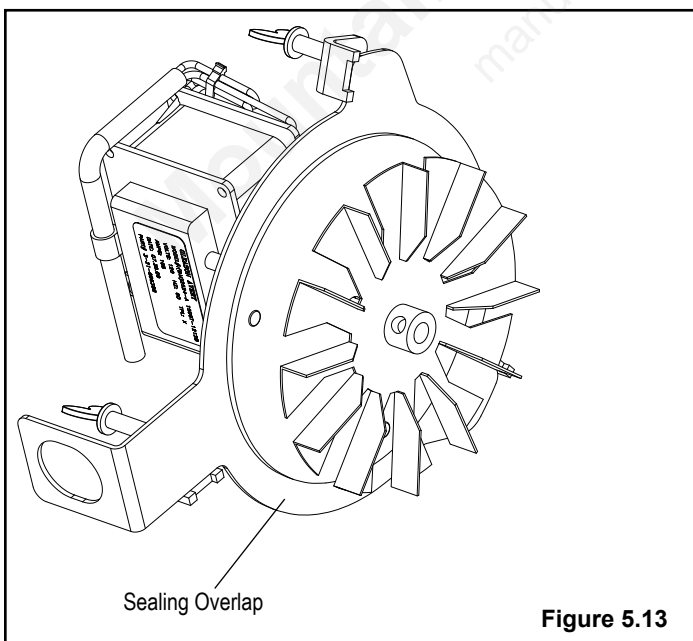


Figure 5.13

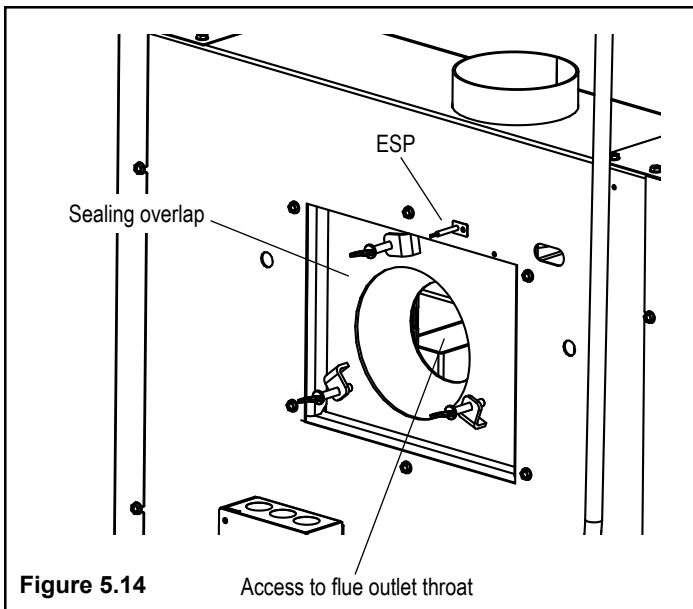


Figure 5.14

Access to flue outlet throat

Clean the flue outlet throat (this is the hole that goes up into the flue pipe). Figure 5.14.

Note: The ESP extends into this same area. **CARE MUST BE TAKEN NOT TO DAMAGE THE ESP DURING CLEANING.**

Clean the inner chamber of the blower housing, the furnace blower plate and sealing overlap. Figure 5.14. Inspect the tops of the heat exchanger tubes where the chain shaker mechanism is located. Make sure there are no fly ash buildups that may block the easy flow of flue gases into the combustion blower inlet hole. (A flashlight may be necessary.)

Inspect the chain shaker mechanism for proper operation.

Note: Fly ash can build up to the top edges of the heat exchanger tubes without affecting operation. The chain shaker will cause any excess to fall down into the chamber under the tubes where it can be cleaned out through the fire box. Figure 5.14.

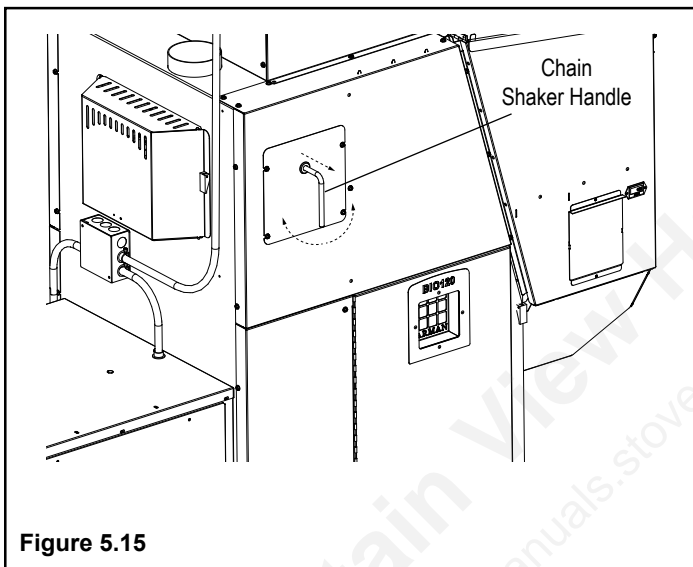


Figure 5.15

CAUTION

Inspect flue pipes, flue pipe joints and flue pipe seals regularly to ensure that smoke and flue gases are not drawn into, and circulated by, the air-circulation system.

I. Tube Heat Exchangers:

The heat exchanger tubes have an external handle that operates the cleaning mechanism. Figure 5.15.

This cleaning should be done at least once a week, although it can be done more frequently. The cleaner the heat exchangers are, the more efficient the furnace will be. This cleaning can be done at any time and in any mode of operation.

The handle has two directions of movement, Right to Left and In and Out. All inside surfaces of these rectangular tubes can be cleaned with this range of motion. First, with the handle pushed in, turn the handle right to left, the full sweep, several strokes. Second, with the handle pointing straight down, pull out and push inward several strokes. Third, with the handle all the way out, turn the handle right to left, the full sweep, several times. End with the handle pushed inward and pointing down. The shaker handle should be pushed inward and straight down during normal operation. Figure 5.15.

Note: Fly ash can build up to the top edges of the heat exchanger tubes without affecting operation. The chain shaker will cause any excess to fall down into the chamber under the tubes where it can be cleaned out through the fire box. Figure 5.16.

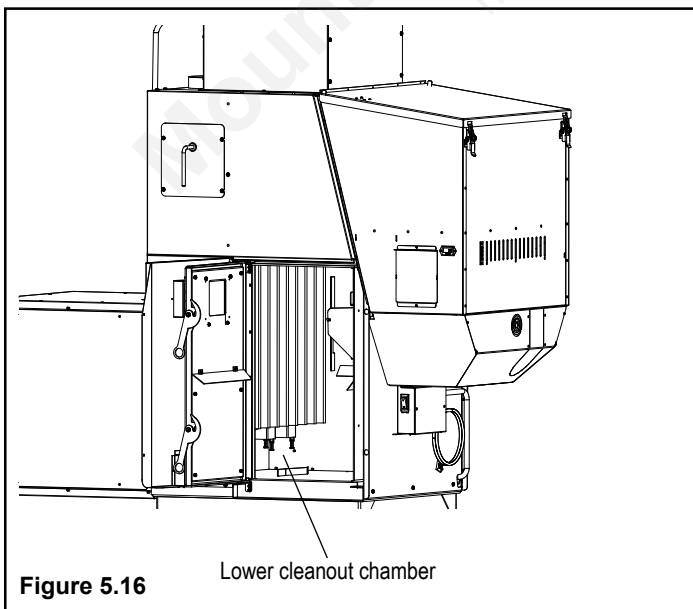


Figure 5.16

Lower cleanout chamber

CAUTION

CLEANOUT OF THE HEAT EXCHANGER, FLUE PIPE, CHIMNEY, AND DRAFT INDUCER, IF USED, IS ESPECIALLY IMPORTANT AT THE END OF THE HEATING SEASON TO MINIMIZE CORROSION DURING THE SUMMER MONTHS, CAUSED BY ACCUMULATED ASH.

6 Troubleshooting and Frequently Asked Questions

A. Error Code Description

Status light error messages:

2 Blinks: Indicates lack of draft, door/lid is open, pressure switch is open, flue blockage.

3 Blinks: Indicates that the ESP (Exhaust Sensing Probe) has gone out of range too many times. If the unit seems to be operating normally, Perform a manual reset*. If the code persists, you'll need to call a service technician.

4 Blinks: Can occur only in the Automatic Mode and indicates the Wall Control has failed or is not installed. If a Wall control is then installed the status light will automatically reset.

5 Blinks: (In Auto Light Mode Only)

Indicates that the igniter has failed to light the fire after 4 consecutive 8 minute attempts. To reset - Turn the Mode Selector to OFF and then back to Automatic.

6 Blinks : Indicates that the control has calculated poor or incomplete combustion occurring for more than 25 minutes.

A six blink status may be set if the furnace is allowed to run out of pellets. To reset, turn mode selector to "OFF" then back on to the desired mode. If the unit was not out of pellets, see Troubleshooting section for more details.

* **Manual reset**, disconnect power at the circuit breaker for a few seconds and reconnect. If error still occurs call your Dealer.

Mode Selector

Allows you to choose between Automatic Mode, Service Mode or OFF.

Automatic Mode

Automatic mode switches operational control of the furnace to the wall mounted control. This is the mode to use whenever the furnace is burning in a normal heating application.

Service Mode

Service mode switches control of the furnace to the temp dial. The temp dial can be set from 1 to 7 to allow a steady furnace temperature at the desired level. The main purpose of this mode is to operate the furnace without having to go back to the wall mounted control.

OFF Mode

Turning the mode selector to OFF will shut down the furnace.

B. Frequently Asked Questions

ISSUES	SOLUTIONS
1. Metallic noise.	1. Noise is caused by metal expanding and contracting as it heats up and cools down, similar to the sound produced by a furnace or heating duct. This noise does not affect the operation or longevity of your appliance.
2. White ash buildup on glass.	2. This is normal. Clean the glass using any non-abrasive glass cleaner.
3. Glass has buildup of black soot	3. Excessive build-up of ash. See solution #4. The lower burn settings will produce more ash, the higher burn settings produce less. The more it burns on low the more frequent cleaning of the glass is required.
4. Glass has turned dirty.	4. Excessive build up of ash. The lower burn settings will produce more ash, the higher burn settings produce less. The more it burns on low the more frequent cleaning of the glass is required.
5. Fire has tall flames with black tails and is lazy.	5. The feed rate needs to be reduced or the burnpot needs cleaning. Heat exchanger or exhaust blower needs cleaning.
6. Smokey start-up or puffs of smoke from the airwash.	6. Either the burnpot is dirty or there is too much fuel at start-up and not enough air.
7. Large flame at start-up.	7. This is normal. Flame will settle down once the fire is established.

C. Troubleshooting

With proper installation, operation, and maintenance your appliance will provide years of trouble-free service. If you do experience a problem, this troubleshooting guide will assist a qualified service person in the diagnosis of a problem and the corrective action to be taken. This troubleshooting guide can only be used by a qualified service technician.

FURNACE DOES NOT FEED

1. No fuel in hopper.
2. Firebox draft may be too low for sensing switch in feeder circuit to operate. **Check for closed doors**, loose or missing gasket on doors or hopper lid.
3. Feed motor will not run until the ESP control senses a certain temperature. Maybe you did not put enough fuel or starting gel in the burn pot before manually lighting the fire.
4. Restriction in the hopper or feeder. Remove all fuel and examine. Clear the obstruction.
5. Feed motor has failed.

PARTIALLY BURNED PELLETS

1. Feed rate too high.
2. Poor air to fuel mixture. (Check burn pot clean-out cover and air intake).
3. Burn pot or heat exchanger tubes may need to be cleaned.
4. Combination of all the above.
5. #6 status blink: A 6 blink control board status indication is caused by poor or incomplete combustion. The circuit board has the ability to track the combustion through feed settings and ESP temperatures. When the control board has calculated poor or incomplete combustion, it will shut down the unit as a safety feature. (Poor or incomplete combustion is a contributor of creosote which may cause a chimney fire)

A 2 blink status may be caused by several things:

1. Blocked or partially blocked flue.
2. Blocked or partially blocked inlet air.
 - a. Backdraft damper on the inlet pipe may be stuck closed.
 - b. If outside air is installed, the inlet cover may be blocked.
3. The air chamber under the burnpot may be filled with fines and small bits of ash.
4. The holes in the burnpot may be getting filled with ash or carbon buildup.
5. Combustion blower fan blades may need cleaned.
6. Fuel restrictions as noted above.

SMOKE SMELL

Seal the vent pipe joints and connection to furnace with silicone. The exhaust vent is the only part of the system that is under positive pressure.

FIRE HAS GONE OUT- Check for status light.

1. No fuel in hopper.
2. Draft is too low, blocked flue.
3. Something is restricting fuel flow.
4. Hopper lid not closed properly.
5. Feed motor or combustion blower has failed.

SMOKE IS VISIBLE COMING OUT OF VENT

1. Air-fuel ratio is too rich.
 - a. Feed rate too high.
 - b. Draft too low caused by a gasket leak.

LOW HEAT OUTPUT

1. Feed rate too low
2. Draft too low because of gasket leak.
3. Poor quality or damp pellets
4. Combination of 1 and 2.

HELPFUL HINTS

1. Cleaning Burn Pot

Whenever your furnace is not burning, take the opportunity to scrape the burn pot to remove carbon buildup. A vacuum cleaner is handy to remove the residue. Be sure the furnace is cold if you use a vacuum.

Carbon buildup can be scraped loose with the fire burning using the special tool provided with your furnace. Scrape the floor and sides of the burn pot. The carbon will be pushed out by the incoming fuel. Always wear gloves to do this.

2. Removing Ashes

Turn the Temp Dial to number 1 approximately 30 minutes before removing ashes. This will result in a cooler furnace and ash pan.

Maximum Feed Adjuster settings are not needed in most cases. Operating in the normal range (#4) is recommended when maximum heat output is not required. The ESP probe prevents the furnace from being over-fired.

Keep the furnace free of dust and dirt.

Fuel

The PF-120 Pellet Furnace is approved for burning any grade of pelletized bio-mass fuel.

It should be noted, however, that higher ash content will require more frequent ash removal, scraping of the burn pot, and may provide less BTU's per pound.

The moisture content of pellets must not exceed 8%. Higher moisture will rob BTU's and may not burn properly.

Fuel should **not** be stored within the furnace installation clearances or within the space required for charging and ash removal.

7 Reference Material

A. Safety Reminders

When operating your Harman® PF-120 Pellet Furnace, respect basic safety standards. Read these instructions carefully before you attempt to operate the PF-120 Pellet Furnace. Failure to do so may result in damage to property or personal injury and may void the product warranty.

CAUTION: This appliance must be vented to the outside.

Due to high temperatures, this furnace should be placed out of traffic and away from furniture and draperies.

Children and adults should be alerted to the hazards of high surface temperatures and should stay away to avoid burn to skin and/or clothing.

Young children should be carefully supervised when they are in the same room as the furnace.

Clothing and other flammable materials should not be placed on or near this furnace.

Installation and repair of this furnace should be done by a qualified service person. The appliance should be inspected before use and at least annually by a qualified service person. More frequent cleaning will be required. It is imperative that control compartments, burners, and circulating air passageways of this furnace be kept clean.

Disposal of ashes: Ashes should be placed in a steel container with a tight-fitting lid and moved outdoor immediately. The closed container of ashes should be placed on a noncombustible floor or on the ground, well away from all combustible materials, pending final disposal. If the ashes are disposed of by burial in soil or otherwise locally dispersed, they should be retained in the closed container until all cinders have thoroughly cooled. Other waste shall not be placed in this container.

Soot and fly ash: Formation and need for removal. The products of combustion contain small particles of fly ash. The fly ash will collect in the exhaust venting system and will restrict the flow of the flue gases. Pellet fuels have different ash contents depending on what type of wood has been used to make the pellets. **We recommend to clean the system after approximately 1 ton of pellets have been burned and judge from that how often the furnace should be cleaned, remember if you change pellets it may change how often you have to clean your furnace.**

When burning wood slowly, the potential exists for creosote to form. The venting system should be inspected periodically throughout the heating season to determine if a creosote buildup has occurred. If a significant layer of creosote has accumulated (3mm or more), it should be removed to reduce the risk of a chimney fire. If a fire occurs, call the fire department, shut down the furnace, and evacuate the residence. Before using the appliance, have the venting system thoroughly inspected and replace any damaged components.



WARNING

MOBILE/MANUFACTURED HOME GUIDELINES DO NOT ALLOW INSTALLATION IN A SLEEPING ROOM.



CAUTION

THE STRUCTURAL INTEGRITY OF THE MOBILE HOME FLOOR, WALL, AND CEILING/ROOF MUST BE MAINTAINED.



CAUTION

THE FURNACE IS HOT WHILE IN OPERATION. KEEP CHILDREN, CLOTHING AND FURNITURE AWAY. CONTACT MAY CAUSE SKIN BURNS.



WARNING

KEEP COMBUSTIBLE MATERIALS SUCH AS GRASS, LEAVES, ETC. AT LEAST 3 FEET AWAY FROM THE POINT DIRECTLY UNDER THE VENT TERMINATION.



WARNING

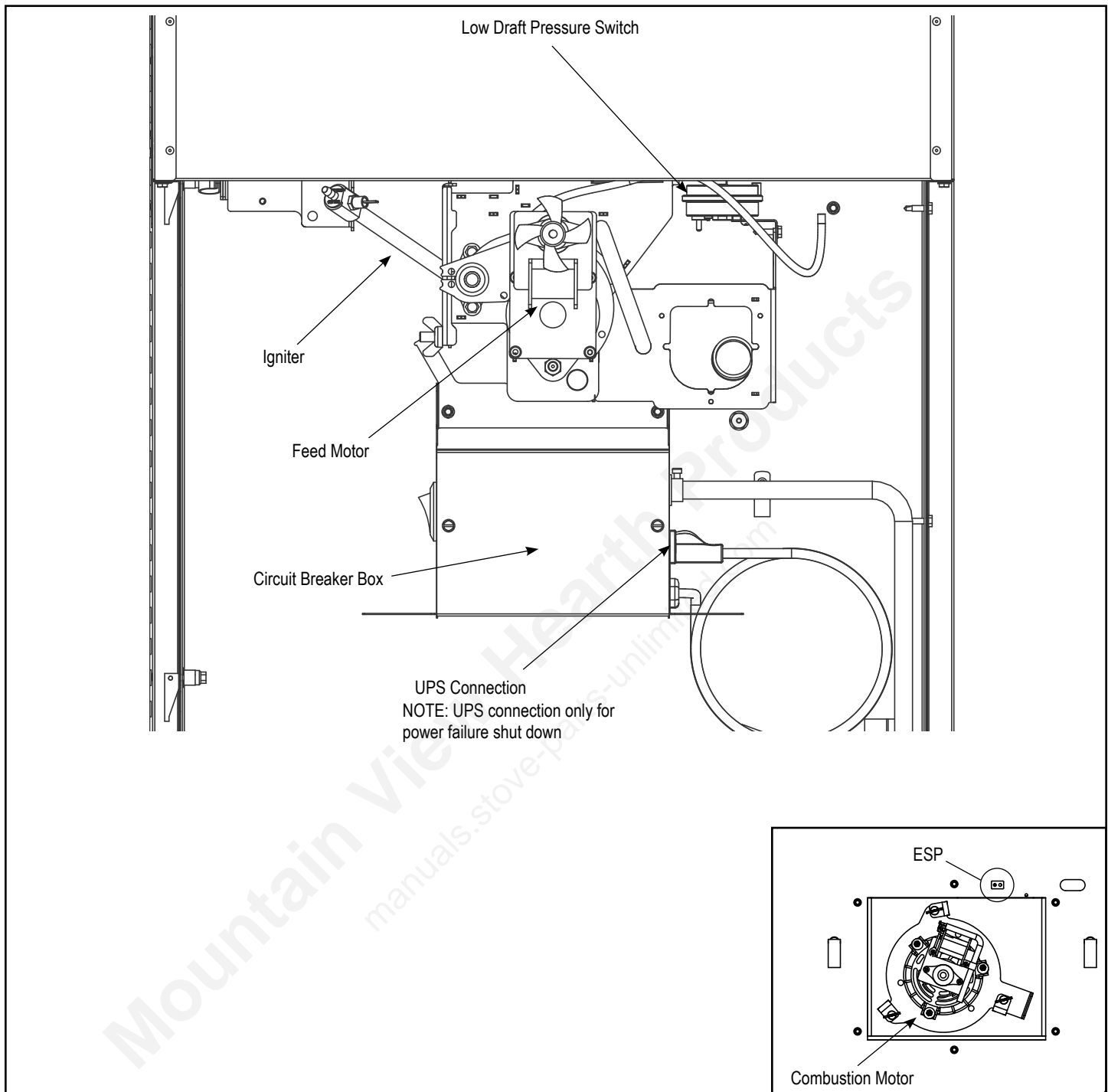
USE OF IMPROPER FUELS, FIRE STARTERS OR ALTERING THE FURNACE FOR HIGHER HEAT OUTPUT MAY CAUSE DAMAGE TO THE FURNACE AND COULD RESULT IN A HOUSE FIRE. USE ONLY APPROVED FUELS AND OPERATION GUIDELINES



CAUTION

INSPECT FLUE PIPES, FLUE PIPE JOINTS, AND FLUE PIPE SEALS REGULARLY TO ENSURE THAT SMOKE AND FLUE GASES ARE NOT DRAWN INTO, AND CIRCULATED BY, THE AIR-CIRCULATION SYSTEM.

B. Motor and Component Location



PF-120 Pellet Furnace Safety Devices

The **Control Board/ESP** combination is responsible for all high limit safety control. There are 2 high limits, one normal operation high limit and one backup high limit. The control has an automatic diagnostic circuit that continuously monitors the ESP and Room Sensor for faults. If a fault should occur, the control sends a status alert and at the same time the unit goes down to minimum feed/minimum burn as a safety condition.

The **Low Draft Pressure Switch** is a differential pressure switch that monitors the negative pressure (Draft) in the firebox. If the draft becomes too low for proper combustion, the switch opens, cutting power to the feed motor and the igniter circuits. This switch is connected into the AC (high voltage) wiring.

C. Loss of Power Addendum

Minimizing Smoke During Loss of Power Using Battery Back-up

Harman® strongly recommends installing battery back-up to minimize entry of smoke into the room in the event of power loss.

Your pellet/biomass burning appliance relies on a combustion blower to remove exhaust. A power failure will cause the combustion blower to stop. This may lead to exhaust seeping into the room. Vertical rise in the venting may provide natural draft. It is, however, no guarantee against leakage.

There are two Harman® approved battery back-up options for your appliance:

Uninterruptible Power Supply (UPS) UPS battery back-ups are available online or at computer and office equipment stores:

- The APC (American Power Conversion) model #BX1500G and the TrippLite OMNIVS1500 are tested and approved. Other brands or models may not be compatible.

When power is lost, a fully charged UPS will power a safe, combustion blower only shut-down. Your appliance will pulse the blower every few seconds to clear exhaust until the fire is out. **NOTE: The UPS provides safe shut-down only. It is not intended for continued operation.**

Your appliance will recognize when power is restored. What happens depends on ESP temperature:

- In **“Automatic” setting**, units will respond to the set point and ESP temperature and resume normal operation.
- In **“Manual” setting**:
 - If the ESP is cool, the appliance will remain shut down.
 - If the fire is out and the ESP is still warm, the feeder may restart. Since the fire is out, the ESP temperature will not rise. The unit will then shut-down, and may flash a six-blink status error. (See ESP error codes)
 - If the fire is still burning, it will resume normal operation.

Contact your dealer if you have questions about UPS compatibility with your appliance.

CAUTION! Always keep appliance doors and hopper lid closed and latched during operation and during power failures to minimize risk of smoke or burn-back.

CAUTION! Use only Harman® approved battery back-up devices. Other products may not operate properly, can create unsafe conditions or damage your appliance.

D. Service Parts

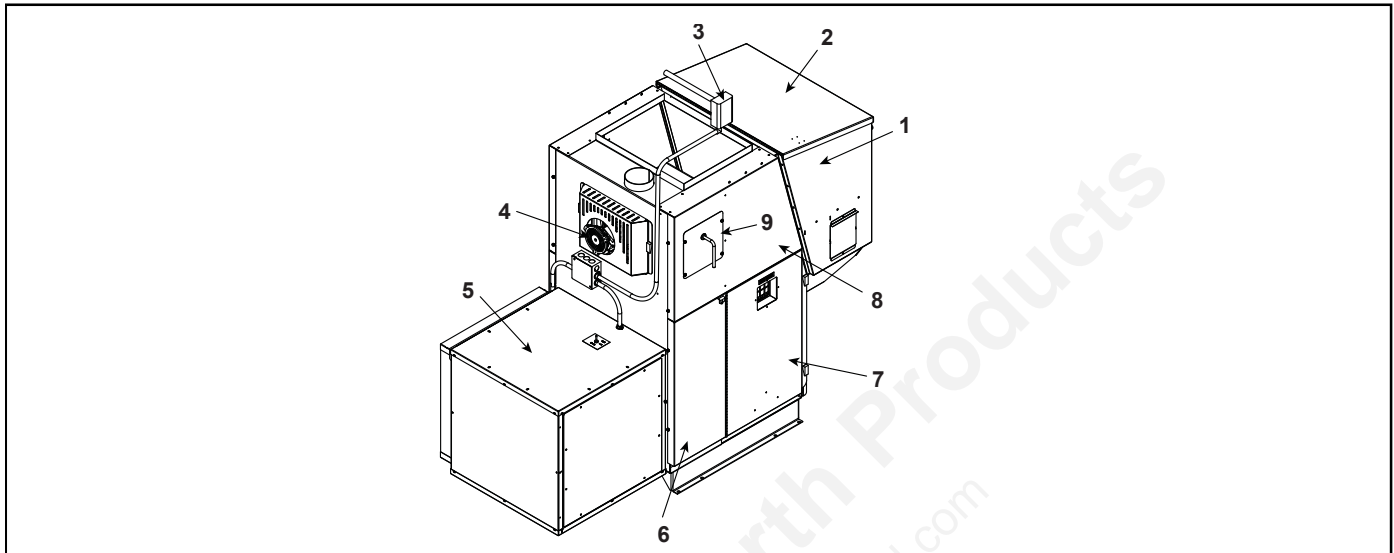


Service Parts

PF120

Pellet Furnace

Beginning Manufacturing Date: Jan 2014
Ending Manufacturing Date: Active



IMPORTANT: THIS IS DATED INFORMATION. Parts must be ordered from a dealer or distributor. **Hearth and Home Technologies does not sell directly to consumers.** Provide model number and serial number when requesting service parts from your dealer or distributor.



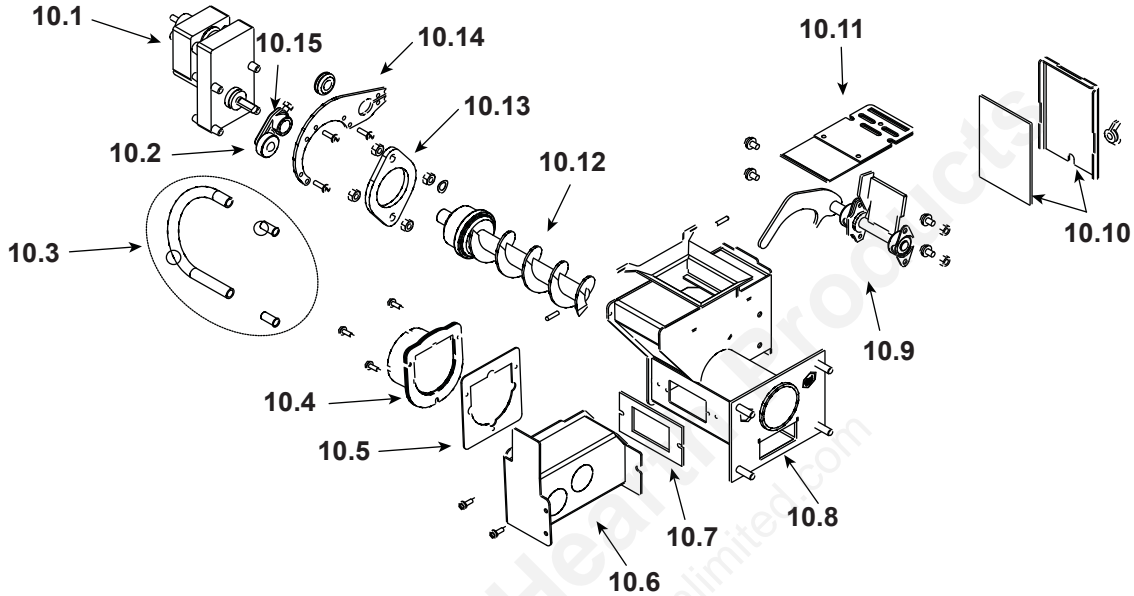
Stocked at Depot

ITEM	Description	COMMENTS	PART NUMBER	
1	Hopper Assembly		1-10-73807A	
2	Hopper Lid Assembly		1-10-73491A	
	Spring Catch	Set of 2	1-00-00927	Y
	Hopper Lid Catch		2-00-72166B	
	Hinge, Hopper Lid		3-31-73325	
	Gasket, Hopper Lid	10 Ft	1-00-00248	Y
	Gasket, Hopper Throat		3-44-677185	Y
3	Fan Control / High limit		3-20-23139	Y
4	Combustion Blower		3-21-08639	Y
	Mounting Plate		1-10-73416	
	Grommets & Spacers	Pkg of 25	1-00-960026	
	Fan Blade, 4 3/4" Single Paddle (Combustion Blower)		3-21-00661	Y
	Comb Blower Mounting Screws	Pkg of 100	1-00-53483208	
	Comb Blower Heat Shield		2-00-73339	
5	Filter box kit		1-00-73421A	
6	Bottom Cover	Front	2-00-73338-15S	
		Rear	2-00-73340-15S	
7	Ash Door		1-10-73814-15A	
8	Top Cover	Front	2-00-73411-15S	
		Rear	2-00-73412-15S	
9	Shaker Cover		2-00-73335-15S	
	Shaker Weldment		1-10-73354	
	Shaker Chains	Set of 8	1-00-003027	
	Gasket, Chain shaker	Pkg of 2	3-44-08100-2	Y

Additional service parts on following page.

12/13

#10 Feeder Assembly



IMPORTANT: THIS IS DATED INFORMATION. Parts must be ordered from a dealer or distributor. **Hearth and Home Technologies does not sell directly to consumers.** Provide model number and serial number when requesting service parts from your dealer or distributor.



**Stocked
at Depot**

ITEM	Description	COMMENTS	PART NUMBER	
10.1	Pellet Feeder Gear Motor, 10 RPM		3-20-02524	Y
10.2	UL Feeder Cam		3-31-3014	Y
10.3	Feeder Air Crossover Kit		1-00-67900	Y
	9MM Silicone Tube	5 Ft	1-00-511427	Y
10.4	Pellet Air Intake Assembly		1-10-06810A	
10.5	Gasket Feeder Air Intake	Pkg of 6	3-44-72224-6	Y
10.6	UL Feeder Air Intake		1-10-73811W	
10.7	Gasket Ultra Air Intake	Pkg of 10	3-44-677160-10	Y
10.8	Ultra Feeder Weldment		1-10-73504	
10.9	UL Feeder Pusher Arm		1-10-677187W	Y
	Pillow Block	Pkg of 4	3-31-3614087-4	Y
10.10	Gasket, UL Feeder Cover		1-00-677122	Y
10.11	Slide Plate Assembly		1-10-677121A	Y
10.12	UL Feeder Auger Assembly		3-50-00565	Y
10.13	Bearing Flange w/Hardware		1-00-04035	Y
10.14	UL Feeder Gear Motor Bracket w/Grommet		1-00-247406	Y
10.15	UL Feeder Cam Block		3-00-677154	Y

Additional service parts on following page.

IMPORTANT: THIS IS DATED INFORMATION. Parts must be ordered from a dealer or distributor. **Hearth and Home Technologies does not sell directly to consumers.** Provide model number and serial number when requesting service parts from your dealer or distributor.



**Stocked
at Depot**

ITEM	Description	COMMENTS	PART NUMBER	
	AC double Pole Relay		3-20-38056	
	Air Filters	Pkg of 12	3-40-20201-12	
	Arrow Burn Pot Scraper	Pkg of 10	2-00-773850-10	
	Ash Door Ash Slide		2-00-73371B	
	Ash Pan		1-10-73351	Y
	Blower Air Jacket		2-00-73334B	
	Blower Box, Access Side		2-00-73423B	
	Blower Box, Cover		2-00-73429B	
	Blower Box, Top or Bottom		2-00-73424B	
	Brick Ledge		1-10-73822W	
	Fire Brick 12 x 6 x 1.25"	Qty 2 req	3-40-86125	Y
	Burn Pot Assembly w/Gasket		1-10-73695A	Y
	Clean Out Cover	2 Sets	1-00-06623	Y
	Thumb Screw	Pkg of 10	3-31-782108-10	Y
	Flame Guide		3-00-08534	Y
	Flame guide insulator		3-44-35263	Y
	Gasket, Burn Pot	Pkg of 5	1-00-07381	Y
	Silicone Gasket		3-44-73954	Y
	Cable 2 Pair twisted cat 3 (50' for wall control)		3-20-02583	
	Circuit Board w/Knobs & Shafts		1-00-05888	Y
	Circuit Plate, studded w/label		1-10-09412A	
	Control Knob/ Shaft	25 Sets	1-00-015605	Y
	Fuse, 6 AMP	Pkg of 5	3-20-49447-5	Y
	Circuit breaker 10 Amp (orange - on/off switch)		3-20-334110	Y
	Circuit breaker harness - to control board		3-20-73560	
	Conduit, 3/8" Flexible	7 Ft	1-00-25043	Y
	Control Cover, Painted		2-00-73362B	
	Diagnostic Display Module		3-20-05401	Y
	DDM Replacement Cable		1-00-05402	
	Differential Pressure Switch		3-20-6866	Y
	Disconnects, Male	Pkg of 25	1-00-00957	Y
	Disconnects, Female	Pkg of 25	1-00-00959	Y
	Distribution Blower		3-21-19599	
	Distribution Blower mounting bracket	Qty 2 req	2-00-73430B	
	Draft Meter Assembly		1-00-00637	Y
	Draft Meter Bolt & Tube		1-00-04004	
	ESP (Exhaust Sensing Probe)	Red wires	3-20-00844	Y

Additional service parts on following page.

Mountain View Hearth Products
manuals.stove-parts-unlimited.com

F. Quick Reference Guide

Quick Reference Guide (Auto-Light)

1. Turn Mode Selector to OFF.
2. Use shaker handle to clean the heat exchanger tubes.**
3. Scrape the air holes in the burnpot.**
4. Fill the hopper with pellets.
5. Turn Feed Adjuster to "Test".*
6. Check the Combustion Blower and Feeder Motor for operation.*
7. Turn Feed Adjuster back to the #4 setting.
8. Turn the Temp Dial to the desired temperature.
9. Turn all other Furnace Control knobs to the settings shown.*
10. Flip the Auto-Light switch up.*

The furnace will ignite if the temperature in the room is less than the temperature set on the Wall Control.

* See the section on **Operation** for information about **Manual Lighting**.

** See the section on **Maintenance** for more details about **cleaning**.

