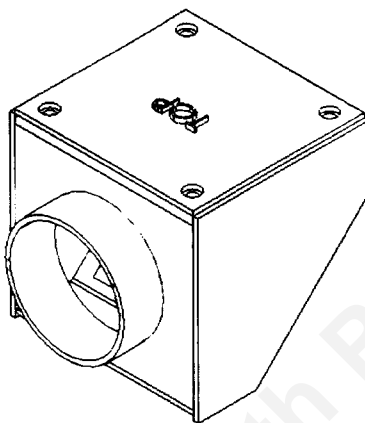


APR Industries Ltd.  
1354 Waverley st.  
Winnipeg, Manitoba, R3T 0P5  
Canada

## CV100 KOZI Pellet Stove Check Valve



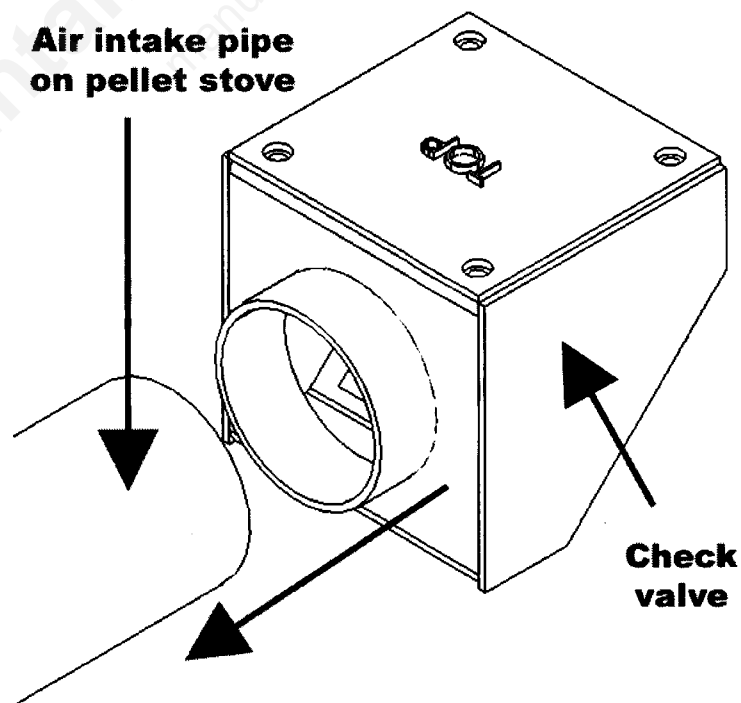
THIS KIT SHOULD CONTAIN



1 Check Valve

### INSTALLATION INSTRUCTIONS:

1. Position the check valve as shown in Figure 1 and slip onto the air intake pipe located at the back of the pellet stove.



Printed in Canada  
Revised Dec 2005