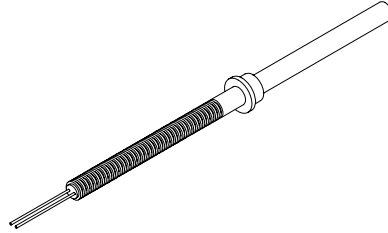


**THIS KIT SHOULD CONTAIN:**



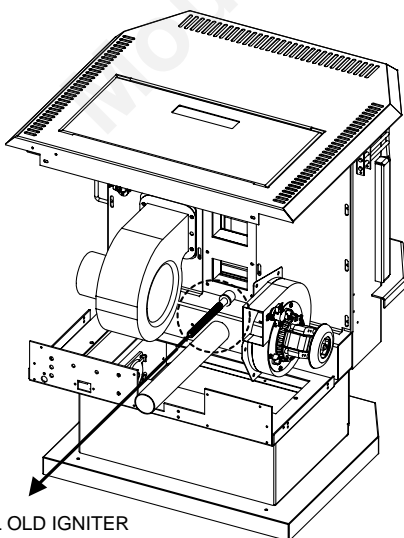
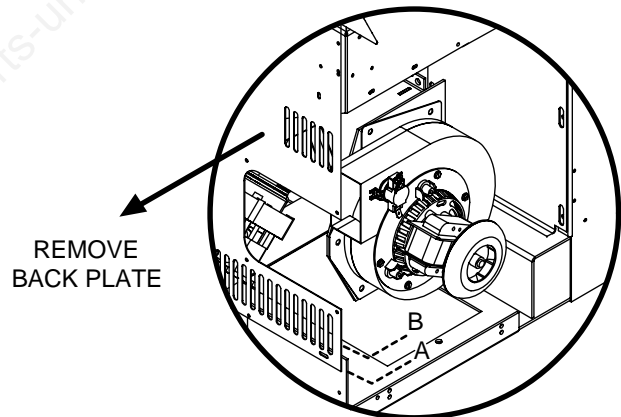
1 - Igniter Cartridge (EC2-HA-120)

**INSTALLATION INSTRUCTIONS:**

NOTE: Please make sure that the stove is cold and unplugged before proceeding.

**Removal of Old Igniter System**

1. Remove the back plate of the stove and disconnect the igniter wires from the wiring harness. As shown in the diagram provided, one of the igniter wires will be attached to a white wire (A) on the wiring harness. The other igniter wire will be attached to a red wire on the wiring harness (B).

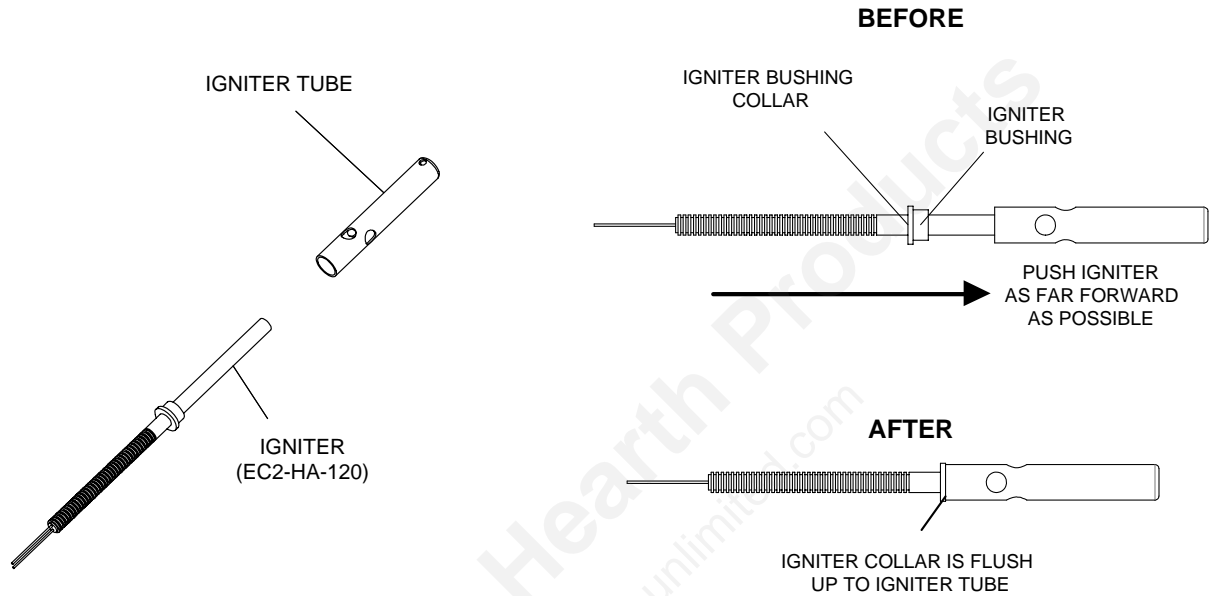


2. As shown in the picture provided, pull the old igniter out from the back of the stove. If the igniter is stuck, use a pair of pliers or vice grips to help remove the igniter.

PULL OLD IGNITER  
OUT FROM REAR  
OF STOVE

## Installation of New Igniter System

1. Place the new igniter into the igniter tube and ensure that the collar on the igniter bushing is flush with the igniter tube (as shown in the diagram).



2. Re-connect the new igniter wires to the white wire on the wiring harness (A) and to the red wire on the wiring harness (B) as shown below. Once the wires are re-connected, put the back plate on the rear of the stove and plug it in. You are now ready to start your stove.

