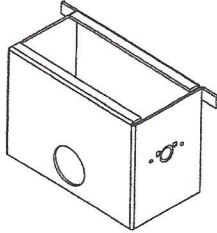
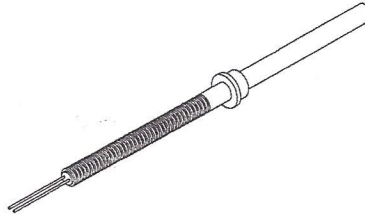




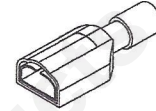
**THIS KIT SHOULD CONTAIN:**



1 - Burn Pot Stand



1 - Igniter Cartridge



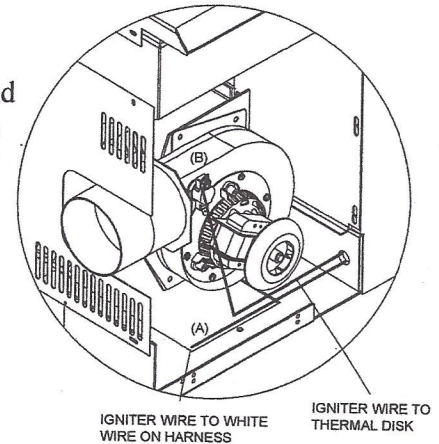
2 - Female Terminal Ends

**INSTALLATION INSTRUCTIONS:**

NOTE: Please make sure that the stove is cold and unplugged before proceeding.

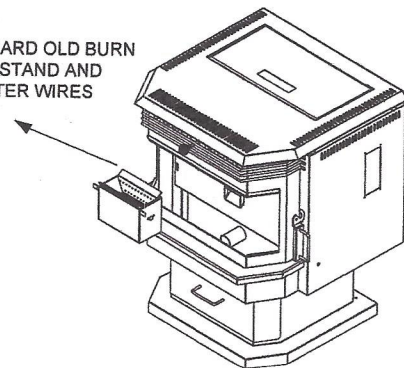
**Removal of Old Igniter System**

1. Disconnect the old igniter from the wiring harness and exhaust fan thermal disk. As shown in the diagram below, one of the igniter wires will be attached to a white wire (A) on the wiring harness. The other igniter wire will be attached to a prong on the exhaust fan thermal disk (B).



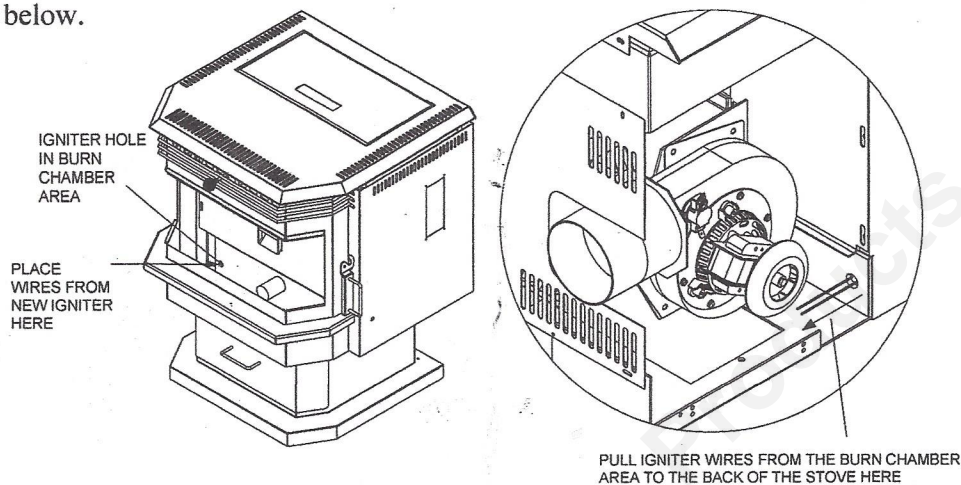
2. Using a pair of scissors or pliers cut the female connectors off of the old igniter at the back of the stove.
3. From the inside of the burn chamber area, pull the burn pot stand and igniter wires out as shown.

DISCARD OLD BURN  
POT STAND AND  
IGNITER WIRES

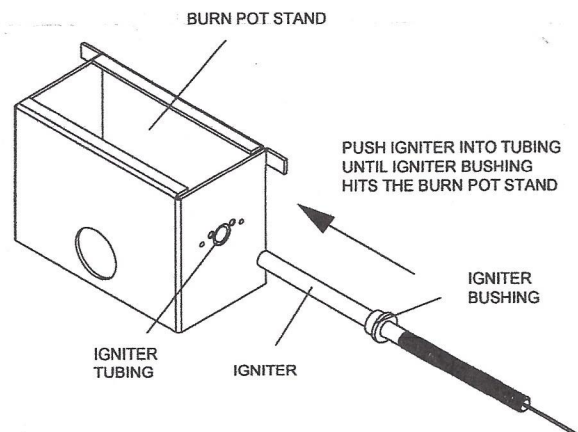


## Installation of New Igniter System

- Place the wires from the new igniter through the burn chamber and air intake box as shown below.



- Place the new terminal ends on the new igniter. Crimp the terminal ends to the igniter wires with a pair of pliers.
- Re-attach the new igniter wires to the white wire on the wiring harness and onto the exhaust fan thermal disk as shown in Step 1.
- Replace new burn pot stand.
- Slip the new igniter into the new burn pot stand.
- Replace burn pot.
- Plug the stove back into an outlet.



## Starting Your Stove

Before turning on the pellet stove, make sure that you have the feed control in the OFF position. Open the damper to approximately 5/8"-3/4". Place a handful of pellets in the burn pot and press the START button. It will take anywhere from 5-8 minutes to see a flame. Once you have a steady flame turn the feed control to the setting you desire. If necessary, you may need to re-adjust the damper setting.