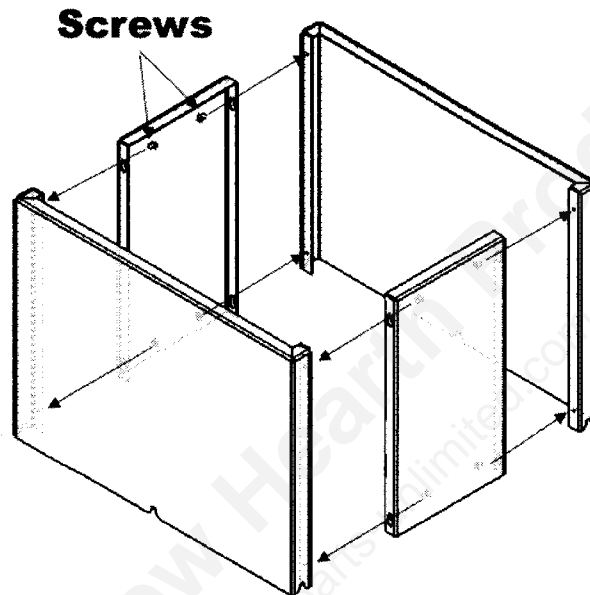


Hopper Extension for a XL 100 and Baywin Pellet Stove

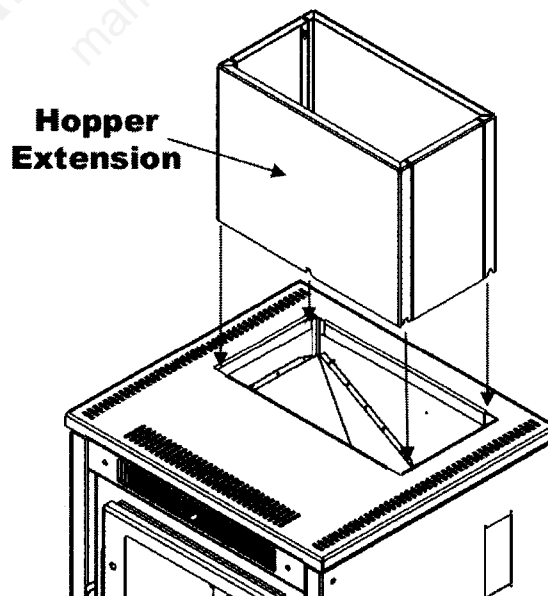


Instructions:

1. Assemble the hopper extension as shown in the diagram provided below.



2. Remove the hopper lid from your **KOZI** pellet stove by removing the 3 screws. Once the lid is removed, put the screws back into place and make sure they stick out about 1/4". Discard the old hopper lid.
3. Place the hopper extension on the pellet stove as shown in the diagram below.



4. Place the new hopper lid on the hopper extension.