



HEARTH PRODUCTS

HEARTH PRODUCTS  
KITS AND ACCESSORIES

P/N 506033-09  
REV. NC 07/2008

MONTAGE 32FS HANDLE UPGRADE KIT  
CAT. NO. H7355

**INSTALLATION INSTRUCTIONS FOR HANDLE UPGRADE KITS  
FOR USE WITH MODEL MONTAGE™ 32FS PELLET STOVE  
WITH SERIAL NUMBERS 1001 THROUGH 1073**

**ELITE™ SERIES**

**KIT CONTENTS**

- 1 ea. Handle
- 1 ea. Metal Handle Arm
- 2 ea. Screws
- 2 ea. Locking Nuts
- 1 ea. Instruction Sheet

**TOOLS REQUIRED**

- 5/32" allen wrench
- 7/16" wrench

**GENERAL INFORMATION**

The purpose of this kit is to provide a modified handle with improved strength, by moving its leverage point. This only affects models within the serial number range listed above.

If you encounter any problems, need clarification of these instructions or are not qualified to properly install this kit, contact your local distributor or dealer.

Read this instruction sheet in its entirety before beginning the installation.

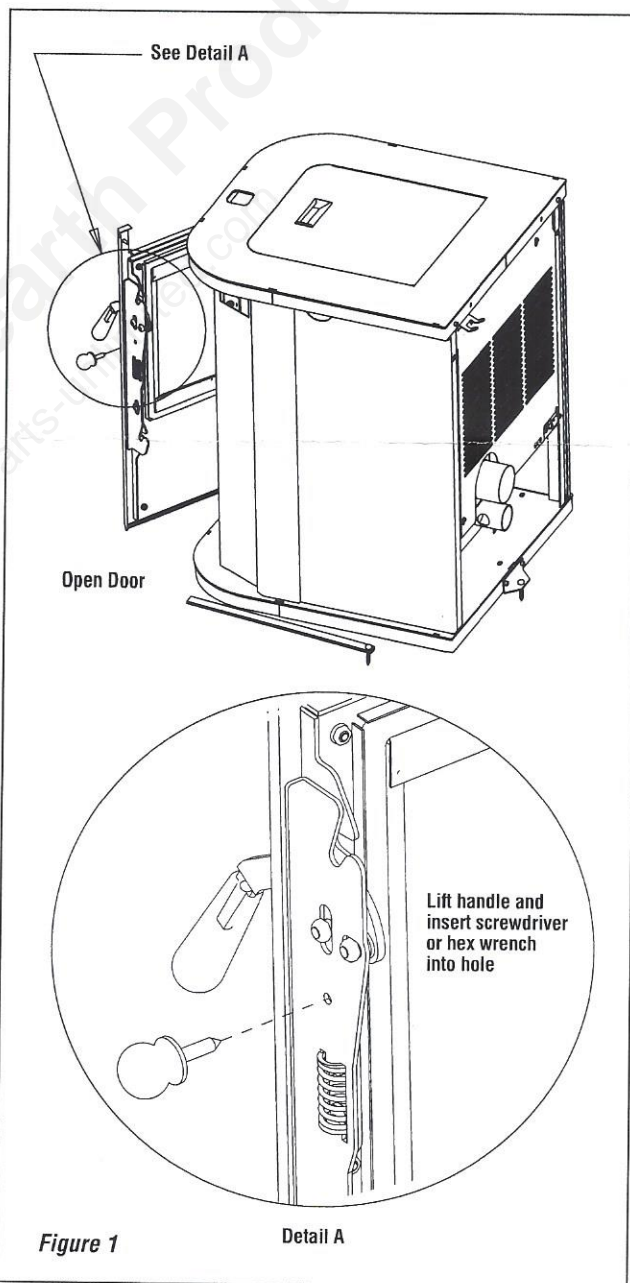
**ALL WARNINGS AND PRECAUTIONS IN THE INSTALLATION AND OPERATION MANUAL PROVIDED WITH THE APPLIANCE APPLY TO THESE INSTRUCTIONS.**

**INSTALLATION INSTRUCTIONS**

**Step 1. TURN OFF THE STOVE AND ALLOW IT TO COMPLETELY COOL BEFORE PROCEEDING.**

**Step 2.** Open front door (see *Figure 1*).

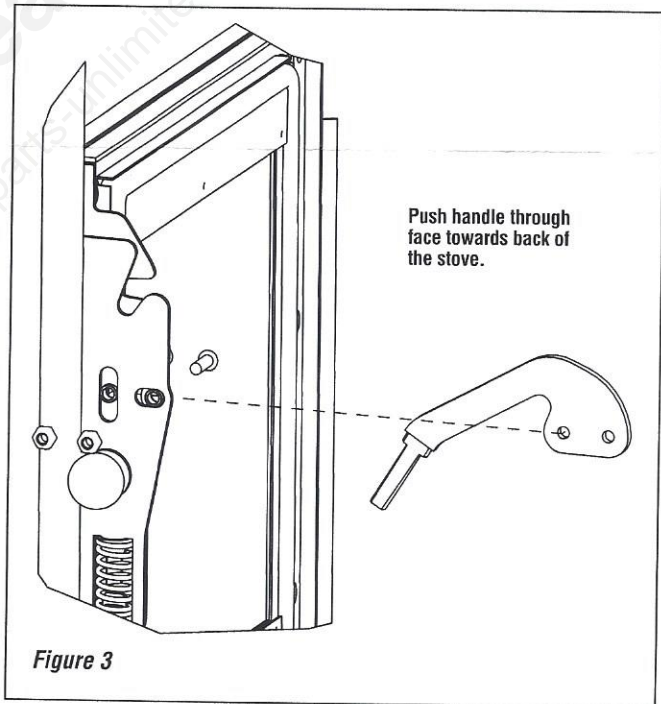
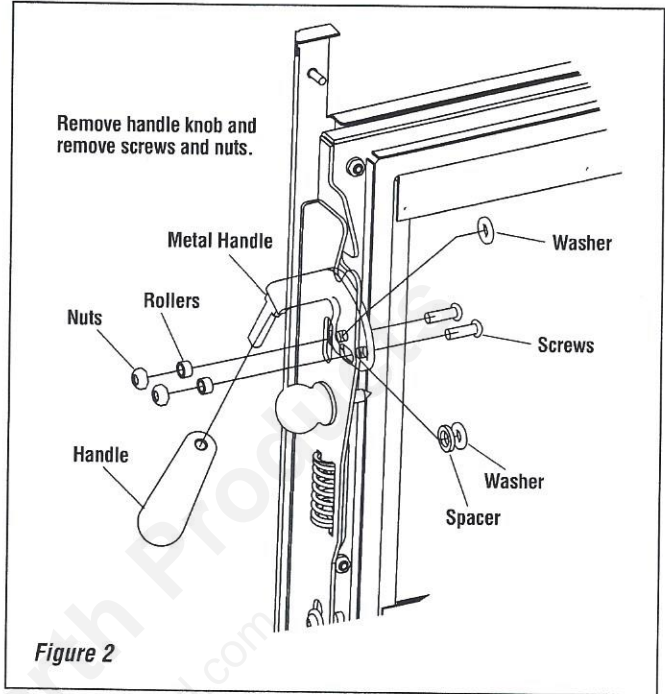
**Step 3.** Lift up on door handle until the hole in the latch plate lines up with the hole in the door frame (see *Figure 1, Detail A*). Insert a screwdriver through the holes to hold latching mechanism in place while replacing the handle assembly (see *Figure 2*).



NOTE: DIAGRAMS & ILLUSTRATIONS ARE NOT TO SCALE.

Mountain View Hearth Products  
manuals.stove-parts-unlimited.com

- Step 4.** Remove black plastic handle and washer from metal handle arm and discard (see *Figures 2 and 3*).
- Step 5.** Using a 5/32" allen wrench and a 7/16" wrench remove the two screws and nuts holding the handle arm to the latching mechanism. Note the order and placement of the two rollers, two washers, and one spacer before completely removing the screws (see *Figure 2*).
- Step 6.** Remove handle arm from the inside of the door (see *Figure 3*). Retain rollers, washers, and spacer to be used with the new screws and nuts provided.
- Step 7.** Reassemble stove with new handle arm and plastic handle in reverse order of the steps above being sure to use the new fasteners provided. Tighten nuts only enough to limit excessive side to side movement in the handle assembly
- Step 8** Test latching mechanism for smooth operation. If needed, adjust tension on nuts to improve latch movement.



NOTE: DIAGRAMS & ILLUSTRATIONS ARE NOT TO SCALE.

Lennox Hearth Products reserves the right to make changes at any time, without notice, in design, materials, specifications, prices and the discontinuance of colors, styles and products. Consult your local distributor for fireplace code information.

Printed in U.S.A. © 2008 Lennox Hearth Products

2 P/N 506033-09 Rev. NC 07/2008

**LENNOX**<sup>TM</sup>

**HEARTH PRODUCTS**

1110 West Taft Avenue • Orange, CA 92865

Mountain View Hearth Products  
manuals.stove-parts-unlimited.com