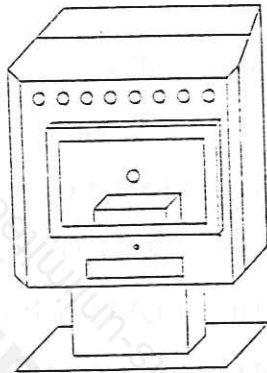


# C O U N T R Y   S I D E

## CORN/PELLET STOVE AND FIREPLACE INSERT

### OWNER'S MANUAL

Installation - Operation - Maintenance Instructions



PLEASE READ THIS ENTIRE MANUAL BEFORE INSTALLATION AND USE OF THIS CORN/PELLET BURNING HEATER. FAILURE TO FOLLOW THESE INSTRUCTIONS MAY RESULT IN PROPERTY DAMAGE, BODILY INJURY OR EVEN DEATH.

- \* When installing your Country Side Corn/Pellet unit, particular attention needs to be made in regards to Fire Protection. If the unit is not properly installed, a house fire may result. For your safety, follow the installation and operations instructions provided, and if a question arises contact local building or fire officials about restrictions and installation requirements in your area.
- \* **READ THE OPERATIONS SECTION OF THIS MANUEL BEFORE PLUGGING IN YOUR UNIT.**
- \* Always unplug the unit before attempting any service work.
- \* Do not connect the unit to a chimney flue already serving another appliance.
- \* When installing the chimney pipe to the unit, it is important to remember that the unit operates on a negative pressure and the chimney on a positive pressure. All chimney connections, elbows, and fittings must be airtight.
- \* Ashes must be disposed of in a metal container with a tight fitting lid.
- \* All minimum clearances to combustables must be followed.
- \* The Country Side Corn/Pellet Stove is tested for operation with 15% or less moisture Corn or with Wood Pellets with an ash content of no more than 3%. It is recommended that Wood Pellets with an ash content of 1% or less be used for efficient operation of this unit.

AMERICAN ENERGY SYSTEMS Inc. GRANTS NO WARRANTY, IMPLIED OR STATED, FOR THE INSTALLATION OR MAINTENANCE OF THE STOVE AND ASSUMES NO RESPONSIBILITY FOR ANY CONSEQUENTIAL DAMAGE(S).

50 ACADEMY LANE

AMERICAN ENERGY SYSTEMS Inc.

HUTCHINSON, MN 55350

Save These Instructions

# TABLE OF CONTENTS

---

STOVE CONTROLS	I
INTRODUCTION & UNPACKING YOUR COUNTRYSIDE STOVE	1
SAFETY STEPS AND BURNING SOLID FUELS	2
FUELS - CORN - WOOD PELLETS	3
INSTALLATION REQUIREMENTS	4
GUIDELINES FOR EXHAUST SYSTEMS DESIGN	5 - 6
INSTALLATION CONFIGURATIONS	6
MOBILE HOME INSTALLATION REQUIREMENTS	6
VENTING SYSTEMS	7
ALTITUDE GUIDELINES FOR EXHAUST VENTING DESIGN	8
DESIGN GUIDELINES FOR OUTSIDE COMBUSTION AIR	8
FREESTANDING STOVE INSTALLATION CONFIGURATIONS	9 - 12
FIREPLACE INSERT INSTALLATION CONFIGURATION	13 - 14
GLASS MAINTENANCE	15
LIGHTING INSTRUCTIONS	16
CIRCUIT BOARD FUNCTIONS	17
SETTING THE DRAFT	18
MAINTENANCE INSTRUCTIONS	19 - 20
AUTOMATIC SAFETY FEATURES	21
HOPPER AUGER SAFETY SWITCH LOCATION	22
THERMOSTAT INSTALLATION	23
TROUBLE SHOOTING GUIDE	24-26
COUNTRYSIDE STOVE WIRING DIAGRAM	27
SETTING THE CIRCUIT BOARD	28
LIMITED FIVE YEAR WARRANTY	29
SERVICE RECORD	30
WARRANTY REGISTRATION CARD	

# CLEAN BURN CORN ADDITIVE

AMERICAN ENERGY SYSTEMS INC. , WITH THE COOPERATION OF MINNESOTA TECHNOLOGY, HAS DEVELOPED AN ADDITIVE THAT WHEN MIXED WITH CORN VIRTUALLY ELIMINATES THE (CLINKERING) THAT IS CAUSED BY THE UNBURNED SUGARS IN THE CORN KERNEL.

This CORN additive is free from any toxins that would harm both the environment and your personal health.

## HOW TO GET AHOLD OF THE CLEAN BURN CORN ADDITIVE !!!!

If your local dealer does not yet have a supply of CLEAN BURN you can contact American Energy Systems at 1-800-495-3196 and we will direct you to the closest source.

## HOW DO YOU MIX THE CLEAN BURN CORN ADDITIVE??????

Depending on how much sugar or protein content that you have in your corn supply you will have to change the percentage of mixture. The normal mixture is a ratio of one (1) part CLEAN BURN to 150 parts of corn. This translates to approximately 1/2 pound of CLEAN BURN for every hopper of corn. ( app. 2 handfulls )

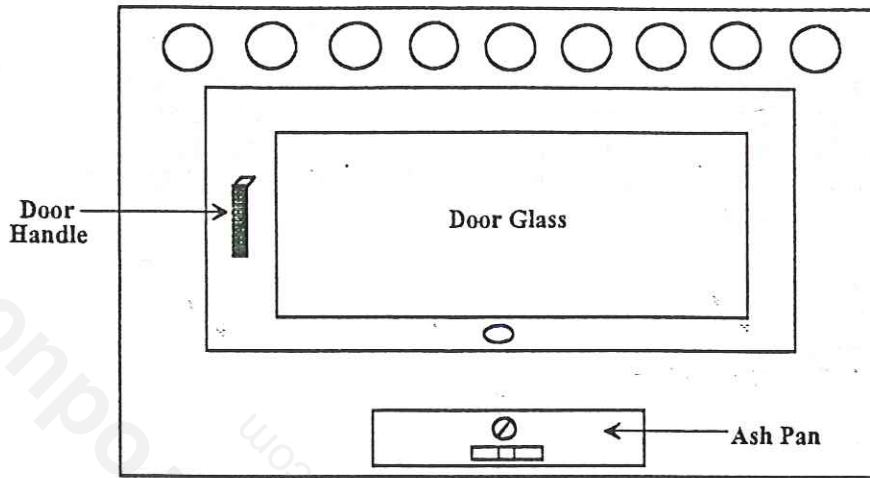
To mix the CLEAN BURN simply add the additive to the corn and mix in by hand. If you have corn with a low sugar content you may be able to decrease the mixture, and corn with a high sugar content will require more. The easiest way to tell if the mixture is right is, after a day of burning, look at the Fuel Stirrer in the Firepot and if there is any buildup of clinker on the fingers you need to increase the mixture. If there is excessive white powder in the firepot you can decrease the mixture.

Using the CLEAN BURN additive will reduce maintenance, ash content, buildup in the firepot and will increase the heat output. The additional heat output will more than pay for the cost of the additive.

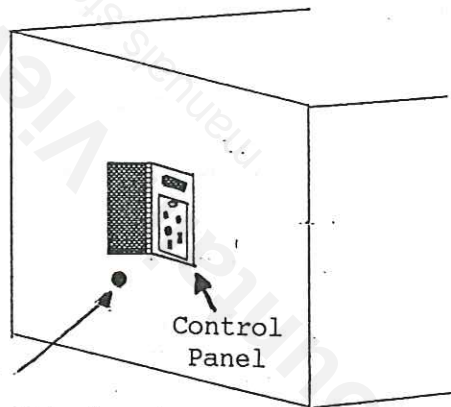
**GIVE CLEAN BURN A TRY. YOU WILL BE PLEASANTLY SURPRISED.**

Mountain View Hearth Products  
manuals.stove-parts-unlimited.com

## STOVE CONTROLS



Front View of Stove



Manual Draft Adjustment  
Control Knob

Left Side of Stove

DEAR VALUED COUNTRY SIDE OWNER:

We appreciate your decision to help preserve our precious environment by purchasing the Country Side Corn/Pellet fueled heating appliance. With everyone working together we can have clean air and renewable heat for our homes.

Please read this owners manual carefully before using this appliance and if you have any questions contact your local Country Side dealer. We appreciate your business and wish you many warm days and nights with your new Country Side Corn/Pellet Stove.

Sincerely,



Mike Haefner, Owner  
American Energy Systems Inc.

P.S. If you want to earn bonus money, here is your opportunity. For every person that you tell about the Country Side Corn/Pellet appliance, and if they purchase a unit, you will receive a \$25.00 bonus check.

\*\*\*\*\*

#### Unpacking your Country Side Corn/Pellet Stove:

When you receive your Country Side Corn/Pellet Stove or Fireplace Insert be careful to inspect all parts and componets to make sure that nothing was damaged or lost in shipment. If there was shipping damage be sure to report it to your Country Side Dealer, or the shipping company that delivered your unit. Freight damage claims must be made to the freight company immediately. If parts are missing contact your local Country Side dealer or contact the factory right away. Your satisfaction is a top priority.

#### To Uncrate your Country Side Corn/Pellet Stove:

1. Cut the banding straps and open the carton lid. Remove the crating box by carefully lifting up over the top of the unit. (We strongly urge you to recycle the packaging materials to help protect your environment)
2. There are (2) two bolts holding the unit down onto the shipping pallet. A 9/16" wrench or socket is required to loosen the bolts. (Turn counterclockwise) You can locate the bolts by reaching through the wooden pallet from either end. (Do not burn your Country Side Corn/Pellet Stove while it is attached to the wooden shipping pallet) Dispose of the shipping pallet along with the carton.
3. Save the (2) two bolts. They need to be used to bolt the unit to the pedestal.

## SAFETY STEPS

**IMPORTANT:** Proper installation of this stove is crucial for proper and safe operation of the stove. Installing this product improperly may result in a house fire and personal injury. All applicable building codes for your location must be followed. In areas where building codes require additional steps to the installation of this product not included in this manual, the building codes will take precedent and must be followed. Contact your local building inspector to obtain any necessary permits or inspection guidelines before installing this product.

- **DISCONNECT THE POWER CORD BEFORE SERVICING THIS STOVE!** A power surge protector is mandatory. Unit must be plugged into a grounded 115 volt power source.
- Always route the power cord away from unit. Do not route cord in foot traffic areas. Do not pinch cord under furniture.
- This product requires simple periodic maintenance for proper operation and long life of the stove. Read and follow the maintenance schedule closely.
- The **Country Side** stove is designed to burn corn or pelletized fuel such as wood pellets. The burning of other solid fuels in this stove is not permitted.
- A working smoke detector must be installed in the same room as this product.
- Flammable or explosive liquids such as gasoline, naphta, or engine oil, must **NEVER** be used in or around this stove. These liquids must be stored well away from this stove as the open flame in the burn chamber could ignite the fumes of such liquids. Do not burn garbage in this unit.
- According to H.U.D. requirements, when installed in a mobile home, this stove must be grounded directly to the steel chassis of the mobile home and bolted to the floor.
- **NOTE:** This stove is not intended for use in commercial installations.
- The moving parts of this stove are propelled by high torque electric motors. The auger and agitator can cause severe injury to body parts that may get near them. Keep all body parts away from the auger and agitator while the stove is plugged into an electrical outlet. These moving parts may begin moving at any time while the stove is plugged in.

## BURNING SOLID FUELS

Unlike petroleum and natural gas products, solid fuels such as corn and wood create ash as the fuel is burned. Even with the highly efficient flame your **Country Side** stove will produce, the solid fuels used will produce ash. This ash will have to be cleaned out of the stove from time to time. The cleaning procedure will be discussed later. You can minimize the amount of cleaning required and maximize the efficiency of your stove by maintaining the correct draft content, the draft setting on your stove may have to be changed from time to time to accommodate your specific burning conditions. Proper draft setting will be discussed later. The point we wish to make here is that your **Country Side** stove, due to the nature of solid fuels, will require brief periodic attention. Please do not expect to light your stove and walk away from it until you want to shut it off in the spring. A few moments of adjustment and cleaning from time to time are an integral part of burning solid fuels.

Store your corn supply in a dry place and keep the bags or container sealed to prevent your corn from absorbing excess moisture.

## FUELS

The Country Side stove has been designed to burn corn or wood pellets that meet the Association of Pellet Fuel Industries standards. Since both of these fuels vary greatly in quality and consistency, A.E.S. cannot be held responsible for damage done to your stove due to fuel problems. The following are guidelines to using and selecting proper fuels for your stove.

### CORN

- DO NOT BURN SEED CORN IN YOUR STOVE. Seed corn is treated with chemical pesticides that are harmful or fatal if swallowed, therefore, seed corn is dangerous to have in the house, especially where children can reach it.
- Corn must be 14% or less moisture content. Wet corn will cause rapid plugging and deterioration of the stove and exhaust system and will void the warranty.
- Corn must be cleaned and free from debris. Corn right from the field will often have stalk and cob debris which can plug the auger and/or cause damage to the auger and motor. Damage caused by dirty corn is not covered by the product warranty. Ask for clean corn when you purchase it from your local corn supplier. Clean corn can be purchased in bulk or bagged from most elevators, feed stores, or even local farmers.
- There are many varieties of corn grown around the world. Each variety has unique characteristics including the shape and size of the kernels. Your stove will burn more consistently with a small to mid size kernel corn. If the kernel size of the corn you burn varies greatly or if you switch sources frequently, you will get a less consistent burn which will require more attention to the draft setting on your stove. Therefore, purchasing corn from the same source will help achieve a more consistent burn. **DO NOT USE CORN WITH A HIGH WAX CONTENT!**

### WOOD PELLETS

- As with corn, be consistent in your pellet supplier. Pellets will vary in content and burn characteristics from supplier to supplier. A consistent supply of pellets will require less adjustments to the draft of the stove.
- Check your pellets for foreign objects. Your stove warranty will not cover damage done to your stove due to foreign objects in the fuel supply.
- Store your pellets in a dry place to prevent them from absorbing excess moisture.
- Wood pellets vary from supplier to supplier in ash content from less than 1% to 3% or more. Low ash content pellets will allow you to burn the stove longer between cleanings. Only wood pellets manufactured to the A.P.F.I.\* standard for residential pellet fuels are recommended. Look for the A.P.F.I registration number on the bag of pellets. Consult your local Country Side stove dealer for more information on approved wood pellet fuel.

\* A.P.F.I. Association of Pellet Fuel Industries

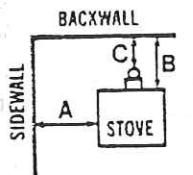
# INSTALLATION REQUIREMENTS

## FLOOR PROTECTION

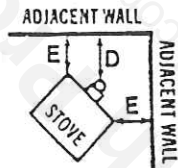
The Country Side J3500 may be installed on a combustible floor or a masonry hearth. The hearth or non combustible floor protector must extend a minimum of 6 inches in front of and 8 inches from each side of the ash removal door.

## CLEARANCES TO COMBUSTIBLES

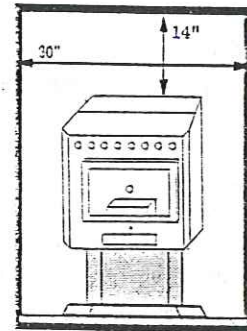
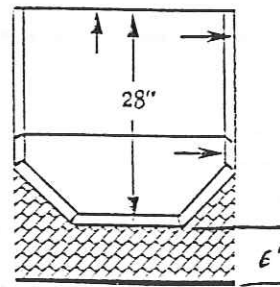
The stove must be installed with the following minimum clearances to side and back wall combustible materials: Note: These are minimum clearances to combustible walls established by the testing lab. The amount of room needed on the left side of the unit to access the electrical panel is 6".



RESIDENTIAL/M.H.  
A=1" B=9" C=3"  
Vertical Installation  
With Pellet Vent



RESIDENTIAL/M.H.  
D=3" E=1"  
Horizontal + Vertical  
Installation  
Corner Installation



Note: The above side & top clearance are to be used when installing the Country Side J3500 into an alcove.

## SPECIFICATIONS:

Heat output\* 45,000 BTU/HR  
Fuel storage capacity: 75lbs.  
Dimensions:  
Width: 28"  
Height: (without pedestal) 23"  
Height: (with pedestal) 33"  
Depth: 28"

\*BTU output will vary, depending on the brand of fuel and moisture content. Consult your authorized Country Side dealer for best results.

American Energy Systems Inc., manufacturer of the Country Side corn/pellet stove, reserved the right to alter its products, their specifications and/or price without notice.

Safety tested E.P.A. and exemption tested by Warnock Hersey to UL 1482, CAN/ULC-S627, ULC S628, APFI requirements, Oregon administrative rules 814-23-900 to 814-23-909, and E.P.A. Method 28A.

Clearance to Combustibles with 6 inch

	rear vent	top vent with -3" pellet vent	top vent kit
Back	1"	9"	9"
Side	1"	1"	1"
Corner	1"	1"	1"

## GUIDELINES FOR EXHAUST VENTING SYSTEMS DESIGN:

IT IS RECOMMENDED THAT ONLY AN AUTHORIZED COUNTRY SIDE INSTALLER INSTALL YOUR PELLET STOVE.

THE FOLLOWING INSTALLATION GUIDELINES MUST BE FOLLOWED TO ENSURE CONFORMITY WITH BOTH THE SAFETY LISTING OF THIS STOVE AND TO LOCAL BUILDING CODES.

### DESIGN GUIDELINES FOR EXHAUST SYSTEM

A listed 3 or 4 inch type "PL" pellet vent exhaust system must be used for FREESTANDING installations and attached to the pipe connector provided on the back of the stove. Use a 3 to 4 inch adapter for 4 inch pipe. A cap must be used at the termination of type L vent chimneys.

Do not terminate vent in any enclosed or semi-enclosed area, such as; carports, garage, attic, crawl space, under a sundeck or porch, narrow walkway or closely fenced area, or any location that can build up a concentration of fumes such as a stairwell, covered breezeway etc.

Vent surfaces can get hot enough to cause burns if touched by children. Non-combustible shielding or guards may be required. **Do not install a flue damper in the exhaust vent of this unit.**

Termination must exhaust above air inlet elevation. It is recommended that at least five feet of vertical pipe is installed when appliance is vented directly through a wall to create some natural draft to prevent the possibility of smoke or odour during appliance shutdown, and to keep exhaust from causing a nuisance or hazard from exposing people or shrubs to high temperatures. In any case the safest and preferred venting method is to extent vent through the roof. **Do not connect this unit to a chimney flue serving another appliance.**

Distance from doors and windows, or gravity or ventilation air inlet into building:

Not less than 4 ft. / 1.2 m below, 4 ft. / 1.2 m horizontally from, 1 ft. / 305 mm above

Distance from bottom of termination and grade - 12 in/305 mm minimum. This is conditional upon the plants and nature of grade surface. The exhaust gases are not enough to ignite grass, plants and shrubs located in the vicinity of the termination. The grade surface must not be a lawn. Distance from bottom of termination and public walkway 7 ft./2.1 m minimum.

Distance to Combustible Materials - 2 ft./610 mm. This includes adjacent buildings, fences, protruding parts of the structure, roof overhang, plants and shrubs, etc.

It is recommended that a single or double clean-out 'tee' should be installed at every 90 degree junction to enable collection of flyash and to permit periodic cleaning of the exhaust system (90 degree elbow accumulate fly ash and soot thereby reducing exhaust flow and performance of the stove.)

Total length of horizontal vent must no exceed 48" (1200mm). All joints in the vent system must be fastened by at least 3 screws, and all joints must be sealed with RTV silicone sealer to be airtight.

A 3" single-wall, stainless steel flexible or rigid exhaust pipe should be used for INSERT installations and must be attached to the stove with a single-wall, stainless steel 'tee' with a cleanout cap. The stainless steel 'tee' should be inclined at 45 degrees to enable the vent to be centered on the stove, and allows the 'tee' to be cleaned out without removing the stove (see diagram on page ).

When venting into an existing chimney (masonry or factory built) the chimney must be cleaned, with all creosote removed. The chimney must be a type suitable for solid fuel. **Warning:** chimney, and chimney connection must be kept in good condition and kept clean.

The "PL" vent or single wall stainless exhaust system must be installed so as to be **GAS TIGHT!** The vent manufacturer's installation procedures must be followed. In addition, pipe connections, joints and all pipe seams within the home should be sealed with high temperature silicone sealer (RTV).

If an insert is to be installed into an **unlined** masonry chimney, it is recommended that the 3 inch or 4 inch stainless steel pipe be extended to the top of the existing chimney. The top of the existing chimney should be

## GUIDELINES FOR EXHAUST VENTING SYSTEMS DESIGN (CONT.)

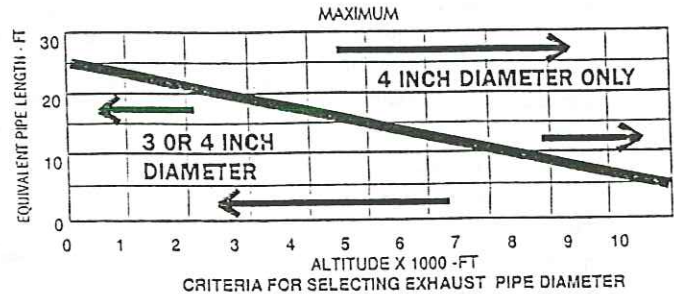
sealed with a steel plate (see Diagram on Page 15).

TO DETERMINE WHETHER A 3 INCH OR 4 INCH EXHAUST SYSTEM WILL BE USED, FOLLOW THE GUIDELINES BELOW

Determine whether 3 or 4 inch pipe is necessary based on equivalent pipe length calculated above and altitude of installation, using diagram below.

Determine equivalent length of exhaust vent in feet for proposed installation.

Horizontal Straight Pipe = 1 x actual length Ft.  
 Vertical Straight Pipe = 0.5 actual length Ft.  
 90 Degree Elbow or Tee = 5 Ft.  
 45 Degree Elbow = 3 Ft.



### INSTALLATION CONFIGURATIONS:

THE COUNTRY SIDE CORN/PELLET MODEL J3500 MAY BE INSTALLED AS THE FOLLOWING:

1. A freestanding unit (with a pedestal only)
2. A hearth mounted fireplace insert into a masonry or factory built fireplace
3. A built-in heater mounted in an alcove with a pedestal

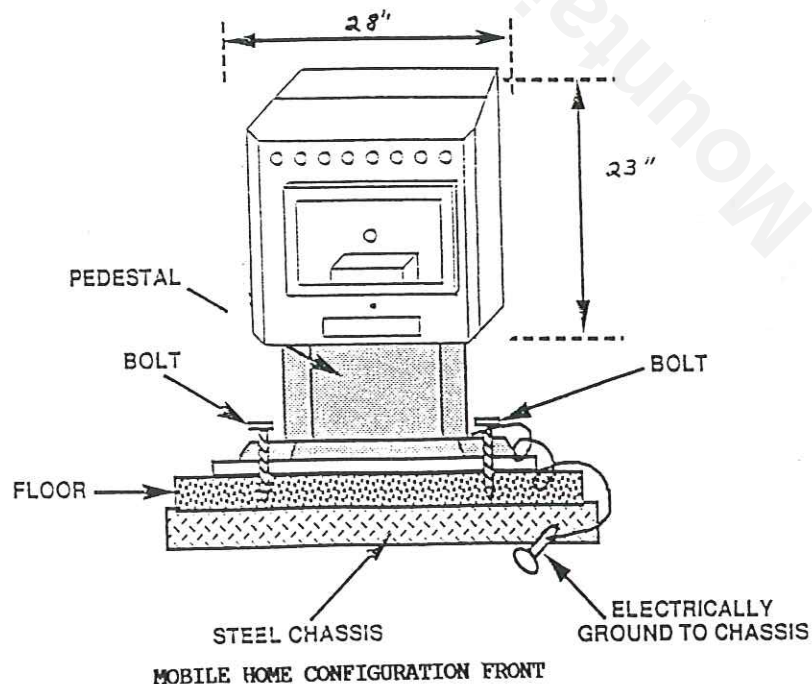
### MOBILE HOME INSTALLATION REQUIREMENTS:

IN ADDITION TO STANDARD INSTALLATION INSTRUCTIONS, THE FOLLOWING REQUIREMENTS ARE MANDATORY FOR INSTALLATION IN A MOBILE HOME:

**WARNING: DO NOT INSTALL IN SLEEPING ROOM**

1. Stove must be permanently bolted to the floor.
2. Stove must have permanent outside air source.
3. Stove must be permanently electrically grounded to the steel chassis of the home.
4. All vertical chimney vent must have wall supports every 5'.
5. All exhaust systems must have a spark arrester.

**CAUTION: THE STRUCTURAL INTEGRITY OF THE MOBILE HOME FLOOR, WALL, AND CEILING MUST BE MAINTAINED. CHECK WITH YOUR LOCAL BUILDING OFFICAL AS OTHER CODES MAY APPLY.**

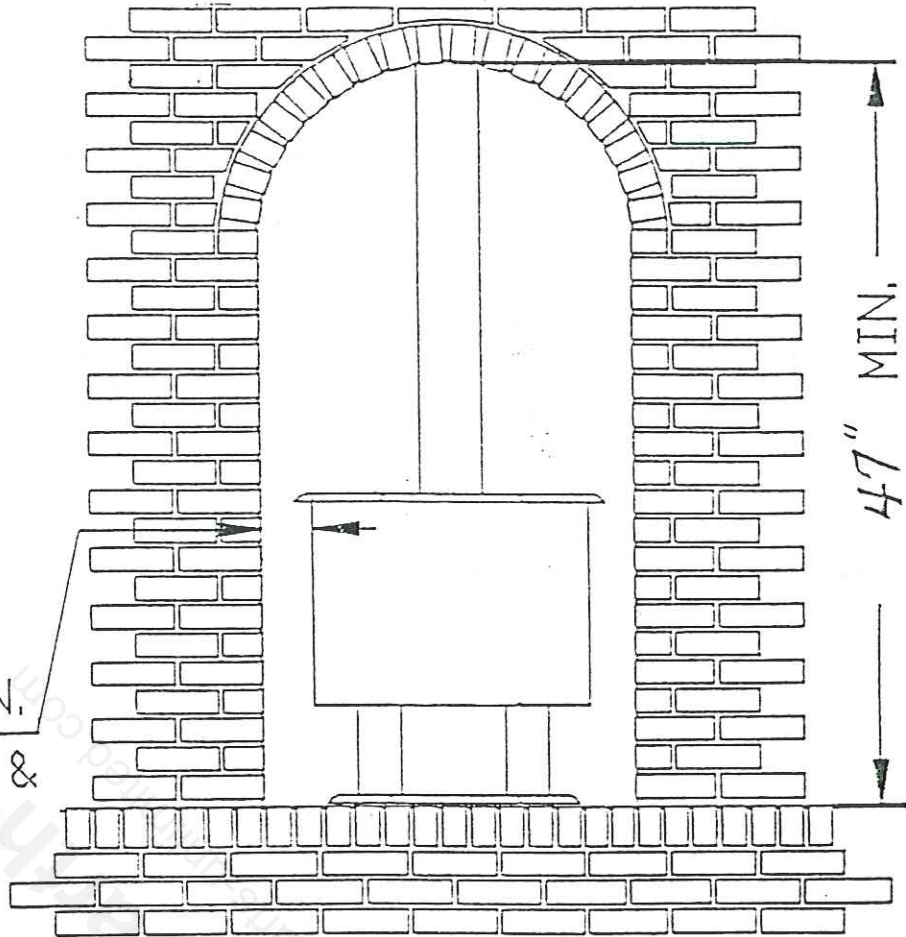


### C. VENTING SYSTEMS

#### 1. Alcove

- A. The Country Side J3500 is approved for the standard alcove height of 72 inches, or for a reduced alcove height with a minimum of 14 inches of clearance from the top of the stove. The maximum alcove depth is 60 inches and the listed side clearances are a minimum of 1 inch.

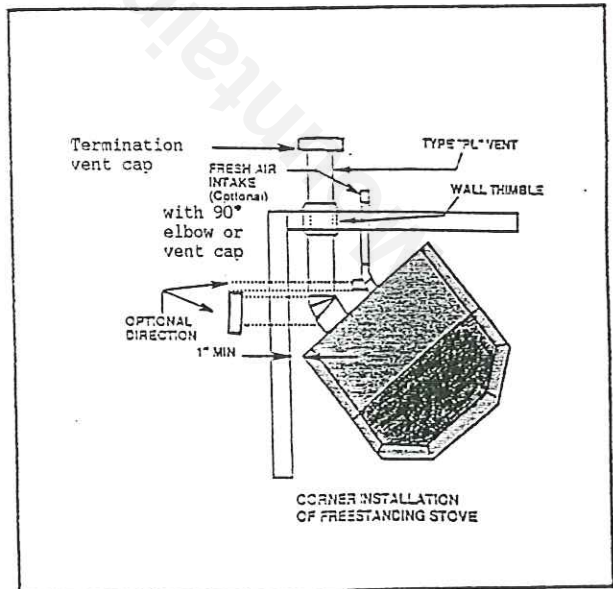
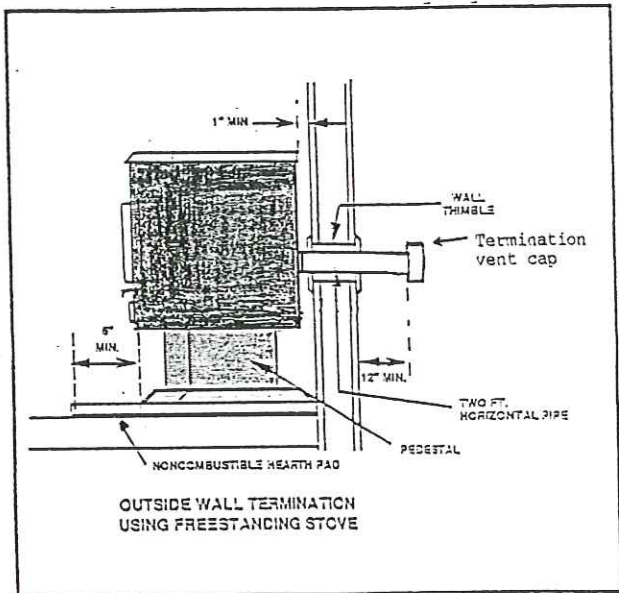
1" MIN.  
SIDES &  
REAR



### VENTING SYSTEM RECOMMENDATIONS

The stove is approved for horizontal exhaust, however we recommend that the exhaust go vertically for eight feet, or above the eave of the house. This will help draw smoke out of the stove in the event of a power failure.

2. Through the Wall. We recommend going vertical 5' or above eave.



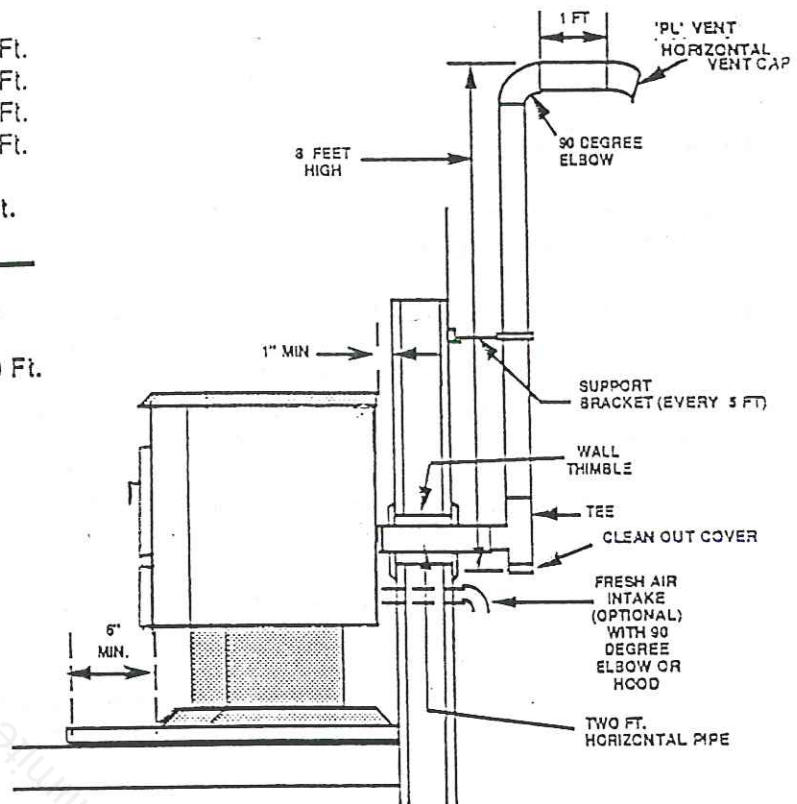
## ALTITUDE GUIDELINES FOR EXHAUST VENTING DESIGN

### EQUIVALENT PIPE LENGTH

- A) Horizontal Pipe =  $1 \times (2+1) = 3 \text{ Ft.}$
- B) Vertical Pipe =  $0.5 \times 8 = 4 \text{ Ft.}$
- C) 90 Degree Tee =  $2 \times 5 = 10 \text{ Ft.}$
- D) 45 Degree Eibow =  $1 \times 3 = 3 \text{ Ft.}$

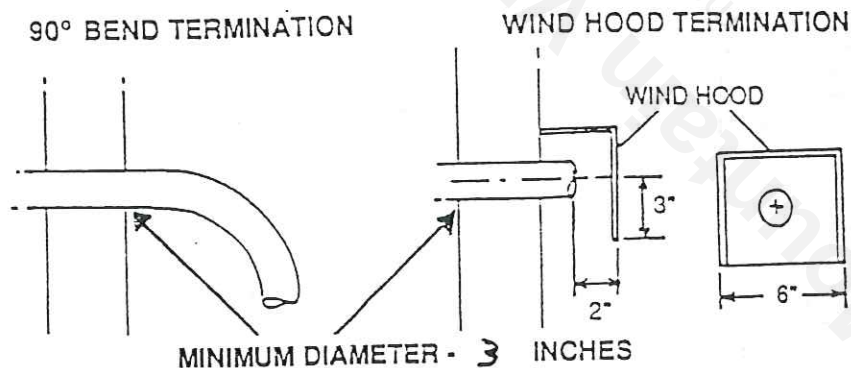
TOTAL 20 Ft.

In example at right, if stove is installed above 2500 Ft. altitude, 4 in. diameter exhaust vent is necessary. Below 2500 Ft. altitude, 3 in. or 4 in. diameter exhaust vent is suitable.



## DESIGN GUIDELINES FOR OUTSIDE COMBUSTION AIR CONNECTION

1. For FREESTANDING installations with horizontal through-the-wall exhaust, it is recommended, but not required, that the stove be connected to the outside.
2. For INSERT installations into an existing fireplace, or FREESTANDING installations with a vertical exhaust, outside air connection is not required.
3. Connection to outside the house is **REQUIRED** for mobile home installations.



4. Only steel pipe **3** inches inside diameter is approved to use for outside air connection (straight or flexible). PVC pipe or aluminum pipe is **NOT** approved, and should never be used.

5. If the air inlet is connected to the outside, it **MUST** be terminated with a vertical 90 degree bend (down) or with a wind hood. Failure to do so could result in a 'burn back' during high winds blowing directly up the air inlet during a simultaneous power failure (see diagram above).

6. Blockage, excessive length, or bends in the air intake pipe will starve the stove of combustion air. A 90 degree bend is equivalent in restriction to approximately 30 inches of straight inlet pipe.

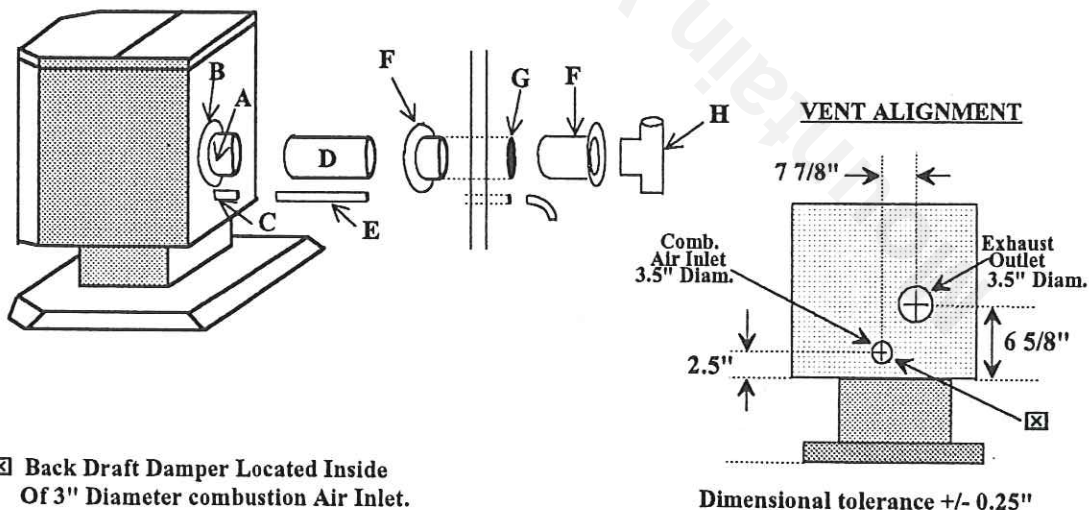
# FREESTANDING STOVE INSTALLATION CONFIGURATIONS

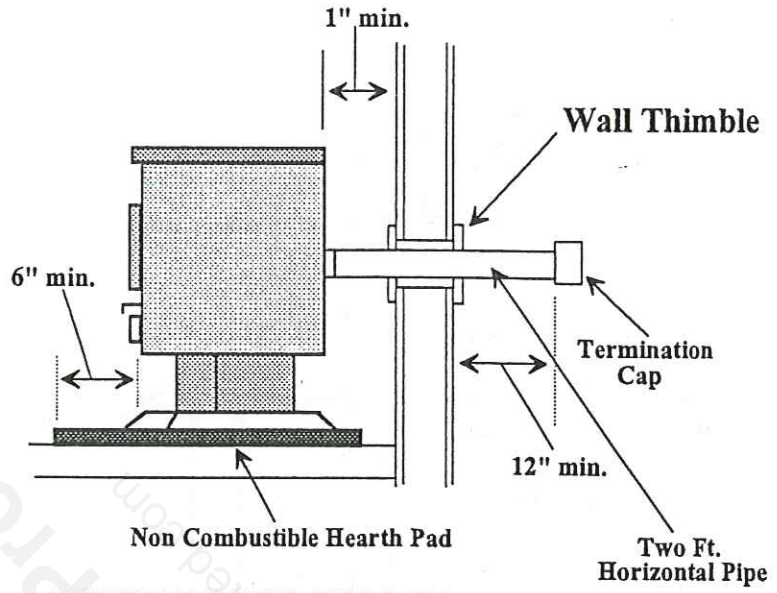
## Horizontal Exhaust Termination

- 1 Locate proper position for type "PL" wall thimble (F). Use saber saw or key hole saw to cut a 7 inch diameter hole through the wall (G) for 3 inch pipe. For 4 inch pipe, cut 8 inch hole. Install wall thimble in the hole.
- 2 Position stove approximately 12" from the wall on the noncombustible floor pad. Push the type "PL" pipe (D) through wall thimble (F). Squeeze a bead of high temperature RTV silicone sealer (A) around the outside of the 3" diameter exhaust pipe approximately 1/2" from the stove back panel (B). Firmly push on a section of type "PL" pipe (D) until the inner pipe liner pushes into the bead of RTV sealer. Don't seal the entire 3" diameter pipe as you will not be able to disassemble the pipe at a later date. The bead of silicone will act as a gasket right on the end of the 3" pipe (D). Alternate Method: An approved type "PL" connector band clamp may be used to allow easy disconnect for maintenance. (The RTV sealant must be used in Mobile Home Installation.
- 3 Push stove with pipe attached towards wall. Pipe (D) will go through the wall thimble (F). Be careful not to dislodge the thimble. Position stove no closer than 1" to the wall.

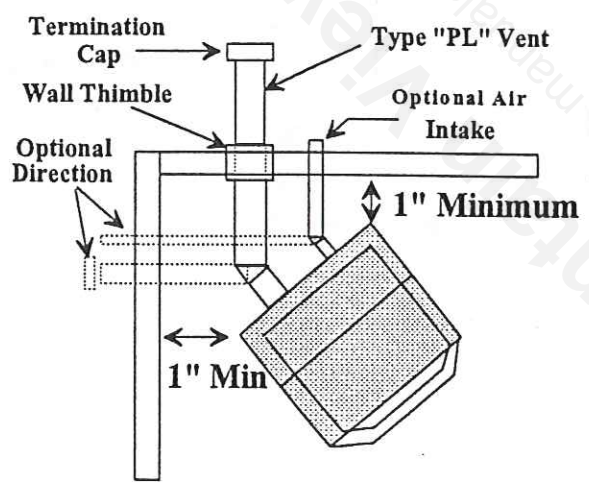
**NOTE:** Make sure that you leave enough clearance between the wall and the back of the unit so that when you open the hopper lid it will not hit pictures or the back wall. It is recommended that you leave 6" between the wall and the back of the unit for easy access.

- 4 Install type "PL" termination cap (H) with rodent screen cap (optional) on outside end of pipe. Note: The end of the exhaust pipe must extend a minimum of 12 inches from the outside of the building. Rodent screen should not be less than 3/8" in mesh.
- 5 If installing with combustion air from outside; cut a separate hole through the wall for the fresh air tube (E). This tube must be 3" (min.) diameter, steel only! Connect outside air pipe to air inlet on stove (C). This tube must be terminated with a 90 degree elbow or hood (see page..., "OUTSIDE AIR CONNECTION"): Care must be taken not to interfere with the operation of the combustion air back draft damper. Always make sure that it moves freely (I).

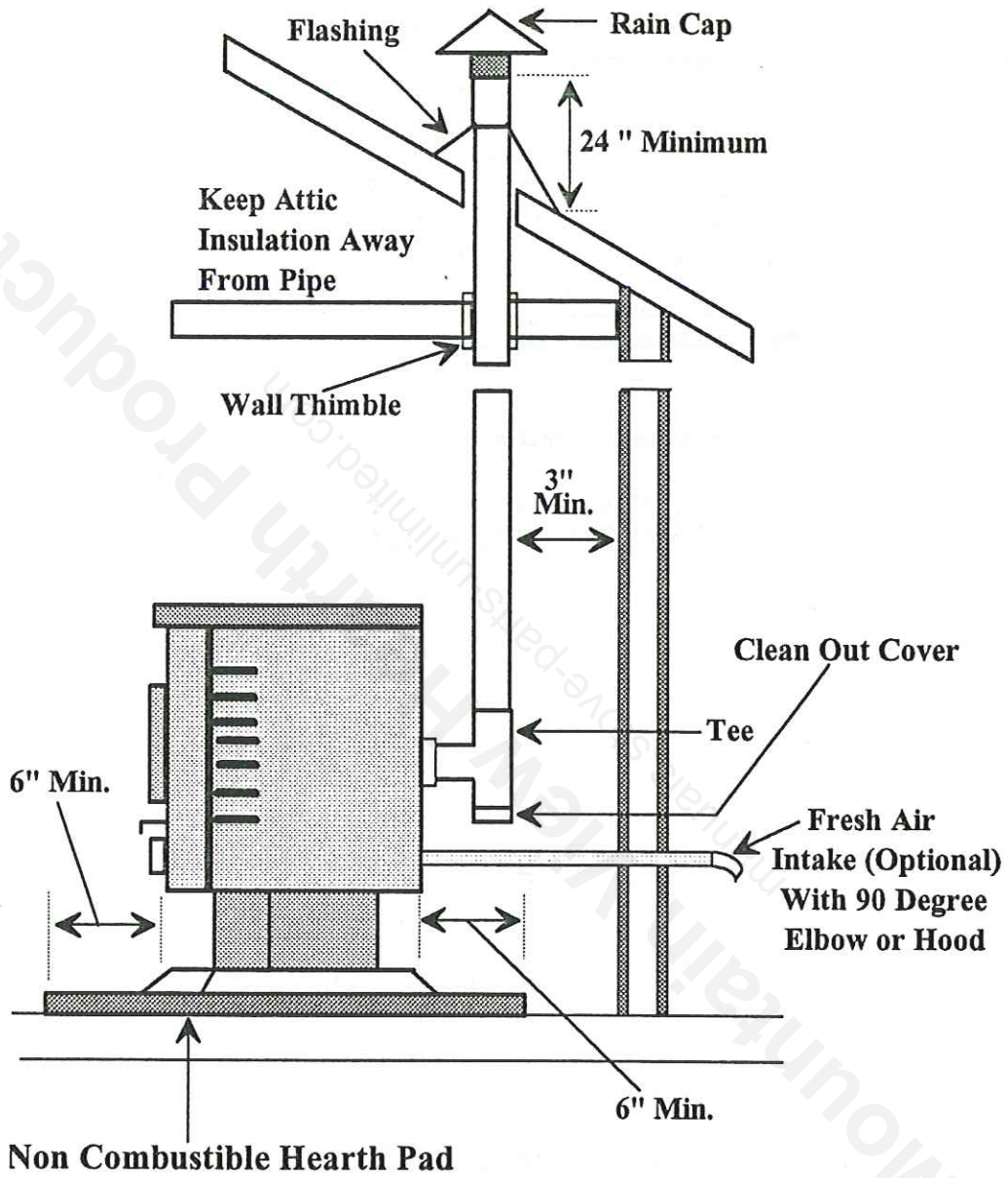




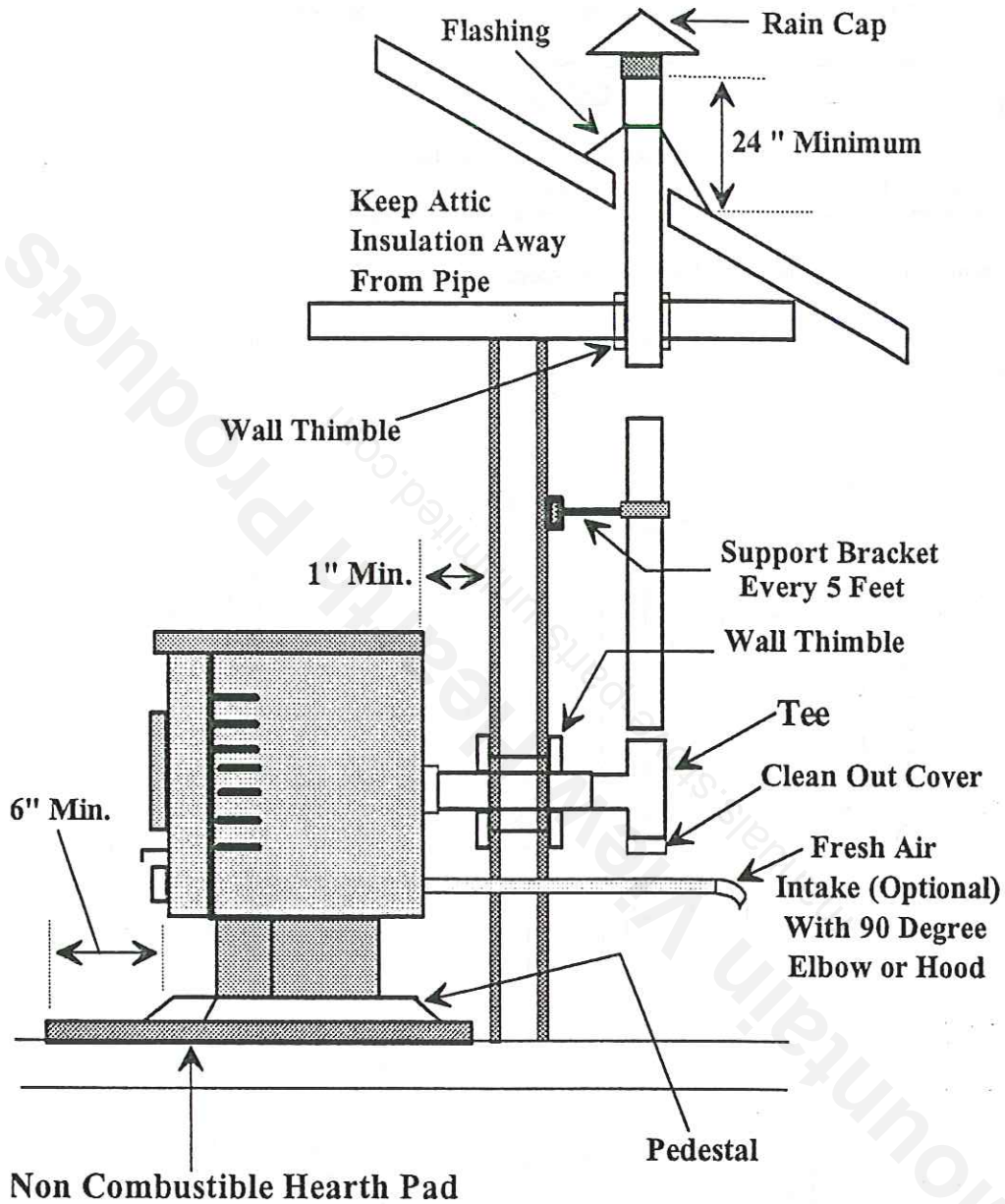
**OUTSIDE WALL TERMINATION  
USING FREESTANDING STOVE**



**CORNER INSTALLATION  
OF FREESTANDING STOVE**



**INSIDE VERTICAL PIPE WITH ROOF TERMINATION**



**THROUGH THE WALL, VERTICAL PIPE INSTALLATION WITH TERMINATION THROUGH THE ROOF**

# FIREPLACE INSERT INSTALLATION CONFIGURATION

## VENTING INTO AN EXISTING CHIMNEY

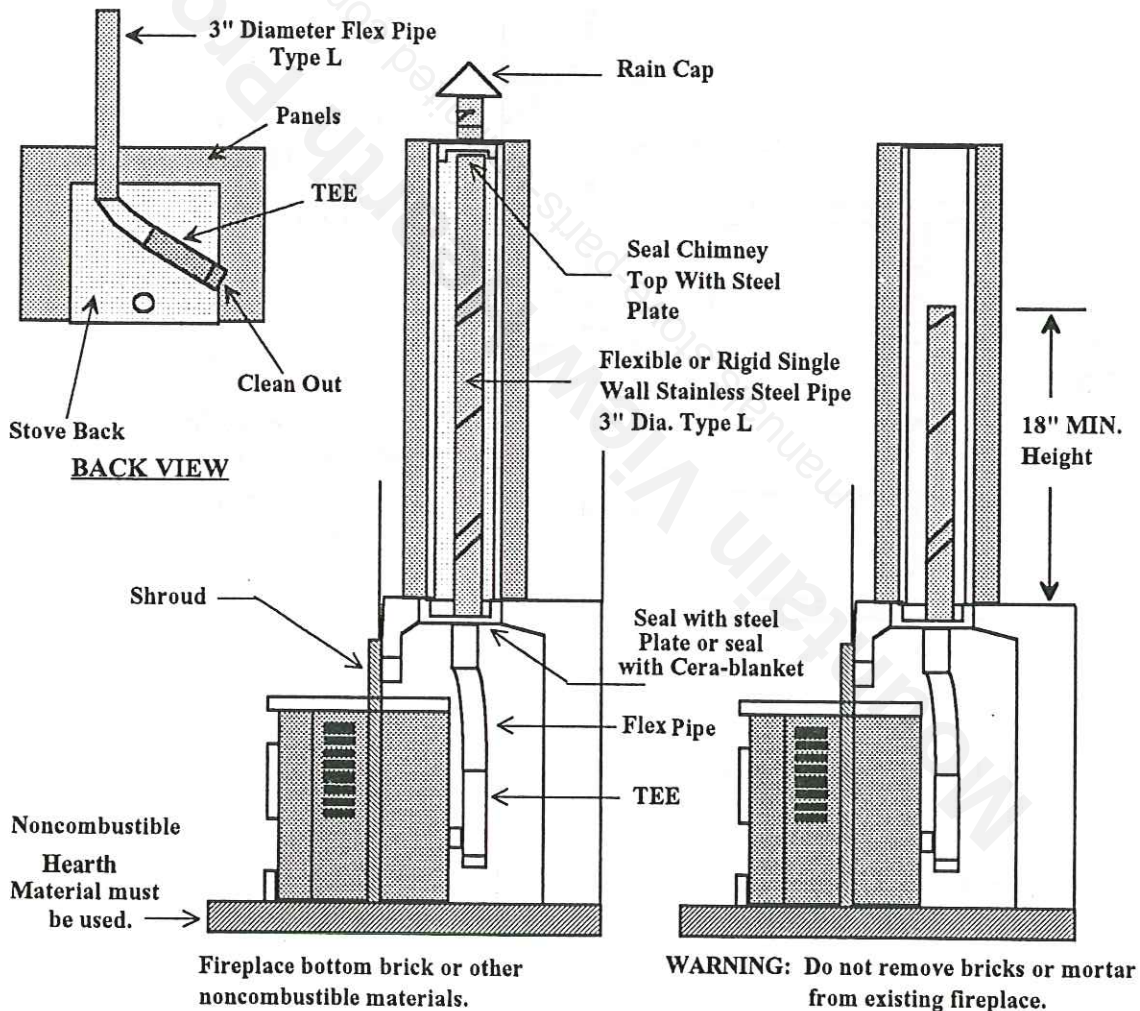
The Country Side J3500 insert may be installed in a masonry factory built fireplace as shown below. **NOTE:** When installing as a fireplace insert, the unit must extend out of the fireplace opening 12" to accommodate access to the circuit board panel and draft slide. These are located on the left side of the insert.

### CAUTION

There are serious consequences for using makeshift compromises during installation. Always use proper listed materials. Do not cut corners. Serious complications and possibly safety risks may occur. Always use a certified installer.

**NOTE:** The circulation air inlet fins must be inside the room. Do not put the shroud in front of them.

**NOTE:** Existing fireplace dampers must be locked in the open position, seal any openings between the masonry of the fireplace and the facing masonry.



## FIREPLACE INSERT INSTALLATION CONTINUED....

The Country Side J3501 insert requires a fireplace shroud for proper installation. There are 3 sizes available (see list below). The shroud is designed to slip over the stove top and must be anchored in place by using silicone or screws. These shrouds cover most factory built or small masonry fireplaces. Shrouds can be customized for particular installations.

- ① Position unit so that the shroud can be slid over the top lid behind the sliding draft control knob (located on left side of unit). Alternate Method: Open the back lid, slide shroud over sides, slide onto front lid close back lid, slide onto back lip.
- ② Attach 3" flex pipe connector to the 3" exhaust tube on the back of the unit. Allow enough flex pipe to pull the unit out of the fireplace opening for maintenance but be careful not to crimp pipe when pushing insert into place.
- ③ You may silicone around the fireplace shroud connecting it to the stove, or screw the shroud to the hopper back lid by using screws through the lip on the back of the shroud. This will have to be done before pushing unit into place. Be sure to route the stove plug-in-cord out through the shroud before pushing unit into place.

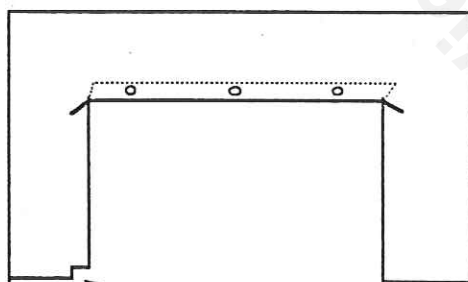
### PERIODIC MAINTENANCE

At least once a year the chimney and smoke chamber must be inspected and cleaned. The fireplace insert will have to be removed for the purpose of inspecting the fireplace insert and the chimney. The buildup of soot and creosote in the chimney pipe will cause the unit to operate inefficiently. Continued use will cause malfunction of the unit.

### Country Side INSERT SHROUD DIAGRAM

#### SHROUD SIZES

Small: 28.5" High X 40.0" Wide  
Medium: 32.0" High X 40.0" Wide  
Large: 28.5" High X 47.5" Wide



To remove the fireplace insert, disconnect power supply, slide the insert forward leaving the insert in place. Be careful not to dislodge the flex pipe. Open the cleanout too Fig. 1 and empty fly ash. Inspect chimney conditions and connections. Clean as needed. Slide insert back into place - connect power supply.

## GLASS MAINTENANCE REMOVAL AND REPLACEMENT

Your Country Side Corn/ Pellet stove comes to you with the glass doors installed in place, ready for use. The glass is surrounded on the edges with a gasket and seated in a glass channel. It is held in place with (4) four clips and screws.

### REMOVAL OF BROKEN OR DAMAGED GLASS

Open door and lift off of hinges. If door is tight, tap gently on bottom of door with hand or rubber hammer. Lay door down on news paper with glass clips facing you. Using a #2 Phillips screwdriver, loosen screws and take off the (4) glass clips. Remove broken glass carefully and discard.

The replacement glass comes from the factory with a self-adhesive gasket installed around the edges of the glass. This gasket is a high temperature fiber glass 1/8" thick x 3/4" wide. This gasket material must be on the glass. You can get this material from the factory or from an authorized Country Side dealer.

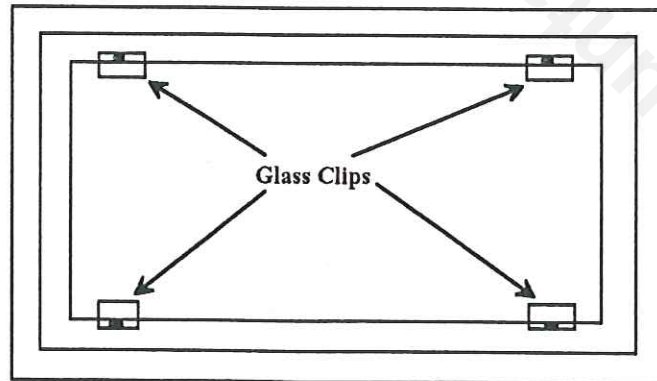
Reverse above procedure for replacing new glass.

### WARNING

Do not operate unit with broken glass  
Do not substitute original factory glass with substitute glass.  
You must use factory authorized glass. 8 <sup>11</sup>/<sub>16</sub> X 15 <sup>1</sup>/<sub>8</sub> high  
temperature Robax Ceramic glass, 5 mm thick.  
Do not slam door shut.  
Do not strike glass.  
Do not use abrasive cleaners. Do not clean when glass is hot.

### CLEANING GLASS

When the fire is first started it will produce some smoke. The smoke might accumulate on the glass surface. Before the fire gets hot, open the door and wipe the glass surface off with a damp rag. Do not touch surface with your bare hands. If after constant use the glass is dirty, you must clean the glass so that the glass will not become etched with the fly ash. When the glass has cooled off take a damp rag, put a little fly ash from the unit on the rag and clean glass. If this does not clean all of the glass, use an oven cleaner such as Easy Off or special glass cleaner provided by your Country Side representative. Most of the time the glass will wipe clean with a damp cloth only.



## LIGHTING INSTRUCTIONS

1. Make sure that fuel stirrer is turned to the off position.
2. Turn the heat setting knob to the number 3 or 4 setting.

**Note:** If using the wall thermostat option make sure that the thermostat is turned up. The unit will operate on low fire if thermostat is turned down.

3. Place 3-4 cubic inches of fire starter in firepot and light.
4. Allow all of the fire starter to get lit (app. 1 min.) and then turn on the fuel stirrer to the number 1 setting.
5. In 3 minutes the fuel feed auger will activate feeding fuel to the fire.

**Note:** If firepot begins to fill up with unburned fuel, turn the heat setting knob to off and repeat the cycle. (Leave the fuel stirrer on) If the fire burns low before the feed auger comes on, place a hand full of wood pellets in the firepot.

### Damper Control Function:

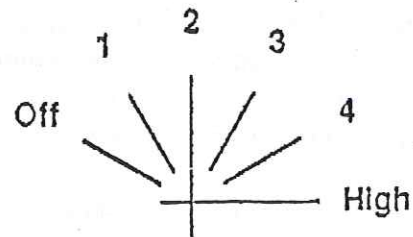
The "push pull" rod is located on the lower left-hand side of the unit. The damper control is pre-set from the factory but will have to be fine tuned for your home. This control will not have to be adjusted every time you light the stove. The proper settings will vary from home to home and altitude to altitude. The fall and spring settings may vary from the winter settings. If the flame is smokey red/orange with soot at the top of the flame, you need more combustion air. (The rod should be moved in small increments 1/16" to 1/8") If the flame is short and torch like or the fuel is burning up rapidly causing the fire to go out, push the damper control rod in slightly. When the fire is burning properly, push the set collar up against the stove and tighten the set screw.

Contact your authorized Country Side representative for further instruction.

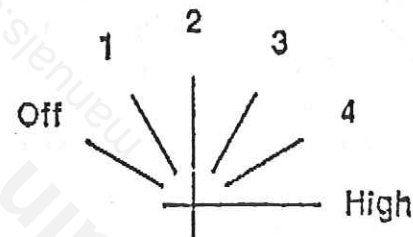
## Country Side

### Multifuel Pellet Stove

#### (2) Heat Setting



#### (1) Fuel Stirrer



System Indicator  
Light

American Energy Systems, Inc.  
50 Academy Lane  
Hutchinson, MN 55350  
Service Dept. 1-612-587-6565

## AMERICAN ENERGY SYSTEMS, INC.

### ORTECH CIRCUIT BOARD - FUNCTIONS

**Startup:** When the circuit board is energized there is a 10 second purging of the auger tube to allow fuel to enter the firepot. To initiate the Startup turn the Heat Setting knob to one of the five (5) positions. It is recommended to always start the unit on either 3 or 4. If the unit is started on the one (1) or two (2) settings the firebox temperature may not rise fast enough for the low limit sensor to engage. When the Heat Setting knob is turned on, the draft blower starts and after the 10 second purging of the auger tube the fuel auger stops and then will wait 3 minutes until feeding fuel. The Fuel Stirrer can be turned on at this time and will operate. It is recommended that the Fuel Stirrer be set on the number 1 or 2 setting for normal operation. Corn may require a higher setting if the starch content is high and Wood Pellets should never have to be over the number 1 setting. When the Countryside Multifuel unit is first lit it is best to wait until the fire is burning for approximately 1 to 2 minutes and then turn on the Fuel Stirrer.

**NOTE:** Make sure that the wall thermostat is turned up so that the unit will start on the high setting if you are using the thermostat option.

If the fire is not hot enough to engage the low limit sensor, in 10 minutes, the circuit board will cycle through the shut down mode and will shut the unit off. The green system indicator light will blink rapidly to show that the unit is not operating properly. To restart the system simply shut the Heat Setting knob off and turn back on.

Once the unit is operating at the proper temperature select the heat setting that you want, adjust the manual draft adjustment slide to the left of the circuit board door and the unit will be operational. The number 3 Heat Setting is best for Corn and the number 4 Heat Setting is best for Wood Pellets for a high fire burn. The maximum Heat Setting should only be used if the home is over 2500 square feet or the weather is extremely cold outside. The maximum heat setting is intended for use with Wood Pellets and the maximum Heat Setting for corn would be the number 4 setting. The unit is designed to cycle between the high and low settings to maintain proper efficiency and heat transfer. It is recommended that the unit not run on the maximum settings for an extended period of time but be cycled to a lower setting periodically. It is also recommended that the unit not be run on low for an extended period of time as the draft motor will not cleanse the system adequately. Cycle the unit to a high setting once a day or so and it will act as a cleaning cycle for the fly ash. If you open the manual draft adjustment slide full open once every day or two it will keep the system operating cleaner and more efficiently.

**Shut Down:** If you are wanting to shut the system down simply turn the Heat Setting knob to off and the system will enter a shut down mode. The Fuel Stirrer will continue to operate until the low limit safety sensor tells it that the fire is out and the firepot is clean. Then the Fuel Stirrer will shut off. The Room Fan and Exhaust Draft Blowers will continue to run until the low limit safety sensor opens and then the whole system will shut off. When this happens the fuel auger will purge the auger tube of any fuel that is on the end of the auger for 10 seconds and then will shut off.

**Before starting up the Countryside Multifuel unit again it is recommended that the Fuel Stirrer switch be turned off so that the fire can be started properly. It will also ensure that the Fuel Stirrer will not start with someone having their hand in the firepot.**

## SETTING THE DRAFT

---

A proper draft setting is crucial to the successful burning of solid fuels. Draft refers to the amount of air flowing through the burn chamber of your stove. Too much or too little draft will cause your stove to burn improperly and may result in the fire burning out. Please follow these guidelines carefully as you operate your stove to achieve maximum efficiency and enjoyment.

- The amount of draft required for your stove to burn properly will depend upon your installation and the fuel you use. Generally, the draft should be set between 0.13 and 0.14 inches of water on a manometric draft meter. If you do not have access to a draft meter, you can set your draft by looking at the flame and following these guidelines. The damper is the rod and knob on the right side of the stove. Pulling the damper out increases the draft and pushing the damper in decreases the draft. A little movement of the damper goes a long way to changing the flame. It may take several trial and error adjustments on the draft to achieve the correct setting.
- The flame should be an "active" flame. A flame that moves around lazily and emits visible smoke needs more draft. To give the fire more draft, pull the damper out 1/8" and check the flame again. If the status of the flame has not changed, move the damper another 1/8" until you get a clean, "dancing" flame.
- The base of the flame should be blue in color and the top of the flame should be yellow.
- If the flame does not have enough draft, fuel will build up in the firepot and eventually smother the flame. If this happens, or if you notice the firepot is filling up with partially burnt fuel, open the damper 1/8" at a time until the fire is clean and dancing.
- If the flame has too much draft, the flame will look like a torch in that it will be moving rapidly and blowing fuel out of the firepot. If you find the flame in this condition, move the damper inward 1/8" at a time until the condition of the flame changes.

## MAINTENANCE INSTRUCTIONS

---

### Daily Maintenance

- Surfaces on the front of the stove will be extremely hot during operation. Always wear heat resistant gloves to perform periodic maintenance.
- Using the hole in the handle end of the clean out tool, move the shaker grate in and out 10 times and return it to the operating position, all the way in. This should be performed daily, 2-3 times daily will help ensure proper air flow to the firebox.
- Remove the ash pan and dump the ash into a metal container. To remove the ash pan, turn the lock screw counterclockwise until the pan is unlocked (approximately 3/4 turn) and slide the pan out. Return the pan to the stove and turn the lock screw clockwise 3/4 turn to lock the pan in place. The stove will not burn properly if the pan is not locked into place. Make sure that clinkers, etc. do not block the ash pan when you replace and lock the ash drawer into place.
- Using the clean out tool tap the side heat exchangers that are located on the left and right sides of the firebox. When you open the door they are located directly inside to the left and right. There are 7 holes located underneath each heat exchanger. When you tap the sides with the clean out tool the loose fly ash will drop out of these holes. If it does not drop out you can use a coat hanger wire to poke up into the holes until the ash runs out. If the heat exchangers sound hollow after you tap on them they are clean.
- While you are emptying the ash drawer and tapping the side heat exchangers, we recommend that you pull the draft knob all the way out for a minute or two and put the unit on high fire. This will allow the unit to self clean the heat exchanger area, the draft fan, and exhaust chimney pipe.

**Note:** You still need to check the chimney periodically to ensure that it is clean.

- If a clinker ball develops in the firepot, scrape it out with the clean out tool. You may have to do this once or twice a day depending on the moisture content of the corn. If this is not cleaned out, it could cause the agitator bar to jam. Clinker balls are a direct result of excessive corn moisture and they do not indicate a problem with the unit. If you want less clinkering mix 15-20% wood pellets with your shelled corn.
- Open the stove door and wipe the inside of the glass with a damp cloth as needed.

### Weekly Maintenance

- Set the stove on high fire. open the draft to 100% and allow the stove to burn for 15 minutes. Resume desired heat and draft setting.
- Shut down the stove as directed in the operating instructions. Allow the stove to cool to room temperature. Remove the small clean out doors in the lower corners of the burn chamber. Tap the sides of the burn chamber with the clean out tool. Do not tap the fire wall behind the burn box as it may damage the insulation. Using the clean out tool, scrape the fly ash from the clean out chambers toward the front of the burn chamber. Remove the fly ash from the burn chamber and replace the clean out chamber doors.
- Remove the firepot by stopping the agitator in the upright position and pulling up and out on the firepot. Using the clean out tool, remove any ash from the top surface of the shaker grate. Replace the firepot.

## MAINTENANCE INSTRUCTIONS CONTINUED.....

---

- Cleaning of the exhaust system will depend upon the ash and debris content of your fuel. If your fuel has a high ash content and/or significant debris in it, your exhaust system will require weekly cleaning. Cleaner fuels will allow for monthly cleaning of the exhaust system. Remove the exhaust pipe from the back of your stove and remove any ash that may have collected in the pipes. Replace the pipes to the stove and seal with high temperature seal tape. If you have installed proper clean out tees you will not have to take the chimney sections apart.
- While you are doing your weekly cleaning have the unit set on high and the draft knob all the way out. Remember the unit is not burning. Push the start button to engage the draft fan. This will help suck out the fly ash dust and help clean the heat exchangers, draft for blades, and chimney pipes. After cleaning push the draft knob back into the stop collar.

**Remember:** A clean unit burns efficiently and will remain trouble free.

## AUTOMATIC SAFETY FEATURES

---

### **Warning**

These automatic safety features must not be bypassed.

#### ① **Power Outage**

During a power outage, the stove will shut down safely. It will not automatically restart when the power returns, unless the exhaust is still up to temperature ( see "Lighting Your Stove" page 18)

#### ② **Overheating**

A high temperature switch will automatically shut down the stove if it overheats. The stove will need to be manually re-lit. Allow 45 minutes before relighting.

#### ③ **Auger Cut-off**

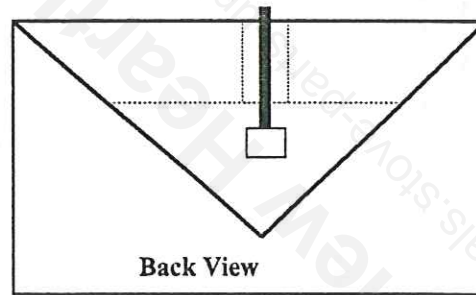
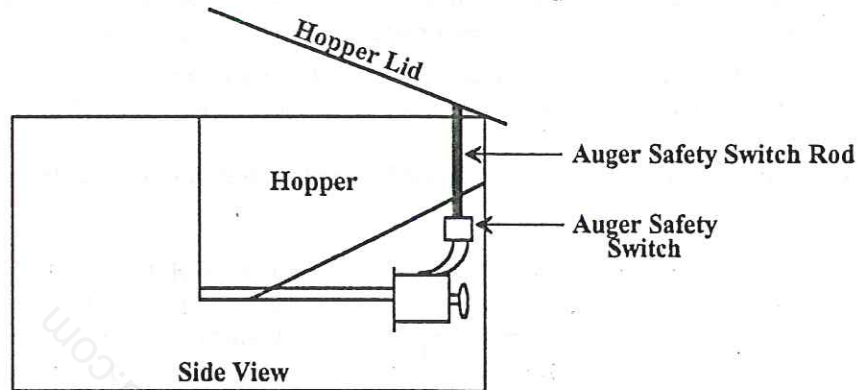
When the back hopper lid is opened the fuel auger stops. It will resume operation when the lid is closed. The hopper lids must be kept closed for proper operation. If the lid is left open the fire will go out.

### **HOW TO TURN THE STOVE OFF**

Turn the heat selector switch to the "OFF" position. This will turn the auger motor off and fuel will stop feeding. Both blowers will continue to operate for a period of time (as long as 45 mins.) until the exhaust temperature cools down sufficiently. The blowers will automatically turn off after this period of time.

## HOPPER AUGER SAFETY SWITCH LOCATION

The hopper auger safety switch is mounted in the back of the hopper, up next to the back lid. The assembly is enclosed to keep fuel and fires from entering the switch locale. When the lid is opened it cuts power to the auger motor. Power is resumed when lid is closed.

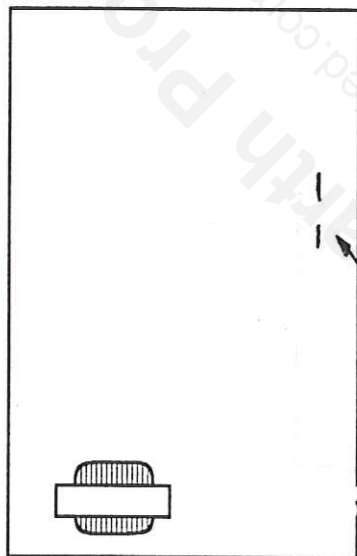


## THERMOSTAT INSTALLATION

### General guidelines for installing a wall thermostat

- ① The Country Side J3500 can be installed with and operated by a wall mounted thermostat. However, a wall thermostat is not supplied with the stove. A wall thermostat can be purchased from your dealer or at most home improvement centers or hardware stores. The wall thermostat should be a low voltage (24 volt AC) or millivolt system. Most thermostats will have instructions with them as to where to place them in your room. Please follow the thermostat manufacturer's instructions carefully.
- ② There are two (2) male spade terminals on the back of the control panel near the center. connect the two wires from the wall thermostat, one to each of these spade terminals. Needed 2 female 1/4" insulated terminals.
- ③ Make sure that the wires are routed properly to protect from hot surfaces. Do not cross wires with circuitry on board.

The circuit board is located on the left side of the stove. Remove the 1/4" Hex Head Screw and pull circuit board towards you. Lift circuit board out of housing. Do not crimp or stretch wires leading from circuit board pigtail. Reinstall in reverse procedure.



Thermostat Wire Hookup

## TROUBLE SHOOTING GUIDE

Unplug stove before performing any maintenance work

PROBLEM	CAUSES	SOLUTIONS
<p>Fire burns with a lazy, orange flame. Fuel builds up in the grate and the window gets sooted up.</p>	<ol style="list-style-type: none"> <li>1) Insufficient combustion air.</li> <li>2) Feed rate too high.</li> <li>3) Corn or wood pellets have too much moisture- need 14% or less 12-13 % is ideal</li> <li>4) Fuel selector switch on wrong fuel setting.</li> <li>5) Combustion/ Exhaust fan plugged or going out.</li> </ol>	<p>Remove any clinkers or ash from firepot by using scraping tool. Shake ashes into ash pan by moving shaker handle, (see page I). Make sure that shaker grate is in closed position pushed all the way in towards stove. Clean out primary air in firepot holes if plugged.</p> <p>* Empty ash drawer and clean out back heat exchanger by removing the lower access plates.</p> <p>* Tap the side exhaust heat exchangers to clean them as shown on pale..</p> <p>* Change to a better grade of fuel if necessary. See page 3 regarding fuel quality.</p> <p>Check that damper control knob is adjusted properly. Pull out to increase fire burn.</p> <p>Check fuel selector switch on circuit board. corn or wood setting. The wood setting feeds more fuel than the corn setting.</p> <p>Check gasket seal around the door. If door is loose, adjust the handle latch. A small adjustment can be made to the door seal by adjusting the door latch rod and/or the door hinges. Replace the door gasket if necessary.</p> <p>Check that the ash pan is locked in the correct position and check the gasket seal around the ash pan in the same manner as above.</p> <p>Replace the ash pan gasket if necessary.</p> <p>Check for blockage in the air inlet tube or exhaust pipe. Clean out as necessary.</p> <p>Unplug the power source before servicing. Check combustion exhaust blower impeller. This can be done by removing exhaust pipe and shining a light into tube. Have your certified Jamestown maintenance dealer service unit.</p> <p>* Replace combustion exhaust blower if necessary.</p>

TROUBLESHOOTING GUIDE CONTINUED

UNPLUG STOVE BEFORE PERFORMING ANY MAINTENANCE WORK

PROBLEMS	CAUSES	SOLUTIONS
<p>Fire goes out or stove shuts down automatically</p>	<ol style="list-style-type: none"> <li>1) Hopper is empty.</li> <li>2) Fuel not feeding.</li> <li>3) High limit temperature switch has tripped.</li> <li>4) Combustion air too high.</li> <li>5) Fuel feed rate too low.</li> </ol>	<p>Refill hopper.</p> <p>See "Fuel will not feed" below.</p> <p>Allow stove to cool for 1 hour and relight. If the stove has been operating at a medium to high burn and the convection fan has been turned down low, then the fan should be turned up higher. If this problem persists (particularly at lower burn rates) then the high limit snap switch should be replaced by your authorized Country Side dealer.</p> <p>Adjust damper in to reduce combustion air flow.</p> <p>Have your authorized Country Side dealer adjust the fuel control.</p>
<p>Pellets will not feed.</p>	<ol style="list-style-type: none"> <li>1) Hopper is empty.</li> <li>2) Auger, circuit board, pressure switch or relay</li> </ol>	<p>Check contents of the hopper. Add fuel if necessary.</p> <p>Have your certified Country Side dealer diagnose the problem and replace parts.</p>
<p>Stove runs for 10 minutes and then shuts down.</p>	<ol style="list-style-type: none"> <li>1) Exhaust gas is not up to temperature.</li> <li>2) Low limit snap switch not operating correctly. May be defective.</li> <li>3) Wires to either the low limit snap switch or high limit snap switch (mounted on the side of the firebox) are loose or disconnected.</li> </ol>	<p>Turn heat setting switch off and then on and relight stove if necessary.</p> <p>Have a certified Country Side dealer replace the low limit switch.</p> <p>Have a certified Country Side dealer replace the low limit snap switch.</p> <p>Contact your local authorized Country Side dealer for service.</p>
<p>Blowers will not shut off after the fuel has been switched off and the stove has cooled down.</p>	<ol style="list-style-type: none"> <li>1) Low limit snap switch has failed in the closed position.</li> </ol>	<p>Have a certified Country Side dealer replace the low limit snap switch.</p>
<p>Blowers will not operate when the start switch is depressed.</p>	<ol style="list-style-type: none"> <li>1) No power to stove.</li> <li>2) No power to control board.</li> </ol>	<p>Check to see that the stove is plugged into the wall outlet.</p> <p>Check to see if your circuit breaker has "tripped".</p> <p>Check wire connections between the high limit snap switch and the terminal block. (see page .)</p>

TROUBLESHOOTING GUIDE CONTINUED

UNPLUG STOVE BEFORE PERFORMING ANY MAINTENANCE WORK

PROBLEM	CAUSES	SOLUTIONS
<p>Soot or fly ash in the house.</p>	<ol style="list-style-type: none"> <li>1) Cleaning the window, particularly when the stove is operating.</li> <li>2) Leakage at the joints between the combustion fan, exhaust pipe, and 'PL' vent. This will be evidenced by dust on the impeller of the convection fan, and in the heat exchanger tubes.</li> <li>3) Fireplace insert installation: If the existing fireplace opening was not thoroughly cleaned and painted before the insert was installed, then the convection fan may be picking up the fireplace dust, soot or ash and blowing it into the house.</li> </ol>	<p>Turn down the convection fan before cleaning to prevent dispersion into the room.</p> <p>Seal up any leaks in the exhaust system, with RTV high temperature silicone sealer.</p> <p>Have certified <b>Country Side</b> service technician inspect stove.</p> <p>Pull insert away from fireplace opening. Thoroughly clean the opening and paint the inside of the opening with latex or an inexpensive spray paint to hold down the finer particles of dust.</p>
<p>Creosote</p>	<p>Formation and need for removal</p>	<p>When wood is burned slowly, it produces tar and other organic vapors, which combine with expelled moisture to form creosote. The creosote vapors condense in the relatively cool chimney flue associated with a slow burning fire. As a result, creosote residue accumulates on the flue lining. When ignited this creosote can result in an extremely hot fire. The chimney should be inspected periodically during the heating season to determine if a creosote build-up has occurred. If a significant layer of creosote has accumulated (3 mm or more) it should be removed to reduce the risk of a chimney fire.</p>

**CAUTION:** (When performing any internal electrical maintenance)

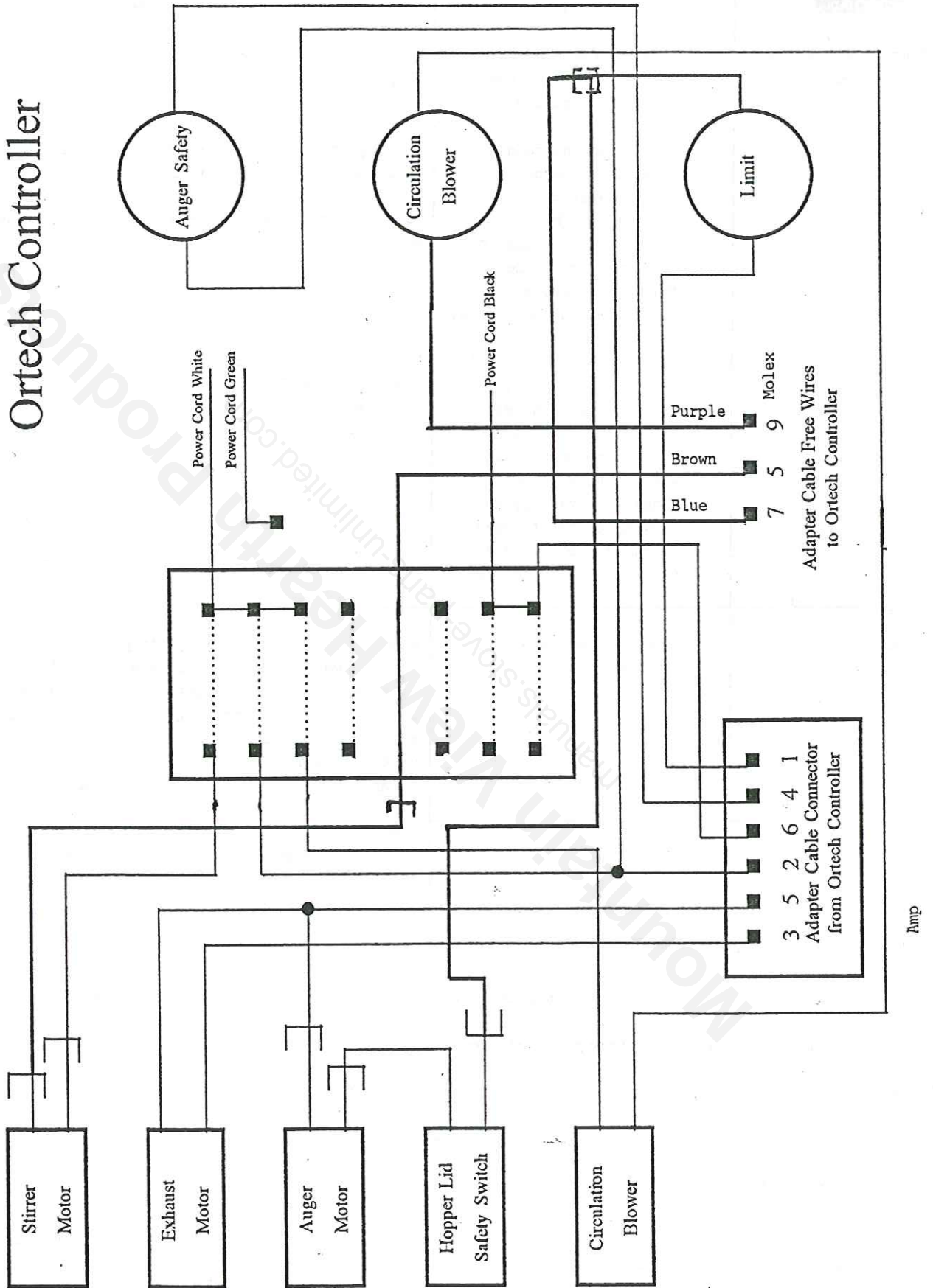
- Moving parts inside of cabinet may cause injury. Do not operate unit with panels removed.
- Hot parts. Do not operate unit with panels removed.

**DANGER** (When performing any internal electrical maintenance)

- Risk of electrical shock. Disconnect power before servicing unit.
- In the event of component failure, replace with original factory equipment.

# Stove Wiring Diagram

## Ortech Controller



Amp

## SETTING THE CIRCUIT BOARD

If the low fire Heat Setting is too low for the fuel that you are burning and the fire goes out the number 1 or 2 Heat setting can be adjusted through the access hole located next to the system indicator light. (2)

If the Draft setting is too low on the number 1 or 2 Heat Setting it can be adjusted through the access hole located next to the Fuel Stirrer knob. (1)

To adjust the settings place a small screwdriver through the hole to the adjustment screw. Turning the screw clockwise increases the draft and counterclockwise decreases the draft. (1) Turning the screw clockwise increases the fuel feed rate and counterclockwise decreases the fuel feed rate. (2)

The systems indicator light will blink the setting number that you are on. There are 10 settings that are available with # 10 being the lowest and # 9 being the highest. When you turn the adjustment screw to the next setting the light will blink the number that you are on and then the light will stay on. ( Example. If the setting is on # 10 and you turn the screw clockwise one turn to # 1 the light will blink once. If you turn the screw counterclockwise one turn from # 10 to # 9 the light will blink 9 times and then stay on.)

NOTE: Number 10 on both adjustment settings is the lowest setting. As you turn the adjustment screw clockwise 1 -2 -3 etc the draft (1) and the fuel feed rate (2) will increase.

**THESE SETTINGS NEED TO BE MADE BY A QUALIFIED SERVICE TECHNICIAN**

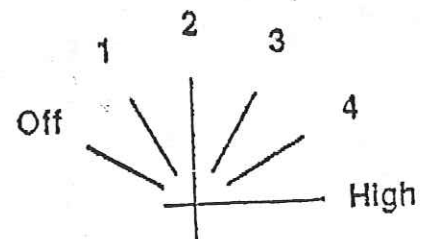
The circuit board fuse is located on the back of the board. If the board does not work check the fuse to make sure that it is good.

The thermostat hookup is located on the back of the circuit board. See thermostat installation.

# Country Side

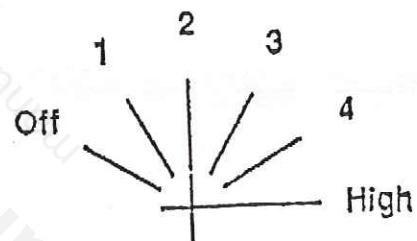
## Multifuel Pellet Stove

### Heat Setting



### Fuel Stirrer

Draft Adjustment



Fuel Feed Rate Adjustment



System Indicator Light

American Energy Systems, Inc.  
50 Academy Lane  
Hutchinson, MN 55350  
Service Dept. 1-612-587-6565

## 5 YEAR LIMITED WARRANTY

This Warranty is issued by American Energy Systems Inc. (Manufacturer) and extends only to the original purchaser of this product. This limited warranty will not become effective unless you have returned attached warranty card within 30 days of your purchase. If you fail to do so, you may make no claim under this warranty. American Energy Systems Inc. excludes and disclaims all implied warranties including, but not limited to, the implied warranty of merchantability. For a period of five (5) years from the date of original purchase, Manufacturer will warrant to the original consumer-purchaser that all steel components are free of defects in materials and workmanship. (except the Firepot which is covered by a one (1) year warranty.) There is expressly no warranty on glass window, fiberglass rope gasketing, pyroboard insulation board, grates, paint, brass or gold plated surfaces, baffles, or handles. All electrical components are covered by the original manufacturer for a period of one year from the original purchase date.

This warranty covers defects in materials and workmanship in covered components, provided the product has been installed and operated strictly in accordance with manufacturers printed instructions. This warranty does not cover damage or breakage due or caused by mishandling, freight damage, or misuse or unauthorized modification of the structure or electrical system.

This warranty does not cover damage caused by the failure to maintain product with proper maintenance and cleaning.

This warranty will become null and void if unauthorized fuel is used.

Before exercising this warranty a local representative must inspect the unit to determine if the unit is defective. If the inspection reveals that the failure is due to defective material or workmanship and the part is covered by the conditions of this warranty, the Manufacturer will at its option repair or replace the defective part. The sole duty of the Manufacturer and liability under this warranty is limited to the repair or replacement of the covered defective part. The purchaser shall assume all costs related to shipping the replacement parts or the return of the unit to the factory for replacement. If it is determined that the defect was caused by the Manufacturer, the Manufacturer will cover the costs of shipping the repaired unit or replacement parts to the original purchaser.

REMOVAL OR REINSTALLATION COSTS ARE NOT COVERED BY THIS WARRANTY.

Neither the Manufacturer, nor the Supplier to the purchaser, accepts responsibility legal or otherwise, for incidental or consequential damage to property of persons resulting from the use of this product. Any warranty implied by law, including but not limited to implied warranties of merchantability or fitness, shall be limited to one year from the date of original purchase. Whether a claim is made against the Manufacturer based on a breach of this warranty or any other type of warranty, expressed or implied by law, Manufacturer shall in no event be liable for any special, indirect, consequential or other damages of any nature whatsoever in excess of the original purchase price of this product. All warranties by Manufacturer are set forth herein and no claim shall be made against Manufacturer on any oral warranty or representation.

Some states do not allow the exclusion or limitation of consequential damages, or limitations of implied warranties, so the limitations or exclusions set forth in this warranty may not apply to you. This warranty gives you specific legal rights and you may also have other rights which vary from state to state.

ALL CLAIMS UNDER THIS WARRANTY MUST BE MADE IN WRITING TO THE MANUFACTURER AT :  
AMERICAN ENERGY SYSTEMS INC., 50 ACADEMY LANE, HUTCHINSON, MN, 55350  
Included with claim needs to be the following:

1. Name, address, and telephone number of local dealer or representative.
2. Name, address, and telephone number of original purchaser.
3. Date of purchase along with model and serial number of unit.
4. Nature of defect and procedures of what has been done to correct the problem.



Mountain View Hearth Products  
manuals.stove-parts-unlimited.com