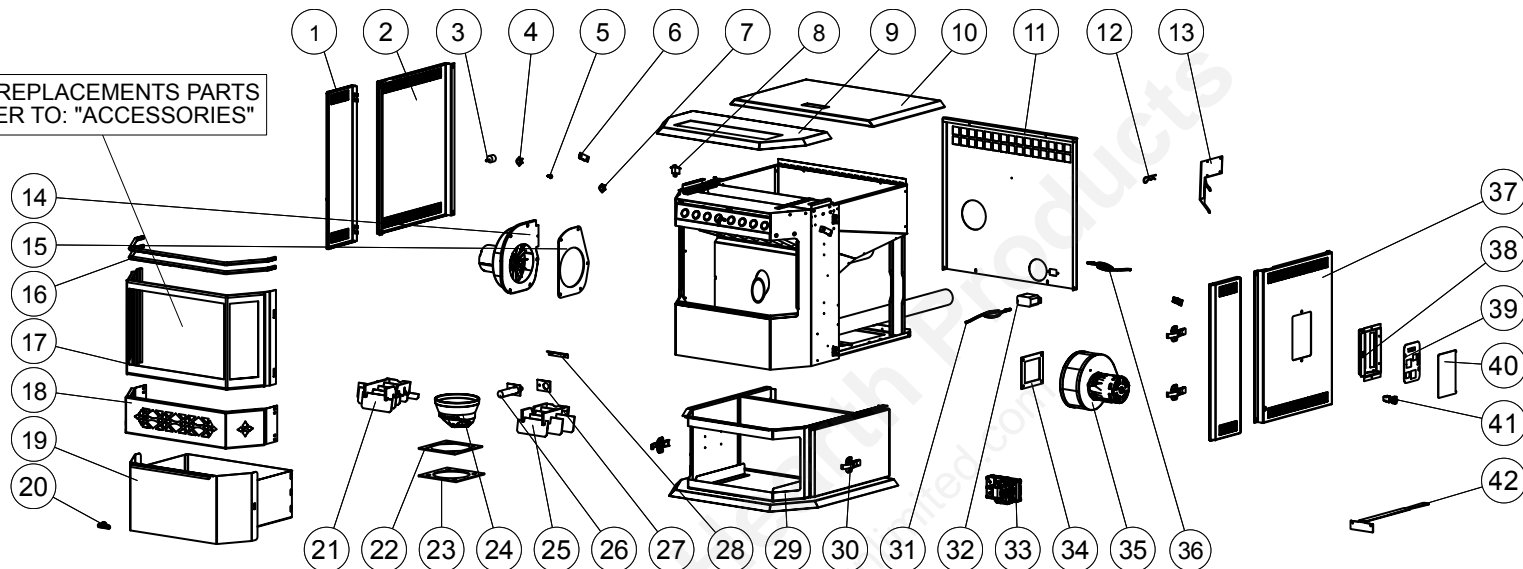


NPS45 OVERVIEW

FOR REPLACEMENTS PARTS REFER TO: "ACCESSORIES"



ITEMS MAY NOT APPEAR EXACTLY AS ILLUSTRATED

REF. NO.	PART NUMBER	DESCRIPTION	STOCKED
1	W010-1670	SIDE DOOR ASSEMBLY (X2)	
2	W475-0485	OUTER LEFT SIDE PANEL	
3	W660-0056	VACUUM SWITCH	YES
4	W660-0055	HIGH LIMIT SWITCH	YES
5	W255-0020	PRESSURE TAP FITTING	
6	W430-0013	DOOR MAGNET CATCH (X2)	YES
7	W660-0053	LOW LIMIT SWITCH	YES
8	W660-0084	MICRO SWITCH	YES
9	W010-1508	HOPPER LID	
10	W010-1529	HOPPER COVER	
11	W475-0482	OUTER REAR PANEL	
12	W485-0038	COTTER PIN	YES
13	W080-0932	MOTOR BRACKET	
14	W290-0111	COMBUSTION BLOWER GASKET	YES
15	W062-0027	COMBUSTION BLOWER	YES
16	W030-0022	ACCENT BAR (X2)	
17	GS328-1	DOOR ASSEMBLY (see accessories)	
18	W475-0555	BOTTOM TRIVET	
19	W010-1667	ASH PAN ASSEMBLY	
20	W385-0334	NAPOLEON LOGO	YES
21	W010-1685	LEFT SIDE LOUVRE ASSEMBLY	

REF. NO.	PART NUMBER	DESCRIPTION	STOCKED
22	W290-0126	BURN POT GASKET	YES
23	W665-0269	BURNER POT SUPPORT	
24	W135-0320	BURNER POT	YES
25	W010-1673	RIGHT SIDE LOUVRE ASSEMBLY	
26	W010-1949	IGNITION ASSEMBLY	YES
27	W290-0119	IGNITION GASKET	YES
28	W500-0359	BRICK RETAINER	
29	W010-3044	PEDESTAL ASSEMBLY	
30	W390-0002	DOOR LATCH MECHANISM (X4)	YES
31	W750-0215	WIRE HARNESS	YES
32	W460-0004	RECEPTACLE	
33	W435-0048	AUGER MOTOR	YES
34	W290-0113	CONVECTION BLOWER GASKET	YES
35	W062-0029	CONVECTION BLOWER	YES
36	W195-0004	POWER CORD	
37	W475-0609	OUTER RIGHT SIDE PANEL	
38	W010-1944	CONTROL HOUSING	
39	W190-0047	ELECTRONIC CONTROL	YES
40	W010-1528	CONTROL DOOR	
41	W390-0012	CONTROL PANEL LATCH	
42	W600-0002	PELLET SHOVEL TOOL	