

<h1>HOW TO REPLACE CONVECTION BLOWER</h1>	Document #		Model Name and Number		
	HT00159-A		OSBURN 2500 (OP00025)		
	Document Version		Serial Number		Date
	01	100	to	...	04-12-2017

**WARNING**

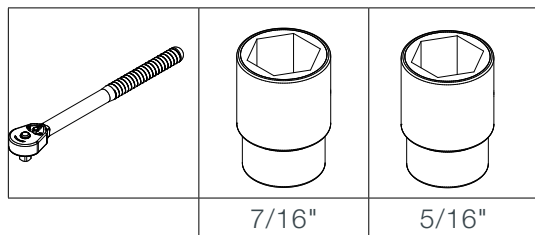
**NEVER MANIPULATE OR REPLACE A COMPONENT WHEN THE STOVE IS HOT.**

**DANGER**

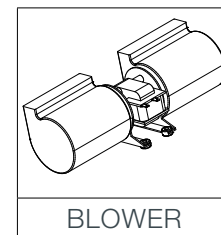
**DISCONNECT ALL SOURCE OF POWER BEFORE MANIPULATING OR REPLACING A COMPONENT.**

For part numbers visit our web site <https://www.osburn-mfg.com/en/replacement-parts/> For more information, contact us at 418-908-8002 or by email at [tech@sbi-international.com](mailto:tech@sbi-international.com)

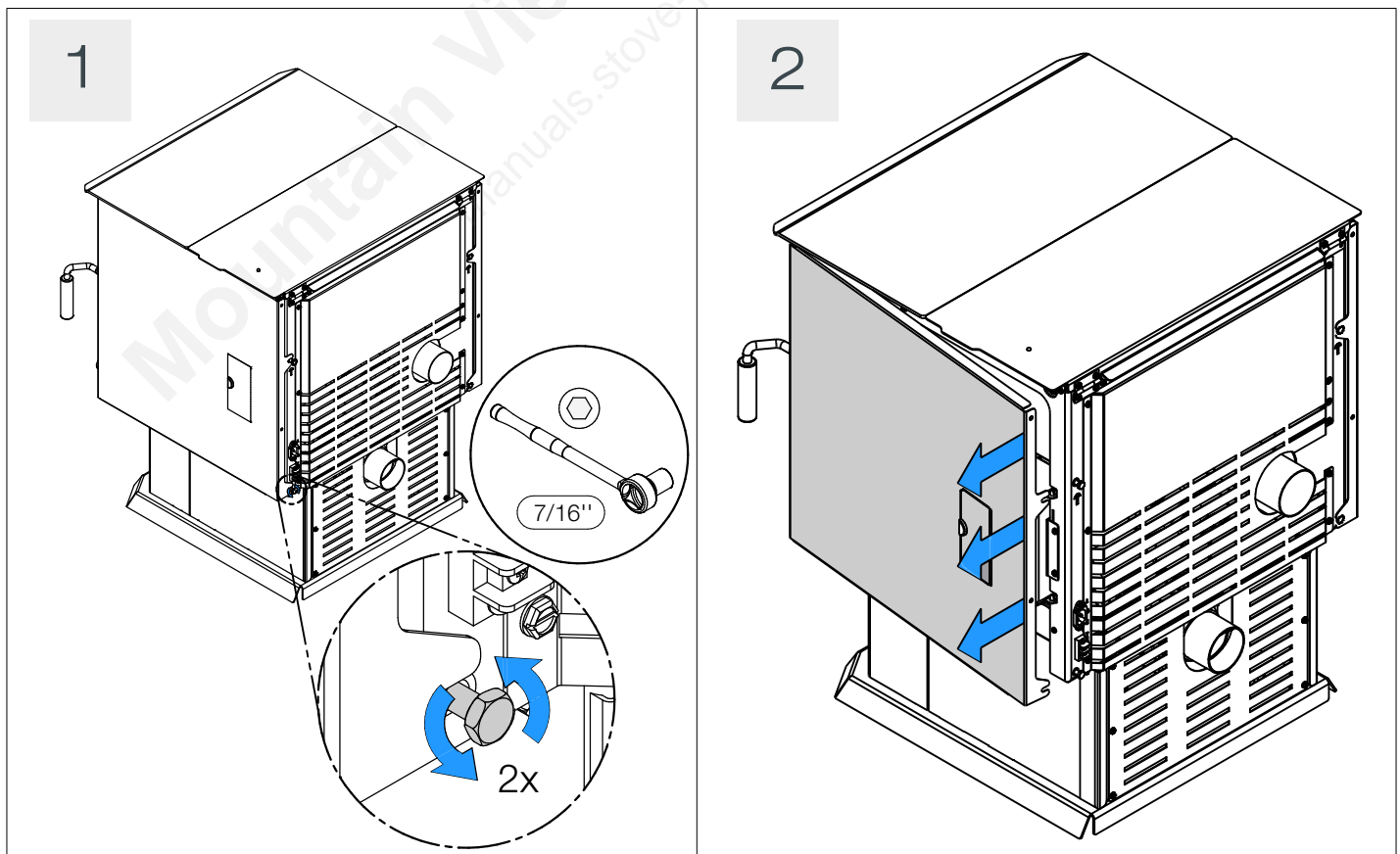
TOOL(S) REQUIRED :



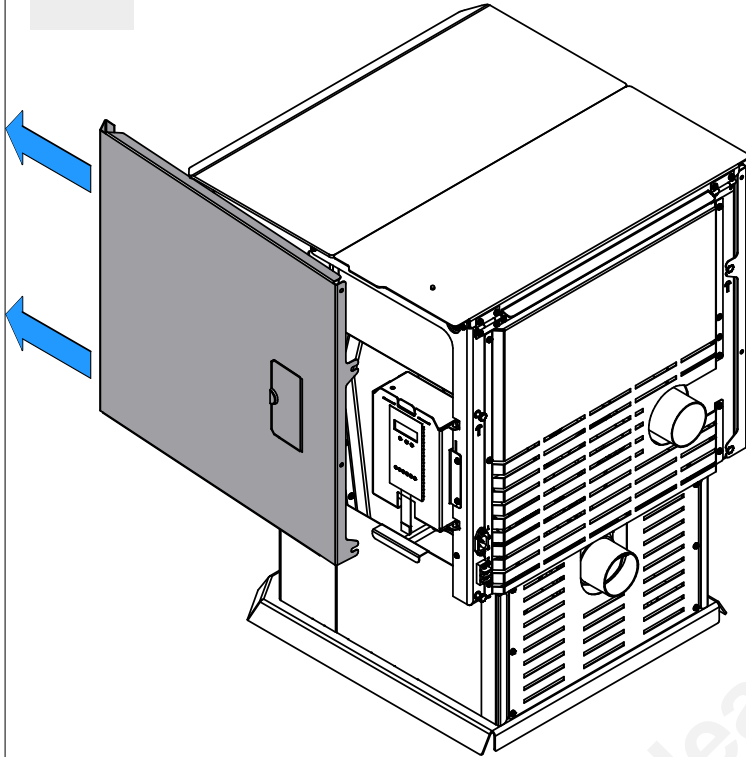
PART(S) REQUIRED :



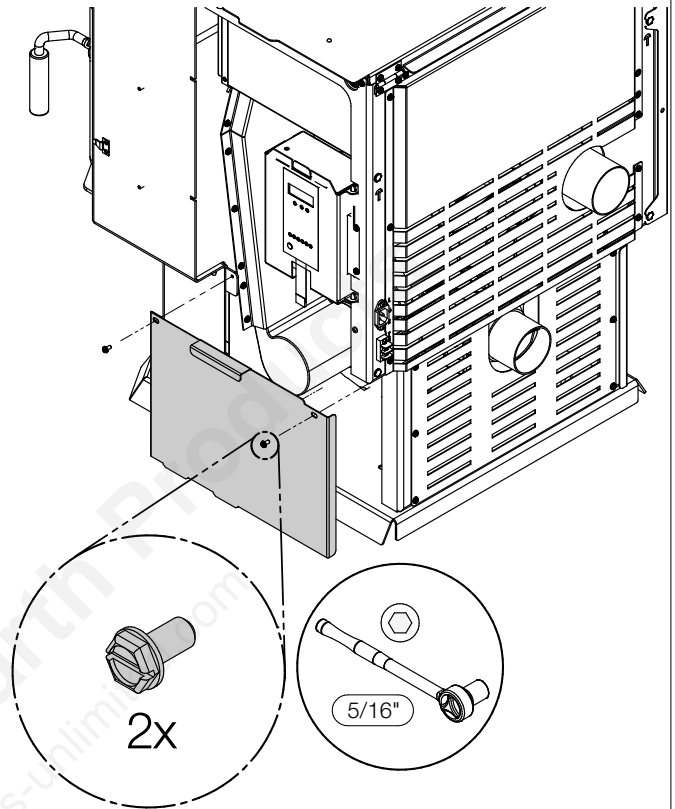
PROCEDURE :



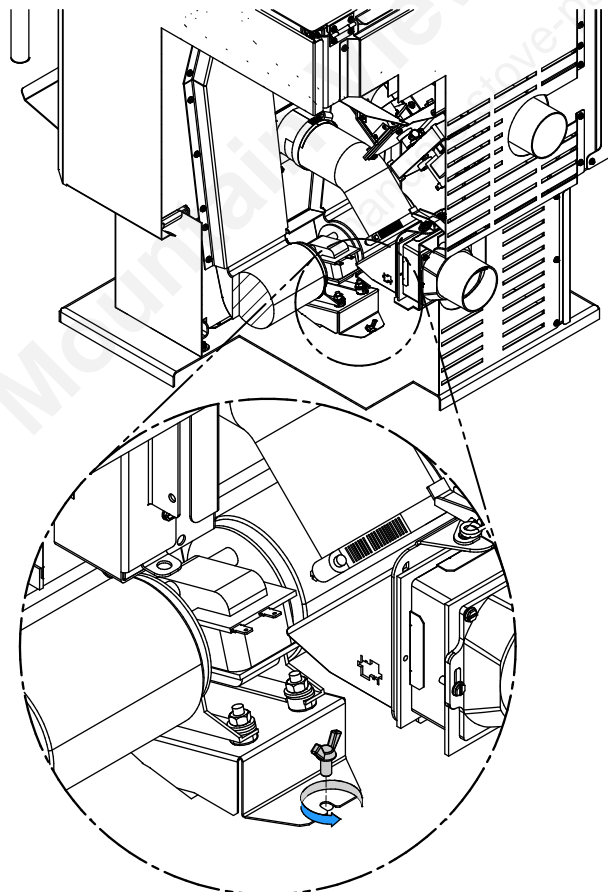
3



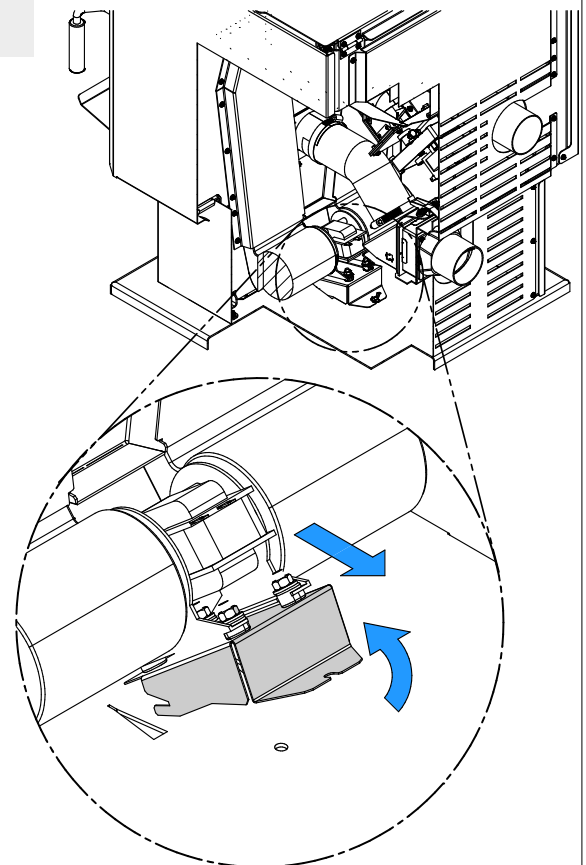
4



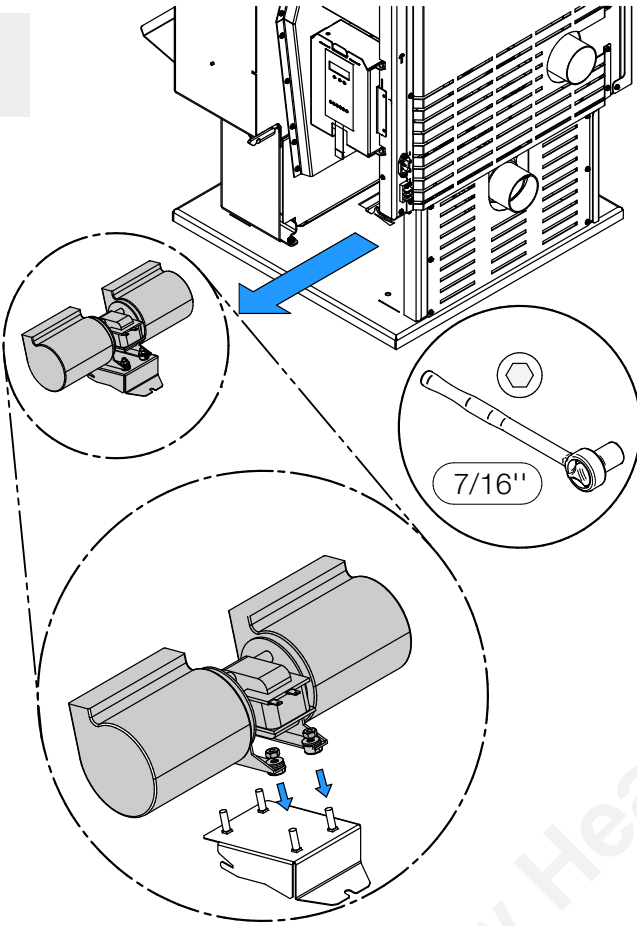
5



6



7



8

Follow previous steps in reverse order to reinstall.

Mountain View Hearth Products  
manuals.stove-parts-unlimited.com