

# HOW TO REPLACE EXHAUST BLOWER

Document #

HT00160-A

Document Version

01

Model Name and Number

OSBURN 2500 (OP00025)

Serial Number

100

to

...

Date

01-12-2017

## WARNING



**NEVER MANIPULATE OR REPLACE A COMPONENT WHEN THE STOVE IS HOT.**

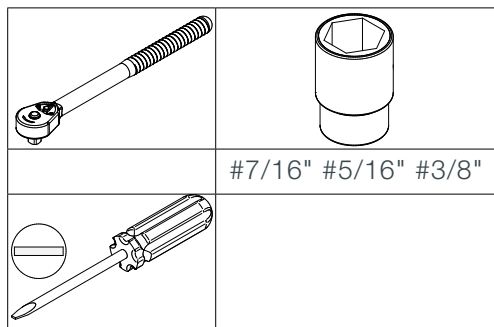
## DANGER



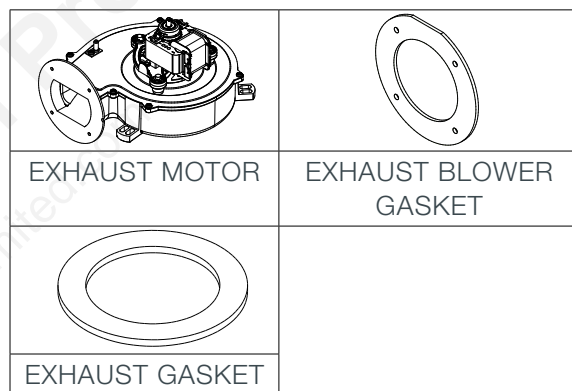
**DISCONNECT ALL SOURCE OF POWER BEFORE MANIPULATING OR REPLACING A COMPONENT.**

For part numbers visit our web site <https://www.osburn-mfg.com/en/replacement-parts/> For more information, contact us at 418-908-8002 or by email at [tech@sbi-international.com](mailto:tech@sbi-international.com)

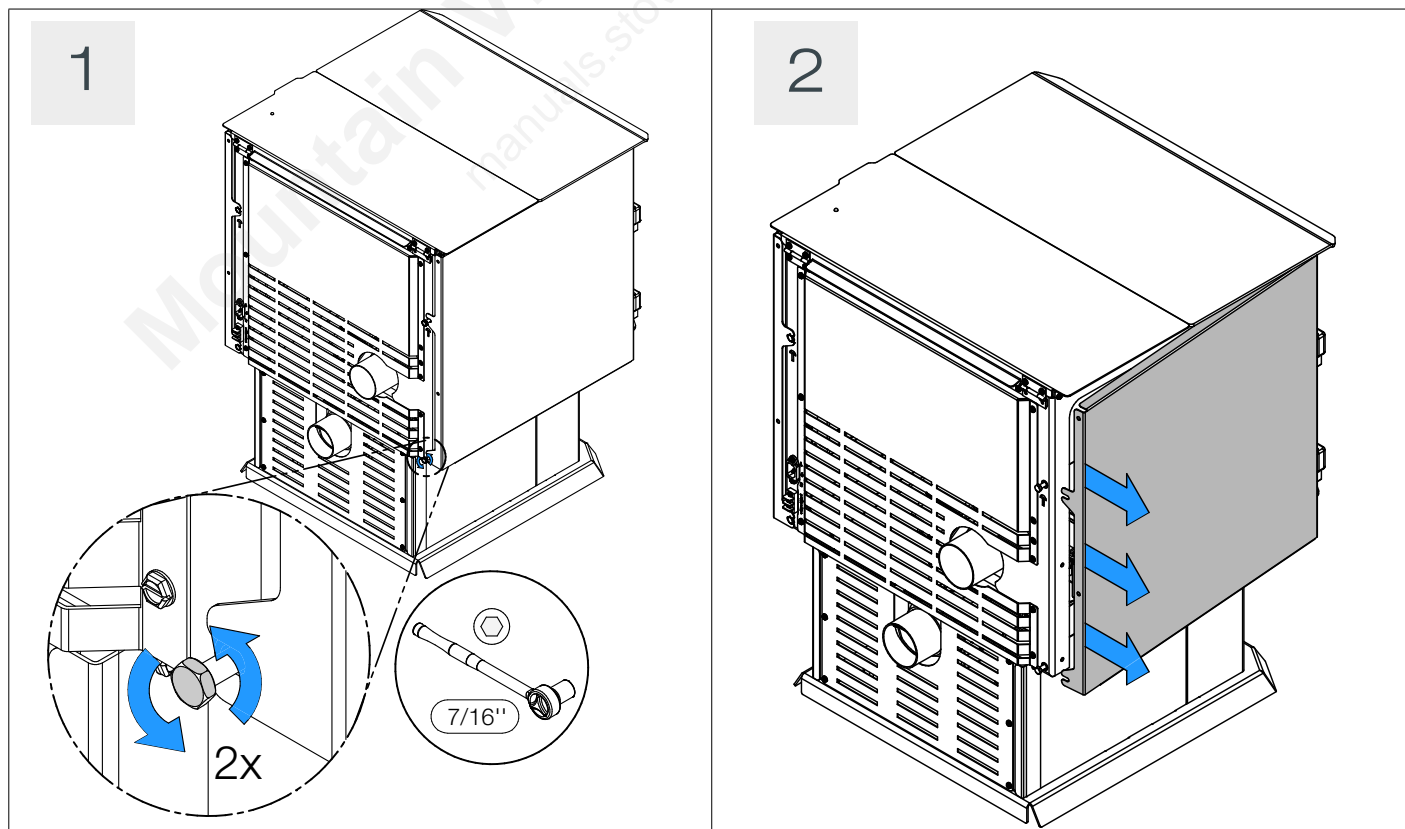
### TOOL(S) REQUIRED :



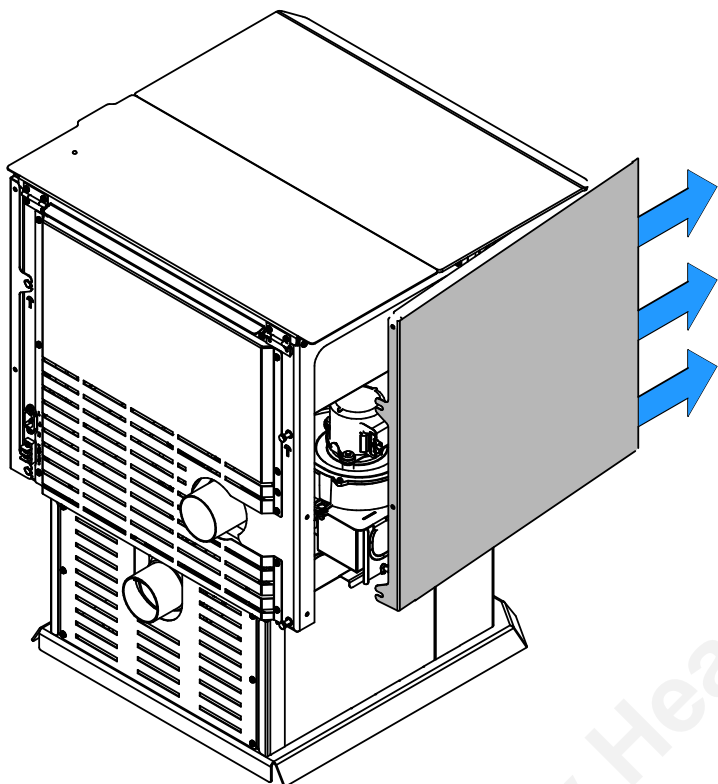
### PART(S) REQUIRED :



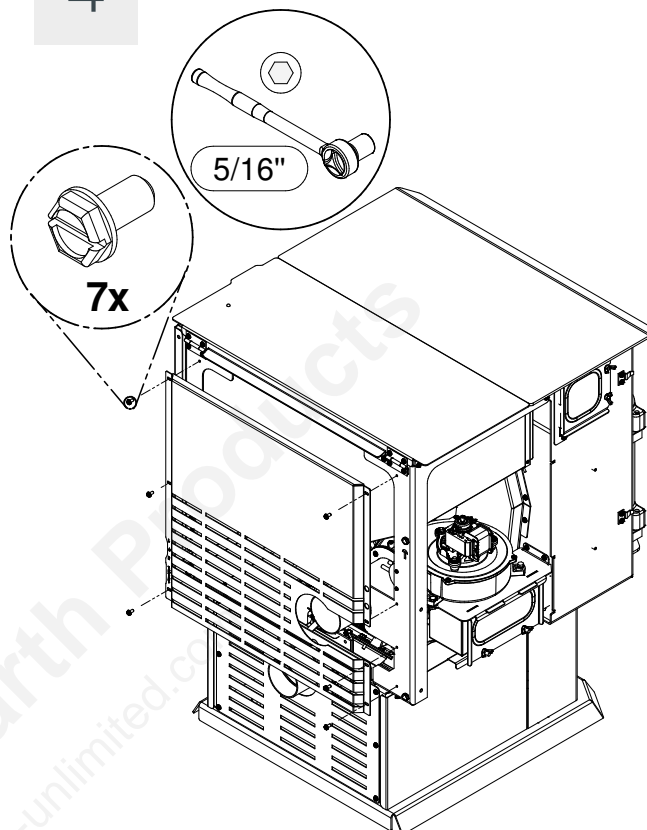
### PROCEDURE :



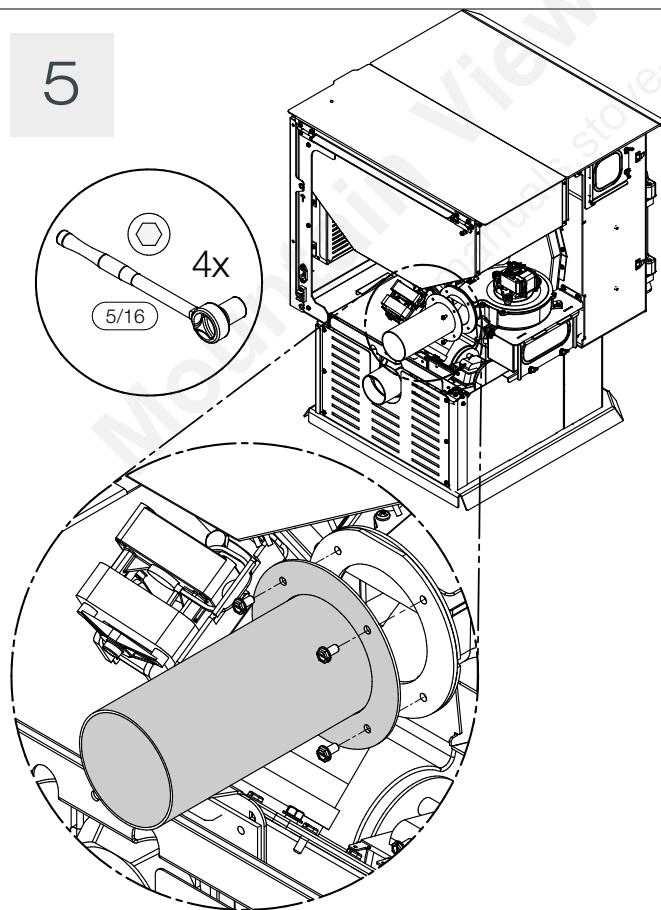
3



4

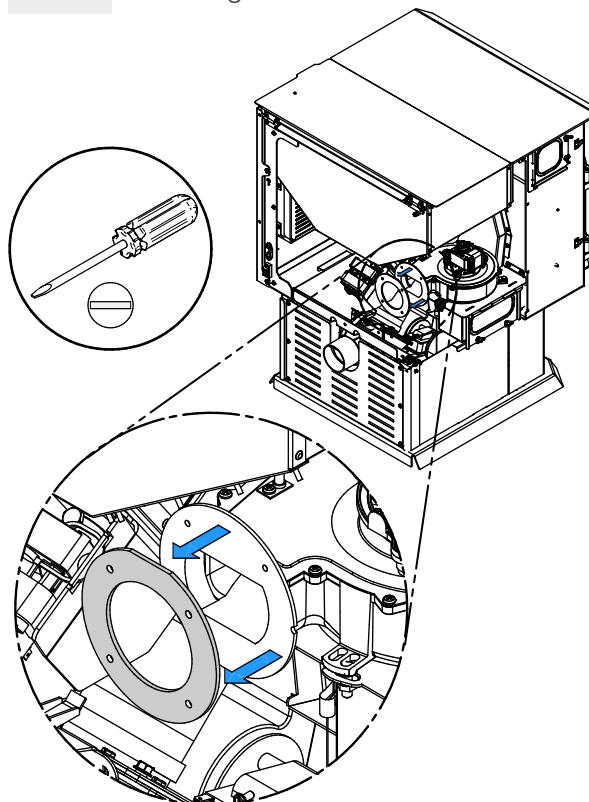


5

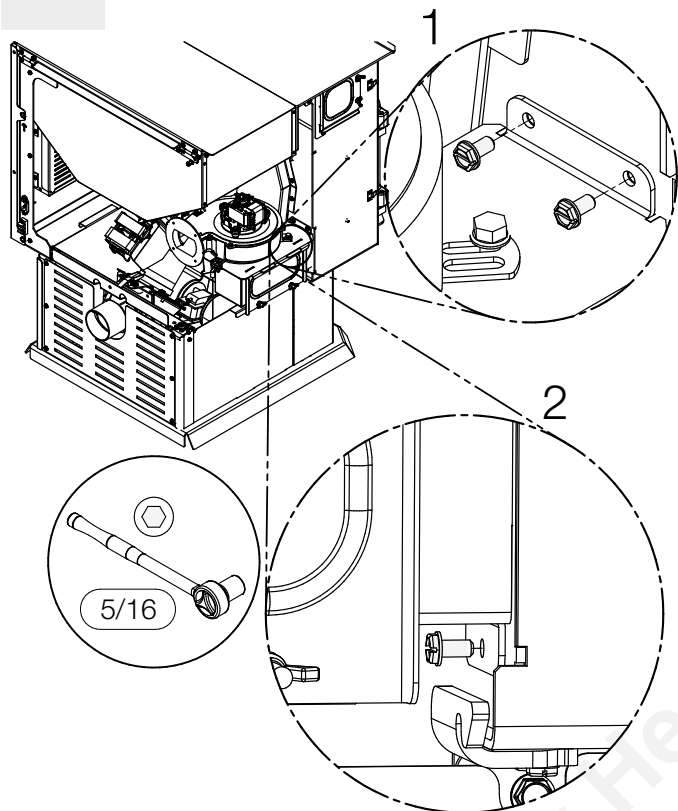


6

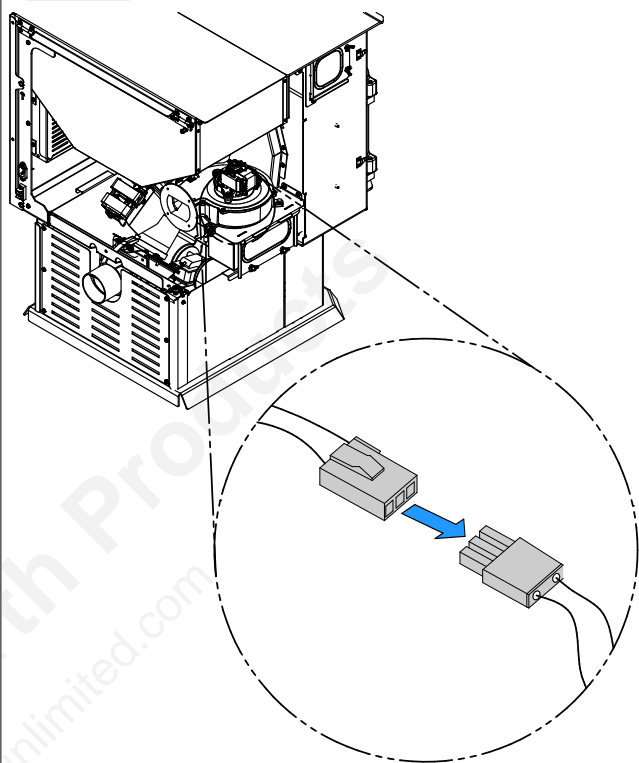
Use the screwdriver to remove the blower gasket.



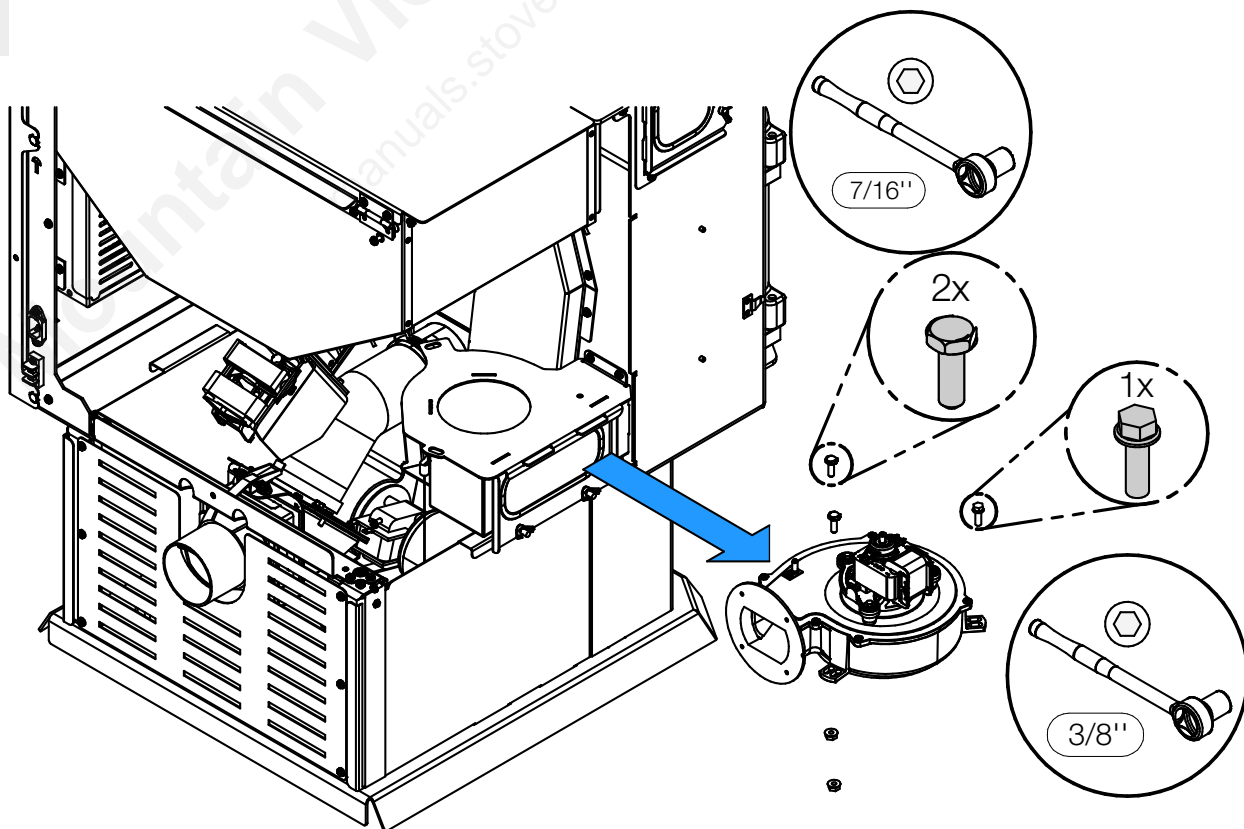
7



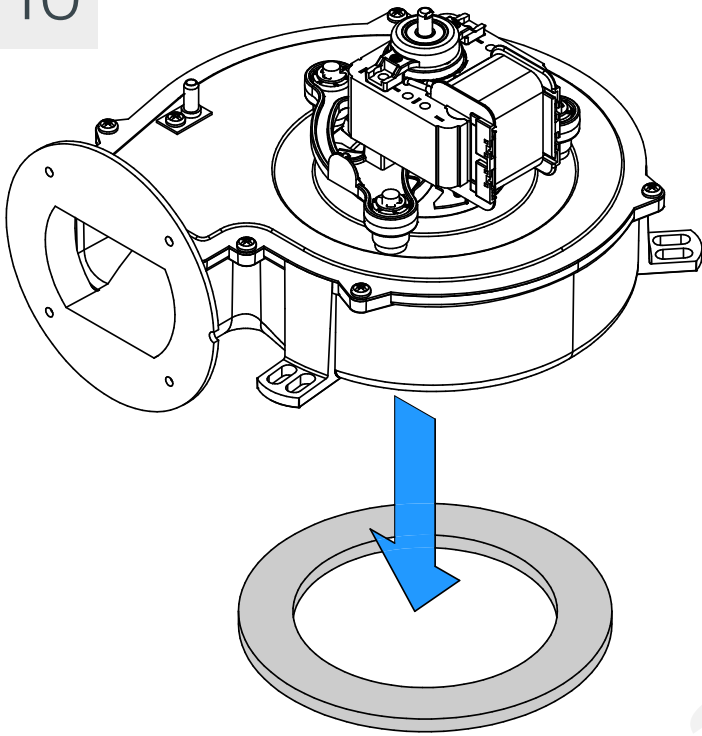
8



9



10



11 Install the gasket on the exhaust blower before to replace it on the pellet stove.