

HOW TO ACCESS FUSES	Document #	Model Name and Number			
	HT00153-A	OSBURN 2500 (OP00025)			
	Document Version	Serial Number		Date	
	01	100	to	...	29-11-2017

WARNING

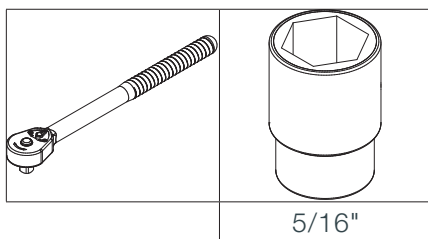
NEVER MANIPULATE OR REPLACE A COMPONENT WHEN THE STOVE IS HOT.

DANGER

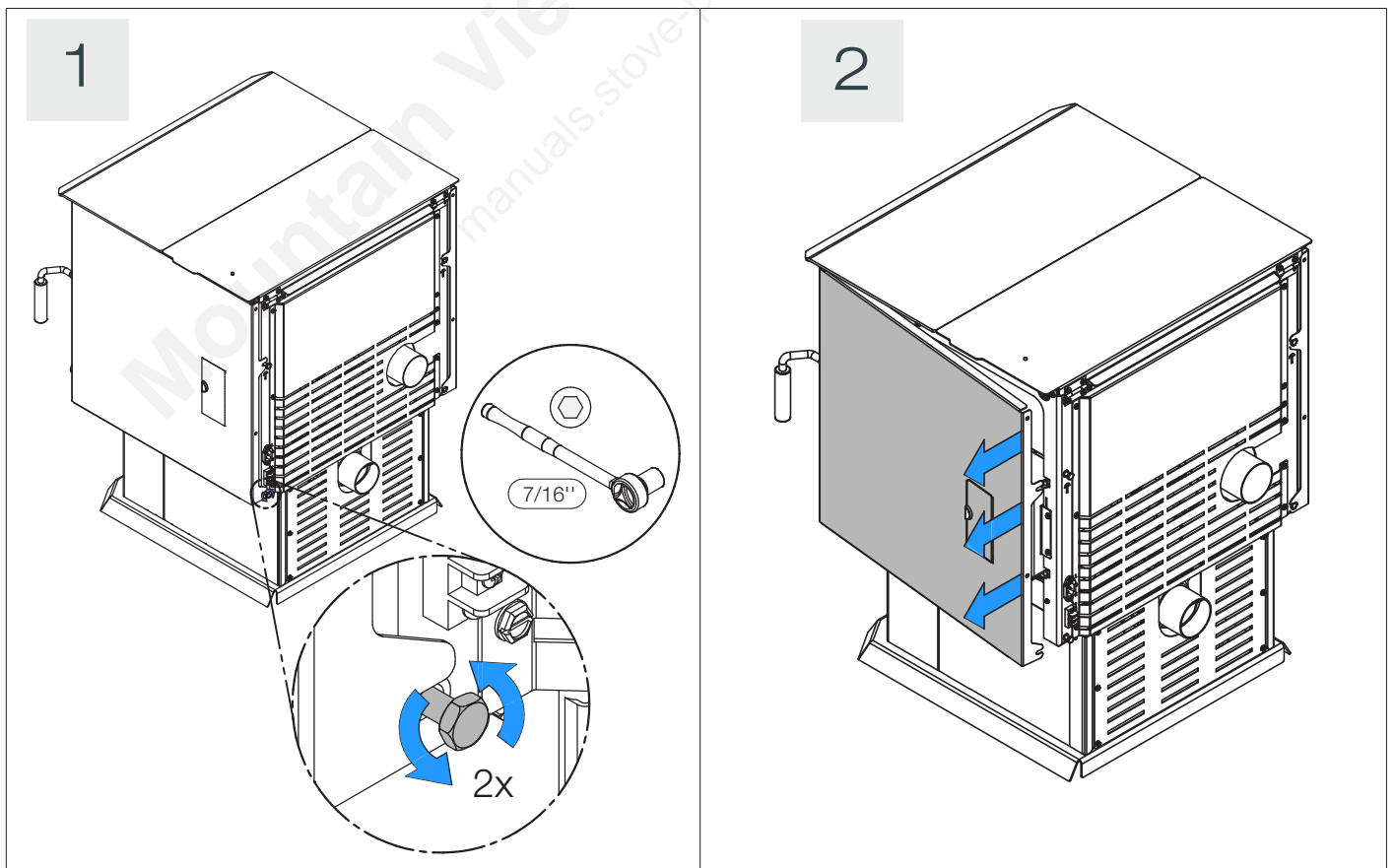
DISCONNECT ALL SOURCE OF POWER BEFORE MANIPULATING OR REPLACING A COMPONENT.

For part numbers visit our web site <https://www.osburn-mfg.com/en/replacement-parts/> For more information, contact us at 418-908-8002 or by email at tech@sbi-international.com

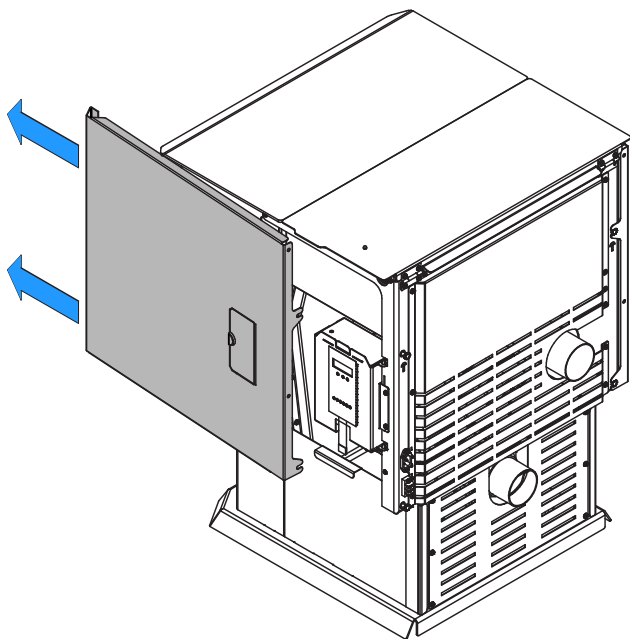
TOOL(S) REQUIRED :



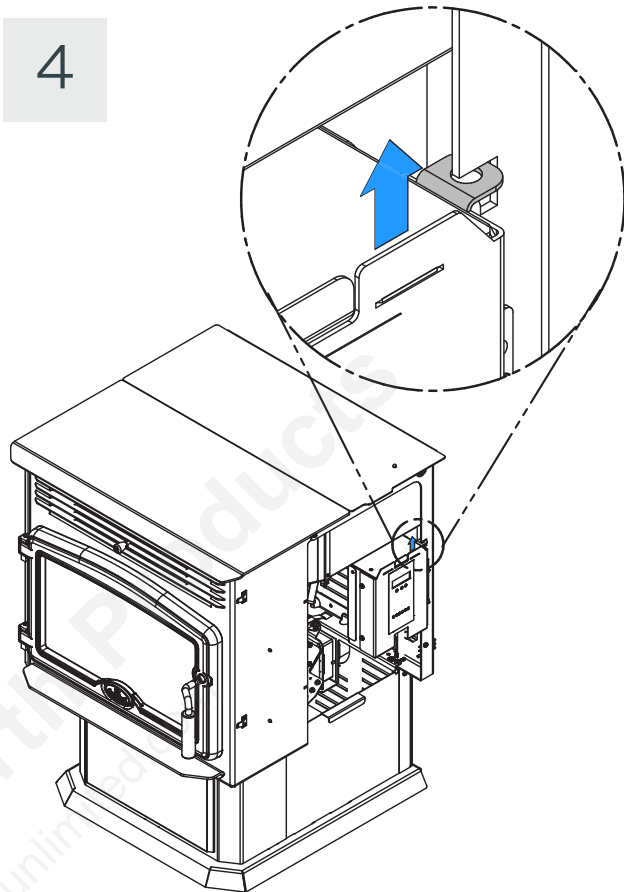
PROCEDURE :



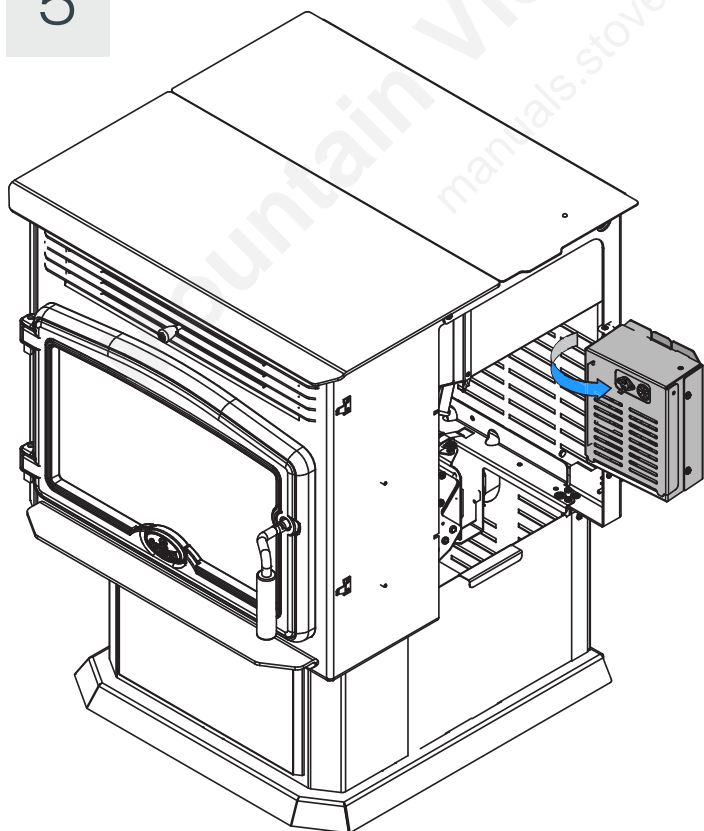
3



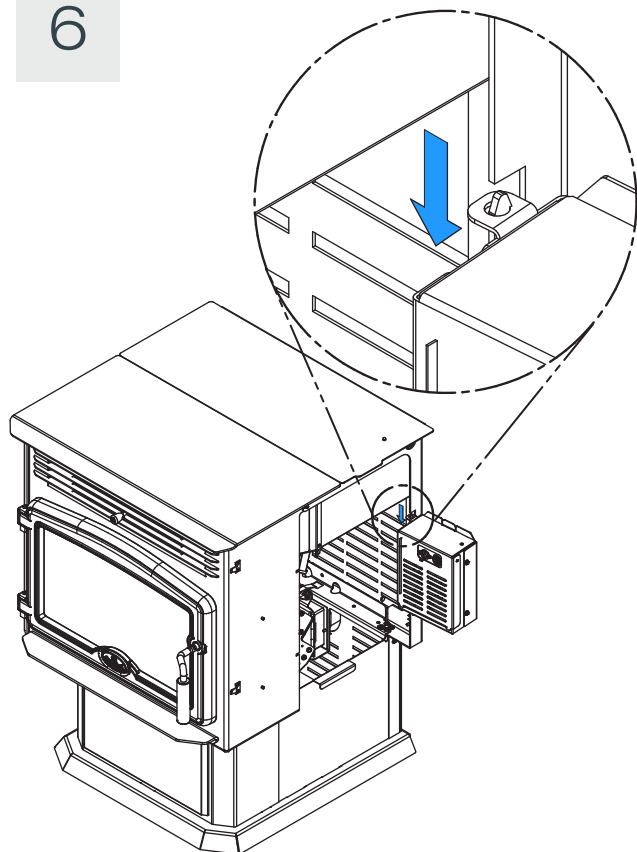
4



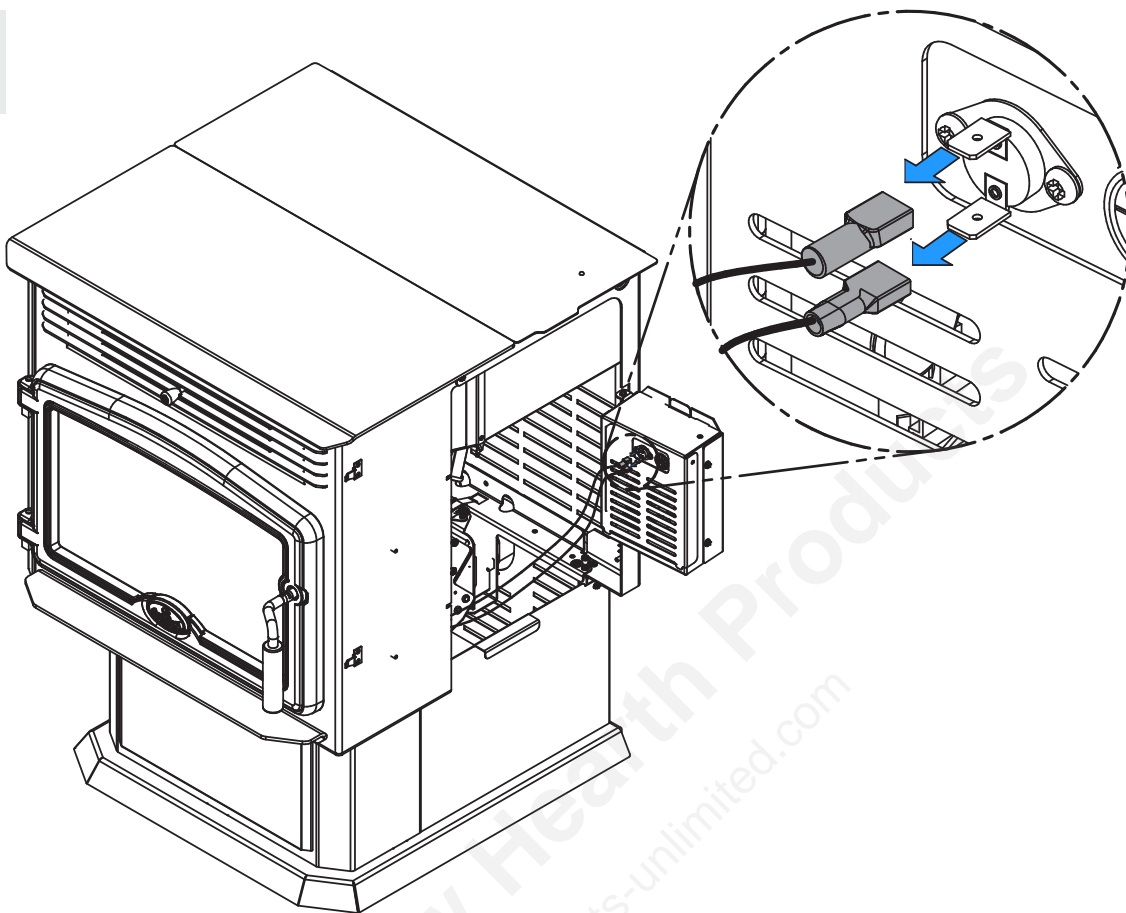
5



6



7



8

