


<h1>HOW TO REPLACE THE EXHAUST BLOWER</h1>	Document #		Model Name and Number			
	HT00149A		OSBURN 3000			
	Document Version			Serial Number		Date
	1.0			100	to	...

**WARNING**



**NEVER MANIPULATE OR REPLACE A COMPONENT WHEN THE STOVE IS HOT.**

**DANGER**

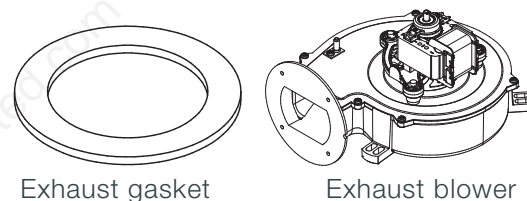
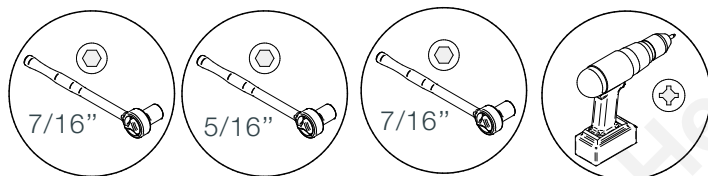


**DISCONNECT ALL SOURCE OF POWER BEFORE MANIPULATING OR REPLACING A COMPONENT.**

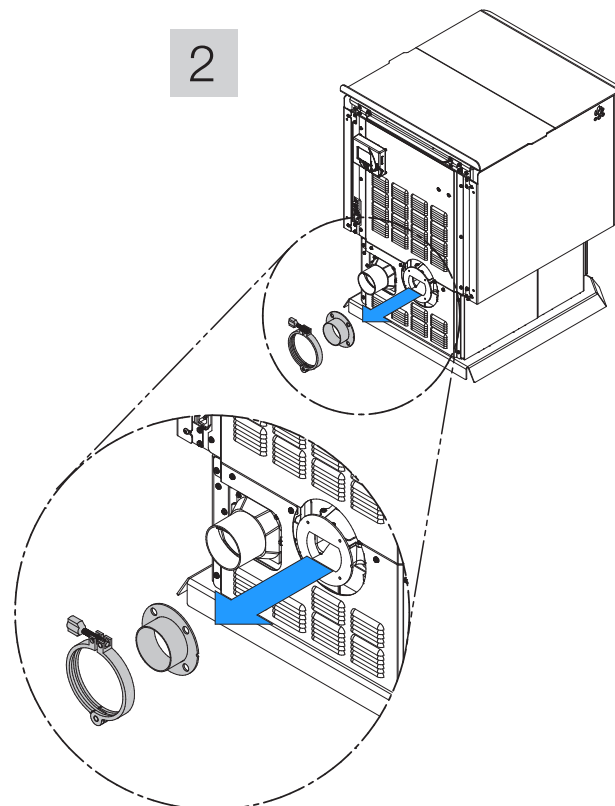
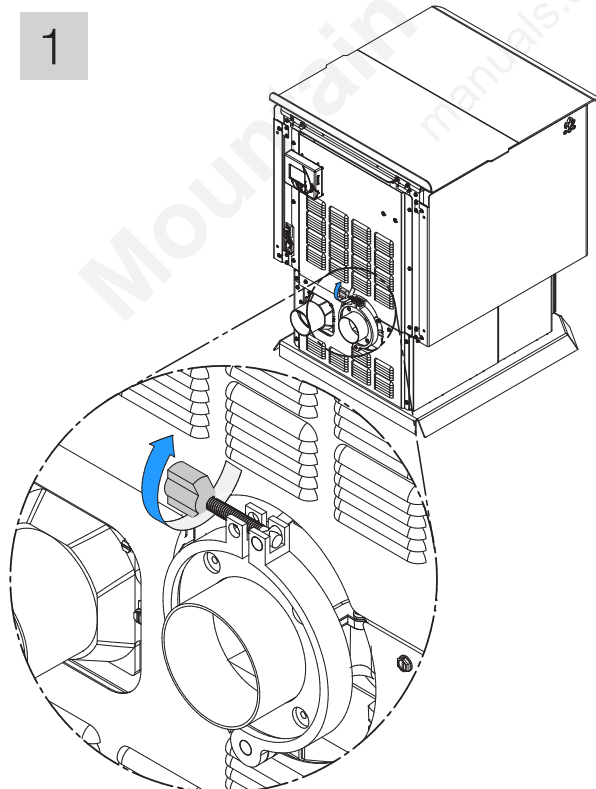
For part numbers visit our web site <https://www.osburn-mfg.com/en/replacement-parts/>  
 For more information, contact us at 418-908-8002 or by email at [tech@sbi-international.com](mailto:tech@sbi-international.com)

TOOL(S) REQUIRED :

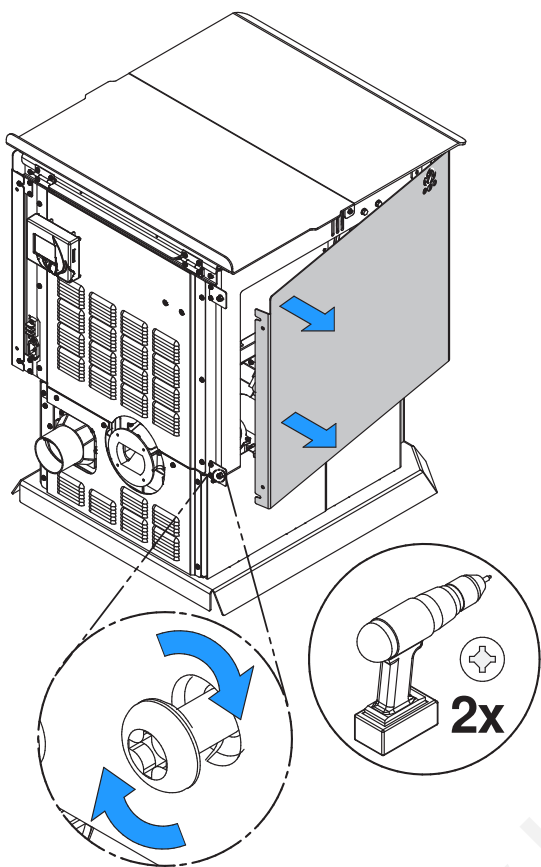
PART(S) REQUIRED :



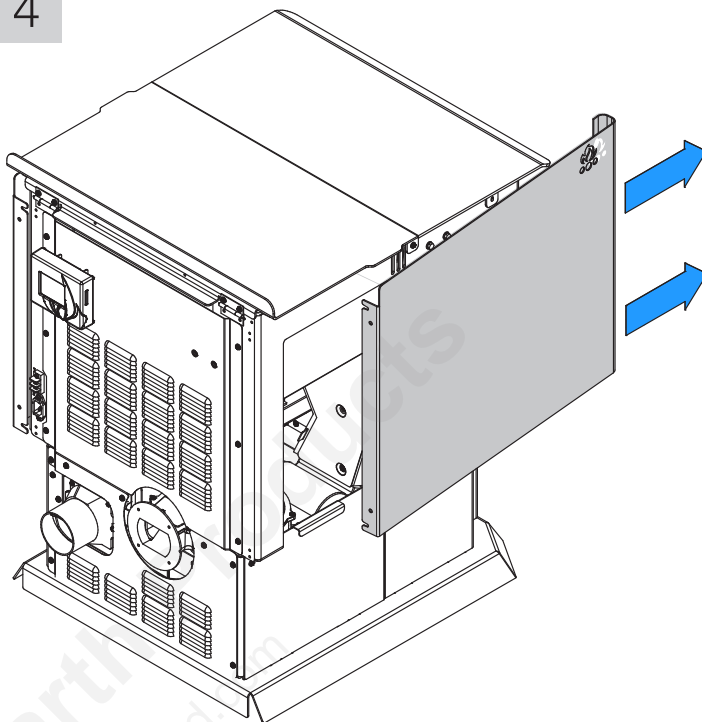
PROCEDURE :



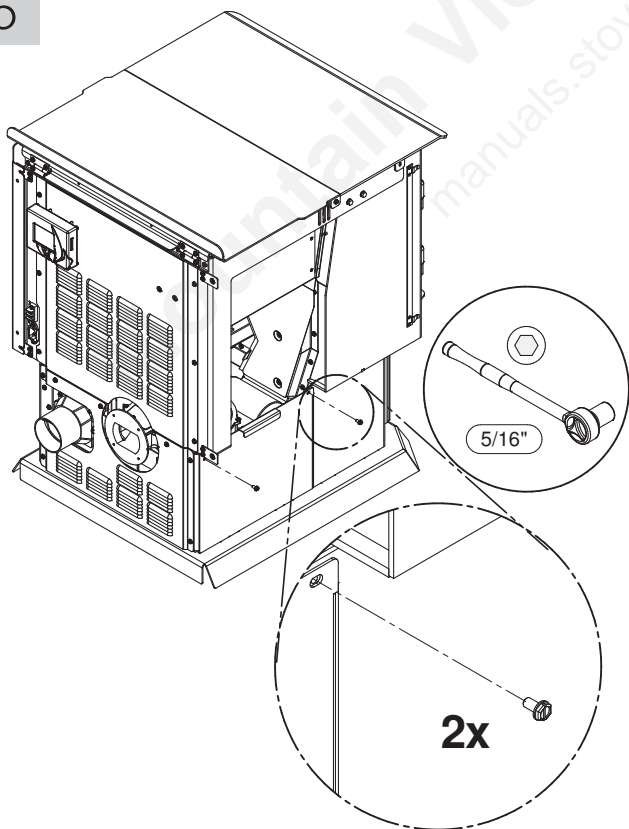
3



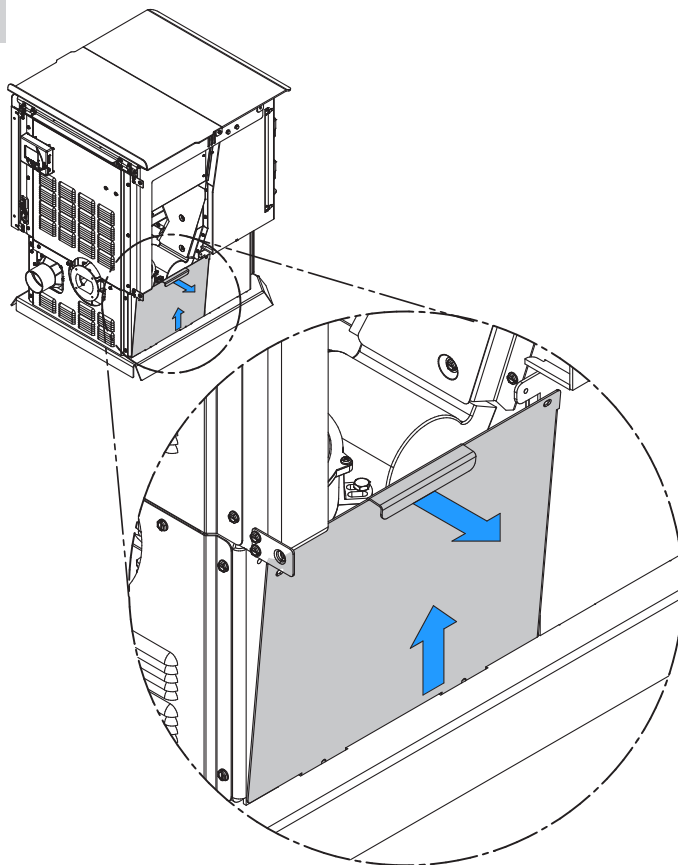
4



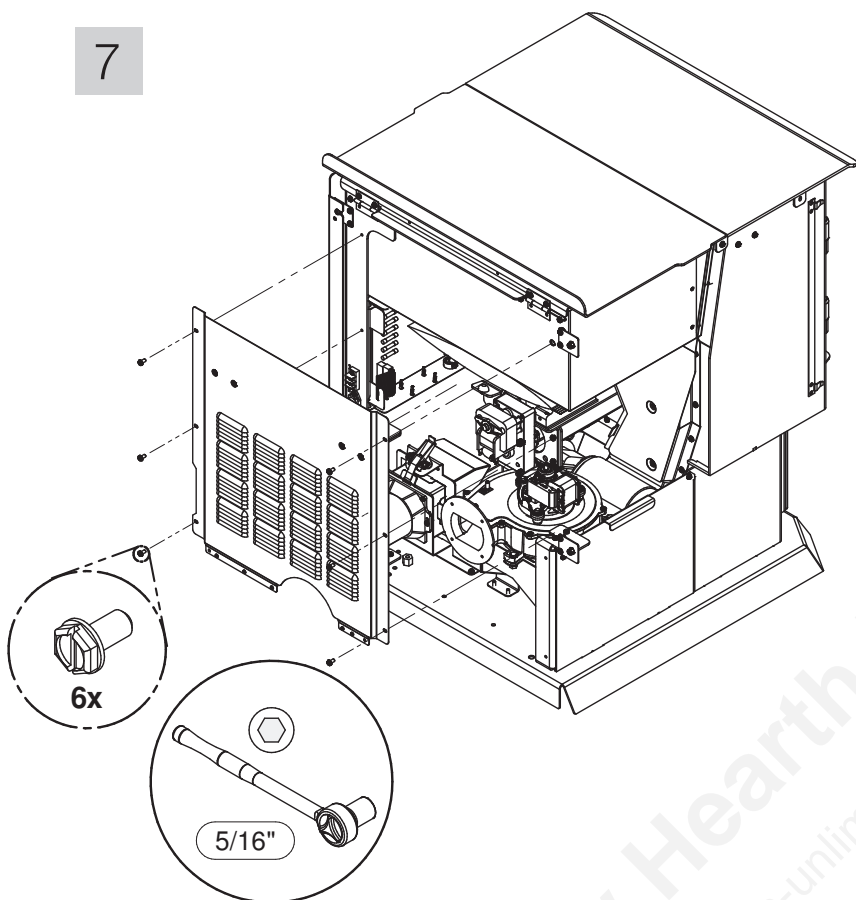
5



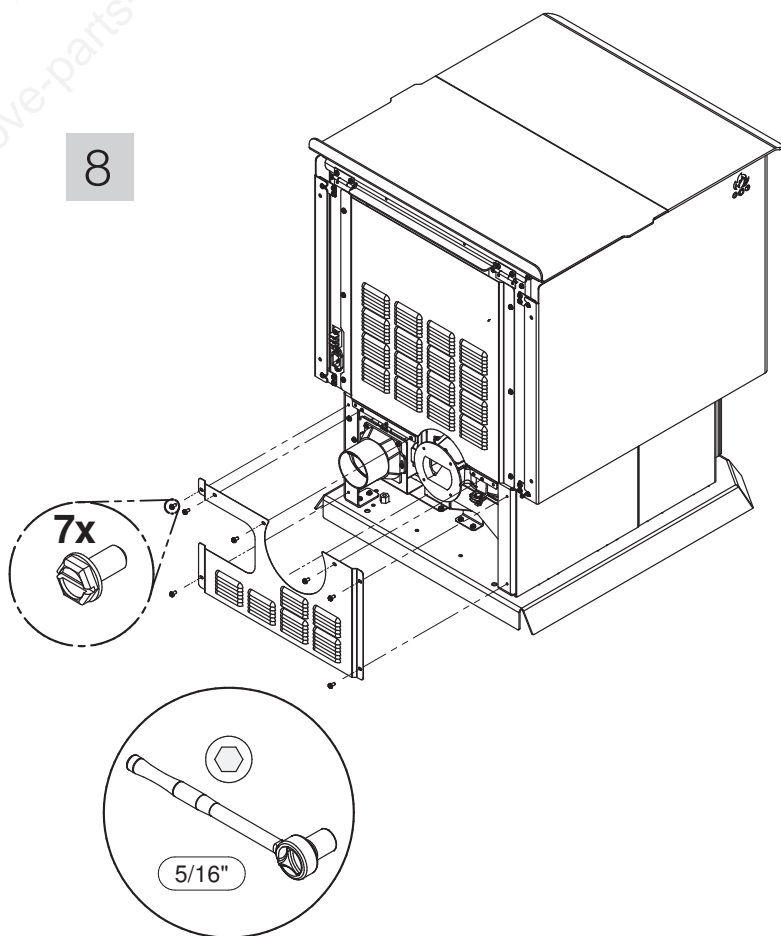
6



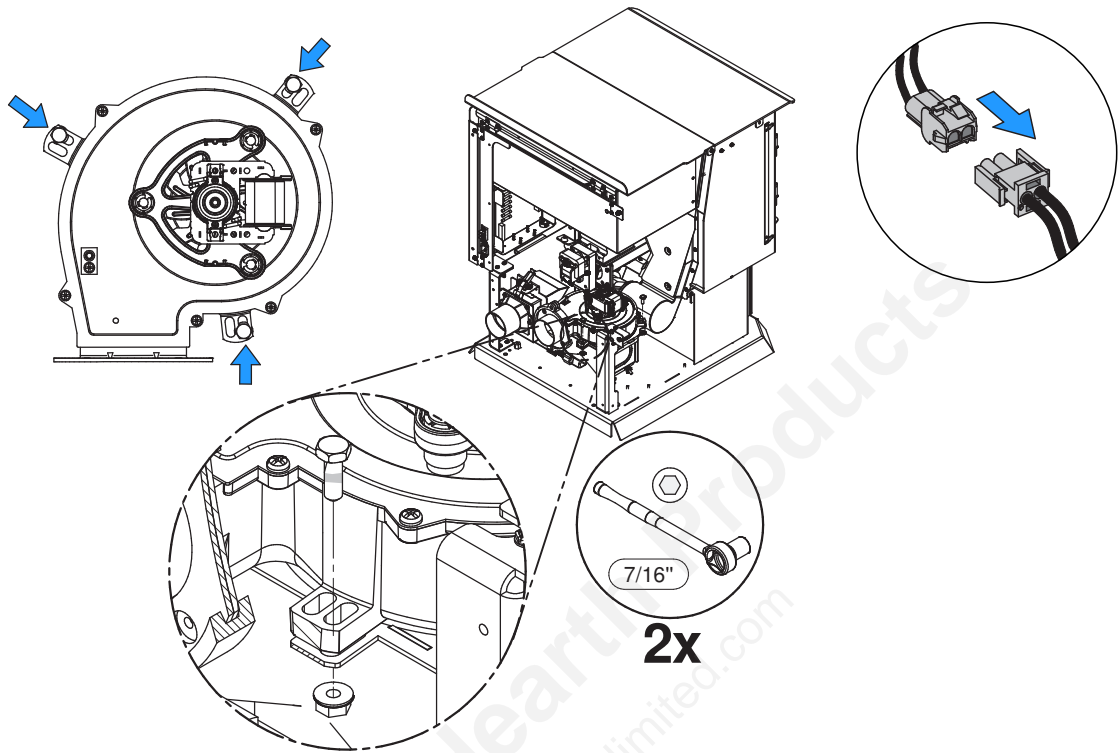
7



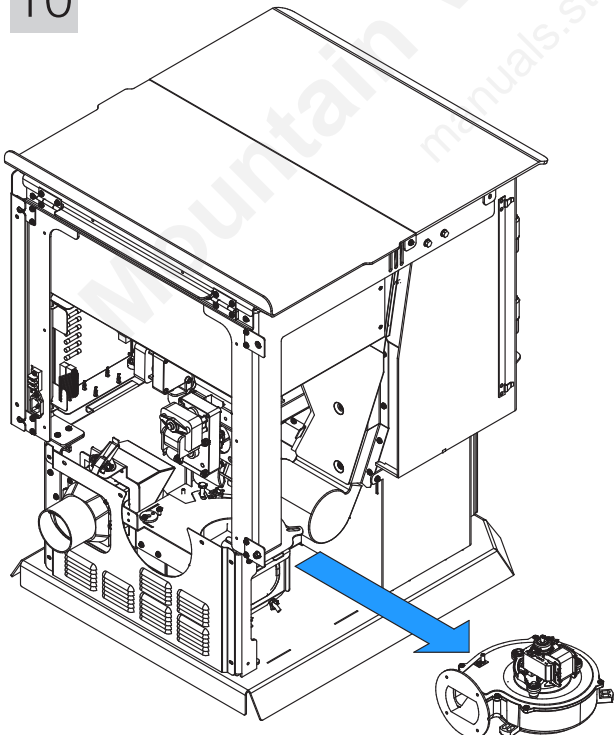
8



9



10



11

