

HOW TO REPLACE IGNITOR	Document #	Model Name and Number			
	HT00145A	OSBURN 3000			
	Document Version	Serial Number		Date	
	1.0	100	to	...	12-09-2017

WARNING

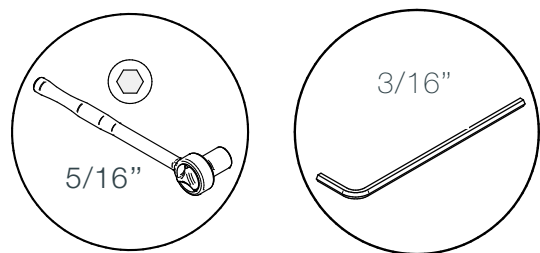
NEVER MANIPULATE OR REPLACE A COMPONENT WHEN THE STOVE IS HOT.

DANGER

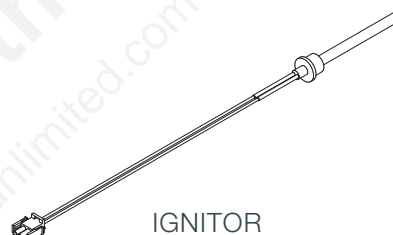
DISCONNECT ALL SOURCE OF POWER BEFORE MANIPULATING OR REPLACING A COMPONENT.

For part numbers visit our web site <https://www.osburn-mfg.com/en/replacement-parts/>
 For more information, contact us at 418-908-8002 or by email at tech@sbi-international.com

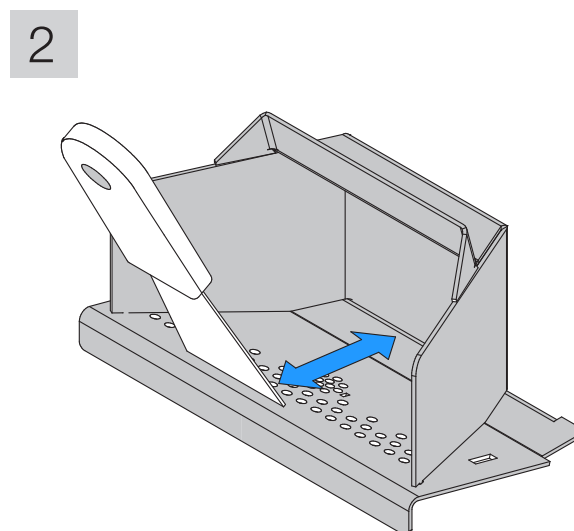
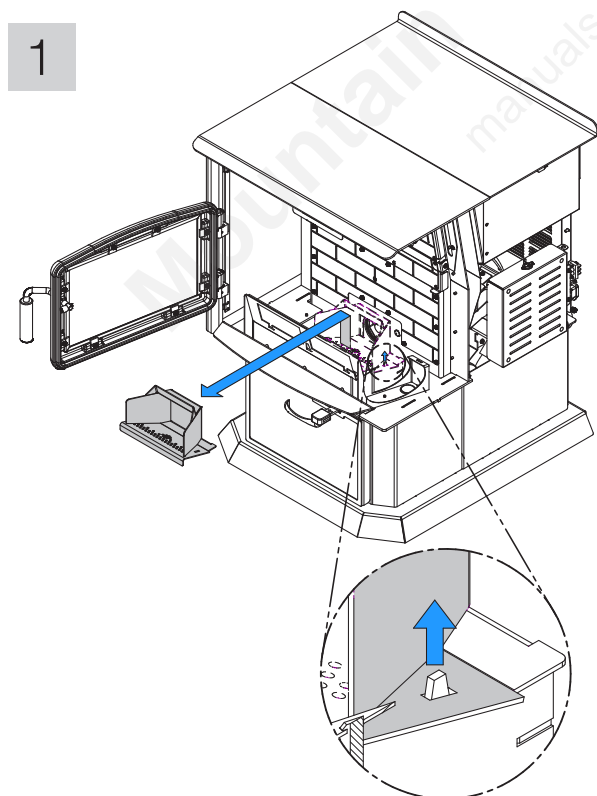
TOOL(S) REQUIRED :



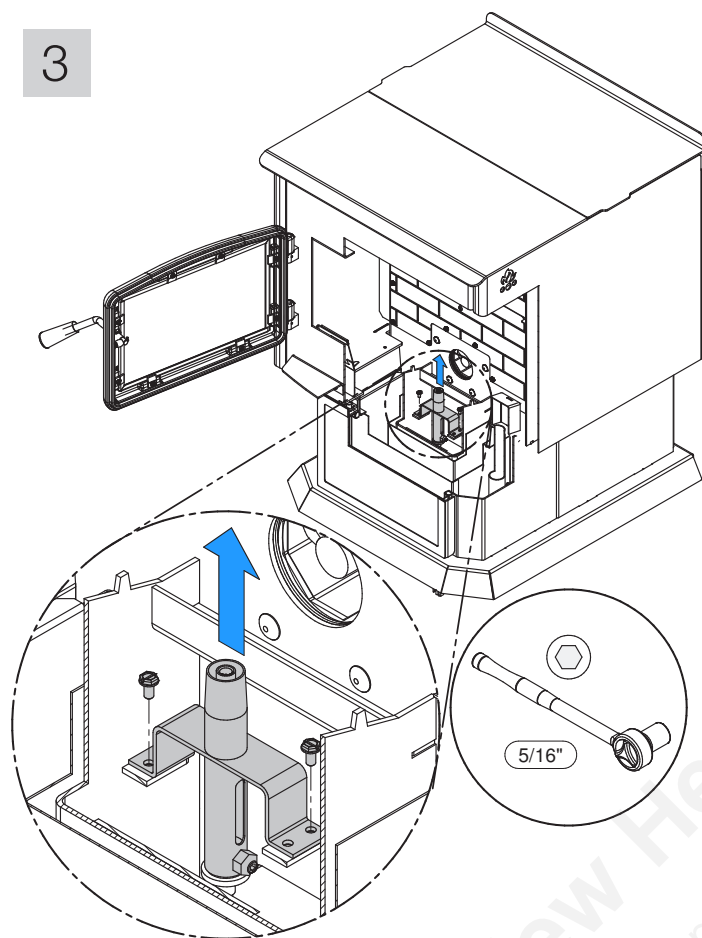
PART(S) REQUIRED :



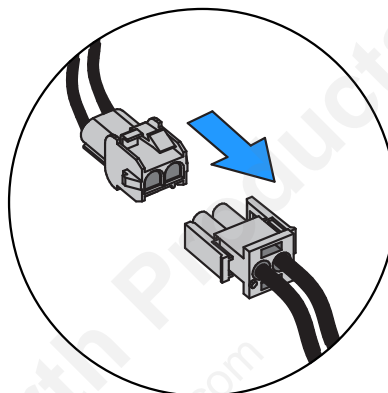
PROCEDURE :



3



Pull the igniter upwards to gain access to the connector



When the new igniter is in place, pull the wires inside the stove to bring the connector back into place.

4

