

| | | | | | |
|--|------------------|--|-----------------------|----|------|
| <h1>HOW TO REPLACE L-250 THERMODISC</h1> | Document # | | Model Name and Number | | |
| | HT00148A | | OSBURN 3000 | | |
| | Document Version | | Serial Number | | Date |
| | 1.0 | | 100 | to | ... |

WARNING

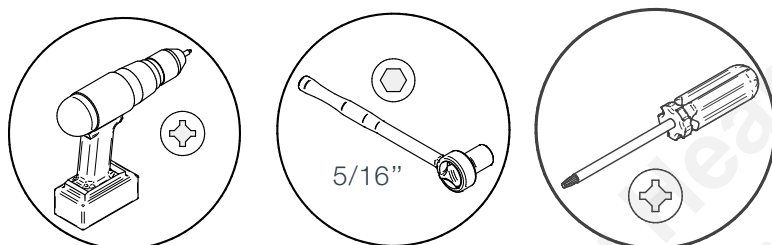
NEVER MANIPULATE OR REPLACE A COMPONENT WHEN THE STOVE IS HOT.

DANGER

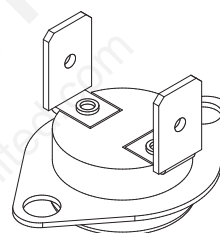
DISCONNECT ALL SOURCE OF POWER BEFORE MANIPULATING OR REPLACING A COMPONENT.

For part numbers visit our web site <https://www.osburn-mfg.com/en/replacement-parts/>
 For more information, contact us at 418-908-8002 or by email at tech@sbi-international.com

TOOL(S) REQUIRED :

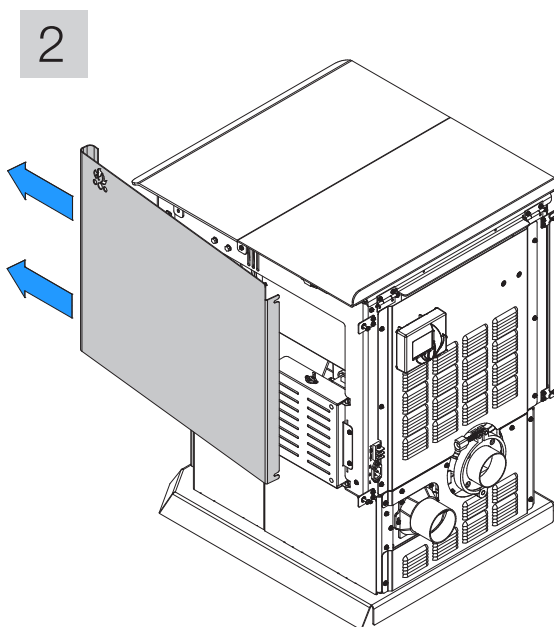
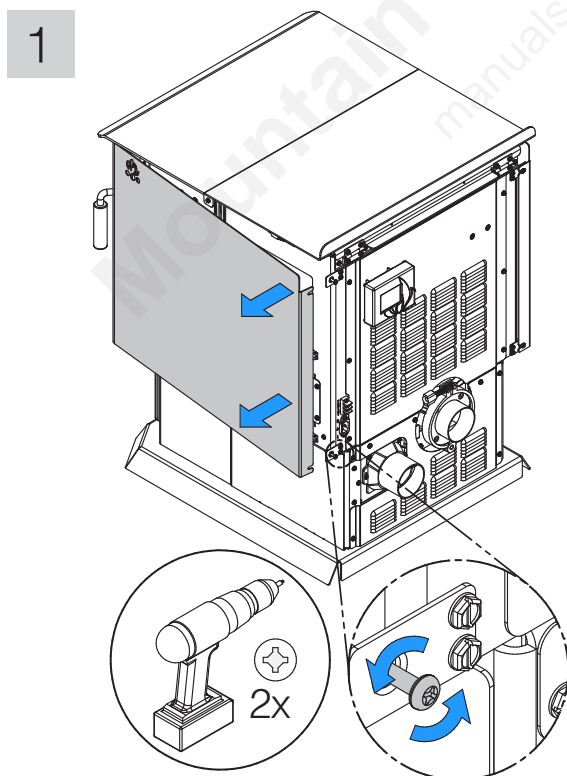


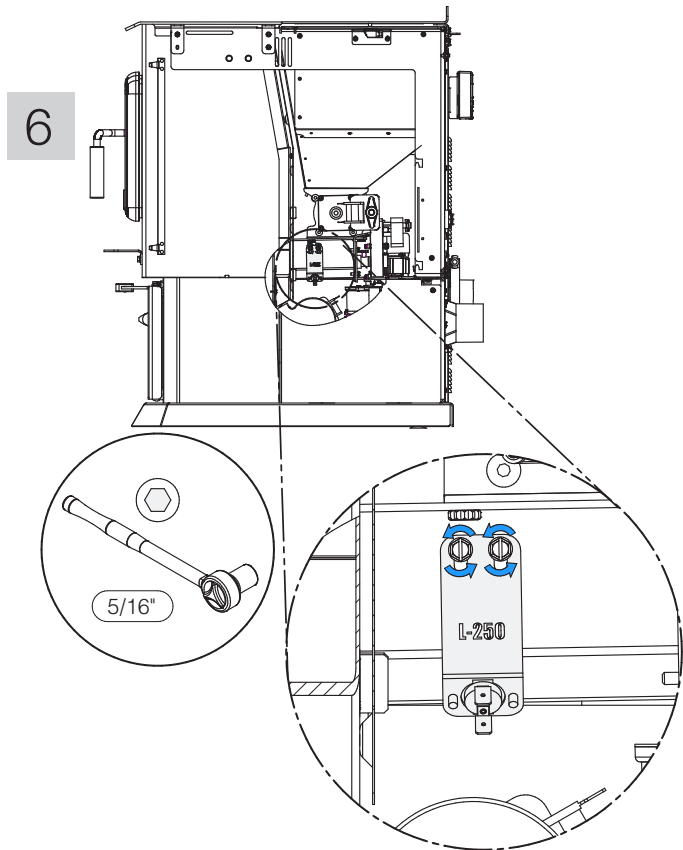
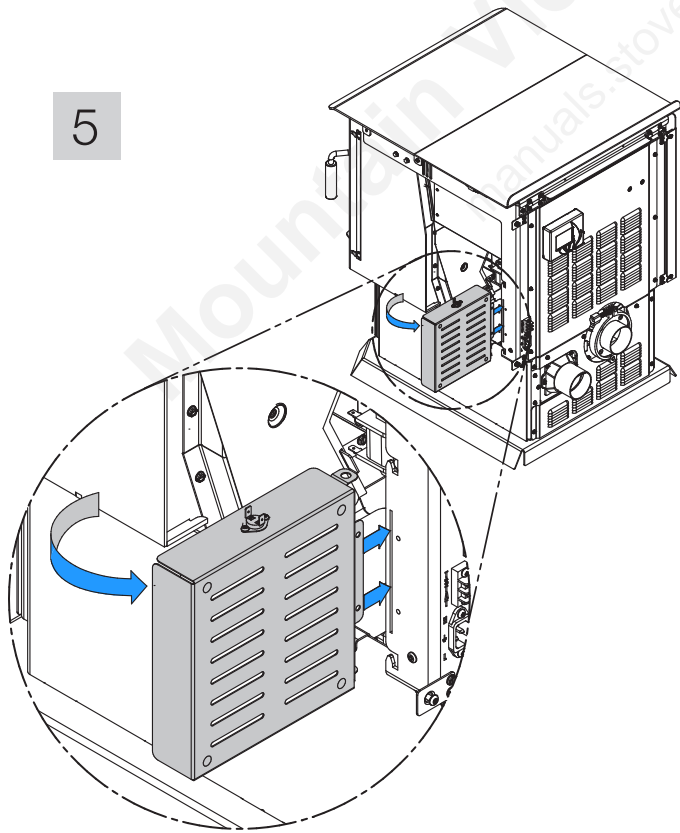
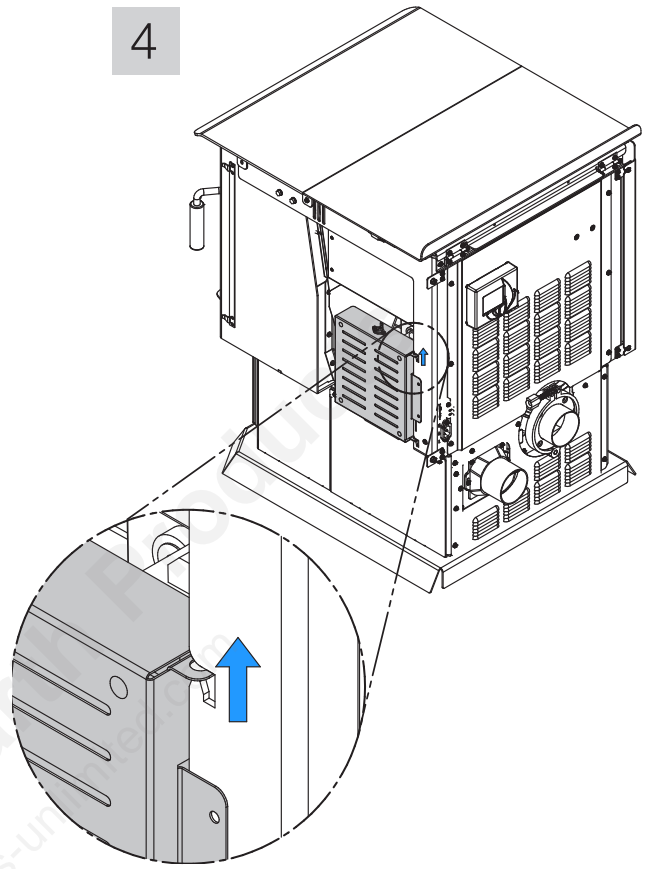
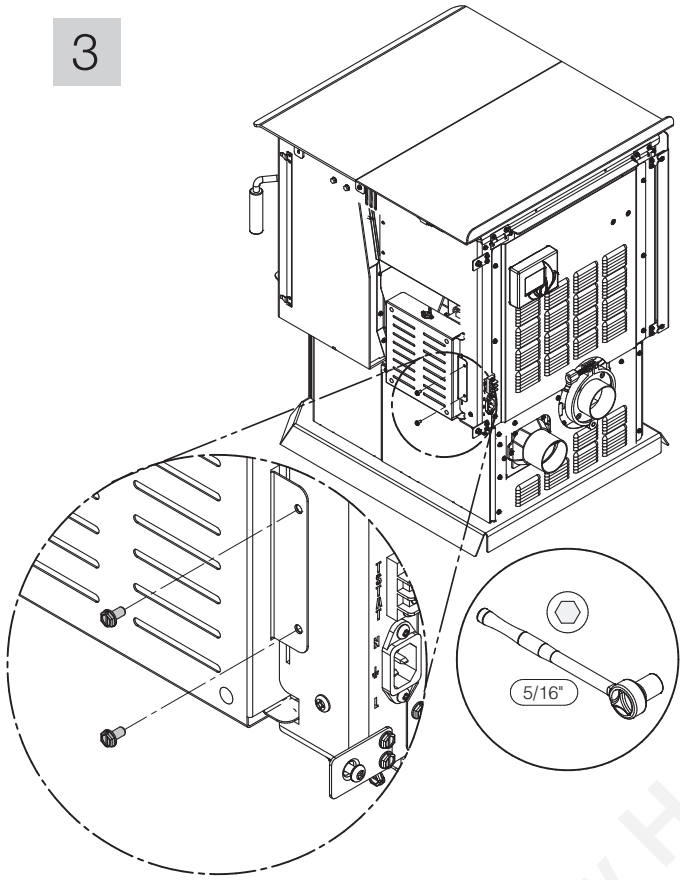
PART(S) REQUIRED :



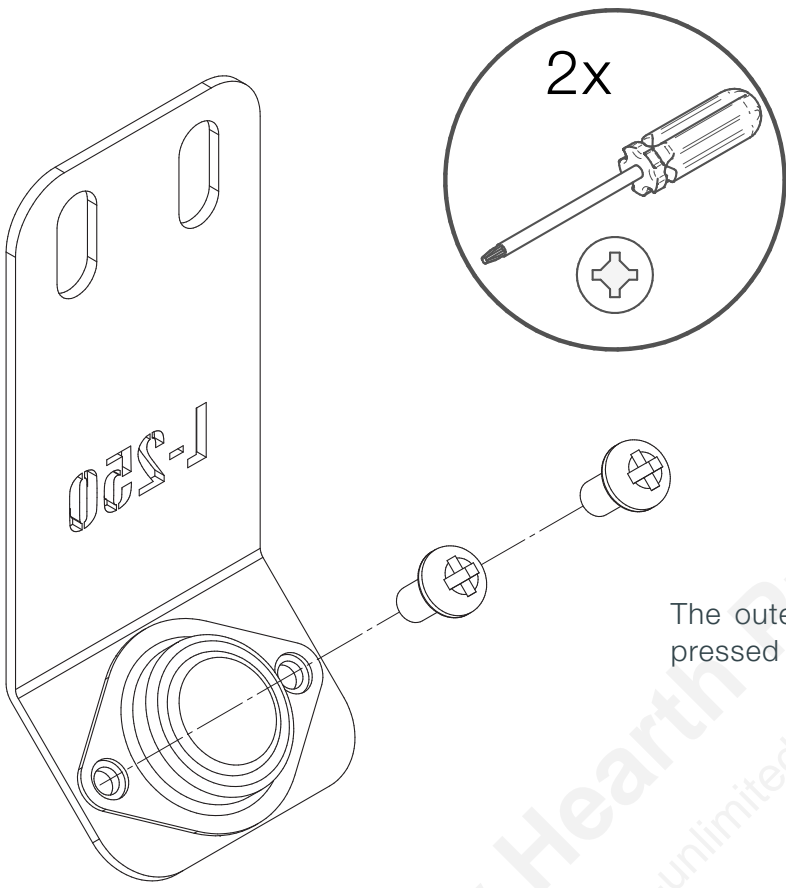
L-250 THERMODISC

PROCEDURE :





7



The outer surface of the L-250 must be pressed firmly onto the screw tube.

Mountain View Hearth Products
manuals.stove-parts-unlimited.com