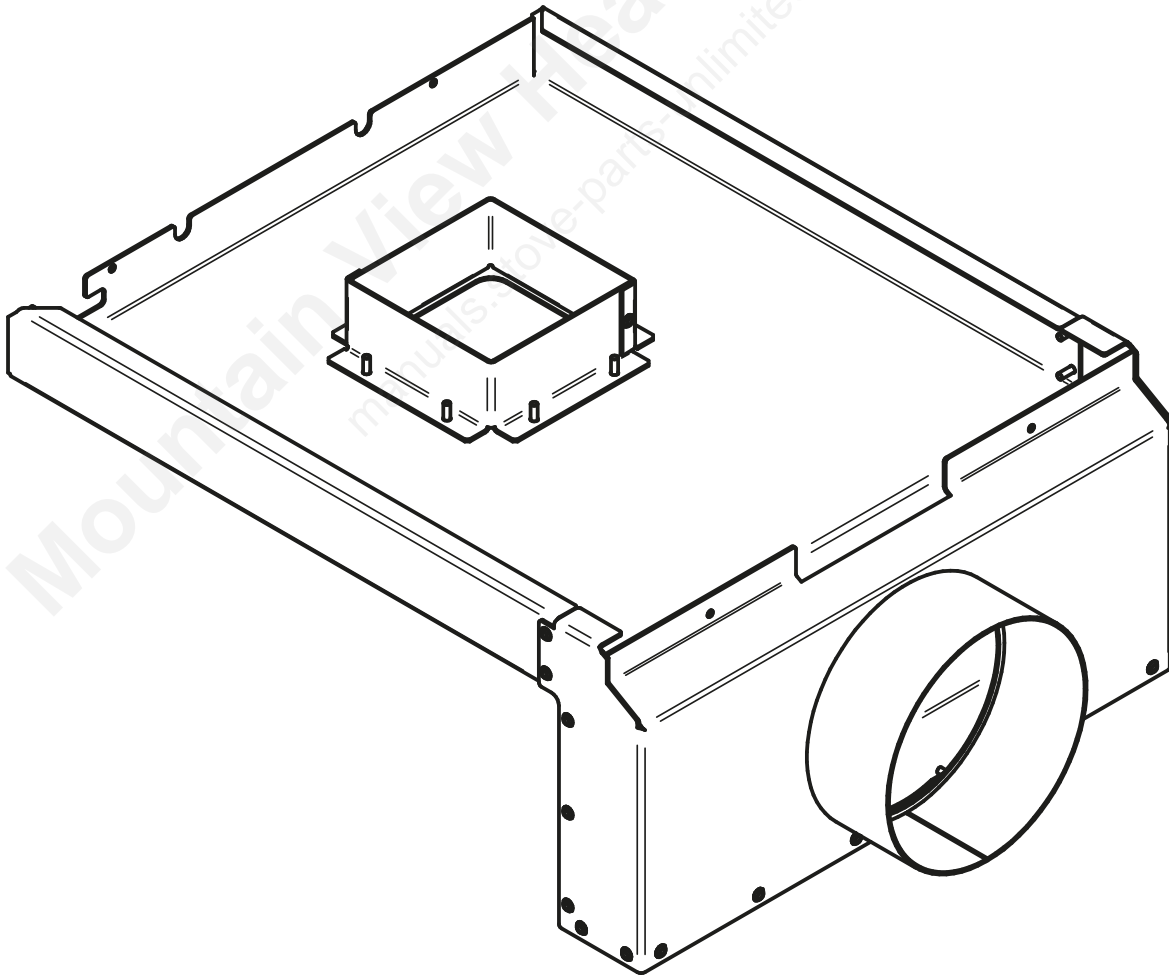




Installation Instructions

Fresh Air Intake Kit for Wood Stove on Legs

AC01291

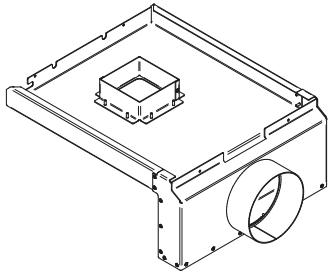


Mountain View Hearth Products
manuals.stove-parts-unlimited.com

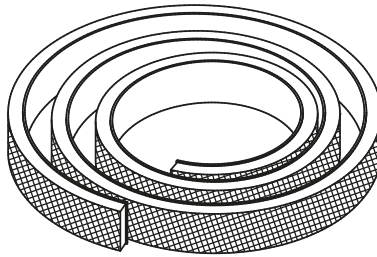
1. Application

This fresh air intake kit is designed to be installed on a wood stove with legs. The vent termination must be installed outside the building.

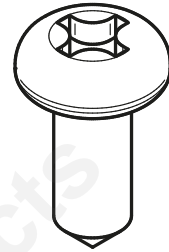
2. Kit Contents



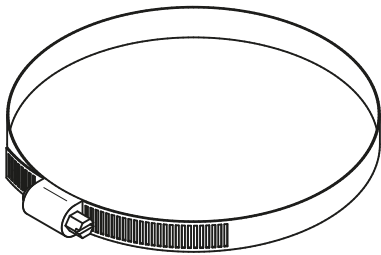
Air Intake Housing 5"
(D) 1x



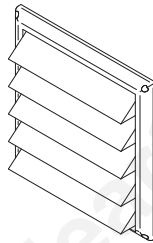
Self-adhesive gasket
(E) 36" long



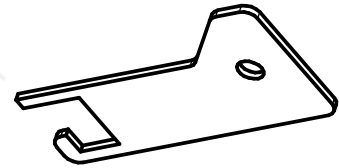
Black metal screw #10 x 5/8"
(F) 4x



Clamp
(H) 2x

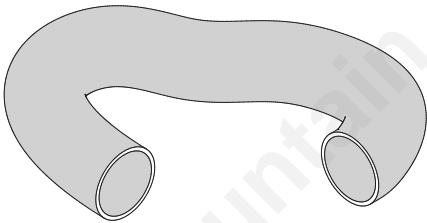


Air Intake grille 5"
(J) 1x

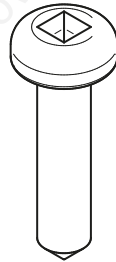


Mobile Home Bracket
(L) 4x

3. Other Required Parts (not included)

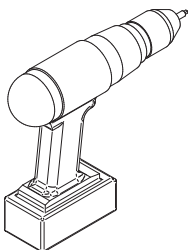


HVAC flexible insulated pipe in accordance with ULC S110 or UL 181, class 0 or class 1.
(G) 1x



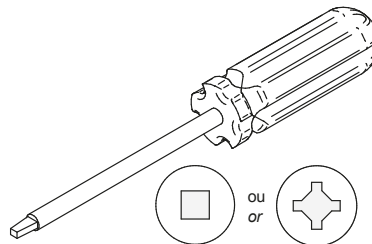
Screws for the air intake grille
(K) 4x

4. Suggested Tools



Powered Driver

or

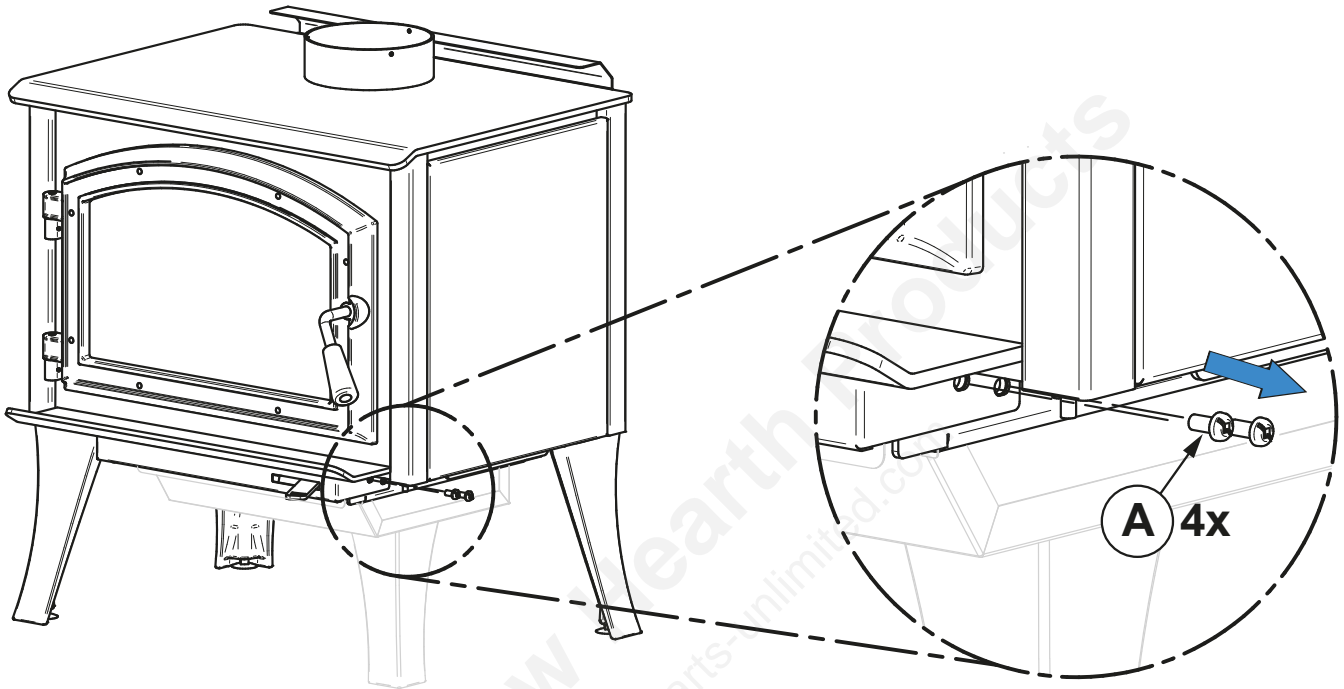


Robertson or Phillips screwdriver

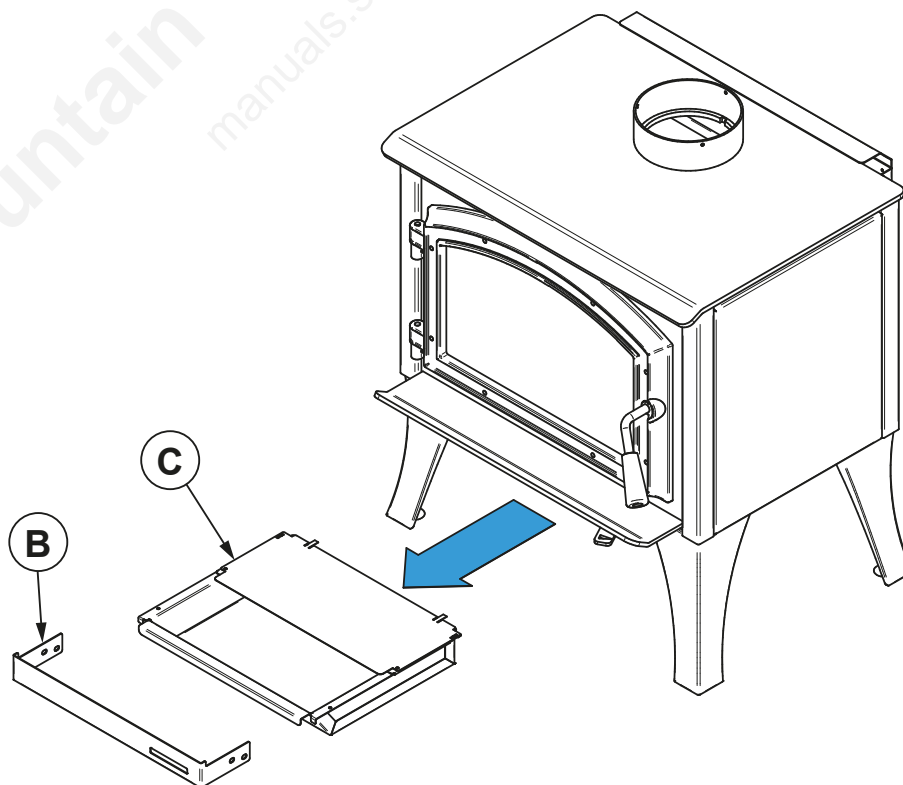
5. Installation Instructions

The following images are showing a generic wood stove model. Even if your stove is different, the installation steps are identical.

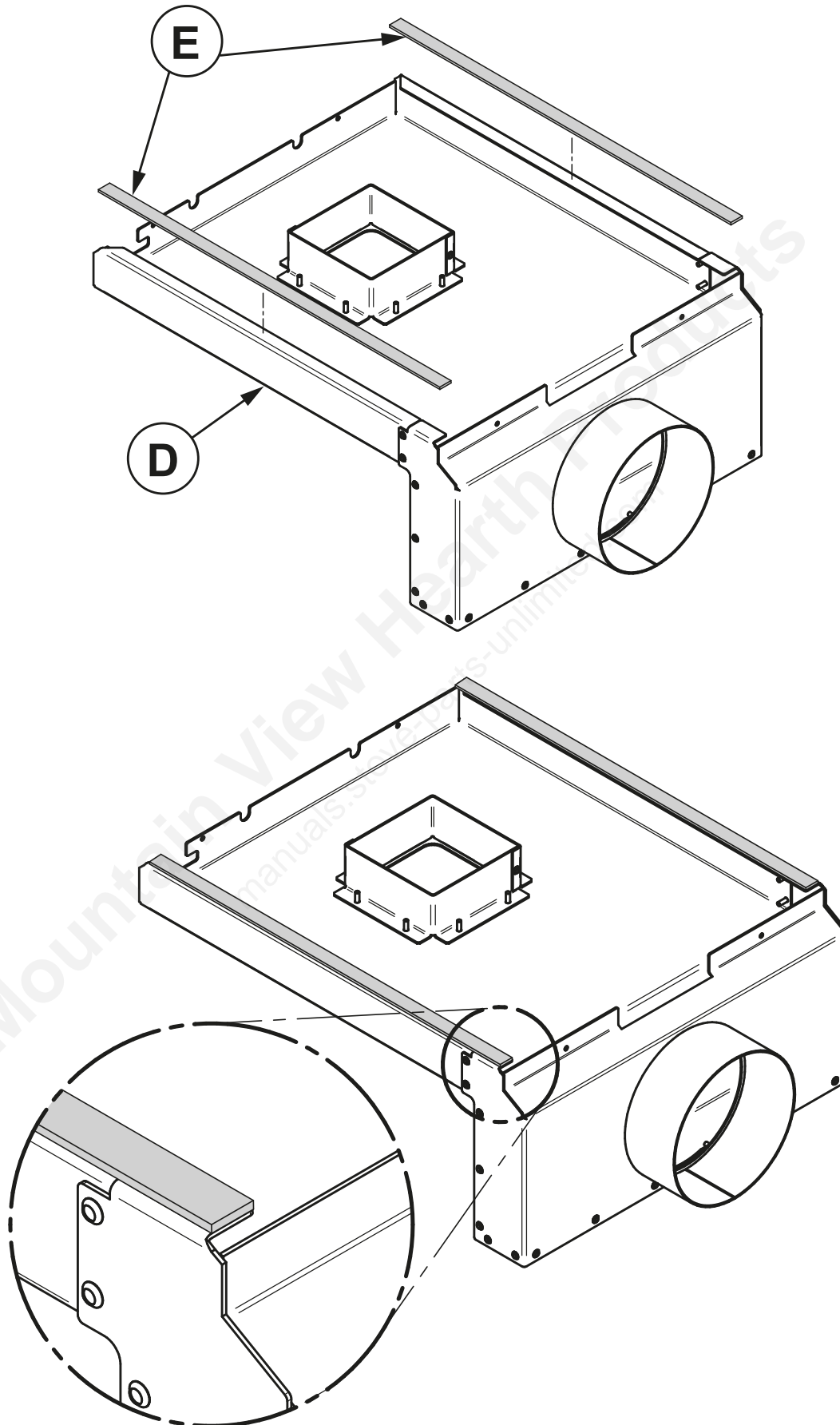
Step 1. Remove and keep the screws (A, 4x) that holds the air control cover in place.



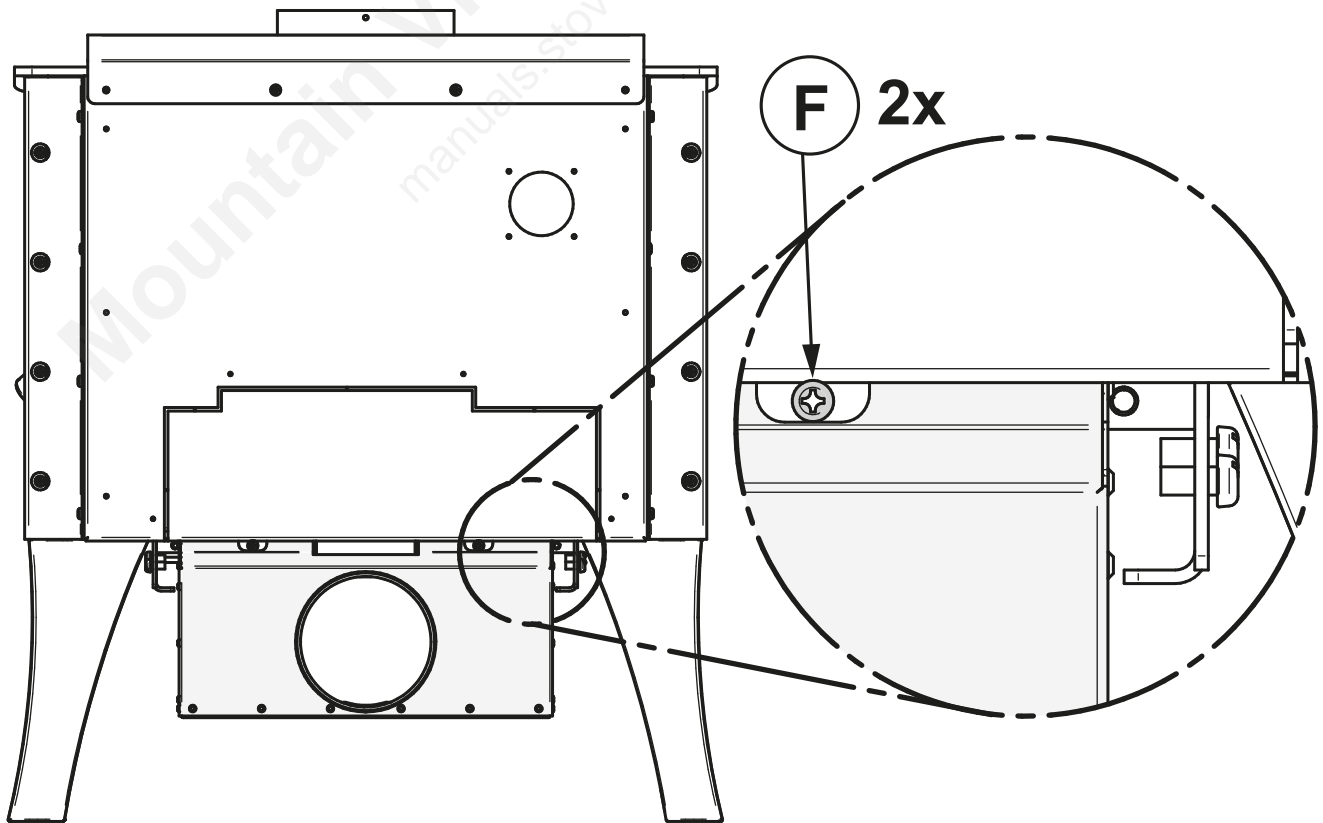
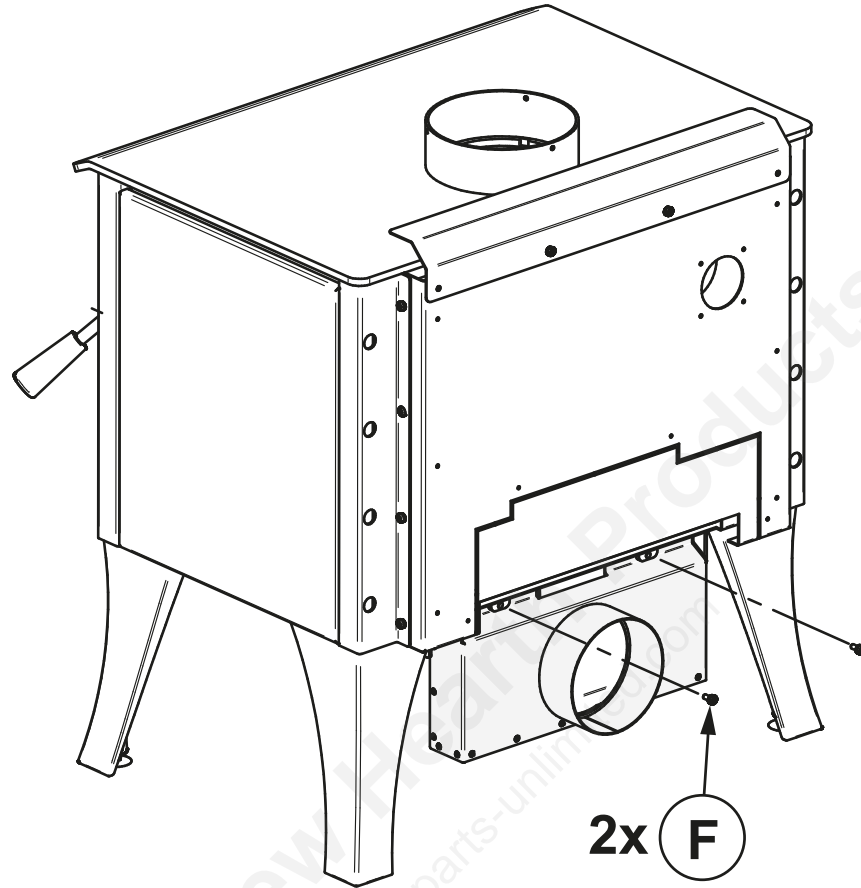
Step 2. Remove the air control cover (B) and the ash drawer (C).



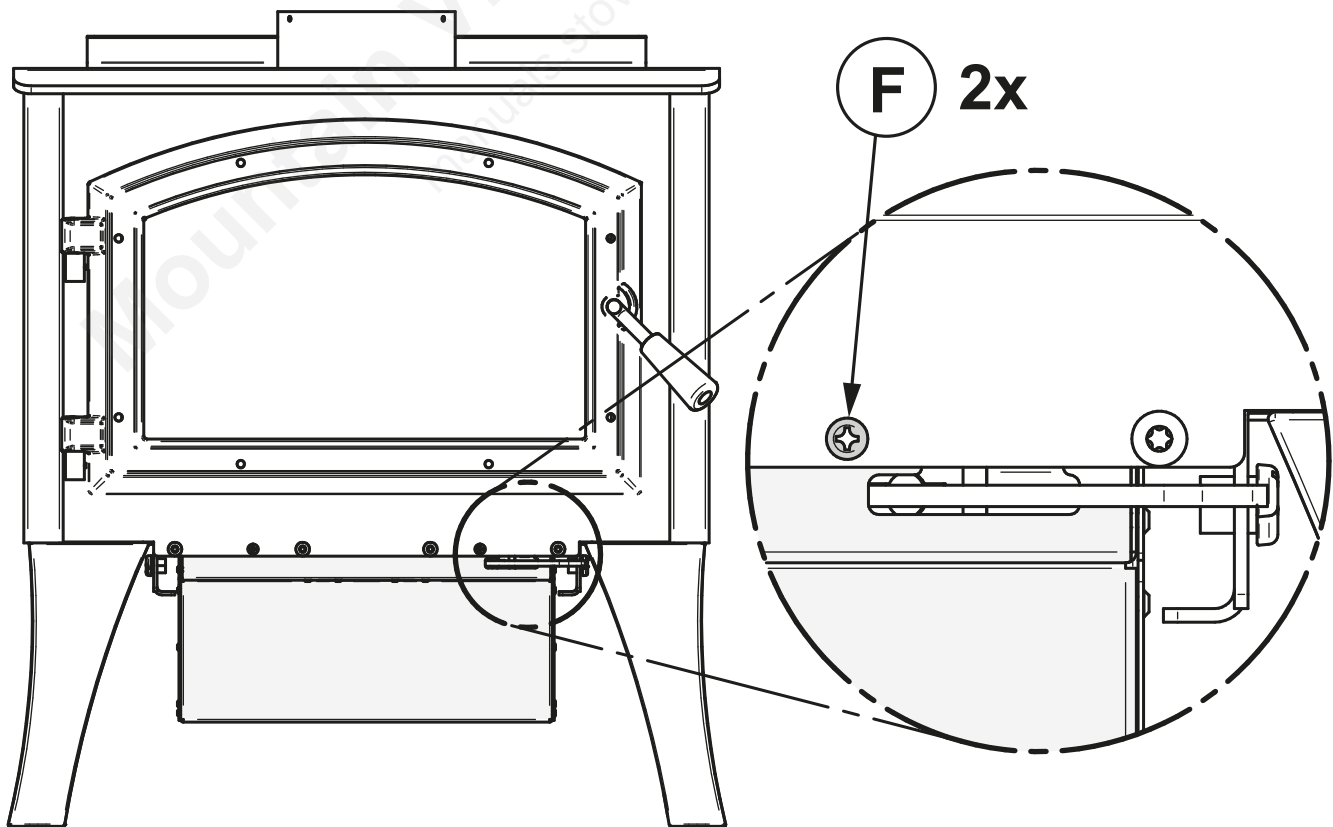
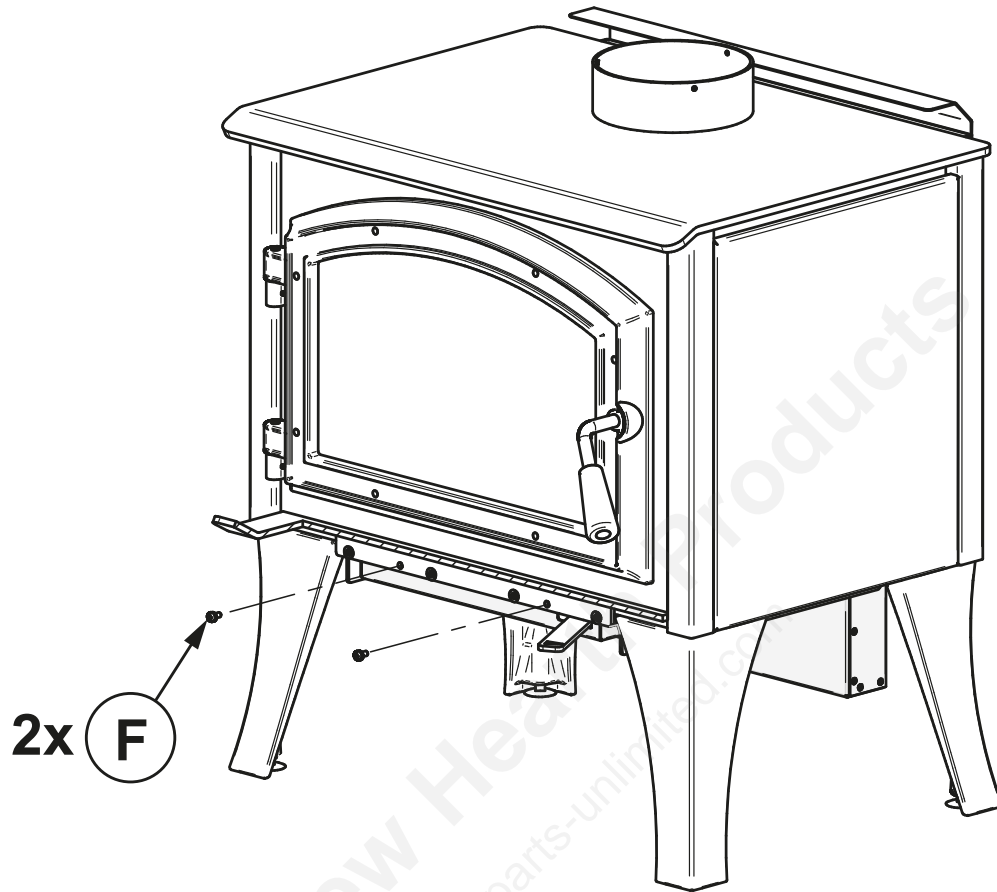
Step 3. Cut to length and install two strips of self-adhesive gasket (E) on the fresh air intake (D) as shown.



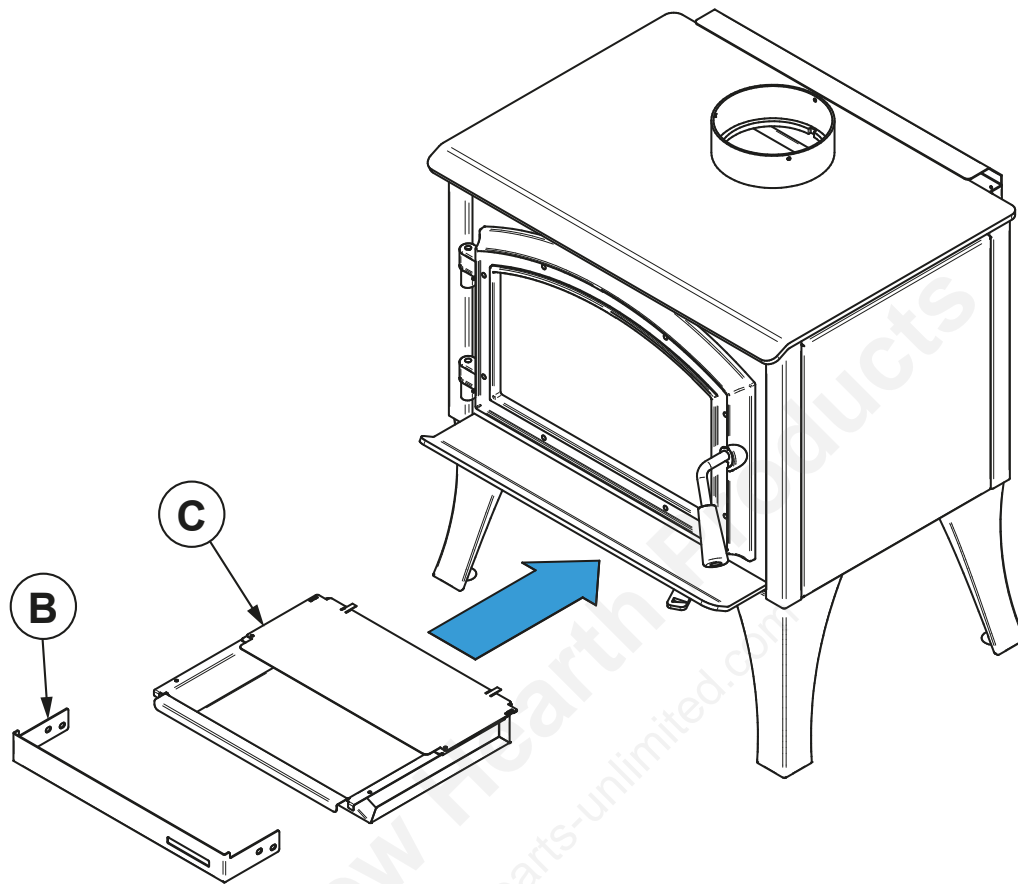
Step 4. Position the air intake underneath the stove and fix it at the back with two screws (F, 2x).



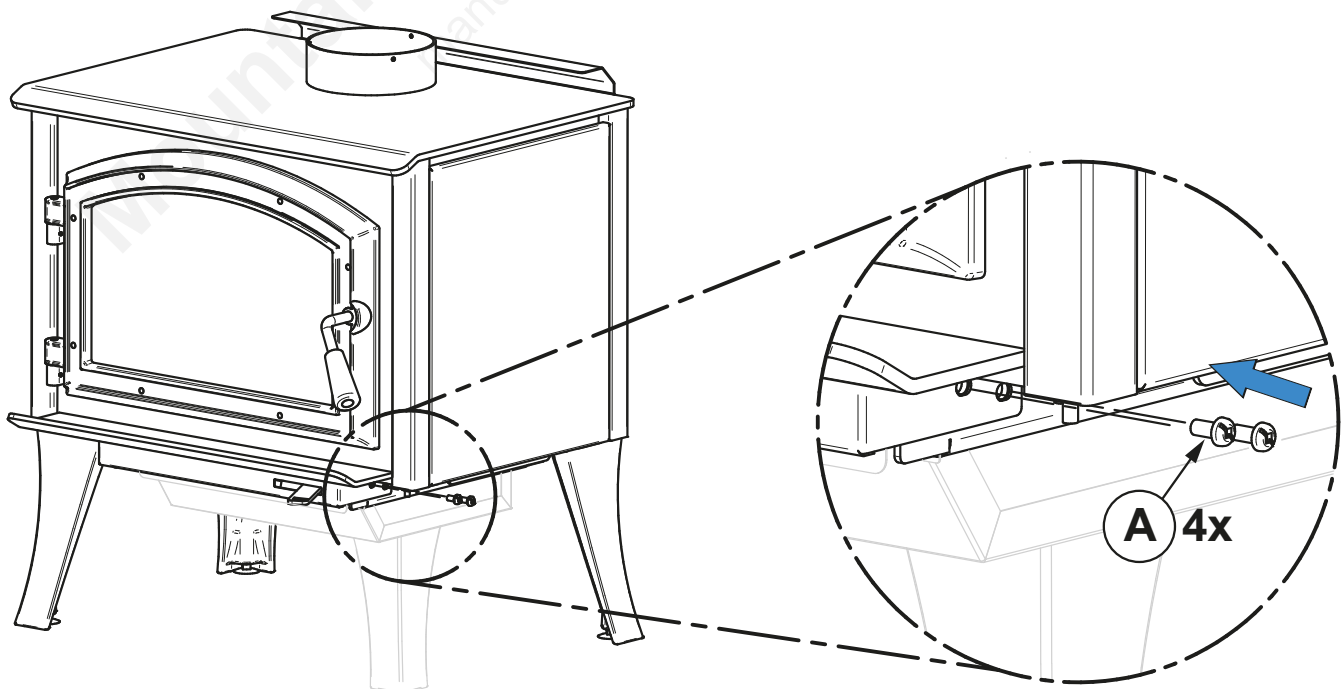
Step 5. Fix the air intake on the front of the stove with two screws (F, 2x).



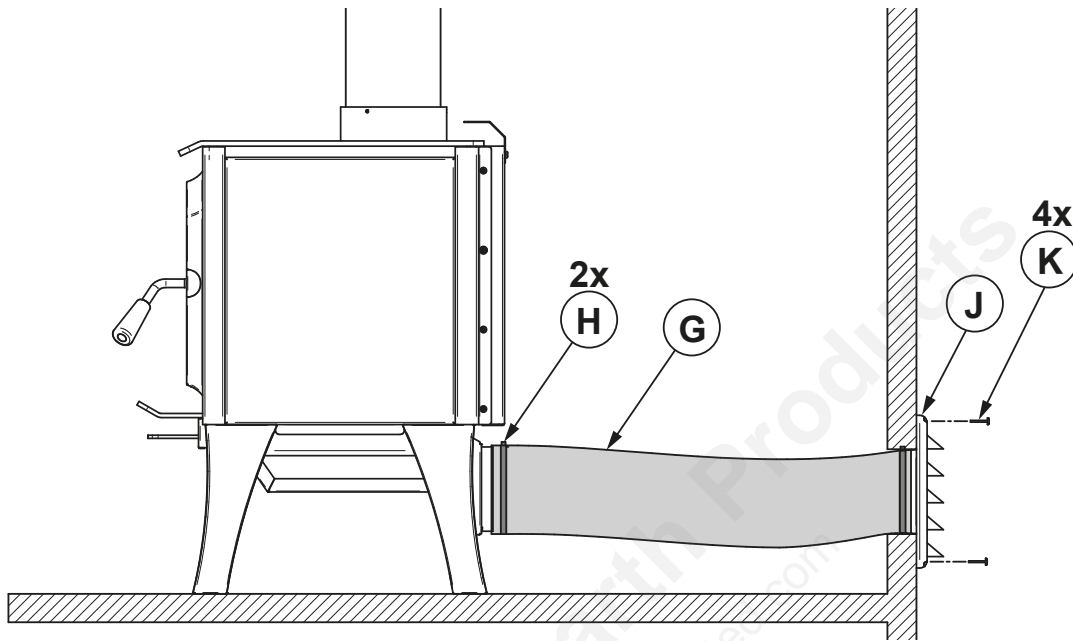
Step 6. Reinstall the ash drawer (C) and the air control cover (B).



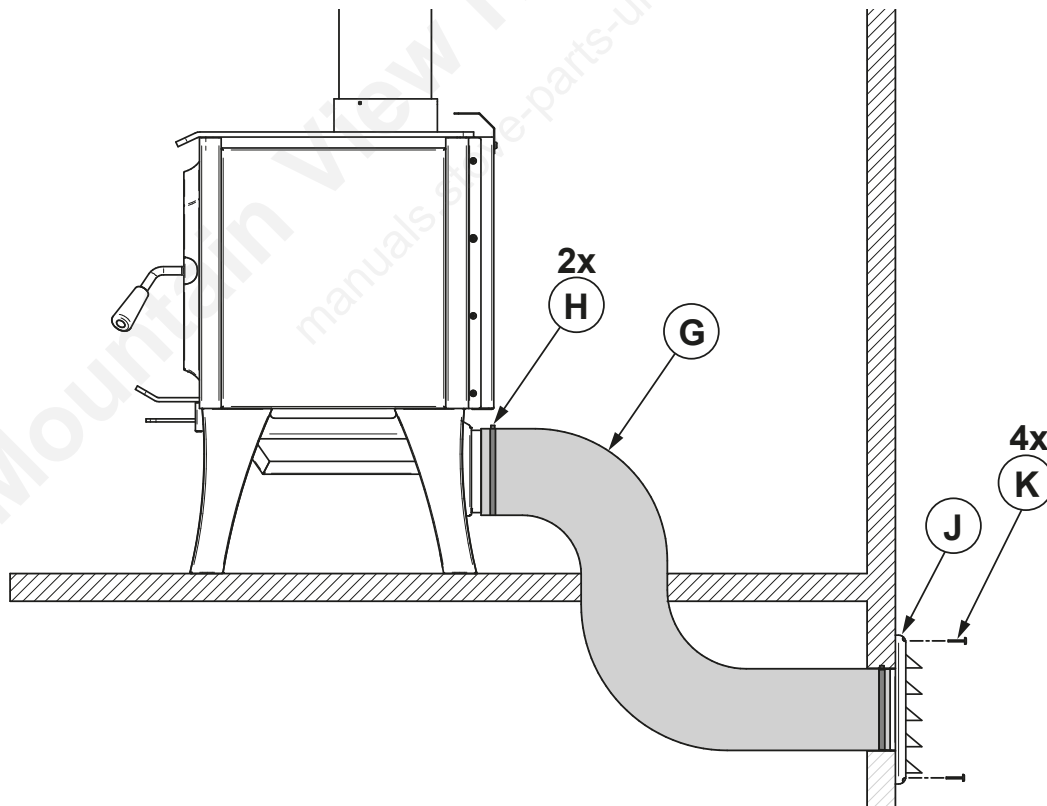
Step 7. Fix the air control cover (B) on the stove using screws (A, 4x) kept from Step 1.



Step 8. Make a 6" x 6" (150 mm x 150 mm) opening in the outside wall behind the unit. Install a 5" insulated flexible duct (**G**) to the air intake adapter using a clamp (**H**). Attach the other end of the flexible duct to the air intake grille (**J**) with another clamp (**H**). Secure the air intake grille with 4 screws (**K**, 4x), not supplied in this kit.



Example 1

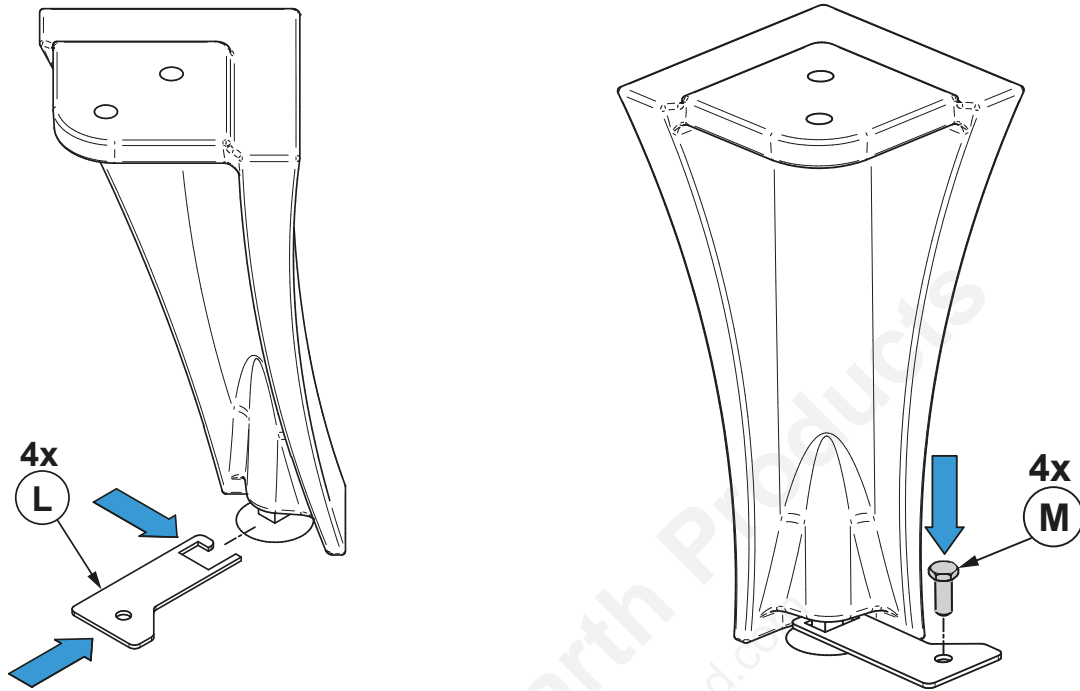


Example 2



The fresh air intake assembly and duct should be inspected periodically to ensure that it is not obstructed.

9. For a mobile home installation, use the leg retainers (**L**, 4x) to secure the stove to the floor. Use the appropriate hardware (**M**, 4x) for the flooring.



Mountain View Hearth Products
manuals.stove-parts-unlimited.com

Mountain View Hearth Products
manuals.stove-parts-unlimited.com



SBI HEATING ACCESSORIES
255 De Copenhague Street
Saint-Augustin-de-Desmaures
Québec, Canada
G3A 2H3
418-908-8002