



FABRICANT DE POÊLES INTERNATIONAL / STOVE BUILDER INTERNATIONAL

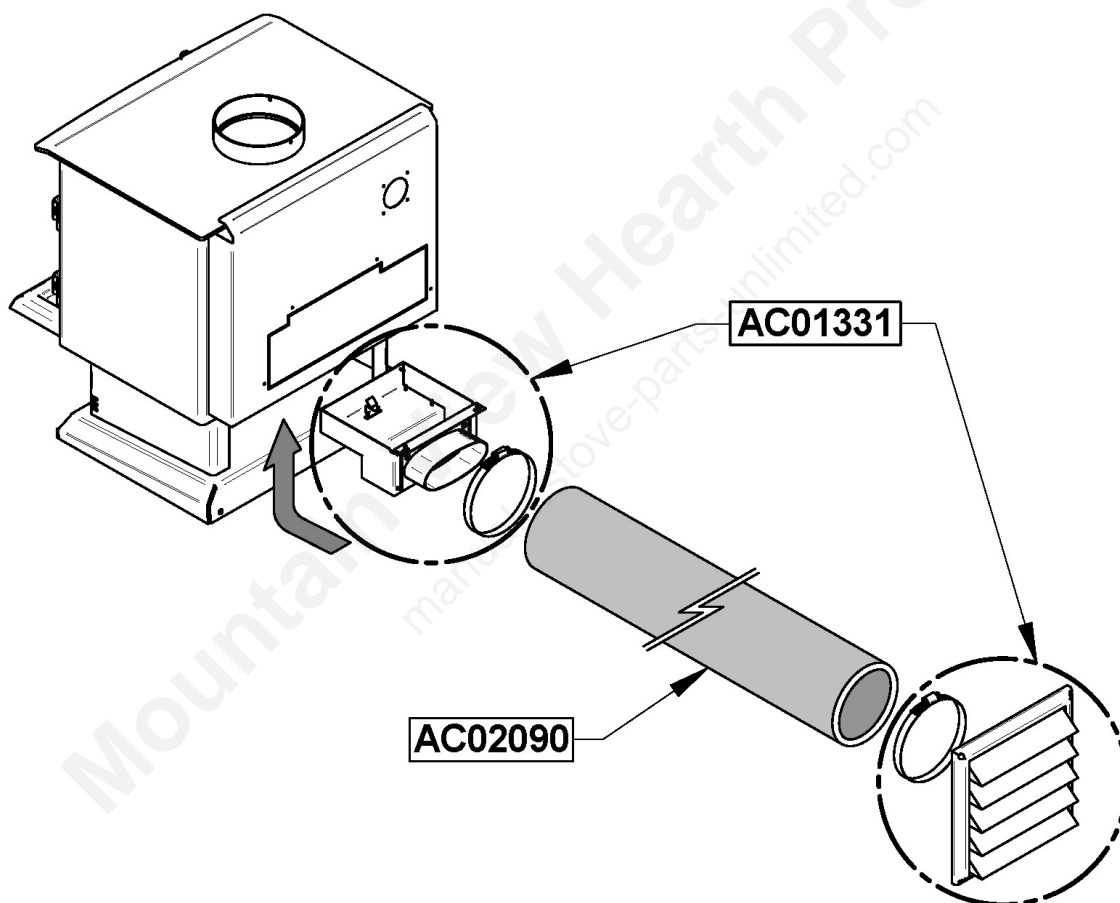
---

## INSTALLATION INSTRUCTIONS FOR FRESH INTAKE AIR KIT

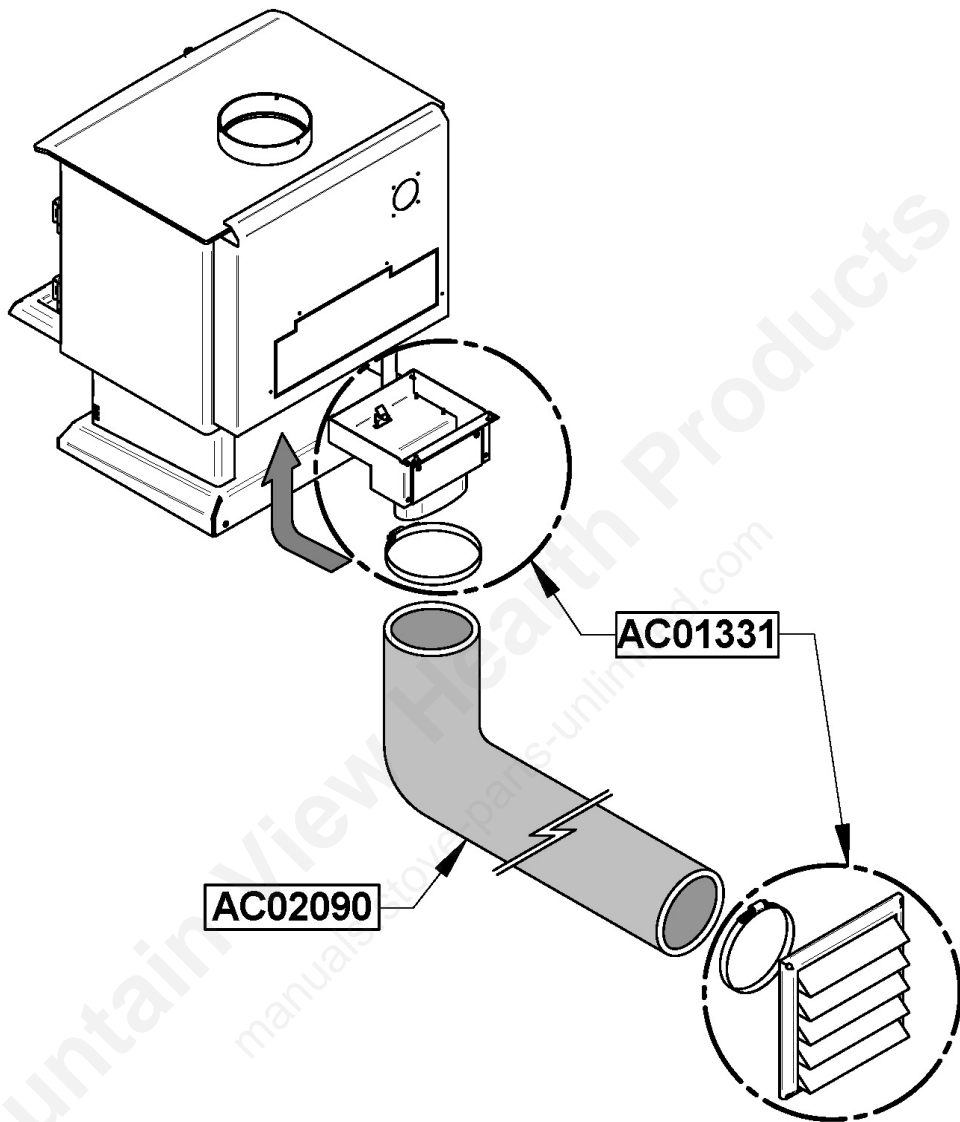
# AC01331

---

If you wish to draw fresh combustion air directly through the back wall, fix the angled plate with the oval outlet such that the outlet faces the back wall.



If you wish to draw combustion air through the floor, fix the angled plate with the oval outlet such that the outlet faces the floor.



Position the adapter underneath the stove. Align the two fixation holes on the adapter with those located on the stove's rear heat shield. Fix the adapter into place with the two supplied screws.

**Note:** To connect the adapter, use an insulated flexible fabric ducting with a 5-inch diameter (AC02090). The ducting must be a HVAC type meeting ULC-S110 and/or UL-181. It must be rated for temperatures up to 250 °F. Use the terminal supplied to cap the hole on the exterior wall. Use the pipe clamps supplied to connect the pipe to the adapter and the wall terminal. If you choose to draw fresh air from the floor, make sure that it directly connects to the exterior of the house and that air circulates well enough to insure a proper supply of oxygen at all times.