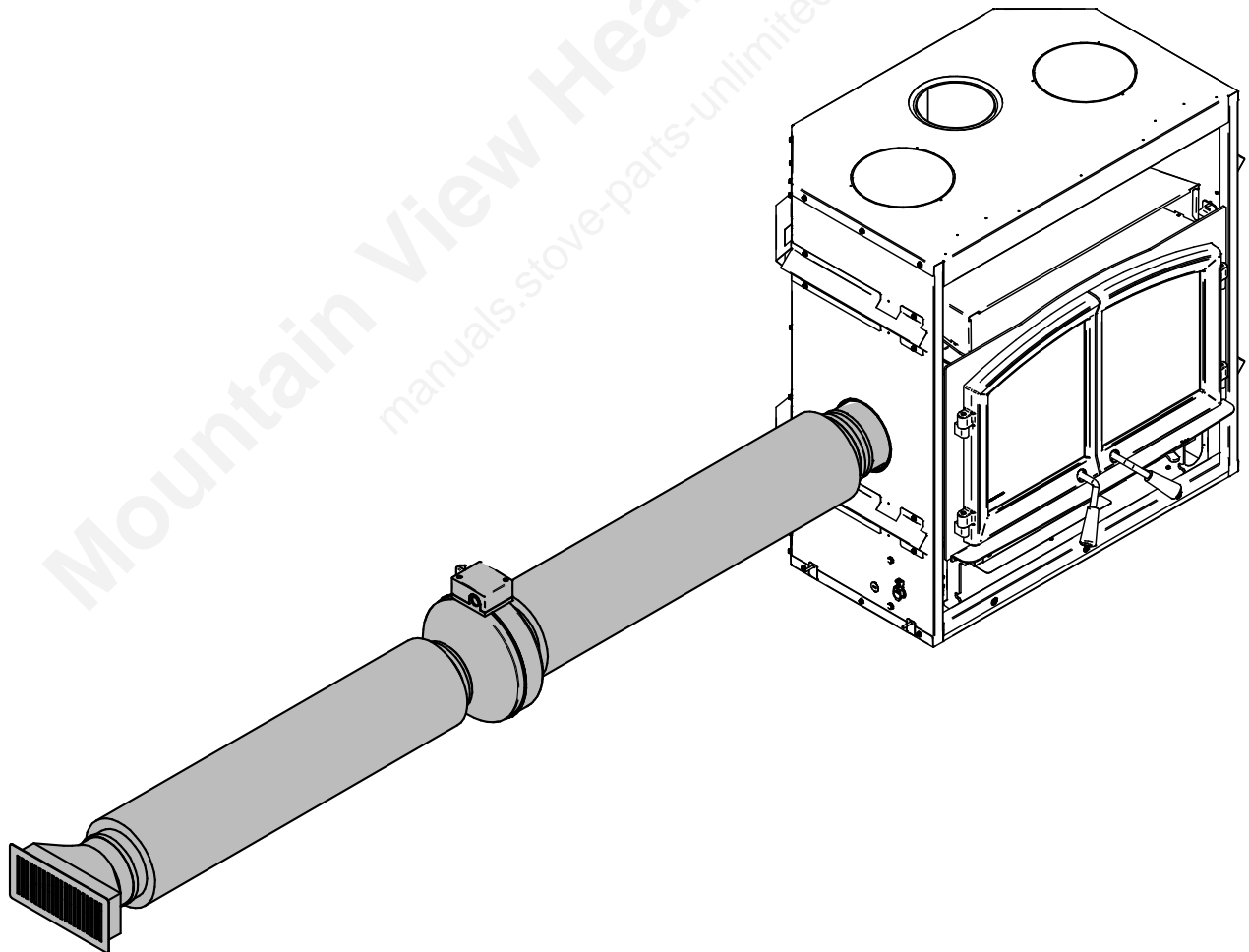




Installation Instructions

Forced Air Distribution Kit

AC01374

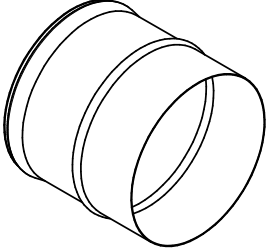
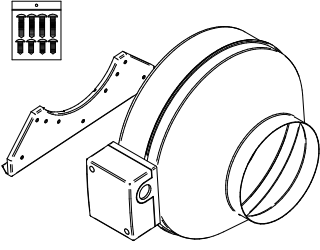
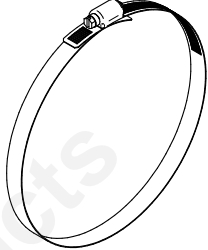
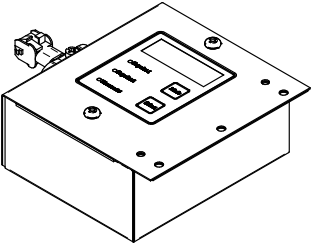
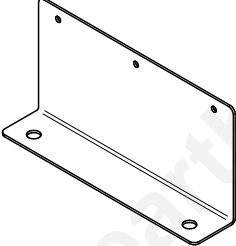

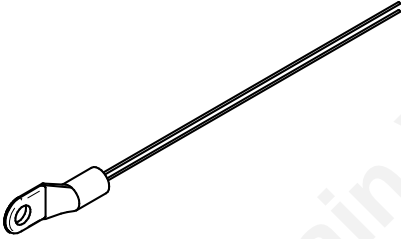
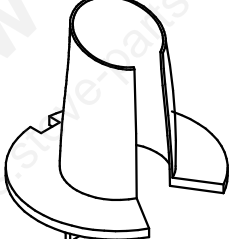
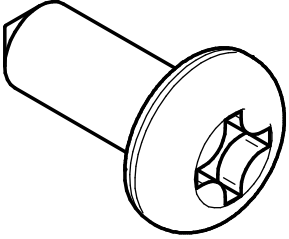
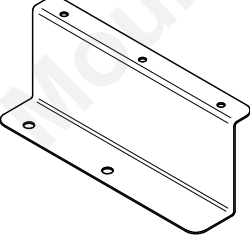
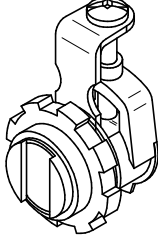
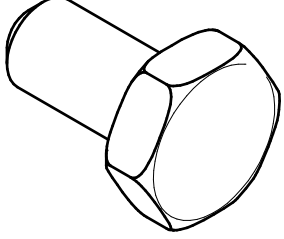
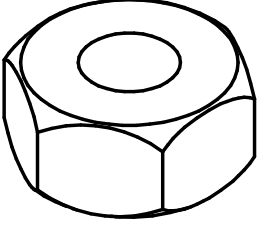
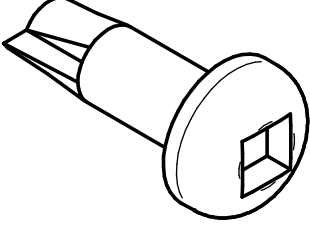
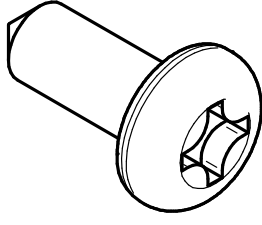


Mountain View Hearth Products
manuals.stove-parts-unlimited.com

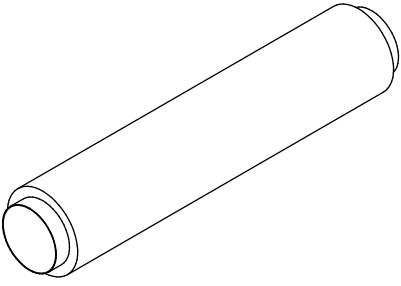
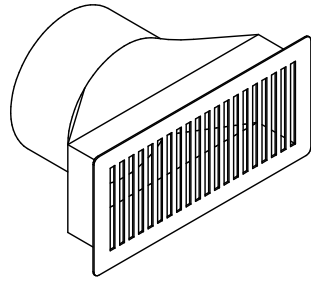
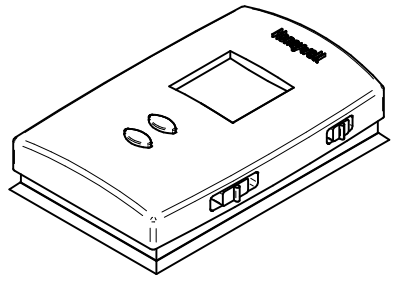
1. Application

This forced air distribution kit can be used to heat adjacent rooms, upper floor or lower floor located up to 50' (15.2 m) from a fireplace.

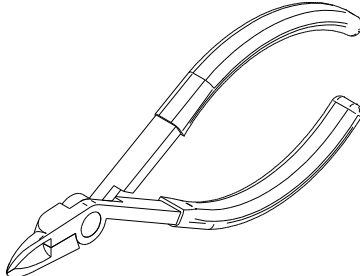
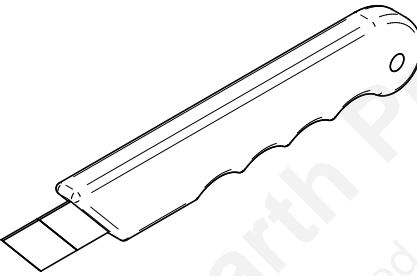
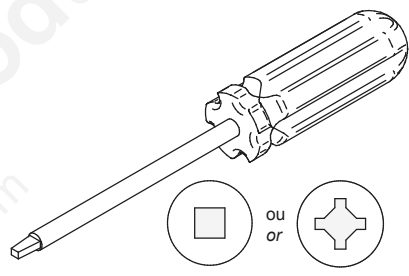
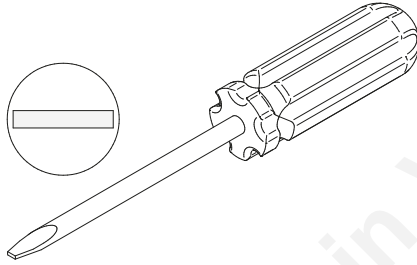
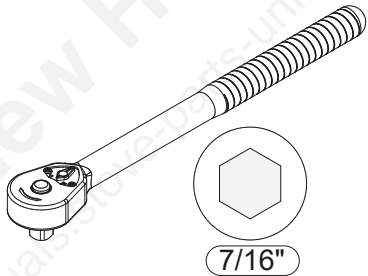
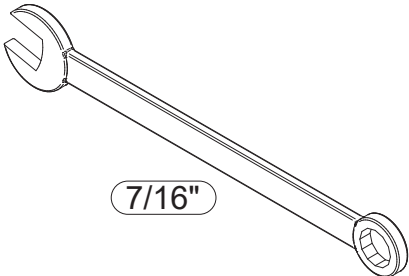
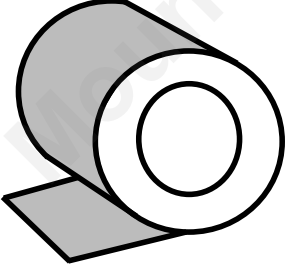

2. Kit Contents

		
6" Adapter (A) 1x	Blower 300 CFM (D) 1x	Hose clamp (C) 4x
		
Motherboard housing (T) 1x	Motherboard housing support (V) 1x	Thermistor support (X) 1x
		
Thermistor (Y) 1x	Antishort bushing for BX cable 3x	Black metal screw #10 X 1/2" (W) 7x
		
Motherboard housing support (old models) 1x	BX wire connector (S) 1x	Bolt 1/4-20 X 1/2" (Z) 1x
		
Black hex nut 1/4-20 (AA) 1x	Quadrex screw #8 X 1/2" self-drilling 2x	Quadrex black screw #10 X 5/8" (BB) 1x

3. Other Required Parts (not included)

		
<p>HVAC flexible insulated pipe (B) 1x</p>	<p>Air register (E) 1x</p>	<p>Wall thermostat 1x</p>

4. Suggested Tools

		
<p>Cutting pliers</p>	<p>Utility knife</p>	<p>Screwdriver</p>
		
<p>Slotted screwdriver</p>	<p>Ratchet wrench with 7/16" socket</p>	<p>Combination wrench 7/16"</p>
		
<p>Aluminum foil tape</p>	<p>Gloves</p>	

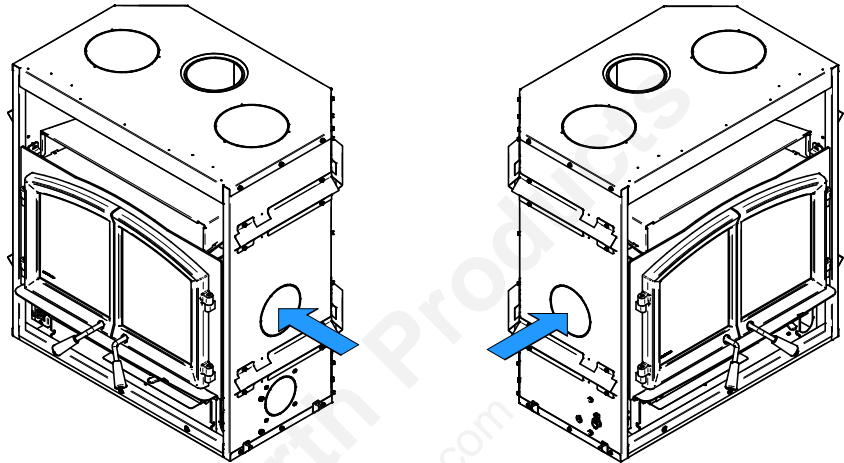
5. Installation Instructions



It is strongly recommended to wear gloves to complete the installation.

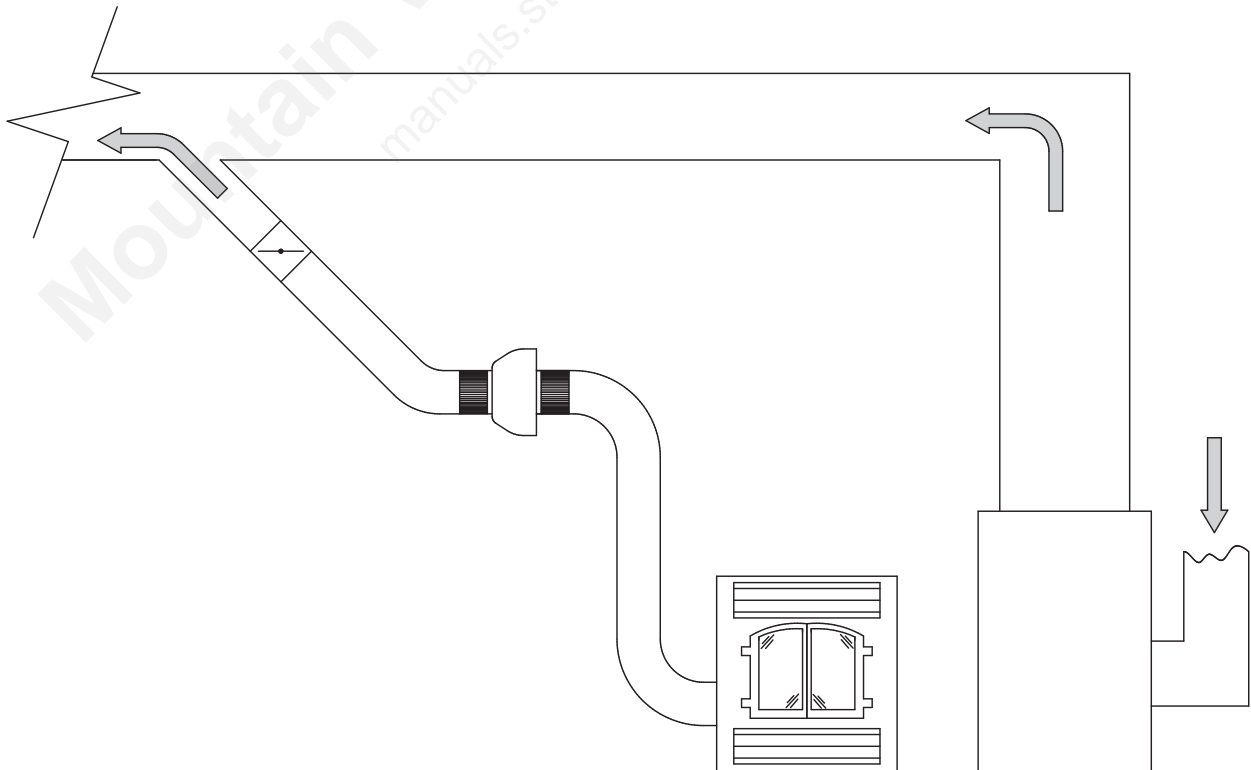
The forced air distribution kit can be installed in two different locations on the fireplace. On the right side or on the left side of the fireplace.

Only remove the knockout on the side that will be used to connect the forced air distribution kit.

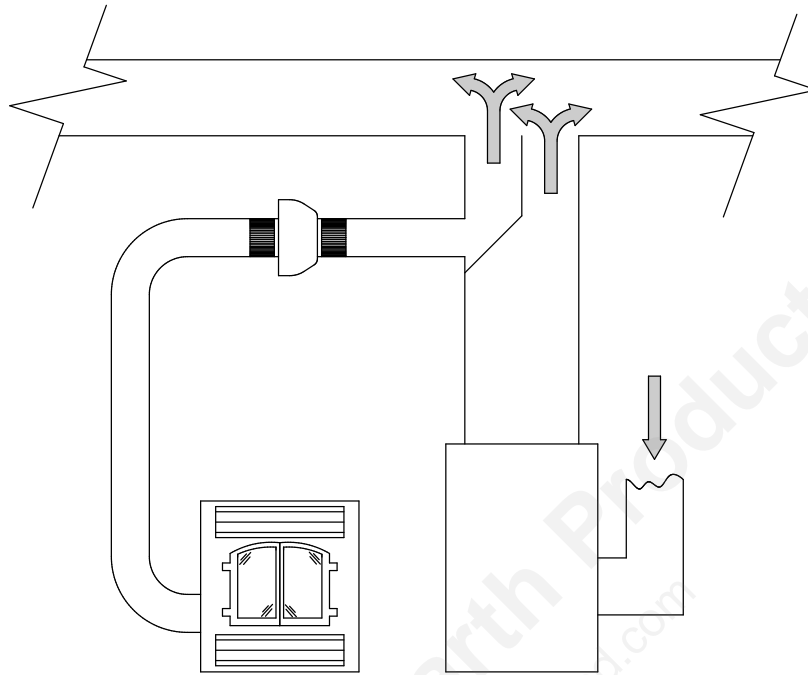


WARNING

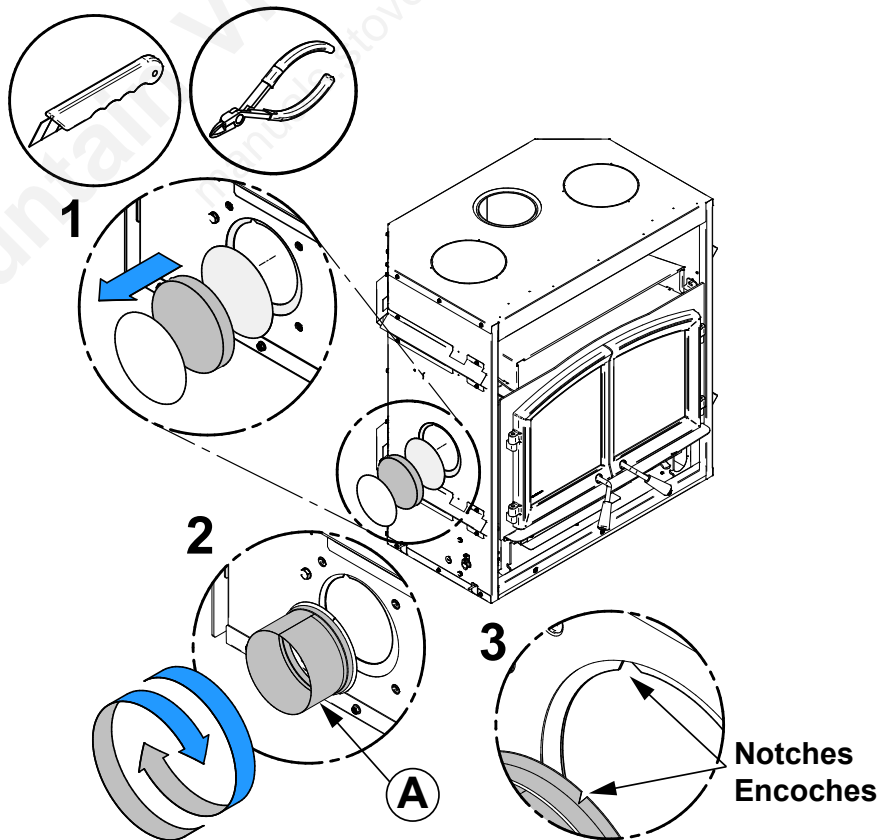
In Canada, the connection of the forced air kit to a furnace duct is prohibited unless local building codes allow it. This type of installation is allowed in the USA (UL 391 Standards). However, do not connect any hot air ducts to the cold air return. If the forced air kit pipe is to be connected to a furnace hot air distribution system, a backflow shutter must be installed between the forced air kit fan and the central system hot air duct.



To favor an optimum air distribution, it is recommended to connect the forced air kit pipe to the furnace duct using an angled connector oriented towards the air outlet.

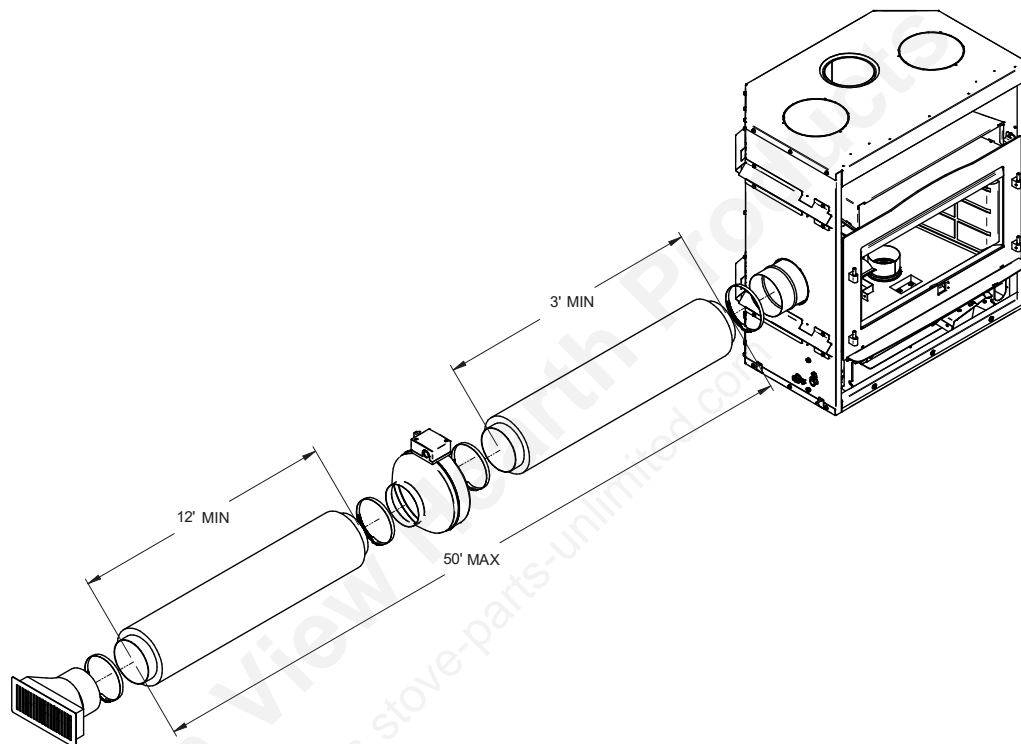


- A) Remove the knockout by cutting the microjoints. Cut and remove the insulation and the other knockout inside the fireplace **(1)**. Install the adapter **(A)** included in the kit **(2)** by aligning the notch of the adapter with the one on the fireplace **(3)**. Turn the adapter clockwise.

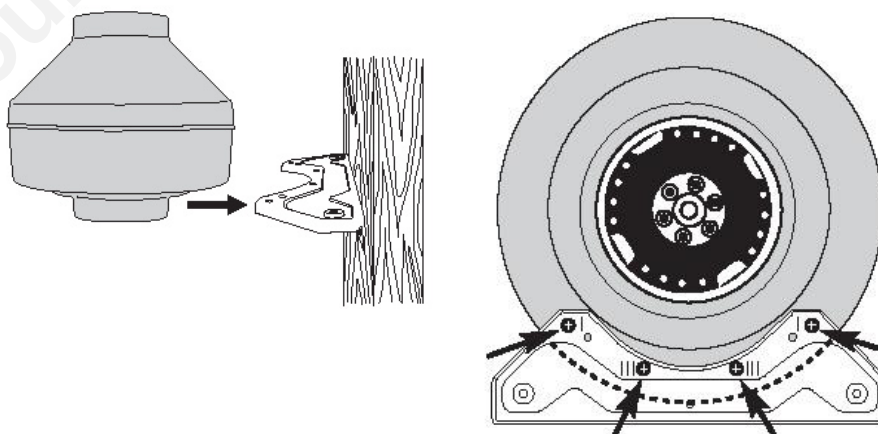


B) Install the hot air distribution blower in a location where it will be easy to access for maintenance and where blower noise will not be disturbing. The blower can be installed horizontally, vertically or at any angle. The following instructions must be followed when installing the fan.

- *The blower must be positioned at a minimum distance of 3 feet from the fireplace and outside of its enclosure.*
- *The length of the insulated flexible pipe between the fan and the air outlet must be not less than 12 feet.*
- *To obtain optimal efficiency, a maximum run of 50 feet is recommended.*

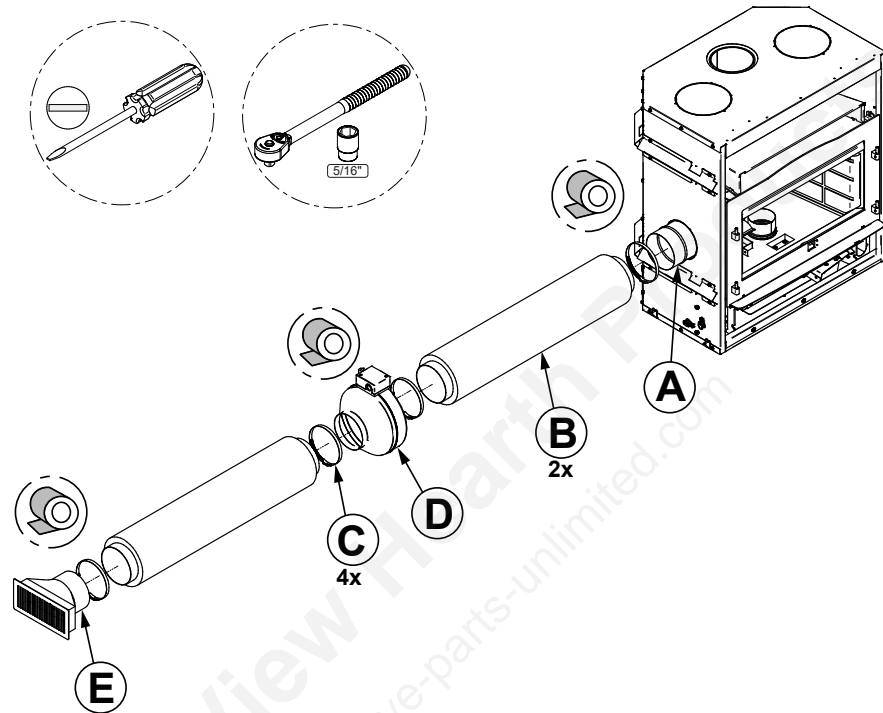


- *A minimum clearance to combustible materials of 2 inches from the heat distribution blower is required.*



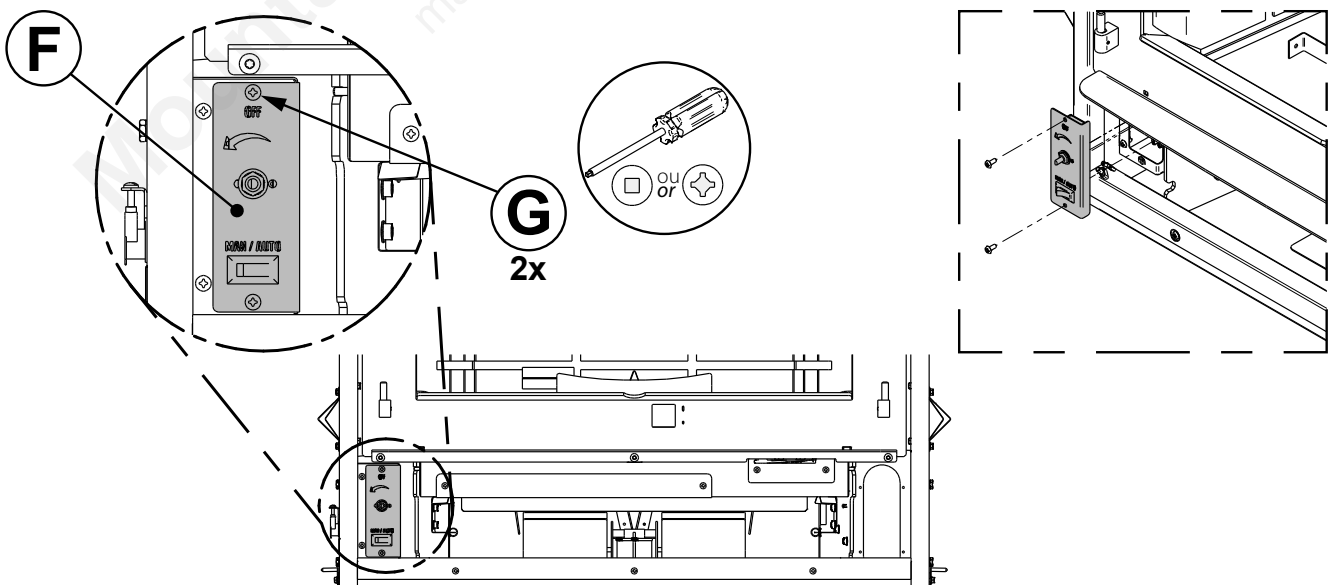
- C) Connect the insulated pipe¹ **(B)** to the fireplace adapter **(A)**, then to the inlet of the heat distribution blower **(D)** using two hose clamps **(C)**. Use the same procedure to secure the insulated flexible pipe to the outlet of the heat distribution blower **(D)** and to the air register **(E)**. If a floor register is to be used, no furniture should be placed above it.

To properly install the flexible duct, gently remove the insulation and plastic wrap to expose the duct. Fix the duct using clamps. Stick aluminum tape around the joint between the duct and adapter to make the connection airtight. Carefully replace the insulation and plastic wrap on the duct. Secure the plastic with aluminum tape.



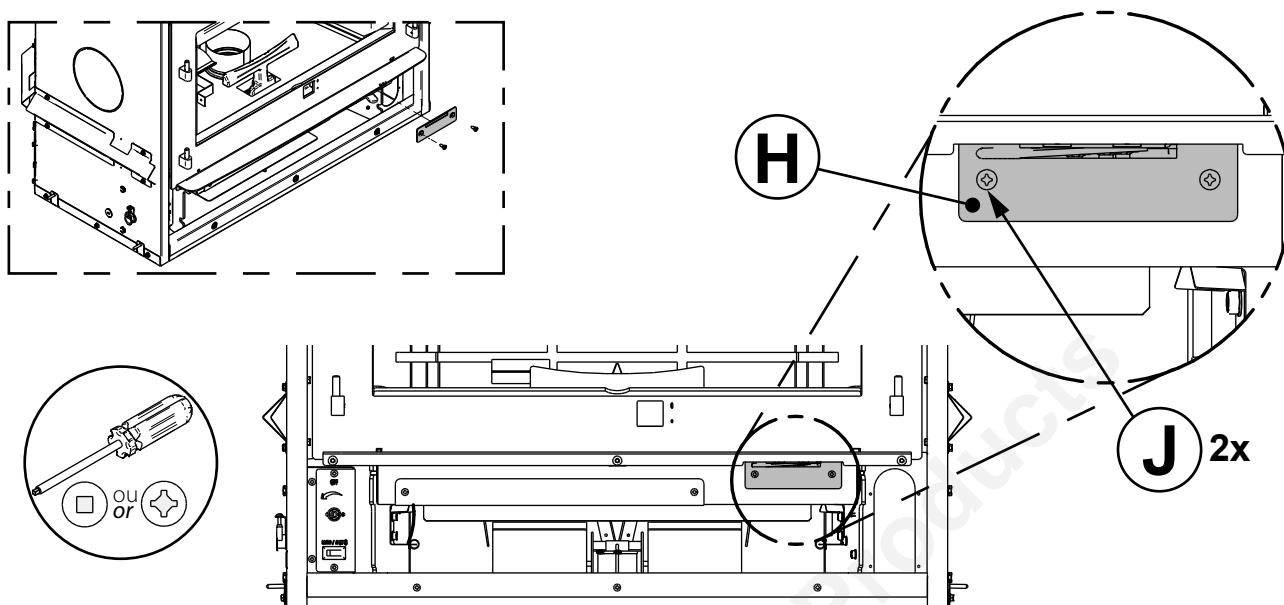
6. Electrical Connections

1. Remove the junction box cover **(F)** by removing 2 screws **(G, 2x)**. Keep the screws.

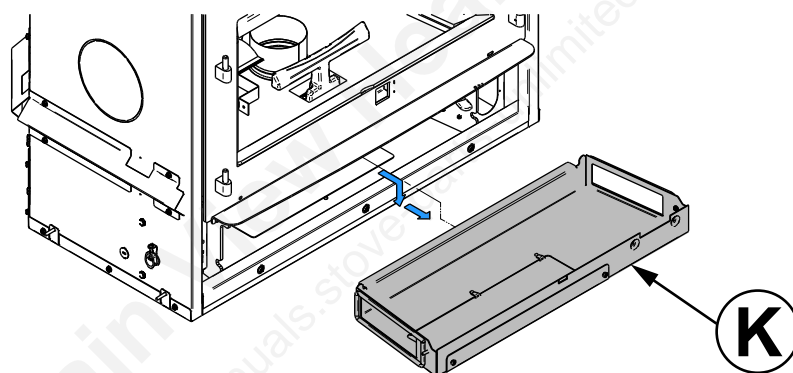


¹ The flexible insulated pipe (not included) must be HVAC type and comply with ULC S110 and / or UL 181, Class 0 or Class 1, and must withstand temperatures up to 250 ° F. This type of pipe is designed to be in contact with combustible materials.

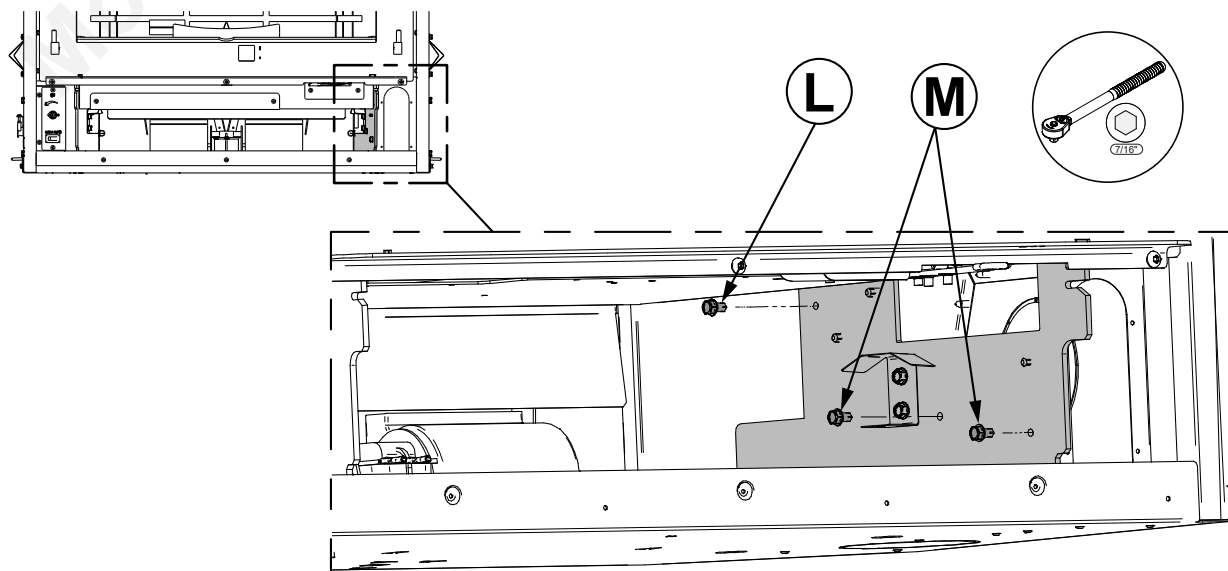
2. Remove the air control decorative cover (**H**) by removing two screws (**J**, 2x). Keep the screws.



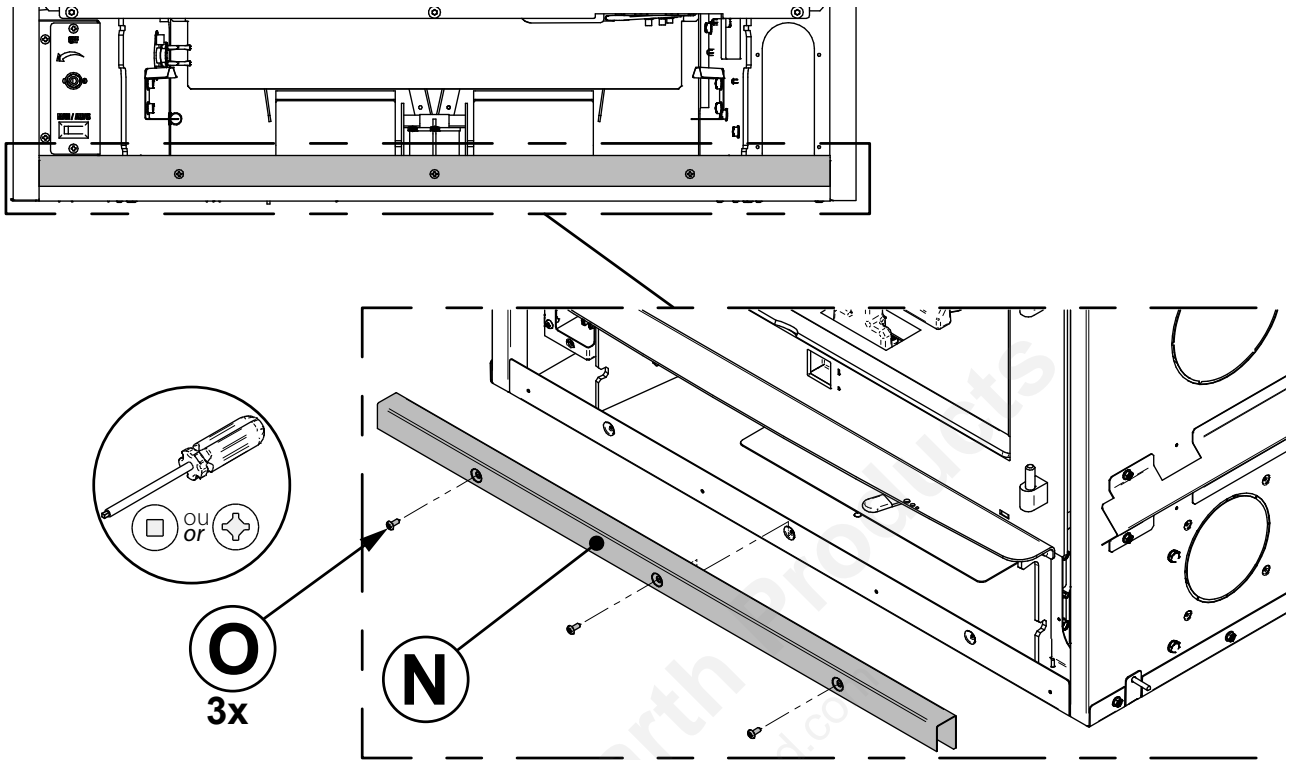
3. Remove the air control housing (**K**).



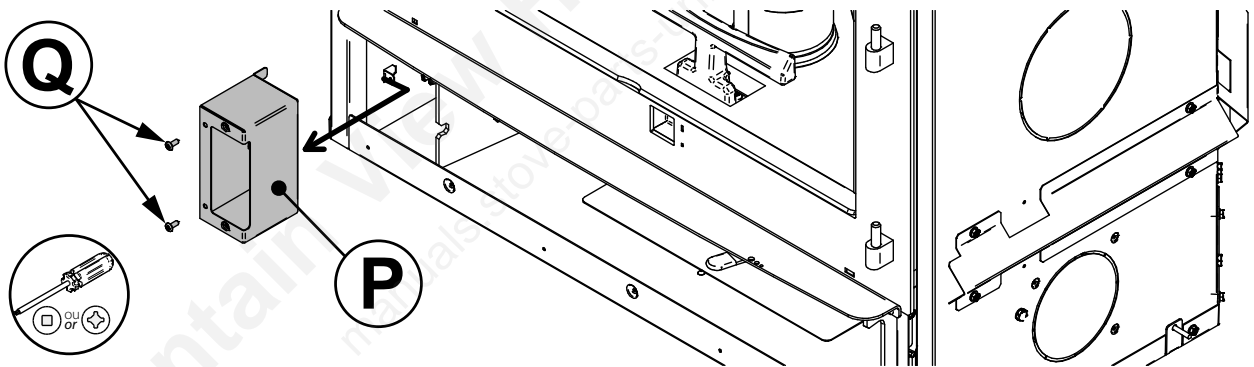
4. Remove the thermistor mounting bracket screw (**L**) and the two screws from the electronic board bracket (**M**). Keep the screws.



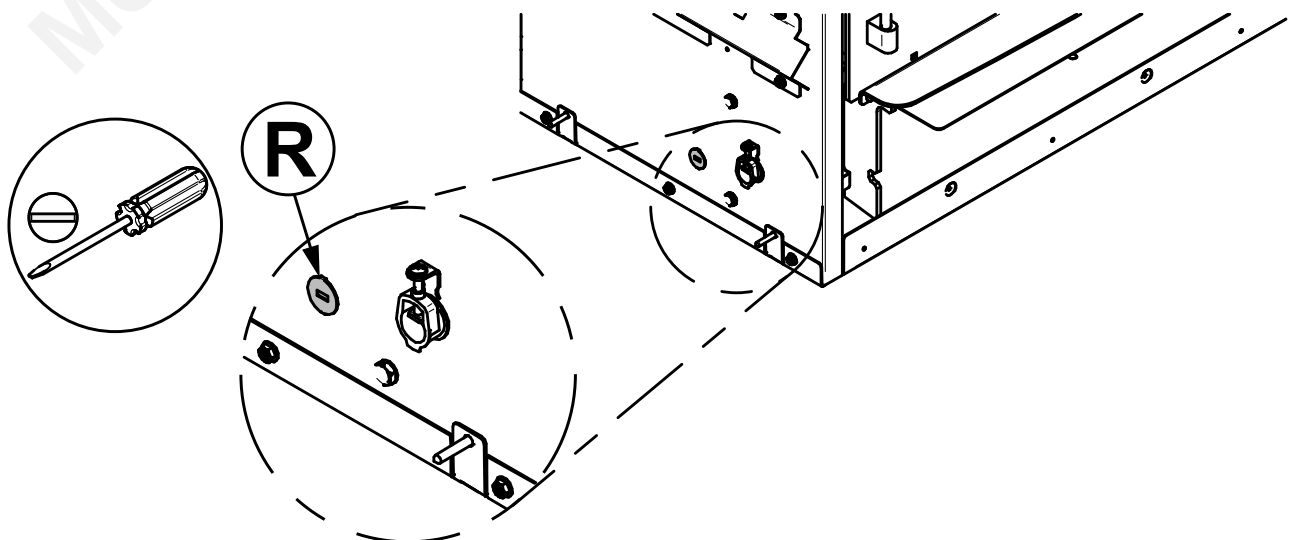
5. Remove the wire cover (**N**) by removing the three screws (**O**) at the front. Keep the screws.



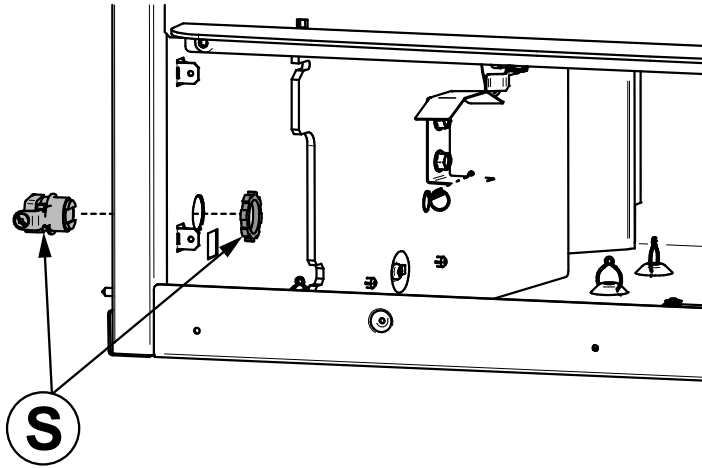
6. Remove the junction box (**P**) by removing two screws (**Q**).



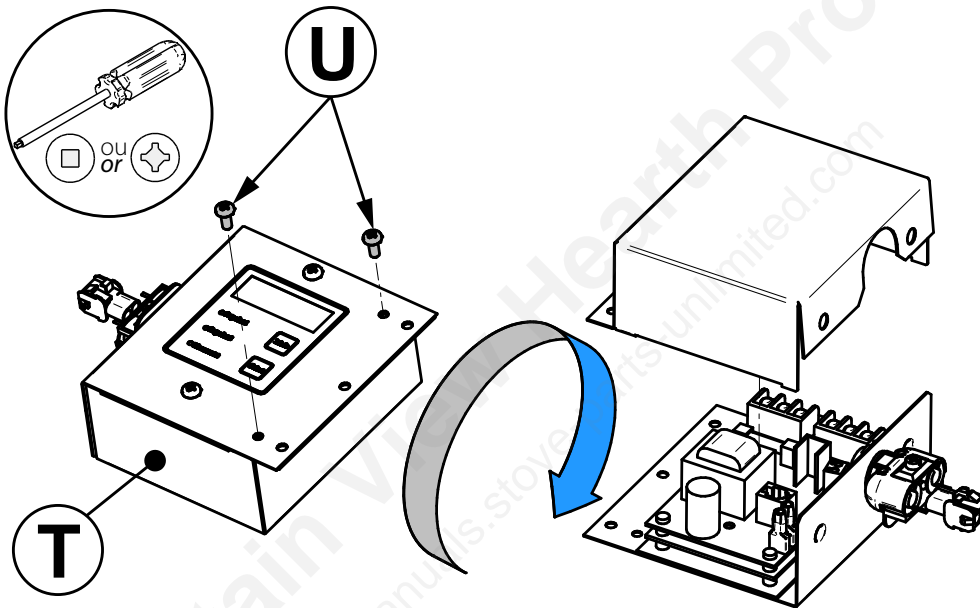
7. Push on the knockout (**R**) with a slotted screwdriver to remove it.



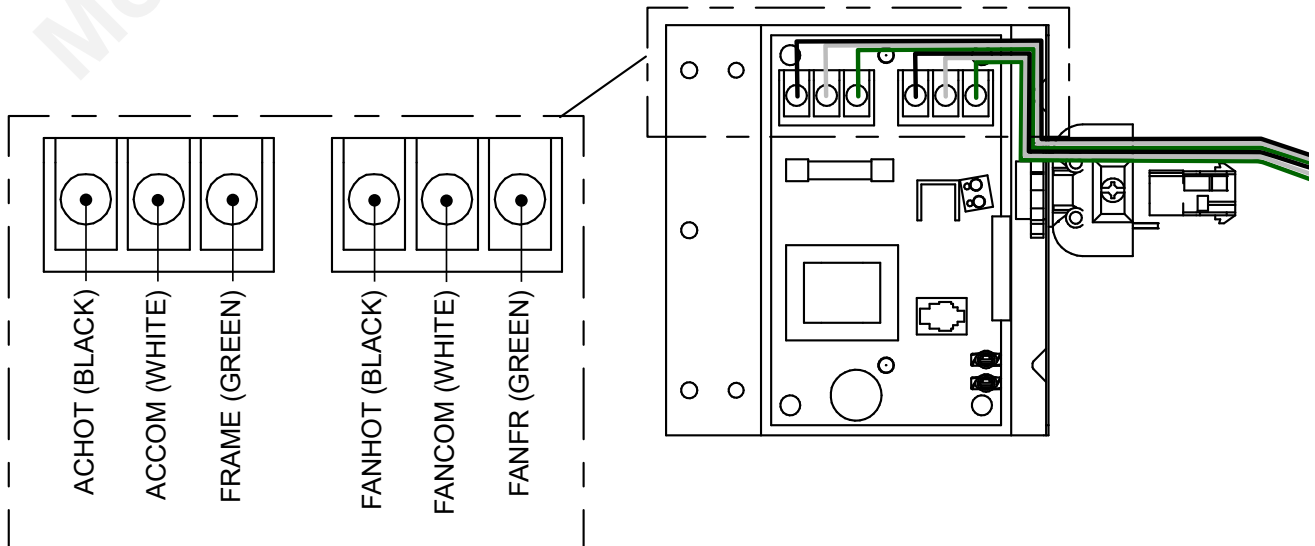
8. Install the BX wire connector (**S**) on the fireplace.



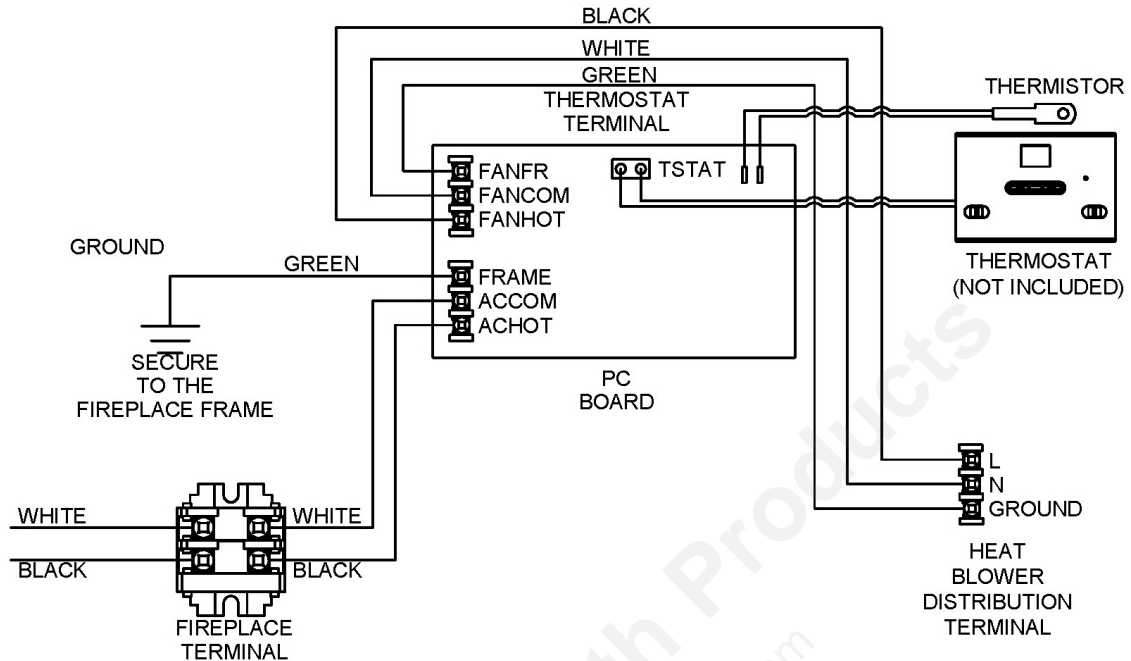
9. Remove the screws (**U**), turn the housing (**T**) over and open it. Keep the screws.



10. Connect the power supply and the fan power supply wires to the board (wire 18/3, 18 AWG). The wires should be long enough to connect to the fan and to the power terminal block.

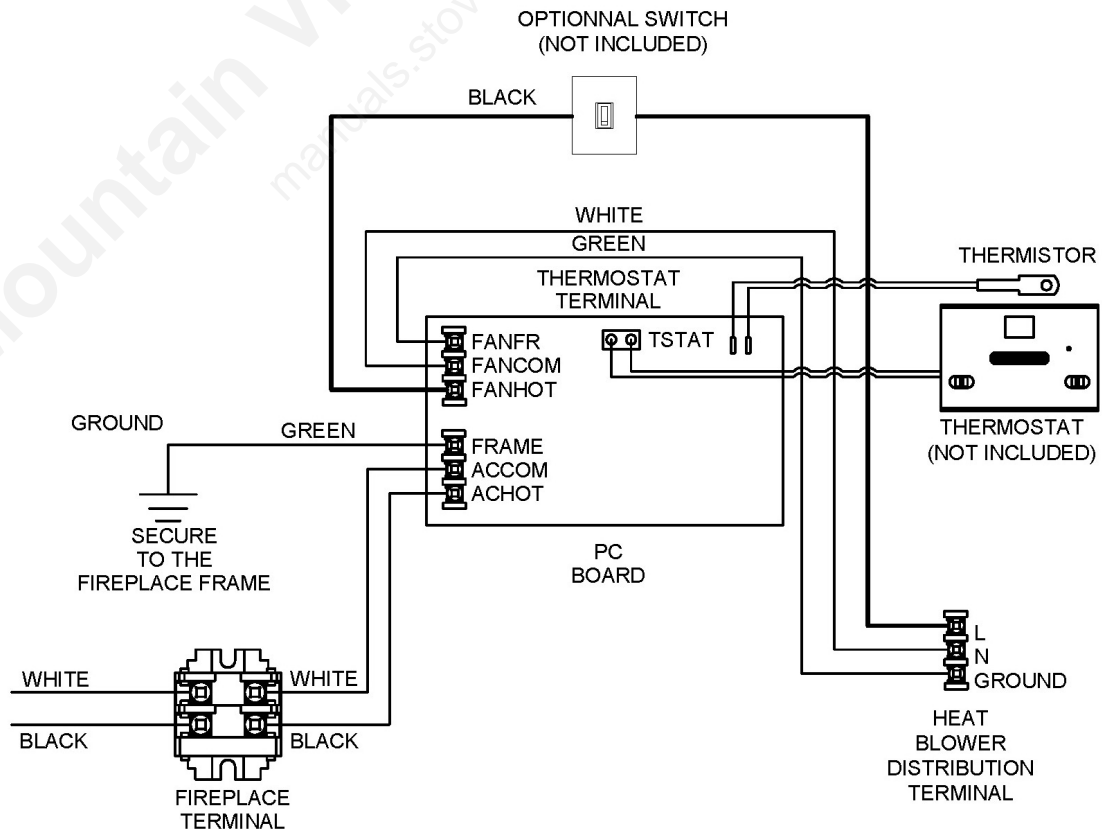


In case a wall thermostat is used, connect the 2 wires coming from the thermostat to TSTAT on the electronic board.

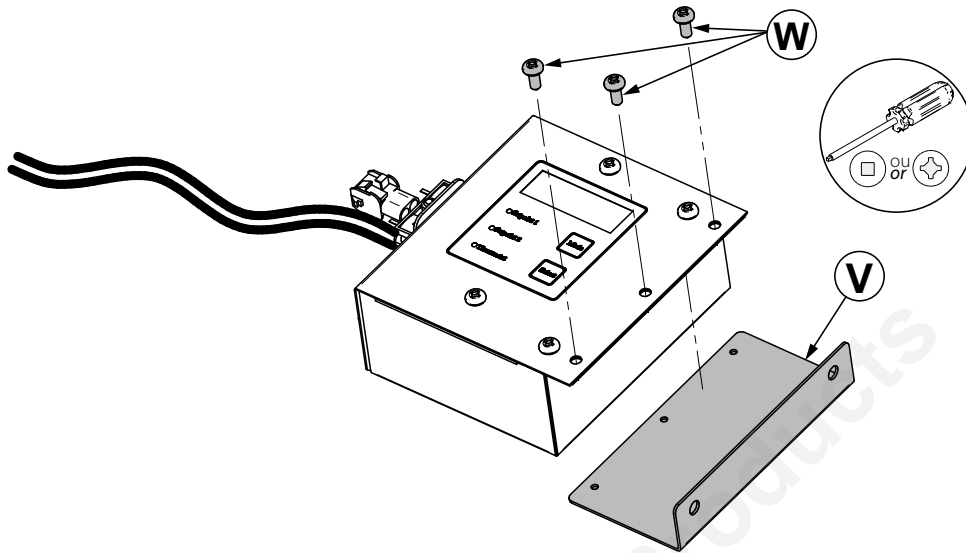


IT IS STRONGLY RECOMMENDED TO INSTALL A SWITCH (NOT INCLUDED) ON THE BLACK WIRE TO ALLOW THE FAN TO BE TURNED OFF MANUALLY BEFORE OPENING THE FIREPLACE DOORS.

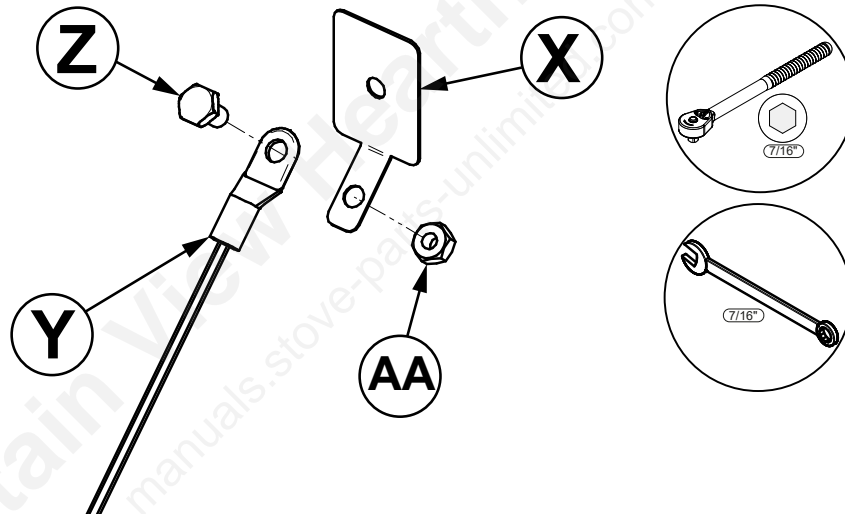
When the fan is on and the doors are open, smoke can come out of the fireplace rather than through the chimney and sparks could be drawn into the insulated pipe of the forced air distribution kit. *Note that this switch does not manually turn on the fan unless the fireplace is warm enough.*



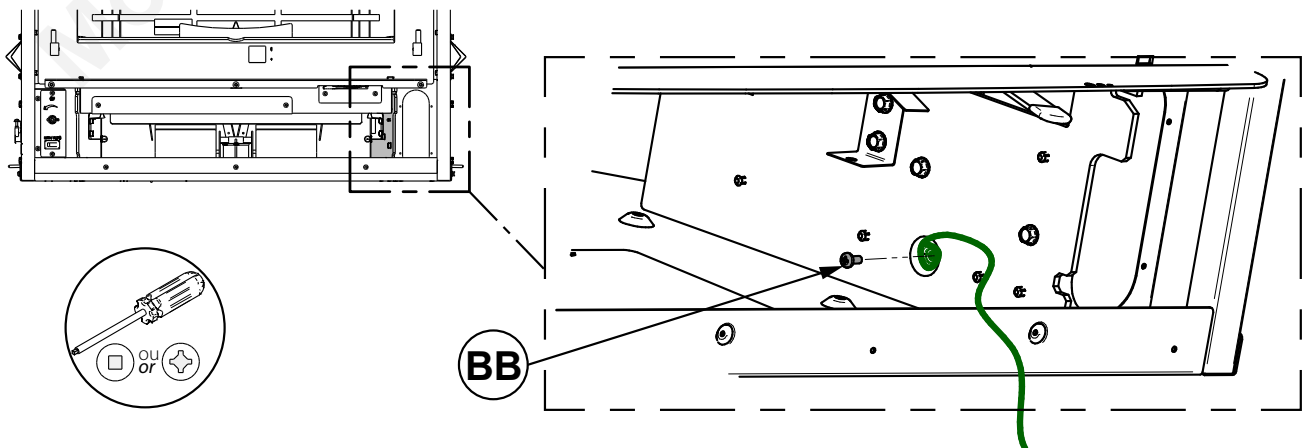
11. Close the housing and install the bracket **(V)** on the motherboard housing with the screws **(W)** provided.



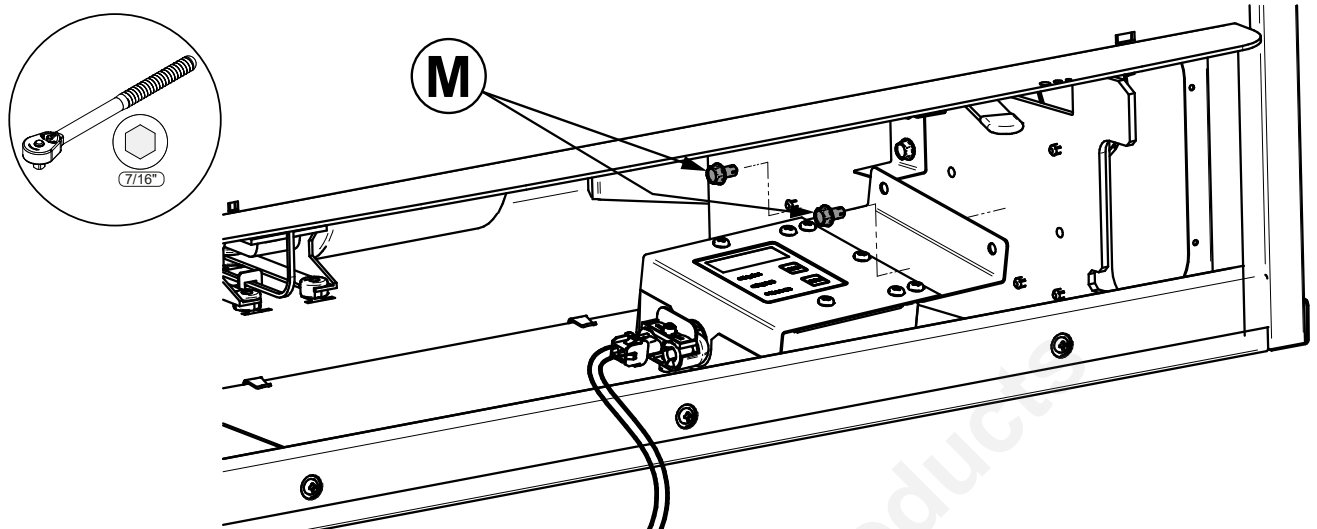
12. Install the thermistor **(Y)** on the plate **(X)** with the bolt **(Z)** and nut **(AA)**.



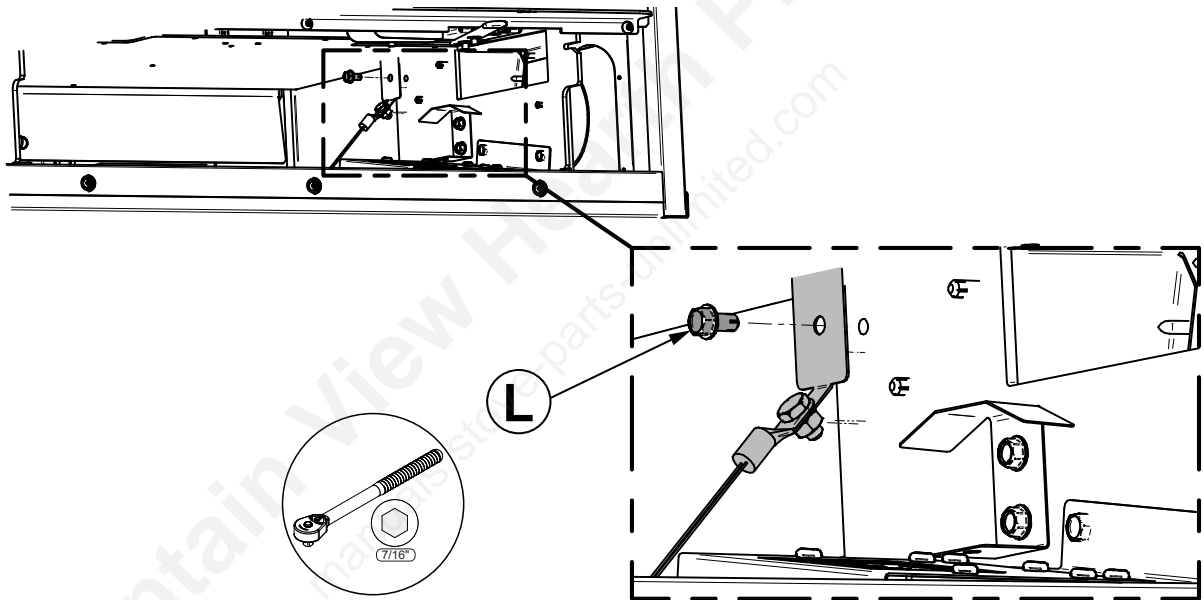
13. Connect the ground (FRAME) on the fireplace with the screw **(BB)** provided.



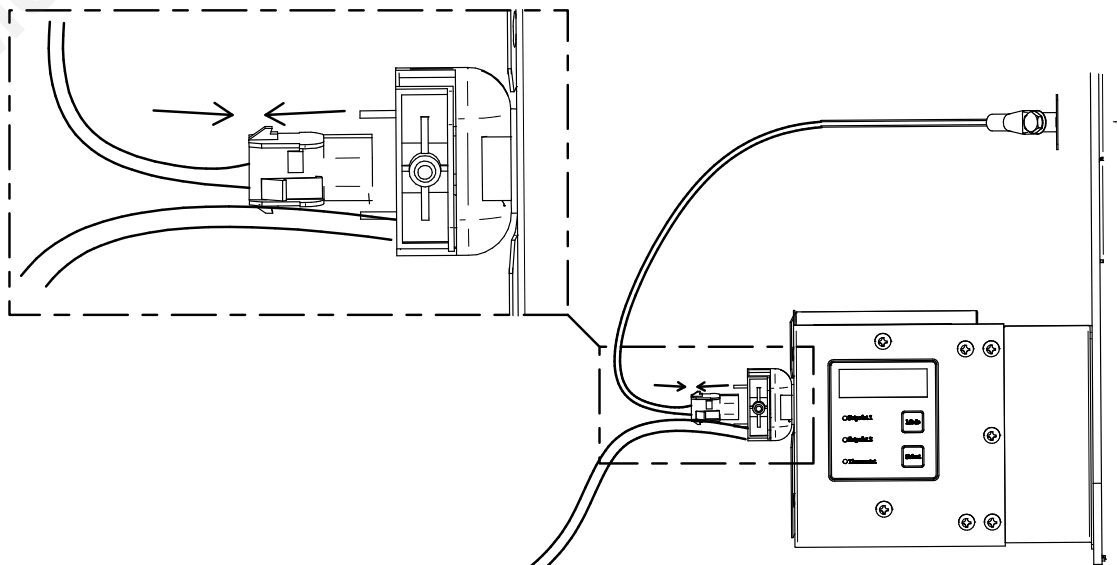
14. Install the motherboard housing on inside the fireplace with two screws **(M)** kept from step 4.



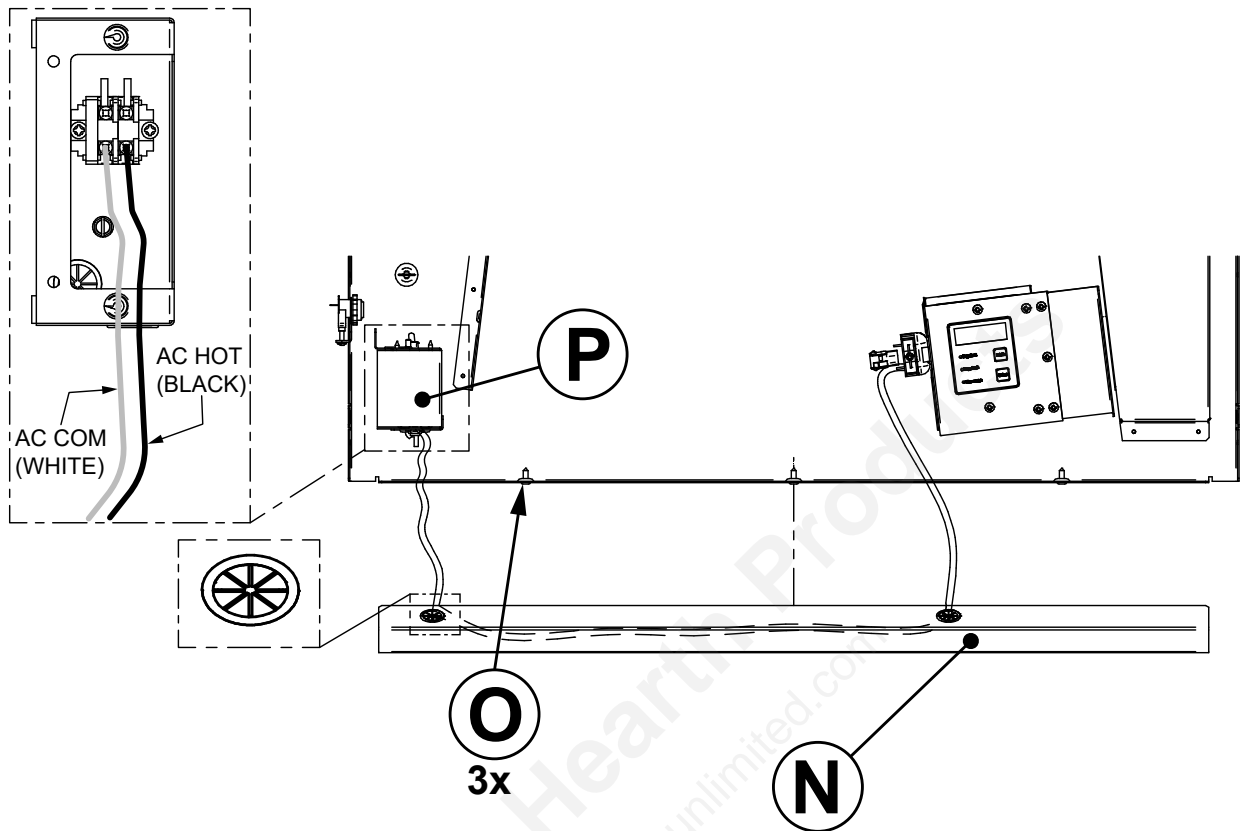
15. Install the thermistor support inside the fireplace with screw **(L)** from step 4.



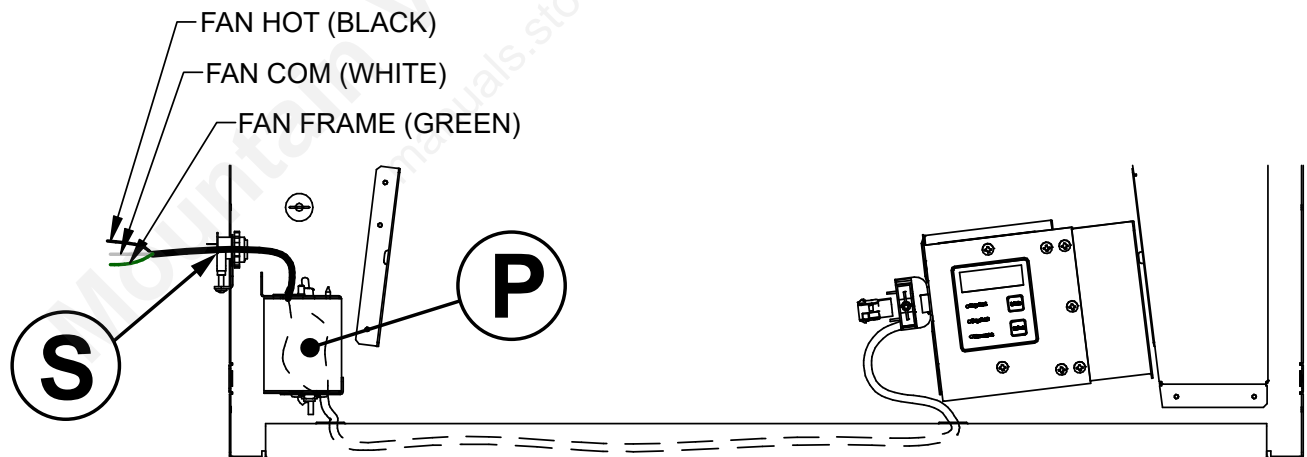
16. Hook the thermistor to the motherboard housing connector.



17. Insert the power and blower wires into the grommet of the wire cover (**N**) and reinstall it on the fireplace with screws (**O, 3x**). Connect the power wires to the terminal block (**P**) as shown below.

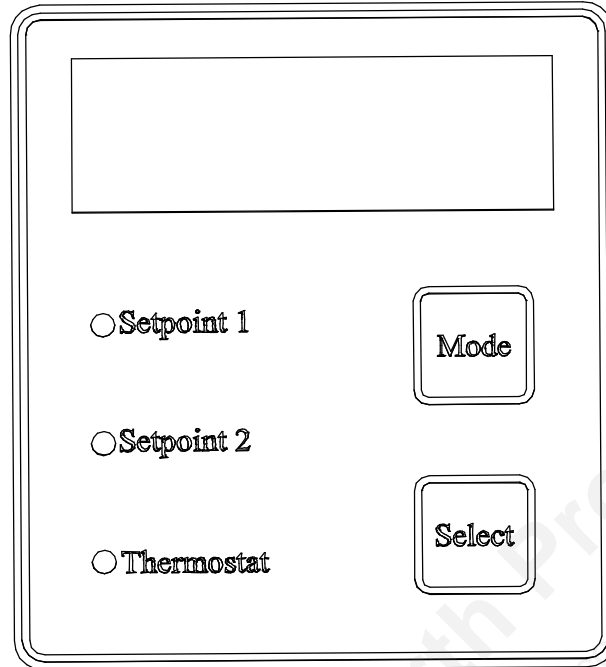


18. Pass the blower wires under the junction box (**P**) and exit the wires out of the fireplace through the BX wire connector (**S**). Connect the blower.



19. Reinstall the junction box (**P, see step 6**) and cover (**F, see step 1**).
20. Reinstall the air control housing (**K, see step 3**).
21. Reinstall the air control decorative cover (**H, see step 2**).
22. When everything is put back in place, make sure the wires are well positioned at the bottom of the fireplace and do not touch the firebox.

7. PC BOARD OPERATION & CONFIGURATION



- Press the **«Mode»** button until the desired option light turns on. Press the **«Select»** button to save that option. Available configuration options are indicated on the display located on the top of the control.
- **«Setpoint 1»** is the temperature (in Fahrenheit) at which the heat distribution blower will kick in on slower speed. You may choose between «None», «95 °F», «105 °F», «110 °F», «125 °F» or «140 °F». If «None» is selected, the heat distribution blower will not kick in until **«Setpoint 2»** temperature is reached.
- **«Setpoint 2»** is the temperature (in Fahrenheit) at which the heat distribution blower will kick in on fast speed. «Setpoint 2», will determine at what temperature (in Fahrenheit) the heat distribution blower will switch from low speed to high speed. Options for «Setpoint 2» are «120 °F», «130 °F», «140 °F», «175 °F», «190 °F» or «205 °F».
- **«Thermostat»** allows choosing the «Cool» or «Heat» option depending on where your thermostat is located. When the thermostat is located in the remote area you want to heat, the PC board will be set in «Heat» and the heat distribution blower will be activated when the temperature drops below the thermostat setpoint.
- When the thermostat is located in the same room as the fireplace, the PC board will be set in **«Cool»** so the heat distribution blower will kick in when the temperature in that room rises above the thermostat setpoint.

When manual mode is to be used, thermostat option on the PC board must be set on «Cool».

Configuration must be repeated after a power failure.

Mountain View Hearth Products
manuals.stove-parts-unlimited.com

Mountain View Hearth Products
manuals.stove-parts-unlimited.com



SBI HEATING ACCESSORIES
255 De Copenhague Street
Saint-Augustin-de-Desmaures
Québec, Canada
G3A 2H3
418-908-8002