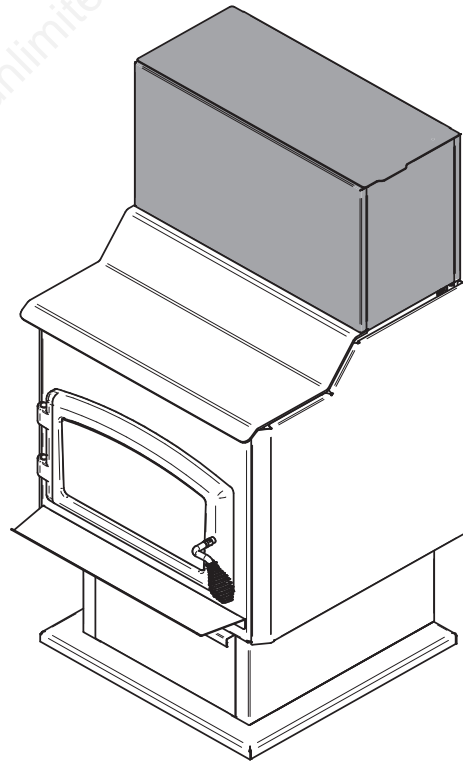
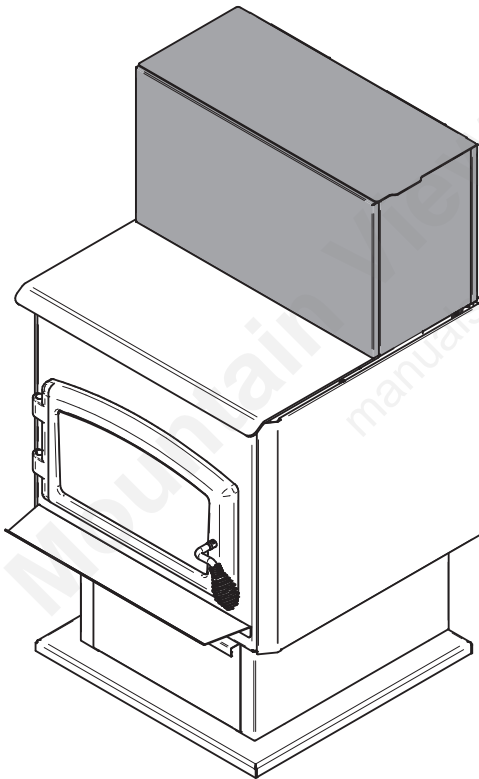




HOPPER EXTENSION

AC01393

INSTALLATION INSTRUCTIONS



Stove Builder International Inc.

250, de Copenhague street, St-Augustin-de-Desmaures
(Québec) Canada, G3A 2H3

Customer Service : 1-877-356-6663

Email : tech@sbi-international.com



This manual is available for free download on the manufacturer's website. It is a copyrighted document. Re-sale is strictly prohibited. The manufacturer may update this manual from time to time and cannot be responsible for problems, injuries, or damages arising out of the use of information contained in any manual obtained from unauthorized sources.

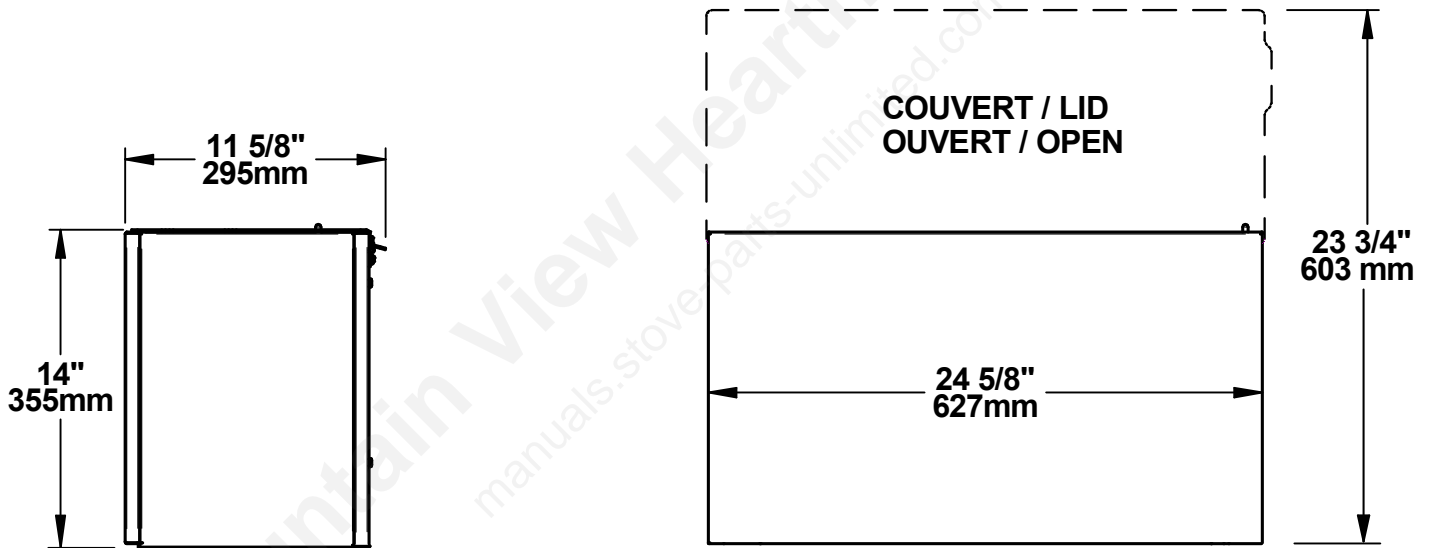
Printed in Canada

45875A
23-07-2018

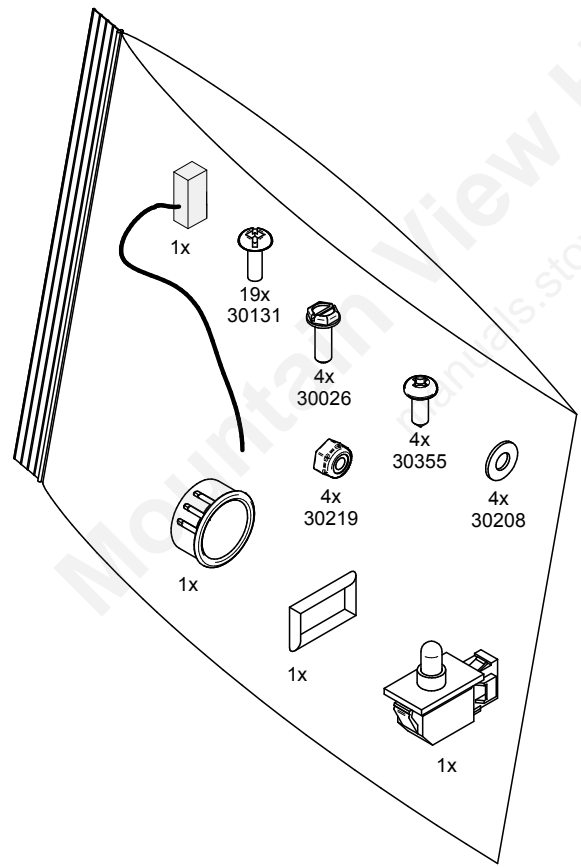
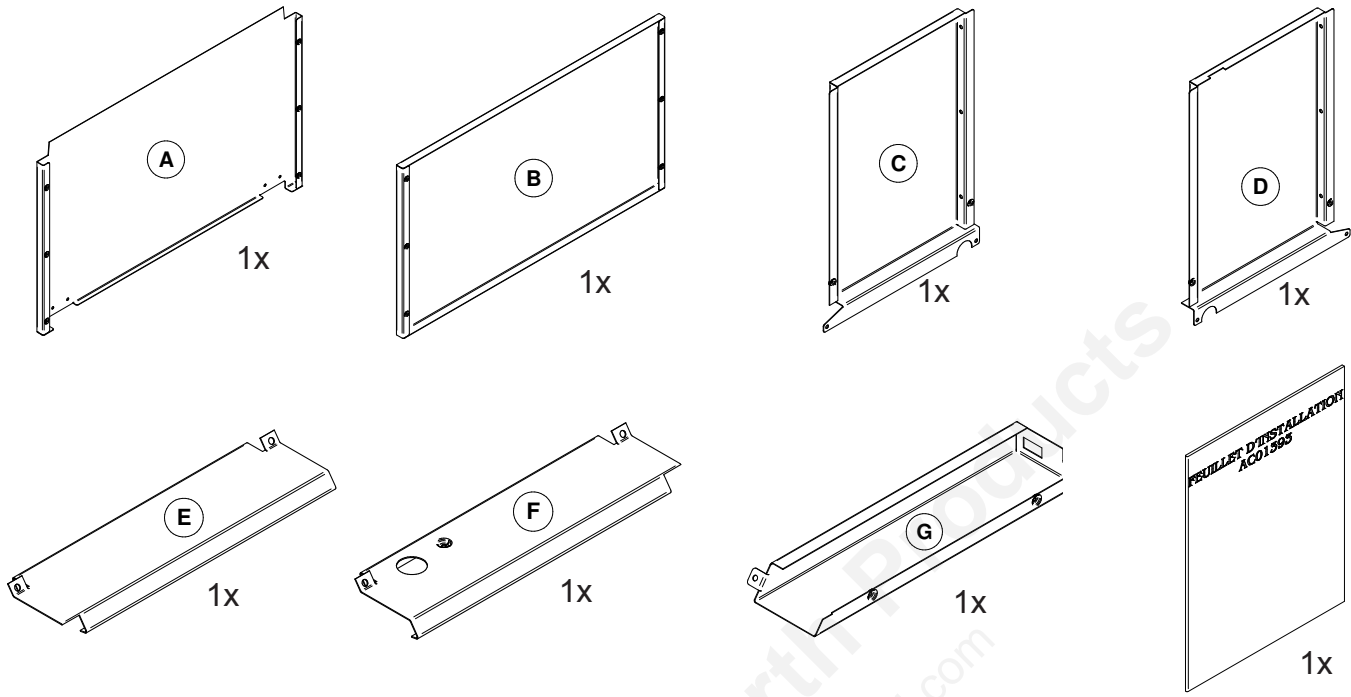
APPLICATION

This hopper extension increases the hopper capacity of 80 lb.

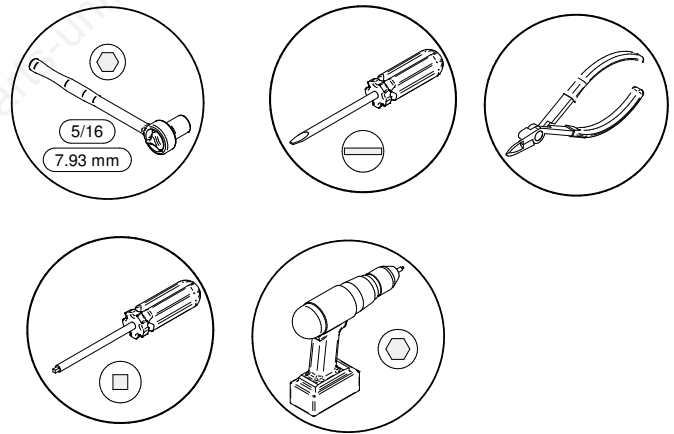
OVERALL DIMENSIONS



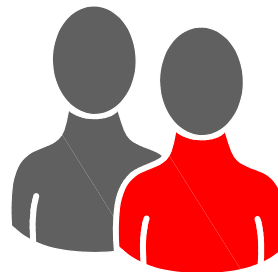
KIT CONTENTS

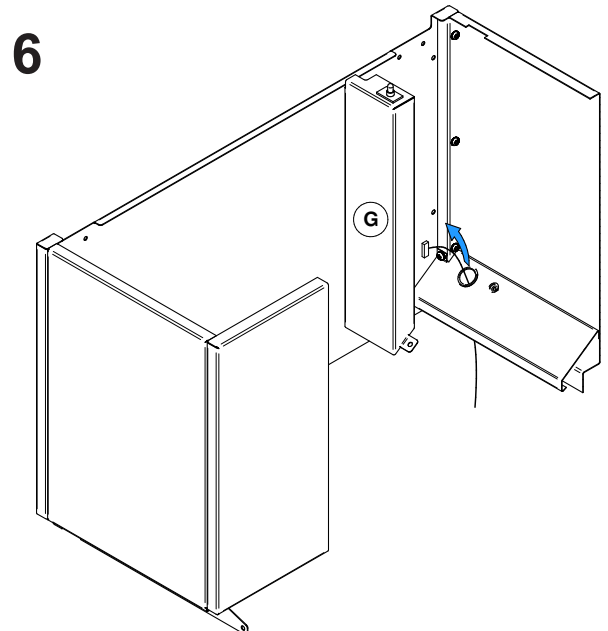
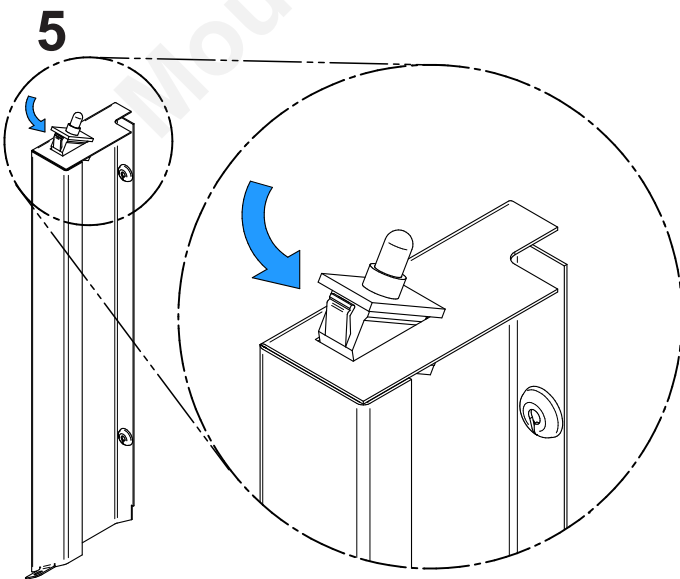
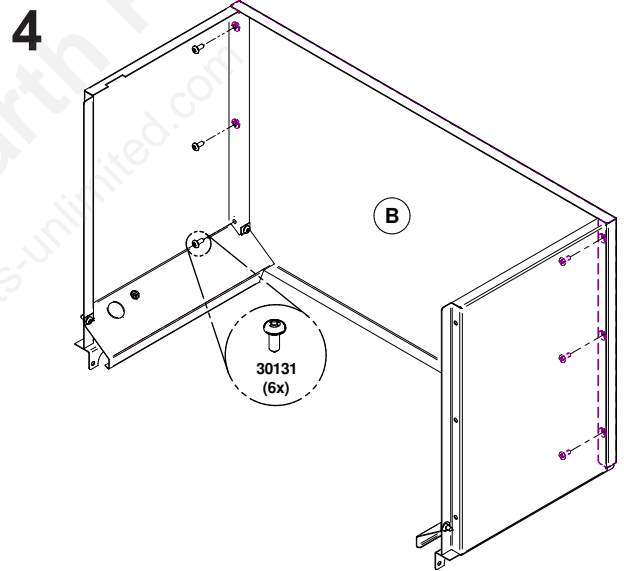
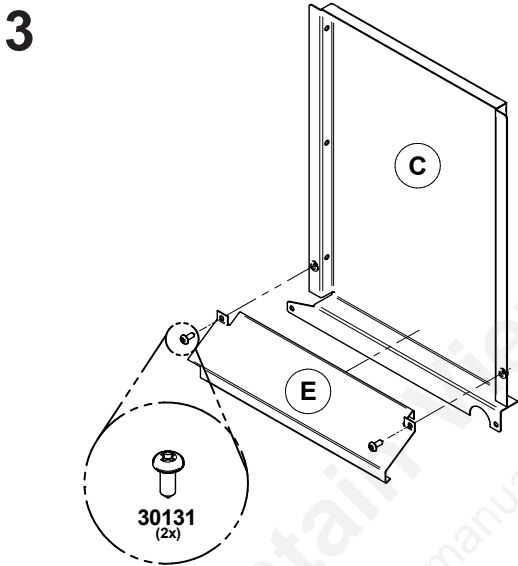
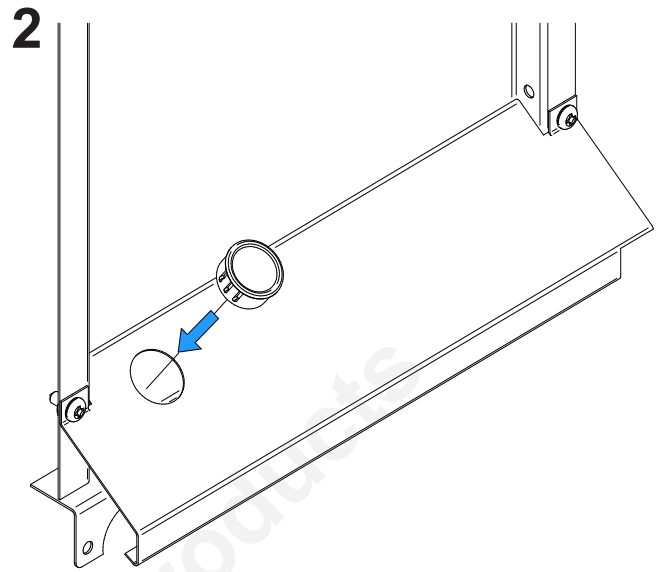
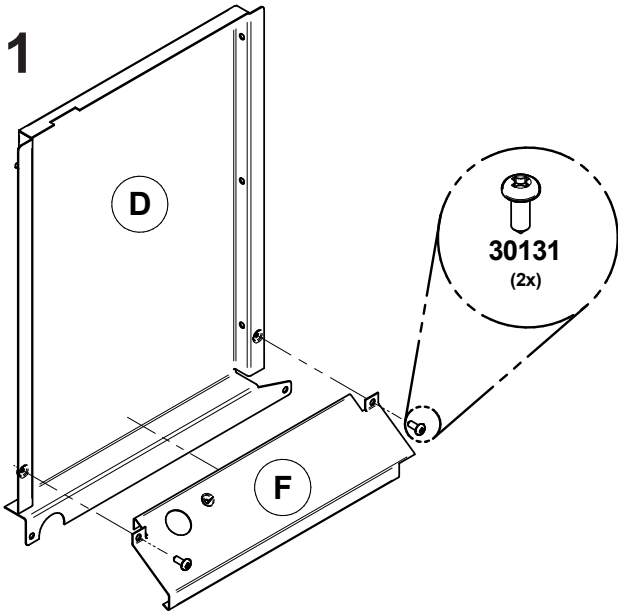


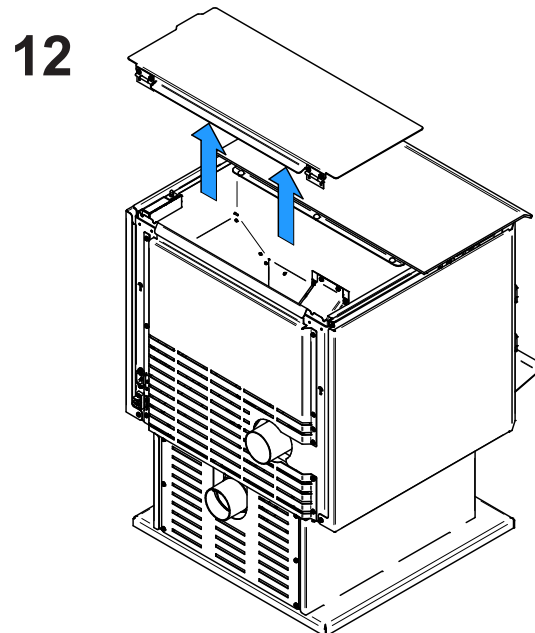
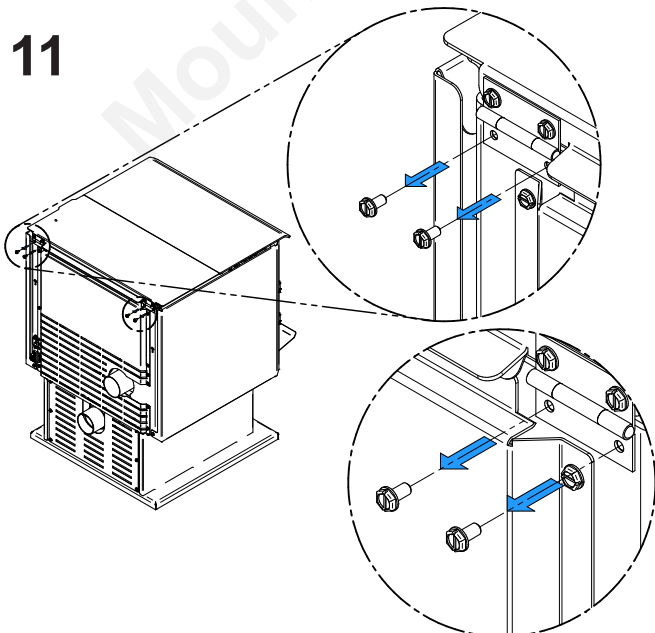
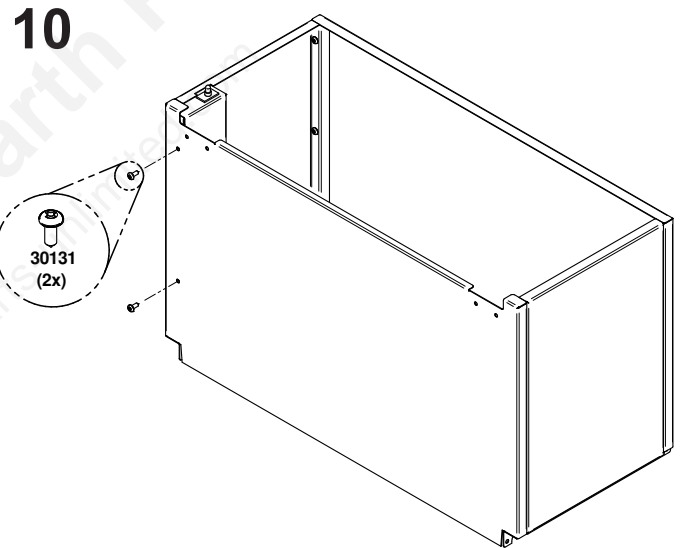
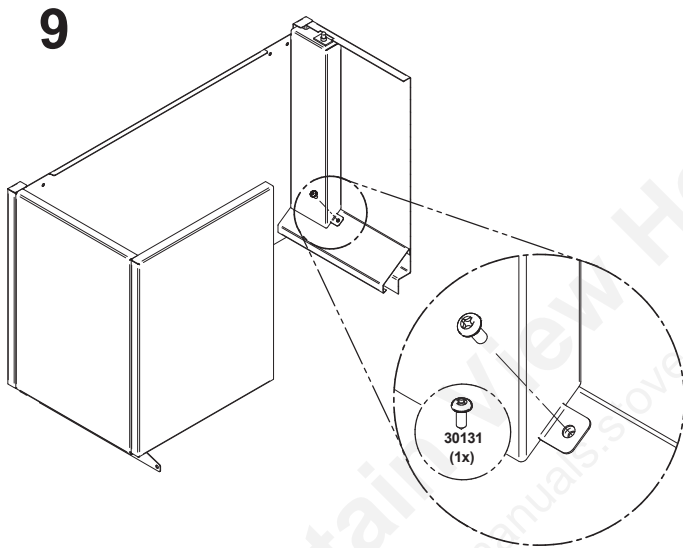
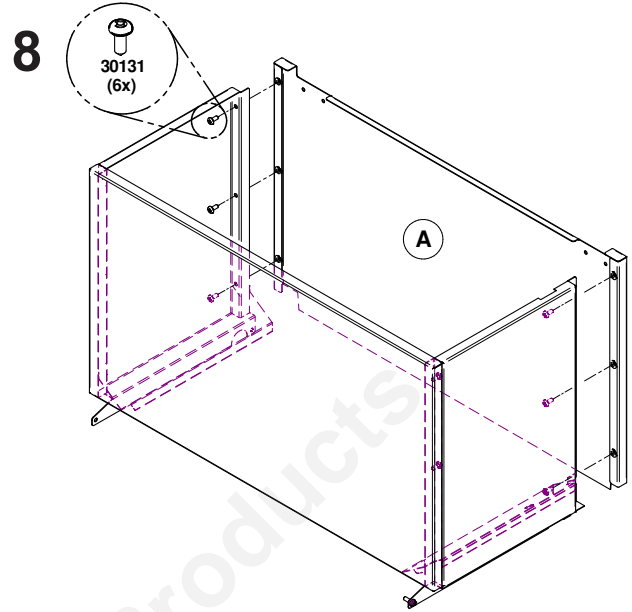
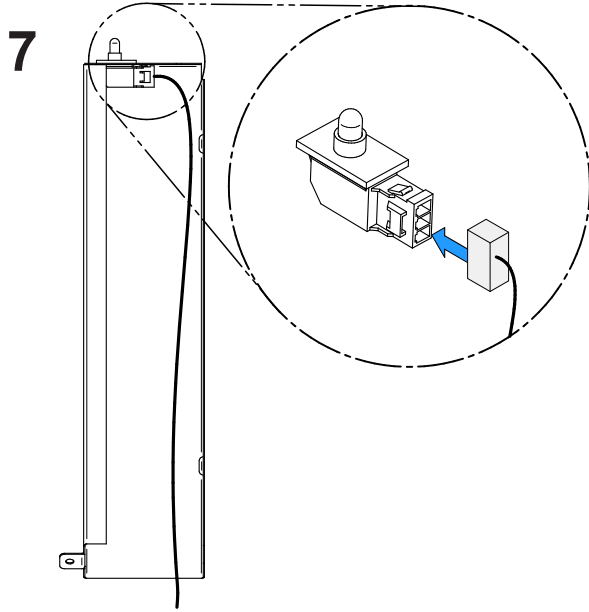
NECESSARY TOOLS

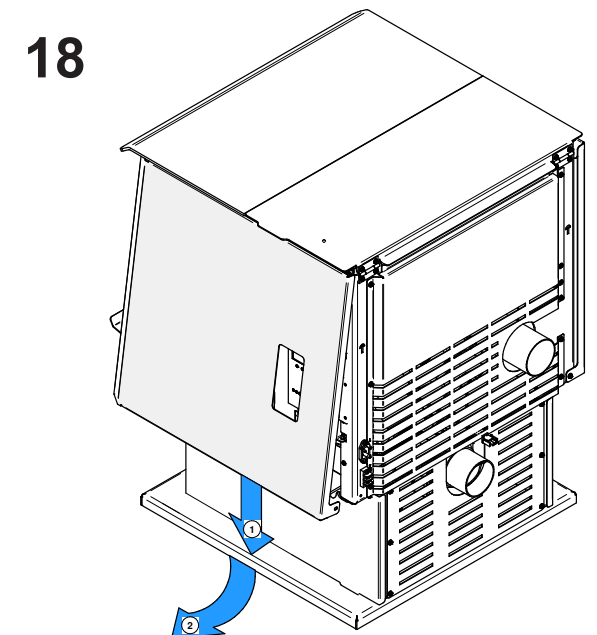
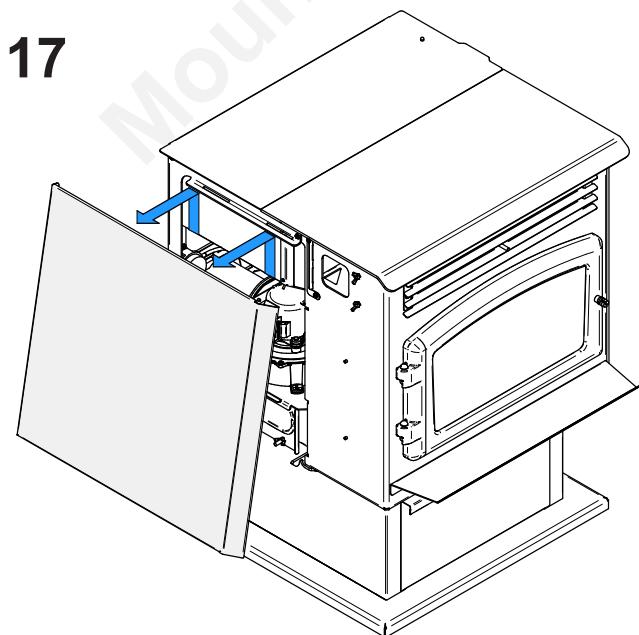
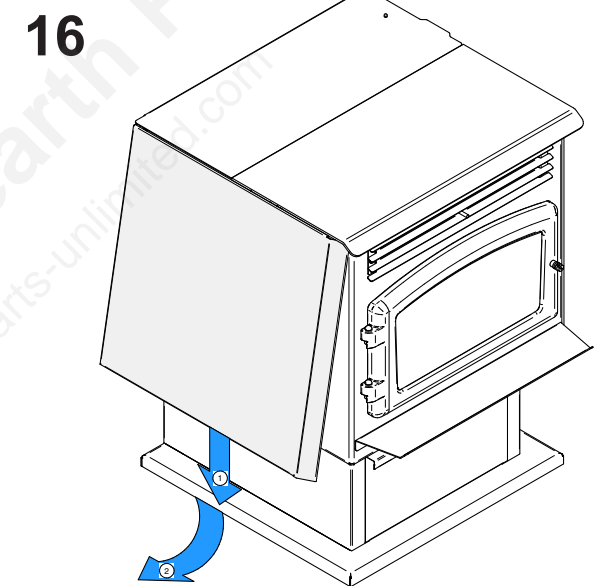
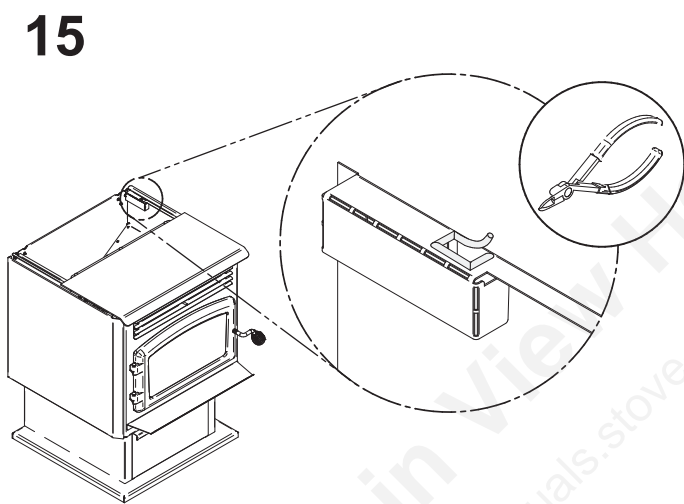
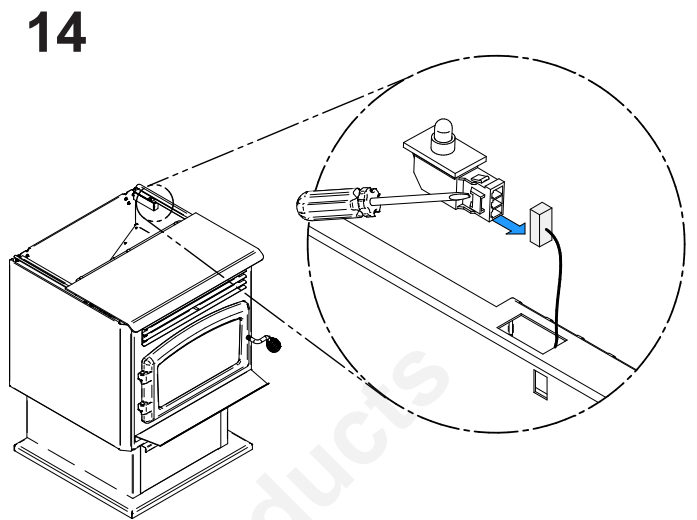
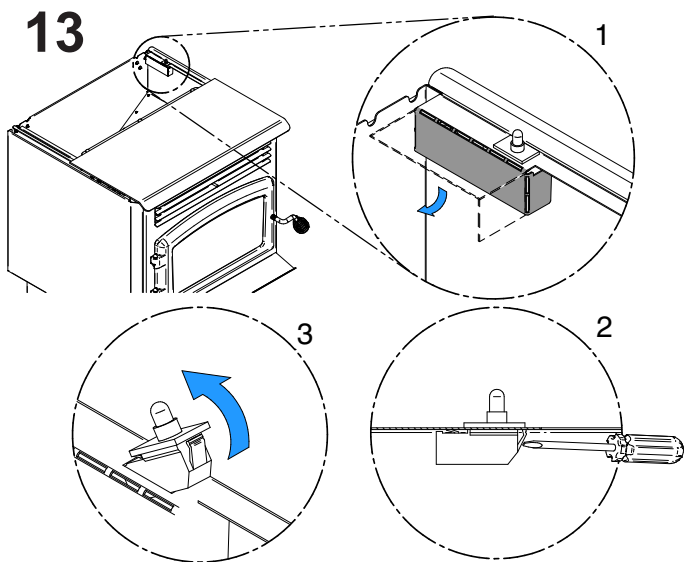


RECOMMENDATIONS

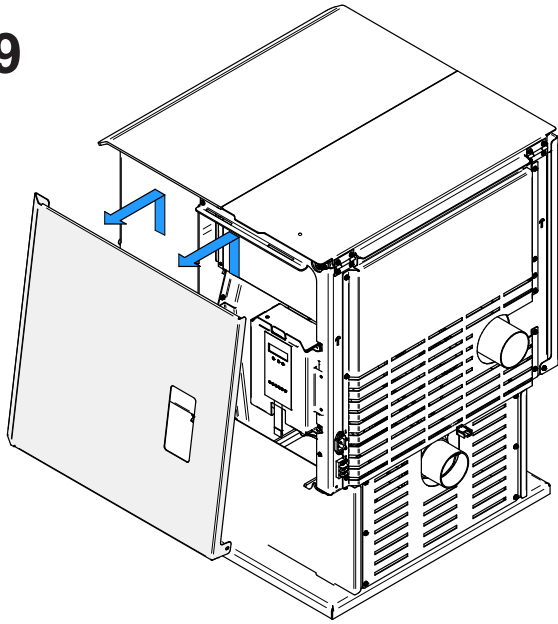




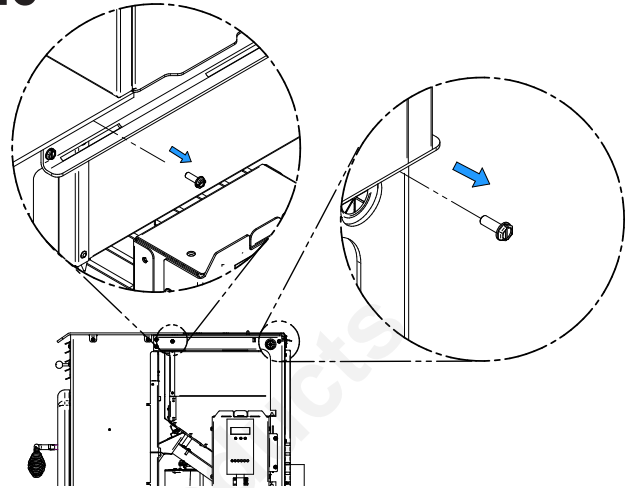




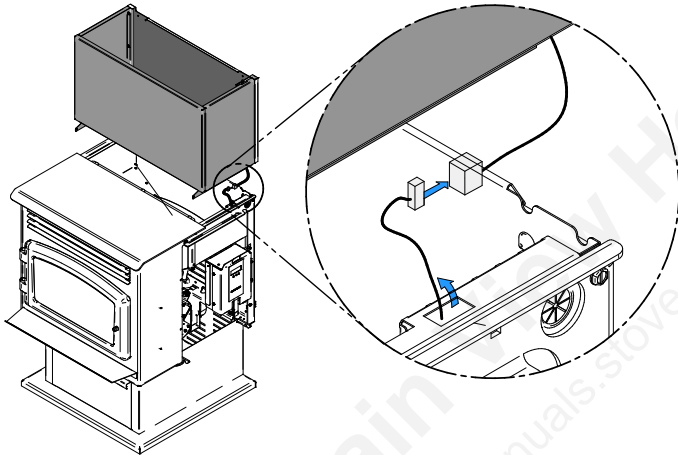
19



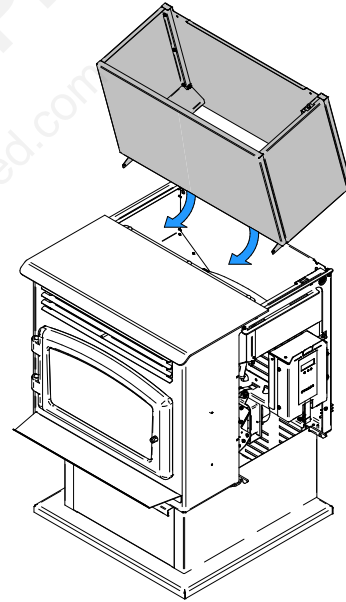
20



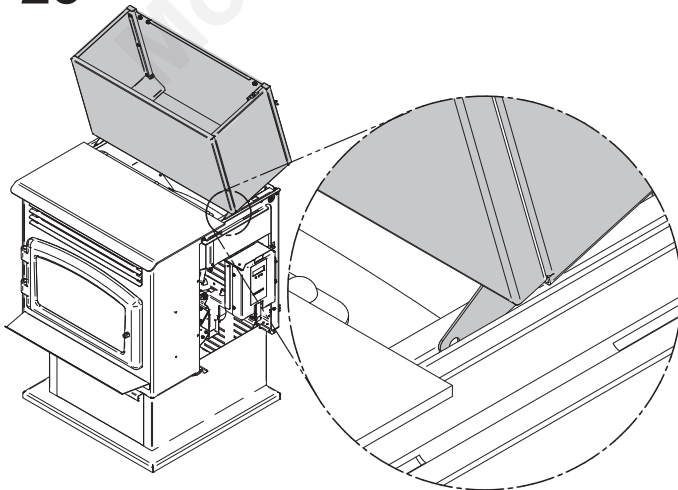
21



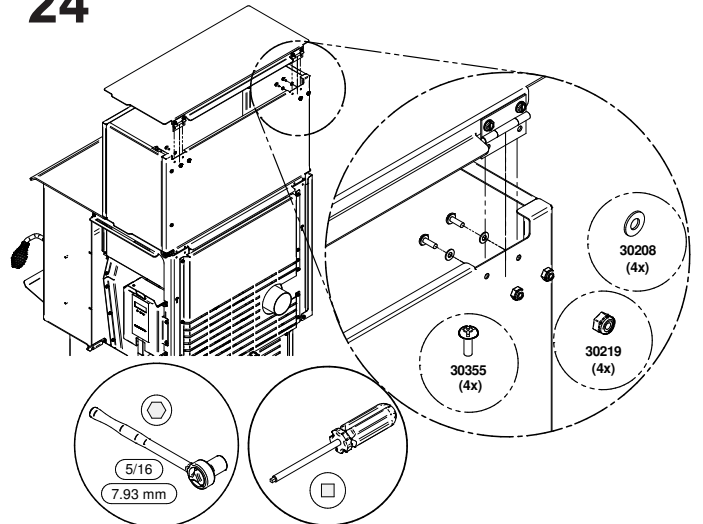
22

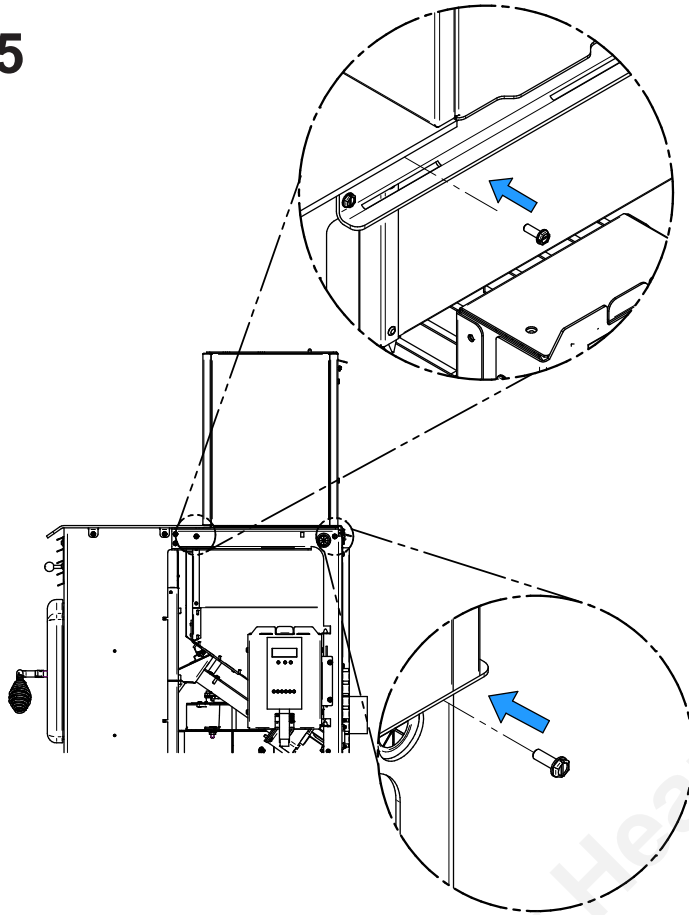


23



24





Mountain View Hearth Products
manuals.stove-parts-unlimited.com

Stove Builder International Inc.
250, de Copenhague street, St-Augustin-de-Desmaures
(Québec) Canada, G3A 2H3
Customer Service : 1-877-356-6633
Email : tech@sbi-international.com