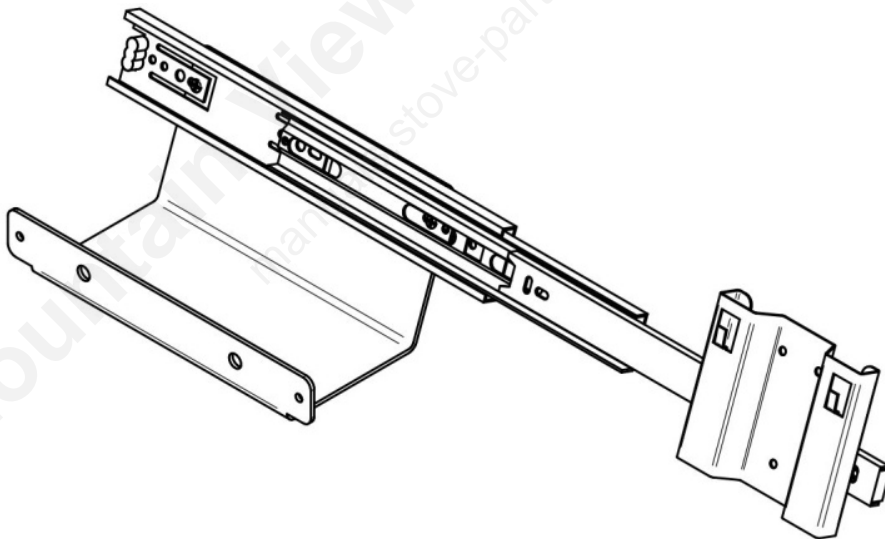




LCD TOUCH SCREEN SLIDING SYSTEM AC01453

INSTALLATION INSTRUCTION

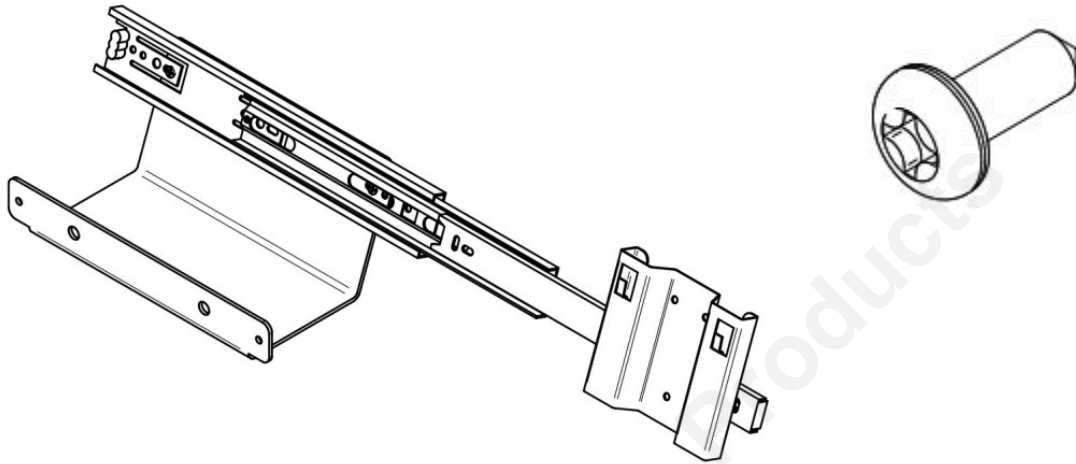


This manual is available for free download on the manufacturer's web site. It is a copyrighted document. Re-sale is strictly prohibited. The manufacturer may update this manual from time to time and cannot be responsible for problems, injuries, or damages arising out of the use of information contained in any manual obtained from unauthorized sources.

This LCD touch screen sliding system contains the following parts:

(A) – Assembled LCD touch screen sliding system

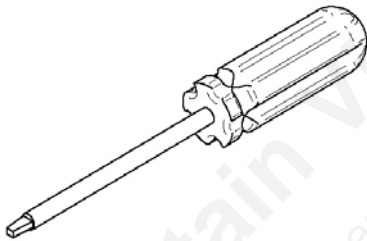
(B) - 30131



1x

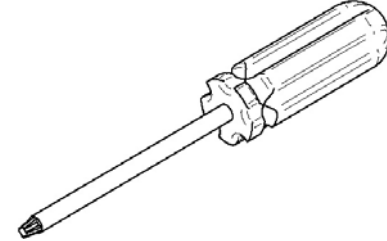
2x

Tools necessary to complete installation:



Square Screwdriver

or



Phillips Screwdriver

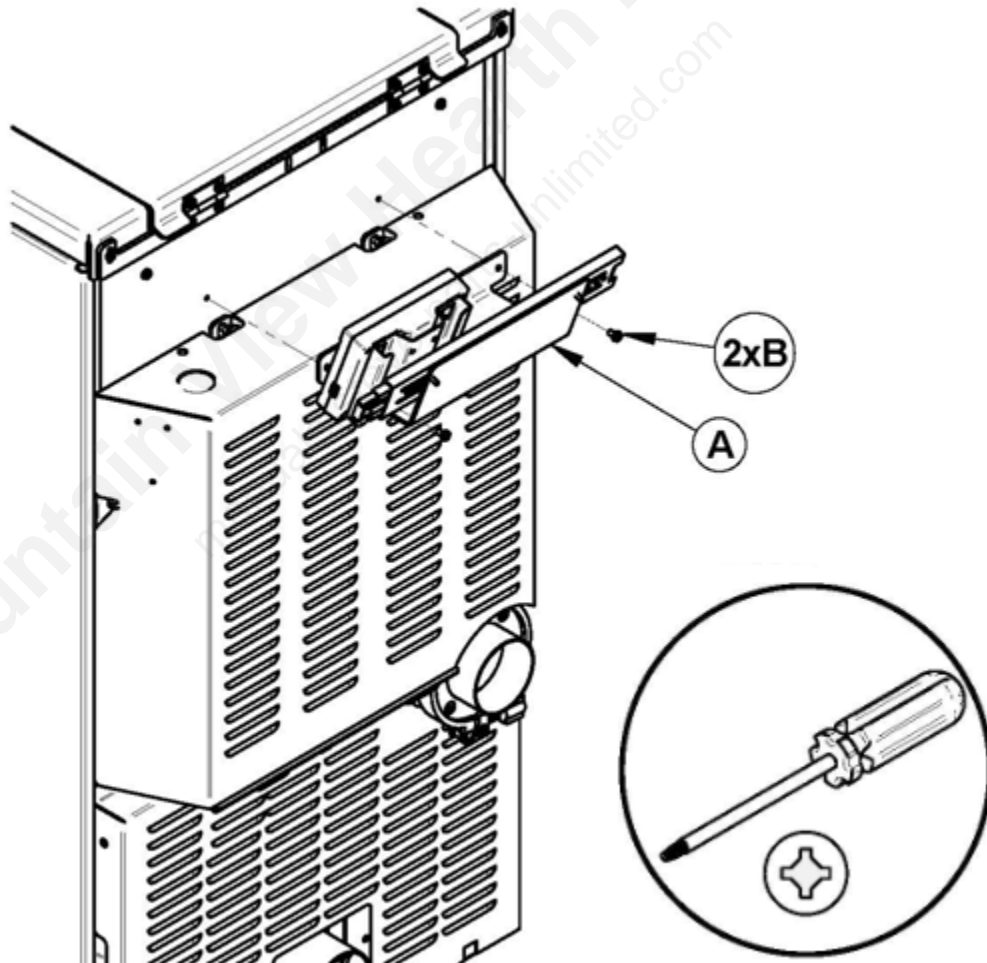
INSTALLATION

The LCD touch screen sliding system (AC01453) is designed to be installed above the top rear ventilated panel. To ensure that the sliding system can be extended to his maximal length, please refer to **Appendix A: Clearances to combustible material**.

The LCD touch screen sliding system is preassembled on the right hand side, when facing the stove, but can be installed on the opposite side (see **Step 2**).

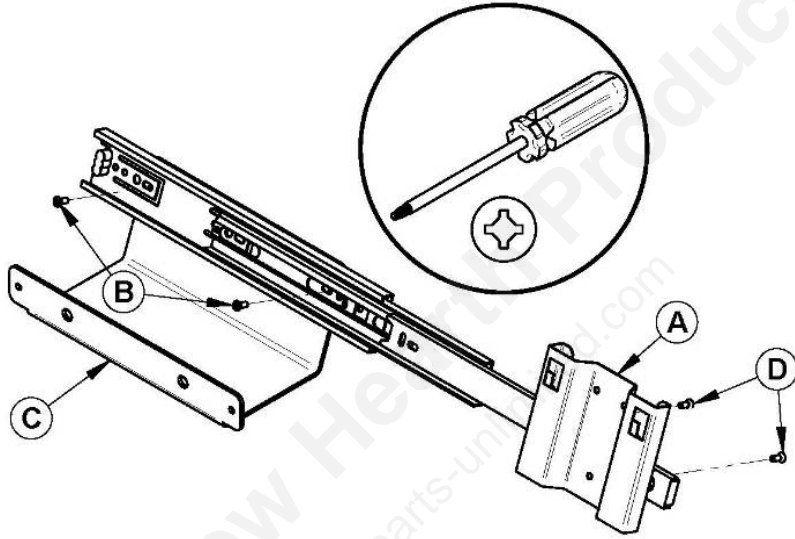
1

Take the two screws provided (**B**) and secure the mounting bracket (**A**) of the LCD touch screen sliding system on the stove's back panel.



2

To reverse the assembly to a left side configuration, extend the rail with the LCD touch screen support **(A)** in order to gain access to the two screws **(B)**. Remove the screws, rotate the rail 180° and reassemble the rail to the mounting bracket **(C)** using the screws previously removed. Then remove the 2 screws **(D)**, rotate the LCD touch screen support **(A)** and reassemble.



APPENDIX A

Clearances to Combustible Material

The clearances shown in this section have been determined by tests according to procedures set out in safety standards ULC S627 (Canada), ASTM E1509 (USA) and UL1482 (USA). When the pellet stove is installed so that its surfaces are at, or beyond, the minimum clearances specified, combustible surfaces will not overheat under normal and even abnormal operating conditions.

WARNING: NO PART OF THE STOVE MAY BE LOCATED CLOSER TO COMBUSTIBLES THAN THE MINIMUM CLEARANCES SPECIFIED ON THE CERTIFICATION LABEL.

CAUTION: NO PART OF THE PELLET VENT SYSTEM MAY BE LOCATED CLOSER TO COMBUSTIBLES THAN THE MINIMUM CLEARANCES SPECIFIED BY THE VENT MANUFACTURER.

CAUTION: DO NOT USE MAKESHIFT MATERIALS OR MAKE ANY COMPROMISES WHEN INSTALLING THIS STOVE.

Certification Label Location

Since the information given on the certification label affixed to the stove always overrides the information published in any other media (owner's manual, catalogues, flyers, magazines and/or web sites), it is important to refer to it in order to have a safe and compliant installation. In addition, you will find important information about your stove (model, serial number, etc.). You will find the certification label on the inner side of the hopper lid of the stove.

Appliance's Minimum Clearances to Combustibles

WARNING: MINIMUM CLEARANCES IN THE TABLE BELLOW DO NOT TAKE INTO ACCOUND THE MINIMUM SPACE NEEDED TO ALLOW THE LCD TOUCH SCREEN SLIDING SYSTEM TO MOVE FREELY AND TO FULLY EXTEND (SEE *BACK WALL INSTALLATION* SECTION AND *CORNER INSTALLATION* SECTION).

LETTER	MINIMUM CLEARANCES TO COMBUSTIBLES	
	CANADA	USA
A*	1" (25 mm)	1" (25 mm)
B	4" (102 mm)	4" (102 mm)
C	1" (25 mm)	1" (25 mm)
D	Refer to vent manufacturer's clearances	Refer to vent manufacturer's clearances
I	54" (1 372 mm)	54" (1 372 mm)

LETTER	RECOMMENDED CLEARANCES FOR MAINTENANCE	
	CANADA	USA
A*	12" (305 mm)	12" (305 mm)
B	24" (610 mm)	24" (610 mm)
C	12" (305 mm)	12" (305 mm)
D	Refer to vent manufacturer's clearances	Refer to vent manufacturer's clearances

* From rear panel.

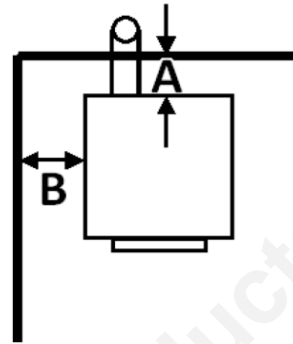
Note: These clearances are also valid for an *alcove* installation.

WARNING: IF THE STOVE IS INSTALLED IN AN ALCOVE, TO PERFORM MAINTENANCE, YOU SHOULD EXPECT TO MOVE THE APPLIANCE TO GET TO THE MAINTENANCE ACCESS DOORS AND COMPONENTS.

Back Wall Installation

With Optional LCD touch screen sliding system:

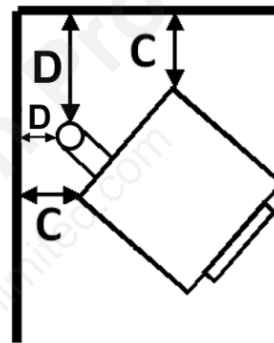
In order to allow the optional LCD touch screen sliding system to move freely and to fully extend, you should allow a minimum of 7 1/2" (190 mm) clearance from the side wall (**B**) and 2" (52 mm) clearance at the back of the stove, from the rear panel (**A**). You may also install the LCD touch screen sliding system on the left side of the stove.



Corner installation

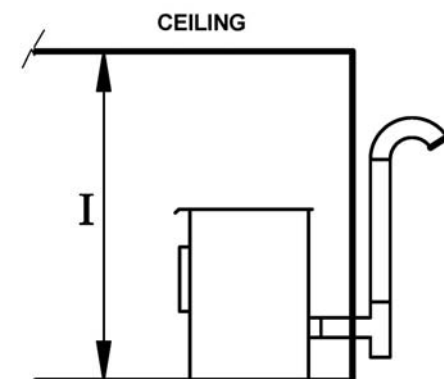
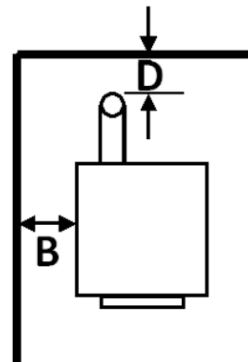
With Optional LCD touch screen sliding system:

In order to allow the LCD touch screen sliding system to move freely and to fully extend, you should allow a 10" (254 mm) minimum clearance from the adjacent wall (**C**). You may also install the LCD touch screen sliding system on the left side of the stove.



Ceiling Clearances

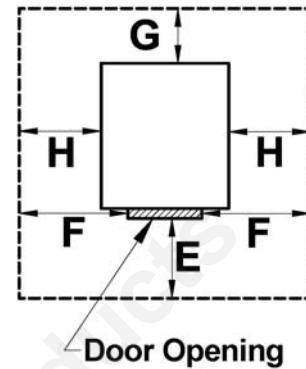
For ceiling clearances refer to the first table.



Floor protection

For floor protection clearances refer to the following table:

LETTER	FLOOR PROTECTION	
	CANADA	USA
E	18" (460 mm)	6" (155 mm)
F	N/A (USA only)	6" (155 mm)
G	8" (205 mm)	N/A (Canada only)
H	8" (205 mm)	N/A (Canada only)



CAUTION: THE STOVE MUST BE PLACED ON A CONTINUOUS (GROUTED JOINTS) NONCOMBUSTIBLE MATERIAL SUCH AS CERAMIC TILE*, CEMENT BOARD, BRICK, MILLBOARD OR EQUIVALENT, OR ANY OTHER APPROVED OR LISTED MATERIAL SUITED FOR FLOOR PROTECTION.

**Any type of tile will require a continuous non combustible sheet beneath to prevent the possibility of embers falling through to the combustible floor if cracks or separation should occur in the finished surface, this would include floor protection for built-in raised hearths. Check local codes for approved alternatives.*

Stove Builder International Inc.

250 rue de Copenhague, Saint-Augustin-de-Desmaures
(Québec), Canada G3A 2H3

After-sale service: 418-908-8002
E-mail: tech@sbi-international.com