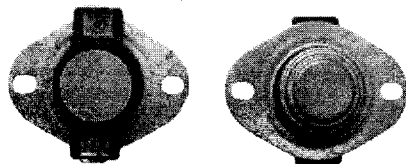


# Snap Disc

## Installation Instructions



### Parts Included

- 1- Snap Switch
- 2- Screws
- 1- Bracket

### PART NUMBER

- KS-5100-1320
- KS-5100-1330
- KS-5100-1340
- KS-5100-1321

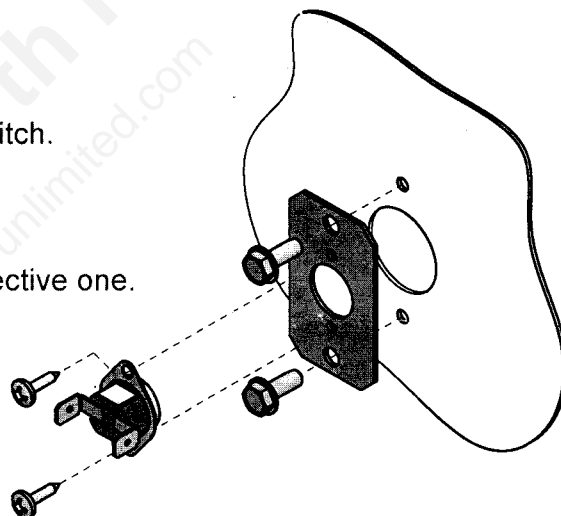
### Recommended Tools:

- 7/16" Socket
- Philips Screw Driver

**NOTE: Always Disconnect Power Before Performing Service Work**

### Installation:

1. Unplug stove's power chord from wall outlet.
2. Remove left side panel and locate defective snap switch.
3. Unplug power lead from defective snap switch.
4. Unscrew bolts from snap switch and remove the defective one.
5. Screw in bracket onto the unit.
6. Screw in bolts to hold snap switch in place.
7. Plug in power leads into snap switch.
8. Re-install left side panel and plug stove into wall outlet.



\*\* For KS-5100-1340: When replacing a snap switch mounted to the exhaust blower on a pre-2013 unit an extra hole will need to be drilled and plugged with the original screw. -See photo-

