

QUADRA-FIRE®

CONTROL BOX REPLACEMENT INSTRUCTIONS

PARTS:

SRV7000-206

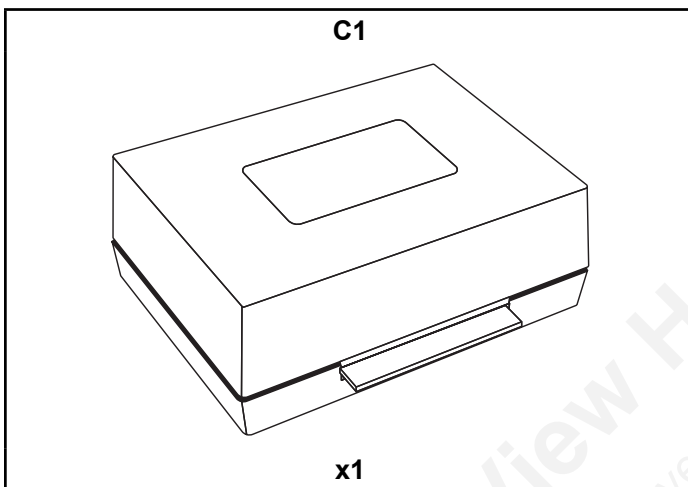
SRV7000-704

FOR PELLET APPLIANCES:

CASTILE
CASTILE INSERT
CLASSIC BAY 1200
CLASSIC BAY 1200 INSERT

MOUNT VERNON
SANTA FE
SANTA FE INSERT

Included in Kit:



Tools Required:

Flat Head Screwdriver

Included in kit:

Quantity one (1) Control Box (C1).

	SRV7000-206	SRV7000-704
Castile Stove		X
Castile Insert		X
CB1200 Stove		X
CB1200 Insert		X
Mt. Vernon Stove (pre AE)	X	
Santa Fe Stove		X
Santa Fe Insert		X

Table 1

Proper Shutdown Procedure for Quadra-Fire Original Energy (OE) Appliances



CAUTION

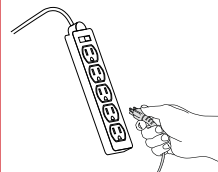


Shock and Smoke Hazard

- Turn down thermostat, let appliance completely cool and exhaust blower must be off. Now you can unplug appliance for servicing.
- Smoke spillage into room can occur if appliance is not cool before unplugging.
- Risk of shock if appliance not unplugged before servicing appliance.



CAUTION



Unplug appliance before servicing.
Damage to control box can occur.

A - Model Selection Switch

1. **Select the correct box** - There are two different types of control boxes, one is a 3-speed and the other is a 4-speed. The 4-speed control box has a yellow label is for the Mt. Vernon ONLY. The 3-speed is for the pellet appliances listed to the left in **Table 1** which has a white label on the control box.

NOTICE: THE 3-SPEED AND 4-SPEED CONTROL BOXES ARE NOT INTERCHANGEABLE.

2. **Select the correct model setting** - You will need to set the control box to the proper setting for each individual model. Refer to **Table 2 on the page 2** to determine the setting for your particular installation.

Model Selection Switch Settings

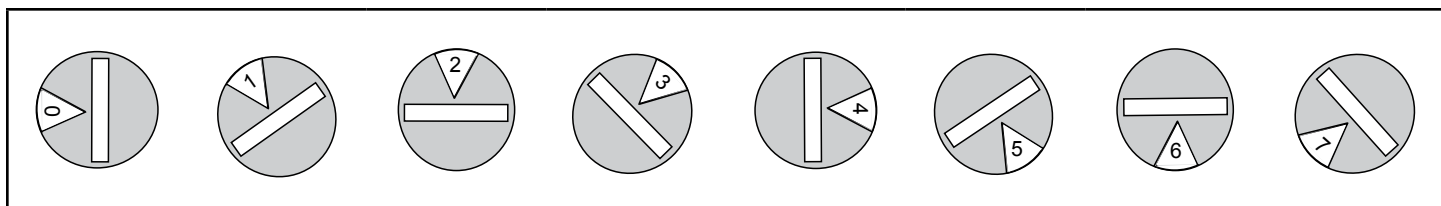


Table 2

B - Model Selection Blue Blinking Light

3. **Confirm selection with blinking light** - After installing the control box you will need to confirm the model selection by observing the blue blinking light (**Figure 1**) and verify that it is blinking the correct amount of times for that setting; use **Table 3** and **Table 4** below.

NOTE: When you plug in the appliance the blue light will automatically start blinking and will go off after 1 minute.

Model Selection Switch is shown with the cover off. Insert flat head screwdriver and rotate cover to expose desired setting number (**Figure 1**).

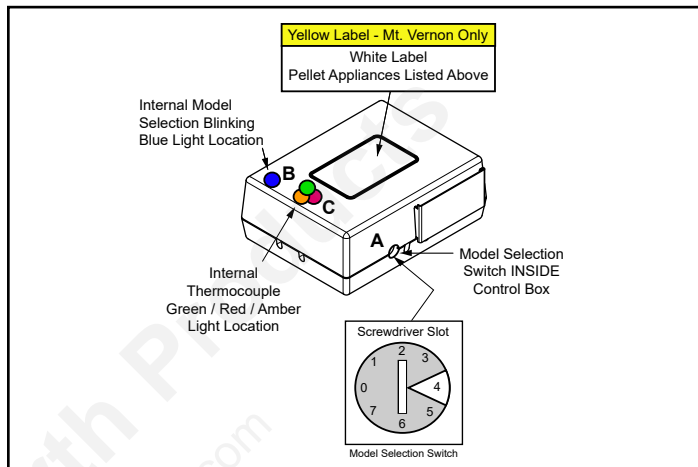


Figure 1

3-Speed Control Box Settings (White label)

Settings	0	1	2	3	4	5	6	7
Action	Steady on 4 of 10 seconds for the first 60 seconds after power up	1 blink every 10 seconds for the first 60 seconds after power up	2 blinks every 10 seconds for the first 60 seconds after power up		4 blinks every 10 seconds for the first 60 seconds after power up	5 blinks every 10 seconds for the first 60 seconds after power up	6 blinks every 10 seconds for the first 60 seconds after power up	7 blinks every 10 seconds for the first 60 seconds after power up
Model	Diagnostic	1200 FS & 1200-I	1200 FS/ Ins +10%*	Not Used	Contour FS	Contour +10%*	Castile FS/I Santa Fe FS/I	Castile FS/I Santa Fe FS/I +10%*

Table 3

4-Speed Control Box Settings (Yellow label)

Settings 4 - / are not used

Settings	0	1	2	3
Action	Steady on 4 of 10 seconds for the first 60 seconds after power up	1 blink every 10 seconds for the first 60 seconds after power up	2 blinks every 10 seconds for the first 60 seconds after power up	3 blinks every 10 seconds for the first 60 seconds after power up
Model	Diagnostic	Mt.Vernon	Mt.Vernon +10%*	Mt. Vernon -20%**

Table 4

4. **Verify operation of appliance** - Verify flame height and performance and that the appliance is functioning properly.

C - Thermocouple Light

Previously there were 2 thermocouple lights; green and red, and they would turn on independently. This control box only has 1 light and it functions the same way as the 2 lights (**Figure 1 on page 2**). The internal light will turn green when the thermocouple has reached 200°F and the same light will turn red when it reaches 600°F.

The thermocouple light will turn an amber color (**Figure 1 on page 2**) and flash 3 times, pauses and then repeats this process. This indicates there is a problem with the thermocouple. Please check the circuit and replace the thermocouple if necessary.

NOTICE: The following settings can ONLY be performed by an authorized dealer or a service technician.

Diagnostic Mode - Setting #0

This setting performs a self-test on the appliance. In order for some of the components to turn on, you must first **unplug the appliance** and then jump the vacuum switch and the #1 snap disc before beginning the test.

Plug in the appliance and select diagnostic setting. The following components will each turn on sequentially and run for 10 seconds:

- Combustion Blower
- Ignitor
- Feed Motor
- Convection Blower

When testing is complete:

1. Unplug the appliance and set the model selection switch back to the appliance setting.
2. Re-connect the vacuum switch and #1 snap disc.
3. Plug in the appliance and confirm the model selection by observing the blue blinking light and verify that it is blinking correctly for that setting.

* +10% Setting Definition - Settings #2, #5, #7

There will be times that the feed rate needs to be increased. This is usually due to low density fuel. If this situation occurs, use the +10% setting for that particular appliance.

MT. VERNON ONLY - 4 Speed

** -20% Setting Definition - Setting #3

This is the recommended setting for Corn or High Ash Fuel.