

QUADRA-FIRE

PELLET WIRE HARNESS

MT. VERNON (#SRV7005-251)

CASTILE FS (#SRV7001-194)

CASTILE-I (#SRV414-1040)

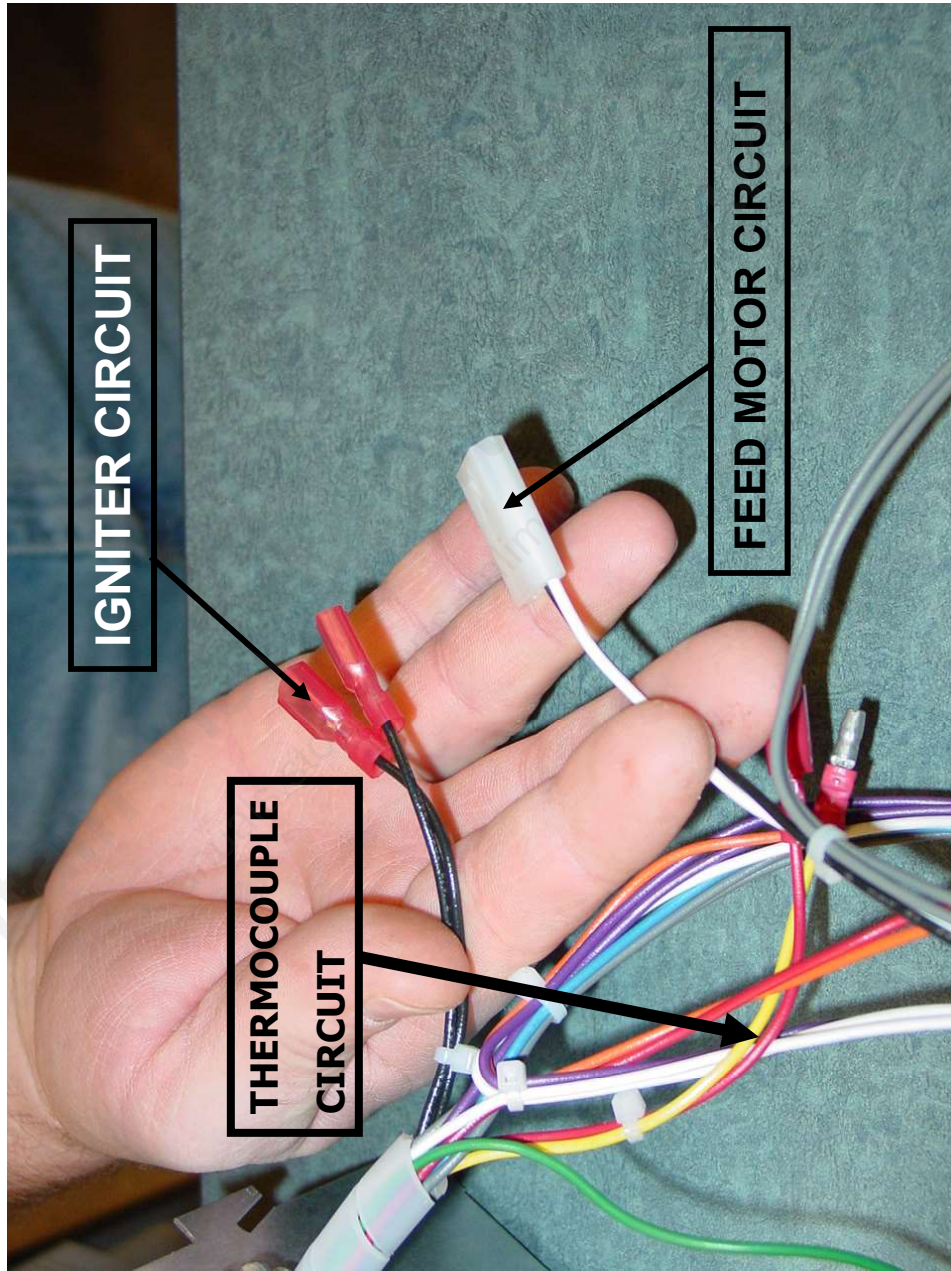
SANTA FE (#SRV7001-194)

1200-I (#SRV7000-155)

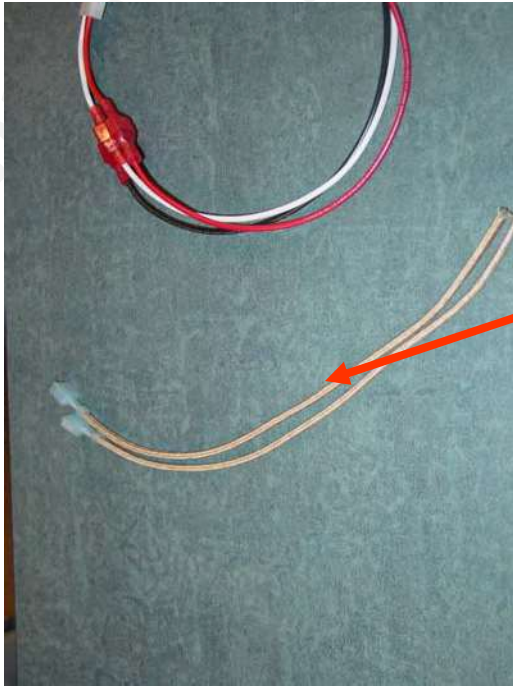
1200FS (#SRV7000-154)

****HARNESS WILL COME WITH ADAPTERS THAT WILL
ALLOW RETRO-FIT TO OLDER UNITS****

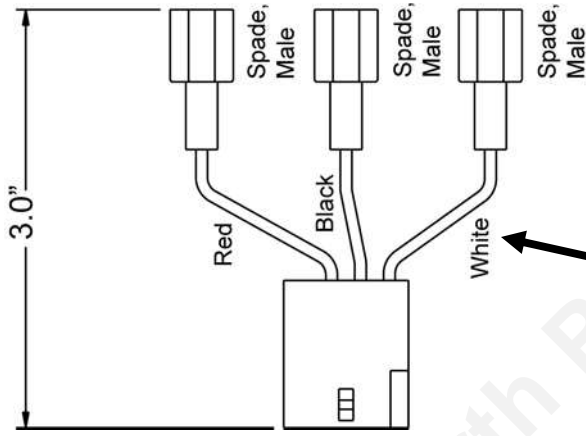
WIRE HARNESS



IGNITER & FEED MOTOR WIRE ADAPTER



IGNITER WIRE IS INCLUDED WITH EACH REPLACEMENT WIRE HARNESS.



ADAPTER IS USED TO ALLOW RETRO-FIT TO THE FEED MOTOR.

WIRE LOCATIONS

- IGNITER= **BLACK & BLACK (SPADE FEMALE)**—USE ADAPTER IF NEEDED.
- #1 SNAP DISC (CONVECTION)= **PURPLE & PURPLE (SPADE FEMALE)**
- #2 SNAP DISC= **BLACK & ORANGE (SPADE FEMALE)**
 - (1200 Models will be yellow)
- #3 SNAP DISC= **GREY & GREY (SPADE FEMALE)**
- VACUUM SWITCH= **RED & ORANGE (SPADE FEMALE)**
- EXHAUST BLOWER= **WHITE & BLUE (SPADE FEMALE)**
- CONVECTION BLOWER= **WHITE & PURPLE (SPADE FEMALE)**
 - 1200 FS= (3 connectors, white, red, & brown)
- FEED MOTOR= **WHITE & BLACK MOLEX CONNECTOR (USE ADAPTER IF NEEDED)**
- THERMOCOUPLE= **RED (BULLET FEMALE) & YELLOW (BULLET MALE)**
- THERMOSTAT= **YELLOW & YELLOW (SPADE FEMALE)**