

QUADRA-FIRE®

MT. VERNON PELLET INSERT - AE & EDGE-60

CONVECTION BLOWER REPLACEMENT Part: SRV7000-260

Included in Kit: Convection Blower



WARNING

- Blower must be disconnected from the source of electrical supply before attempting the installation.
- This blower is only to be used on the above listed models.

Proper Shutdown Procedure

1. Set the wall control thermostat to "OFF" on AUTOMATIC/MANUAL SETTING screen and let the appliance completely cool. The exhaust blower must be off before you can unplug the appliance before servicing.
2. Smoke spillage into the room can occur if the appliance is not cool before unplugging.
3. There is a risk of shock if the appliance is not unplugged before servicing the appliance.

Removal of Cast Sides

You will need to remove the cast sides in order to remove and replace the convection blower.

1. There is a latch on the back side of the cast side in the middle of the top opening of the cast side as indicated in Figure 1.
2. Place your fingers inside the opening and squeeze the latch. The side can now be pulled toward you and removed. Place on a protective surface so as not to damage the finish.
3. To replace the side, set the bottom in first. Squeeze the latch in an open position. Place the cast side into position and then release the latch. The latch hooks onto a bracket to hold the side in place.

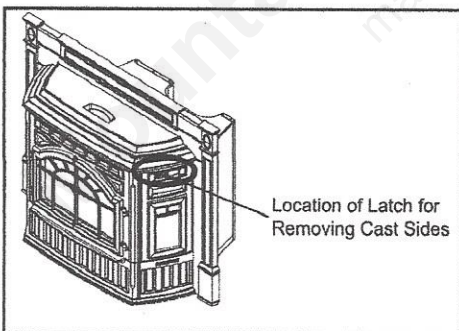


Figure 1

Convection Blower Replacement

1. After the sides are removed, reach behind the blower and release the latch by pushing the top of the latch towards the blower. Figure 2.

2. Rock the top of the blower slightly and lift up and out. The blower will pass around the control board and out the side of the appliance.
3. Disconnect the wire harness from the bottom of the blower by depressing the tabs on the sides of the connector and then pulling to remove. Figure 3.
4. Re-connect wire harness to the new replacement blower. Install the blower by placing the bottom flange into the opening first then rotate blower up into position.
5. When the blower is properly positioned the latch will engage the notch to hold the blower in place. Figure 4.

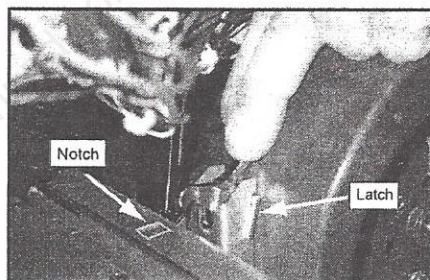


Figure 2

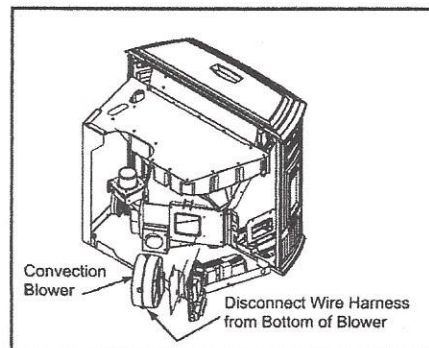


Figure 3

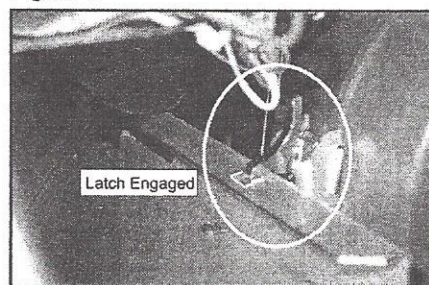


Figure 4

1445 North Highway
Colville, WA 99114

HEARTH & HOME
technologies

7014-151B December 1, 2011 Page 1 of 1

www.quadrafire.com