

QUADRA-FIRE®

Replacing Ceramic Firepot with EZ Clean Firepot

Model 800

Parts Required

812-3281 Firepot Assembly
812-3811 Igniter
812-3120 Rod & Linkage Kit

Model 1000

Parts Required

812-3281 Firepot Assembly
812-3811 Igniter
812-3130 Rod & Linkage Kit

Model 1100-I

Parts Required

812-3281 Firepot Assembly
812-3811 Igniter
812-3141 Rod & Linkage Kit

INCLUDED IN ROD & LINKAGE KIT: Models 800 and 1000: (2) Cardboard Templates; EZ Clean Firepot Pull Rod and Knob; EZ Clean Firepot Pull Rod Spring and Fastener Package

Model 1100-I: (1) Cardboard Templates; EZ Clean Firepot Pull Rod and Knob; EZ Clean Firepot Pull Rod Spring; Ash Pan and Fastener Package

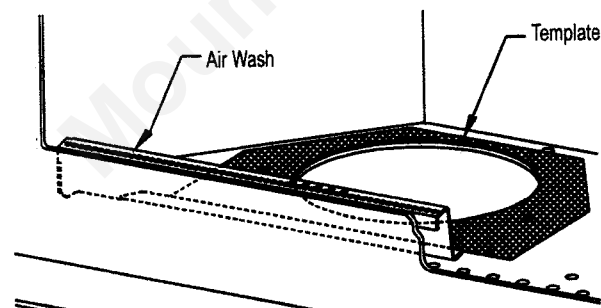
TOOLS REQUIRED: Models 800 and 1000: Scissors; 7/16" Wrenches or Adjustable Wrenches (1100-I use 1/2" Wrench); Center Punch; Hammer; Phillips Head Screwdriver; Sharp 1/8" Drill Bit (or small drill bit for drilling a pilot hole); Sharp 5/16" Drill Bit Sharp 3/8" Drill Bit; #2 Phillips Screwdriver.

Model 1100-I: All of the above, except use a 1/2" Wrench

1. Unplug the pellet stove from the wall.

Danger: Severe electrical shock may occur if the stove is not unplugged.

2. After disconnecting the igniter, remove the old firepot and clean the firebox thoroughly.
3. Cut out the drill templates provided with these instructions.
4. Position the EZ Clean firepot installation template in the firebox with the center hole cutout centered over the hole in the firebox bottom and the front of the template parallel with the front of the stove.

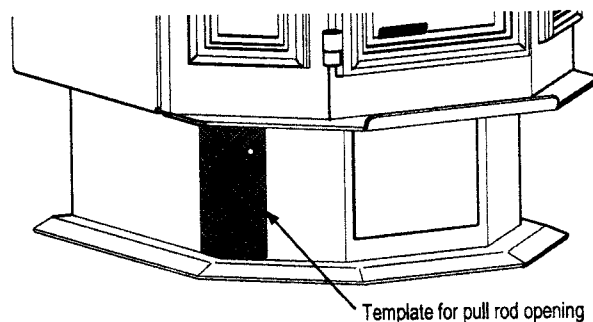


5. With a center punch, mark the location of the two EZ Clean firepot mounting holes. Drill a 1/8" pilot hole, then enlarge with a 5/16" drill bit.

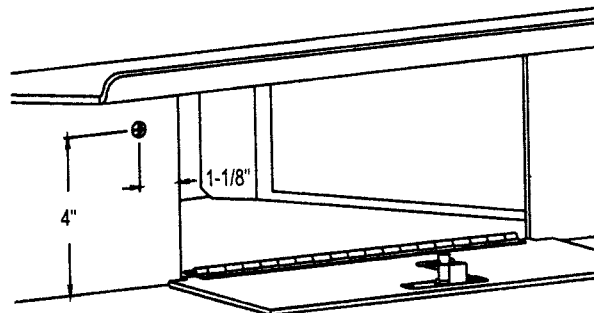
6. **Models 800 & 1000:** Locate the hole for the EZ Clean firepot pull rod with the template provided. Drill a 1/8" pilot hole, then enlarge with a 3/8" drill bit.

Model 1100-I: Locate the hole for the EZ Clean firepot pull rod 1-1/8" off the left edge of the front cleanout opening and 4" up from the bottom edge of the stove. Drill a 1/8" pilot hole, then enlarge with a 3/8" drill bit.

Models 800 & 1000

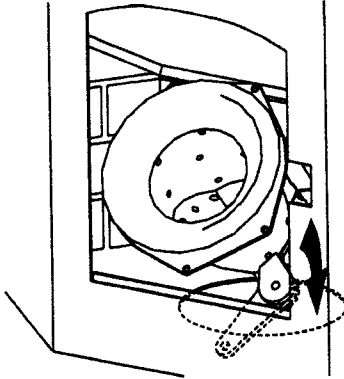


Model 1100-I

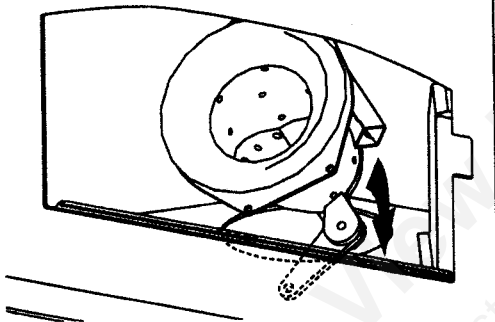


7. Position the new EZ Clean firepot in the stove.
Model 1100-I: Rotate the EZ Clean firepot until the ignition chamber is accessible through the cleanout door.

MODELS: 800 & 1000



MODEL: 1100-I

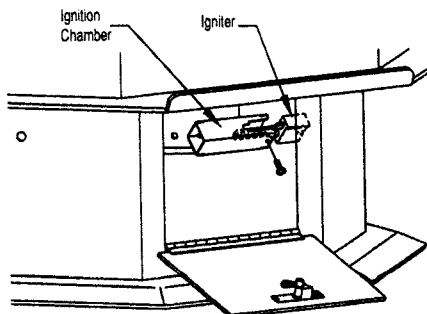


Install the igniter in the ignition chamber and secure with the #8-32 Phillips head machine screw.

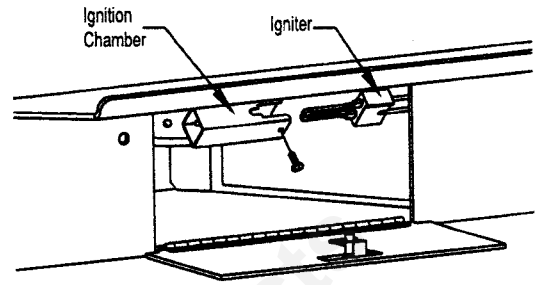
Connect the igniter wires with ceramic wire nuts. Position the wire nuts so they are pointing upwards.

Caution: Be careful when installing and securing the igniter; the element is very fragile. Do not overtighten the screw.

MODELS: 800 & 1000

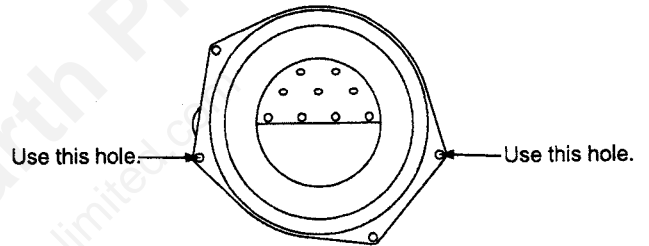


MODEL: 1100-I

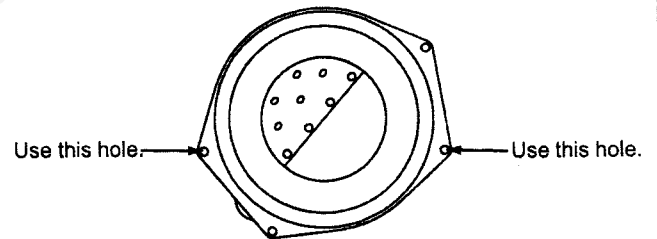


9. Rotate the EZ Clean firepot counterclockwise until the proper mounting holes align.

MODELS: 800 & 1000

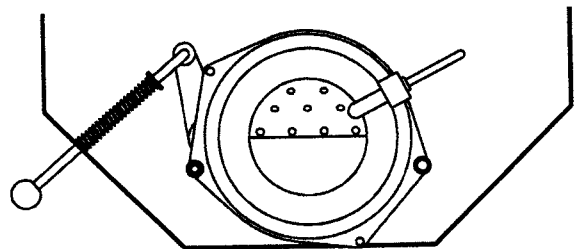


MODEL: 1100-I

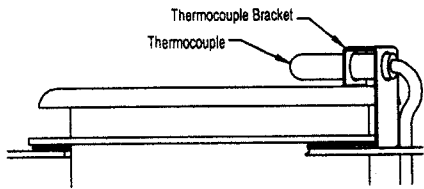
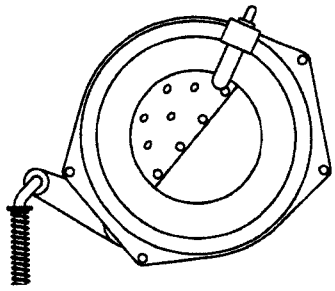


10. Position the thermocouple bracket at the 2 o'clock position for Models 800 & 1000 and at the 1 o'clock position for Model 1100-I, with the bottom flange sandwiched between the EZ Clean firepot and the firebox floor.

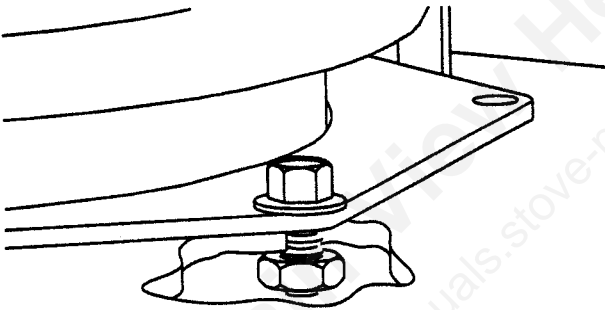
MODELS: 800 & 1000



MODEL: 1100-I

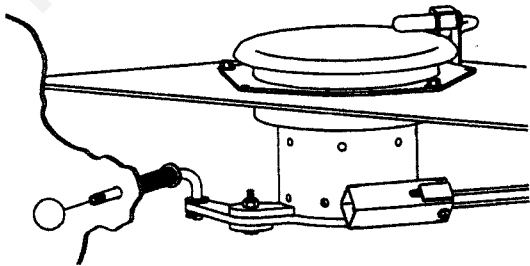


11. Secure the EZ Clean firepot in position with two 1/4" x 1/2" flanged hex head screws and 1/4" hex nuts.



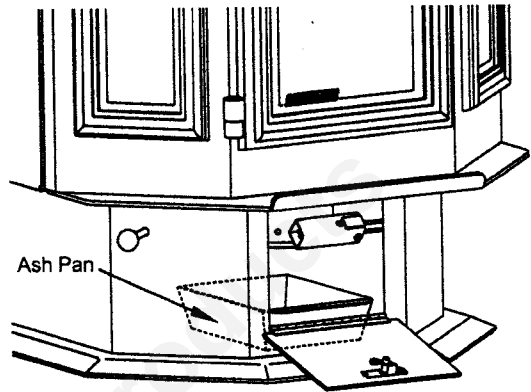
12. Install the EZ Clean firepot pull rod and spring in the hole in the face and insert the bent end down through the hole in the firepot trap door. Secure with the hairpin clip.

13. Install the pull knob.

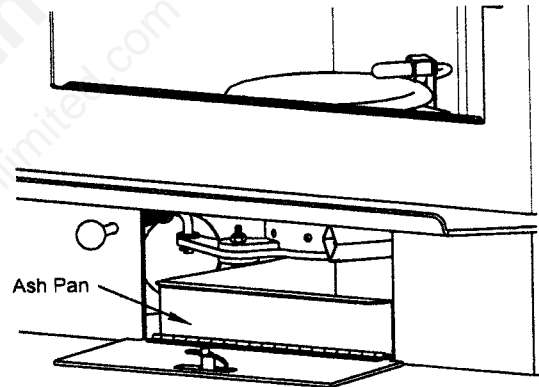


14. Position the ash pan under the EZ Clean firepot.

MODELS: 800 & 1000



MODEL: 1100-I



QUADRA-FIRE®

Pellet Stove E-Z Clean Firepot Installation Template

For use with models 800, 1000 & 1100

Cut out template on dashed lines and position template on firebox floor with the center hole cutout center over the hole in the firebox bottom.

1. Mark center of hole.
2. Drill using 5/16" (7 mm) drill bit.



1. Mark center of hole.
2. Drill using 5/16" (7 mm) drill bit.

Front



Place this edge of template parallel to the front of the stove (see diagram).

