

QUADRA-FIRE®

SNAP DISC #2 REPLACEMENT INSTRUCTIONS SANTA FE PELLET STOVE Part: SRV7000-268

Included in Kit: Snap Disc #2, Auto Reset

NOTE: Combustion Blower Gasket is also required. Sold separately under Part Number 240-0812.

Tools Required: Powered screwdriver; 7/16 socket wrench with a 3 or 6 inch (better) extension; pliers

1. Turn down the thermostat, let appliance completely cool and then unplug appliance before servicing.
2. Remove the 2 side curtains by removing the 8 screws in the top and bottom hinges on both sides. Note that the right side curtain has a caution label on the inside, the left side curtain does not.
3. Disconnect vacuum hose and red and orange wires from the vacuum switch. Disconnect the white and blue wires from the exhaust blower.
4. Remove the upper rear screen from the appliance by removing 2 screws at the top, 1 in the center and 2 screws on the sides at the top. Inside the hopper is a metal strip that the top 2 screws penetrate. Be careful not to drop the metal strip into the hopper. **Figure 1.**
5. Remove the right lower side curtain by releasing bracket from attachment holes in the back and then swing it to the front and lift off of the appliance. **Figure 2.**
6. Remove the lower rear screen and lay flat, leaving all wires still attached.
7. Remove 2 screws at each end of the the convection cover and then slide the hooks to the left and remove with the exhaust blower still attached. **Figure 3.**

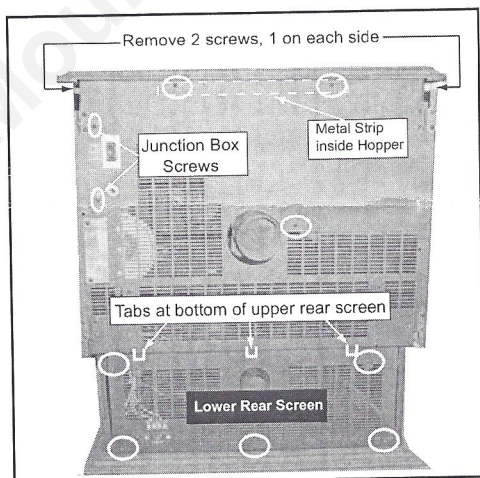


Figure 1

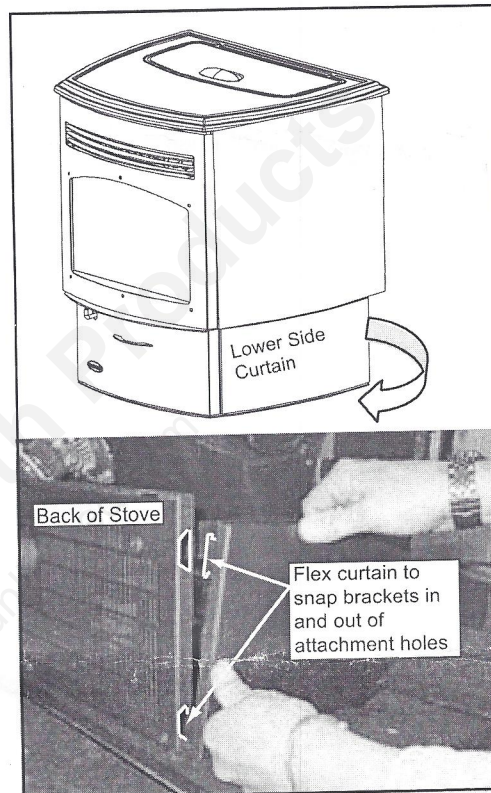


Figure 2

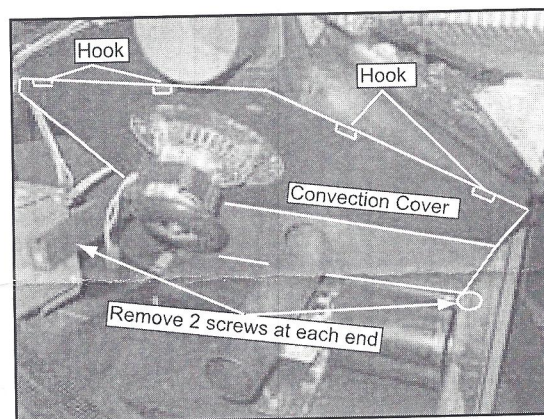


Figure 3

9. Remove the combustion blower gasket and discard.
10. Disconnect wires from snap disc #2. **Figures 4 .**
11. Loosen wing nut to relieve the pressure on snap disc from the bracket. The shaded area of the snap disc is inserted into a hole in the feed tube. **NOTE:** You may need pliers to start the wing nut. **Figure 5.**
12. When bracket is loose enough, rotate the bracket counterclockwise and away from feed tube. **Figure 6.**
13. Reach behind bracket and remove old snap disc. Install new snap disc and rotate back to original position ensuring the snap disc is inserted in the hole in the feed tube. Tighten the wing nut and re-attach the wires to the new snap disc.
14. Install new combustion blower gasket and blower. Align hooks on the convection cover with slots and slide to the right to snap in place. Re-connect the white & blue wires to the exhaust blower.
15. Install the lower rear screen and then the upper rear screen. Re-connect the vacuum switch wires and vacuum hose.
16. Re-install the lower side curtains by placing them on the front studs first, flex the curtain and snap brackets into attachment holes in the back. **Figure 2.**

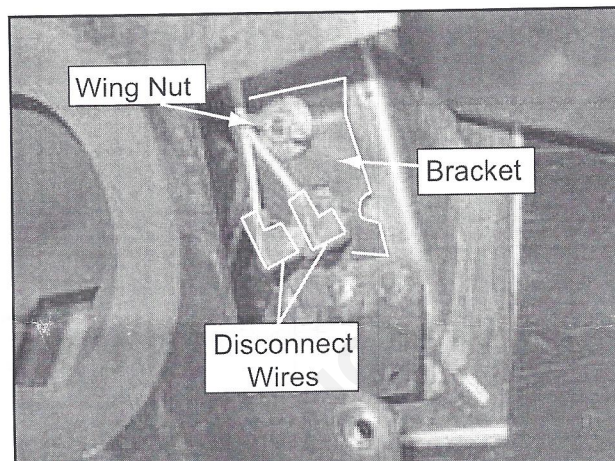


Figure 4

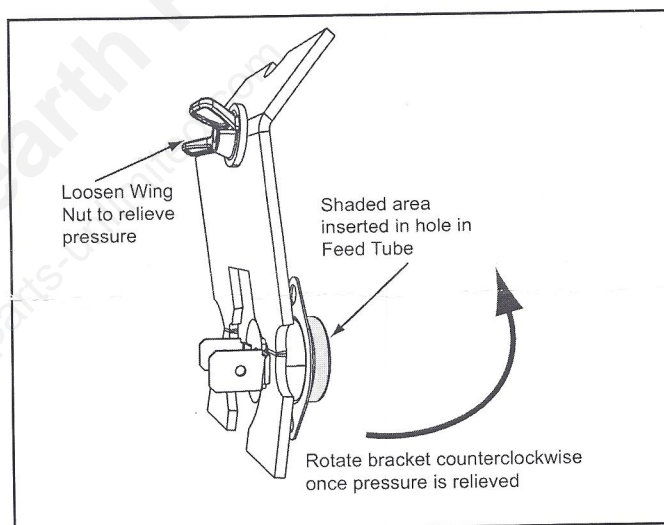


Figure 5

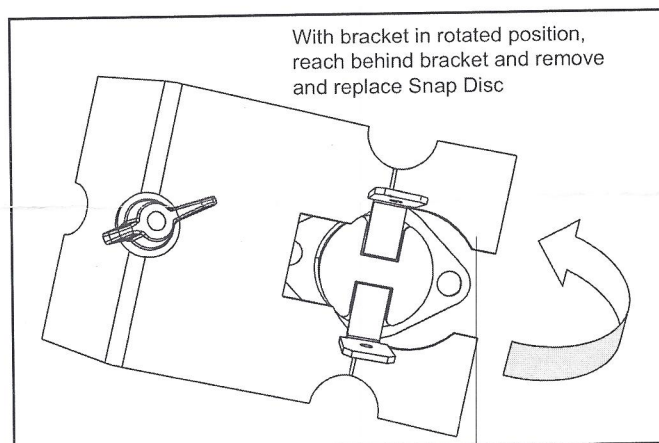


Figure 6

SNAP DISC #2 REPLACEMENT INSTRUCTIONS

CASTILE PELLET STOVE Part: SRV7000-268

Included in Kit: Snap Disc #2

NOTE: Combustion Blower Gasket is also required. Sold separately under Part Number 240-0812.

Tools Required: Powered screwdriver; stubby Phillips head screwdriver, 7/16 socket wrench with an extension of 3 inch or 6 inch (better); pliers

NOTE: Both the convection and combustion blowers must be removed to access snap disc #2.

Removing the Convection Blower

1. Turn down thermostat, let appliance completely cool and then unplug appliance before servicing.
2. The convection blower is located at the bottom rear of the appliance and is housed inside a screen box. Remove the 2 screws facing forward in the center of the blower chamber at the very back of the appliance.
3. If an outside air kit is installed on the appliance, these screws attach the intake air channel piece of the outside air kit to the appliance. Remove the 2 screws and pull backwards on the channel and it will slide down and away from the appliance. The air channel, collar and outside air hose will be removed as one piece.
4. There are 2 screws on each side of housing. Loosen all 4 screws, but do not remove them. Lift the blower housing up slightly and slide towards you. **Figure 1.**
5. Remove the left side panel by loosening 2 screws (do not remove) and pull side panel away. Unplug the 2 black blower wires by disconnecting the spade connectors.

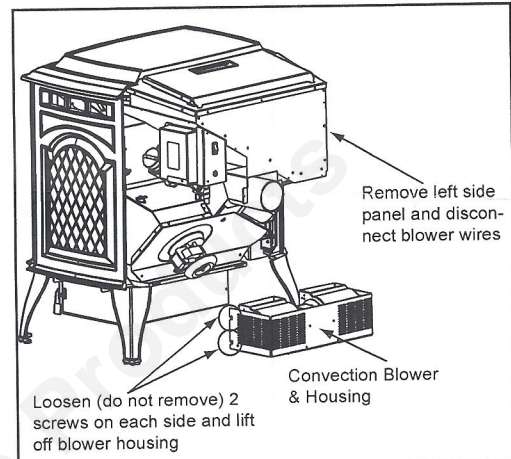


Figure 1

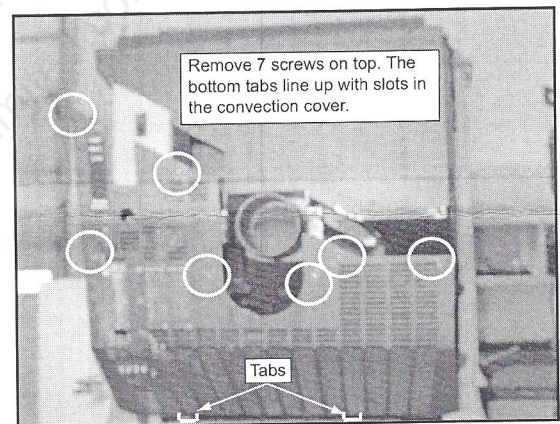
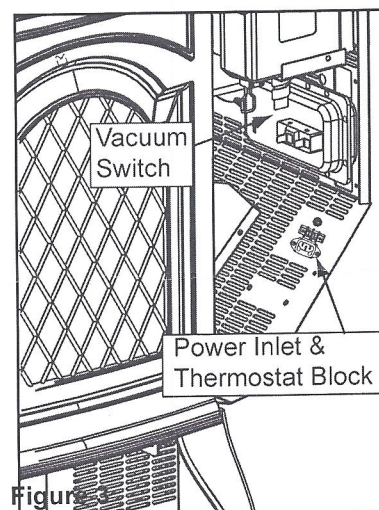


Figure 2

Removing Exhaust Blower

6. Remove the right side curtain by loosening 2 screws (do not remove) and pull side panel off. The left side panel was already removed for the convection blower.
7. Disconnect the vacuum hose and both wires (orange and red) from the vacuum switch attached to the rear screen.
8. Remove 7 screws from the back screen and pivot the top of the screen toward you leaving the bottom attached to convection cover for now. **Figure 2.**
9. Remove 2 screws to remove the thermostat block and disconnect the 2 yellow wires. **Figure 3.**
10. Remove the 2 screws from the power inlet and rotate it through the hole and out of the screen, leaving the wires attached.



11. Remove the upper screen from the appliance by lifting the bottom tabs up and rotate out from the slots in the convection cover. **Figure 4.**
12. Remove convection cover. It will be easier to remove top 3 right screws using a stubby Phillips head screwdriver. There is a total of 9 screws including the grounding wire screw. **Figure 5**
13. Remove the 5 bolts on the combustion blower housing, saving the top bolt for last. Support the blower with your hand as you remove the top bolt. **Figure 6.**
14. Remove both wires from combustion blower (blue and double white).
15. Remove the combustion blower gasket and discard.
16. Disconnect wires from snap disc #2. **Figures 7.**
17. Loosen wing nut to relieve the pressure on snap disc from the bracket. The shaded area of the snap disc is inserted into a hole in the feed tube. **NOTE:** You may need pliers to start the wing nut. **Figure 8.**
18. When bracket is loose enough, rotate the bracket counterclockwise and away from feed tube. **Figure 9.**
19. Reach behind bracket and remove old snap disc. Install new snap disc and rotate back to original position ensuring the snap disc is inserted in the hole in the feed tube. Tighten the wing nut and re-attach the wires to the new snap disc.
20. Install new exhaust blower gasket. Re-install the exhaust blower and housing starting with the top bolt. Re-connect the white & blue wires to the exhaust blower.
21. Re-install the convection cover **making sure the grounding wire is secured.** Place the upper screen bottom tabs into slots and pivot upward. Re-connect the vacuum switch wires, vacuum hose and thermostat block and secure the screen with screws to the appliance.

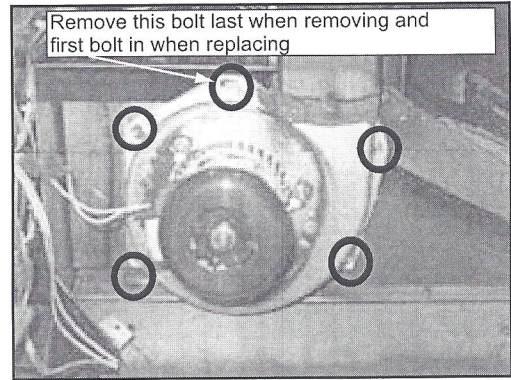


Figure 6

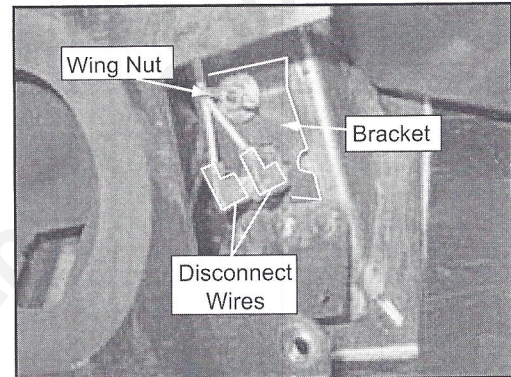


Figure 7

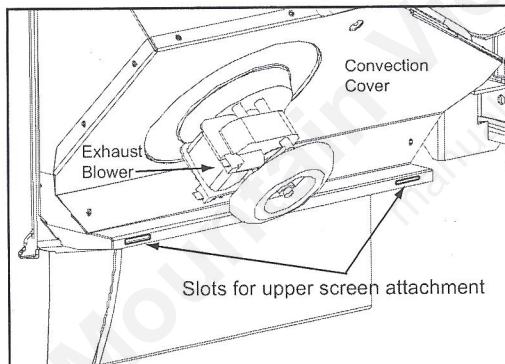


Figure 4

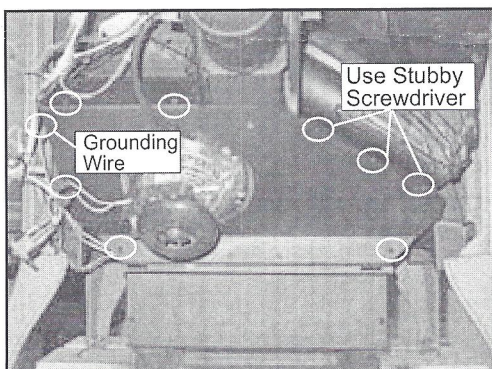


Figure 5

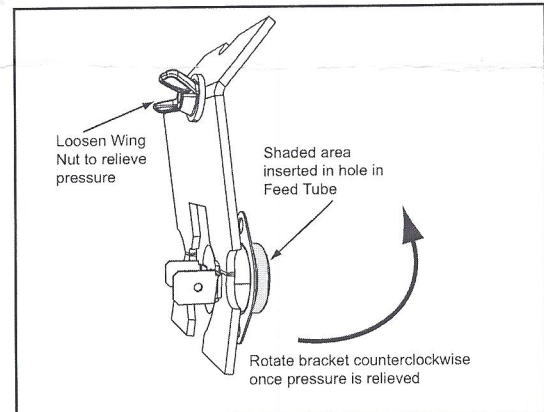


Figure 8

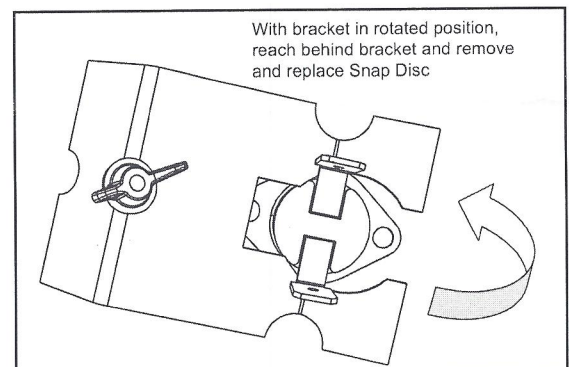


Figure 9