

**FIRE POT REPLACEMENT INSTRUCTIONS**

**PART:**

**SRV7034-072B**

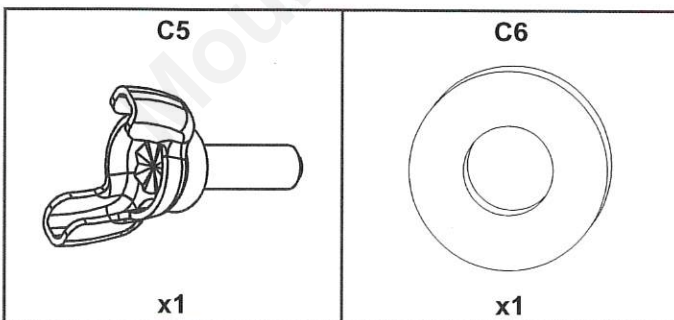
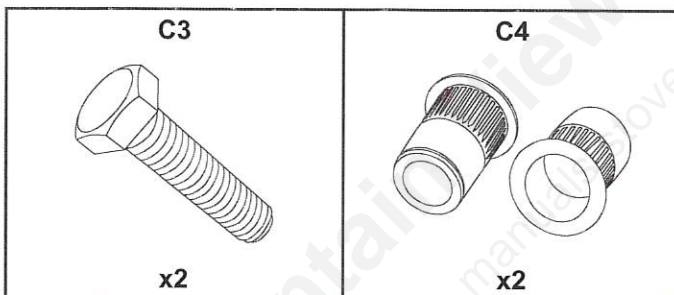
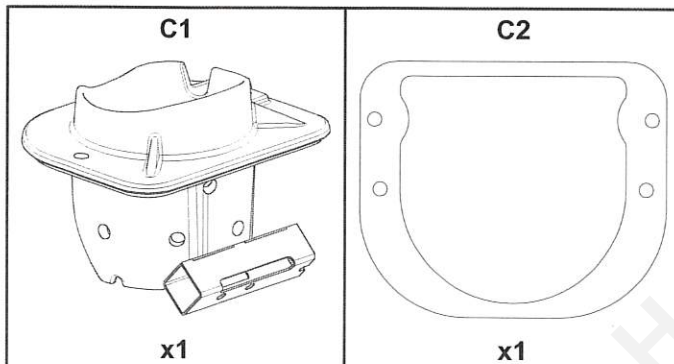
**SRV7080-083**

**FOR PELLET APPLIANCES:**

**CAB50  
PS35  
PS50**

**TREKKER  
TREKKER INSERT**

**Included in Kit:**



**Tools Required:**

7/16 inch socket wrench, Phillips head screwdriver, and flat heat screwdriver

**Included in kit:**

Quantity one (1) fire pot (**C1**), quantity one (1) Fire pot gasket (**C2**), quantity two (2) 1/4-20 x 1 inch bolts (**C3**), quantity two (2) 1/4-20 inserts (**C4**), quantity one (1) 8-32x1/2 inch wing screw (**C5**), and quantity one (1) 1/4 inch washers (**C6**).

**Proper Shutdown Procedure for Quadra-Fire Original Energy (OE) and Eco-Choice Appliances**



**CAUTION**



**Shock and Smoke Hazard**

- Turn down thermostat, let appliance completely cool and exhaust blower must be off. Now you can unplug appliance for servicing.
- Smoke spillage into room can occur if appliance is not cool before unplugging.
- Risk of shock if appliance not unplugged before servicing appliance.

**Proper Shutdown Procedure for Quadra-Fire Trekker Series**



**CAUTION**



**Shock and Smoke Hazard**

- Turn user interface OFF, let appliance completely cool and exhaust blower must be off. Now you can unplug appliance for servicing.
- Smoke spillage into room can occur if appliance is not cool before unplugging.
- Risk of shock if appliance not unplugged before servicing appliance.

## GENERAL INSTRUCTIONS

1. Follow proper shutdown procedures above.
2. To access the igniter you will first need to remove the ash pan.

**NOTE:** On the Trekker Stove the ash pan is visible from the front of the stove. On the Trekker Insert you will need to open the cast face/ decorative front and remove the ash pan (**Figure 1**).



Figure 1

3. The igniter is fastened to the igniter chamber with a wing nut. Loosen the wing nut until the igniter slides free and gently remove from the igniter chamber (**Figure 2**).

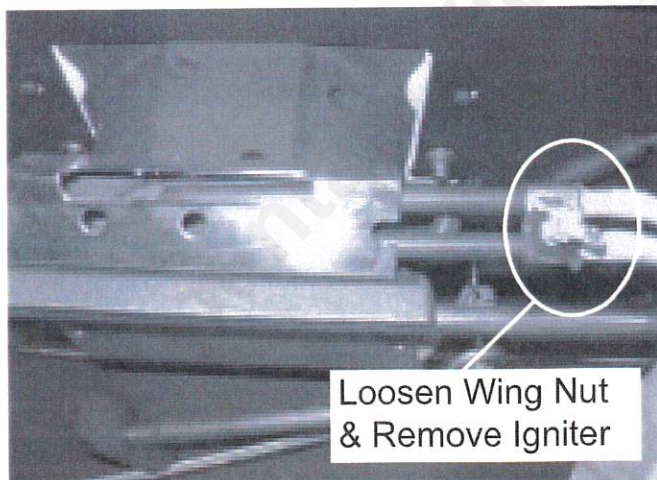


Figure 2

4. It is easier to remove the bolts on the fire pot with the baffle removed. To remove the baffle, place a flat head screwdriver into the slot of the latches located in the upper corners and push down. The bottom of the latch will fall forward off the post. Lift the baffle up and then out toward you (**Figure 3**).

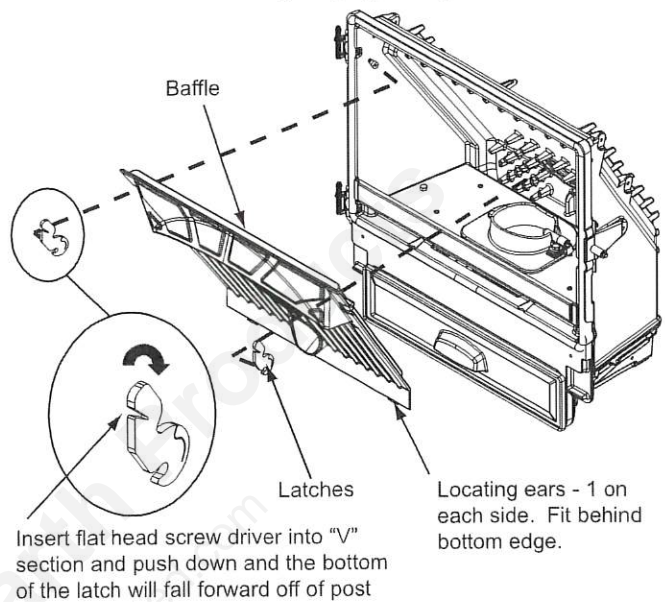


Figure 3

5. Using a 7/16" socket wrench, remove the bolts (**Figure 4**).

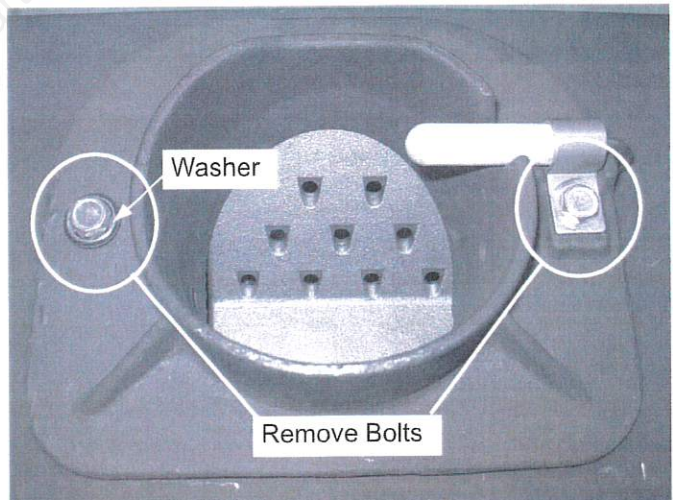


Figure 4

6. Gently move the thermocouple and ceramic tube off to the side, being careful not to damage the parts. Remove the fire pot from the fire pot riser assembly (Figure 5).

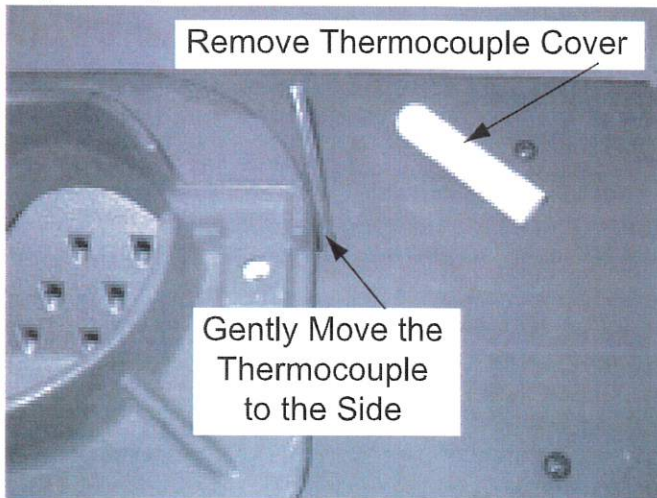


Figure 5

7. Remove the old fire pot gasket and discard; replace it with the new fire pot gasket included in the kit (Figure 6).

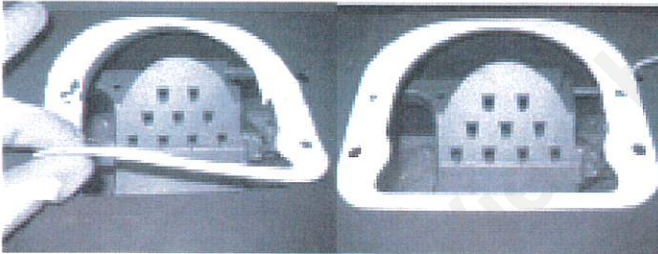


Figure 6

8. Install the new fire pot using the washer and bolts provided.

**NOTE:** The washer goes on the left hand side of the fire pot - opposite of the thermocouple bracket (Figure 4 on page 2).

9. On the Trekker Stove remove the right side panel to be able to access the wires. On the Trekker Insert remove the right cast side to access the wires.
10. The wire leads to the igniter are connected to the wire harness with 1/4 inch male / female spade connectors. Disconnect the male/female spade connectors. Push the connectors through the cast firebox opening in the back of the appliance into the ash pan opening. Remove the igniter from the ash pan opening in the front of the appliance (Figure 7).

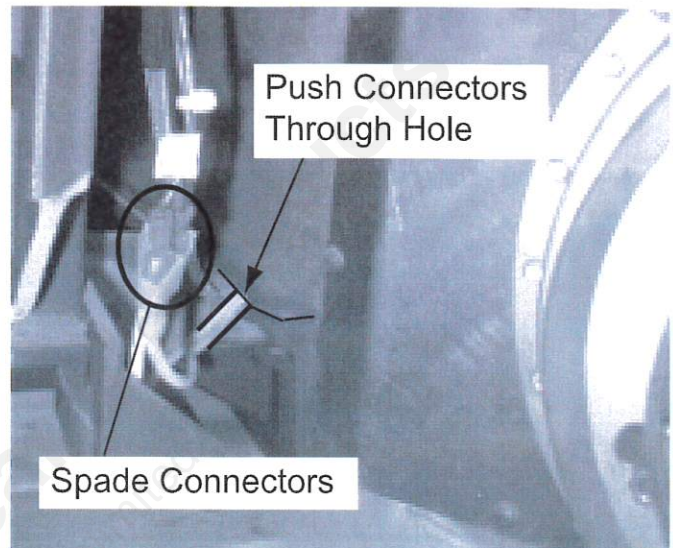


Figure 7

11. Install the new igniter into the chamber and place the washer between the igniter base and the inside of the igniter chamber (Figure 8).

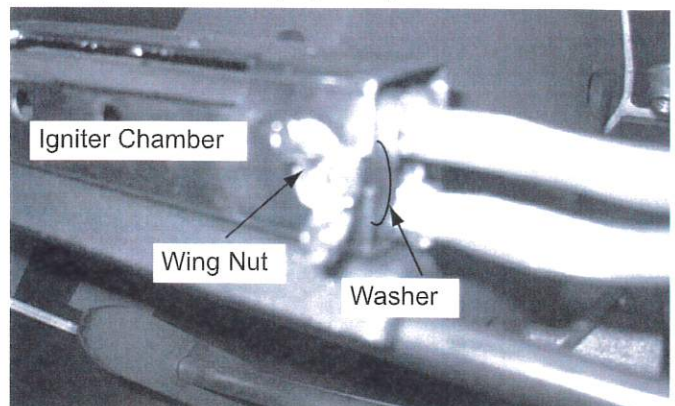


Figure 8

**NOTE:** Make sure the igniter is centered in the igniter chamber (**Figure 9**).

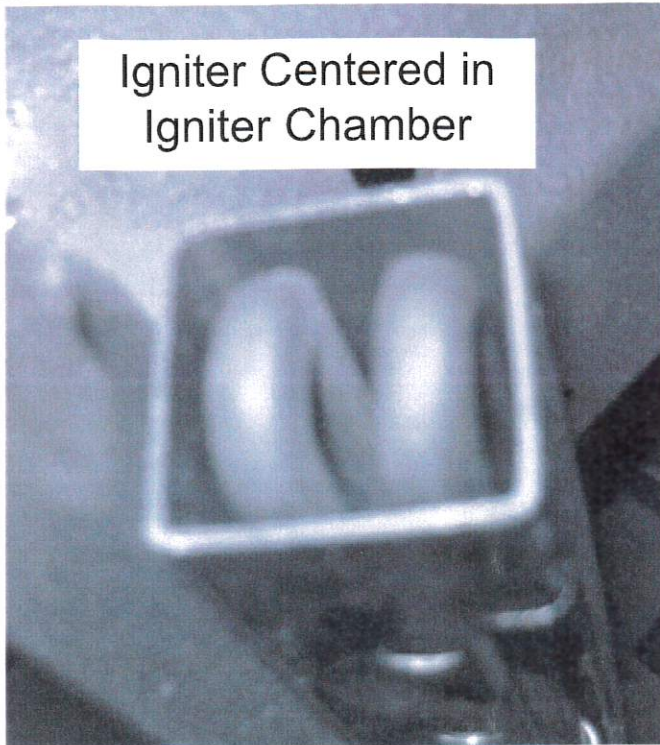


Figure 9

**NOTICE:** The thermocouple and igniter wires must be routed correctly to avoid:

- Damage to the wires by the fire pot floor or auto-clean rails
- Igniter could short out



**CAUTION**

**DO NOT** route any wires around the auto-clean system.

12. The igniter wires need to be routed through a notch in the fire pot riser assembly (**Figure 10**).

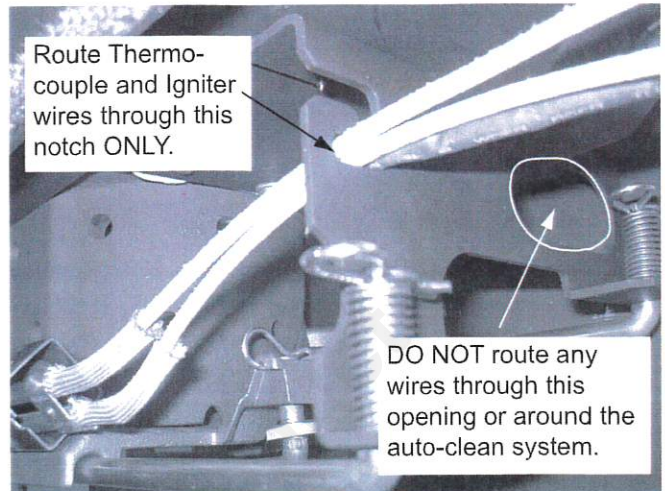


Figure 10

13. Feed the wires through the right corner opening in the cast (**Figure 11**).



Figure 11

14. Re-connect the wires to the 2 leads with the spade connectors (**Figure 7 on page 3**).

15. Replace the baffle:

- Place the 2 locating ears behind the bottom edge and tilt the baffle up and into place (**Figure 3 on page 2**).
- Center the baffle in the firebox before latching it in place. If it is not centered the latch is trapped between the baffle and sides of the firebox instead of latching properly.
- Fit the bottom of the latches over the posts. Push the top of the latch forward to lock the latch into place.

16. Re-install the right side panel or right cast side depending on the model.