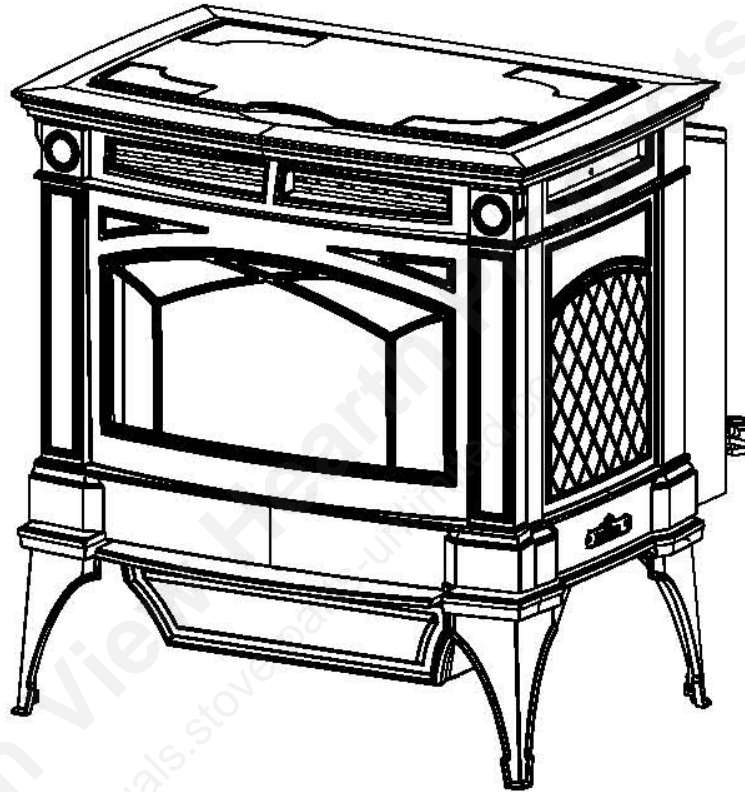


GC60

TECHNICAL MANUAL

Freestanding Cast Iron Pellet Stove



PLEASE READ THIS ENTIRE MANUAL BEFORE INSTALLATION AND USE OF THIS PELLET-BURNING ROOM HEATER. FAILURE TO FOLLOW THESE INSTRUCTIONS COULD RESULT IN PROPERTY DAMAGE, BODILY INJURY OR EVEN DEATH.

Contact your building or fire officials about restrictions and installation inspection requirements in your area.

WARNING:

Improper installation, adjustment, alteration, service or maintenance can cause injury, property damage, or loss of life. Refer to this manual. For assistance or additional information consult an authorized installer or service agency.

FOR YOUR SAFETY:

Do not store or use gasoline or other flammable vapours and liquids in the vicinity of this or any other appliance.

Installation and service must be performed by an authorized installer or service agency.



IMPORTANT: SAVE THESE INSTRUCTIONS

Safety Note: If this stove is not properly installed, a house fire may result. For your safety, follow the installation instructions, contact local building, fire officials, or authority having jurisdiction about restrictions and installation inspection requirements in your area.

The authority having jurisdiction should be consulted before installation to determine the need to obtain a permit.



NATIONAL FIREPLACE INSTITUTE
NFI
CERTIFIED
www.nficertified.org

We recommend that our products be installed and serviced by professionals who are certified in the U.S. by the National Fireplace Institute® (NFI) or in Canada by Wood Energy Technical Training (WETT).

Wood Energy Technical Training
www.wettinc.ca



TABLE OF CONTENTS

Safety Warnings & Recommendations.....	4
Specifications.....	5
Rating Label & Location.....	6
Dimensions.....	7
Specifications.....	7
Installation.....	8
Deciding Where to Locate your Pellet Appliance.....	8
Removing Pellet Stove From Pallet.....	8
Clearances to Combustibles.....	9
Leveling Leg Adjustment.....	9
Thermostat Installation.....	10
Vent Termination Requirements.....	10
Outside Fresh-Air Connection.....	11
Exhaust And Fresh Air Intake Locations.....	11
Mobile Home Installation.....	12
Corner Through Wall Installation.....	12
Horizontal Exhaust Through Wall Installation.....	13
RECOMMENDED - Through Wall With Vertical Rise and Horizontal Termination Installation.....	15
Through Concrete Wall With Vertical Rise Installations.....	15
Outside Vertical Installations.....	16
Inside Vertical Installations.....	17
Hearth Mount Installation.....	18
Slider/Damper Set-Up.....	19
Wiring Diagram.....	23
Parts List.....	24
Parts Diagram - Components.....	26
Parts Diagram - Cast.....	27
Warranty.....	28
Installation Data Sheet.....	31

SAFETY WARNINGS & RECOMMENDATIONS

*** This manual is designed for the technician in conjunction with the owner's manual. ***

Please read this entire Technical Manual before installing or operating your Hampton Pellet Stove. Failure to follow these instructions may result in property damage, bodily injury or even death. Any unauthorized modification of the appliance or use of replacement parts not recommended by the manufacturer is prohibited. All national and local regulations shall be complied with when operating this appliance.

Caution: Do not connect to any air distribution duct or system.

Warning: Never place wood, paper, furniture, drapes or other combustible materials within 48" (122cm) of the front of the unit, 12" (30.5cm) from each side, and 4" (10cm) from the back of the unit. Do not let children or pets touch it when it is hot.

To prevent the possibility of a fire, ensure that the appliance is properly installed by adhering to the installation instructions. An Hampton dealer will be happy to assist you in obtaining information with regards to your local building codes and installation restrictions.

FIRE EXTINGUISHER AND SMOKE DETECTION: All homes with a pellet burning stove should have at least one fire extinguisher in a central location known to all in the household. Smoke detectors should be installed and maintained in the room containing the stove. If it sounds the alarm, correct the cause but do not deactivate. You may choose to relocate the smoke detection device within the room; **DO NOT REMOVE THE SMOKE DETECTOR FROM THE ROOM.**

CHIMNEY OR RUN AWAY FIRE (SOOT/CREASOTE): Call local fire department (or dial 911). Close the draft fully. Extinguish the fire in the burn pot liner with a cup of water and close the door. Examine the flue pipes, chimney, attic, and roof of the house, to see if any part has become hot enough to catch fire. If necessary, spray with fire extinguisher or water from the garden hose. **IMPORTANT:** Do not operate the stove again until you are certain the chimney and its lining have not been damaged. Check daily for creasote build-up until experience shows how often you need to clean to be safe.

OPERATION: The door and ash drawer must be kept closed when the unit is in operation to prevent fume spillage and for proper and safe operation of the pellet stove. Also ensure all gaskets on the door are checked and replaced when necessary. **Unit hot while in operation. Keep children, clothing and furniture away. Contact may cause skin burns.**

CAUTION: When operating during adverse weather, if the unit exhibits dramatic changes in combustion stop using the unit immediately.

FUEL: This stove is designed and approved to only burn wood pellets of any quality, corn, wheat, barley, and grass. Dirty fuel will adversely affect the operation and performance of the unit and may void the warranty. Check with your dealer for fuel recommendations. **THE USE OF CORDWOOD IS PROHIBITED BY LAW. Do not burn garbage or flammable fluids such as gasoline, naphtha or engine oil.**

SOOT/CREASOTE: Operation of the stove with insufficient combustion air will result in the formation of soot/creasote which will collect on the glass, the heat exchanger, the exhaust vent system, and may stain the outside of the house. Frequently check your stove and adjust the combustion air trim and/or if necessary adjust the slider/damper as needed to ensure proper combustion. **See: "SLIDER/DAMPER SETTING".**

CLEANING: There will be some build up of fly ash and small amounts of creosote in the exhaust. This will vary due to the ash content of the fuel used and the operation of the stove. It is advisable to inspect and clean the exhaust vent semi-annually or every two tons of pellets. The appliance, flue gas connector and the chimney flue require regular cleaning. Check them for blockage prior to re-lighting after a prolonged shut down period. If a significant layer of creasote has accumulated in the flue (3mm or more) it should be removed to reduce the risk of a chimney fire.

ASHES: Disposed ashes should be placed in a metal container with a tight fitting lid. The closed container of ashes should be on a non-combustible surface, well away from all combustible materials pending final disposal. If the ashes are disposed of by burial in soil or otherwise locally dispensed, they should be retained in the closed container until all cinders have thoroughly cooled.

SAFETY WARNINGS & RECOMMENDATIONS

ELECTRICAL: The use of a surge protected power bar is recommended. The unit must be grounded. The grounded electrical cord should be connected to a standard 110-120 volts (4.2 Amps), 60 hertz electrical outlet and also must be accessible. If this power cord should become damaged, a replacement power cord must be purchased from the manufacturer or a qualified Hampton dealer. Be careful that the electrical cord is not trapped under the appliance and that it is clear of any hot surfaces or sharp edges. This unit's maximum power requirement is 504 watts.

When installing the stove in a mobile home, it must be electrically grounded to the steel chassis of the home and bolted to the floor.

GLASS: Do not abuse the glass by striking or slamming the door. Do not attempt to operate the stove with broken glass. The stove uses ceramic glass. Replacement glass must be purchased from an Hampton dealer. Do not attempt to open the door and clean the glass while the unit is in operation or if glass is hot. To clean the glass, use a soft cotton cloth and mild window cleaner, gas or wood stove glass cleaner, or take a damp paper towel and dip into the fly ash. This is a very mild abrasive and will not damage the glass. Do not use polishing compounds or abrasive cleaners.

KEEP ASH PAN FREE OF RAW FUEL. DO NOT PLACE UNBURNED OR NEW PELLET FUEL IN ASH PAN. A fire in the ash pan may occur.

INSTALLATION: Contact your local building or fire official to obtain a permit and any information on installation restrictions and inspection requirements for your area.

Be sure to maintain the structural integrity of your home when passing a vent through walls, ceilings, or roofs, and all construction meets local building codes. It is recommended that the unit be secured into its position in order to avoid any displacement. This appliance must be installed on a floor with an adequate load bearing capacity, if existing construction doesn't meet load capacity, suitable measures (e.g. load distributing plate) must be taken to achieve it.

DO NOT INSTALL A FLUE DAMPER IN THE EXHAUST VENTING SYSTEM OF THIS UNIT.

DO NOT CONNECT THIS UNIT TO A CHIMNEY FLUE SERVING ANOTHER APPLIANCE.

FRESH AIR: This unit uses large quantities of air for combustion; outside Fresh Air connection is **strongly** recommended. Fresh Air **must** be connected to all units installed in Mobile and "Air Tight Homes" (R2000) or where required by local codes.

Consider all large air moving devices or any other appliance which may compete for fresh air when installing the unit and provide room air accordingly. NOTE: Extractor fans when operating in the same room or space as the appliance may cause problems. Limited air for combustion may result in poor performance, smoking and other side effects of poor combustion.

The stove's exhaust system works with negative combustion chamber pressure and a slightly positive chimney pressure. It is very important to ensure that the exhaust system be sealed and airtight. The ash pan and viewing door must be locked securely for proper and safe operation of the pellet stove.

Do not burn with insufficient combustion air. A periodic check is recommended to ensure proper combustion air is admitted to the combustion chamber. Setting the proper combustion air is achieved by adjusting the slider damper located on the left side of the stove.

Soot or creosote may accumulate when the stove is operated under incorrect conditions such as a rich burn (black tipped, lazy orange flames).

If you have any questions with regards to your stove or the above-mentioned information, please feel free to contact your local dealer for further clarification and comments.

SINCE REGENCY FIREPLACE PRODUCTS LTD. HAS NO CONTROL OVER THE INSTALLATION OF YOUR STOVE, REGENCY FIREPLACE PRODUCTS LTD. GRANTS NO WARRANTY IMPLIED OR STATED FOR THE INSTALLATION OR MAINTENANCE OF YOUR STOVE. THEREFORE, REGENCY FIREPLACE PRODUCTS LTD. ASSUMES NO RESPONSIBILITY FOR ANY CONSEQUENTIAL DAMAGE(S). SAVE THIS INSTRUCTION MANUAL FOR FUTURE REFERENCE.

SPECIFICATIONS

RATING LABEL & LOCATION:

The rating label is located on the label plate on the back of the unit.

384

Serial No. / No. De Série:

Model / Modèle: GC60
 Listed Room Heater, Pelletized Fuel Type (Appareil de chauffage à granulés, certifié)
 (Le chauffage à granulés, Pelletized Fuel Type)
 Suitable For Mobile Home Installation (Accepté pour l'installation dans une maison mobile, test)
 Tested To (Testé selon): ASTM 1509.04, US Environmental Protection Agency, certified to comply July 1, 1990, les normes de
 emission standards, (États-Unis Environmental Protection Agency, a certifié pour conformer au Juillet 1, 1990, les normes de
 particules d'émission), Solid Fuel Room Heaters / Identifié Comme Un Foyer A Combustible Solide: ULC S827 & ORD 1482

This pellet appliance has been tested and listed for use in manufactured homes in accordance with Oregon
 Air Quality rules 814-23-900 and 814-23-905 and the manufacturer's instructions. Contact local building or fire officials about restrictions on installation in your area. Do not connect this unit to a chimney flue serving another appliance. See local building code
 and manufacturer's instructions for precations required for passing a chimney through a combustible wall or ceiling.
 ELECTRICAL RATING: 120 Volts, 60Hz, 4.2 Amps, wood, corn, wheat, & barley only. Operate only with viewing door and ash removal
 door closed. Only replace glass with ceramic glass. Components required for installation: a 4inch (100 mm) listed
 PL or L vent, complete with components.

Cet appareil a été testé et certifié pour utilisation dans les maisons mobiles en accord avec les "Règles Administratives
 de l'Oregon 814-23-900 à 814-23-905", installez cet appareil seulement selon les instructions d'installation
 et d'opération du fabricant. Contactez les autorités locales de votre quartier concernant les restrictions et les
 inspections d'installation. Consultez les codes de bâtiment locaux et les instructions du fabricant pour les précautions
 à prendre lorsque une cheminée doit être installée à travers un mur ou un plafond combustible. CLASSEMENT
 ÉLECTRIQUE: 120 Volts, 60 Hz, 4.2 Amps. Placez le câble électrique loin de la cheminée.
 Utilisation avec granulés - le bois, le maïs, le blé, & force seulement. Utilisez seulement lorsque les
 portes avant et la porte du réceptacle de cendre sont fermées. Si une ou des vitres devaient être
 remplacées, utilisez seulement du verre céramique. Les composants requis pour l'installation
 sont un évent PL ou L certifié de 4in/100mm avec ses composantes.

DATE OF MANUFACTURE / DATE DE FABRICATION:
 J F M A M J J A S O N D 2011 2012 2013

DO NOT REMOVE THIS LABEL / NE RETIREZ PAS CETTE ÉTIQUETTE

Installed as a freestanding stove - conventional or mobile home -
 Model FS. Minimum Clearances to Combustible Material / Espace
 de dégagement requis pour le modèle FS, qu'il soit encastré, sur
 pied ou dans une maison mobile:
 Sidewall to Unit / Du mur de côté à l'appareil: A 9 in / 230 mm
 Backwall to Unit / Du mur de derrière à l'appareil: B 3 in. / 76 mm
 Corner to Unit / Du coin à l'appareil: C 3 in. / 76 mm
 D - The unit must be installed with a minimum of 6" (152 mm) of
 floor protection in front of and to the sides of the door opening.
 The pedestal base can be adjusted to
 the forward position to satisfy this
 requirement. The unit can be installed
 on a hard, stable combustible
 surface.
 (D) - L'unité doit être installée avec
 protection de plancher devant et au
 bord de la porte ouvrant avec au moins
 6" (152 mm). La base de pedestal peut
 être ajustée à la position avant pour
 satisfaire cette exigence. L'unité peut être
 installée sur un dur, la surface
 combustible stable.)

CAUTION:
 HOT WHILE IN OPERATION. DO
 NOT TOUCH, KEEP CHILDREN,
 CLOTHING AND FURNITURE
 AWAY. CONTACT MAY CAUSE
 BURNS. SEE NAMEPLATE AND
 INSTRUCTIONS.

ATTENTION:
 L'APPAREIL EST CHAUD LORSQU'IL
 FONCTIONNE. NE PAS TOUCHER, GARDER LES ENFANTS,
 LES VÊTEMENTS ET LES MEUBLES ÉLOIGNÉS DE
 L'APPAREIL EN MARCHÉ. UN CONTACT AVEC CELUI-CI
 POURRAIT RÉSULTER EN DES BRÛLURES. VEUILLEZ
 VOIR LA PLAQUE DU FABRICANT ET LES INSTRUCTIONS.

To Start Stove: Select fuel type mode: PREMIUM PELLETS for superior quality pellet fuel, REGULAR PELLETS for all
 grades of wood pellets & MULTIFUEL for all other fuels. Press the ON / OFF button. A small handful of pellets in the
 burn pot liner will speed up ignition.
 To Operate Stove: MANUAL MODE: When a fire has been established the stove settings are adjustable. / HIGH/LOW
 MODE: (Requires a thermostat) When the thermostat calls for heat the stove settings are adjustable. When the
 thermostat contacts open, the HEAT LEVEL and Fans will drop down to the LOW setting until the thermostat contacts
 close again. / AUTO/OFF MODE: (Requires a thermostat) When the thermostat contacts close, the unit will light
 automatically. Once up to temperature the stove settings are adjustable. When the thermostat contacts open, the stove
 will drop down to the LOW settings for 30 minutes. If within the 30 min the thermostat contacts close, the HEAT LEVEL
 and fans will restart when the thermostat is closed.
 To Turn OFF Stove: MANUAL and HI / LOW mode: Press the ON / OFF button
 AUTO / OFF mode: Turn the thermostat down or off.

Pour démarrer le poêle: Choisir le mode pour le carburant: PREMIUM PELLETS pour le carburant de meilleure qualité de bûchettes de
 qualité de supérieur, REGULAR PELLET pour tous degrés de bûchettes, de bois & MULTIFUEL pour tous autres
 carburants. Appuyez sur le bouton "ON/OFF". Une petite poignée de bûchettes dans le pot de brûleur hâtera l'allumage.
 Pour faire fonctionner le poêle: "MODE MANUEL". Lorsque le feu est bien établi, les réglages peuvent être ajustés. /
 "MODE HIGH/LOW". (Nécessite un thermostat) Lorsque le thermostat requière de la chaleur, les réglages peuvent
 être ajustés. Lorsque les contacts du thermostat ouvrent, le réglage du niveau de chaleur et les ventilateurs
 s'ajustent au réglage "bas", jusqu'à ce que les contacts du thermostat se referment. / "MODE AUTO/OFF":
 (Nécessite un thermostat) Lorsque les contacts du thermostat ferment, le poêle s'allumera automatiquement. Lorsque
 la température adéquate est atteinte, les réglages peuvent être ajustés. Lorsque les contacts du thermostat ouvrent, le
 poêle s'ajustera aux réglages "LOW" pendant 30 minutes. Si les contacts du thermostat sont fermés pendant ces 30
 minutes, le réglage de niveau de chaleur retournera en réglages "MANUEL" ou si les contacts du thermostat restent
 fermés pendant plus de 30 minutes, le poêle s'allumera automatiquement.
 Pour éteindre le poêle: "MODE MANUEL" - "HIGH/LOW": Appuyez sur le bouton "ON/OFF".
 "MODE AUTO / OFF": Régler le thermostat à la baisse ou éteignez-le.

Manufactured in Canada for /
 Fabriqué dans le Canada pour:
 FFI Fireplace Products International Ltd.
 Delta, BC, Canada

16458
 Certified for use in Canada & USA
 Certifié pour utilisation au
 Canada et aux États-Unis.

GC60-006

Figure 1: GC60 Rating Label.

SPECIFICATIONS

DIMENSIONS:

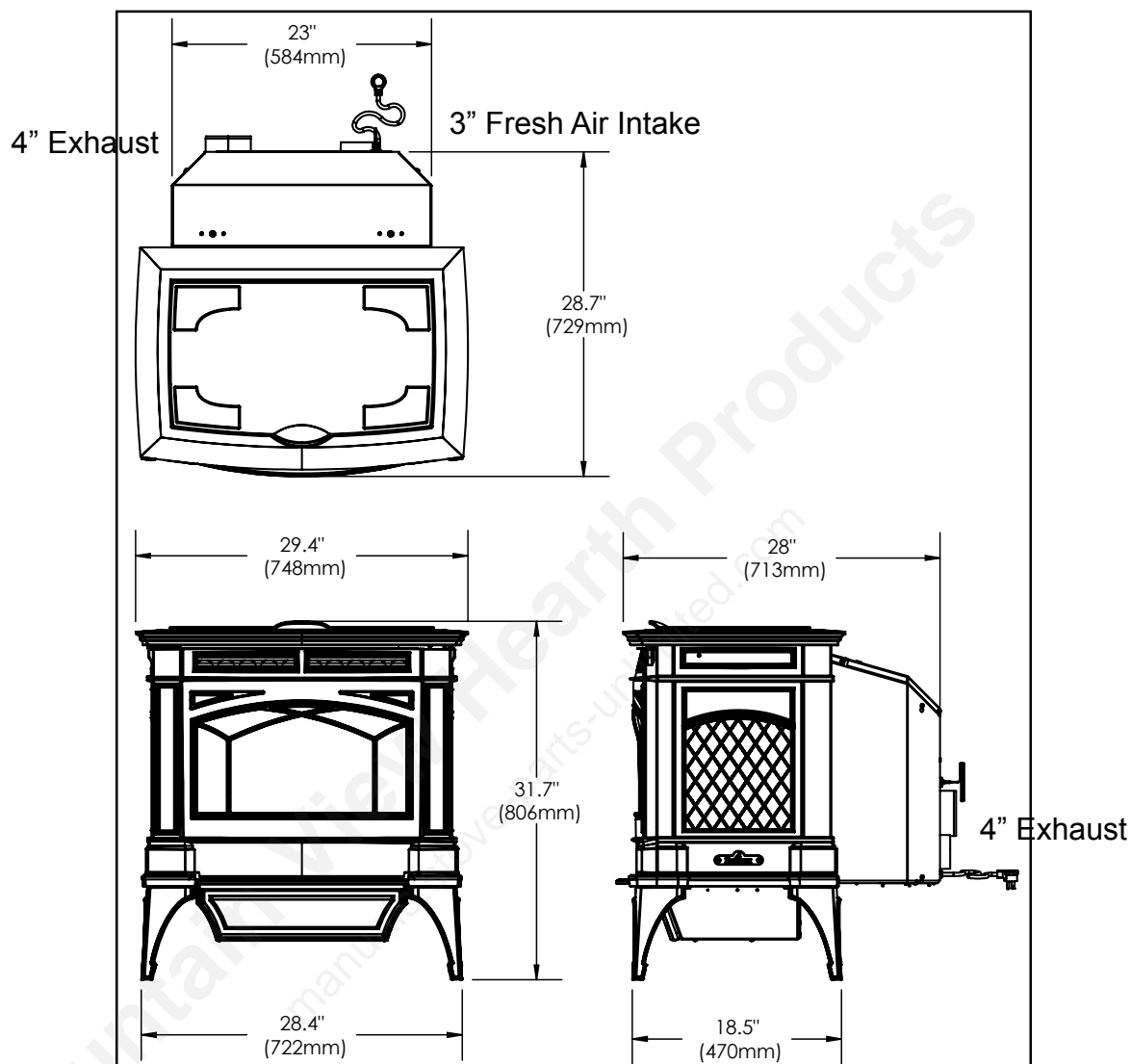


Figure 2: Dimensions of GC60.

SPECIFICATIONS:

Input rating when using: Wood Pellets/Corn - 55,000BTU (16.1KW•hr) & Wheat/Barley - 53,000BTU (15.5KW•hr).

Table 1: GC60 Specifications.

Description	Fuel type	
Residential Pellet Heater	6mm (¼") dia. Pellets - wood, corn, wheat, & barley*	
Voltage	Current	Max Power
110 - 120 V	4.2 Amps	504 Watts
Frequency	Hopper Capacity	Consumption on Low
60 Hz	up to 60 lb (36.3 Kg)	1.5 lb/hr (0.68 Kg/hr)*
Testing Standard	Weight (with full hopper)	Consumption on High
ASTM 1509-04	485 lb (220 Kg)	6.5 lb/hr (2.95 Kg/hr)*

*Note: Consumption will vary with the type and quality of pellets / fuel used.

INSTALLATION

DECIDING WHERE TO LOCATE YOUR PELLET APPLIANCE:

1. Do not install the stove in a bedroom or room where people sleep in.
2. Locate the stove in a large and open room that is centrally located in the house. This will optimize heat circulation.
3. Check clearances to combustibles and for the least amount of interference to house framing, plumbing, wiring, etc.
4. You can vent the stove with approved pipe through an exterior wall behind the unit or pass it through the ceiling and roof. The stove can connect to an existing masonry or metal chimney (must be lined if the chimney is over 6" (15 cm) diameter, or over 28 inches² (180 cm²) cross sectional area).
5. This unit must not be installed directly onto carpet. If it is to be installed on a carpeted area, a solid surface (wood, metal or approved hearth pad) must be installed between the unit and the carpet.
6. This unit uses large quantities of air for combustion; outside Fresh Air connection is **strongly recommended**. Fresh Air **must** be connected to all units installed in Mobile and "Air Tight Homes" (R2000) or where required by local codes.
7. Do not obtain combustion air from an attic, garage or any unventilated space. Combustion air may be obtained from a ventilated crawlspace.
8. The power cord is 8 feet (2.43 m) long and may require a grounded extension cord to reach the nearest electrical outlet.

REMOVING PELLET STOVE FROM PALLET:

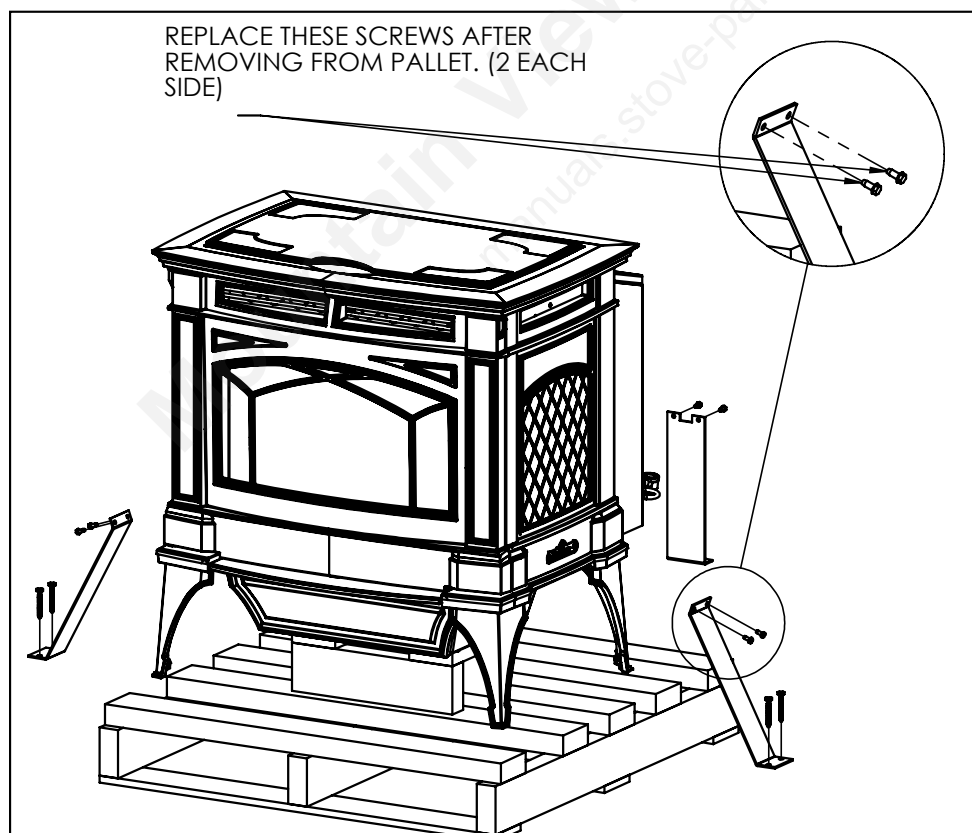


Figure 3: Screws to take out to remove stove from pallet.

1. Remove the two (2) screws that hold the brackets to the pallet on either side of the unit.
2. Remove the two (2) $\frac{5}{16}$ " hex head screws that hold the brackets to the units.

INSTALLATION

CLEARANCES TO COMBUSTIBLES:

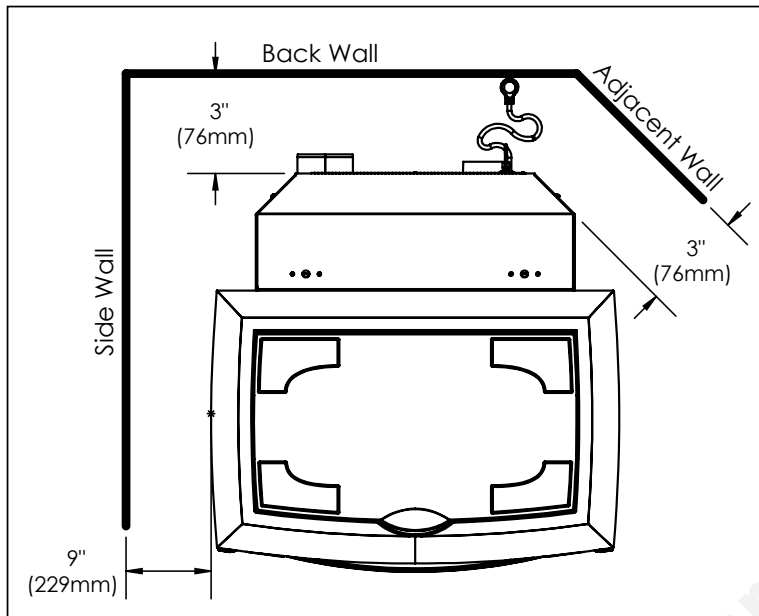


Figure 4: GC60 Clearance to Combustibles.

These dimensions are minimum clearances but it is recommended that you ensure sufficient room for servicing, routine cleaning and maintenance.

Side wall to unit	9 inches	(22.9 cm)
Back wall to unit	3 inches	(76 cm)
Corner to unit	3 inches	(76 cm)
Ceiling height	60 inches	(152 cm)

Alcove Maximum Depth	36 inches	(91 cm)
Alcove Minimum Width	48 inches	(122 cm)
Alcove Minimum Height	60 inches	(152 cm)

In the USA, the unit must be installed with a minimum of 6" (152 mm) of floor protection in front of and to the sides of the door opening.

In Canada, the unit must be installed with a minimum of 8" (203 mm) of floor protection in front of and to the sides of the door opening.

LEVELING LEG ADJUSTMENT:

The leveling legs should be adjusted for the unit to sit level and not rock if installed on uneven flooring.

1. Turn levelling legs until they are at the required heights.
2. Tighten the nut to hold the leveling leg in position.

THERMOSTAT INSTALLATION:

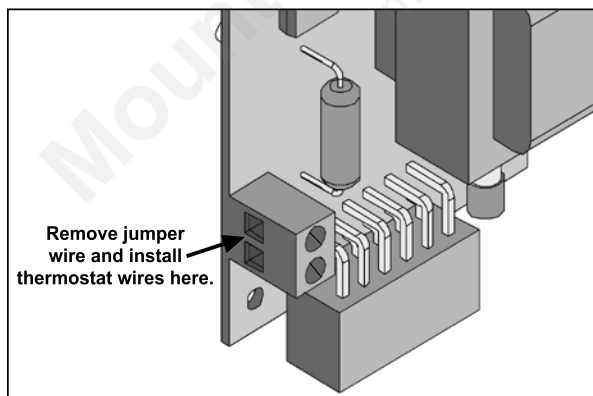


Figure 5: Thermostat wire placement.

1. Install the wall thermostat (millivolt rated thermostat recommended, or a 12/24 Volt rated thermostat set to millivolts) in a location that is not too close to the unit but will effectively heat the desired area.
2. Connect the Thermostat using a 2 x 18 gauge wire from the unit to the thermostat.

If the heat in the room becomes too great, the high limit switch may turn the stove off and the switch will have to be manually reset. The switch is found below the firebox top on the hopper's right surface.

INSTALLATION

VENT TERMINATION REQUIREMENTS:

IT IS RECOMMENDED THAT YOUR PELLET STOVE BE INSTALLED BY AN AUTHORIZED DEALER/INSTALLER.

Table 2: Use in conjunction with Figure 6 for allowable exterior vent termination locations.

Letter	Minimum Clearance	Description
A	24 in (61 cm)	Above grass, top of plants, wood, or any other combustible materials.
B	48 in (122 cm)	Beside/below any door or window that may be opened. (18" (46 cm) if outside fresh air installed.)
C	12 in (30 cm)	Above any door or window that may be opened. (9" (23 cm) if outside fresh air installed.)
D	24 in (61 cm)	To any adjacent building, fences and protruding parts of the structure.
E	24 in (61 cm)	Below any eave or roof overhang
F	12 in (30 cm)	To outside corner.
G	12 in (30 cm)	To inside corner, combustible wall (vertical and horizontal terminations).
H	3 ft (91 cm) within a height of 15 ft (4.5 m) above the meter/regulator assembly	To each side of center line extended above natural gas or propane meter/regulator assembly or mechanical vent.
I	3 ft (91 cm)	From any forced air intake of other appliance
J	12 in (30 cm)	Clearance to non-mechanical air supply inlet to building, or the combustion air inlet to any appliance.
K	24 in (61 cm)	Clearance above roof line for vertical terminations.
L	7 ft (2.13 m)	Clearance above paved sidewalk or paved driveway located on public property.

1. Do not terminate the vent in any enclosed or semi-enclosed areas such as a carport, garage, attic, crawlspace, narrow walkway, closely fenced area, under a sundeck or porch, or any location that can build up a concentration of fumes such as stairwells, covered breezeway, etc.

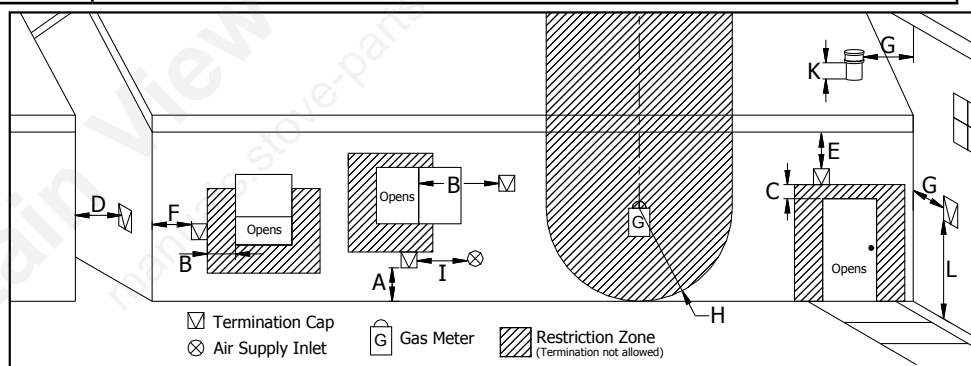


Figure 6: Use in conjunction with Table 2 for allowable exterior vent termination locations.

2. Vent surfaces can become hot enough to cause burns if touched by children. Non-combustible shielding or guards may be required.
3. Termination must exhaust above the inlet elevation. It is recommended that at least five feet of vertical pipe be installed outside when the appliance is vented directly through a wall, to create some natural draft to prevent the possibility of smoke or odor during appliance shut down or power failure. This will keep exhaust from causing a nuisance or hazard from exposing people or shrubs to high temperatures. In any case, the safest and preferred venting method is to extend the vent through the roof vertically.
4. Distance from the bottom of the termination and grade is 12" (30 cm) minimum. This is conditional upon the plants and nature of grade surface. The exhaust gases are hot enough to ignite grass, plants and shrubs located in the vicinity of termination. The grade surface must not be lawn.
5. If the unit is incorrectly vented or the air to fuel mixture is out of balance, a slight discoloration of the exterior of the house might occur. Since these factors are beyond the control of Regency Fireplace Products, we grant no guarantee against such incidents.
6. Horizontal terminations must extend at least 12" (30 cm) away from the building.

NOTE: Venting terminals shall not be recessed into walls or siding.

INSTALLATION

OUTSIDE FRESH-AIR CONNECTION:

This Heater must have adequate air for proper combustion in the room that it is installed.

A Fresh-air intake is strongly recommended for all installations. Failure to install intake air may result in improper combustion as well as the unit smoking during power failures.

The inlet to the intake must be below and a minimum of 12" (30cm) away from the unit exhaust outlet.

Outside fresh air is mandatory when installing this unit in airtight homes and mobile homes.

When connecting to an outside fresh air source, do not use plastic or combustible pipe. A 3" minimum (76 mm) ID (inside diameter) steel, aluminum or copper pipe or ducting should be used. The inlet must have a screen installed. It is recommended, when you are installing a fresh air system, to keep the number of bends in the pipe to a minimum.

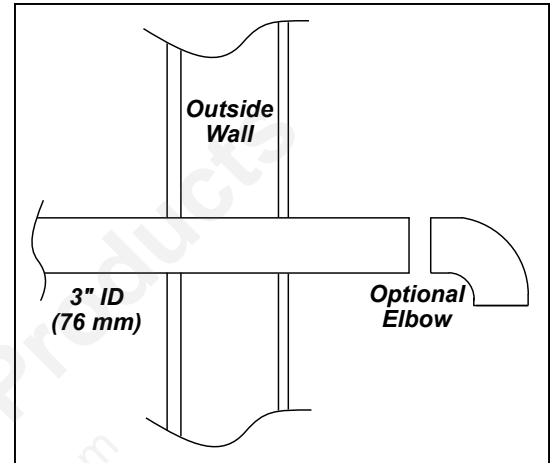


Figure 7: Outside Air Connection.

EXHAUST AND FRESH AIR INTAKE LOCATIONS:

This unit uses a 4" exhaust vent.

EXHAUST:

Base of unit to center of flue
15½" (392 mm)
Center of unit to center of flue
6¾" (162 mm)

FRESH AIR INTAKE.

Base of unit to center of intake
12" (305 mm)
Center of unit to center of intake
4⅞" (126 mm)

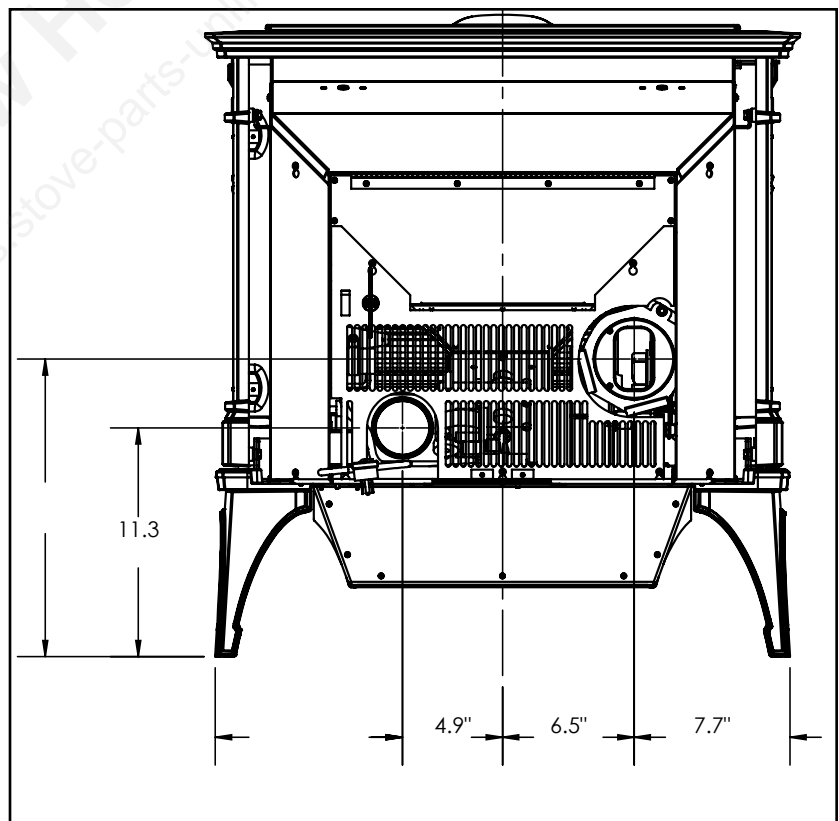


Figure 8: GC60 Inlet and Outlet Location.

INSTALLATION

MOBILE HOME INSTALLATION:

- Secure the heater to the floor using the four (4) holes in the pedestal.
- Ensure the unit is electrically grounded to the chassis of your home (permanently).
- Do not install in a room people sleep in.
- Outside fresh air is mandatory. Secure outside air connections directly to fresh air intake pipe and secure with three (3) screws evenly spaced.
- All specified components must be used. Do not use any components other than what's specified.

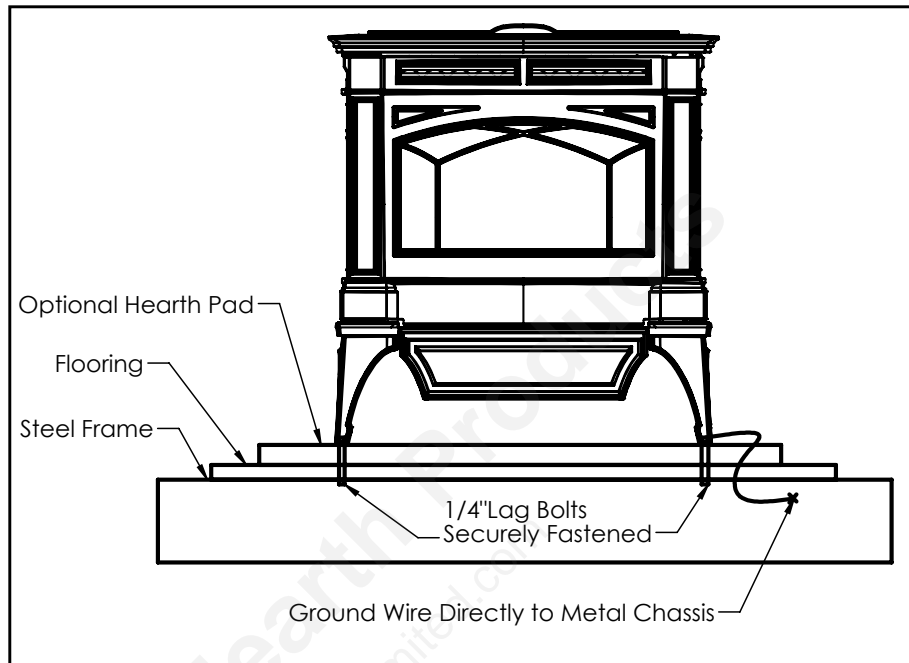


Figure 9: Mobile home installation.

CAUTION: THE STRUCTURAL INTEGRITY OF THE MANUFACTURED HOME FLOOR, WALL AND CEILING/ROOF MUST BE MAINTAINED.

CORNER THROUGH WALL INSTALLATION:

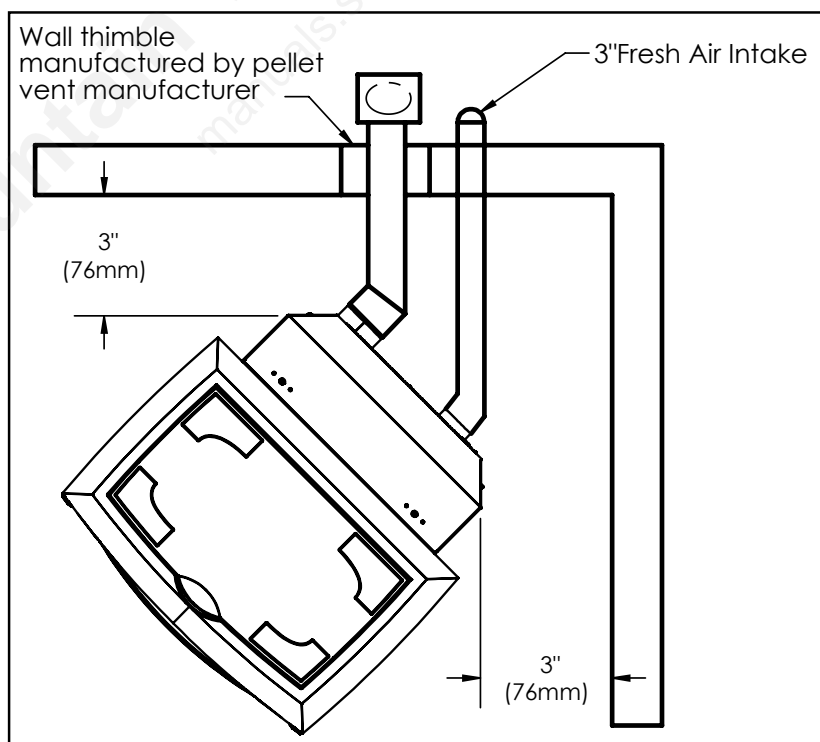


Figure 10: Corner Installation.

INSTALLATION

HORIZONTAL EXHAUST THROUGH WALL INSTALLATION:

Vent installation: install vent at clearances specified by the vent manufacturer.

A chimney connector shall not pass through an attic or roof space, closet or similar concealed spaces, or a floor, or ceiling. Where passage through a wall or partition of combustible construction is desired, the installation must conform to CAN/CSA-B365 Installation Code for Solid-Fuel-Burning Appliances and Equipment and with all local regulations, including those referring to regional and national. Only use venting of L or PL type or corn certified venting if corn will be burned as a fuel with an inside diameter of 4 inches (100 mm). All joints in the exhaust venting system must be fastened with at least three (3) screws.

1. Place the appliance 15" (37.5 cm) away from the wall. If the stove will be installed on a hearth pad, set the unit on it.
2. Locate the center of the exhaust pipe on the stove. Extend that line to the wall. Once you have located the center point on the wall, refer to pellet vent manufacturer installation instructions for correct hole size and clearance to combustibles.
3. Install the wall thimble as per the instructions written on the thimble. Maintain an effective vapour barrier in accordance with local building codes.
4. Install a length of vent pipe into the wall thimble. Try not to have joints inside the thimble. The pipe should install easily into the thimble.
5. Connect the exhaust vent pipe to the exhaust pipe on the stove. Seal the connection with high temperature silicone.
6. Install the fresh air intake (see OUTSIDE FRESH AIR CONNECTION).
7. Push the stove straight back, leaving a minimum of 3" (7.6 cm) clearance from the back of the stove to the wall. Refer to Vent Manufacturers' instructions if sealant is required.

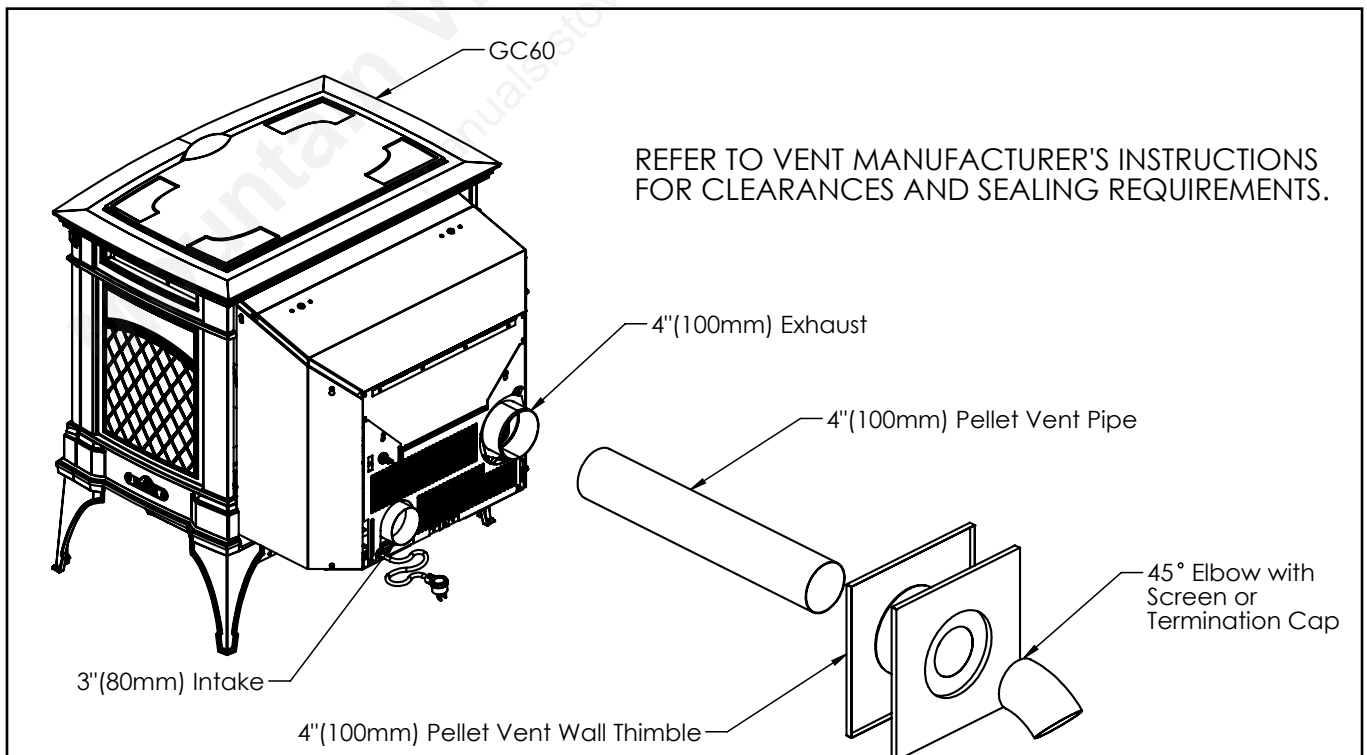


Figure 11: Straight through wall Installation.

INSTALLATION

- The pipe must extend at least 12" (30 cm) away from the building. If necessary, bring another length of pipe to the outside of the home to connect to the first section. Do not forget to place high temperature silicone around the pipe that passes through the thimble if required by vent manufacturer.
- Install a vertical pipe, or if all requirements for direct venting are met, install vent termination. The stainless steel cap termination manufactured by the vent manufacturer is recommended. However, when the vent terminates several feet above ground level and there are no trees, plants, etc. within several feet, a 45° elbow can be used as termination. The elbow must be turned down to prevent rain from entering.

NOTE:

- It is recommended that horizontal through wall installations have 3 to 5 feet (91 to 152 cm) of vertical pipe in the system to help naturally draft the unit in the event of extreme weather or a power outage.
- Some horizontal through wall installations may require a "T" and 3 to 5 feet (91 to 152 cm) of vertical pipe outside the building to help draft the unit. This may be required if a proper burn cannot be maintained, after the stove has been tested and the airflow set. This is due to the back pressure in the exhaust caused by airflow around the structure.
- Follow vent manufacturer guidelines for installation, clearance to combustibles, and sealing of venting. High temp Sealant must be used when connecting vent pipe to the unit's starter pipe. Improper seals at the vent joints may cause combustion by-products to leak into the room where installed - **seal as required by vent manufacturer.**

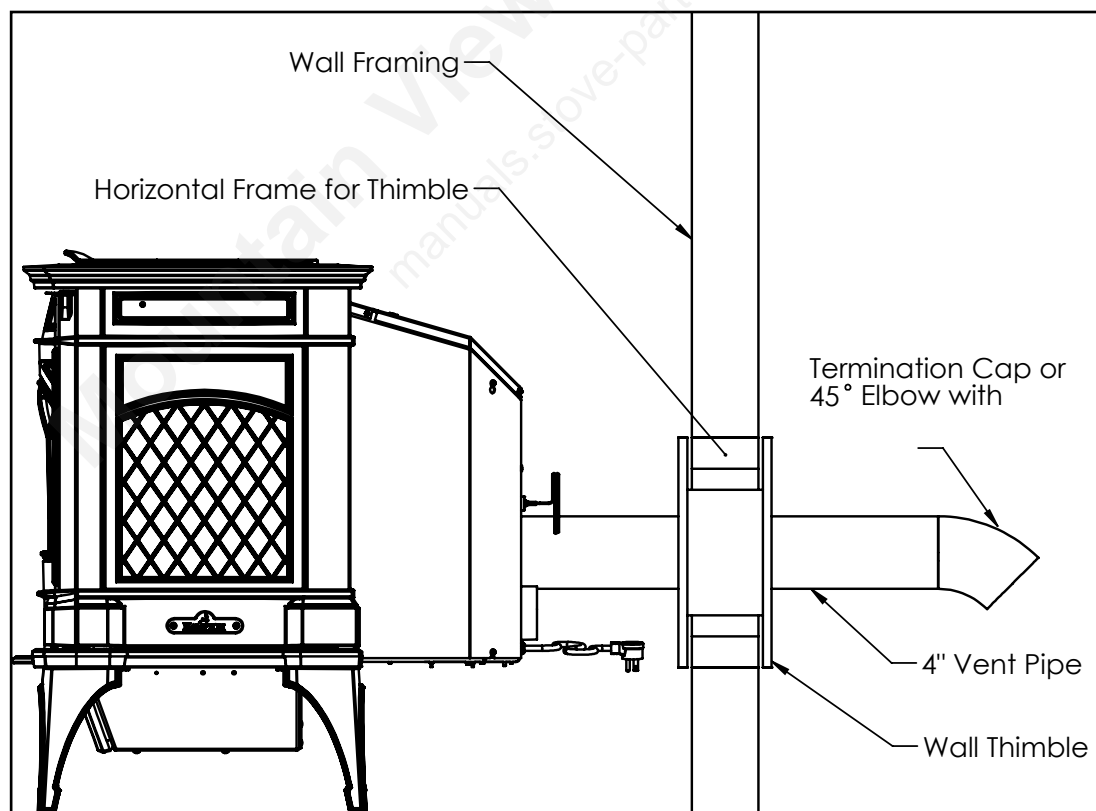


Figure 12: Straight through Wall Installation - Side View

INSTALLATION

RECOMMENDED - THROUGH WALL WITH VERTICAL RISE AND HORIZONTAL TERMINATION INSTALLATION:

A 45° down elbow with a screen may be used in place of the termination cap (or stainless steel termination hood).

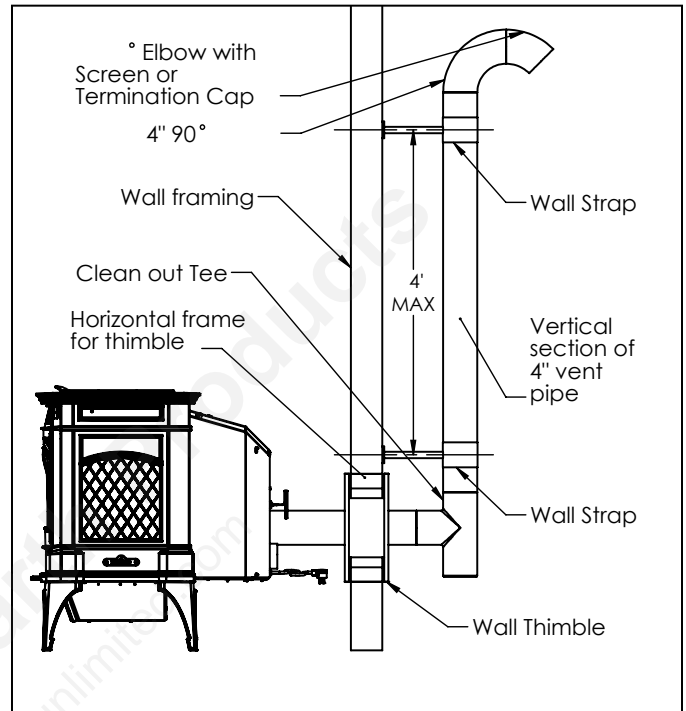


Figure 13: Venting horizontally with rise.

THROUGH CONCRETE WALL WITH VERTICAL RISE INSTALLATIONS:

Installation to use if there is a concrete or retaining wall in line with exhaust vent on pellet stove.

A 45° down elbow with a screen may be used in place of the termination cap (or stainless steel termination hood).

The termination must be 12 inches (30 cm) from the outside wall and 12 inches (30 cm) above the ground.

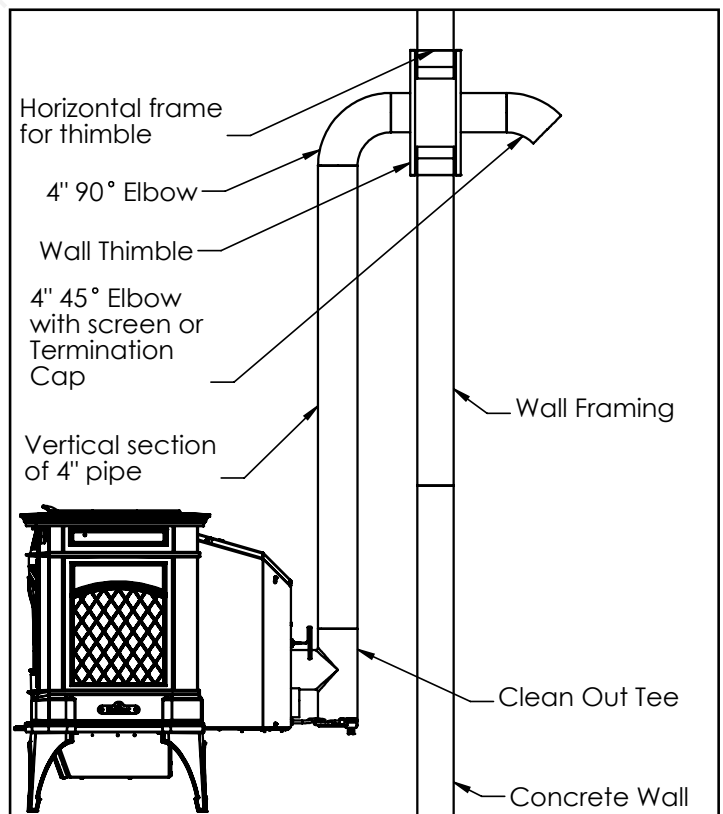


Figure 14: Venting with concrete wall behind unit .

INSTALLATION

OUTSIDE VERTICAL INSTALLATIONS:

To accomplish an outside vertical pipe installation, follow the "HORIZONTAL EXHAUST THROUGH WALL INSTALLATIONS" section and then finish it by performing the following (refer to Figure 15).

1. Install a tee with clean out on the outside of the house.
2. Install PL vent upward from the tee. Make sure that you install support brackets to keep the vent straight and secure. All joints in the exhaust venting system must be fastened with at least three (3) screws.
3. Install ceiling thimble and secure the flashing as you go through the roof.
4. Ensure that the rain cap is a minimum of 24" (610 mm) above the roof.

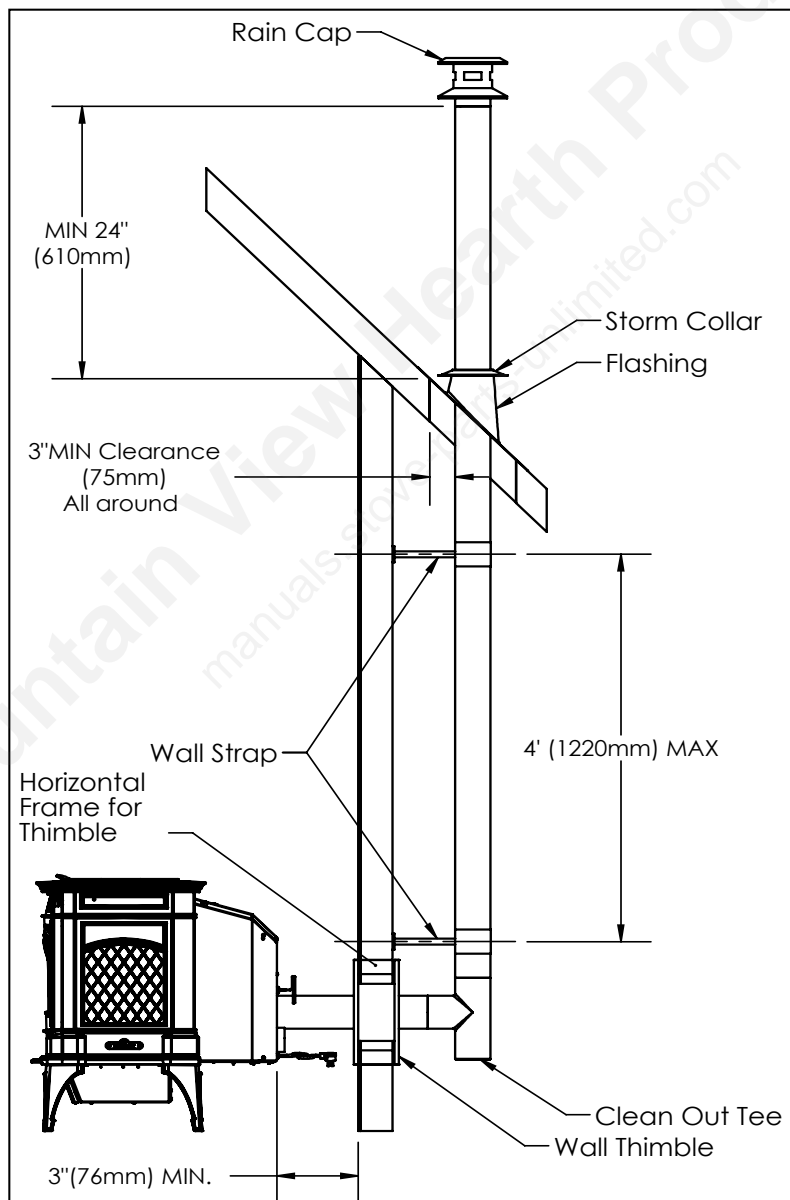


Figure 15: Outside Vertical Installation.

INSTALLATION

INSIDE VERTICAL INSTALLATIONS:

1. Place the unit on the hearth pad if a hearth pad is to be used (or on solid material if installed on a carpeted surface) and space the unit in a manner so when the pellet vent is installed vertically, it will meet the minimum clearance from a combustable wall stated by the vent manufacturer.
2. Install the tee with clean out.
3. Install the pellet vent upward from tee. When you reach the ceiling, make sure that the vent goes through a ceiling fire stop. Keep attic insulation away from the vent pipe & maintain an effective vapor barrier. All joints in the exhaust venting system must be fastened with at least three (3) screws. Refer to vent manufacturer for distance to combustibles & follow the vent manufacturer's instructions on sealing.
4. Finally, extend the pellet vent to go through the roof flashing.
5. Ensure that the rain cap is a minimum of 24" (61 cm) above the roof.
6. Install the fresh air system.

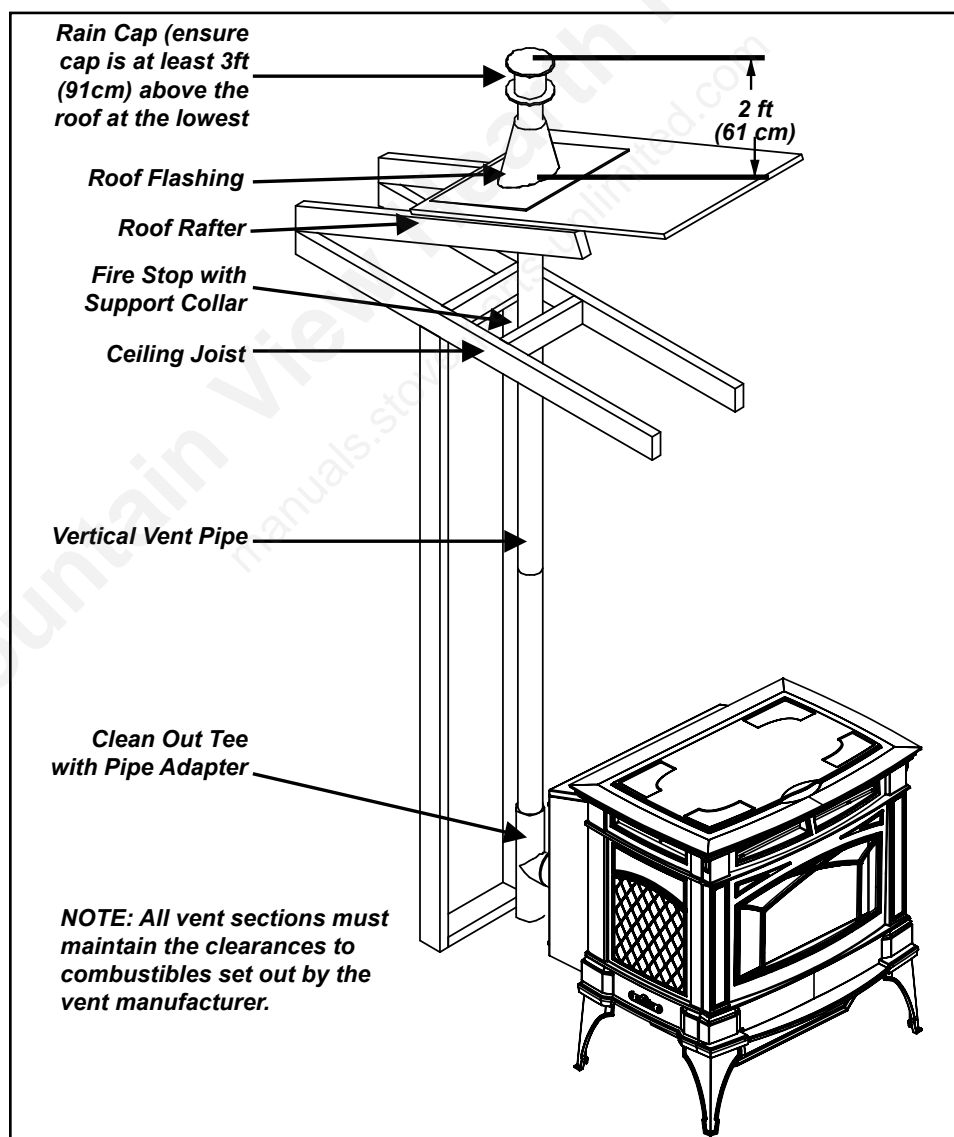


Figure 16: Inside Vertical Installation.

INSTALLATION

HEARTH MOUNT INSTALLATION:

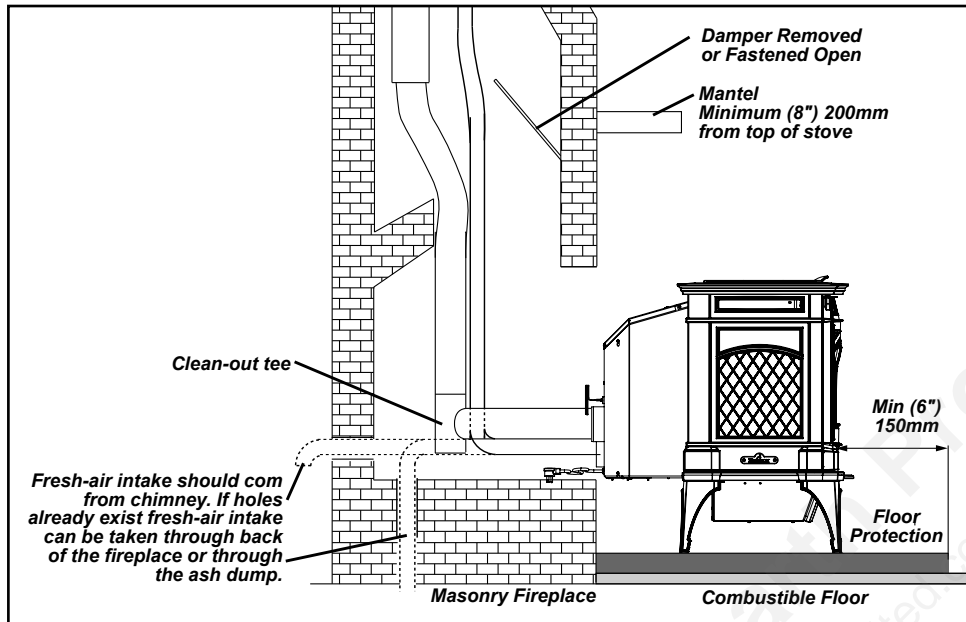


Figure 17: Hearth Mount - Side View.

1. Lock fireplace damper in the open position.
2. Install flexible stainless steel liner or listed pellet vent to the top of the chimney. All joints in the exhaust venting system must be fastened with at least three (3) screws.
3. Install a sealing plate at the top of the chimney.
4. Connect a rain cap and flex adapter to the chimney liner/pipe.
5. Connect a clean-out tee or a 90° elbow to the liner/pipe.
6. Install tee onto stove.

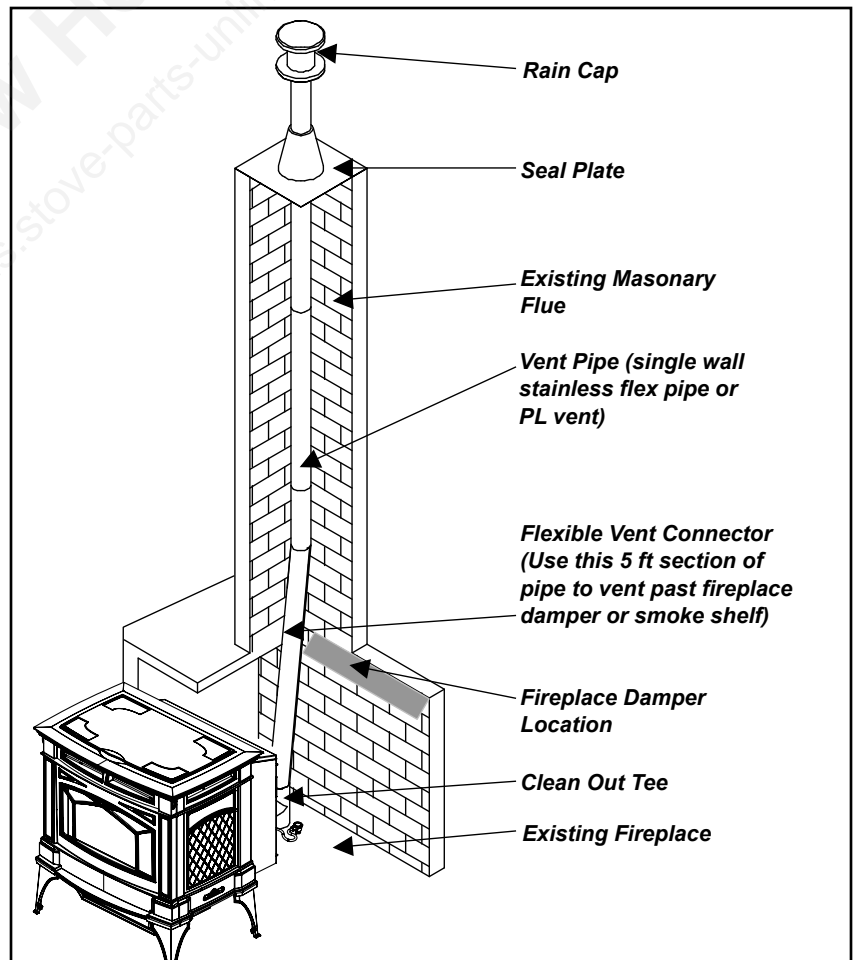


Figure 18: Hearth Mount - Over View.

INSTALLATION

SLIDER/DAMPER SET-UP:

This is used to regulate the airflow through the pellet stove.

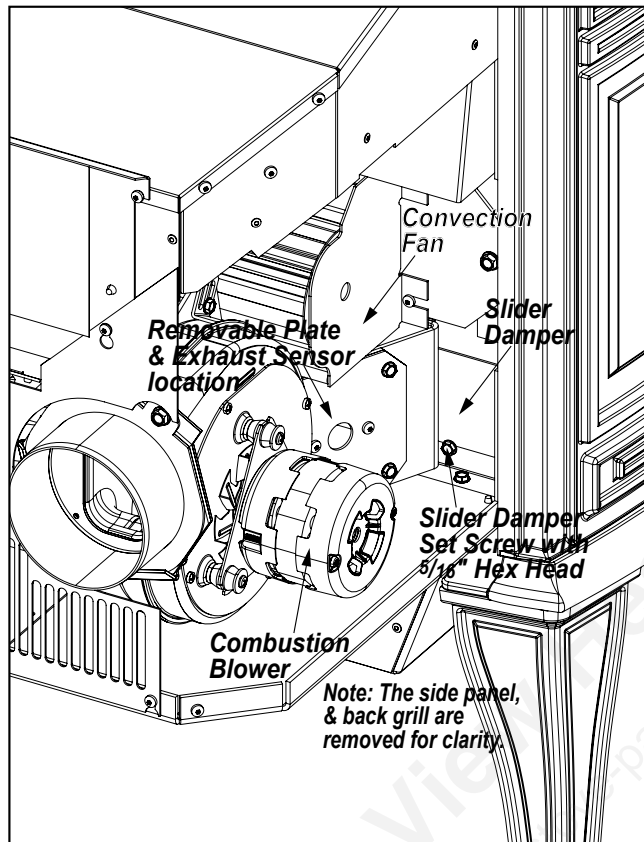
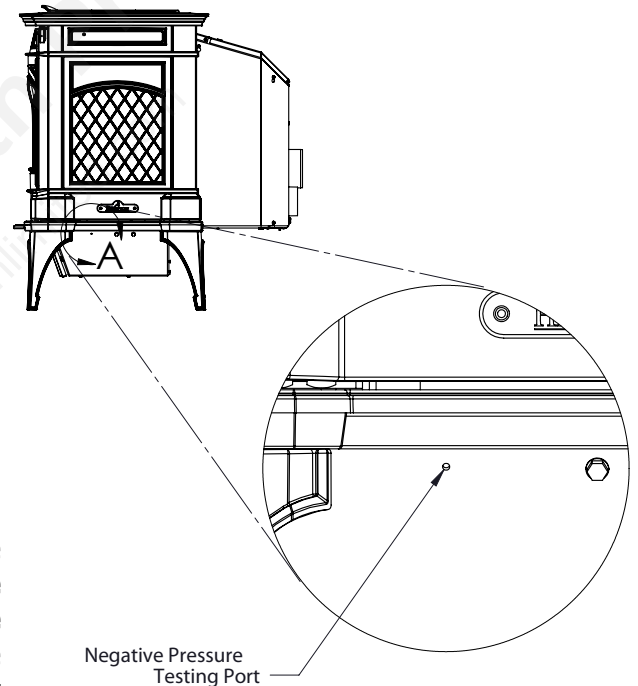


Figure 19: Slider/Damper Plate & Rod in Unit.



Negative Pressure Testing Port

This unit is designed to operate within a negative pressure range of **0.15-0.17 inches of water column (37-42 Pa)**. (See image on right for location to measure negative pressure test port). This can be measured using a Magnahelic pressure gauge once the unit has been running on heat level 5 setting after one hour of burn time. This adjustment is necessary for varying venting configurations. The reading can be taken from the $\frac{1}{8}$ " hole located on the right side of the Ash Box.

The Combustion Trim, Feed Trim and Fuel Type Functions can be used to compensate for varying fuel qualities. Refer to the Owners Manual for circuit board operation.

If, after long periods of burning, the fire builds up or there is a build up of clinkers, this would be a sign that the fuel quality is poor - this requires more air.

The easiest way to make sure that an efficient flame is achieved is to understand the characteristics of the fire.

- A tall, lazy flame with dark orange tips requires more air.
- A short, brisk flame, like a blowtorch, has too much air .
- If the flame is in the middle of these two characteristics with a bright yellow/orange, active flame with no black tips then the air is set for proper operation, refer to Figure 20.

SPECIAL NOTES:

Fuel quality is a major factor in how the stove will operate. If the fuel has a high moisture content or ash content the fire will be less efficient and has a higher possibility of the fire building up and creating clinkers (hard ash build-up).

TROUBLESHOOTING

DO NOT:

- Service the stove with wet hands. The stove is an electrical appliance, which may pose a shock hazard if handled improperly. Only qualified technicians should deal with possible internal electrical failures.
- Do not remove from the firebox any screws without penetrating oil lubrication.

WHAT TO DO IF:

1. The stove will not start.
2. The stove will not operate when hot.
3. The exhaust blower will not function normally.
4. Light # 3 on Heat output bar flashing.
5. Auger light flashes but auger motor does not turn at all.
6. The 200 °F (93 °C) high limit temperature sensor has tripped.
7. The convection blower will not function normally.
8. Ignitor- the Fuel will not light.
9. Control settings (Heat Level) has no effect on the fire.
10. The stove keeps going out.
- 11 The agitator does not turn.

*NOTE: All troubleshooting procedures should be carried out by qualified technicians or installers.

1. The stove will not start.

- Check the line fuse to see if it has blown.
- Make sure the stove is plugged in and the wall outlet is supplying power.
- If the Control Board has been placed in the ON /OFF thermostat mode, then turn the thermostat up to call for heat.
- Ensure the burn pot liner is correctly placed in the burn pot
- Check the Heat Level Indicator. - If the # 3 light is flashing (unit may be out of fuel)
- Check the Door and Ash Pan door - THEY MUST BE CLOSED TIGHT.
- See section 8 "The Fuel will not light".
- Check the fuse on the circuit board.
- If the unit still does not start, contact your local service dealer for service.

2. The stove will not operate when hot.

- Check the Heat Level Indicator if a fire is not detected or if the fire has gone out the #3 light will flash because the Exhaust Temperature Sensor's contacts have opened.
- Check the hopper for fuel.
- Incorrect air damper/combustion air trim setting.
Excessive air may consume the fire too quickly before the next drop of fuel, leaving completely unburned fuel in the burn pot liner.
Insufficient air may cause the vacuum switch to open or will cause build up, further restricting the air flow through the Burn Pot Liner. This in turn will cause the fuel to burn cold and very slowly. Fuel may build up and smother the fire. In this case clean the burn pot.
NOTE: The unit may require a change to the vent system or installation of fresh air to correct Air to Fuel ratio problems if unable to achieve proper damper setting.
- Combustion Blower failure. - The Combustion Blower is not turning fast enough to generate the proper vacuum in the fire box. Visual Check – is the blower motor turning. See section #3 - *The Exhaust Blower will not function normally.*
- Poor Quality Fuel – Insufficient energy in the fuel to produce enough heat to keep the stove burning

TROUBLESHOOTING

- Exhaust Temperature Sensor failure. Bypass sensor located on Exhaust Blower, if stove now operates properly, the unit may require cleaning or a new sensor. Contact your local dealer for service.
- Check the agitator to make sure it is turning properly

3. The exhaust motor will not function normally.

- Check the line fuse to see if it has blown.
- Open the access panels; check all connections against the wiring diagram.
- Check the Exhaust Blower voltage across the blower motor wires ($\geq 115V$ on #5 setting and $\geq 75V$ on #1 setting). – Replace the Circuit Board if the Voltage reading is less than 75 V. with a line voltage of $>115 V AC$.
- Clean all exhaust passages and venting.
- Check and, if necessary, replace capacitor.

4. Light # 3 on Heat output bar flashing (The Exhaust Temp. Switch contacts have opened.)

- Stove ran out of fuel - check fuel level in the hopper.
- See sections #2 - *Stove will not operate when hot*, #3 - *The Exhaust motor will not function normally*, and #5 - *Unit is on but auger does not turn at all* for more suggestions.
- Severe negative pressure in area where unit is installed - Check the operation by opening a window, does this solve the problem? If it does, install fresh air intake to unit or room. Venting system may require vertical section to move termination into a low pressure zone.
- To reset Circuit Board after a trouble code - push the ON/OFF button.

5. Unit is on but auger motor does not turn at all.

- Check the line fuse to see if it has blown.
- Check the Door and Ash Pan door - THEY MUST BE CLOSED TIGHT.
- If the Auger gear box does not turn but the motor's armature does try to spin, then the auger is jammed. Try to break apart jam by poking at the jam through the drop tube. If this fails then empty the hopper and remove the Auger Cover ****Remember to re-seal the cover after installation****
- Auger stopped running. Pinch, break or blockage in Vacuum Hose - Check hose for pinch points or damage, replace or re-route as required. Blow out Vacuum Hose and intake pipe.
- Damage to wires between Circuit Board and Vacuum Switch and Auger Motor - Inspect wires and connectors.
- Vacuum Switch failure - Bypass the vacuum switch, if this corrects the problem check for above problems before replacing the Vacuum Switch.
- Blocked exhaust / venting system - Have stove and venting cleaned and inspected.
- Check Vacuum levels at the Vacuum Switch, with a Magnahelic Gauge (readings must be above .07" W.C. on low fire).

6. Light # 4 on Heat output bar flashing The 200 °F (93 °C) high limit temperature sensor has tripped.

- Reset sensor and determine cause. Was it Convection Blower failure or Circuit board control problems?
- Hopper lid has been left open for longer than two minutes.

TROUBLESHOOTING

7. The convection blower will not function normally.

- Check the line fuse to see if it has blown.
- Clean all grill openings at the back and below unit .
- Check the Voltage across the blower wires, It should adjust with the heat output settings. If not contact your local dealer for service.

8. Ignitor - the pellets will not light.

- Check the line fuse to see if it has blown.

NOTE: The ignitor should be bright orange in color.

- Everything else in the stove operates but the ignitor will not light the pellets.
- Make sure the burn pot liner is up tight and square to the ignitor
- Check to see if the exhaust blower is operating. If not, contact your local dealer for service.

9. Control settings (Heat Level) has no effect on the fire.

- Check position of the Thermostat slide switch on the Circuit Board.
- If there is no control of the Heat Level button, make sure the thermostat is calling for heat.
- Call your local dealer for service.

10. The stove keeps going out.

If the stove goes out and leaves fresh unburned fuel in the burn pot liner, the fire is going out before the stove shuts off.

- Trim the combustion air down to decrease the magnahelic pressure.
- Turn the Heat Level up slightly (poor quality fuels will require slightly higher settings).
- Set the auger trim up one setting

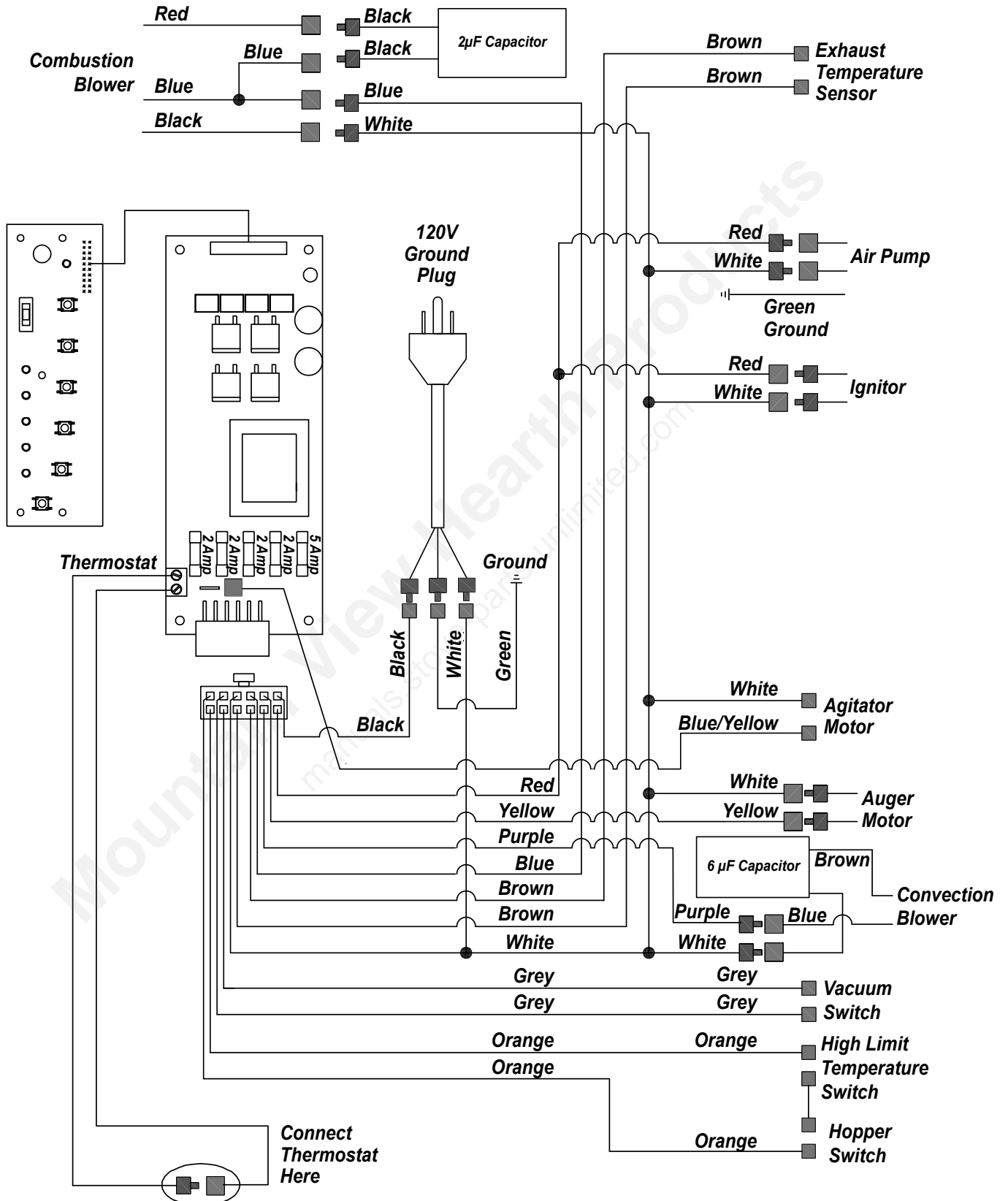
If the stove goes out and there are partially burned pellets left in the burn pot liner, the stove has shut down due to a lack of air, exhaust temperature, or power failure.

- Trim the combustion air to a higher setting to increase the magnahelic pressure inside the stove.
- Check to see if the stove needs a more complete cleaning.
- Turn the Heat Level up slightly (poor quality fuel will require slightly higher settings).
- Jump the exhaust temperature sensor, if this fixes the problem then replace the white 120 °F (49 °C) sensor
- Did the power go out?
- Contact your local Dealer for service.

11. The agitator does not turn.

- Ensure unit has finished start-up.
- Ensure agitator is locked into the drive shaft properly and is not jammed.
- Check drive chain assembly and gear motor for damage.
- Check the agitator motor is functioning properly.

WIRING DIAGRAM



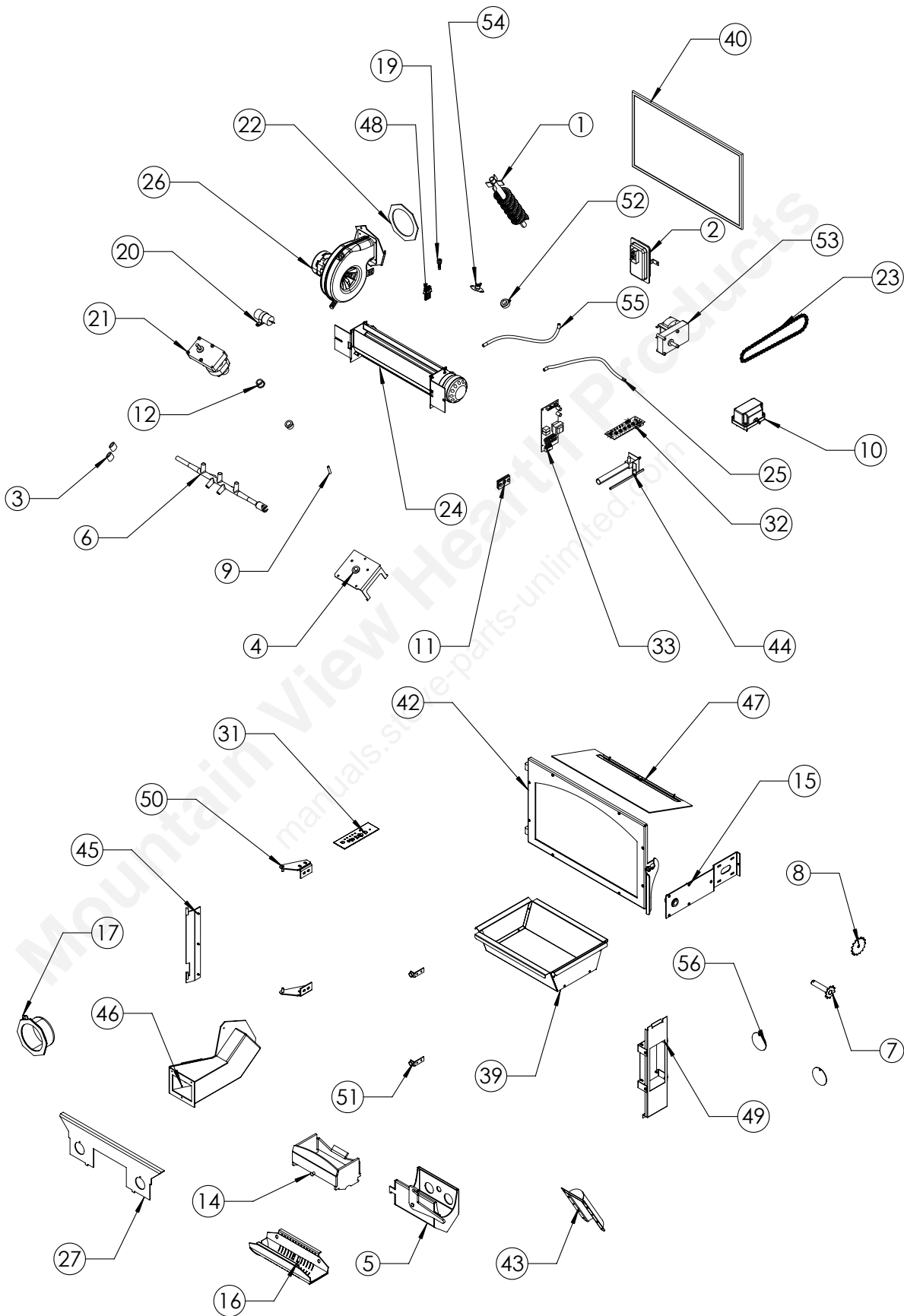
PARTS LIST

ITEM #	DESCRIPTION	PART #
not shown	Log Set (optional)	GC60-930
not shown	Glass Tinted (optional)	GC60-946
not shown	120 CERAMIC EXHAUST TEMP SENSOR	GF55-009
not shown	WINDOW CHANNEL TAPE 72"	GF55-018
not shown	5/8" DOOR GASKET 7'	GF55-019
not shown	PED & ASHPAN GASKET 10'	GF55-020
not shown	PELLET MECHANICAL & ELEC FASTENER BAG	GF55-021
not shown	BURN POT SCRAPER TOOL	GF55-023
not shown	DOMESTIC POWER CORD	GF55-025
not shown	HEYCO STRAIN RELIEF	GF55-026
not shown	PELLET SERVICE TOOL KIT	GF55-031
not shown	MAGNAHELIC GAUGE (TESTING UNIT)	GF55-035
not shown	PELLET STOVE CLEANING BRUSH	GF55-048
not shown	PELLET STOVE THERMOSTAT	GC60-001
not shown	DOOR & ASH DOOR GASKET 9/16 FIRM (10') W/JOINING TAPE(2)	GC60-019
not shown	GLASS RETAINER	GC60-025
not shown	LATCH BOLT & ROLLERS C/W NUT	GC60-031
not shown	2 AMP SMALL FUSE	GC60-032
not shown	4 AMP SMALL FUSE IGNITOR	GC60-033
not shown	ADJ AUGER FEED COVER KIT (N/C) PRE NOV 2010	GC60-034
not shown	COMBUSTION BLOWER MOUNTING GASKET C-10859	GC60-035
not shown	MAGNET 0.5" X 0.25" (NEO 45)	GC60-036
not shown	CONVECTION FAN CAPACITOR	GC60-039
not shown	CERAMIC REFRACTORY BRICK LINER KIT	GC60-044
not shown	HEAT EXCHANGER SCRAPER ROD	GC60-047
not shown	GC60 OWNERS MANUAL	GC60-053
not shown	GC60 TECHNICAL MANUAL	GC60-054
1	AUGER WITH PADDLES	GC60-002
2	VACUUM SWITCH LOW PRESURE	GC60-003
3	AUGER STOPS (CLEAR RUBBER)	GC60-004
4	AUGER PLATE AND BUSHING (ASSEMBLY)	GC60-005
5	BURN POT	GC60-006
6	STAINLESS STEEL CAST AGITATOR W/ COUPLER	GC60-007
7	AGITATOR DRIVE SHAFT W/SPROCKET	GC60-008
8	MOTOR DRIVE SPROCKET	GC60-009
9	1/4" SPRING PIN	GC60-010
10	AIR PUMP	GC60-011
11	AGITATOR BUSHING LEFT SIDE	GC60-012

PARTS LIST

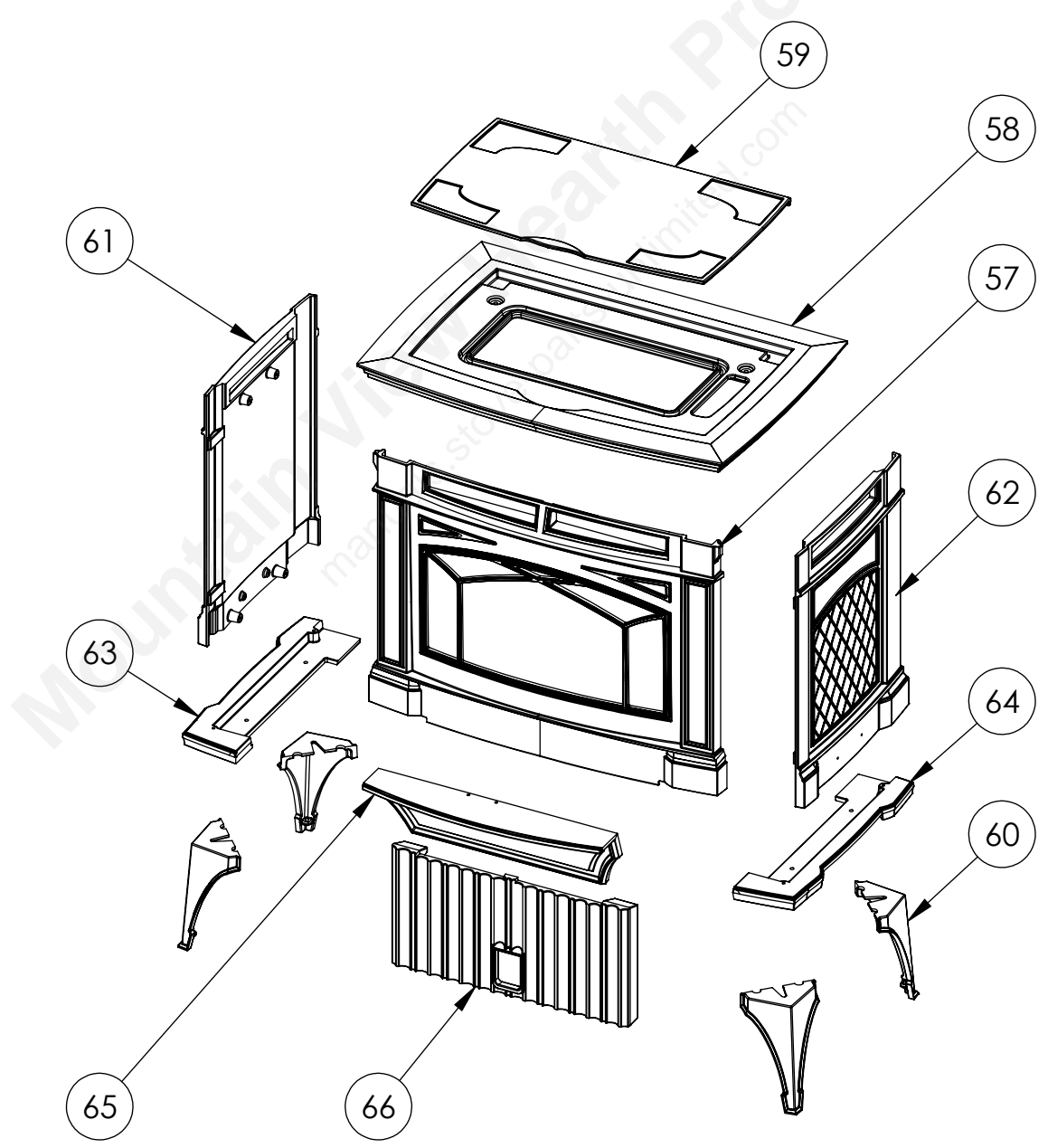
ITEM #	DESCRIPTION	PART #
12	AUGER BRASS BUSHINGS (2)	GF55-045
14	FIRE GRATE	GC60-013
15	AGITATOR DRIVE BRACKET	GC60-014
16	SS BURN POT LINER	GC60-015
17	4" EXHAUST STARTER TUBE C/W GASKET	GC60-040
19	HOPPER SWITCH	GC60-016
20	EXHAUST MOTOR CAPACITOR C/W STRAP	GC60-017
21	AGITATOR AUGER MOTOR 2 RPM	GC60-018
22	EXHAUST STARTER TUBE GASKET ONLY	GC60-042
23	DRIVE CHAIN	GC60-020
24	CONVECTION FAN 80MM	GC60-037
25	SILICONE HOSE (BLACK)	GC60-021
26	FS COMBUSTION BLOWER CW HOUSING /MOUNT/ GASKET	GC60-043
27	FIREBOX LOWER	GC60-045
31	GC60 CONTROL PANEL WITH DECAL	GC60-055
32	DAUGHTER BOARD	GC60-022
33	MOTHER BOARD	GC60-023
39	ASH PAN	GC60-046
40	GLASS	GC60-024
42	DOOR COMPLETE	GC60-026
43	AUGER TUBE COVER	GC60-027
44	IGNITOR ASSEMBLY	GC60-028
45	HINGE BRACKET (INNER)	GC60-029
46	EXHAUST CHANNEL CW SENSOR	GC60-048
47	BAFFLE	GC60-049
48	WIRING HARNESS	GC60-030
49	MOTHERBOARD MOUNTING PANEL	GC60-050
50	CAST FRONT MOUNTING BRACKETS (SET OF 2)	GC60-052
51	MAGNET LATCH (SET OF 2)	GC60-051
52	5/8" I.D. AUGER COLLAR W/SCREW	GF55-047
53	AUGER MOTOR 1 RPM	GF55-001
54	200 HIGH LIMIT SENSOR MANUAL RESET	GF55-011
55	SILICONE HOSE	GF55-013
56	FIREBOX CLEANING PORT COVERS - PD	GC60-038
66	CAST FLUTED FIREBOX LINER	GC60-041

PARTS DIAGRAM - COMPONENTS



PARTS DIAGRAM - CAST

ITEM #	DESCRIPTION	PART #
57	GC60 CAST FRONT - CHARCOAL	GC60-201
58	GC60 CAST TOP - CHARCOAL	GC60-211
59	GC60 CAST HOPPER LID - CHARCOAL	GC60-221
60	GC60 CAST LEG - CHARCOAL	GC60-231
61	GC60 CAST SIDE LEFT - CHARCOAL	GC60-241
62	GC60 CAST SIDE RIGHT - CHARCOAL	GC60-251
63	GC60 CAST LEG LIP LEFT - CHARCOAL	GC60-261
64	GC60 CAST LEG LIP RIGHT - CHARCOAL	GC60-271
65	GC60 CAST ASH DOOR - CHARCOAL	GC60-281



WARRANTY

FPI is the manufacturer of the Hampton line of pellet heating products. At FPI, our commitment to the highest level of quality and customer service is the most important thing we do. Each Hampton stove is built on a tradition of using only the finest materials and is backed by our Exclusive Lifetime Limited Warranty to the original purchaser. With Hampton, you're not just buying a stove, you're buying a company with years of unequalled performance and quality.

Limited Lifetime Warranty:

Under this warranty, FPI covers the fireplace or stove body and accessories against defects in materials and workmanship, for part repair or replacement for the first seven (7) years and limited labour for the first two (2) years to the original purchaser. This Warranty covers: Firebox, Heat Exchanger, Burn Pot, Firebox Panels, Ceramic Glass, Pedestals, Panels, Legs, Log Sets and Door Assembly. Please see the exclusions and limitation section below as certain restrictions and exclusions apply to this warranty.

Limited Three (3) Year Warranty

Under this warranty, FPI covers the Burn Pot Liner against defects in materials and workmanship, for part repair or replacement for the first three (3) years and limited labour for the first two (2) years to the original purchaser. Please see the exclusions and limitation section below as certain restrictions and exclusions apply to this warranty.

Limited Two (2) Year Warranty:

Under this warranty, FPI covers: Auger Motor, Circuit Board, Timers, Temp Sensors, Blowers, Vacuum Switch and Wire Harness, against defects in materials and workmanship, for part repair or replacement for the first two (2) years and limited labour for the first two (2) years to the original purchaser. Please see the exclusions and limitation section below as certain restrictions and exclusions apply to this warranty.

Limited One (1) Year Warranty:

Under this warranty, FPI covers the Ignitor and all exterior surface finishes against defects in materials and workmanship, for part repair or replacement and limited labour for the first (1) year to the original purchaser. Please see the exclusions and limitation section below as certain restrictions and exclusions apply to this warranty.

Please Note - Burning Corn or Grains - Burning corn or other grains creates a harsher environment than burning wood pellets. The sugar in corn turns to acid during the combustion process and erodes certain components at a faster rate. The burn pot liner and the agitator in your Multi - Fuel stove is a consumable item when burning corn or other grains, and not covered under warranty. We expect that these components will last a couple of burn seasons but due to the wide variety and quality of grains we are not able to accurately predict how long they will last.

Here is how our Warranty works

If you have any concerns with your Hampton product please contact the dealer where you purchased the fireplace or stove. Your dealer shall make all claims in writing in reference to this warranty policy. Any and all parts and service will be handled through the selling dealer.

To the Dealer

When filling out a warranty claim please complete the following information on an official warranty claim form:

Customer information: Name, address and telephone number of purchaser and date of purchase.

Dealer information: Date of installation, name of installer and dealer, serial number of the appliance, nature of complaint, defects or malfunction, description and part numbers of any parts replaced.

To the Distributor

Sign and verify that work and information are correct.

WARRANTY

Exclusions and Limitations:

1. This Warranty does not cover tarnish, discoloration or wear on the plating or paint.
2. This Warranty excludes wear and tear or breakage caused by cleaning, moving or service on log set.
3. A qualified installer must install this stove or fireplace. This Limited Warranty covers defects in materials and workmanship only if the product has been installed in accordance with local building and fire codes; in their absence, refer to the owner's manual. If the product is damaged or broken as a result of any alteration, willful abuse, mishandling, accident, neglect, or misuse of the product, the Limited Warranty does not apply.
4. The stove must be operated and maintained at all times in accordance with the instructions in the Owner's Manual. If the unit shows signs of neglect or misuse, it is not covered under the terms of this Warranty policy. Performance problems due to operator error will not be covered by the Limited Warranty policy.
5. As this is a heating appliance some changes in colour of surface finishes may occur. This is not a flaw and as such is not covered under this warranty.
6. Some minor expansion, contraction, or movement of certain parts and resulting noise, is normal and not a defect and therefore, is not covered under this Limited Warranty.
7. Misuse includes over-firing. Over-firing this appliance can cause serious damage and will nullify the Limited Warranty.
8. The Limited Warranty will cover glass thermal breakage only and will not cover misuse of the stove glass, including but not limited to glass that is struck, has surface contaminates or has had harsh or abrasive cleaners used on it.
9. This warranty does not cover products made or provided by other manufacturers and used in conjunction with the operation of this stove without prior authorization from FPI The use of such products may nullify the Limited Warranty on this stove. If unsure as to the extent of this Limited Warranty, contact your authorized Hampton dealer before installation.
10. FPI will not be responsible for inadequate performance caused by environmental conditions, or use of any fuel other than certified wood pellets.
11. The Limited Warranty does not cover installation and operational related problems such as spillage caused by environmental conditions. Environmental conditions include but are not limited to nearby trees, buildings, roof tops, wind, hills, mountains, inadequate venting or ventilation, excessive offsets, negative air pressures or other influences caused by mechanical systems such as furnaces, fans, clothes dryers etc.
12. The Limited Warranty is void if:
 - a) The stove has been operated in atmospheres contaminated by chlorine, fluorine or other damaging chemicals.
 - b) The stove is subject to submersion in water or prolonged periods of dampness or condensation.
 - c) Any damage to the unit, combustion chamber or other components due to water, or weather damage which is the result of, but not limited to, improper chimney/venting installation.
 - c) Salt air in coastal areas or high humidity can be corrosive to the finish; these environments can cause rusting. Damage caused by salt air or high humidity is not covered by the Limited Warranty.
13. Exclusions to the Limited Warranty include: injury, loss of use, damage, failure to function due to accident, negligence, misuse, improper installation, alteration or adjustment of the manufacturer's settings of components, lack of proper and regular maintenance, alteration, or act of God.
14. The Limited Warranty does not cover damage caused to the fireplace or stove while in transit. If this occurs, do not operate the stove and contact your courier and/or dealer.
15. The Limited Warranty does not extend to or include firebox paint, door or glass gaskets with damage caused by normal wear and tear, or exterior paint discoloration or chipping, worn gaskets, etc.
16. The Limited Warranty does not include damage to the unit caused by abuse, improper installation, or modification of the unit. 17. Damage to plated surfaces caused by fingerprints, scratches, melted items, or other external scores and residues left on the plated surfaces from the use of abrasive cleaners or polishes is not covered in this warranty.

WARRANTY

18. The Limited Warranty does not cover tarnish, discoloration or wear on the plated surfaces.
19. The paint on the Metal Brick Liner may peel. This is due to the extreme conditions applied to the paint during normal usage. It is not a flaw and is not covered under warranty.
20. FPI is free of liability for any damages caused by the fireplace or stove, as well as inconvenience expenses and materials. The Limited Warranty does not cover incidental or consequential damages.
21. The Limited Warranty does not cover any loss or damage incurred by the use or removal of any component or apparatus to or from the Hampton wood pellet stove or insert without the express written permission of FPI and bearing a FPI label of approval.
22. Any statement or representation of Hampton products and their performance contained in Hampton advertising, packaging literature, or printed material is not part of the Limited Warranty.
23. The Limited Warranty is automatically voided if the fireplace or stove's serial number has been removed or altered in any way. If the stove is used for commercial purposes, it is excluded from the Limited Warranty.
24. No dealer, distributor, or similar person has the authority to represent or warrant Hampton products beyond the terms contained within the Limited Warranty. FPI assumes no liability for such warranties or representations.
25. FPI will not cover the cost of the removal or re-installation of the stove, hearth, facing, mantels, venting or other components.
26. Labour to replace or repair items under this Limited Warranty will be covered per our warranty service fee reimbursement schedule. Labour rates are set per component and as such total labour costs may not be covered.
27. FPI is not liable for freight or labour on any stove replaced in-field and is not liable for travel costs for service work. In the event of in-home repair work, the customer will pay any in-home travel fees or service charges required by the Authorized Dealer.
28. At no time will FPI be liable for any consequential damages which exceed the purchase price of the unit. FPI has no obligation to enhance or modify any stove once manufactured (example: as a stove evolves, field modifications or upgrades will not be performed).
29. This Limited Warranty is applicable only to the original purchaser and it is non-transferable.
30. This warranty only covers Hampton products that are purchased through an authorized Hampton dealer.
31. If for any reason any section of the Limited Warranty is declared invalid, the balance of the warranty remains in effect and all other clauses shall remain in effect.
32. The Limited Warranty is the only warranty supplied by FPI, the manufacturer of the stove. All other warranties, whether express or implied, are hereby expressly disclaimed and purchaser's recourse is expressly limited to the Limited Warranty.
33. FPI and its employees or representatives will not assume any damages, either directly or indirectly, caused by improper usage, operation, installation, servicing or maintenance of this stove.
34. FPI reserves the right to make changes without notice. Please complete and mail the warranty registration card and have the installer fill in the installation data sheet in the back of the manual for warranty and future reference.

Register your Regency® warranty online www.regency-fire.com

Reasons to register your product online today!

- View and modify a list of all your registered products.
- Request automatic email notification of new product updates.
- Stay informed about the current promotions, events, and special offers on related products.

Installer: Please complete the following information

Dealer Name & Address: _____

Installer: _____

Phone #: _____

Date Installed: _____

Serial No.: _____