



# GF55 & GF155

## TECHNICAL MANUAL

### Freestanding and Fireplace Insert Pellet Stove



#### WARNING:

Improper installation, adjustment, alteration, service or maintenance can cause injury, property damage, or loss of life. Refer to this manual. For assistance or additional information consult an authorized installer or service agency.

#### FOR YOUR SAFETY:

Do not store or use gasoline or other flammable vapours and liquids in the vicinity of this or any other appliance.

Installation and service must be performed by an authorized installer or service agency.

Tested by:



## **IMPORTANT: SAVE THESE INSTRUCTIONS**

---

**Safety Note:** If this stove is not properly installed, a house fire may result. For your safety, follow the installation instructions, contact local building, fire officials, or authority having jurisdiction about restrictions and installation inspection requirements in your area.

The authority having jurisdiction should be consulted before installation to determine the need to obtain a permit.



**NATIONAL FIREPLACE INSTITUTE**  
**NFI**  
**CERTIFIED**  
[www.nficertified.org](http://www.nficertified.org)

We recommend that our products be installed and serviced by professionals who are certified in the U.S. by the National Fireplace Institute® (NFI) or in Canada by Wood Energy Technical Training (WETT).

 **Wood Energy Technical Training**  
[www.wettinc.ca](http://www.wettinc.ca)

 **ONE REGENCY = ONE TREE**

For each Regency sold we plant a tree  
[AmericanForests.org](http://AmericanForests.org)

# TABLE OF CONTENTS

\* This manual is designed for the technician in conjunction with the owner's manual. \*

## SAFETY LABEL

Copy of Serial No. Decal .....	4
--------------------------------	---

## UNIT DIMENSIONS

GF55 Freestanding Pellet Stove .....	5
GF155 Fireplace Pellet Insert.....	6

## INSTALLATION

Important Safety Information .....	7
Safety Warnings & Recommendations.....	7
Removing Pellet Stove From Pallet.....	8
Opening the Door .....	8
Locating the Pellet Appliance .....	8

GF55 Freestanding Pellet Stove .....	9
Clearances to Combustibles.....	9
Alcove Clearances.....	9
Mobile Home Installation .....	9
Vent Termination Requirements .....	10
Exhaust & Fresh Air Intake Location .....	11
Outside Fresh Air Connection.....	11
Corner Through Wall Install.....	11
Horizontal Exhaust Through Wall Install.....	12
Vertical Rise with Horizontal Termination .....	13
Through Concrete Wall with Vertical Rise .....	13
Inside Vertical Installations .....	13
Outside Vertical Installations .....	14
Hearth Mount Installations.....	14

GF155 Pellet Insert.....	15
Clearances to Combustibles.....	15
Fireplace Specifications.....	15
Pedestal & Leveling Legs .....	15
Hopper Cover & Adjusting Hopper Height.....	15
Exhaust & Fresh Air Intake Location .....	16
Outside Fresh Air Connection.....	16
Masonry Fireplace Insert Install.....	16
Positive Flue Connection without a Full Reline (USA only) .....	17
Control Panel in Surround Panel.....	18
Surround Panel Installation .....	18

Plated Door Installation .....	19
Thermostat Installation .....	19
Hopper Grate Installation.....	20
Slider / Damper Set-Up .....	20

## TROUBLESHOOTING

Troubleshooting FAQ's .....	21
Wiring Diagram.....	23

## PARTS LIST

Parts List & Components.....	24
Pellet Stove Components .....	25
GF55 Freestanding Pellet Stove .....	26
GF155 Pellet Insert.....	27

## WARRANTY

Warranty .....	28
Exclusions and Limitations .....	29

# SAFETY LABEL

This is a copy of the label that accompanies each GF55 & GF155. We have printed a copy of the contents here for your reference.

On the GF55 the safety label is located on the underside of the hopper lid.

On the GF155 the safety label is located on the hopper cover behind the top faceplate.

**334** Serial No. / No. De Sérié:

Model / Modèle:  Greenfire  GF55 (Stove)  GF155 (Insert)

Listed Room Heater, Pelletized Fuel Type (Appareil de chauffage à granulés certifié) Suitable For Mobile Home Installation (Accepté pour l'installation dans une maison mobile, test) Tested to (Testée selon): UL 142-1938 / ULC S627-00 / ASTM 1509-95 / ULC S628-M33

This pellet appliance has been listed for use in manufactured homes in accordance with Oregon Administration Rules 814-23-900 through 814-23-909. Install and use only in accordance with the Manufacturer's installation and operating instructions. Contact local building or fire officials about restrictions and installation inspection in your area. Do not connect this unit to a chimney flue serving another appliance. See local building codes and manufacturers instructions for precautions required for passing a chimney through a combustible wall or ceiling. Electrical rating: 120 volts, 60 Hz, 4.3 Amps. Route cord away from the heater.

Cet appareil a été testé et certifié pour utilisation dans les maisons mobiles en accord avec les "Règles Administratives de l'Oregon 814-23-900 à 814-23-909". Installez et utilisez cet appareil seulement selon les instructions et les inspections d'installation. Consultez les codes de bâtiment locaux et les instructions du fabricant pour les précautions à prendre lorsque une cheminée doit être installée au travers un mur ou un plafond combustible. CLASSEMENT ÉLECTRIQUE: 120 Volts, 60 Hz, 4.1 Amps. Placez le câble électrique loin de la chaudière.

For Use With Only Pelletized Wood fuels. Operate only with viewing door and ash removal door closed. Only replace glass with ceramic glass. Components required for installation: a 3 inch (75 mm) or 4inch (100 mm) listed PL vent complete with components. Insert and Hearth mount installations: a listed single wall chimney liner may be used. Inspect and clean Exhaust Venting system frequently.

Utilisation avec les combustibles sous forme de boûlets uniquement. Utilisez seulement lorsque les portes avant et la porte du réceptacle de cendre sont fermées. Si une ou des vitres devaient être remplacées, utilisez seulement du verre céramique. Les composantes requises pour l'installation sont un évent PL certifié de 3in/75mm ou 4in/100mm avec ses composantes. Les installations insertion et de mont de foyer: un paquebot de cheminée de mur de seuil énuméré peut être utilisé.

Input Rating (Les données évaluées): 12,000 to 45,000 BTU/HR (3.5 to 13.2 kW/h)

**DO NOT REMOVE THIS LABEL / NE RETIREZ PAS CETTE ÉTIQUETTE**

INSTALLED AS A FIREPLACE INSERT STOVE MODEL (GF155) / A INSTALLE COMME UN MODÈLE FS, QUIL SOIT ENCASTRÉ, SUR PIED OU DANS UNE MAISON MOBILE. Minimum clearances to combustible materials / Les dégagements minimums aux matériaux combustibles:

A. Sidewall to Unit (Du mur de côté à l'appareil)	6" (152 mm)	A. Sidewall to Unit (Du mur de côté à l'appareil)	8" (203 mm)
B. Backwall to Unit (Du mur de derrière à l'appareil)	3" (76 mm)	B. Top of unit to an unshielded 8" (203 mm) mantle (Le sommet de l'unité à un manteau de cheminée non blindé)	8" (203 mm)
C. Corner to Unit (Du coin à l'appareil)	2" (51 mm)	C. Unit to top facing (protruding 3/4" [19 mm]) (De l'unité au sommet du parement)	8" (203 mm)
D. Wall to vent (Le mur pour donner vent)	3" (76 mm)	D. Unit to side facing (protruding 3/4" [19 mm]) (De l'unité au côté du parement)	8" (203 mm)
E. Floor door opening of unit to edge of floor protection (De la porte ouvrant au devant de protection de plancher) (De la porte ouvrant au devant de protection de plancher)	6" (152 mm)	E. From door opening of unit to edge of floor protection (De l'ouverture de porte pour prendre part de protection de plancher)	6" (152 mm)
F. Minimum Alcove Width (La largeur minimum de l'alcove)	36" (914 mm)	F. From side of unit to edge of floor protection (De l'ouverture de porte pour prendre part de protection de plancher)	6" (152 mm)
G. Minimum Alcove Height (La hauteur minimum de l'alcove)	48" (1219 mm)		
H. Maximum Alcove Depth (La profondeur maximum de l'alcove)	30" (762 mm)		

The unit can be installed on a hard, stable non-combustible surface. L'unité peut être installée sur un dur, la surface non-combustible stable.

Combustible floors must be protected by a non-combustible material. - See Owners Manual. Le plancher combustible doit être protégé par un matériel incombustible. - Consultez le manuel.

Manufactured in Canada for / Fabriqué dans le Canada pour: FPPI Fireplace Products International Ltd., Delta, BC, Canada. 15956 Certified for use in Canada & USA. Certifié pour installation au Canada et aux États-Unis.

**ATTENTION:**  
Hot while operating. Do not touch, severe burns may result. Keep children, clothing, furniture, gasoline or other flammable vapors away.  
See installation and operating instructions accompanying appliances. / Consultez le manuel avec les instructions d'installation et d'opération.

**ATTENTION:**  
Très chaud quand allumé. Ne touchez pas, les brûlures sévères peuvent résulter. Tenez loin des enfants, des vêtements, des meubles, de l'essence ou d'autres fluides produisant des vapeurs inflammables. Voir les instructions d'installation et d'opération.

To Start Stove: Press the ON / OFF button. If the auger needs to be primed, press the Manual Auger Feed button until fuel starts to drop into the Burn Pot. To Operate Stove: MANUAL MODE: When a fire has been established the stove settings are adjustable. / HIGH/LOW MODE: (Requires a thermostat) When the thermostat calls for heat the stove settings are adjustable. When the thermostat contacts open, the HEAT LEVEL and Fans will drop down to the LOW setting until the thermostat contacts close again. / AUTO/OFF MODE: (Requires a thermostat) When the thermostat contacts close, the unit will light automatically. Once up to temperature the stove settings are adjustable. When the thermostat contacts open, the stove will drop down to the LOW settings for 30 minutes. If within the 30 min the thermostat contacts close, the HEAT LEVEL will return to previous MANUAL setting or if the thermostat contacts remain open the stove begin its shutdown routine.  
To Turn Off Stove: MANUAL and HI / LOW mode: Press the ON / OFF button AUTO / OFF mode: Turn the thermostat down or off.

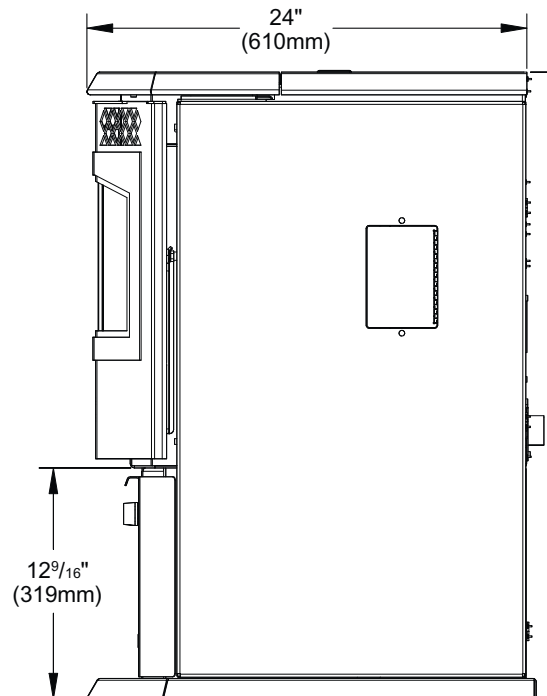
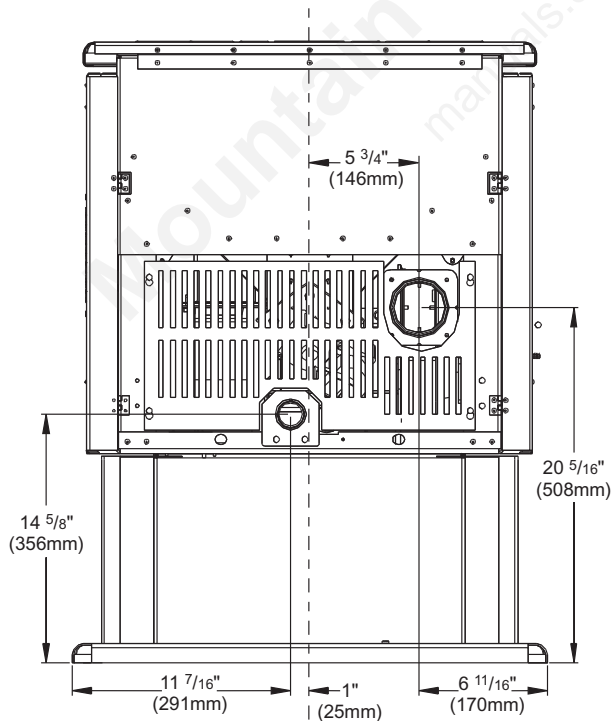
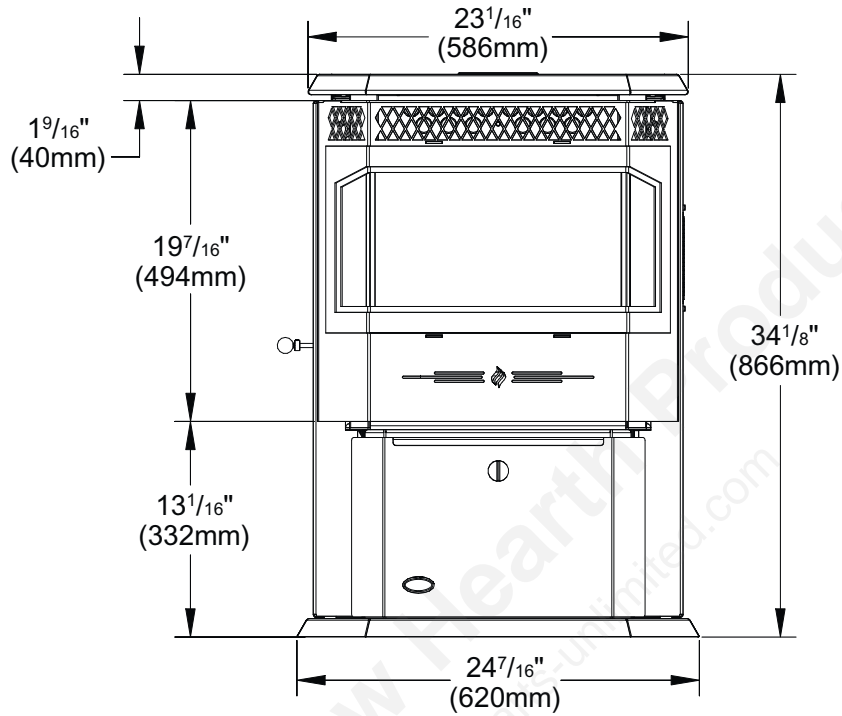
Pour démarrer le poêle: Appuyez sur le bouton "ON/OFF". Si le Auger nécessite d'être amorcé, appuyez sur le bouton Manual Auger Feed jusqu'à ce que les granulés se déversent dans le pot de combustion. Pour faire fonctionner le poêle: MODE "MANUEL": Lorsque le feu est bien établi, les réglages peuvent être ajustés. / MODE "HIGH/LOW": (Nécessite un thermostat) Lorsque le thermostat requière de la chaleur, les réglages peuvent être ajustés. Lorsque les contacts du thermostat ouvrent, le thermostat requière de la chaleur, les réglages peuvent être ajustés. Lorsque les contacts du thermostat se ferment, le poêle s'allumera automatiquement. Lorsque la température adéquate est atteinte, les réglages peuvent être ajustés. Lorsque les contacts du thermostat ouvrent, le poêle s'ajustera aux réglages "LOW", pendant 30 minutes. Si les contacts du thermostat restent ouverts, le poêle entamera le processus d'arrêt. Pour éteindre le poêle: MODE "MANUEL ET" "HIGH/LOW": Appuyez sur le bouton "ON/OFF".

GF55-081

J F M A M J J A S O N D 2008 2009 2010

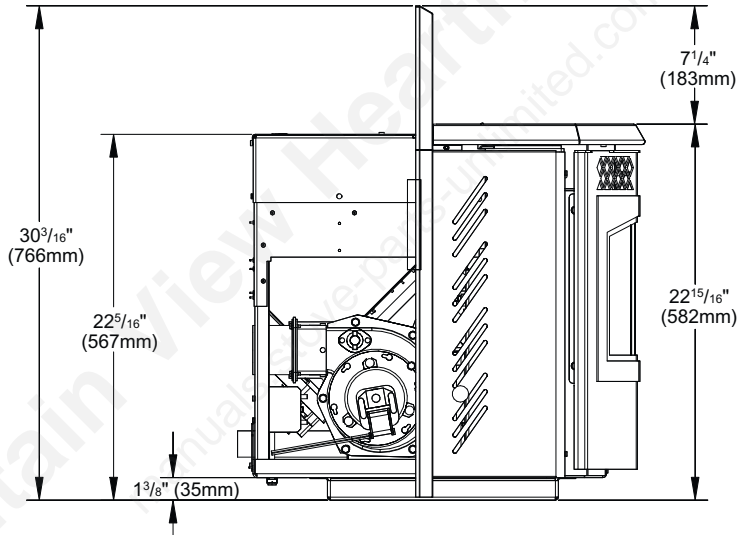
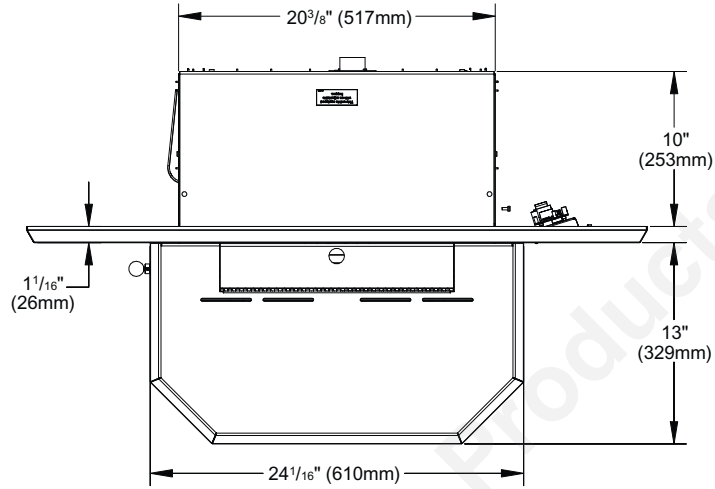
DATE OF MANUFACTURE / DATE DE FABRICATION:

## GF55 FREESTANDING PELLET STOVE

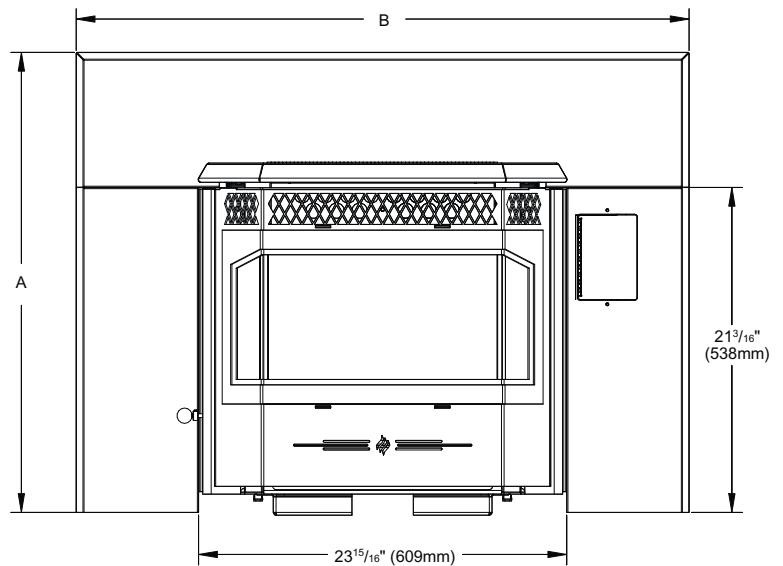


# UNIT DIMENSIONS

## GFI55 FIREPLACE PELLET INSERT



FACEPLATE DIMENSIONS	
<b>Regular Faceplate</b>	
(A) Height	30" (761mm)
(B) Width	39-15/16" (1014mm)
<b>Oversize Faceplate</b>	
(A) Height	33" (838mm)
(B) Width	45-15/16" (1167mm)



## IMPORTANT SAFETY INFORMATION

### Failure to follow these instructions may result in property damage, bodily injury or even death.

Contact your local building or fire official to obtain a permit and any information on installation restrictions and inspection requirements for your area.

To prevent the possibility of a fire, ensure that the appliance is properly installed by adhering to the installation instructions. A Greenfire dealer will be happy to assist you in obtaining information with regards to your local building codes and installation restrictions.

Be sure to maintain the structural integrity of the home when passing a vent through walls, ceilings, or roofs.

The stove's exhaust system works with negative combustion chamber pressure and a slightly positive chimney pressure. It is very important to ensure that the exhaust system be sealed and airtight. The ash pan and viewing door must be locked securely for proper and safe operation of the pellet stove.

Do not burn with insufficient combustion air. A periodic check is recommended to ensure proper combustion air is admitted to the combustion chamber. Setting the proper combustion air is achieved by adjusting the slider damper located on the left side of the stove. Refer to "Slider/Damper Set-up" section.

When installing the stove in a mobile home, it must be electrically grounded to the steel chassis of the home and bolted to the floor. Make sure that the structural integrity of the home is maintained and all construction meets local building codes.

Minor soot or creosote may accumulate when the stove is operated under incorrect conditions such as an extremely rich burn (black tipped, lazy orange flames).

If you have any questions with regard to your stove or the above-mentioned information, please feel free to contact your local dealer for further clarification and comments.

## SAFETY WARNINGS & RECOMMENDATIONS

### CAUTION:

**Do not connect to any air distribution duct or system.**  
**Do not burn garbage or flammable fluids such as gasoline, naphtha or engine oil.**  
**Unit hot while in operation. Keep children, clothing and furniture away. Contact may cause skin burns.**

**SOOT:** Operation of the stove with insufficient combustion air will result in the formation of soot which will collect on the glass, the heat exchanger, the exhaust vent system, and may stain the outside of the house. This is a dangerous situation and is inefficient. Frequently check your stove and adjust the slider/damper as needed to ensure proper combustion. See "Slider/Damper Setting".

**CLEANING:** There will be some build up of fly ash and small amounts of creosote in the exhaust. This will vary due to the ash content of the fuel used and the operation of the stove. It is advisable to inspect and clean the exhaust vent semi-annually or every two tons of pellets.

**ELECTRICAL:** The use of a surge protected power bar is recommended. The unit must be grounded. The grounded electrical cord should be connected to a standard 115 volts (4.6 Amps), 60 hertz electrical outlet. Be careful that the electrical cord is not trapped under the appliance and that it is clear of any hot surfaces or sharp edges and also must be accessible. If this power cord should become damaged, a replacement power cord must be purchased from a Greenfire dealer. This unit's maximum power requirement is 520 watts.

**GLASS:** Do not abuse the glass by striking or slamming the door. Do not attempt to operate the stove with broken glass. The stove uses ceramic glass. Replacement glass must be purchased from a Greenfire dealer. Do not attempt to open the door and clean the glass while the unit is in operation or if glass is hot. To clean the glass, use a soft cotton cloth and mild window cleaner, gas or wood stove glass cleaner, or take a damp paper towel and dip into the fly ash. This is a very mild abrasive and will not damage the glass.

**FLAMMABLE LIQUIDS:** Never use gasoline, gasoline-type lantern fuel, kerosene, charcoal lighter fluid, or similar liquids to start or "freshen up" a fire in the heater. Keep all such liquids well away from the heater while it is in use.

**SMOKE DETECTOR:** Smoke detectors should be installed and maintained in the structure when installing and operating a pellet burning appliance.

**OPERATION:** The ash pan and door must be closed securely for proper and safe operation of the pellet stove. Also ensure all gaskets on the door are checked and replaced when necessary.

**INSTALLATION:** Be sure to maintain the structural integrity of your home when passing a vent through walls, ceilings, or roofs. It is recommended that the unit be secured into its position in order to avoid any displacement.

**DO NOT INSTALL A FLUE DAMPER IN THE EXHAUST VENTING SYSTEM OF THIS UNIT.**

**DO NOT CONNECT THIS UNIT TO A CHIMNEY FLUE SERVING ANOTHER APPLIANCE.**

**FRESH AIR:** Outside Fresh Air connection is optional. Must be connected to all units installed in Mobile and "Air Tight Homes" (R2000) or where required by local codes. Consider all large air moving devices when installing your unit and provide room air accordingly. Limited air for combustion may result in poor performance, smoking and other side effects of poor combustion.

If you have any questions with regards to your stove or the above-mentioned information, please feel free to contact your Greenfire dealer for further clarification and comments.

**SINCE FPI HAS NO CONTROL OVER THE INSTALLATION OF YOUR STOVE, FPI GRANTS NO WARRANTY IMPLIED OR STATED FOR THE INSTALLATION OR MAINTENANCE OF YOUR STOVE. THEREFORE, FPI ASSUMES NO RESPONSIBILITY FOR ANY CONSEQUENTIAL DAMAGE(S).**

# INSTALLATION

## REMOVING PELLET STOVE FROM PALLET

To remove your new stove from its pallet, remove the two (2) screws securing the bottom to the pallet.

### Freestanding:

One screw can be easily seen from behind but to access the second screw the ashpan must be removed. See figure 1.

### Fireplace Insert:

There is one screw on either side of the bottom. See figure 2.

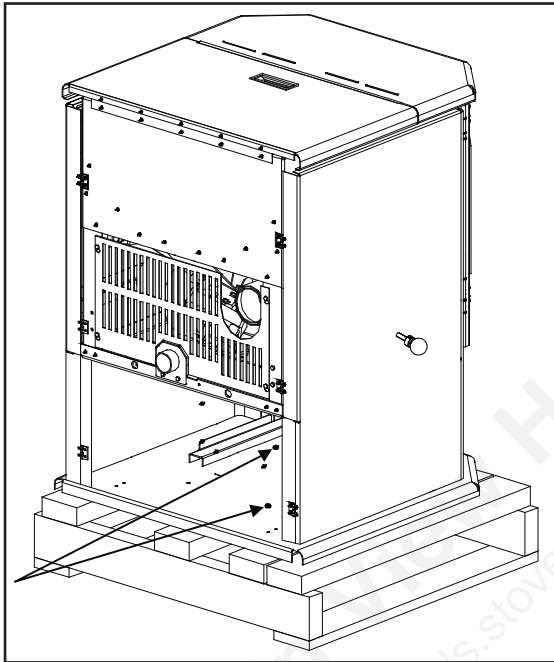


Figure 1: Removing GF55 From Pallet.

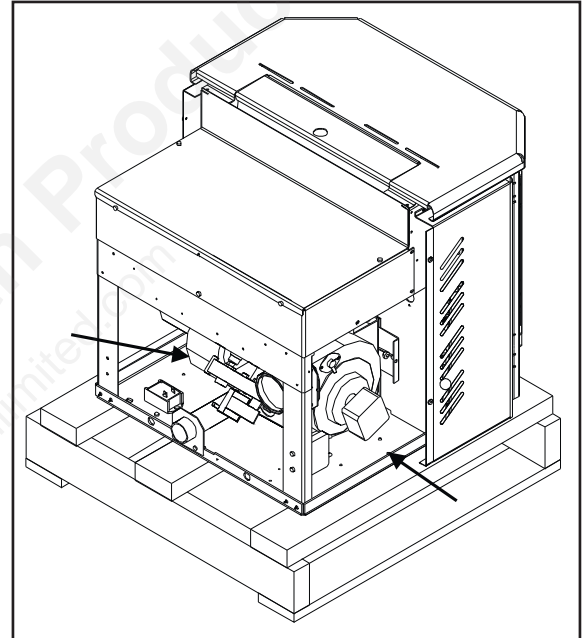


Figure 2: Removing GFI55 From Pallet.

## OPENING THE DOOR

The door lever can be found in behind the right side of the door frame. To open the door, pivot the lever outwards and upwards until it unlocks.

## LOCATING THE PELLET APPLIANCE

1. Check clearances to combustibles. See "Clearance to Combustibles" section.
2. Do not obtain combustion air from an attic, garage or any unventilated space if enough air is available. Combustion air may be obtained from a ventilated crawlspace.
3. Do not install the stove in a bedroom.
4. You can vent the stove through an exterior wall behind the unit or connect it to an existing masonry or metal chimney (must be lined if the chimney is over 6" (15 cm) diameter, or over 28 inches<sup>2</sup> (180 cm<sup>2</sup>) cross sectional area). An interior vent can be used with approved pipe passing through the ceiling and roof.
5. Locate the stove in a large and open room that is centrally located in the house. This will optimize heat circulation.
6. The power cord is 8 feet (2.43 m) long and may require a grounded extension cord to reach the nearest electrical outlet.

## GF55 FREESTANDING PELLET STOVE

### CLEARANCES TO COMBUSTIBLES

These dimensions are minimum clearances to combustibles, however it is highly recommended that you leave sufficient room on each side (20" where possible) for servicing, routine cleaning and maintenance.

This pellet stove requires floor protection. The floor protection must be non-combustible, extending 6" (150mm) beyond the full width and depth of the unit including 6" (150 mm) in front for ember protection.

#### Floor Protection:

Width 36-7/16" (934mm)  
Depth 36" (914mm)

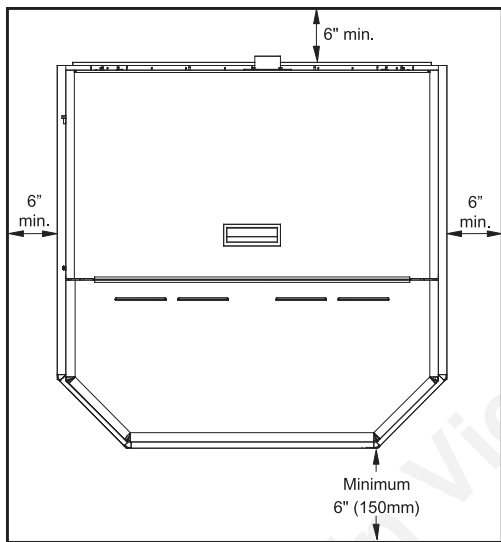


Figure 3: Floor Protection.

### ALCOVE CLEARANCES

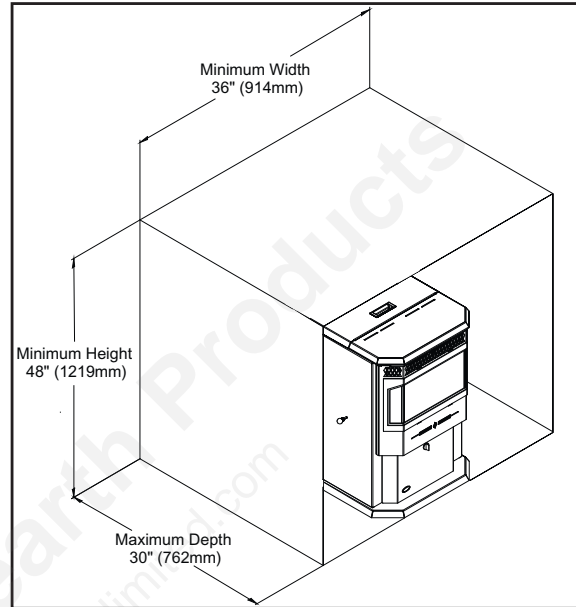


Figure 5: Alcove Clearances.

### MOBILE HOME INSTALLATION

- Secure the heater to the floor using the holes in the pedestal of the appliance.
- Ensure the unit is electrically grounded to the chassis of your home (permanently).

**WARNING:** Do not install in a room people sleep in.

**CAUTION:** The structural integrity of the manufactured home floor, wall and ceiling/roof must be maintained

- Outside fresh air is mandatory. Secure outside air connections directly to fresh air intake pipe and secure with three (3) screws evenly spaced.

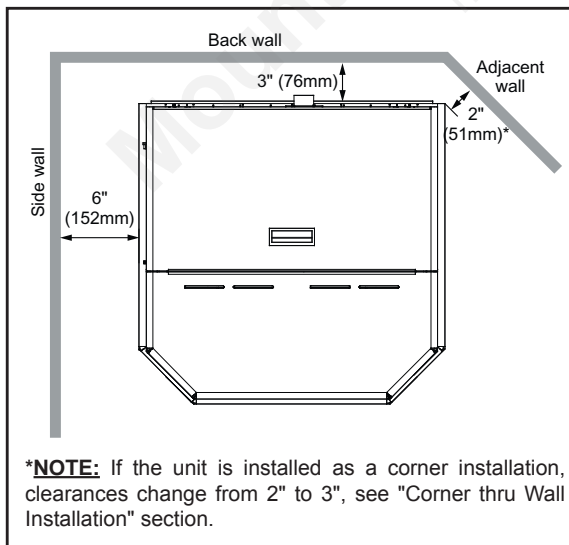


Figure 4: Minimum Clearances to Combustibles.

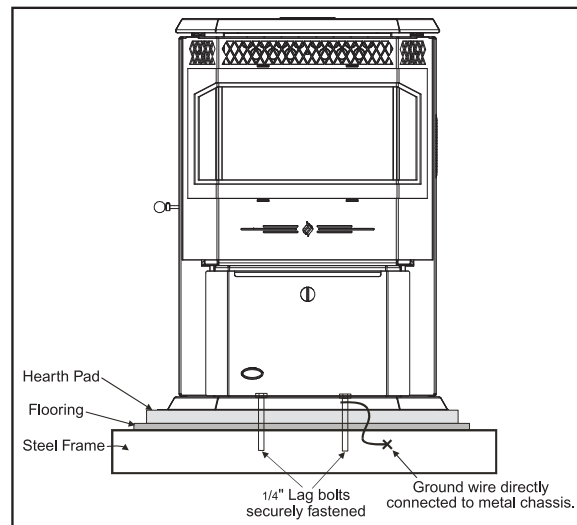


Figure 6: Mobile Home Install Mounting.

## VENT TERMINATION REQUIREMENTS

Letter	Minimum Clearance	Description
A	24 in (61 cm)	Above grass, top of plants, wood, or any other combustible materials.
B	48 in (122 cm)	From beside/below any door or window that may be opened. (18" [46cm] if outside fresh air installed).
C	12 in (30 cm)	From above any door or window that may be opened. (9" [23cm] if outside fresh air installed).
D	24 in (61 cm)	To any adjacent building, fences and protruding parts of the structure.
E	24 in (61 cm)	Below any eave or roof overhang
F	12 in (30 cm)	To outside corner.
G	12 in (30 cm)	To inside corner, combustible wall (vertical and horizontal terminations).
H	3 ft (91 cm) within a height of 15 ft (4.5 m) above the meter/regulator assembly	To each side of center line extended above natural gas or propane meter/regulator assembly or mechanical vent.
I	3 ft (91 cm)	From any forced air intake of other appliance
J	12 in (30 cm)	Clearance to non-mechanical air supply inlet to building, or the combustion air inlet to any appliance.
K	24 in (61 cm)	Clearance above roof line for vertical terminations.
L	7 ft (2.13 m)	Clearance above paved sidewalk or paved driveway located on public property.

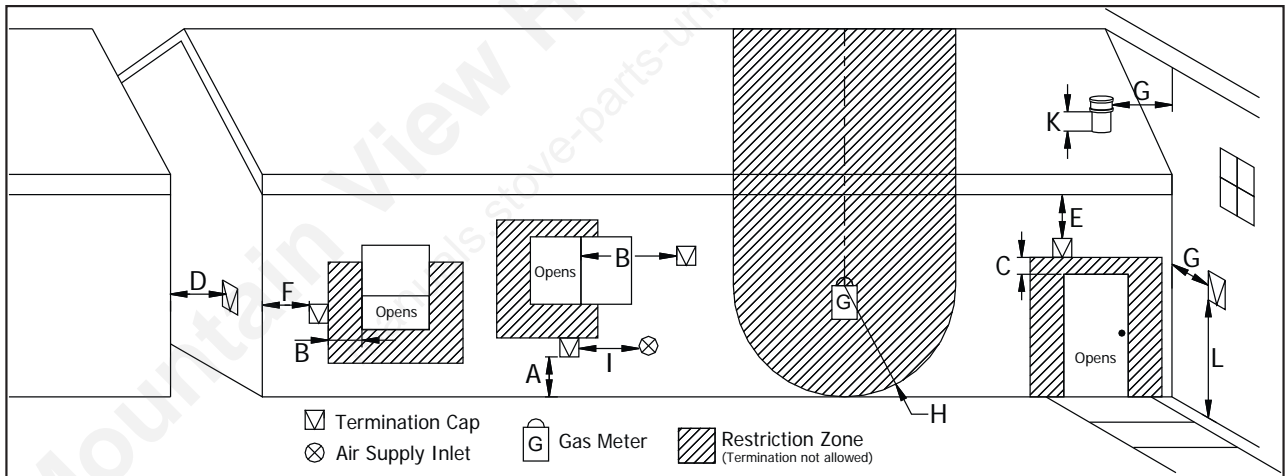


Figure 7: Allowable exterior vent termination locations.

- Do not terminate the vent in any enclosed or semi-enclosed areas such as a carport, garage, attic, crawlspace, narrow walkway, closely fenced area, under a sundeck or porch, or any location that can build up a concentration of fumes such as stairwells, covered breezeway, etc.
- Vent surfaces can become hot enough to cause burns if touched by children. Non-combustible shielding or guards may be required.
- Termination must exhaust above the inlet elevation. It is recommended that at least five feet of vertical pipe be installed outside when the appliance is vented directly through a wall, to create some natural draft to prevent the possibility of smoke or odor during appliance shut down or power failure. This will keep exhaust from causing a nuisance or hazard from exposing people or shrubs to high temperatures. In any case, the safest and preferred venting method is to extend the vent through the roof vertically.
- Distance from the bottom of the termination and grade is 12" (30 cm) minimum. This is conditional upon the plants and nature of grade surface. The exhaust gases are hot enough to ignite grass, plants and shrubs located in the vicinity of termination. The grade surface must not be lawn.
- If the unit is incorrectly vented or the air to fuel mixture is out of balance, a slight discoloration of the exterior of the house might occur. Since these factors are beyond the control of FPI, we grant no guarantee against such incidents.

**NOTE: Venting terminals shall not be recessed into walls or siding.**

## EXHAUST AND FRESH AIR INTAKE LOCATION

EXHAUST:	
Base of unit to center of flue	20-5/16" (508mm)
Side of unit to center of flue	6-11/16" (170mm)
Center of unit to center of flue	5-3/4" (146mm)
FRESH AIR INTAKE:	
Base of unit to center of intake	14-5/8" (356mm)
Side of unit to center of intake	11-7/16" (291mm)
Center of unit to center of intake	1" (25mm)

INSTALL VENT AT CLEARANCES SPECIFIED BY THE VENTING MANUFACTURER.

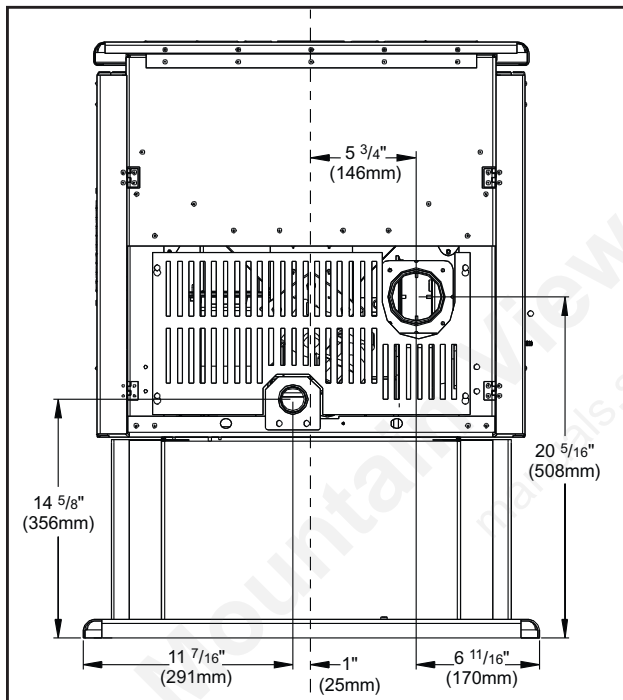


Figure 8: Freestanding Inlet and Outlet Location.

## OUTSIDE FRESH AIR CONNECTION

Outside fresh air is mandatory when installing this unit in airtight homes and mobile homes.

**A Fresh-air intake is strongly recommended for all installations.** Failure to install intake air may result in improper combustion as well as the unit smoking during power failures.

When connecting to an outside fresh air source, do not use plastic or combustible pipe. A 2" minimum (51 mm) ID (inside diameter) steel, aluminum or copper pipe should be used. It is recommended, when you are installing a fresh air system, to keep the number of bends in the pipe to a minimum.

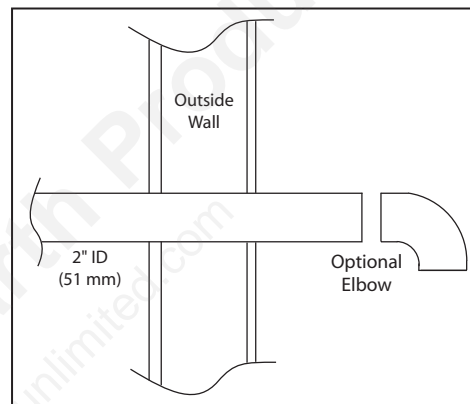


Figure 9: Outside Air Connection.

## CORNER THROUGH WALL INSTALLATION

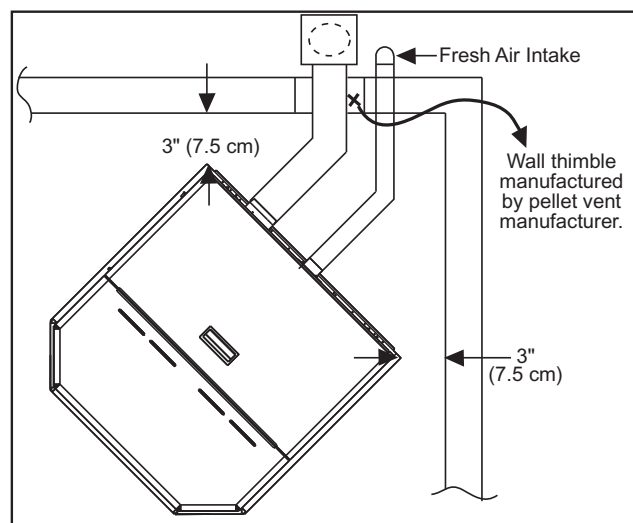


Figure 10: Corner Installation.

# INSTALLATION

## HORIZONTAL EXHAUST THROUGH WALL INSTALLATION

**Vent installation:** install vent at clearances specified by the vent manufacturer.

A chimney connector shall not pass through an attic or roof space, closet or similar concealed spaces, or a floor, or ceiling. Where passage through a wall or partition of combustible construction is desired, the installation shall conform to CAN/CSA-B365 Installation Code for Solid-Fuel-Burning Appliances and Equipment. Only use venting of L or PL type with an inside diameter of 3 or 4 inches (7.6 or 10.1 cm).

1. Choose a location for your stove that meets the requirements stated in this manual and allows installation with the least amount of interference to house framing, plumbing, wiring, etc.
2. Install a non-combustible hearth pad (where necessary).
3. Place the appliance 15" (37.5 cm) away from the wall. If the stove is to be set on a hearth pad, set the unit on it.
4. Locate the center of the exhaust pipe on the stove. Extend that line to the wall. Once you have located the center point on the wall, refer to pellet vent manufacturer installation instructions for correct hole size and clearance to combustibles.
5. Install the wall thimble as per the instructions written on the thimble. Maintain an effective vapour barrier in accordance with local building codes.
6. Install a length of 3" (76 mm) or 4" (101 mm) vent pipe into the wall thimble. The pipe should install easily into the thimble.
7. Install the fresh air intake. See "Outside Fresh Air Connection" section.
8. Connect the exhaust vent pipe to the exhaust pipe on the stove. Seal the connection with high temperature silicone.
9. Push the stove straight back, leaving a minimum of 3" (8 cm) clearance from the back of the stove to the wall. Seal the vent pipe to the thimble with high temperature silicone.
10. The pipe must extend at least 12" (30 cm) away from the building. If necessary, bring another length of pipe (PL type) to the outside of the home to connect to the first section. Do not forget to place high temperature silicone around the pipe that passes through the thimble.
11. Install a vertical pipe, or if all requirements for direct venting are met, install vent termination. The stainless steel cap termination manufactured by the vent manufacturer is recommended. However, when the vent terminates several feet above ground level and there are no trees, plants, etc. within several feet, a 45° elbow can be used as termination. The elbow must be turned down to prevent rain from entering.

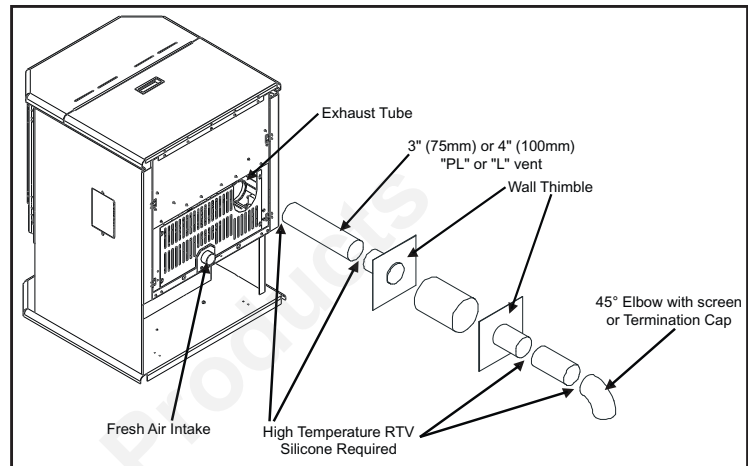


Figure 11: Straight through wall Installation.

**NOTE:**

- Some horizontal through wall installations may require a "T" and 3 to 5 feet (91 to 152 cm) of vertical pipe outside the building to help naturally draft in the unit.
- This may be required if a proper burn cannot be maintained, after the stove has been tested and the airflow set.
- This is due to the back pressure in the exhaust caused by airflow around the structure.
- All sections of pipe must have three (3) screws evenly spaced and all horizontal and vertical vent sections located within the house must have a bead of high temperature silicone installed on the male end of the pipe before installation to create a gas tight seal.
- The termination must be 12 inches (30 cm) from the outside wall and 12 inches (30 cm) above the ground.
- A 45° elbow may be used in place of the termination cap (or stainless steel termination hood).

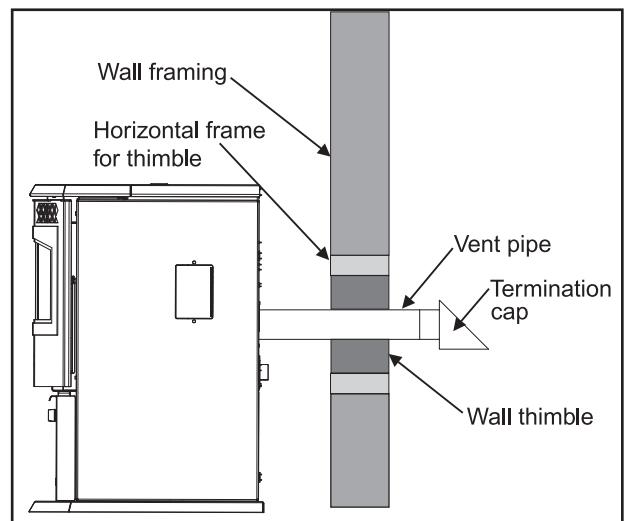


Figure 12: Straight through Wall Installation - Side View.

## VERTICAL RISE WITH HORIZONTAL TERMINATION INSTALLATION

A 45° elbow may be used in place of the termination cap (or stainless steel termination hood).

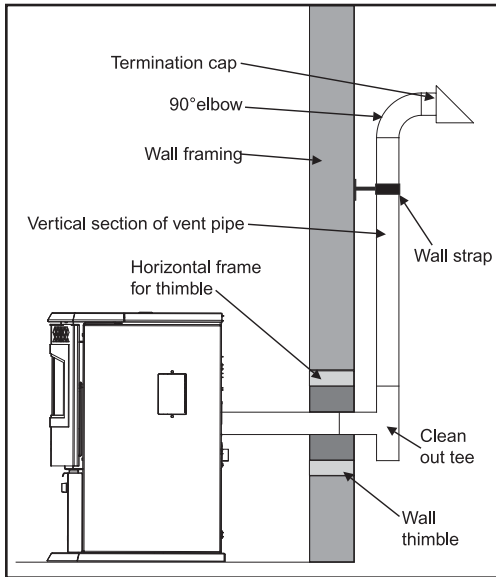


Figure 13: Through Wall with Horizontal Termination.

## THROUGH CONCRETE WALL WITH VERTICAL RISE INSTALLATION

A 45° elbow may be used in place of the termination cap (or stainless steel termination hood).

This is the recommended installation to use if there is a concrete or retaining wall in line with exhaust vent on pellet stove.

The termination must be 12 inches (30 cm) from the outside wall and 12 inches (30 cm) above the ground.

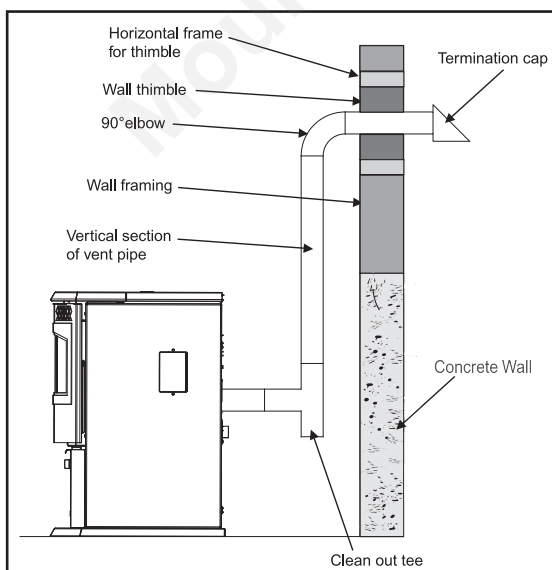


Figure 14: Vertical rise with Horizontal Termination.

## INSIDE VERTICAL INSTALLATIONS

1. Choose a stove location that is ideal. Refer to "Locating Your Pellet Appliance" section.
2. Place the unit on the hearth pad (if installed on a carpeted surface) and space the unit in a manner so when the pellet vent is installed vertically, it will be 3" (76 mm) away from a combustible wall.
3. Locate the center of the fresh air intake pipe on the unit. Match that center with the same point on the wall and cut a hole about 2" (51 mm) in diameter.
4. Install the fresh air intake pipe.
5. Install the tee with clean out.
6. Install the pellet vent upward from there. When you reach the ceiling, make sure that the vent goes through the ceiling fire stop. Maintain a 3" (76 mm) distance to combustibles and keep attic insulation away from the vent pipe. Maintain an effective vapor barrier.
7. Finally, extend the pellet vent to go through the roof flashing.
8. Ensure that the rain cap is at least 24" (610 mm) above the roof at the shortest side of the vent.

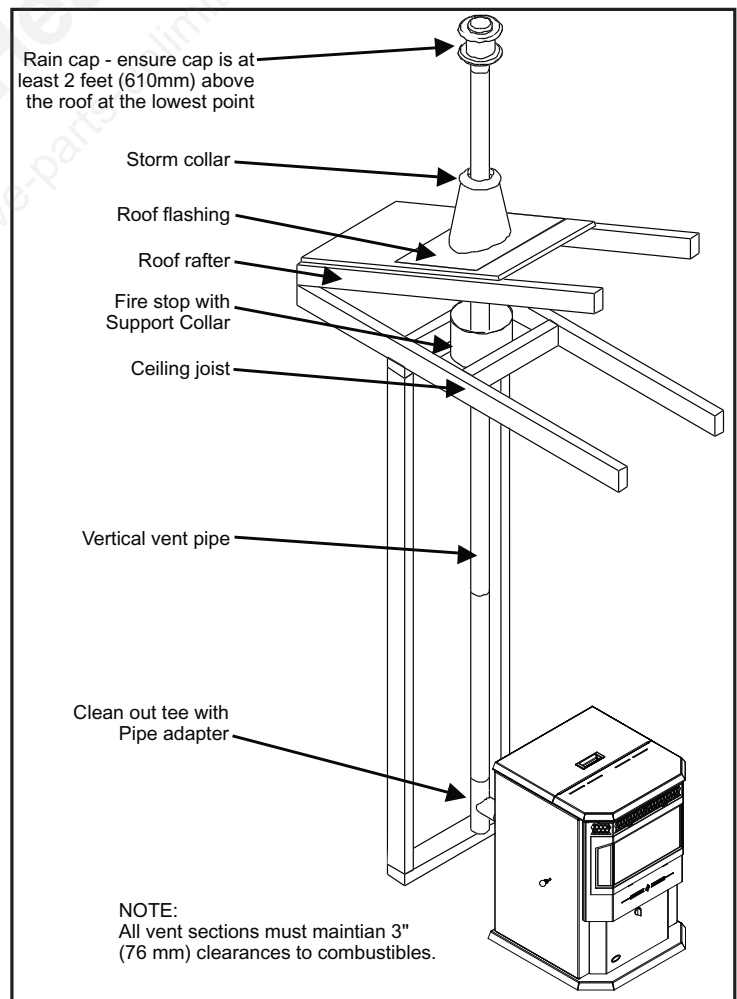


Figure 15: Inside Vertical Installation.

# INSTALLATION

## OUTSIDE VERTICAL INSTALLATIONS

To accomplish a outside vertical pipe installation, follow steps 1 through 5 in the "Inside Vertical Installation" section and then finish it by performing the following (refer to Figure 16).

1. Install a tee with clean out on the outside of the house.
2. Install PL vent upward from the tee. Make sure that you install support brackets to keep the vent straight and secure.
3. Install ceiling thimble and secure the flashing as you go through the roof.
4. Ensure that the rain cap is approximately 24" (610 mm) above the roof.

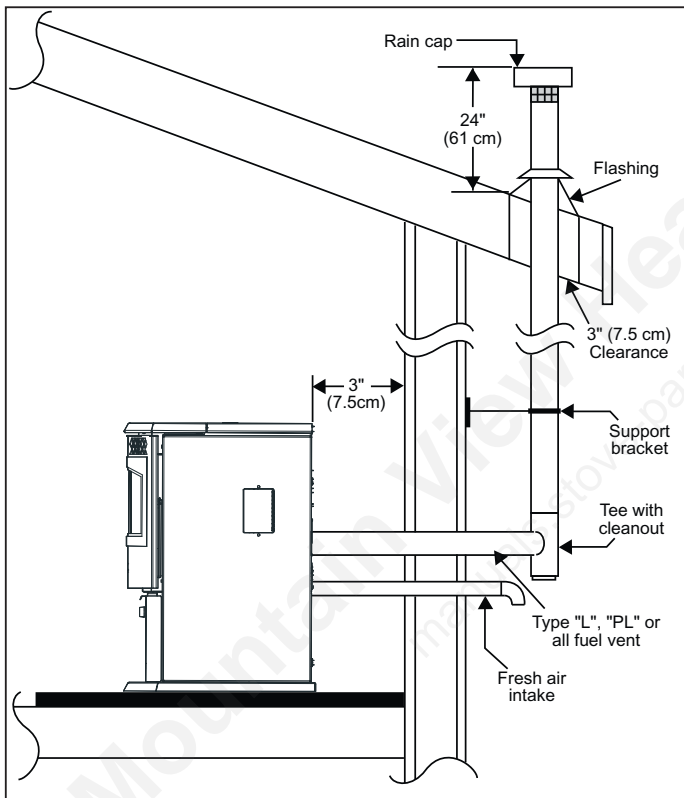


Figure 16: Outside Vertical Installation.

## HEARTH MOUNT INSTALLATION

1. Lock fireplace damper in the open position.
2. Install a positive flue connector at the fireplace dampers.
3. Connect a clean-out tee or a 90° elbow to the exhaust pipe.
4. Install flexible stainless steel liner or listed pellet vent to the top of the chimney.

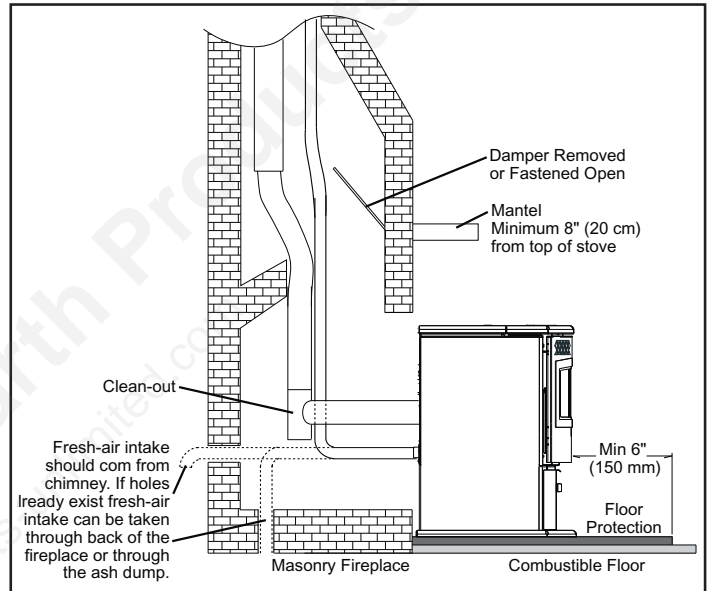


Figure 17: Hearth Mount - Side View.

## GFI55 PELLET INSERT

### CLEARANCES TO COMBUSTIBLES

The fireplace insert is certified to be installed into a masonry fireplace only and/or zero clearance wood burning factory built fireplace where allowed by local codes. This model includes a surround faceplate and a pedestal. When installing this unit, ensure that the pedestal is removed from the inside of the hopper and installed on the bottom of the unit.

From the body of the heater to the:

Side Wall	8" (203mm) minimum
Facing on Masonry Fireplace:	8" (203mm) minimum
8" (203mm) mantle:	8" (203mm) minimum

### FIREPLACE SPECIFICATIONS

Your fireplace opening requires the following minimum sizes:	
Height 55 lbs hopper (standard) 42 lbs hopper (adjusted)	22.75" (578mm) 19.5" (495mm)
Width	26" (660mm)
Depth	15" (381mm)

### INSTALLATION OF PEDESTAL AND LEVELING LEGS

There are two parts to the GFI55 insert pedestal and they can be found inside the hopper. Place unit on its back. Two (2) hex head screws are used on each side of the pedestal (refer to Figure 22). Using a  $\frac{5}{16}$ " wrench or socket, secure the pedestal to the bottom of the unit.

#### OPTIONAL:

There are two (2) leveling legs and they can be found inside the manual bag. Each leveling leg consists of a long bolt, a hex nut, a washer, and a square bolt with clip (see Figure 23). For installation of the leveling legs the unit should be on its back and a  $\frac{1}{2}$ " wrench is required for adjustments.

Install the square bolts into the square holes in the back corners of the bottom. The square bolt should be inserted from inside the unit so that the clip will be facing up.

Thread hex nut onto the bolt till it is approximately 1" (25 mm) from the bolt head, slide washer onto bolt. Thread the bolt into the square nut so length of the bolt shown is the approximately height needed for leveling. When the unit is up right and the bolts can be adjusted to the exact height required. To lock the bolts at a height tighten the hex nut and washer against the square bolt

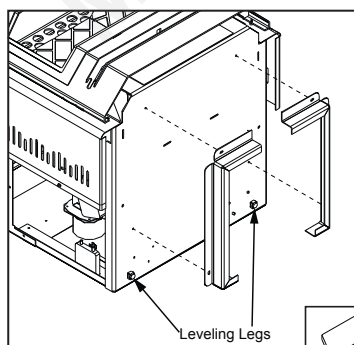


Figure 22: Installing Pedestal.

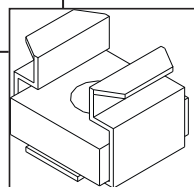


Figure 23: Square Bolt.

### INSTALLING HOPPER COVER AND ADJUSTING HOPPER HEIGHT

The hopper cover initially comes **upside-down on top of the hopper**. To install the hopper cover flip the cover over and fasten in place with four T-20 screws (see Figure 24).

The back height of this unit can be set to one (1) of three (3) heights; 19½" (495 mm), 21½" (537 mm), 22¼" (565 mm). The hopper should be set to the maximum height that can be used in the installation.

To change the height of the hopper back up or down, remove the seven (7) T-20 screws, three (3) on each side and one (1) on the back. The screw placement is shown Figure 25. Move the hopper assembly to the required setting and replace the screws. When the hopper back is in place it is recommended that silicone is used to seal the bottom lip of the hopper back and sides.

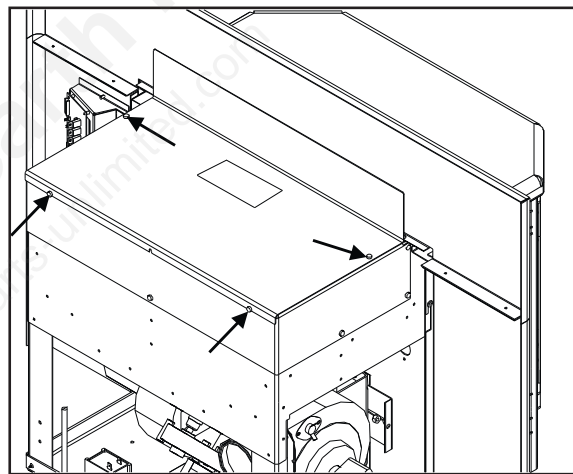


Figure 24: Hopper Cover Screw Placement.

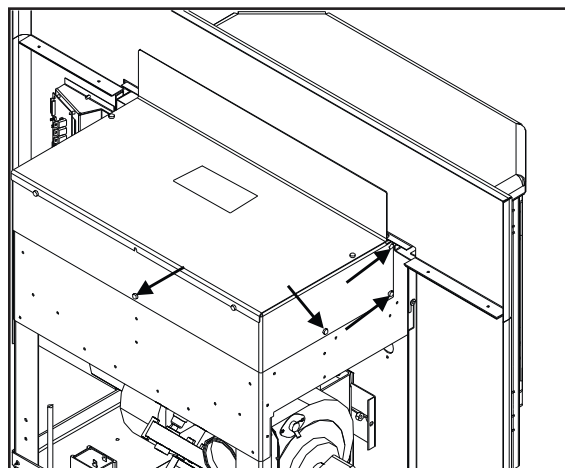


Figure 25: Hopper Extension Screw Placement.

# INSTALLATION

## EXHAUST AND FRESH AIR INTAKE LOCATION

EXHAUST:	
Base of unit to center of flue	9-1/16" (229mm)
Side of unit to center of flue	6-1/8" (156mm)
Center of unit to center of flue	5-3/4" (146mm)
FRESH AIR INTAKE:	
Base of unit to center of intake	3-7/16" (87mm)
Side of unit to center of intake	10-7/8" (277mm)
Center of unit to center of intake	1" (25mm)

INSTALL VENT AT CLEARANCES SPECIFIED BY THE VENTING MANUFACTURER.

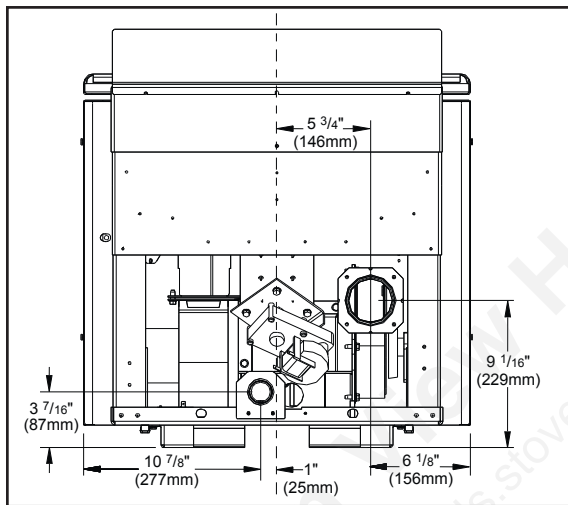


Figure 26: Insert Inlet and Outlet Location.

## OUTSIDE FRESH AIR CONNECTION

Outside fresh air is mandatory when installing this unit in airtight homes and mobile homes.

**A Fresh-air intake is strongly recommended for all installations.**

Failure to install intake air may result in improper combustion as well as the unit smoking during power failures.

When connecting to an outside fresh air source, do not use plastic or combustible pipe. A 2" minimum (51 mm) ID (inside diameter) steel, aluminum or copper pipe should be used. It is recommended, when you are installing a fresh air system, to keep the number of bends in the pipe to a minimum.

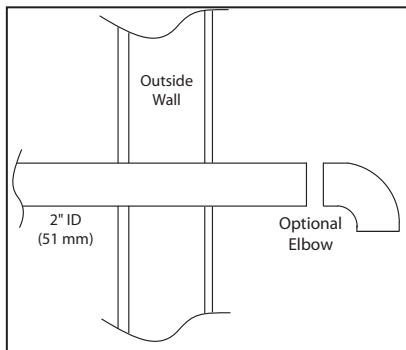


Figure 27: Outside Air Connection.

## MASONRY FIREPLACE INSERT INSTALLATION

The GFI55 requires a surround faceplate and a pedestal. When installing this unit, ensure that the pedestal is removed from the inside of the hopper and installed on the bottom of the unit. Refer to "Installation of Pedestal and Leveling Legs".

Adjust hopper height - refer to "Installing Hopper Cover and Adjusting Hopper Height" and assemble surround panel. See "Installation and Removal on Control Panel in the Surround Panel" and "Assembly and Installation of Insert Surround Panels" before starting installation.

A non-combustible hearth pad must cover combustible flooring underneath, as well as 6" (150 mm) in front of the heater and 6" (150 mm) to the side of the heater.

1. Install the hearth pad, if required.
2. Lock the fireplace damper in the open position.
3. Install a positive flue connector at the fireplace damper.
4. Connect a tee or 90° degree elbow to the exhaust pipe.
5. This fireplace insert must be installed with a continuous chimney liner of 3 or 4" diameter extending from the fireplace insert to the top of the chimney. The liner must conform to type 3 requirements of CAN/ULC S635. For lengths below 25' use 3" and increase to 4" if longer.
6. (Recommended) Install fresh air intake either through the back of the fireplace or through the positive flue connector.

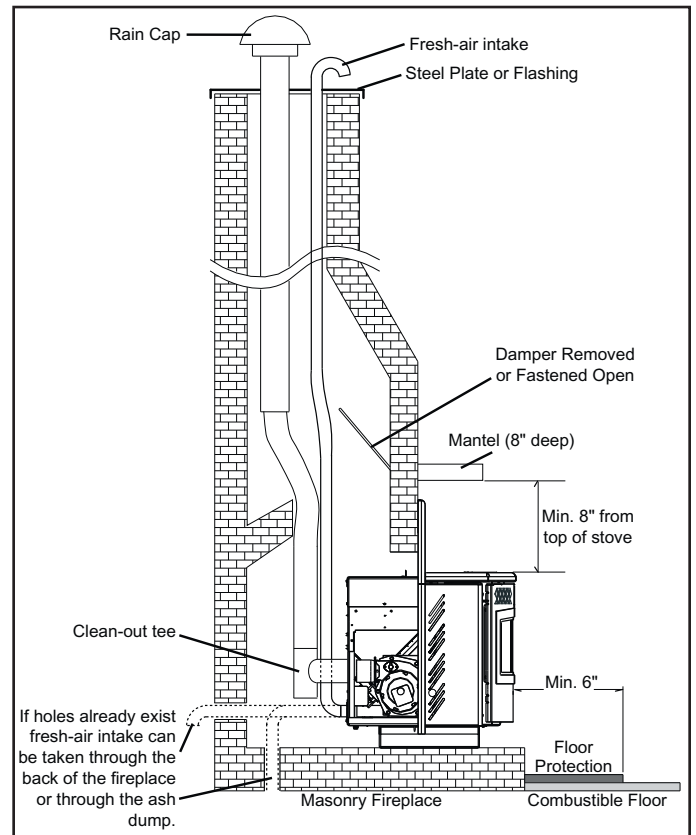


Figure 28: Installation of Fireplace Insert.

When installing the insert into a masonry fireplace DO NOT remove any bricks or masonry, with the following exception; masonry or steel, including the damper plate, may be removed from the smoke shelf and adjacent damper frame if necessary to accommodate a chimney liner. Provided that their removal will not weaken the structure of the fireplace and chimney, and will not reduce protection for combustible materials to less than that required by the national building code.

When installing the fireplace insert into a zero clearance fireplace, where allowed by local codes, DO NOT cut or modify any factory firebox parts. If the fireplace insert does not fit into a zero clearance fireplace we recommend you use an Greenfire freestanding model and install as a hearth mounted unit. Install a 3" (76 mm) flex pipe from the stove to the top of the chimney. Refer to "Hearth Mount Installation".

## POSITIVE FLUE CONNECTION WITHOUT A FULL RELINE (USA ONLY)

This unit does not require a full reline (in USA only) when installing into a masonry fireplace, however, it is recommended to ensure proper drafting of the appliance. This type of application is not recommended.

**IMPORTANT:** Ensure the chimney and firebox are cleaned and free of all debris, including soot and ashes, before proceeding with this installation. If it is not clean soot may be blown into the room through the unit's blower. Ensure the fireplace and chimney have not deteriorated in any way. If there is any sign of corrosion or damage in the chimney the unit can not be installed. This unit can be installing in a masonry fireplace built to (UBC 37 or ULC S628 standards) or a factory built fireplace (built to UL 127 or ULC S610 standards).

1. Install the hearth pad. The floor 6" (150 mm) in front of the unit and 6" (150 mm) to each side of the unit must be protected with a non-combustible hearth pad.
2. The vent connector from the insert must extend a minimum of 18" above the chimney seal plate. The chimney seal plate area must be sealed to prevent the exhaust from the chimney from coming back into the fireplace and prevent air from the fireplace from entering the chimney which will affect proper drafting of appliance.

A qualified installer should evaluate the existing fireplace to determine the best method for achieving a positive flue connection between the vent pipe or liner and the chimney. Whatever method used must effectively seal the area to prevent room air passage to the chimney cavity of the fireplace. A couple examples of Approved Methods of Achieving a Positive Flue Connection are:

- a) Secure a seal-off plate (i.e. 22-gage sheet steel) in the masonry fireplace throat using masonry screws.
- b) Pack non-combustible material (i.e. rockwool) around the vent pipe and using a flue adapter.

3. Set leveling leg to approximate height.

**IMPORTANT:** The chimney seal plate must be removed for the annually chimney cleaning as ash will build up on top of the plate.

Be aware that this type of application may have a negative effect on performance not covered under warranty.

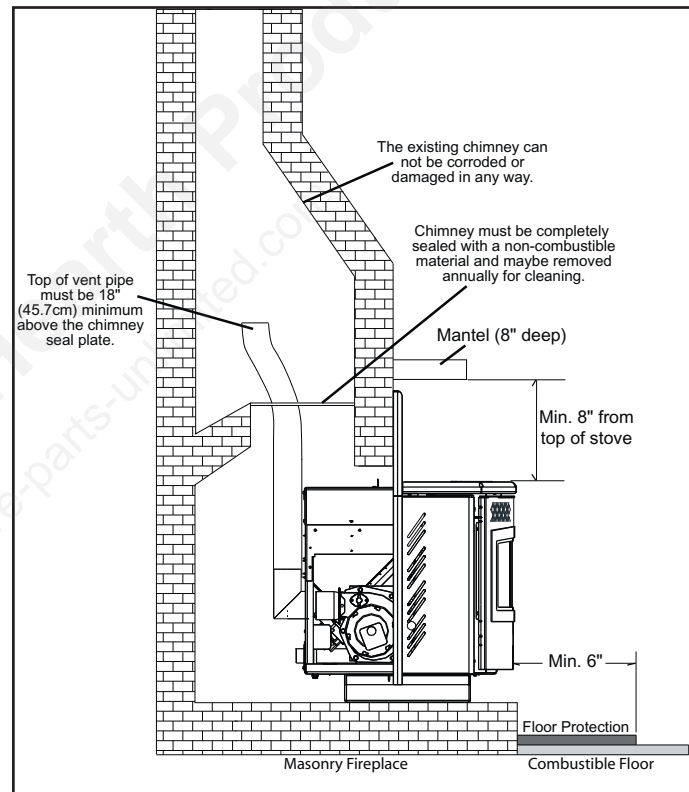


Figure 29: Masonry fireplace positive flue installation.

# INSTALLATION

## INSTALLATION AND REMOVAL OF CONTROL PANEL IN THE SURROUND PANEL

When installing the circuit board control panel into the surround panel, the surround does not need to be assembled. The circuit board will be found in the firebox.

Place the circuit board control panel on the backside of the right surround panel so the hinge is on the outside and the top and bottom holes on the control panel line up with those on the surround. Attach using two (2) T-20 screws through the front of the surround into the circuit board control panel (see Figure 30).

After the surround has been assembled and is ready to be installed on the unit plug the wiring harness into the control panel (see Figure 31).

### REMOVAL:

When maintenance is required on the unit the surround must be removed. Pull the surround straight up till it stops then pull it out about 4" (10 cm) and rest the surround on top of the unit while the control panel is removed or disconnected.

If electrical connection is required for the maintenance remove the circuit board control panel from the surround.

If electrical connection is not required for the maintenance remove the wiring harness from the bottom of the circuit board control.

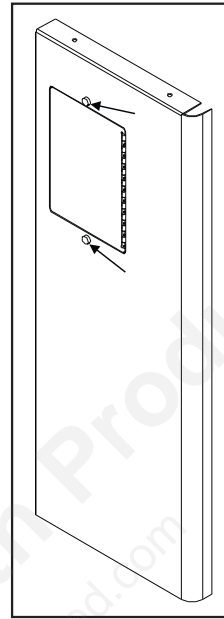


Figure 30: Right Panel - Front.

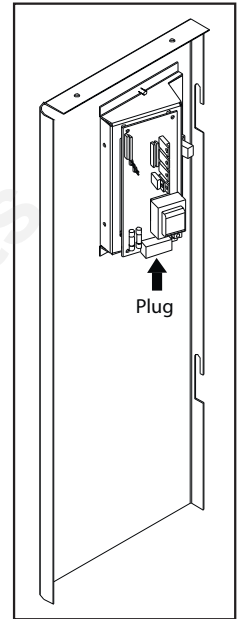


Figure 31: Right Panel - Back.

## ASSEMBLY AND INSTALLATION OF INSERT SURROUND PANELS

The trim set for your surround panel must be installed before installing the surround panel onto the unit, if not already done.

1. To assemble the surround panels, lay the panels face down on a soft flat surface and align the outer edges of the sides with the top panel. Using four (4) T-20 screws up through the side panels into the top (see Figure 32).

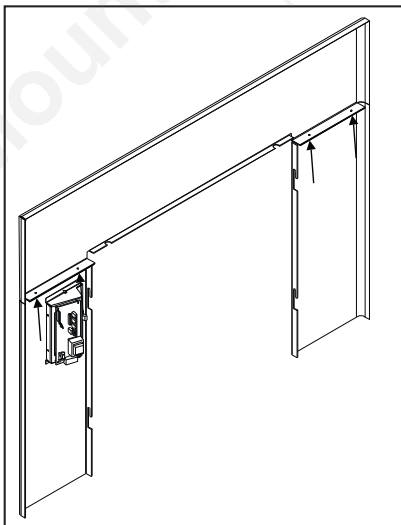


Figure 32: Assembled Surround Panel.

2. Place the assembled surround panel around the stove; align the slots with the screw heads. Push surround in then down to engage the surround slots on the mounting screws (see Figure 33). Make sure the top surround panel sits flat behind the stove top.

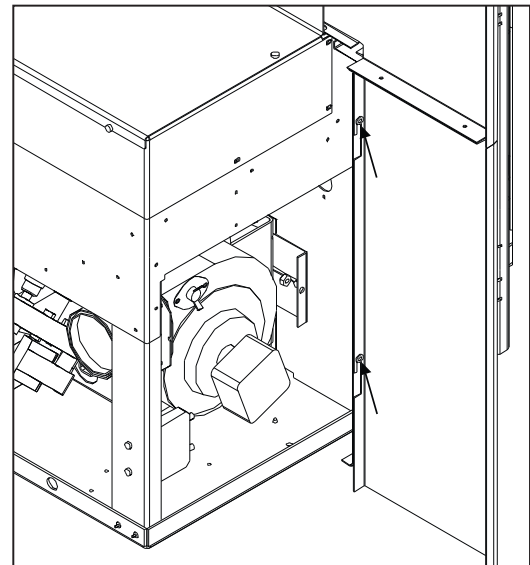


Figure 33: Installed Surround Panel.

## PLATED DOOR INSTALLATION

**TO AVOID PERSONAL INJURY DO NOT REMOVE OR REPLACE COVER WHEN PELLET STOVE IS HOT!**

### TOOLS REQUIRED:

- a) 11/32" socket

### REMOVAL OF DOOR COVER:

When stove is off and cool, open the door. Remove the four (4) #8 hex nuts around the inside of the glass retainer shown in Figure 37.

Remove door cover from door by gently sliding the studs out of the holes. If it is difficult to remove the cover, the glass retainer may be pinching the threads on the studs. Slightly loosen the four (4) screws (by each of the studs).

### REPLACEMENT OF DOOR COVER:

Slide new door cover into place and hand tighten the four (4) #8 hex nuts around the inside of the glass retainer. Ensure the four screws are also hand tight and close door. **Do not overtighten or you may break screws.**

**Clean all plated surfaces before starting the stove.** Refer to "Cleaning Plated Surfaces in Routine Cleaning and Maintenance in the Owner's Manual.

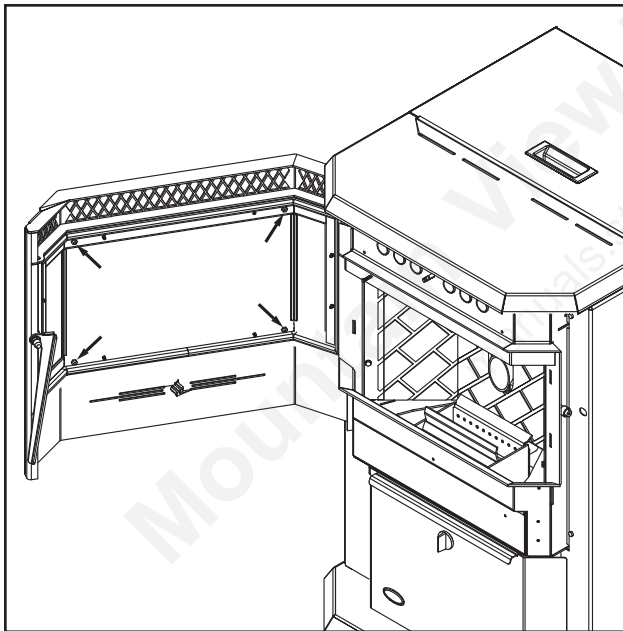


Figure 37: Inner side of door.

## THERMOSTAT INSTALLATION

1. Install the thermostat by connecting a low voltage millivolt thermostat to the circuit board jumper location shown below. Connect 2 x 18 gauge wires from the connection points on the back of the control board to the thermostat (see figure 38).
2. Choose a location for the thermostat, which will effectively heat the desired area. Do not install close to the unit, typical installation is 10ft - 20ft away in an open area (not hidden).
3. Review each of the three control switch positions with the consumer.

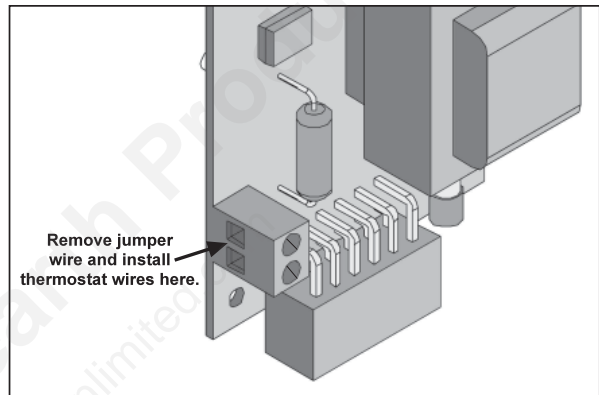


Figure 38: Thermostat wire placement.

## HOPPER GRATE INSTALLATION

**Important: This grate must be installed into the hopper prior to operating this appliance. For use on freestanding units only.**

1. Open hopper door
2. Install the grate ensuring that the four flanges on the grate is pointing downwards into the hopper as per the diagram.



Figure 1. Flanges must face down



Figure 2. Grate installed

# INSTALLATION

## SLIDER / DAMPER SET-UP

**THE SLIDER / DAMPER MUST BE SET AT TIME OF INSTALLATION, IT IS USED TO REGULATE THE AIRFLOW THROUGH THE PELLET STOVE.**

**A Qualified Service Technician or Installer must set the Slider Damper.**

The slider damper is used to regulate the airflow through the pellet stove and is located behind the left cab side (refer to Figure 39). The door must be open for the cab side to be removed on all models. On freestanding model loosen the two T-20 torx screws, one above and one below hinge, swing open left panel to access. On insert model remove the two (2) T-20 torx screws on the front, one above and one below hinge, and the one T-20 at the top of the cab side under the top front.

The combustion exhaust blower is a variable speed blower controlled by the heat output button. This blower will decrease the vacuum pressure inside the stove and as the heat output button is turned down. The vacuum pressure inside the firebox will increase as the combustion exhaust blower increases in speed (higher heat output setting).

If the fire should happen to go out and the heat output indicator has been set on the lowest setting, the Slider Damper should be pushed in slightly, decreasing the air in the firebox.

If, after long periods of burning, the fire builds up and overflows the burn pot or there is a build up of clinkers, this would be a sign that the pellet quality is poor, this requires more primary air, the slider damper must be pulled out to compensate. Pulling the slider damper out gives the fire more air.

The easiest way to make sure that an efficient flame is achieved is to understand the characteristics of the fire.

- A tall, lazy flame with dark orange tips requires more air – Open slider (pull out) slightly.
- A short, brisk flame, like a blowtorch, has too much air – Close slider (push in) slightly.
- If the flame is in the middle of these two characteristics with a bright yellow/orange, active flame with no black tips then the air is set for proper operation.

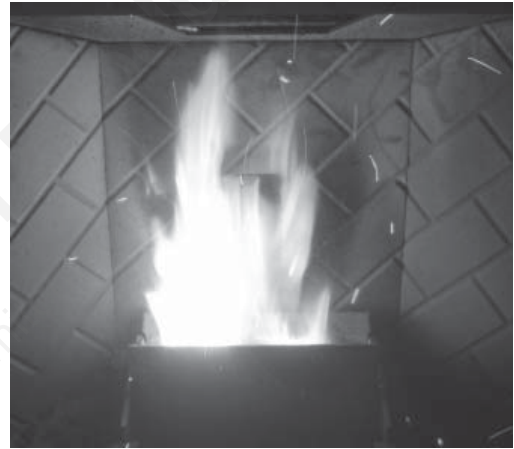


Figure 40: Efficient Flame.

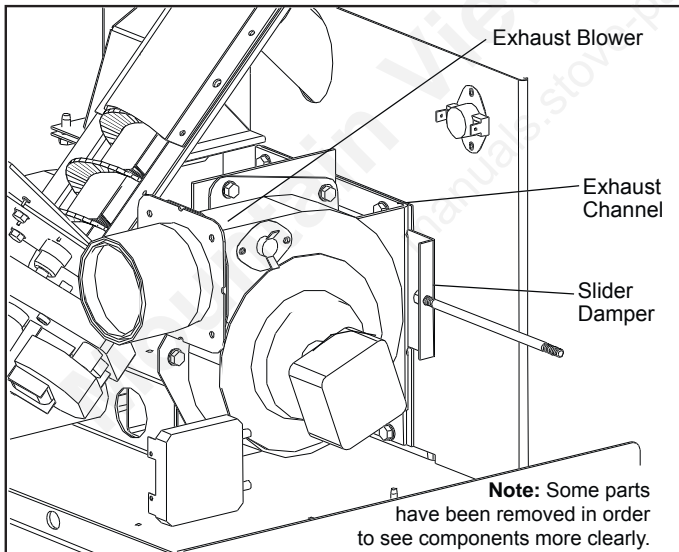


Figure 39: Slider / Damper

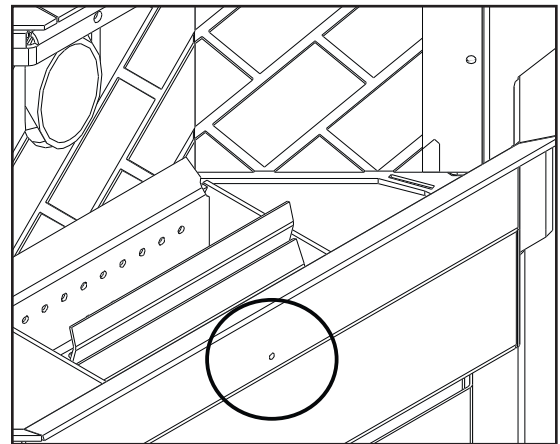


Figure 41: Hole for Pressure test with Magnehelic Gauge.

### SPECIAL NOTES:

Pellet quality is a major factor in how the Pellet stove will operate. If the pellets have a high moisture content or ash content the fire will be less efficient and has a higher possibility of the fire building up and creating clinkers (hard ash build-up).

Taking a reading of vacuum pressure inside the firebox with a magnehelic gauge can be used to set the slider for best combustion. The slider damper should be set only on a hot stove (operating for thirty (30) minutes or more) by placing a Magnehelic Pressure Gauge in the firebox. The reading can be taken from the 1/8" (3 mm) hole located in the front of the firebox under the door (see Figure 41). **The best settings are a reading of approximately 0.1" to 0.12" of water column on the high fire setting. Some fuels may require higher or lower settings.**

## TROUBLESHOOTING FAQ'S

### DO NOT:

- Service the stove with wet hands. The stove is an electrical appliance, which may pose a shock hazard if handled improperly. Only qualified technicians should deal with possible internal electrical failures.
- Do not attempt to remove or loosen any screws from inside the firebox without applying penetrating oil (ie. WD40) to any of the screws.

### WHAT TO DO IF:

1. The stove will not start.
2. The stove will not operate when hot.
3. The exhaust blower will not function normally.
4. Light # 2 on Heat output bar flashing.
5. Auger light flashes but auger motor does not turn at all
6. The 200 °F (93 °C) high limit temperature sensor has tripped.
7. The convection blower will not function normally.
8. Ignitor- the pellets will not light.
9. Control settings (Heat Level) has no effect on the fire.
10. The stove keeps going out.

**\*NOTE: All troubleshooting procedures should be carried out by qualified technicians or installers.**

### 1. The stove will not start.

- ✓ Make sure the stove is plugged in and the wall outlet is supplying power.
- ✓ If the Control Board has been placed in the ON /OFF thermostat mode, then turn the thermostat up to call for heat.
- ✓ Ensure the burn pot liner is correctly placed in the burn pot
- ✓ Check the Heat Level Indicator. - If the # 2 light is flashing (see the # 2 light is flashing)
- ✓ Check the fuse on the circuit board.
- ✓ If the unit still does not start, contact your local service dealer for service.

### 2. The stove will not operate when hot.

- ✓ Check the Heat Level Indicator if a fire is not detected, or if the fire has gone out **the #3 light will flash** because the Exhaust Temperature Sensor's contacts have opened.
- ✓ Check the hopper for fuel.
- ✓ Incorrect air damper setting. - Excessive air may consume the fire too quickly before the next drop of fuel, leaving completely unburned fuel in the burn pot liner. - Insufficient air will cause build up, further restricting the air flow through the Burn Pot Liner. This in turn will cause the fuel to burn cold and very slowly. Fuel may build up and smother the fire. In this case clean the burn pot. **(NOTE: unit may require a change to the vent system or installation of fresh air to correct Air to Fuel ratio problems).**
- ✓ Combustion Blower failure. - The Combustion Blower is not turning fast enough to generate the proper vacuum in the fire box. Visual Check – is the blower motor turning.
- ✓ Check the Exhaust Blower voltage across the blower wires ( $\geq 114$  V on #5 setting and  $\geq 82$  on #1 setting). – Replace the Circuit Board if the Voltage reading is less than 82 V. with a line voltage  $>115$  V AC.
- ✓ Check Vacuum levels in the exhaust channel by bypassing the Vacuum Switch, then remove the Vacuum hose from Vacuum Switch. Check exhaust vacuum readings by placing the open end of the Vacuum Hose on a Magnahelic Gauge (readings must be above .10" W.C. on low fire).  
If the motor fails to reach a 0.10" W.C. readings, then replace the Combustion Blower.
- ✓ Poor Quality Fuel – Insufficient energy in the fuel to produce enough heat to keep the stove burning or operational.
- ✓ Exhaust Temperature Sensor failure. – Bypass sensor located on Exhaust Blower if stove now operates properly, the unit may require cleaning or a new sensor. Contact your local dealer for service.
- ✓ Check the fuse on the circuit board.

### 3. The exhaust motor will not function normally.

- ✓ Open the left side access panel; check all connections against the wiring diagram.
- ✓ See "2. The stove will not operate when hot." section.

### 4. Light # 2 on Heat output bar flashing

(The Vacuum Switch contacts have opened for more than 15 sec.)

- ✓ Pinch, break or blockage in Vacuum Hose - Check hose for pinch points or damage, replace or re-route as required. Blow out Vacuum Hose
- ✓ Blocked Hose Barb on Exhaust Channel - Use a paper clip to clean out Hose Barb or remove the Vacuum Hose from the Vacuum Switch and blow into the hose to remove blockage.

# TROUBLESHOOTING

- ✓Blocked exhaust / venting system - Have stove and venting cleaned and inspected.
- ✓Severe negative pressure in area where unit is installed - Check the operation by opening a window, does this solve the problem? If it does, install fresh air intake to unit or room. Venting system may require vertical section to move termination into a low pressure zone.
- ✓Vacuum Switch failure - Bypass the vacuum switch, if this corrects the problem check for above problems before replacing the Vacuum Switch.
- ✓Damage to gray wires between Circuit Board and Vacuum Switch - Inspect wires and connectors
- ✓Combustion Blower failure - The Combustion Blower is not turning fast enough to generate the proper vacuum in the Exhaust Channel. Visual Check; is the blower motor turning? Check the Exhaust Blower voltage across the blower wires ( $\geq 114$  V on #5 setting and  $\geq 82$  V on #1 setting). – Replace the Circuit Board if the Voltage reading is less than 82 V. with a line voltage  $>114$  V AC.
- ✓Check Vacuum levels in the exhaust channel by bypassing the vacuum switch, then remove the Vacuum hose from Vacuum Switch. Check exhaust vacuum readings by placing the open end of the Vacuum Hose on a Magnahelic Gauge. (readings must be above .10" W.C. on low fire).  
If the motor fails to reach a 0.10" W.C. readings, then replace the Combustion Blower

**To reset Circuit Board after a trouble code - push the ON/OFF button**

## 5. Auger light flashes but auger motor does not turn at all.

- ✓If the Auger gear box does not turn but the motor's armature does try to spin then the auger is jammed. – Try to break apart jam by poking at the jam through the drop tube. If this fails then empty the hopper and remove the Auger Cover \*\*Remember to re-seal the cover after installation\*\*
- ✓Check the fuse on the circuit board.

## 6. The 200 °F ( 93 °C) high limit temperature sensor has tripped.

- ✓Reset sensor and determine cause – was it Convection Blower failure or 160 °F ( 71 °C) Temperature Sensor failure? Bypass the 160 °F ( 71 °C) sensor, does the Convection blower come on high if not replace the blower? If yes, replace sensor (located on the left side of the firewall).
- ✓Check the fuse on the circuit board.

## 7. The convection blower will not function normally.

- ✓Clean all grill openings at the back and below unit .
- ✓Press the fan button; does the fan come on? Press again to verify that the blower turns on; if, not contact your local dealer for service.

## 8. Ignitor- the pellets will not light.

- ✓Everything else in the stove operates but the ignitor will not light the pellets.
- ✓Make sure the burn pot liner is up tight and square to the ignitor tube by pushing the burn pot back against the ignitor tube.
- ✓Check to see if the exhaust blower is operating. If not, contact your local dealer for service.
- ✓Check the fuse on the circuit board.

**NOTE:** The ignitor should be bright orange in color. If not replace the ignitor.

## 9. Control settings (Heat Level) has no effect on the fire.

**NOTE:** If the system light is flashing the Control Board has complete control of the unit. When the units system light becomes solid then control of the unit is given back to the operator.

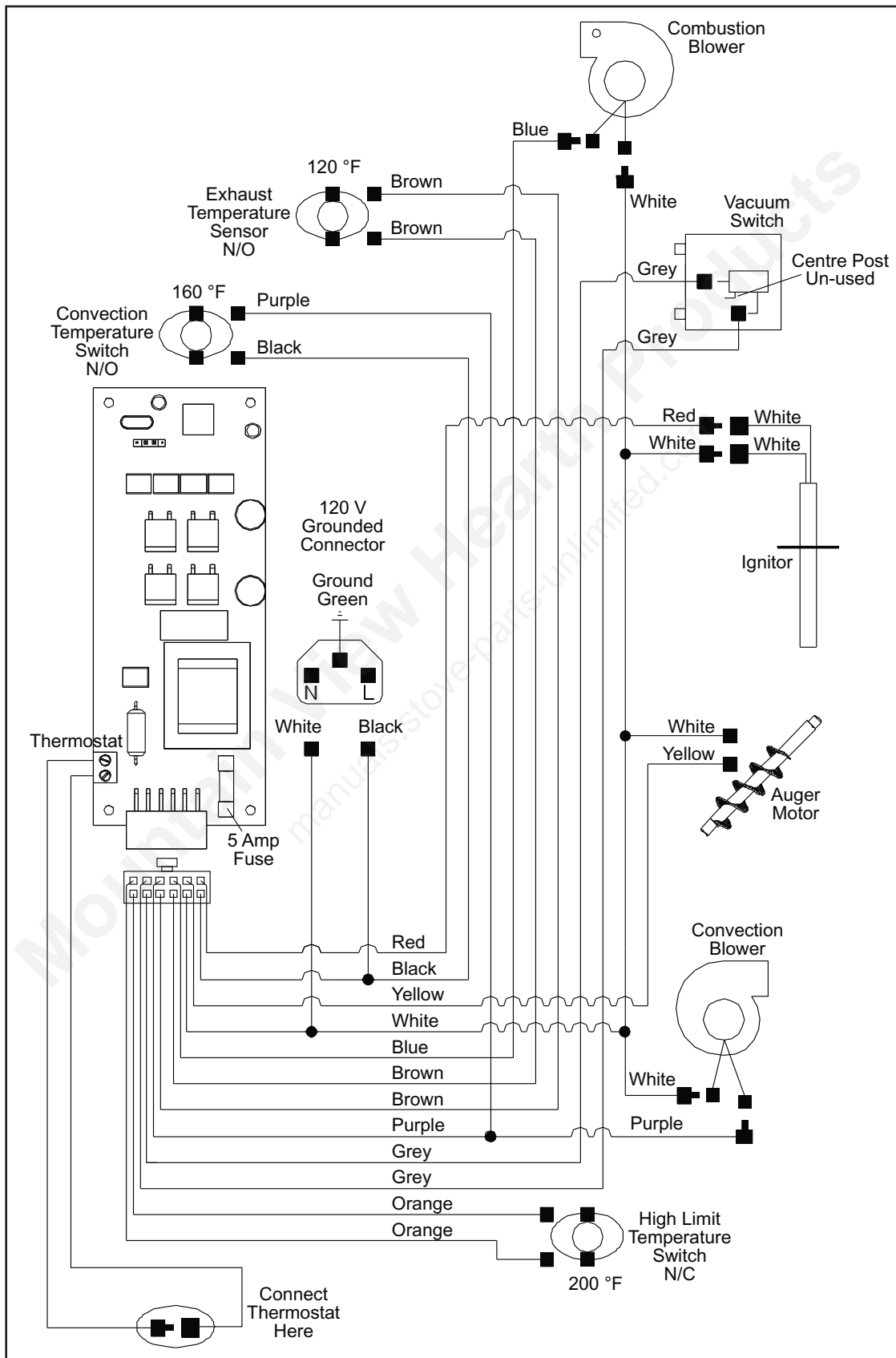
- ✓If there is no control of the Heat Level button make sure the thermostat is calling for heat.
- ✓Call your local dealer for service.

## 10. The stove keeps going out.

If the stove goes out and leaves fresh unburned pellets or cigarette-like ashes in the burn pot liner, the fire is going out before the stove shuts off.

- ✓Check to see that the Slider / Damper is in the correct position.
  - ✓Turn the Heat Level up slightly (poor quality pellets will require slightly higher settings).
  - ✓Set the auger trim till the #1 and #5 lights are illuminated.
- If the stove goes out and there are partially burned pellets left in the burn pot liner, the stove has shut down due to a lack of air, exhaust temperature, or power failure.
- ✓Adjust the Slider / Damper.
  - ✓Check to see if the stove needs a more complete cleaning.
  - ✓Turn the Heat Level up slightly (poor quality pellets will require slightly higher settings).
  - ✓Did the power go out?
  - ✓Contact your local Dealer for service.

## WIRING DIAGRAM

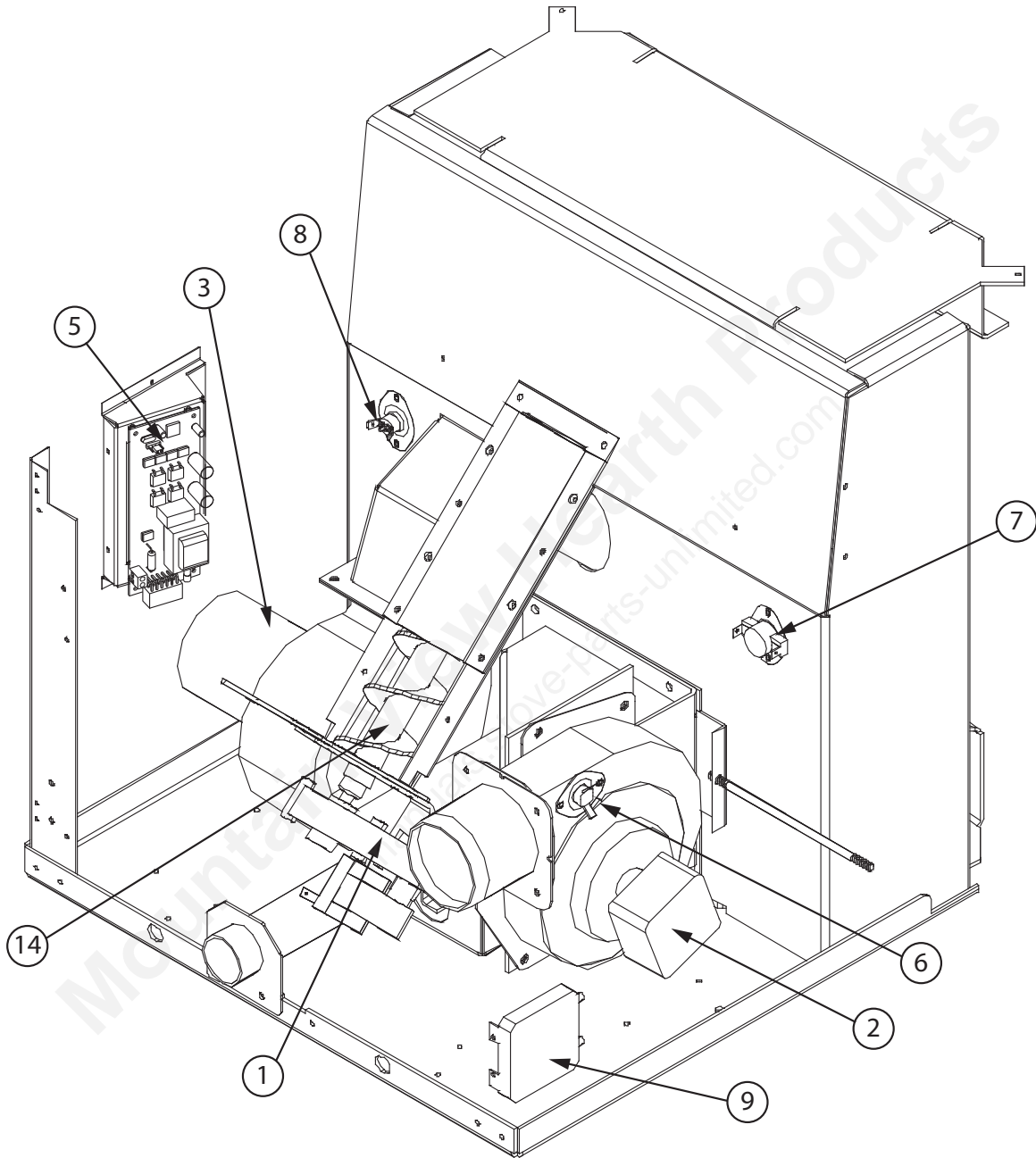


# PARTS LIST

## PARTS LIST & COMPONENTS

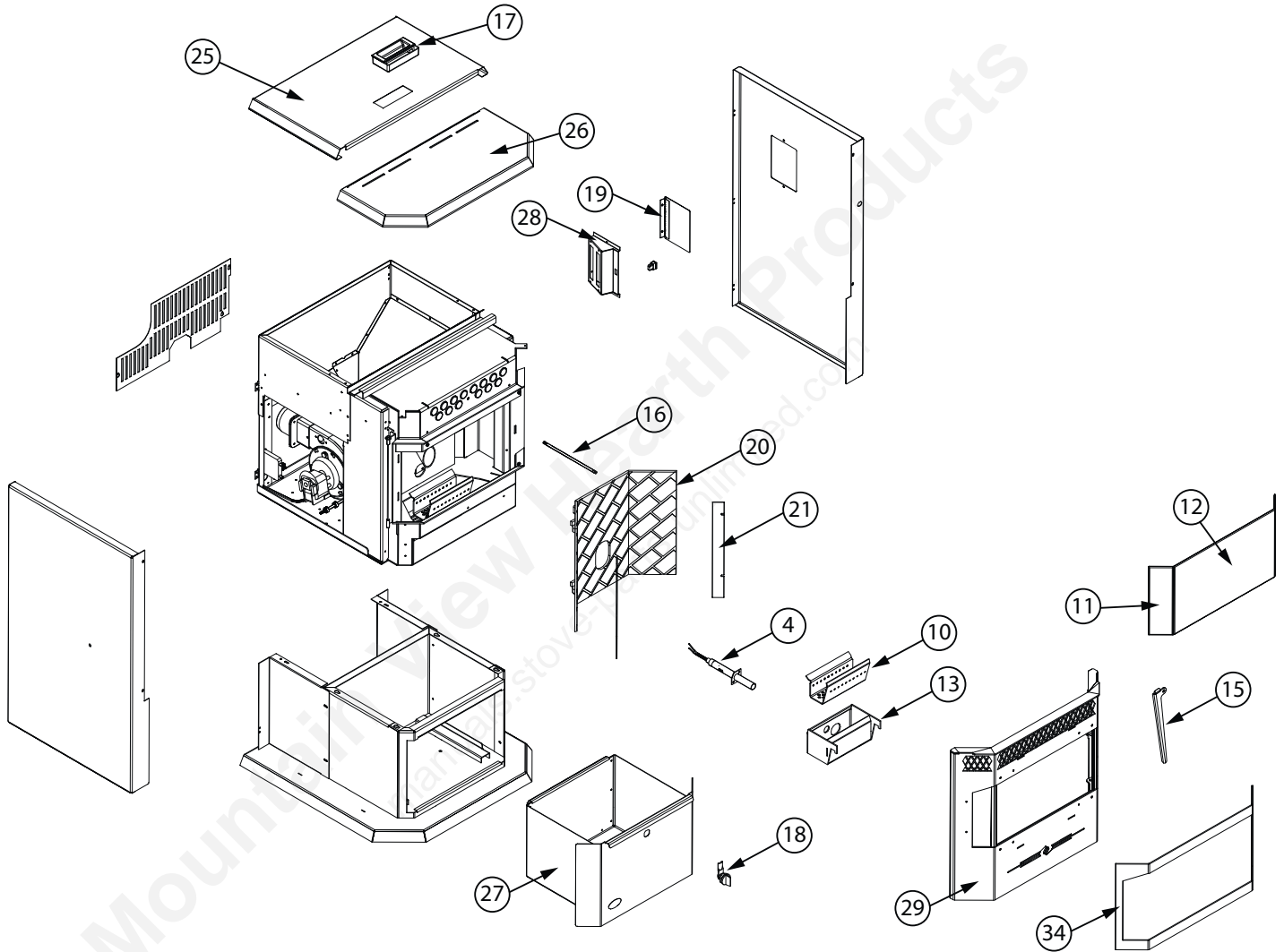
Part #	Description	Part #	Description
1) GF55-001	Auger Motor 115V 1 Rpm	15) GF55-040	Door Handle GF55/GFI55
2) GF55-002	Combustion Blower Motor Only 115V	GF55-041	Door Handle Bolt, Nut, Washer GF55/GFI55
3) GF55-003	Convection Blower 115V	16) GF55-042	Slider Damper Rod W/Knob GF55/GFI55
4) GF55-004	Ignitor 300 Watt 115V	GF55-046	Knob 1 in. GF55/GFI55
5) GF55-005	Circuit Board W/Tstat Switch 115V	GF55-047	Auger Collar W/Screw 3/4 in. ID GF/GFI55
GF55-006	Circuit Board Fuse (Set 2)	17) GF55-051	Handle Hopper Lid GF55
GF55-007	Circuit Board Wire Harness	18) GF55-053	Latch Ash Drawer GF55
GF55-008	Circuit Board Control Panel Decal	19) GF55-054	Door Control Panel W/Hinge GF55/GFI55
6) GF55-009	120 Ceramic Exhaust Temp Sensor	20) GF55-056	Brick Panel Set GF55/GFI55
7) GF55-010	160 Ceramic Convection Fan Sensor	21) GF55-057	Retainers Brick Panel GF55/GFI55
8) GF55-011	200 High Limit Sensor Manual Reset	22) GF55-058	Cover Hopper GFI55
9) GF55-012	Vacuum Switch 115V	23) GF55-059	Lid Hopper GFI55
GF55-013	Silicone Hose	24) GF55-060	Ash Drawer GFI55
GF55-014	Gasket Convection Blower Mtng	25) GF55-061	Lid Hopper GF55
GF55-015	Gasket Combustion Blower Assembly Mtng	26) GF55-062	Front Top Assembly GF55
GF55-016	Gasket Combustion Blower Motor Mtng	27) GF55-066	Ash Drawer GF55
GF55-017	Gasket Exhaust Starter Tube	28) GF55-067	Control Panel W/Decal GF55
GF55-018	Tape Window Channel 72 In.	29) GF55-068	Main Door Complete Assembly GF55/GFI55
GF55-019	Gasket 5/8 In. Door 7 Ft	30) GF55-069	Front Top Assembly GFI55
GF55-020	Gasket Ped & Ash Pan 10 Ft	31) GF55-072	Control Panel W/Decal GFI55
GF55-021	Fastener Bag Pellet Mechanical & Elec.	32) GFI55-910	Faceplate Regular GFI55
10) GF55-022	Burn Pot Liner SS High Ash	33) GFI55-912	Faceplate Oversize GFI55
GF55-034	Burn Pot Liner Standard SS GF55/GFI55	34) GF55-921	Door Overlay Brush Nickel GF55 / GFI55
GF55-023	Scraper Tool Burn Pot GF55/GFI55	GF55-923	Door Overlay Antique Copper GF55 / GFI55
GF55-025	Power Cord Domestic GF55/GFI55		
GF55-026	Heyco Strain Relief		
GF55-027	Sholder Bolt, Roll, Nut GF55/GFI55 2 Set		
11) GF55-028	Glass Side GF55/GFI55		
12) GF55-029	Glass Front GF55/GFI55		
GF55-033	Exhaust Starter Tube 3x2.5 GF55/GFI55		
GF55-036	Cleaning Rod Heat Tube GF55/GFI55		
13) GF55-037	Burn Pot Assembly GF55/GFI55		
14) GF55-038	Auger GF55/GFI55		
GF55-039	Auger Brass Bushing & Plate GF55/GFI55		

## PELLET STOVE COMPONENTS

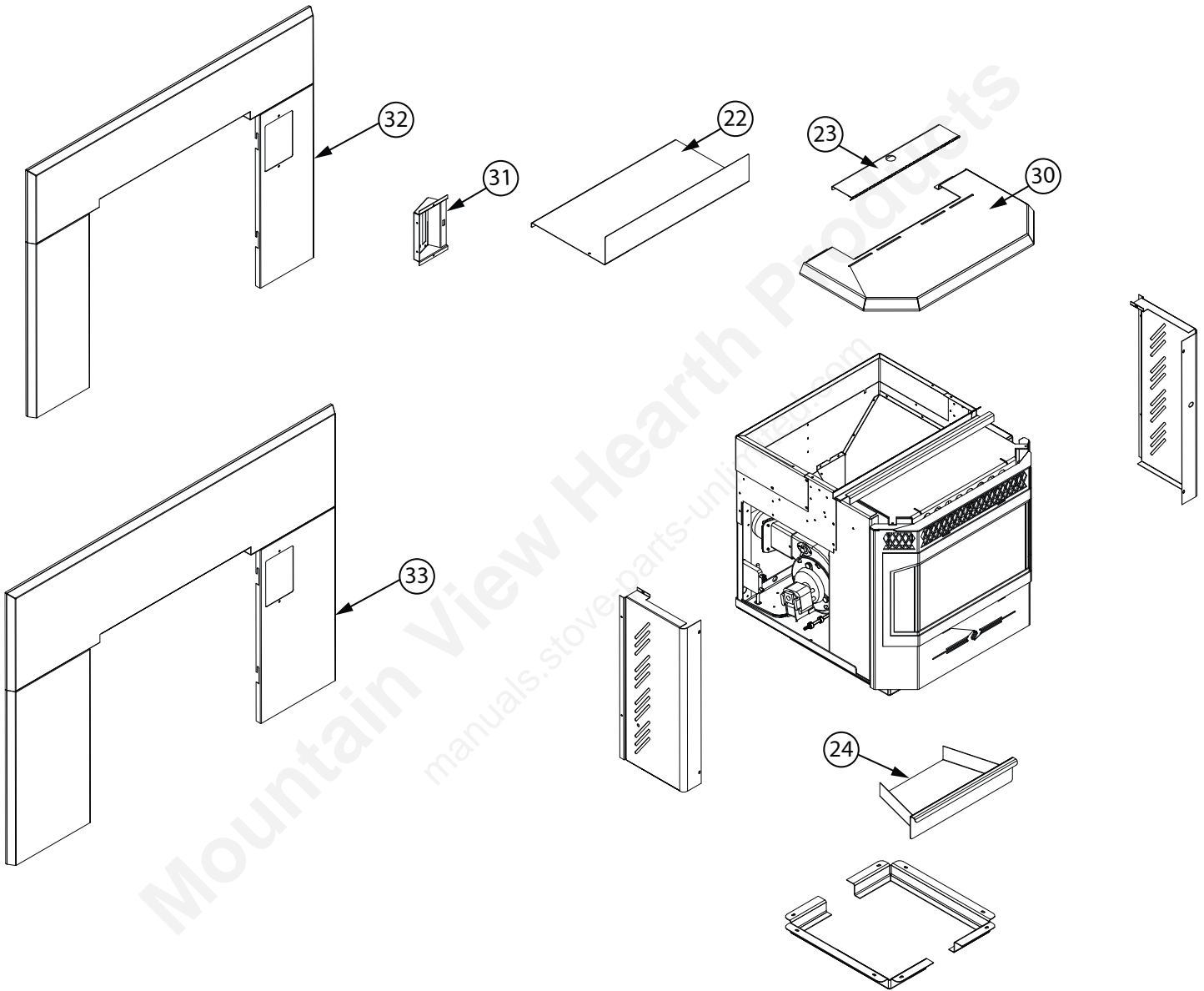


# PARTS LIST

## GF55 FREESTANDING PELLET STOVE



## GFI55 PELLETT INSERT



# WARRANTY

---

FPI is the manufacturer of the Greenfire line of heating products. At FPI, our commitment to the highest level of quality and customer service is the most important thing we do. Each Greenfire stove is built on a tradition of using only the finest materials and is backed by our Exclusive Lifetime Limited Warranty to the original purchaser. With Greenfire, you're not just buying a stove, you're buying a company with years of unequalled performance and quality.

## **Limited Lifetime Warranty:**

Under this warranty, FPI covers the fireplace or stove body and accessories against defects in materials and workmanship, for part repair or replacement for the first seven (7) years and limited labour for the first two (2) years to the original purchaser. This Warranty covers: Firebox, Heat Exchanger, Burn Pot, Firebox Panels, Ceramic Glass, Pedestals, Panels, Legs, Log Sets and Door Assembly. Please see the exclusions and limitation section below as certain restrictions and exclusions apply to this warranty.

## **Limited Three (3) Year Warranty:**

Under this warranty, FPI covers the Burn Pot Liner against defects in materials and workmanship, for part repair or replacement for the first three (3) years and limited labour for the first two (2) years to the original purchaser. Please see the exclusions and limitation section below as certain restrictions and exclusions apply to this warranty.

## **Limited Two (2) Year Warranty:**

Under this warranty, FPI covers: Auger Motor, Circuit Board, Timers, Temp Sensors, Blowers, Vacuum Switch and Wire Harness, against defects in materials and workmanship, for part repair or replacement for the first two (2) years and limited labour for the first two (2) years to the original purchaser. Please see the exclusions and limitation section below as certain restrictions and exclusions apply to this warranty.

## **Limited One (1) Year Warranty:**

Under this warranty, FPI covers the Ignitor and all exterior surface finishes against defects in materials and workmanship, for part repair or replacement and limited labour for the first (1) year to the original purchaser. Please see the exclusions and limitation section below as certain restrictions and exclusions apply to this warranty.

## **Here is how our Warranty works:**

If you have any concerns with your Greenfire product please contact the dealer where you purchased the fireplace or stove. Your dealer shall make all claims under this warranty in writing.

## **To the Dealer:**

When filling out a warranty claim please complete the following information on an official warranty claim form:

Customer information: Name, address and telephone number of purchaser and date of purchase.

Dealer information: Date of installation, name of installer and dealer, serial number of the appliance, nature of complaint, defects or malfunction, description and part numbers of any parts replaced.

## **To the Distributor:**

Sign and verify that work and information are correct.

## Exclusions and Limitations:

1. This Warranty does not cover tarnish, discoloration or wear on the plating or paint.
2. This Warranty excludes wear and tear or breakage caused by cleaning, moving or service on log set.
3. A qualified installer must install this stove or fireplace. This Limited Warranty covers defects in materials and workmanship only if the product has been installed in accordance with local building and fire codes; in their absence, refer to the owner's manual. If the product is damaged or broken as a result of any alteration, willful abuse, mishandling, accident, neglect, or misuse of the product, the Limited Warranty does not apply.
4. The stove must be operated and maintained at all times in accordance with the instructions in the Owner's Manual. If the unit shows signs of neglect or misuse, it is not covered under the terms of this Warranty policy. Performance problems due to operator error will not be covered by the Limited Warranty policy.
5. As this is a heating appliance some changes in colour of surface finishes may occur. This is not a flaw and as such is not covered under this warranty.
6. Some minor expansion, contraction, or movement of certain parts and resulting noise, is normal and not a defect and, therefore, is not covered under this Limited Warranty.
7. Misuse includes over-firing. Over-firing this appliance can cause serious damage and will nullify the Limited Warranty.
8. The Limited Warranty will cover glass thermal breakage only and will not cover misuse of the stove glass, including but not limited to glass that is struck, has surface contaminants or has had harsh or abrasive cleaners used on it.
9. This warranty does not cover products made or provided by other manufacturers and used in conjunction with the operation of this stove without prior authorization from FPI. The use of such products may nullify the Limited Warranty on this stove. If unsure as to the extent of this Limited Warranty, contact your authorized Greenfire dealer before installation.
10. FPI will not be responsible for inadequate performance caused by environmental conditions.
11. The Limited Warranty does not cover installation and operational related problems such as spillage caused by environmental conditions. Environmental conditions include but are not limited to nearby trees, buildings, roof tops, wind, hills, mountains, inadequate venting or ventilation, excessive offsets, negative air pressures or other influences caused by mechanical systems such as furnaces, fans, clothes dryers etc.
12. The Limited Warranty is void if:
  - a) The stove has been operated in atmospheres contaminated by chlorine, fluorine or other damaging chemicals.
  - b) The stove is subject to submersion in water or prolonged periods of dampness or condensation.
  - c) Any damage to the unit, combustion chamber or other components due to water, or weather damage which is the result of, but not limited to, improper chimney/venting installation.
  - c) Salt air in coastal areas or high humidity can be corrosive to the finish; these environments can cause rusting. Damage caused by salt air or high humidity is not covered by the Limited Warranty.
13. Exclusions to the Limited Warranty include: injury, loss of use, damage, failure to function due to accident, negligence, misuse, improper installation, alteration or adjustment of the manufacturer's settings of components, lack of proper and regular maintenance, alteration, or act of God.
14. The Limited Warranty does not cover damage caused to the fireplace or stove while in transit. If this occurs, do not operate the stove and contact your courier and/or dealer.
15. The Limited Warranty does not extend to or include firebox paint, door or glass gaskets with damage caused by normal wear and tear, or exterior paint discoloration or chipping, worn gaskets, etc.
16. The Limited Warranty does not include damage to the unit caused by abuse, improper installation, or modification of the unit.
17. Damage to plated surfaces caused by fingerprints, scratches, melted items, or other external scores and residues left on the plated surfaces from the use of abrasive cleaners or polishes is not covered in this warranty.
18. The Limited Warranty does not cover tarnish, discoloration or wear on the plated surfaces.

# WARRANTY

---

19. The paint on the Metal Brick Liner may peel. This is due to the extreme conditions applied to the paint during normal usage. It is not a flaw and is not covered under warranty.
20. FPI is free of liability for any damages caused by the fireplace or stove, as well as inconvenience expenses and materials. The Limited Warranty does not cover incidental or consequential damages.
21. The Limited Warranty does not cover any loss or damage incurred by the use or removal of any component or apparatus to or from the Greenfire fireplace or stove without the express written permission of FPI and bearing a FPI label of approval.
22. Any statement or representation of Greenfire products and their performance contained in Greenfire advertising, packaging literature, or printed material is not part of the Limited Warranty.
23. The Limited Warranty is automatically voided if the fireplace or stove's serial number has been removed or altered in any way. If the stove is used for commercial purposes, it is excluded from the Limited Warranty.
24. No dealer, distributor, or similar person has the authority to represent or warrant Greenfire products beyond the terms contained within the Limited Warranty. FPI assumes no liability for such warranties or representations.
25. FPI will not cover the cost of the removal or re-installation of the stove, hearth, facing, mantels, venting or other components.
26. Labour to replace or repair items under this Limited Warranty will be covered per our warranty service fee reimbursement schedule. Labour rates are set per component and as such total labour costs may not be covered.
27. FPI is not liable for freight or labour on any stove replaced in-field and is not liable for travel costs for service work. In the event of in-home repair work, the customer will pay any in-home travel fees or service charges required by the Authorized Dealer.
28. At no time will FPI be liable for any consequential damages which exceed the purchase price of the unit. FPI has no obligation to enhance or modify any stove once manufactured (example: as a stove evolves, field modifications or upgrades will not be performed).
29. This Limited Warranty is applicable only to the original purchaser and it is non-transferable.
30. This warranty only covers Greenfire products that are purchased through an authorized Greenfire dealer.
31. If for any reason any section of the Limited Warranty is declared invalid, the balance of the warranty remains in effect and all other clauses shall remain in effect.
32. The Limited Warranty is the only warranty supplied by FPI, the manufacturer of the stove. All other warranties, whether express or implied, are hereby expressly disclaimed and purchaser's recourse is expressly limited to the Limited Warranty.
33. FPI and its employees or representatives will not assume any damages, either directly or indirectly, caused by improper usage, operation, installation, servicing or maintenance of this stove.
34. FPI reserves the right to make changes without notice. Please complete and mail the warranty registration card and have the installer fill in the installation data sheet in the back of the manual for warranty and future reference.



**FPI fireplaces are designed with reliability and simplicity in mind. In addition, our internal Quality Assurance Team carefully inspects each unit thoroughly before it leaves our door.**

**FPI Fireplace Products International Ltd. is pleased to extend this Limited Lifetime Warranty to the original purchaser of a FPI Product.**

***Installer: Please complete the following information***

**Dealer Name & Address:** \_\_\_\_\_  
\_\_\_\_\_

**Installer:** \_\_\_\_\_

**Phone #:** \_\_\_\_\_

**Date Installed:** \_\_\_\_\_

**Serial No.:** \_\_\_\_\_