

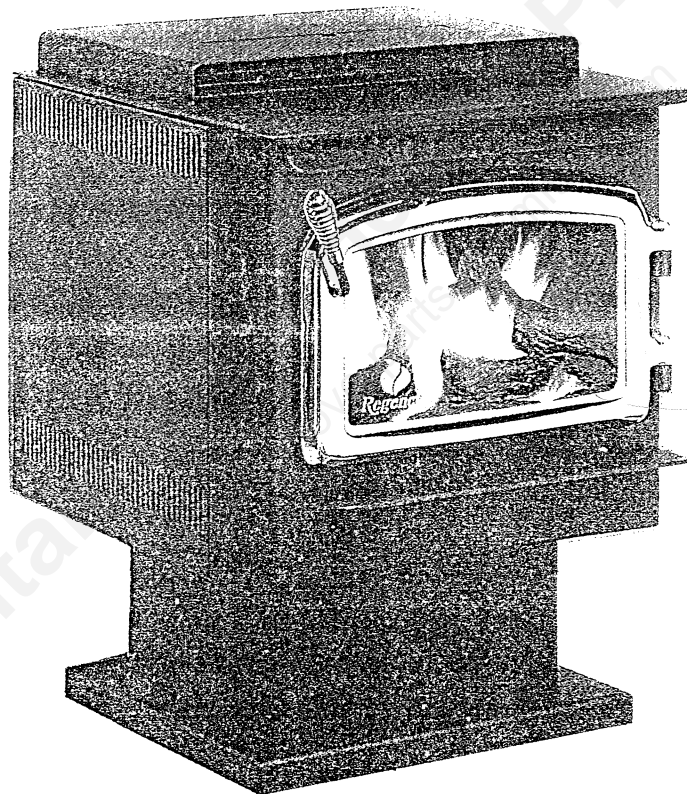


Regency

FIREPLACE PRODUCTS

INSTRUCTION MANUAL

Regency Pellet Stove



Model PR67

SAVE THESE INSTRUCTIONS

Regency Industries Ltd.
7830 Vantage Way
Delta, BC
Canada V4G 1A7

Tested by Warnock Hersey
UL 1482
ULC S627



Thank-you for purchasing a
REGENCY FIREPLACE PRODUCT.

The pride of workmanship that goes into each of our products will give you years of trouble-free enjoyment. Should you have any questions about your product that are not covered in this manual, please contact the **REGENCY DEALER** in your area.

Keep those **REGENCY FIRES** burning.

SAFETY NOTE: Please read this entire manual before installation and use of this pellet fuel burning room heater. Failure to follow these instructions could result in property damage, bodily injury or even death.

Contact local building or fire officials about restrictions and installation inspection requirements in your area.

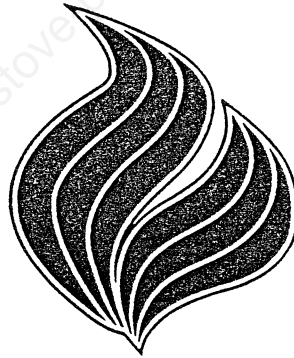


TABLE OF CONTENTS

	Page		Page
SAFETY PRECAUTIONS		OPERATING INSTRUCTIONS	
Safety Label	4	Fuel	13
Safety Precautions	5	Feature Comments	14
		Procedure for starting the Stove	14
		First Fire	15
		Turning the Stove Off	15
		Automatic Safety Features	15
INSTALLATION REQUIREMENTS		MAINTENANCE	
Clearances to Combustibles	6	Routine Maintenance	16
Mobile Home Installations	6	End of Season Maintenance	18
Alcove Installations	6	Wiring Diagram	18
Corner Installations	6		
Floor Protection	7		
Outside Combustion Air	7		
Location of Stove	7		
		TROUBLESHOOTING GUIDE	
INSTALLATION INSTRUCTIONS		Troubleshooting Guide	19
Pedestal Assembly	7		
Leg Assembly	7		
Design Guidelines for Exhaust System	8		
Chimney Installation		WARRANTY	
- Vent Termination Requirements	8	Warranty	23
- Horizontal Exhaust through Wall	9		
- Freestanding through wall with			
Outside Vertical Pipe Installation with			
Termination through Outside Roof	10		
- Inside Vertical through the Roof	10		
- Hearth Stove Installation	11		
- Outside Air Connection	11		
- Negative Pressure Testing	12		
Finishing the Unit			
- Louvers	12		
- Latch Adjustment	12		
- Door Handle	12		
- Logs (Optional)	12		
- Door Glass	13		
- Draft Extension Rod	13		

SAFETY LABEL

This is a copy of the label that accompanies each **Regency Pellet Stove**. We have printed a copy of the contents here for your review. The safety label is located on the inside of the hopper lid.

NOTE: Regency units are constantly being improved. Check the label on the unit and if there is a difference, the label on the unit is the correct one.

Warnock Hersey



LISTED ROOM HEATER, PELLETIZED WOOD FUEL TYPE
ALSO SUITABLE FOR MOBILE HOME INSTALLATION

IF EQUIPPED WITH PEDESTAL BASE
MODEL: REGENCY PELLET STOVE (PR67)

TESTED TO: UL 1482 / ULC S627 / CSA B366.2M/ ASTM DRAFT

REPORT NO. 6487 (JULY, 1992) MAX. INPUT RATING: 4.5 LBS/HR, 40,000 BTU/HR

INSTALL AND USE ONLY IN ACCORDANCE WITH THE MANUFACTURER'S INSTALLATION AND OPERATING INSTRUCTIONS.

CONTACT LOCAL BUILDING OR FIRE OFFICIALS ABOUT RESTRICTIONS AND INSTALLATION INSPECTION IN YOUR AREA. SEE LOCAL BUILDING CODE AND MANUFACTURER'S INSTRUCTIONS FOR PRECAUTIONS REQUIRED FOR PASSING A CHIMNEY THROUGH A COMBUSTIBLE WALL OR CEILING. DO NOT CONNECT THIS UNIT TO A CHIMNEY FLUE SERVING ANOTHER APPLIANCE. THIS PELLET FIRED APPLIANCE HAS BEEN TESTED AND LISTED FOR USE IN MANUFACTURED HOMES IN ACCORDANCE WITH OREGON ADMINISTRATIVE RULES 814-23-900 THROUGH 814-23-909.

COMPONENTS REQUIRED FOR INSTALLATIONS : MODEL PL VENT CHIMNEY AND COMPONENTS- 3" / 75 MM OR 4" / 100 MM DIAMETER, AND OUTSIDE COMBUSTION AIR INLET. COMPONENTS REQUIRED FOR MOBILE HOME INSTALLATION: PEDESTAL BASE AND OUTSIDE COMBUSTION AIR INLET.



FOR USE WITH PELLETIZED WOOD FUEL ONLY. OPERATE ONLY WITH VIEWING DOOR CLOSED. KEEP ASH DOOR CLOSED DURING FIRING OF THE HEATER. REPLACE GLASS ONLY WITH 5MM CERAMIC GLASS.

INSPECT AND CLEAN CHIMNEY AND CONNECTOR FREQUENTLY. KEEP FURNISHINGS AND OTHER COMBUSTIBLE MATERIAL AWAY FROM HEATER.

ELECTRICAL RATING: VOLTS 110, AMPS 3.3, HZ 60. ROUTE CORD AWAY FROM HEATER.

DO NOT REMOVE

WH-

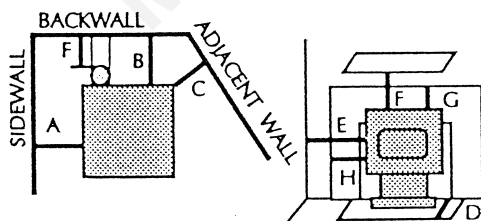
MINIMUM CLEARANCES TO COMBUSTIBLE MATERIALS

HEARTH MOUNTED INSTALLATION

SIDEWALL TO UNIT E 200 mm/8 in
MANTLE TO UNIT F 435 mm/17-1/4 in
TOP FACING TO UNIT G 25 mm/1 in
SIDE FACING TO UNIT H 25 mm/1 in
FLOOR PROTECTION D 150 mm/6 in

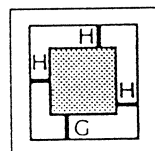
FREESTANDING INSTALLATION

SIDEWALL TO UNIT A 180 mm/7 in
BACKWALL TO UNIT B 25 mm/1 in
CORNER TO UNIT C 25 mm/1 in
FLUE TO WALL F 75 mm/3 in



ALCOVE HEIGHT MIN. 1270 mm/50 in
ALCOVE DEPTH MAX. 750 mm/30 in
ALCOVE WIDTH MIN. 900 mm/39 in

COMBUSTIBLE FLOOR MUST BE PROTECTED BY NON-COMBUSTIBLE MATERIAL EXTENDING TO THE FRONT AND SIDES AS INDICATED BY G) 6 IN/150 MM AND H) 0 IN/0 MM.



MANUFACTURED BY:
REGENCY INDUSTRIES LTD.
7830 VANTAGE WAY, DELTA, BC V4G 1A7

CAUTION

HOT WHILE IN OPERATION DO NOT TOUCH. KEEP CHILDREN, CLOTHING, AND FURNITURE AWAY, CONTACT MAY CAUSE SKIN BURNS. READ ABOVE INSTRUCTIONS AND OWNER'S MANUAL.

MADE IN CANADA

The Regency Pellet Product Label

SAFETY PRECAUTIONS

SAFETY PRECAUTIONS

- 1) This stove must be properly installed in order to prevent the possibility of a house fire. For your safety, the installation instructions must be strictly adhered to. Contact your local building officials to obtain a permit and information on any installation restrictions and inspection requirements in your area.
- 2) The stove's exhaust system works on a negative combustion chamber pressure and a small positive chimney pressure. Therefore, it is important that the exhaust system be sealed airtight and installed correctly. When installing different chimney lengths ensure that the joints are well sealed. Since Regency Industries Ltd., has no control over the installation of your stove, Regency Industries Ltd. grants no warranty, implied or stated, for the installation or maintenance of your stove, and assumes no responsibility for any consequential damage(s).
- 3) There may be some build-up of dust and smaller quantities of soot or creosote in the exhaust vent over the burn season. Although this will be minimal under correct operation, a precautionary inspection (and cleaning if needed) on a regular basis is advisable.
- 4) Under correct operation the Regency Pellet Stove cannot be overfired. Continuous operation at a maximum burn can, however, shorten the life of some components (blowers, motors and electronic controls) and is not recommended.
- 5) Never use gasoline, gasoline type lantern fuels, kerosene, charcoal lighter fuel to start or "freshen up" the fire. Keep all such liquids well away from the stove at all times.
- 6) Do not operate with the door or ash pan open. Do not operate the stove with worn or damaged door gasketing.
- 7) Do not operate the stove with broken glass.
- 8) Do not attempt to open the door and clean the glass while the unit is in operation. If you need to clean the glass, use a soft cotton cloth. **Clean glass only when unit is cold.**
- 9) Do not use abrasive cleaners to clean the surface or any other part of the unit, in most cases a cloth dampened with water will suffice.
- 10) It is recommended that the stove be secured into its position to avoid any displacement.
- 11) The stove surface can be very hot. You may be seriously burned if you touch the unit while in operation. Warn children of the burn hazard.
- 12) Do not store any fuel closer than 3 feet from your unit.
- 13) Any ashes removed from the stove must be put into a metal container with a tight fitting lid. The closed container of ashes should be placed on a non-combustible surface pending final disposal.
- 14) The appliance is provided with a grounded electrical cord. This cord should be connected to a standard 110 volt, 60 Hz electrical outlet. The power supply cord must be routed to avoid contact with any of the hot or sharp exterior surface areas of the stove.
- 15) All Regency units that are installed in a mobile home must be electrically grounded to the steel chassis of the home and bolted to the floor in compliance with and according to H.U.D. requirements (in the U.S.A.). Make sure the structural integrity of the home is maintained.
- 16) Be sure to maintain the structural integrity of the home when passing a vent through walls, ceilings and roofs. Periodically check to ensure that proper combustion air is admitted to the combustion chamber.
- 17) Should you have any questions with regards to the information above, contact your local Regency dealer for further clarification.

**SAVE THESE INSTRUCTIONS FOR
FUTURE REFERENCE.**

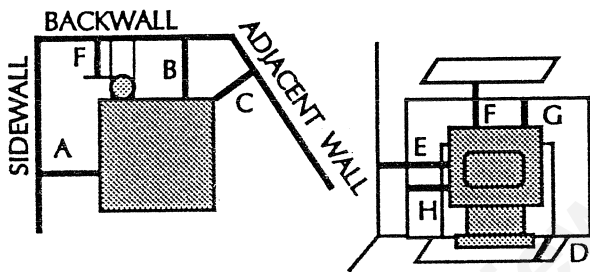
INSTALLATION REQUIREMENTS

Regency Industries highly recommends that your pellet stove only be installed by an authorized dealer. The following installation guidelines must be followed to ensure conformity with both the safety listing of this stove and to local building codes.

CLEARANCES TO COMBUSTIBLES

The stove must be installed with the following minimum clearances to side and back wall combustible materials for **conventional and mobile home** installations:

Side wall to unit	A	7 in. / 180 mm
Back wall to unit	B	1 in. / 25 mm
Corner to unit	C	1 in. / 25 mm
Back wall to flue	F	3 in. / 75 mm



Clearances for **hearth** installation:

Side wall to unit	E	8 in. / 200 mm
Mantle to unit	F	17-1/4 in. / 435 mm
Top facing to unit	G	1 in. / 25 mm
Side facing to unit	H	1 in. / 25 mm
Floor Protection	D	6 in. / 150 mm

MOBILE HOME INSTALLATIONS

In addition to the standard installation instructions, the following requirements are mandatory for installation in a mobile home.

- 1) The stove must be permanently bolted to the floor. Do not disturb the structural integrity of the home.
- 2) Outside combustion air is mandatory.
- 3) The stove must be permanently electrically grounded to the steel chassis of the home.
- 4) Do not install in a bedroom or a room where people sleep.

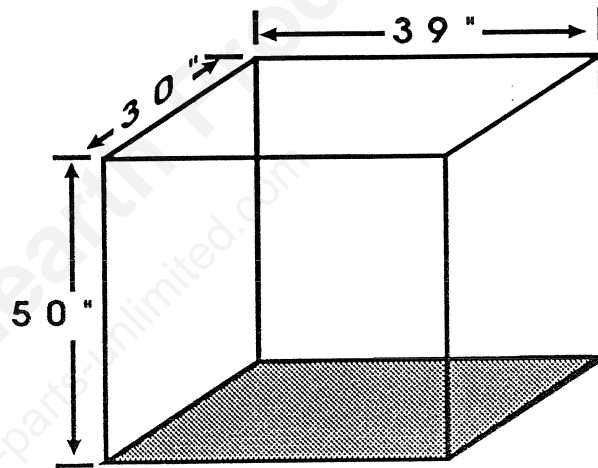
Check with your local building official as other codes may apply.

ALCOVE INSTALLATION

Alcove Size:	Width (minimum)	39 in. (900 mm)
	Height (minimum)	50 in. (1200 mm)
	Depth (maximum)	30 in. (750 mm)

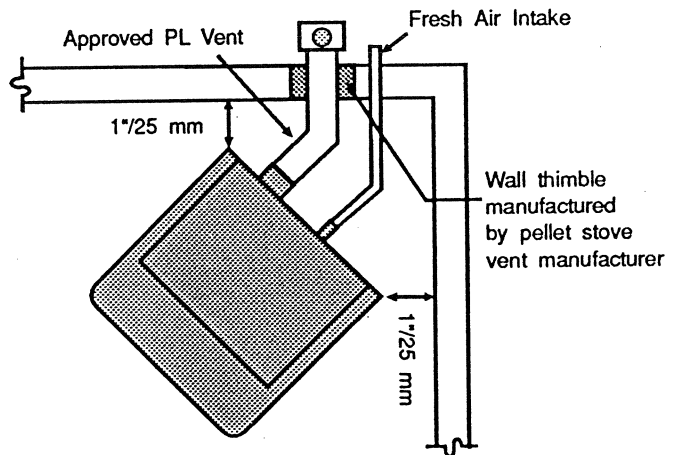
Combustible floor must be protected by a non-combustible material extending to the front 6 in. (150 mm) as on page 7.

The exhaust vent requires 3" (75 mm) clearance to combustible materials.



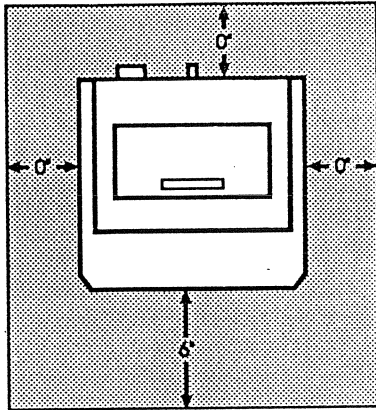
CORNER INSTALLATION

The exhaust flue shown in the installation below, can penetrate either of the side walls or use inside vertical installation.



FLOOR PROTECTION

The Regency Pellet Stove must be installed on a non-combustible floor pad extending a minimum of 6 inches in front.



Floor Protection Measurements/Clearances

OUTSIDE COMBUSTION AIR

- 1) Outside combustion air is mandatory.
- 2) Do not obtain combustion air from an attic, garage or any unventilated space. Combustion air may be obtained from a ventilated crawl space.
- 3) It is required that the fresh air intake to the pellet stove be drawn in from outside the building. (Consult your local dealer regarding this.)

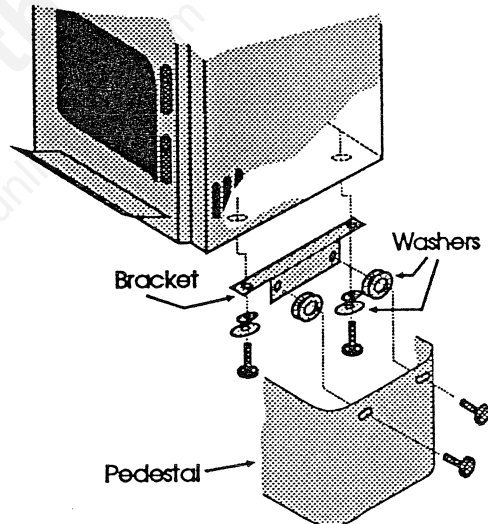
LOCATION OF YOUR PELLET STOVE

- 1) Check clearances to combustibles.
- 3) Do not install the stove in a bedroom.
- 4) Vent the stove directly through an exterior wall behind the unit or connect it to an existing masonry or metal chimney. An interior vent can be used with approved pipe passing through the ceiling and roof.
- 5) Locate the stove in a large and open room that is centrally located in the house. This will optimize heat circulation.
- 6) Before you install the unit, ensure that an electrical outlet is within 6 feet (1.8 m) to 8 feet (2.4 m) for the stove plug.

PEDESTAL ASSEMBLY

The stove comes with a pedestal or set of legs that have to be assembled prior to installation.

- 1) Remove the stove and pedestal from their boxes.
- 2) Fasten brackets to the pedestal using the package of bolts provided with the pedestal. Use two washers per bolt placed between the bracket and the pedestal. Tighten the bolts into place.
- 3) Place the stove on the pedestal with the pedestal hole towards the rear.
- 4) Using the bolts (5/16 x 1" Hex Head) and washers supplied with the stove, locate bolts through the brackets into the base of the stove.
- 5) Check for stove/pedestal alignment and tighten the screws on the pedestal.



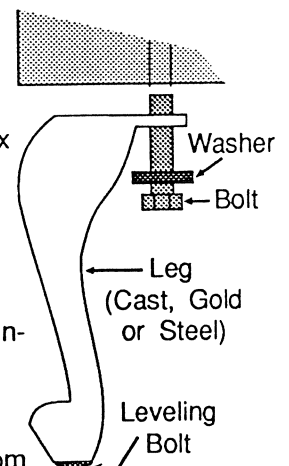
LEG ASSEMBLY

- 1) If you have chosen a stove with legs, remove the stove, and the 4 legs (gold, cast or steel) from their packages.

- 2) Using the bolts (5/16 x 1" Hex Head) and washers supplied with the stove, locate bolts through the brackets into the base of the stove.

- 3) Check for stove/pedestal alignment and tighten the screws.

- 4) Level the stove by adjusting the levelling bolts in the bottom of the legs.



INSTALLATION

DESIGN GUIDELINES FOR EXHAUST SYSTEM

A UL/CSA listed 3 or 4 inch type "L" or "PL" low temperature vent exhaust system must be used and attached directly to the pipe connector provided on the back of the stove.

It is recommended that a single or double clean-out Tee be installed at every 90 degree junction to enable collection of flyash and to permit periodic cleaning of the exhaust system. Flyash and soot accumulated in 90 degree elbows will reduce exhaust flow and the performance of your stove and must be cleaned out.

Regency recommends that the total length of horizontal vent not exceed 15 feet.

When venting into an existing masonry or factory built chimney, it must be cleaned with all creosote removed. A flue liner to the top of the chimney is highly recommended.

The "PL" vent or single wall stainless exhaust system must be installed so as to be GAS TIGHT. The vent manufacturer's installation procedures must be followed. In addition, pipe connections, joints and all pipe seams within the home should be sealed with an external bead of high temperature silicone sealer (RTV).

To determine whether a 3 inch or 4 inch exhaust system will be used, follow the guidelines below:

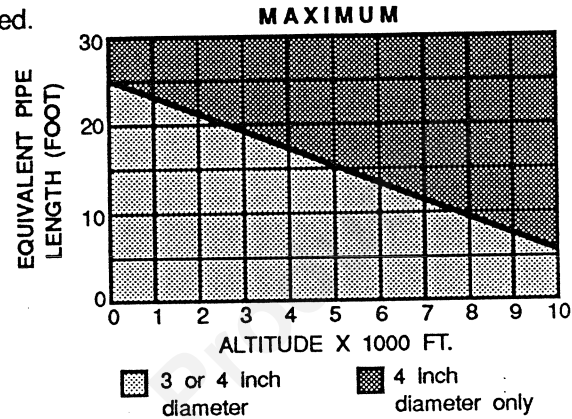
Determine the equivalent length of exhaust vent in feet for the proposed installation.

Horizontal Straight Pipe	- 1 x actual length Ft.
Vertical Straight Pipe	- 0.5 x actual length Ft.
90 Degree Elbow or Tee	- 5 Ft.
45 Degree Elbow	- 3 Ft.

Example: Equivalent Pipe Length

A) Horizontal Pipe	= 1 x (2 + 2)	= 4 Ft.
B) Vertical Pipe	= 0.5 x 6	= 3 Ft.
C) 90 Degree Tee	= 1 x 5	= 5 Ft.
D) 45 Degree Elbow	= 2 x 3	= 6 Ft.
	Total	= 18 Ft.

Determine whether 3 or 4 inch pipe is necessary based on equivalent pipe length calculated above, and altitude of installation, using the diagram below.
Note: To install a 4" vent a 3" to 4" adaptor must be used.



VENT TERMINATION REQUIREMENTS FOR FORCED DRAFT PELLET BURNING STOVE

- Do not terminate the vent in any enclosed or semi-enclosed areas such as a carport, garage, attic, crawl space, narrow walkway, closely fenced area, under a sundeck or porch, or any location that can build up a concentration of fumes such as stairwells, covered breezeway, etc.
- Vent surfaces can get hot enough to cause burns if touched. Non-combustible shielding or guards may be required.
- Termination must exhaust above inlet elevation. It is recommended that at least five feet of vertical pipe be installed when the appliance is vented directly through a wall to create some natural draft to prevent the possibility of smoke or odor during appliance shut down and to keep exhaust from causing a nuisance or hazard from exposing people or shrubs to high temperatures. **The safest and preferred venting method is to extend the vent through the roof.**
- Distance from doors or windows, or gravity or ventilation air inlet into building:
 - Minimum 4 feet (1.2 m) below
 - Minimum 4 feet (1.2 m) horizontally
 - Minimum 1 foot (304 mm) above
- Distance from bottom of termination and grade - 12" (305 mm) minimum. This depends on the type of plants and the nature of the grade surface.

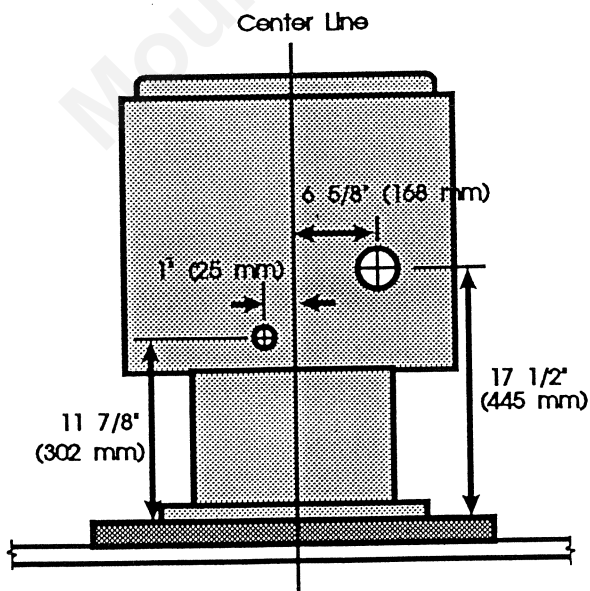
INSTALLATION

The exhaust gases are hot enough to ignite grass, plants or shrubs located in the vicinity of termination. Grade surface must not be lawn. Distance from the bottom of termination and public walkway is 7 feet (2.1 m) minimum.

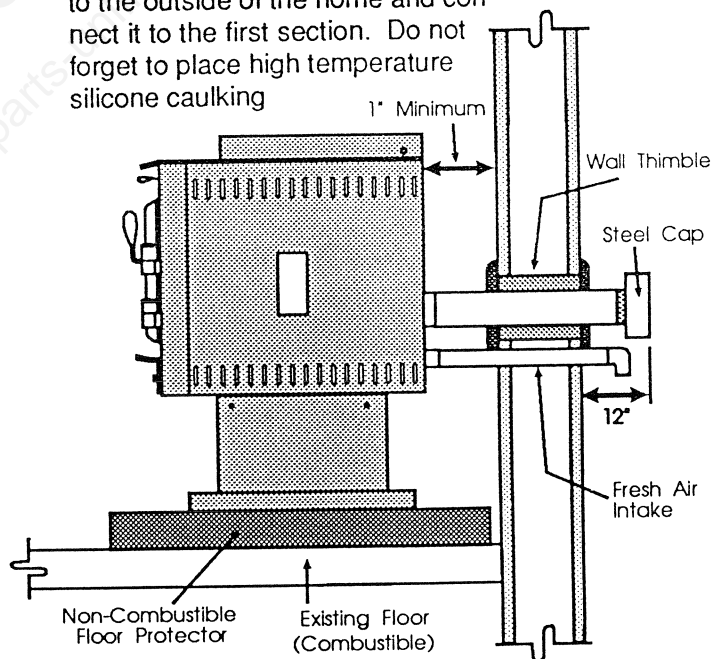
- F) Distance to combustible materials is 2 feet (610 mm). This includes adjacent buildings, fences, protruding parts of the structure, roof overhang, plants, shrubs, etc.
- G) If the unit is incorrectly vented or the air to fuel mixture is out of balance or a poor grade of fuel is being used, a slight discoloration of the exterior of the house might occur. If this occurs do not operate the unit until the cause has been corrected. Since these factors are beyond the control of Regency Industries Ltd., we grant no guarantee against such incidents.

HORIZONTAL EXHAUST THROUGH THE WALL

- 1) Choose a location for your stove that meets the requirements stated in this manual and will interfere least with house framing, plumbing, wiring, etc.
- 2) Install a non-combustible floor protector (where necessary - see page 7).
- 3) Place the appliance into position away from the wall. If the unit is to be set on a hearth pad, set the unit on it.



- 4) Locate the center of the exhaust pipe on the appliance. Extend that line to the wall. Once you have located the center point on the wall, you are ready to cut the holes for the vent (consult the pellet vent installation instructions for hole size). Now you are ready to install the pellet vents only.
- 5) Locate and cut a hole for the combustion air pipe using the procedure in step 4.
- 6) Install a length of PL vent approximately 18" (460 mm) long, 3" (75 mm) or 4" (200 mm) dia. into the wall thimble and seal with high temperature silicone caulking (RTV).
- 7) Seal pipe connections to stove exhaust exit.
- 8) Push the unit until the pipe connects to the wall thimble. The pipe should pass easily through the wall thimble.
- 9) If necessary, bring another pipe length (PL type) to the outside of the home and connect it to the first section. Do not forget to place high temperature silicone caulking



around the pipe connecting the wall thimble. The pipe must extend at least 12" (300 mm) to the outer edge of the pellet vent. See your pellet vent installation instructions for further details.

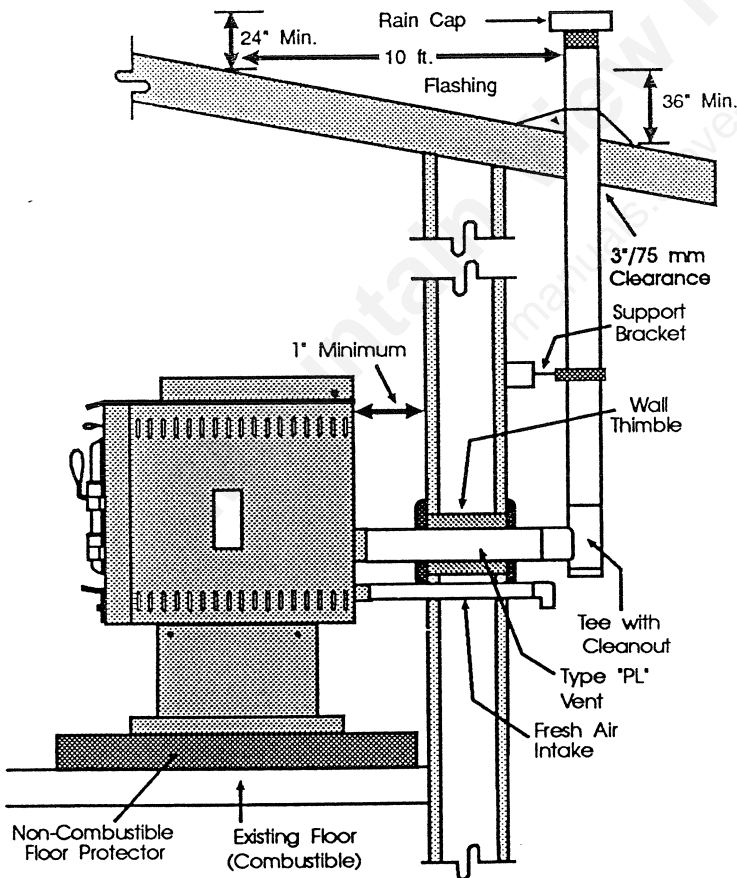
- 10) Install vertical pipe, or if all requirements for direct venting are met, install vent termination. A stainless steel cap termination provided by the vent manufacturer is required.

INSTALLATION

FREESTANDING THROUGH THE WALL OUTSIDE VERTICAL PIPE INSTALLATION WITH TERMINATION THROUGH THE OUTSIDE ROOF

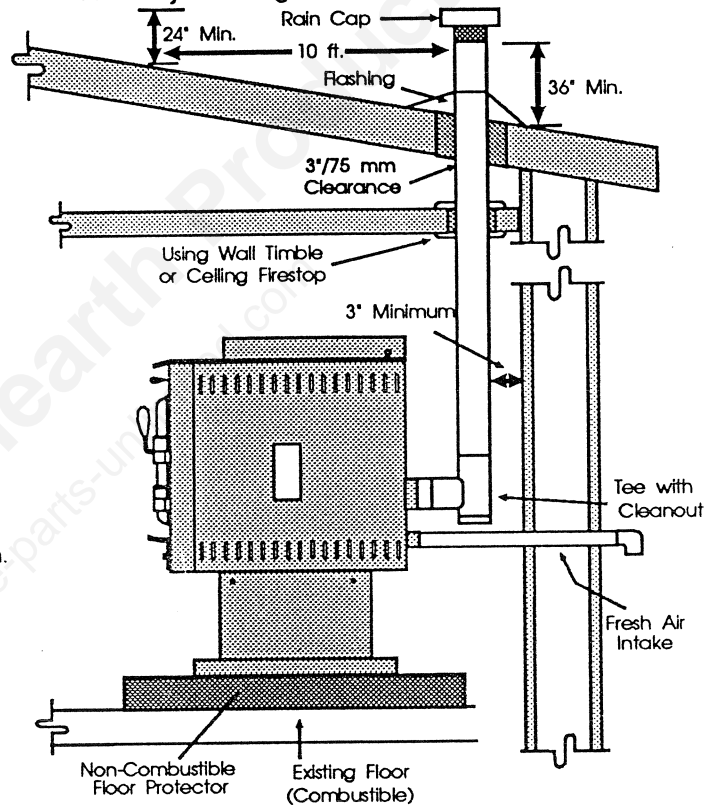
To accomplish this installation, follow steps 1 through 8 in the previous section and then finish it by performing the following.

- 9) Install a tee with clean-out on the outside of the house. See figure below.
- 10) Install PL vent upward from the tee. Make sure that you install support brackets to keep the vent straight and secure.
- 11) Secure the flashing as you go through the roof.
- 12) Ensure that the raincap is approximately 36" (900 mm) above the roof penetration and 2' higher than any wall, roof or building within 10' of it.



INSIDE VERTICAL THROUGH THE ROOF INSTALLATION

- 1) Choose a stove location that is ideal. See the section "Deciding Where to Locate the Pellet Appliance".
- 2) Place a non-combustible hearth pad where necessary. See figure below.

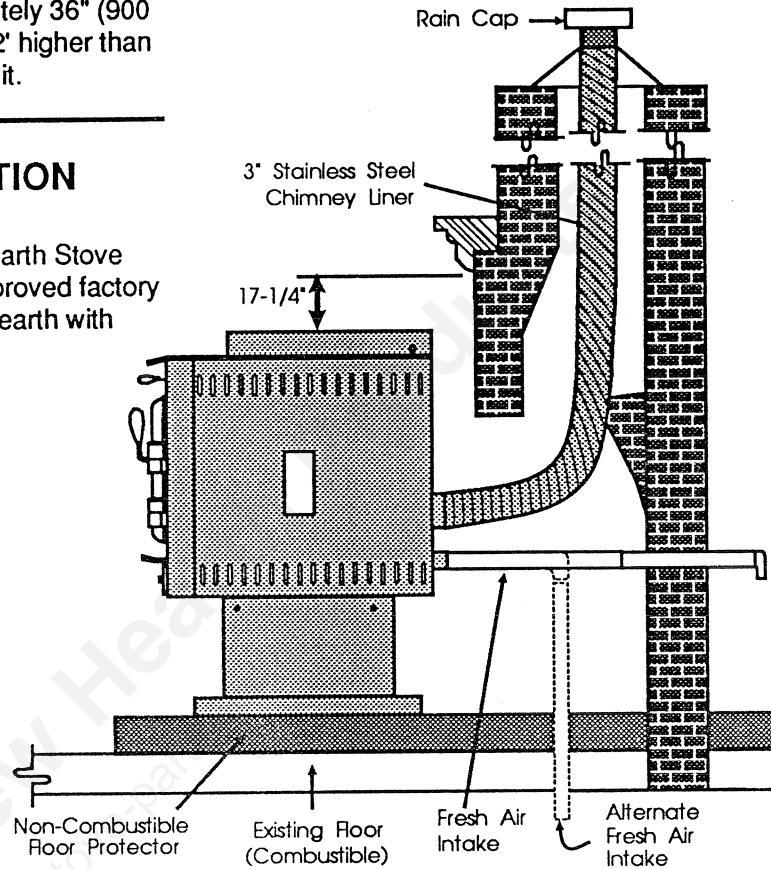


- 3) Place the unit on the floor protector and space it so that when the pellet vent is installed vertically, it will be a minimum 3" (75 mm) away from a combustible wall.
- 4) Locate the center of the fresh air intake pipe on the unit. Match that center with the same point on the wall and cut a hole the size of the outside diameter of the pipe.
- 5) Install the fresh air intake pipe.
- 6) Install the tee with clean-out.
- 7) Install PL vent upward from there. When you get to the ceiling make sure that the vent goes through the ceiling firestop. Maintain a 3" distance to combustibles and keep attic insulation away from the pipe.

- 8) Extend the PL vent to go through the roof flashing.
- 9) Ensure that the rain cap is approximately 36" (900 mm) above the roof penetration and 2' higher than any wall, roof or building within 10' of it.

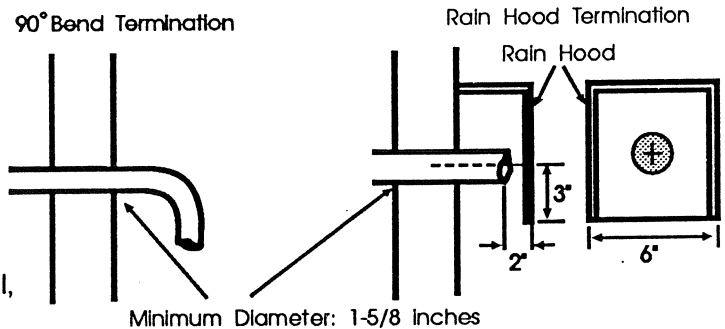
HEARTH STOVE INSTALLATION

The Pellet Stove can be installed as a Hearth Stove into any existing masonry fireplace or approved factory built fireplace. It can be positioned on a hearth with either legs or a pedestal base.



OUTSIDE COMBUSTION AIR CONNECTION

- 1) For installations into a conventional home or mobile home, outside air connection is mandatory.
- 2) Only metal pipe with a minimum 1-5/8" inside diameter is approved for use with an outside air connection (straight or flexible). PVC, plastic or aluminium/plastic pipe is **not** approved, and should never be used. For an insert installation over 10 feet we recommend an increase to a 2" diameter pipe.
- 3) If the air inlet is connected to the outside, it must be terminated with a vertical 90 degree bend (down) or with a rain hood.
- 4) Outside air can be connected out through the wall, down through the floor or can down through the chimney.
- 5) Blockage, excessive length, or bends in the air intake pipe will starve the stove of combustion air. A 90 degree bend is equivalent in restriction of approximately 30 inches of straight inlet pipe. It is recommended that the number of bends in a pipe be kept to a minimum.

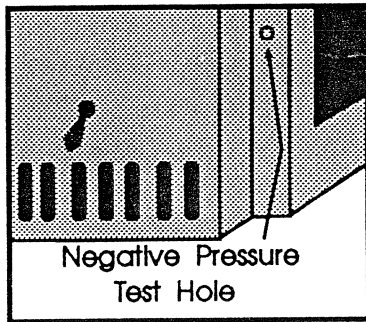


INSTALLATION

NEGATIVE PRESSURE TESTING

The last thing to be done before you light your pellet stove for the first time is to set the negative pressure. This initial setup should be performed by an approved installer as part of the installation. A magnahelic gauge is required.

- 1) Switch the fans on.
- 2) Locate the negative pressure test hole.



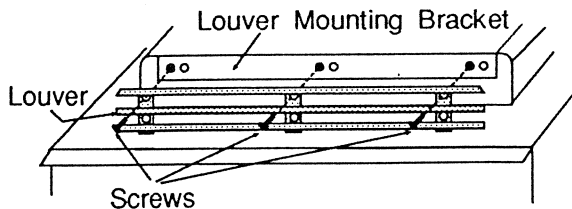
- 3) Put the tube from magnahelic gauge over the test hole.
- 4) Adjust damper in or out until you achieve 0.14 w.c. on the magnahelic gauge.

It is important that this procedure is performed because it determines whether or not you will be getting maximum efficiency and performance from your stove.

FINISHING THE PELLET STOVE

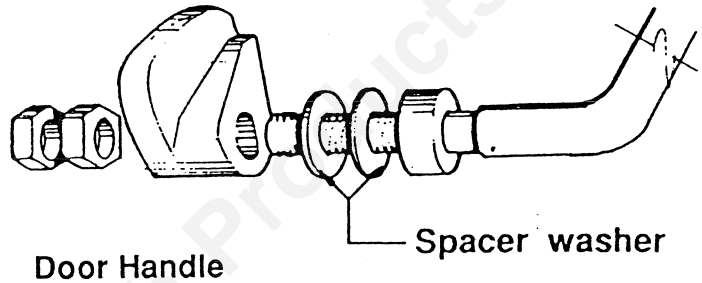
Louver Installation

- 1) Align the louver with the louver mounting bracket.
- 2) Secure the louver with the 3 screws.

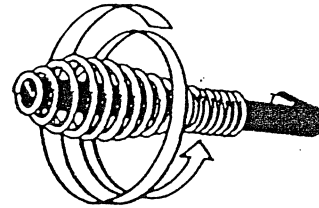


Latch Adjustment

The door latch may require adjustment as the door gasket material compresses after a few fires. Removal of the spacer washer, shown in the diagram below, will allow the latch to be moved closer to the door frame, causing a tighter seal. Remove and replace the nuts, washer and spacer as shown.



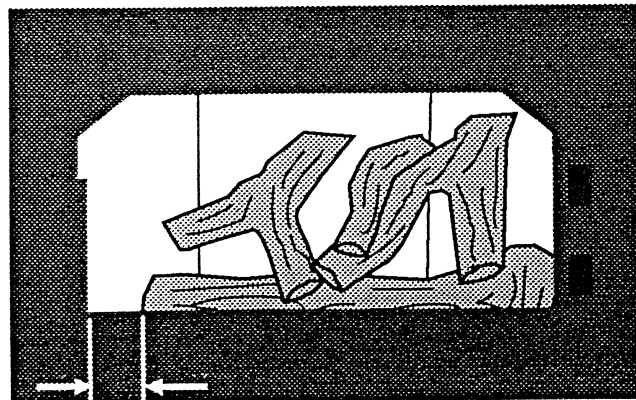
Attach spring handle by rotating counter clockwise onto rod. Ensure that the rod fits into the entire length of the spring handle.



Logs (Optional)

Position the logs so the top back right edge is resting against the firebox back, with the front of the logs resting against the bottom front face. The front left edge of the logs should be 2" to 2-1/2" to the right of the door opening.

Note: The logs are very brittle and easily broken, handle with care.

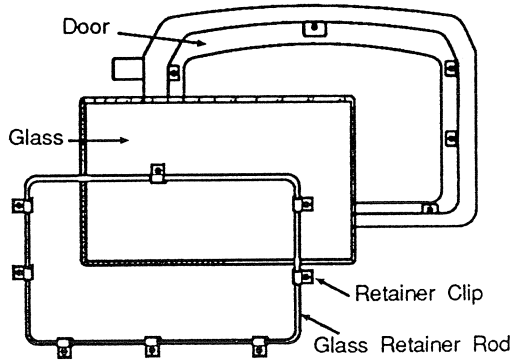


2" TO 2-1/2"

OPERATING INSTRUCTIONS

Door Glass

Your Regency stove is supplied with 5 mm Neoceram ceramic glass that will withstand the highest heat that your unit will produce. In the event that you break your glass by impact, purchase replacement glass from an authorized Regency dealer only, and follow our step-by-step instructions for replacement.



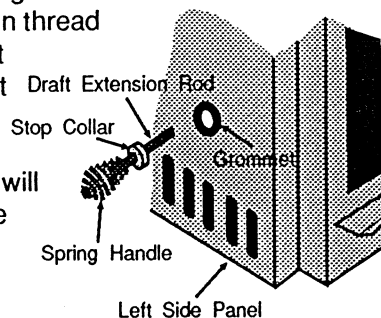
Glass Removal

Allow the stove to cool before removing or replacing glass. Remove the door from the stove and remove the glass retainer. Use caution when removing broken glass to avoid injury. When placing the replacement glass in the door, make sure that the glass gasketing will properly seal your unit. Replace the retainer and tighten securely, but do not wrench down on the glass as this may cause breakage.

Do not use substitute materials, only neoceram glass with a high temperature fibreglass tape around it can be used. If your glass does break, do not continue to use your unit until it has been replaced.

Draft Extension Rod

Install grommet into the draft hole on the left side panel. Slide the stop collar onto the draft rod extension. The installer will set the stop collar to the correct setting (see Damper Control on page 14). Attach the small gold plated spring handle to the end of the draft rod extension and then thread it into the coupling nut on the end of the draft rod inside the unit. If you leave the side panel slightly open, it will be easier to screw the draft rod together. Then close the side panel.



Fuel - Wood Pellet Quality

The Regency Pellet Stove is designed and approved for the burning of pelletized, bio-mass fuel only. The burning of solid fuel in other than pellet form is not permitted. Dirty fuel will adversely affect the performance of the stove and may void the warranty. Failure to comply with this restriction will void all warranties and the safety listing of the stove.

Only wood pellets manufactured to the Association of Pellet Fuel Industries (A.P.F.I.) standard for residential pellet fuels are recommended for use with the Regency Pellet Stove. Look for the A.P.F.I. registration number on the bag of fuel to ensure compliance with the standard. See your dealer for more information.

The A.P.F.I. standard for residential pellet fuel is as follows:

Heat Content:	8200 BTU/lb. minimum
Bulk Density:	40 lb/cubic foot minimum
Moisture Content:	8% maximum
Ash Content:	1% maximum
Size:	1/4" to 3/8" dia., 1.5" long max.
Fines:	1% maximum through a 1/8th inch screen

NOTE: Do not store pellets closer than 36" (900 mm) to the stove. Do not over fill the hopper. Keep the hopper lid closed.

We recommend that pellet fuel containing chlorides (salt) be avoided. Prolonged use of such a pellet fuel will corrode and damage internal components of the combustion/exhaust system.

Check the burn pot periodically to ensure that the holes are not blocked with clinkers which will adversely affect the performance of the stove by blocking off the air holes in the burner. If there is a blockage remove the pot and clean clinkers out, do this only when the unit is cold.

The frequency of ash removal and maintenance performed on the stove is directly proportional to the ash content of the fuel. A stove burning fuel with a higher ash content will need to be cleaned more frequently. Ash should be cleaned out every 2 - 3 days.

Please Note: Regency Industries Ltd. has no control over the manufacture of pellet fuel and will not be held responsible for poor stove performance or any damage caused by inferior pellet fuels.

OPERATING INSTRUCTIONS

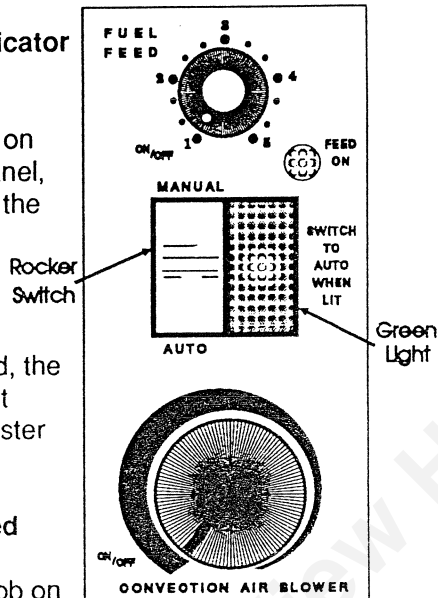
FEATURE COMMENTS

1) Fuel Feed

The fuel feed control knob sets the pellet feed rate to the fire. It directly controls the on/off duty cycle of the auger motor from maximum (0.5 sec. off) to minimum (5 sec. off). The 50% feed rate is approximately at the #3 position.

2) Feed On Indicator Light

The Feed On indicator light on the control panel, flashes when the auger is on. The flashing is indicative of the rate of the pellet feed, the faster the light flashes the faster the rate.



3) Blower Speed Control

The lower knob on the control panel controls the speed of the convection fan. Turning up the fan will increase the amount of heat output into the room. The convection blower (room air blower) generally is set approximately in the same position as the heat output setting (fuel feed). e.g. If the heat output setting is at the #3 setting the blower should be at the halfway point. The stove is equipped with a sensor that will automatically cycle the convection blower according to the heat output setting.

IMPORTANT: The rocker switch must stay in the automatic position when the unit is in operation.

4) Auger 'On' Trim

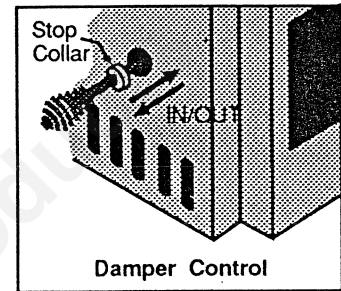
The auger on trim has been factory pre-set at 109.5 K OHMS which is equivalent to 1.5 sec on time, to give optimum burn conditions for A.P.F.I. standard fuel. This trim pot is a small, square blue component mounted on the timer block. Although the trim pot may be adjusted for different fuels, it is advisable to contact your dealer before doing so.

5) Damper Control

The push-pull draft rod, located on the lower left-

hand side of the stove, controls the amount of combustion air to the fire. As the fuel feed is turned up, the damper needs to be pulled out to supply the proper air flow for good combustion. Damper settings will vary from stove to stove due to installation, altitude and the fuel being burned.

After installation the installer will set the damper control for the cleanest and most efficient burn for your unit, and then will tighten the stop collar (the stop collar must be installed before the



draft rod extension is screwed on- see page 13) into position to assist you in setting the draft rod for future fires. You may need to shift the stop collar if you change the type of fuel used or there are other environmental changes. If your flame is a smoky red/orange with evidence of soot at the top of the flame, you need more combustion air: pull the damper out until the flame begins to 'dance'. If the pellets are burning up in the grate before new pellets are fed into the fire, push the damper in just a little. See your dealer if you need more information.

PROCEDURE FOR STARTING THE STOVE

- 1) Make sure your burn grate is free of any ash before lighting your stove.
- 2) Position suitable fire starters in the middle of the burn pot. Place approximately one cup of pellets around the fire starters (the fire starters recommended are of wood particles or similar material). Do not burn garbage or flammable fluids such as gasoline, naphta or engine oil. The use of starter gel is not permitted. Ask your dealer for a recommended solid fuel fire starter.

Alternate method: Place 1/2 cup of pellets in the burn pot, put about 1/2 cup of kerosene wax wood chips on top of the pellets.

- 3) Light fire.
- 4) Close the door leaving a small gap. Do not leave unit unattended when door is open.

OPERATING INSTRUCTIONS

- 5) Switch on the power by pushing the rocker switch to manual.
- 6) Wait until the fire is established. Close the door, latch tight, then turn the fuel feed knob to a medium to high setting (approx. #3).
- 7) Adjust the damper to give sufficient combustion air. Pulling it out increases the amount of air coming into the unit and pushing the damper in decreases the amount of air.
- 8) At this point the green light is off. Wait approximately 5 - 10 minutes, the green light will become lit, then switch to automatic and adjust the fuel feed to the desired heat output level and adjust the damper if necessary.
- 9) The condition of the pellets is critical to the correct operation of your stove. Do not add pellets to your stove that are wet or have turned into sawdust.
- 10) The stove may be safely operated on a continuous basis, but it is recommended that it be turned down overnight or when the room is vacated for long periods of time. A 40 lb. bag of pellets should last approximately 8 hours on high and 30 hours or more on low, depending on the type of pellets.
- 11) Some cracking and popping noises may be experienced during the heating up process. These noises will be minimal when your unit reaches temperature.
- 12) Always maintain clean glass. Clean glass means a clean flue; if you are experiencing dirty glass you may be operating a fire that is not set to the correct air fuel ratio. Ask your dealer for details.

FIRST FIRE

For the first few days, the stove will give off an odor and generate some smoke from the paint and oil burn off. This is to be expected as the high temperature paint becomes seasoned. Windows and/or doors should be left open to provide adequate ventilation while this temporary condition exists. Burning the stove at a very high temperature the first few times may damage the paint. Burn fires at a moderate level for the first few days.

TURNING YOUR PELLET STOVE OFF

Turn the fuel feed knob fully counter clockwise until you hear a click. The blowers will remain running for the next 30 - 35 minutes and will automatically shut off. Remember, to re-start the unit you must turn the rocker switch to manual, and go through the start-up procedure again.

IMPORTANT: If you start up the unit and leave it in the manual mode, it will never shut-off if the fire goes out and will continue to feed all the pellets in the hopper into the burner area. To avoid that, be sure to switch the unit to automatic mode when the green light comes on.

When the green light is ON, the unit must be in the Automatic mode.

AUTOMATIC SAFETY FEATURES

- 1) The unit will shut down if the exhaust temperature drops below 140 degrees F. this safety feature will work only if the switch is in automatic mode.
- 2) There is a high temperature safety sensor. If the firebox temperature exceeds 200 F the appliance will automatically shut down. Should this happen, call your local dealer. You may reset the stove after the unit has cooled down by depressing the red button on the temperature sensor mounted to the top left of the convection blower. Do not operate your appliance if the high temperature sensor continues to be tripped.
- 3) If the power goes out, the unit will shut down. When the power comes back on the unit will not restart if the switch is in the automatic mode. If the switch is in the manual mode, the unit will restart but the fire may have been extinguished.
- 4) A vacuum safety switch is built into your appliance which will stop the pellets from feeding into the burn pot should the negative pressure within the stove fall below a certain level. This may be caused by the feed door not being properly latched, the ash door not closed, a flue or venting problem, or a failure of the combustion blower. In the event that your fire goes out, check the cause and correct before restarting in accordance with start up procedures.

MAINTENANCE

ROUTINE MAINTENANCE

The frequency of cleaning and maintenance of your stove depends on the fuel you are using. The amount of fly ash buildup in your stove is directly proportional to the ash content of the fuel that you are using. After a period of time (a week or so) inspect the components listed below to ensure that the appliance is operating efficiently. You will want to gauge your routine maintenance accordingly.

- 1) Ash Pan and Door Gaskets
- 2) Burn Pot
- 3) Ash Pan
- 4) Combustion Blower
- 5) Convection Blower
- 6) Exhaust Vent
- 7) Fresh Air Intake
- 8) Stove Glass
- 9) Inside Firebox Walls
- 10) Heat Exchanger Tubes
- 11) Gold Plated Doors

When cleaning the blowers be careful not to dislodge the balancing clips, or bend the blades.

Inspection and cleaning of the exhaust stack should be carried out each burn season by a qualified person.

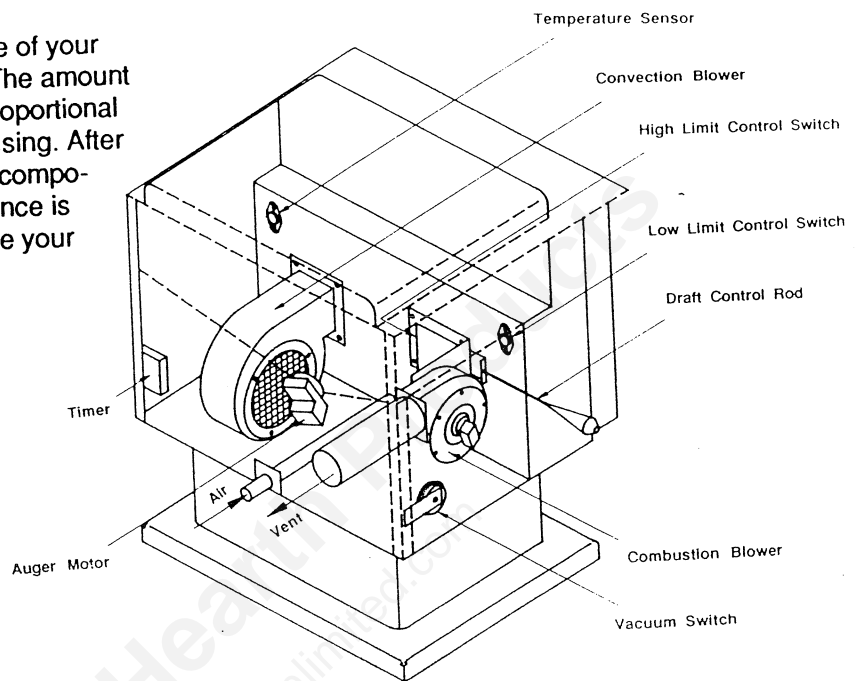
NOTE: Should any vibration sounds be heard while the stove is operating, it is recommended that you check all components to ensure that all screws are snugged up but not overtightened. Also check for worn or fully deformed gaskets.

The Following Areas Need To Be Inspected When Doing Routine Maintenance:

NOTE: The stove will need to be shut off and cooled enough to handle before routine maintenance is performed.

1) Ash Pan and Door Gaskets

The ash pan and door gasket should be checked periodically for a good mechanical seal. Place a strip of paper between the gasket and stove face. Close the door latch fully, if you are able to pull the strip of paper out with little or no force, adjust the door latch to give a tighter closed seal. Repeat this test along each side of the door. If after adjusting your latch the seal is still unsatisfactory, the gasket rope has probably become too old and is fully deformed.



Replace it immediately, contact your dealer and he will be able to supply you with the necessary parts and installation information. A proper high temperature gasket adhesive and 5/8" diameter rope gasket is required.

2) Burn Pot

This is where the pellets are burned. Every two to three days (depending on the fuel being used and the feed setting), remove the burn pot and clean out the ashes using the metal scraper provided, scrape and clean away all accumulated matter around the burn holes. It is important to the efficient running of your stove to keep these holes free from any blockages. Relocate the burn pot insert with the notched lip to the front.

3) Ash Pan

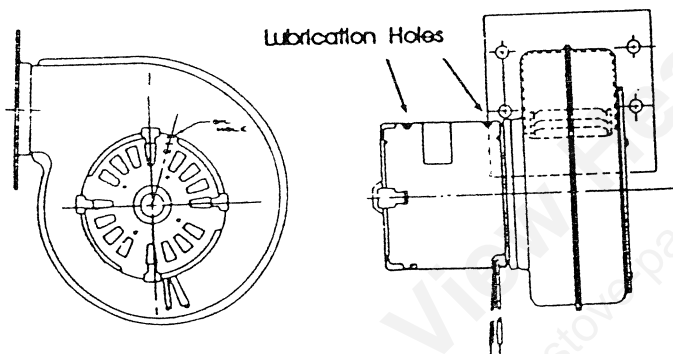
This part is located under the ashlip and locks with a spring latch mechanism. Remove it and discard the ashes in a metal container with a tight fitting lid stored away from the appliance. Different pellet fuels have different ash contents. This is a good indication of fuel efficiency. Monitor the ash every three to four days. The container of ashes should be on a non-combustible floor well away from all combustible materials pending final disposal. If the ashes are disposed of by burial in soil or otherwise locally dispersed, they should be retained in the closed container until all cinders have thoroughly cooled.

4) Combustion Blower

First disconnect the power cord and open left side panel. Using high temperature oil, put no more than one or two drops of oil in the lubricating holes. See figure below. This should be done every six months. Once a year remove the blower and clean out the accumulated soot and ash on the fan impellor, using a small brush.

5) Convection Blower

As with the combustion blower, disconnect the power cord, open the right side panel and using high temperature oil, put no more than one or two drops of oil in the lubricating holes. See figure below. This should be done every 6 months. Remove the blower once a year to inspect it and to clean the impellor using a small brush.



Convection & Combustion Blowers

6) Exhaust Vent

This vent should be checked every year and cleaned when necessary. A small amount of soot or creosote may accumulate when operated under incorrect conditions.

7) Fresh Air Intake

Inspect periodically to be sure that it is not clogged with any foreign materials.

8) Stove Glass

The glass and glass gasket should be checked periodically for air tightness, by pinching tight any loose screws. If the glass is broken it must be replaced before the stove is used again. See page 12 for glass installation information.

9) Inside Firebox Walls

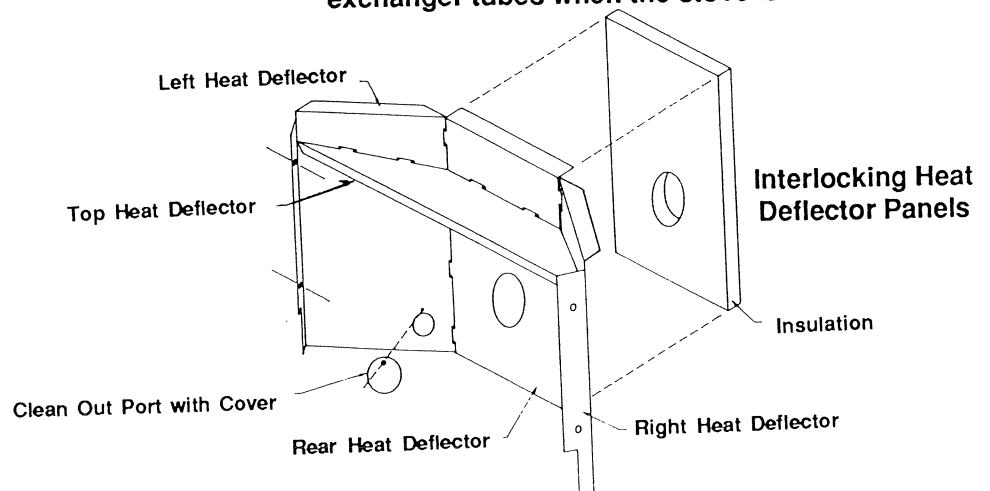
Every week vacuum out the ash from behind the two disc shaped port holes in the heat deflector panels. Every couple of weeks remove the brick panels (if installed), the top deflector plate, the rear steel wall and insulation by loosening the two retainer screws on the inner steel walls. Below the pellet discharge tube is an open port hole again vacuum out any accumulated ashes. At the same time check the heat exchanger tubes (see item 11 below.) Reassemble in reverse order, being careful not to damage the insulation.

10) Gold-Plated Doors

The gold electroplated finish on the door requires little maintenance, and need only be cleaned with a damp cloth. DO NOT use abrasive materials or chemical cleaners, as they may harm the finish and void the warranty.

11) Heat Exchanger Tubes

For optimum efficiency, Regency recommends that the heat exchanger tubes be cleaned every time you start your stove. To clean the heat exchanger tubes, pull on the handle above the door, and then push back, repeat 3 or 4 times. **Only clean the heat exchanger tubes when the stove is cold.**



MAINTENANCE

END OF SEASON MAINTENANCE

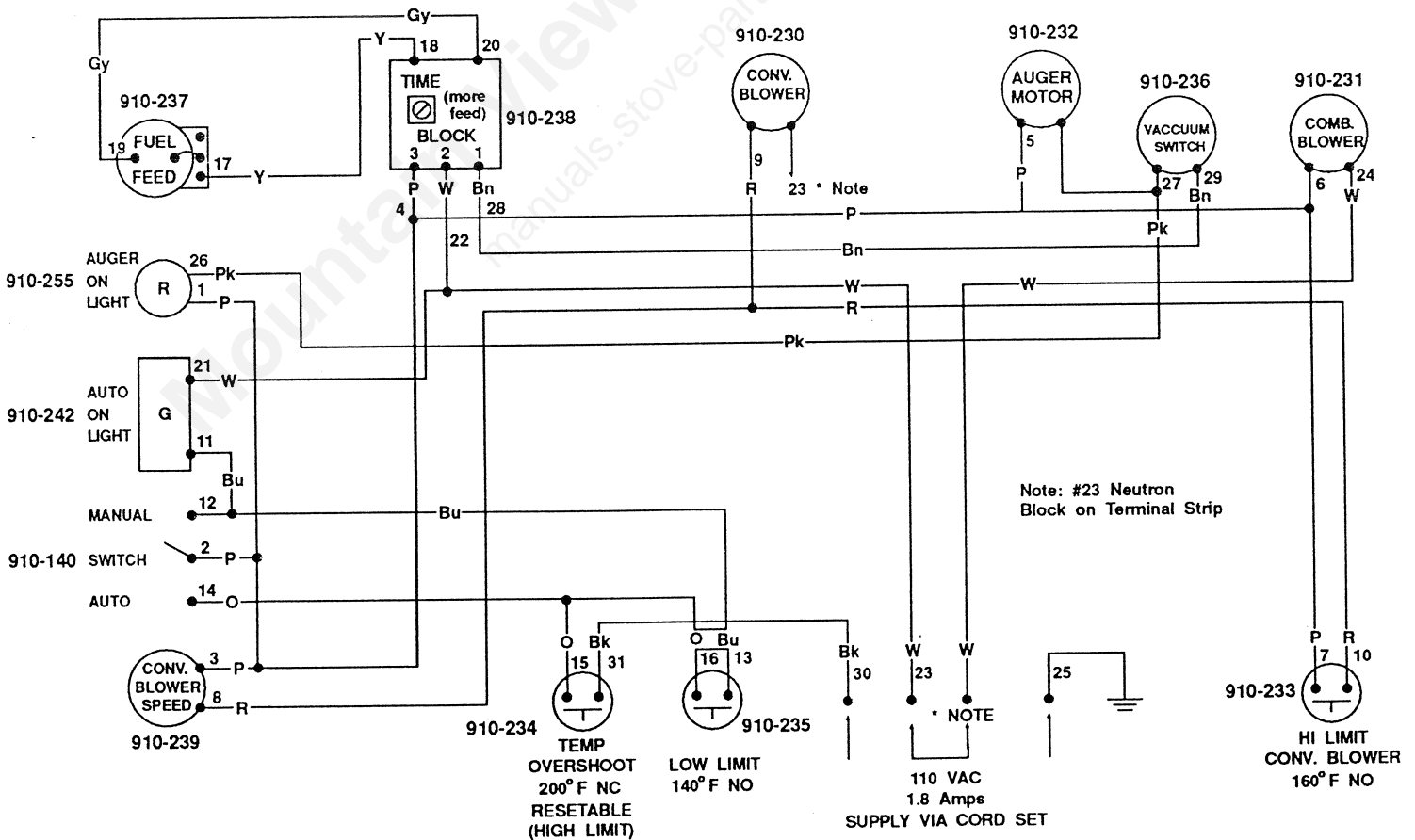
Once you have finished using the pellet appliance for the year, it is very important that it be cleaned and serviced as stated above, as well as completely emptying the hopper and auger of pellets. Using an oiled cloth or oil spray bottle, lubricate the following parts.

- the burnpot
- the heat exchanger tube
- the latch mechanism of the ash pan
- the door latch
- the hopper lid hinges
- the door hinges
- the unit's left and right side door panel hinges.

Failure to do so may result in rust formation on these components causing them to seize. Since this procedure is beyond Regency Industries Ltd.'s control we assume no liability nor grant any guarantee on such failures.

Wiring Diagram

Wire Colours:	#1 Purple	#5 Yellow	#9 Pink
	#2 Red	#6 Gray	#10 Brown
	#3 Blue	#7 White	#11 Black
	#4 Orange	#8 Green	



TROUBLE SHOOTING GUIDE

A) Fire burns with lazy, orange flame. Pellets build up in the burn pot and the window gets sooted up.

Cause:

- 1) Insufficient combustion air.
- 2) Low grade fuel.
- 3) Restrictive exhaust or venting problem.

Solution:

- 1) Remove any clinkers or ash from the bottom of the burn pot that might be obstructing the primary air holes. Change to a better grade of fuel if necessary.
- 2) Check gasket seal around the door. Use a thin strip of paper, 1" wide. Open the door and close it on the paper strip. A slight friction should be felt when the paper strip is pulled. Repeat at various positions around the door gasket. A small adjustment can be made to the door seal by adjusting the door latch. Replace the door gasket if necessary.
- 3) Check that the ash pan is locked in the correct position and check the gasket seal around the ash pan in the same manner as 2). Replace the ash pan gasket if necessary.
- 4) Check for blockage in the air inlet tube or exhaust pipe.
- 5) Check the firebox draft pressure with a manometric pressure gauge, (available from your authorized Regency dealer). With the damper readjusted, no fire burning, clean burn pot and fuel in the hopper, the gauge should read - 1.4 in. water gauge.
- 6) Check ash buildup behind the side firewalls. Clean out if necessary.
- 7) Check combustion blower impellor as outlined in Routine Maintenance.

B) Fire goes out.

Cause:

- 1) Hopper is empty.
- 2) Fuel setting too low and/or damper out too far.
- 3) Pellets not feeding.
- 4) High limit temperature switch has tripped.

Solutions:

- 1) Check hopper and add fuel if necessary.
- 2) Relight stove with higher setting on fuel control or adjust Auger "ON" timer from 1.5 to 2 seconds, see page 14. It may not be possible to operate the stove on the minimum setting due to the wide range of fuel feed rates with different pellets the stove is designed to operate with. The minimum feed rate that the stove will normally operate at is approximately 1.3 lb. per hour.
- 3) If Pellets do not feed - see that section below.
- 4) Allow stove to cool for 1 hour and relight. If the stove has been operating at a medium to high burn and the convection fan has been turned down low, then the fan should be turned up higher. If this problem persists particularly at lower burn rates, then the high limit snap switch should be replaced by your authorized Regency dealer.

TROUBLE SHOOTING GUIDE

C) Pellets will not feed.

Cause:	Solutions:
1) Hopper is empty.	1) Check contents of the hopper. Add fuel if necessary.
2) No power to the auger motor.	2) Line voltage to blower has dropped, negative pressure is below 0.15". If you suspect the voltage is below 115 VAC consult your dealer for verification.
3) Auger motor set screw is loose.	3) Tighten auger motor set screw.
4) Plugged vacuum hose/nipple	4) Inspect hose/nipple and clean out.
5) Vacuum switch has been tripped.	5) Check for blockage in the exhaust vent system or combustion fan failure.
6) Vacuum switch failed in open position	6) Replace vacuum switch if necessary.
7) Auger is jammed.	7) Remove the rear ventilation panel, hold auger motor gearbox in both hands and rock it back and forth to release the auger. If this is unsuccessful, then remove the auger by first removing the auger motor and the auger bushing plate, clear the auger of the foreign material, and reassemble the auger system.
8) Auger motor is defective.	8) Check that there is power to the auger motor with a volt meter. If there is power and the auger is not jammed, but the motor will not turn, then replace the auger motor.

D) Pellet feed at maximum whatever the control setting.

Cause:	Solutions:
1) Fuel control knob is loose and fuel feed is set on high	1) Tighten fuel control knob at the proper position on the post with small screw driver.
2) Solid state timer is defective	2) Replace solid state timer.
3) Faulty potentiometer	3) Replace potentiometer.

E) Stove runs for 30 minutes and then shuts down.

Cause:	Solutions:
1) Exhaust gas temperature has not reached 140 deg.F.	1) Restart the stove if necessary.
2) Wires to either the low limit snap switch or high limit snap switch, mounted on the back of the firebox, are loose or disconnected.	2) Check wires between the snap switches and the terminal block. Make sure there are good connections between the wires and their terminals.
3) Low limit snap switch, mounted on the combustion duct, is not operating correctly.	3) Replace low limit switch.

TROUBLE SHOOTING GUIDE

F) Stove shuts down automatically when it is operating at a low to medium burn.

Cause:

- 1) Over shoot switch is opening at too low of a temperature.

Solutions:

- 1) Replace over shoot snap switch.

G) Blowers will not shut off after the fuel has been switched off and the stove has cooled down.

Cause:

- 1) Switch is in the manual setting.
- 2) Low limit snap switch has failed in the closed position.

Solutions:

- 1) Set the switch to Auto.
- 2) Replace low limit snap switch if necessary.

H) Soot or fly ash in the house.

Cause

- 1) Cleaning the window, particularly when the stove is operating.
- 2) Leakage at the joints between the combustion fan, exhaust pipe, and the 'PL' vent. This will be evident by the dust on the impellor of the convection fan.

Solutions:

- 1) Turn down the convection fan before cleaning to prevent dispersion into the room.
- 2) Seal up any leaks in the exhaust system, with RTV high temperature silicone sealer.

I) Convection blower will not operate when the start switch is on the Manual setting.

Cause

- 1) Stove is not plugged in.
- 2) Over shoot switch has not been reset.
- 3) Over shoot switch has failed in the open position.
- 4) Electrical connections.
- 5) Faulty speed controller.
- 6) Faulty convection blower.

Solutions:

- 1) Plug stove into wall outlet.
- 2) Press red reset button on over shoot switch to reset.
- 3) Replace over shoot switch if necessary.
- 4) Check wires and connectors for continuity.
- 5) Replace speed controller if necessary.
- 6) Replace convection blower if necessary.

TROUBLE SHOOTING GUIDE

J) Combustion blower will not operate when the start switch is on manual setting.

Cause	Solutions:
1) Stove is not plugged in.	1) Plug stove into wall outlet.
2) Over-shoot switch has not been reset.	2) Press red reset button on over-shoot switch to reset.
3) Over-shoot switch has failed in the open position.	3) Replace over-shoot switch if necessary.
4) Electrical connections.	4) Check wires and connectors for continuity.
5) Faulty combustion blower.	5) Replace combustion blower if necessary.
6) Vacuum switch open.	6) Vacuum switch stuck in open position, replace it.
	7) Check and clear blocked exhaust system.

NOTE: When the stove is cold and the start switch is in the AUTO setting, the stove will not function.

WARRANTY

Regency Industries Limited warrants this Regency pellet unit to be free from defects in workmanship and material to the original purchaser. The insert is protected by the warranty for five years from date of purchase on all steel manufactured parts and a one year warranty on all electrical components - note exclusions below. Any part or parts of this unit which in our judgement show evidence of such defect will be repaired or replaced through an accredited distributor provided that the defective part shall be returned to the distributor, transportation prepaid.

This warranty shall not apply to any part that has been tampered with or altered in any way, or which in our judgement has been subjected to misuse, negligence or accident, or which has the serial number effaced, altered or removed. The limited warranty covers defects in materials and workmanship as long as the product has been installed according to the manual's instructions.

The consumer should be aware that the pellet appliance needs setting using tools that he/she may not have. Consult a Regency dealer for details. It is recommended that only an authorized Regency dealer install a Regency Pellet Stove. There will be no warranty coverage on parts destroyed or burnt-out as a result of a consumer installation error or defect.

Exclusions: This warranty shall not include or extend to paint, glass, gasketing, logs and does not cover installation and operational related problems such as over-firing, use of unapproved fuel, down drafts or spillage caused by environmental conditions, near-by trees, buildings, roof tops, hills, mountains, inadequate ventilation, excessive offsets, negative air pressures caused by mechanical systems such as furnaces, fans, clothes driers etc.

Fill out information below and keep for future reference:

DATE PURCHASED _____

MODEL: Regency Pellet Stove SERIAL NO. _____

DEALER'S NAME & ADDRESS _____

REGENCY INDUSTRIES LIMITED
7830 Vantage Way
Delta, B.C. V4G 1A7

Customer: Please Fill Out and Mail.
This will establish your Regency Warranty

Date: _____

Name: _____

Address: _____

Prov. or State: _____ Postal or Zip: _____

Dealer's Name: _____

Address: _____

Model: Regency Pellet Stove Serial No: _____