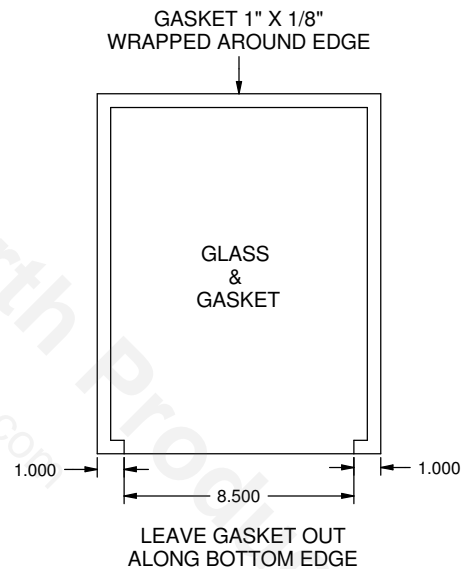
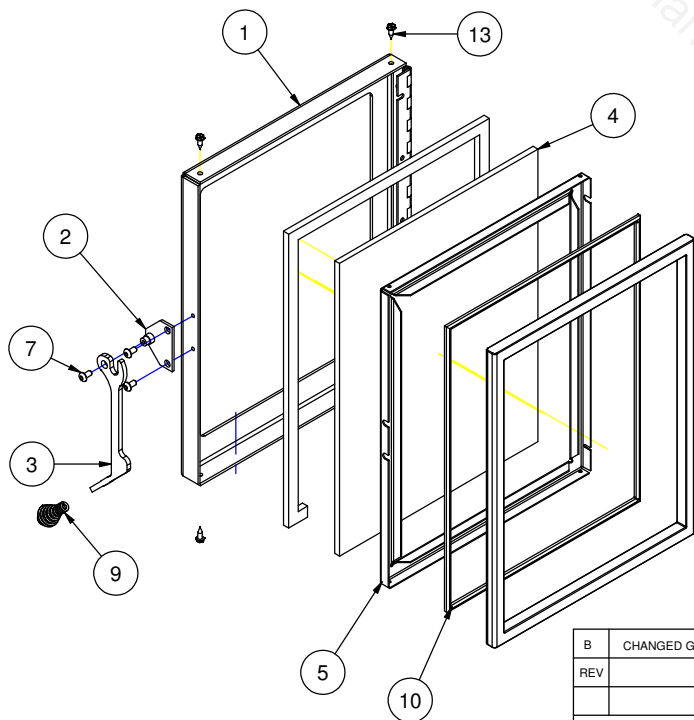


NOTES:

1. GASKET GLASS, AS SHOWN, STARTING 1" IN FROM THE BOTTOM CORNER. WRAP THE GASKET AROUND THE EDGE OF THE GLASS, SO THE GASKET IS ON BOTH SIDES WITH THE BOTTOM OF THE GLASS OPEN AS SHOWN.
2. SLIDE THE GLASS IN THE DOOR, WITH THE PART WITHOUT GASKET TO THE BOTTOM OF THE DOOR. PLACE GLASS RETAINER IN THE DOOR AS SHOWN AND SCREW RETAINER IN PLACE.
3. APPLY A 3/16" BEAD OF RED SILICONE IN THE CENTER OF THE GLASS RETAINER.
4. START THE DOOR GASKET IN THE CENTER OF THE CHANNEL ON THE HINGE SIDE OF THE DOOR. USE FIBERGLASS TAPE ON BOTH ENDS OF THE DOOR GASKET.

DRAWING NO.: 80P52948

Parts List			
ITEM	QTY	PART NUMBER	DESCRIPTION
1	1	80P52947	DOOR WELDMENT
2	1	80P53677	MOUNT PLATE ASSY.
3	1	80P53773	DOOR HANDLE
4	1	80P52375	DOOR GLASS
5	1	80P52357	GLASS RETAINER
7	3	10-24X3-8BSHCS	#10 X 3/8 SCREW
9	1	80P20131	SMALL BRASS COIL
10	46"	HB1000	3/16" X 46" BEAD RED SILICONE
11	50"	80P20132	DOOR GASKET
12	1	80P20132-50	DOOR GASKET
13	4	50-01-00156	#8 X 1/2 SELF PIERCING SCREW
14	38"	80P20022	GLASS GASKET - HASTINGS



B	CHANGED GLASS GASKET AND ADDED SILICONE	TLK	11-15-12	DIMENSIONS ARE IN INCHES UNLESS OTHERWISE SPECIFIED	EVEN TEMP INC. Highway 34 Waco, Nebraska 68460	DESCRIPTION: DOOR ASSEMBLY - COMPLETE	
REV	DESCRIPTION	INIT	DATE			3 PLACE ±.015	2 PLACE ±.030
REVISION RECORD							
THIS DRAWING IS THE PROPERTY OF EVEN TEMP INC. ANY UNAUTHORIZED USE OR REPRODUCTION IS PROHIBITED				MATERIAL:		DRAWN BY:	9/14/2005
				GAUGE OR THICKNESS:		CHKD BY:	REVISION: B
				FINISH:		DESIGNER: T. KRUMREI	DRAWING NO.: 80P52948
				FILE: 80P52948.iam		NOTES:	SHEET: 1 OF 1