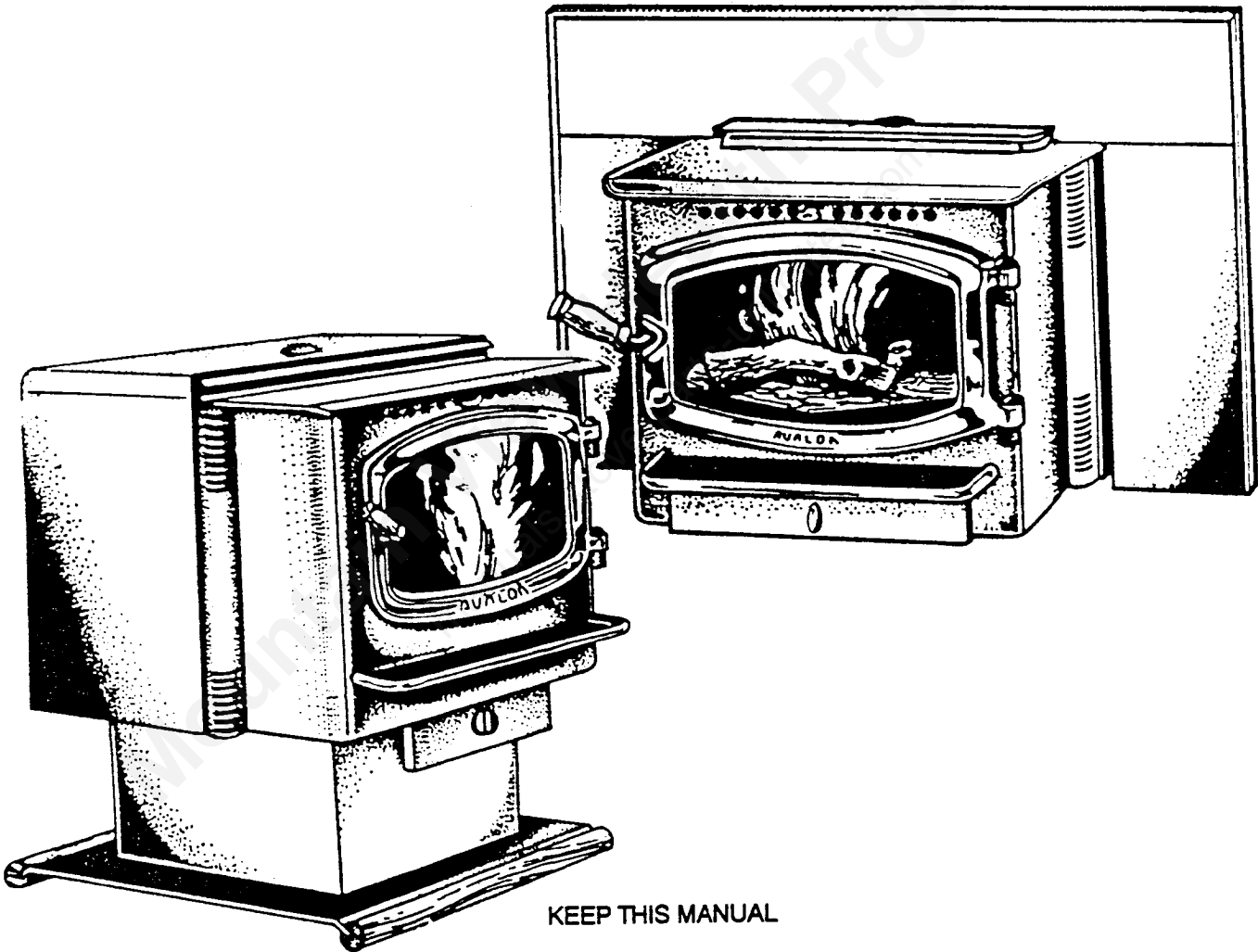


AVALON

900 PS - PELLET STOVE

900 PI - PELLET INSERT

PREPARATION, INSTALLATION, OPERATION AND MAINTENANCE MANUAL



KEEP THIS MANUAL

August, 1991

Manufactured By:



Travis Industries, Inc.

10850 117th Place N.E. Kirkland, WA 98033

© Copyright 1991 T.I.

SAFETY PRECAUTIONS

- VIEWING DOOR AND ASHPAN MUST BE CLOSED AND LATCHED DURING OPERATION.
- THIS UNIT MUST BE PROPERLY INSTALLED IN ORDER TO PREVENT THE POSSIBILITY OF A HOUSE FIRE. FOR YOUR SAFETY THE INSTALLATION INSTRUCTIONS MUST BE STRICTLY ADHERED TO. DO NOT USE MAKESHIFT METHODS OR COMPROMISE INSTALLATION.
- CONTACT YOUR LOCAL BUILDING OFFICIALS TO OBTAIN A PERMIT AND INFORMATION ON ANY INSTALLATION RESTRICTIONS OR INSPECTION REQUIREMENTS IN YOUR AREA. ALSO, NOTIFY YOUR INSURANCE COMPANY THAT YOU ARE INSTALLING A PELLET BURNING APPLIANCE.
- THIS UNIT'S EXHAUST SYSTEM WORKS WITH A NEGATIVE COMBUSTION CHAMBER PRESSURE AND A LOW POSITIVE CHIMNEY PRESSURE. IT IS VERY IMPORTANT THAT THE EXHAUST SYSTEM BE COMPLETELY AIRTIGHT AND PROPERLY INSTALLED. THE CHIMNEY JOINTS SHOULD BE SEALED WITH RTV 500 DEGREES FAHRENHEIT (500° F) (260° C) SILICONE SEALANT. IMPROPERLY INSTALLED STOVES ARE THE MAJOR CAUSE OF HOME FIRES.
- NEVER BLOCK FREE AIRFLOW THROUGH THE OPEN VENTS OF THE UNIT.
- NEVER TRY TO REPAIR OR REPLACE ANY PART OF THE APPLIANCE UNLESS INSTRUCTIONS ARE GIVEN IN THIS MANUAL. ALL OTHER WORK SHOULD BE DONE BY A TRAINED TECHNICIAN.
- WAIT UNTIL THE APPLIANCE HAS COOLED BEFORE CARRYING OUT MAINTENANCE PROCEDURES.
- TRAVIS INDUSTRIES, INC. GRANTS NO WARRANTY, IMPLIED OR STATED, FOR THE INSTALLATION OR MAINTENANCE OF YOUR STOVE, AND ASSUMES NO RESPONSIBILITY FOR ANY CONSEQUENTIAL DAMAGE(S).
- DO NOT INSTALL IN A BEDROOM.
- KEEP FOREIGN OBJECTS OUT OF THE HOPPER.
- ALWAYS FOLLOW THE INSTRUCTIONS IN THE OWNER'S MANUAL.
- KEEP THIS MANUAL FOR LATER USE.
- THE **AVALON 900** APPLIANCE IS DESIGNED AND APPROVED FOR THE BURNING OF PELLETIZED WOOD FUEL ONLY. THE BURNING OF ANY TYPE OF FUEL OTHER THAN THAT LISTED WILL VOID ALL WARRANTIES AND THE SAFETY LISTING OF THE UNIT. DO NOT ATTEMPT TO BURN ANY OTHER FUEL THAN SPECIFIED IN THIS MANUAL.
- THE EXHAUST SYSTEM SHOULD BE CHECKED TWICE A YEAR MINIMUM FOR ANY BUILD-UP OF SOOT OR CREOSOTE.
- GASOLINE OR OTHER FLAMMABLE LIQUIDS MUST NEVER BE USED TO START THE FIRE OR "FRESHEN UP" THE FIRE. DO NOT STORE OR USE GASOLINE OR OTHER FLAMMABLE LIQUIDS IN THE VICINITY OF THIS APPLIANCE.
- ASHES MUST BE DISPOSED OF IN A METAL CONTAINER WITH A TIGHT FITTING LID, AND PLACED ON A NON-COMBUSTIBLE SURFACE BEFORE FINAL DISPOSAL.
- THIS UNIT MUST BE CONNECTED TO A GROUNDED, STANDARD 110 VOLT, 60 HZ ELECTRICAL OUTLET. NEVER ROUTE THE POWER CORD UNDER OR IN FRONT OF THE UNIT.
- DO NOT, UNDER ANY CIRCUMSTANCES, CUT OR REMOVE THE GROUNDING PRONG FROM THE POWER CORD.
- DO NOT USE AN ADAPTOR PLUG.
- BEFORE REMOVING PANELS, DISCONNECT THE POWER CORD FROM THE ELECTRICAL OUTLET. NOTE: TURNING THE CONTROL SWITCH OFF DOES NOT DISCONNECT THE POWER TO ALL ELECTRICAL COMPONENTS.
- WHEN INSTALLED IN A MOBILE HOME, THE UNIT MUST BE GROUNDED TO THE STEEL CHASSIS OF THE MOBILE HOME AND BOLTED TO THE FLOOR IN COMPLIANCE WITH AND ACCORDING TO H.U.D. REQUIREMENTS.
- THE APPLIANCE WILL NOT OPERATE USING NATURAL DRAFT OR WITHOUT A POWER SOURCE FOR THE BLOWERS AND FUEL-FEEDING SYSTEMS.

Introduction and Important Information -----	1
Safety Precautions -----	2
Features and Specifications - Stove & Insert -----	4
STOVE INSTALLATION:	
Preparation for Installation -----	5
Freestanding Installation Specifications -----	7
Horizontal Corner Installation -----	9
Vertical Exterior Flue Installation -----	10
Inside Vertical Installation with Roof Termination -----	11
Hearth Stove Installation into existing Masonry Fireplace or Zero Clearance (Metal) Fireplace -----	12
Vertical Installation into existing Factory-Built Chimney -----	13
Horizontal Installation -----	14
Freestanding Mobile Home Installation -----	15
Freestanding Residential Alcove Installation -----	16
INSERT INSTALLATION:	
Preparation For Installation -----	17
Insert Installation Specifications -----	19
Insert Installation into Existing Masonry Fireplaces -----	22
Insert Installation into Existing Metal (Z.C.) Fireplaces -----	24
USE AND CARE: Pellet Stove and Pellet Insert	
Location and Use of Controls -----	25
Operating your Pellet Appliance -----	26
Normal Operating Sounds -----	28
Care and Maintenance -----	29
Maintenance Schedule - Weekly -----	30
Maintenance Schedule - 1000 lbs (1/2 ton) of Fuel Used -----	31
Maintenance Schedule - 6000 lbs (3 tons) of Fuel Used -----	32
Before Calling for Service -----	36
Replacement Parts List -----	39
Limited Warranty -----	40
Product Listing Information -----	41

FEATURES AND SPECIFICATIONS

* FREESTANDING

* ALCOVE

* MOBILE HOME

* MASONRY FIREPLACE INSERT

* FACTORY-BUILT (Z.C.)
FIREPLACE INSERT

CONVENIENT

LONG BURN TIME

VERSATILE

CLOSE CLEARANCES

DURABLE

POWERFUL EFFICIENT FANS

SUPERIOR AUGER SYSTEM

HUGE HOPPER

STAINLESS STEEL FIREPOT

QUIET OPERATION

<u>Stove</u>	<u>Insert</u>
Heating Capacity SQ/FT	1200 to 1900 Maximum
Burn Rate lbs/hr	1.2 to 5
Overall Efficiency	80% (Estimated)
Emissions Grams/per hour	N/A (EPA Exempt)
Maximum Burning Time (Hours)	Up to 50
Flue Opening Diameter	3.0" (76 mm)
Height from floor to top of stove on:	
Pedestal	32 5/8" (829 mm)
Legs, Brass	28 7/8" (733 mm)
Legs, Cast	28 7/8" (733 mm)
Legs, Black	27 1/2" (699 mm)
Overall Width	26 1/8" (664 mm)
Overall Depth (Add 2 1/4" for flue)	25 1/4" (641 mm)
Hopper Capacity (lbs)	60 (27 KG) (Estimated)
Unit Weight (lbs)	260 (118 KG)
Electrical Rating	115 Volts, 3 Amps, 60 HZ
Watts	180 (Approx.)
	1200 TO 1900 Maximum
	1.2 to 5
	80% (Estimated)
	N/A (EPA Exempt)
	Up to 41
	3.0" (76mm)
	Depth Into Fireplace
	12 1/4 " (311mm)
	Extension on to Hearth
	12 7/8" (326mm)
	Width into Fireplace *
	29 3/4 " (756mm)
	Overall Height (Add 1" for flue)....
	19 " (483mm)
	24 1/4 " (616 mm)
	25 1/4 " (641mm)
	50 (23 KG) (Estimated)
	240 (109 KG)
	115 Volts, 3 Amps, 60 HZ
	180 (Approx.)

FUEL: The unit is designed to operate using 1/4 inch diameter pellets that comply with A.P.F.I.* standards. If the fuel does not comply to this standard, the unit may not operate as designed. If the pellets are larger than 1/4 inch diameter the unit may need adjustments; consult with your dealer.

- NOTE:**
- Store pellets in a clean dry place.
 - Emissions information and efficiency information based on tests conducted by E.E.M.C. Laboratory. BTU. output will vary depending on pellet size, moisture content and pellet type. Heating capacity is subject to variations due to pellet type, relative moisture content, floor plan, degree of home insulation, and temperature zone.
 - A.F.P.I. - Association of Pellet Fuel Industries.

* See Page 19 for exact fireplace sizing

PREPARATION FOR INSTALLATION — PELLET STOVE

READ THIS ENTIRE MANUAL BEFORE YOU INSTALL AND USE YOUR NEW APPLIANCE. FAILURE TO FOLLOW INSTRUCTIONS MAY RESULT IN PROPERTY DAMAGE, BODILY INJURY, OR EVEN DEATH.

PREPARATION:

1. Remove all tape and packaging.
2. Remove the wood shipping frame from around and under the appliance.
3. Check that no parts have become loose and the appliance has not been damaged during shipping.
4. Remove the hardware pack from the appliance.
5. **READ THE OWNER'S MANUAL BEFORE PROCEEDING.**

* Appliance should be located such that no doors, drapes, furniture or other combustibles can be placed close or swing closer than the minimum stated clearances.

* The appliance must be installed in a level, secure position.

* Required Floor Protection:

Minimum size 26 1/8"W x 31 1/2"D (664mmW x 800 mmD) of non-combustible material with a minimum thickness of 26 gauge (.018", .5mm) floor protection must extend under the appliance.

Front - 6" (152 mm)
Sides - 0" (0 mm)
Back - 0" (0 mm)

Chimney Lengths	Maximum	Minimum
Vertical	33' (10.06 m)	Subject to installation. See Fig. 9
Horizontal	10' (3.05 m)	Subject to installation. See Fig. 4&9

* Do not obtain combustion air from attic, garage, unventilated crawl space or any other enclosed space. Do not locate combustion air inlet at an elevation higher than exhaust termination.

* Outside air (combustion air intake) is recommended, but not required, for all residential installations, but is required for mobile home installations. If an outside air intake (combustion air intake) is used, it must be connected to a 1-3/4", or larger, metal or aluminium duct with a rodent screen fixed to the termination. **Do not use P.V.C .duct.**

NOTE: TRAVIS INDUSTRIES, INC., recommends that an outside air (combustion air) intake be used in all installations. If one is not used, there is a possibility of combustion gases (smoke) being released into your home, if there is a power outage while the unit is in operation.

* The **AVALON 900** pellet stove exhaust vent accepts 3" diameter pellet vent pipe. Some of the brands available for use with the **AVALON 900** are:

- | | | |
|---|---|---|
| 1. Duravent Model PL-Vent
Simpson Dura-Vent
P.O. Box 1510
Vacaville, CA 95688
(707) 446-1786 or
1-800-227-8846 | 2. James A. Ryder MFG Model PL-Vent
Ryder Mfg., Inc.
241 Arvin Avenue
Stoney Creek, Ontario Canada
(416) 662-1701 | 3. MetalFab Model Pellet Vent
P.O. Box 1138
Wichita, KS 67201
(316) 943-2351 |
|---|---|---|

NOTE: 4" diameter may be substituted when a 3" to 4" adapter is used.

See manufacturer's installation instructions for precautions required for passing vent through a combustible wall or ceiling. Do not connect this appliance to a vent serving another appliance.

All sections of pellet vent must be fastened to each other with sheet metal screws and silicone sealed with type 500 degrees Fahrenheit (260°C) RTV (high heat) silicone sealer, to ensure that the joints are airtight.

PREPARATION FOR INSTALLATION — PELLET STOVE (cont.)

Your Pellet Stove appliance comes completely assembled. Options are available for the different types of installations. The options are listed below and are boxed separately from the appliance. They require assembly.

1. Pedestal.
2. Leg Kit, Black.
3. Leg Kit, Brass.
4. Leg Kit, Cast Black

When lifting the appliance, you may choose to remove the interior components to make it lighter. Refer to figures 14, 15 and 16 for the proper sequence of removal and replacement of internal components.

1. Pedestal Assembly:

Open the box marked **Pedestal** and remove the pedestal and the two attachment bolts and washers (3/8" diameter - 16 x 3/4" hex. head bolt).

Lift the stove onto the pedestal. Line up the threaded bolt holes in the bottom of the stove with the two holes in the mounting angle of the pedestal. Using a 9/16" open-end or socket wrench, fasten the pedestal to the stove with the supplied bolts and washers. NOTE: The two front leg bolts must remain in place when installed on a pedestal.

2. Leg Kit, Black Assembly:

Open the box marked **Leg Kit, Black** and remove the four 6-1/2" high black steel legs, complete with leveling bolts, the four attachment bolts (3/8" diameter - 16 x 3/4" hex. head bolts) and the washers.

Raise the stove on some pieces of lumber to a height of about 7". Line up the hole in the leg with the threaded bolt hole in each corner of the stove bottom. Using a 9/16" open end or socket wrench, fasten the leg to the stove with the supplied bolts and washers, making sure the legs are flush with the corners of the stove.

Stand the stove on its legs and place it in the desired position. Using a 3/8" open end wrench, adjust the leveling bolts in the base of each leg until the stove is level and does not rock.

3. Leg Kit, Brass or Cast Black Assembly:

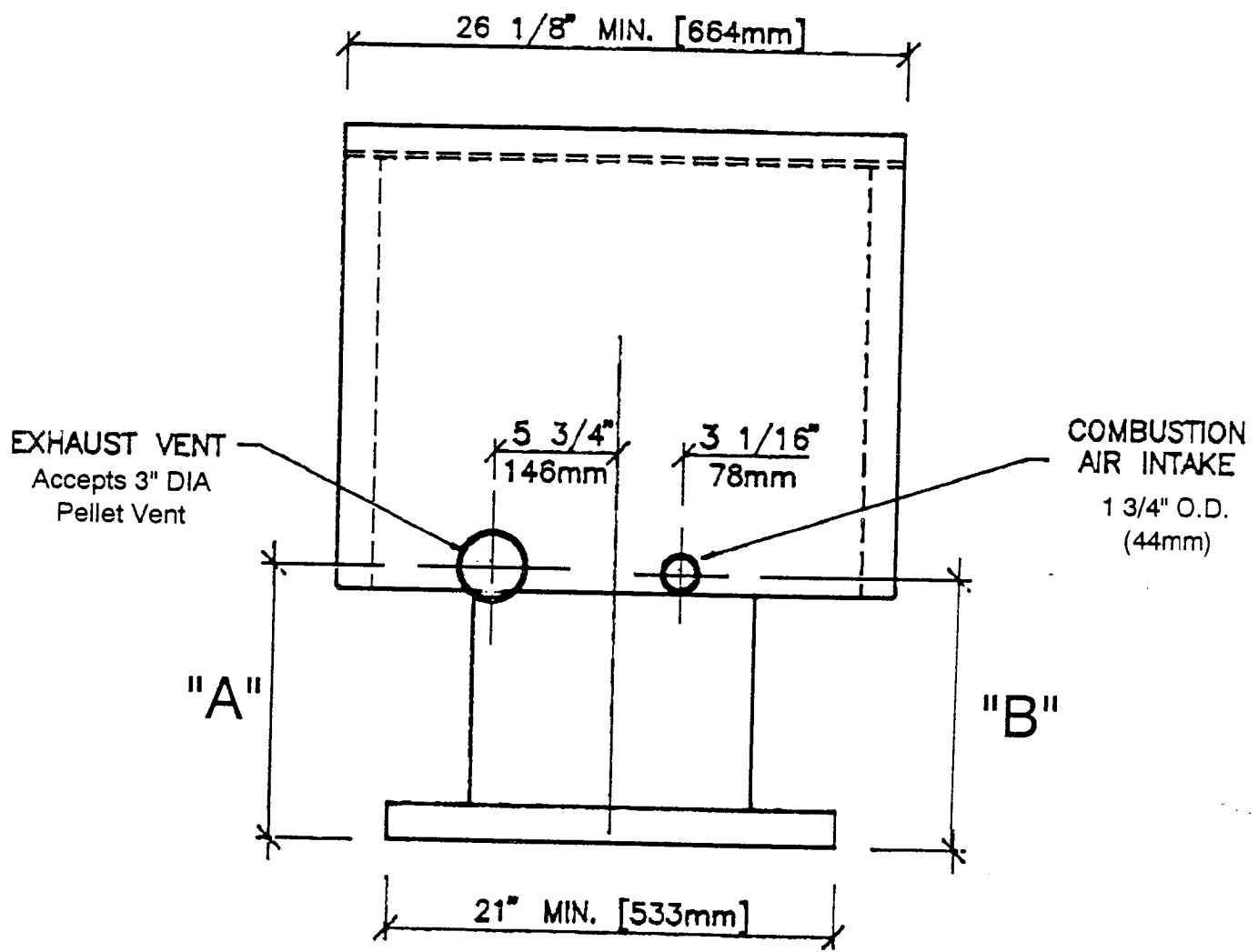
Open the box marked **Leg Kit, Brass (or Cast)** and remove the four 7-7/8" high legs, complete with leveling bolts, the four attachment bolts (3/8" diameter - 16 x 3/4" hex. head bolts) and the washers.

Raise the stove on some pieces of lumber to a height of about 8-1/2". Line up the hole in the leg with the threaded bolt hole in each corner of the stove bottom. Using a 9/16" open end or socket wrench, fasten the leg to the stove with the supplied bolts and washers, making sure the legs are flush with the corners of the stove.

Stand the stove on its legs and place it in the desired position. Using a 1/4" open end wrench, adjust the leveling bolts in the base of each leg until the stove is level and does not rock.

FREESTANDING INSTALLATION - SPECIFICATIONS

LOCATION OF EXHAUST VENT AND OUTSIDE COMBUSTION AIR INTAKE



	<u>"A"</u>	<u>"B"</u>
PEDESTAL	13 7/8" (352mm)	14 1/2" (368mm)
LEGS, BRASS	9 3/4" (248mm)	10 7/8" (276mm)
LEGS, CAST	9 3/4" (248mm)	10 7/8" (276mm)
LEGS, BLACK	8 3/8" (213mm)	9 1/2" (241mm)

FIGURE 1

FREESTANDING INSTALLATION SPECIFICATIONS (cont.)

FLOOR PROTECTION (Fig. 2 & 3)

G - Front - 6" - (152 mm) NOTE: Front floor protection is measured from the door opening.
 H - Sides - 0" - (0 mm)
 H - Back - 0" - (0 mm)

NOTE: Floor protector should extend to areas below and 2" (50 mm) to each side of a "tee" when used.
 (See Fig. 6)

CLEARANCE TO COMBUSTIBLES:

INTERIOR VERTICAL FLUE INSTALLATION:

Figures 2 & 3

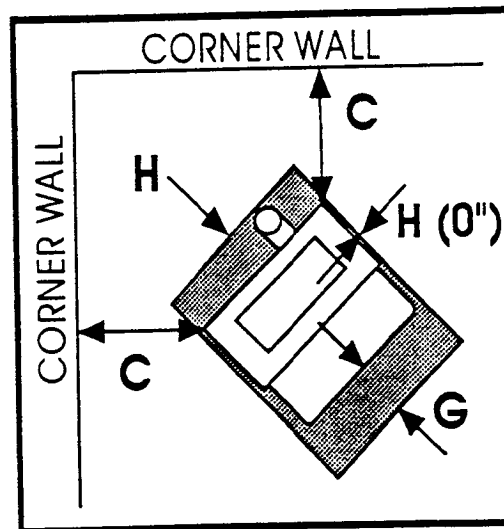
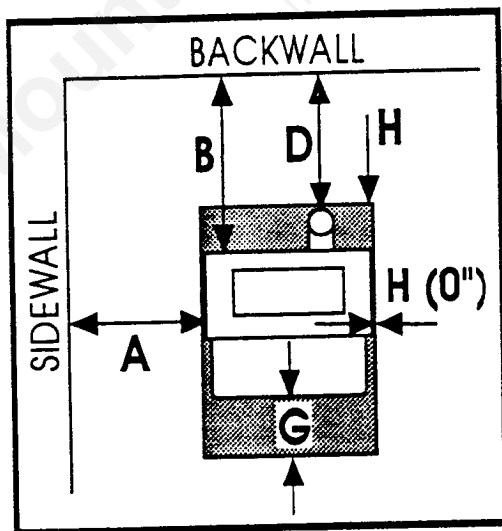
A Sidewall to unit	9" - (229 mm)
B Backwall to unit	11" - (279 mm)
C Corner wall to unit	2" - (51 mm)
D Flue vent/chimney	3" - (76 mm)

NOTE: Dimension "C" , corner to unit, will vary depending on type and brand of pellet vent used. Check your installation instructions for information on its size and clearance required to a combustible.

HORIZONTAL THROUGH THE WALL INSTALLATION OR VERTICAL EXTERIOR INSTALLATION

Figures 2 & 3

A Sidewall to unit	9" - (229 mm)
B Backwall to unit	3" - (76 mm)
C Corner Wall to unit	2" - (51 mm)
D Flue vent/chimney	3" - (76 mm)



FIGURES 2 & 3

HORIZONTAL CORNER INSTALLATION

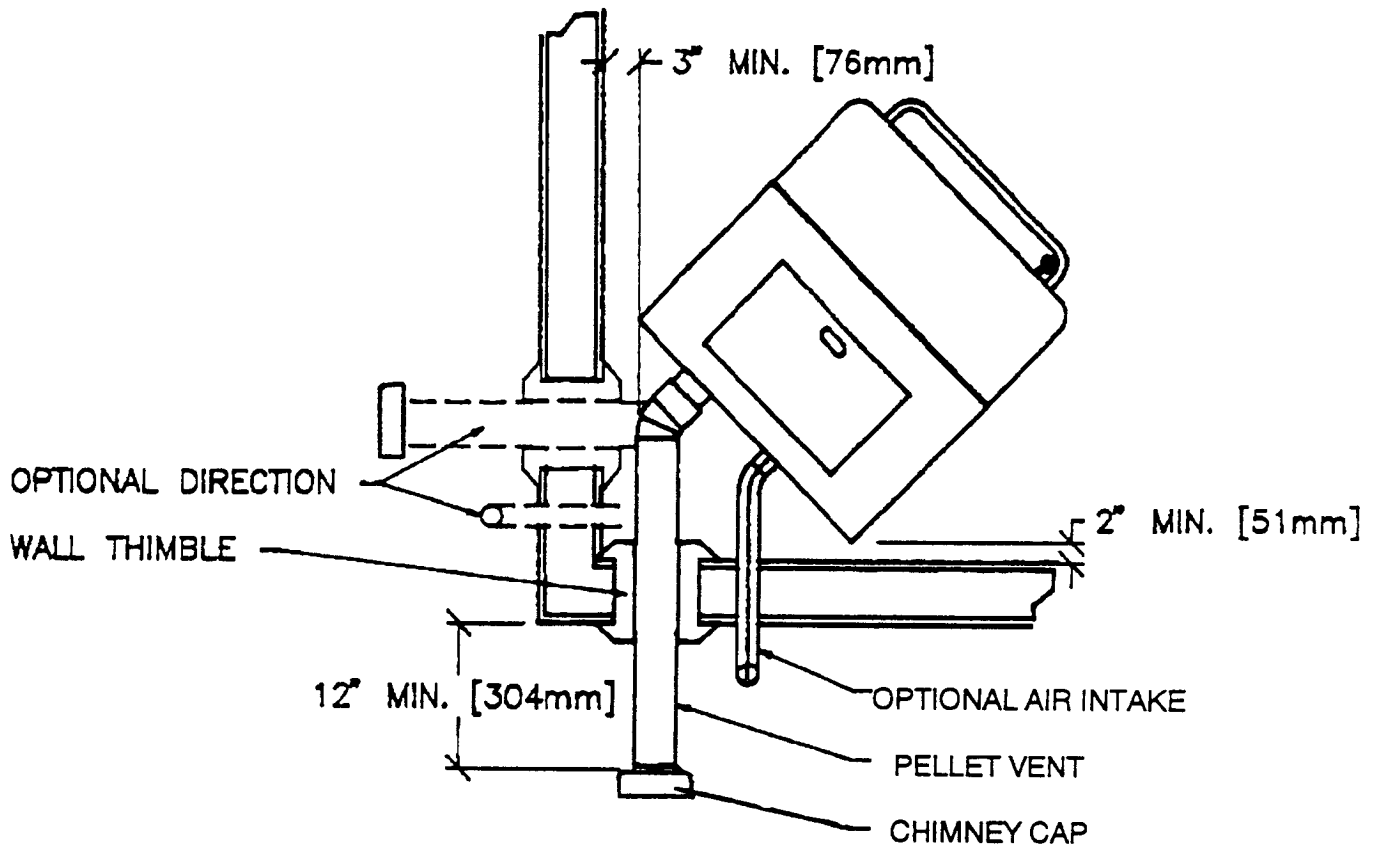


FIGURE 4

The exhaust vent termination on either vertical or horizontal installations shall be located as follows:

- A minimum of 4 feet (1219 mm) below or beside and a minimum of 1 foot (305 mm) above any door or window that opens, or any opening into a building.
- A minimum of 2 feet (610 mm) from any adjacent building.
- A minimum of 7 feet (2134 mm) above grade, when located adjacent to public walkways.
- A minimum of 2 feet (610 mm) above grass, plants or other combustible surfaces.

VERTICAL EXTERIOR FLUE SYSTEM

NOTE: FOR STANDARD OR CORNER INSTALLATION, STANDARD INSTALLATION SHOWN.

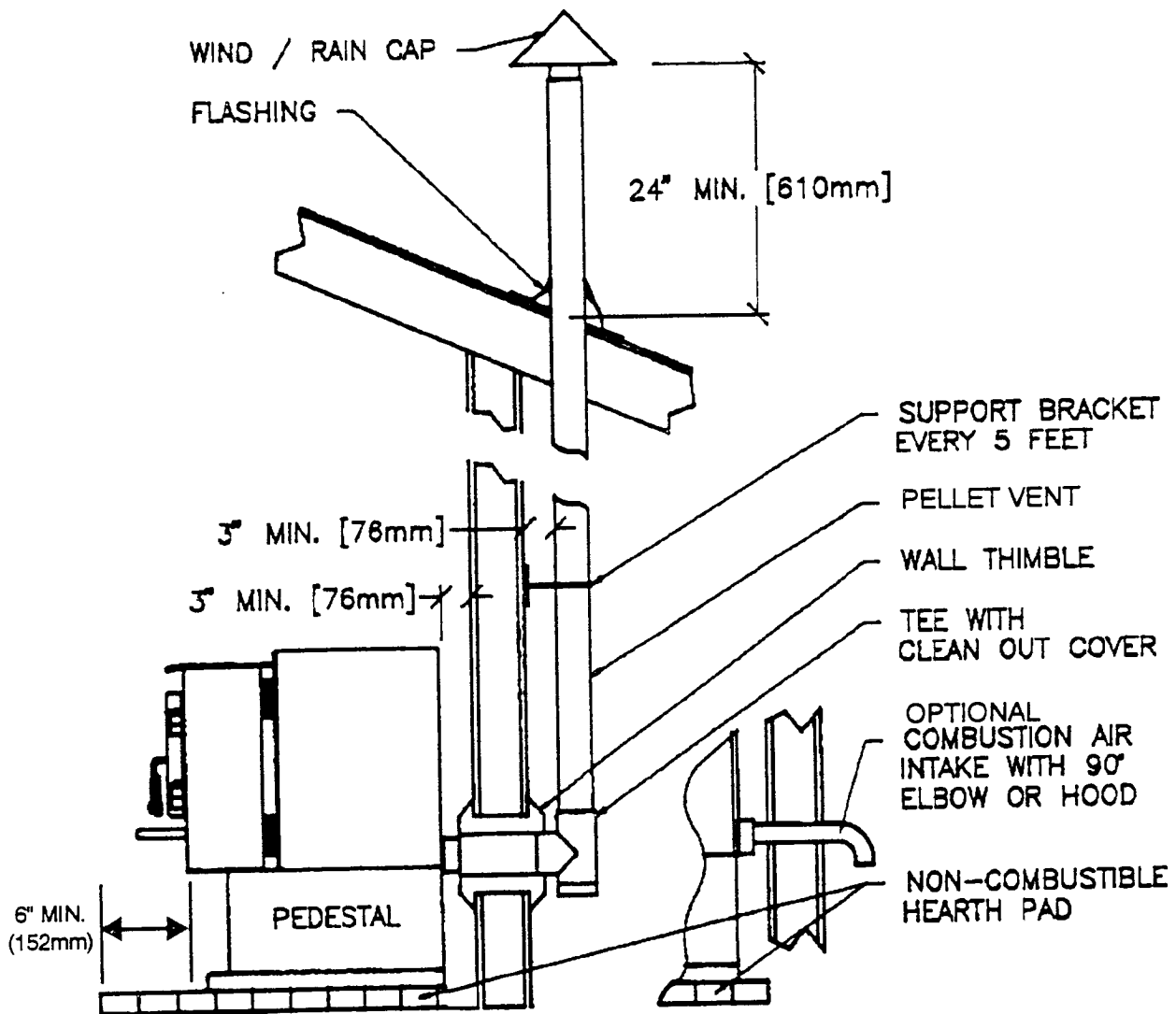


FIGURE 5

The exhaust vent termination on either vertical or horizontal installations shall be located as follows:

- A minimum of 4 feet (1219 mm) below or beside and a minimum of 1 foot (305 mm) above any door or window that opens, or any opening into a building.
- A minimum of 2 feet (610 mm) from any adjacent building.
- A minimum of 7 feet (2134 mm) above grade, when located adjacent to public walkways.
- A minimum of 2 feet (610 mm) above grass, plants or other combustible surfaces.

INSIDE VERTICAL INSTALLATION WITH ROOF TERMINATION

NOTE: FOR STANDARD OR CORNER INSTALLATION, STANDARD INSTALLATION SHOWN.

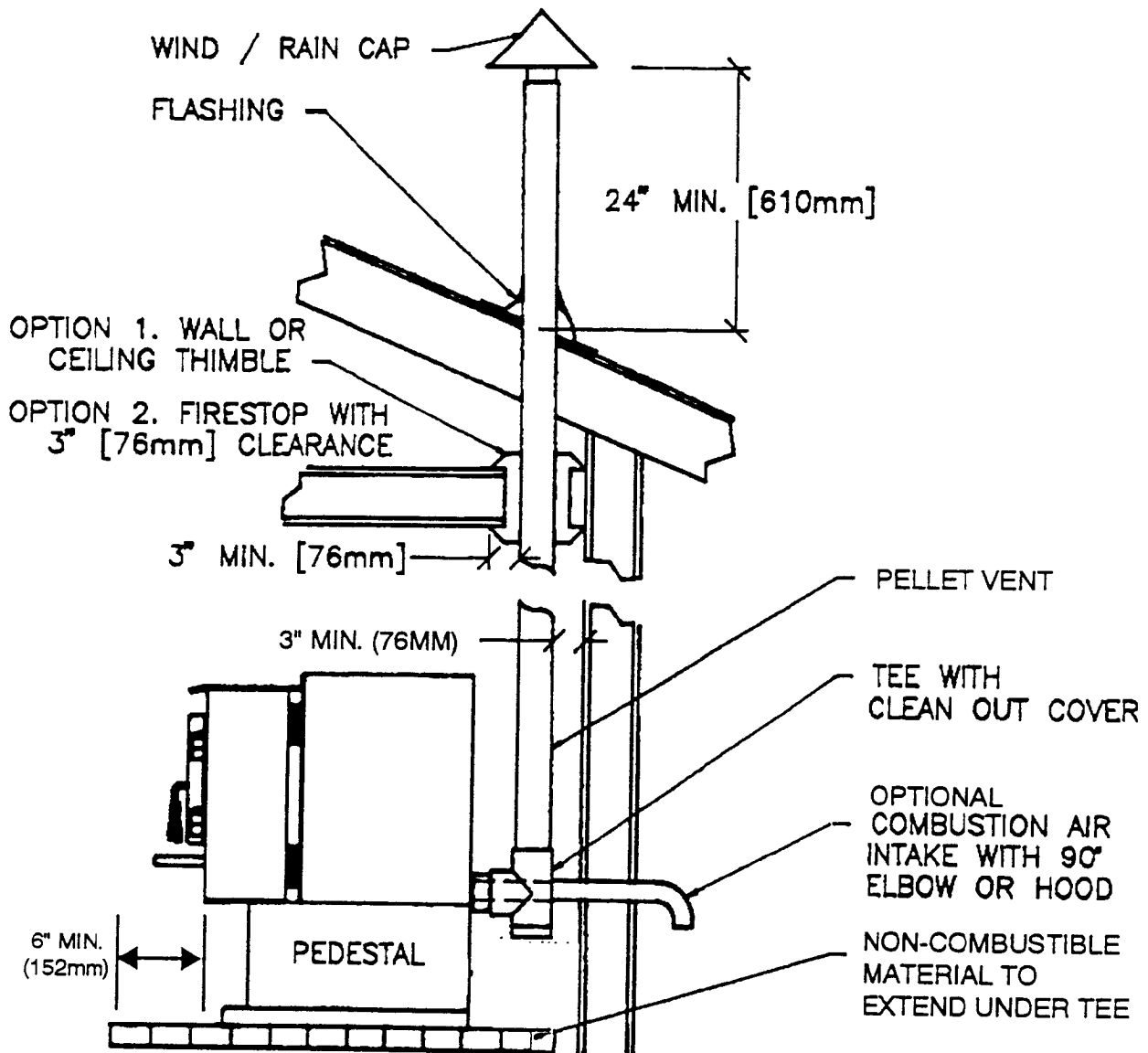


FIGURE 6

The exhaust vent termination on either vertical or horizontal installations shall be located as follows:

- A minimum of 4 feet (1219 mm) below or beside and a minimum of 1 foot (305 mm) above any door or window that opens, or any opening into a building.
- A minimum of 2 feet (610 mm) from any adjacent building.
- A minimum of 7 feet (2134 mm) above grade, when located adjacent to public walkways.
- A minimum of 2 feet (610 mm) above grass, plants or other combustible surfaces.

HEARTH STOVE INSTALLATION INTO EXISTING MASONRY & ZERO CLEARANCE (METAL) FIREPLACE

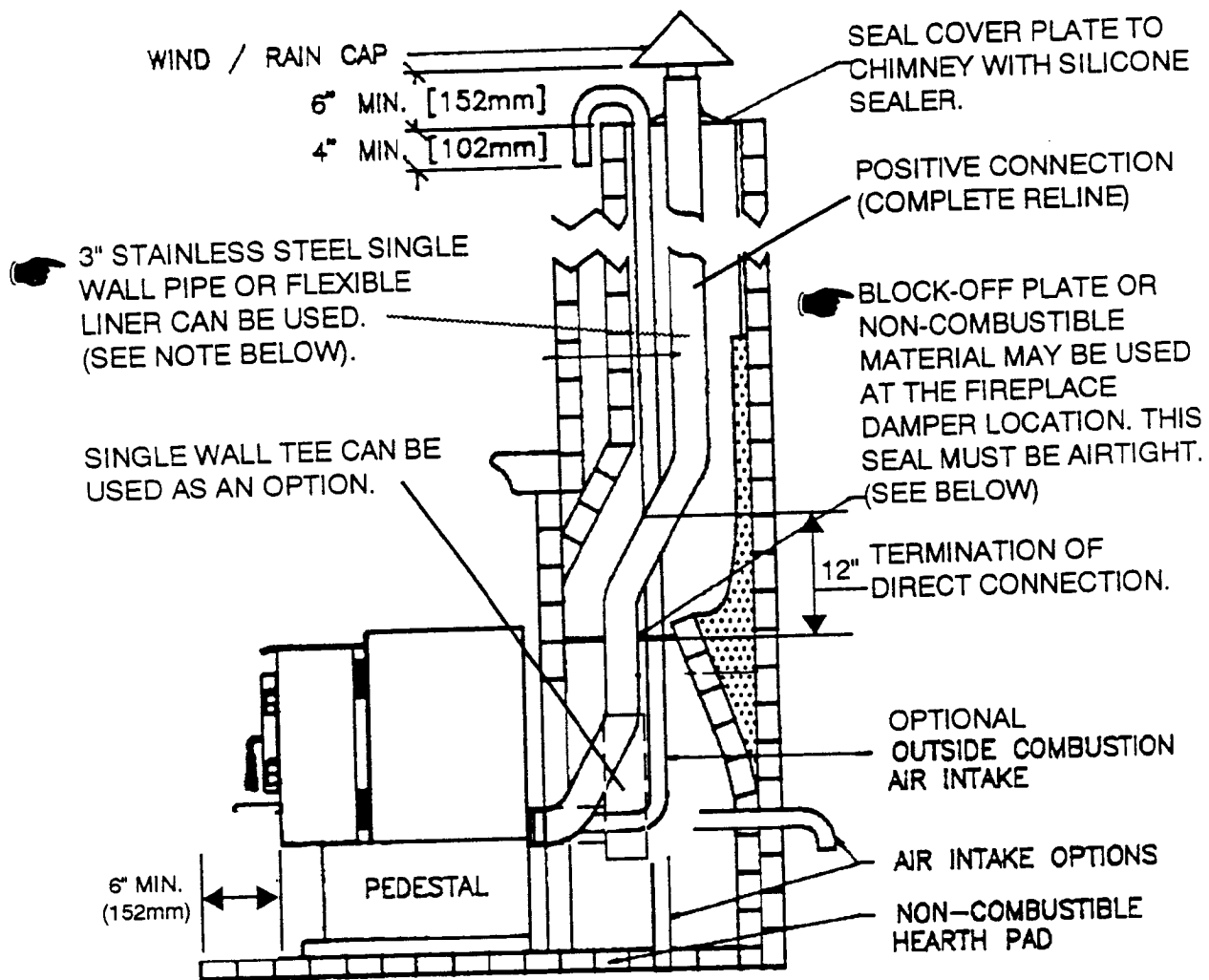


FIGURE 7

NOTE: Masonry fireplace installations require a direct connection or positive (complete reline) connection to the chimney flue. With a direct connection a block-off plate made of metal or other non-combustible material (i.e. Kaowool or high temperature fiberglass insulation) must be used at the damper location and sealed airtight. The singlewall pipe or flexible liner must extend past the block-off plate or insulation by one (1) foot (305 mm) or to the first flue tile if the chimney has a tile lining.

With a positive connection, the block-off plate at the damper location is optional, but a sealed cover plate is required at the top of the chimney. A positive connection (complete reline) is recommended for ease of cleaning. Zero clearance (metal) fireplace installations require a complete reline to top of chimney.

VERTICAL INSTALLATION INTO EXISTING FACTORY BUILT CHIMNEY

NOTE: FOR STANDARD OR CORNER INSTALLATION, STANDARD INSTALLATION SHOWN.

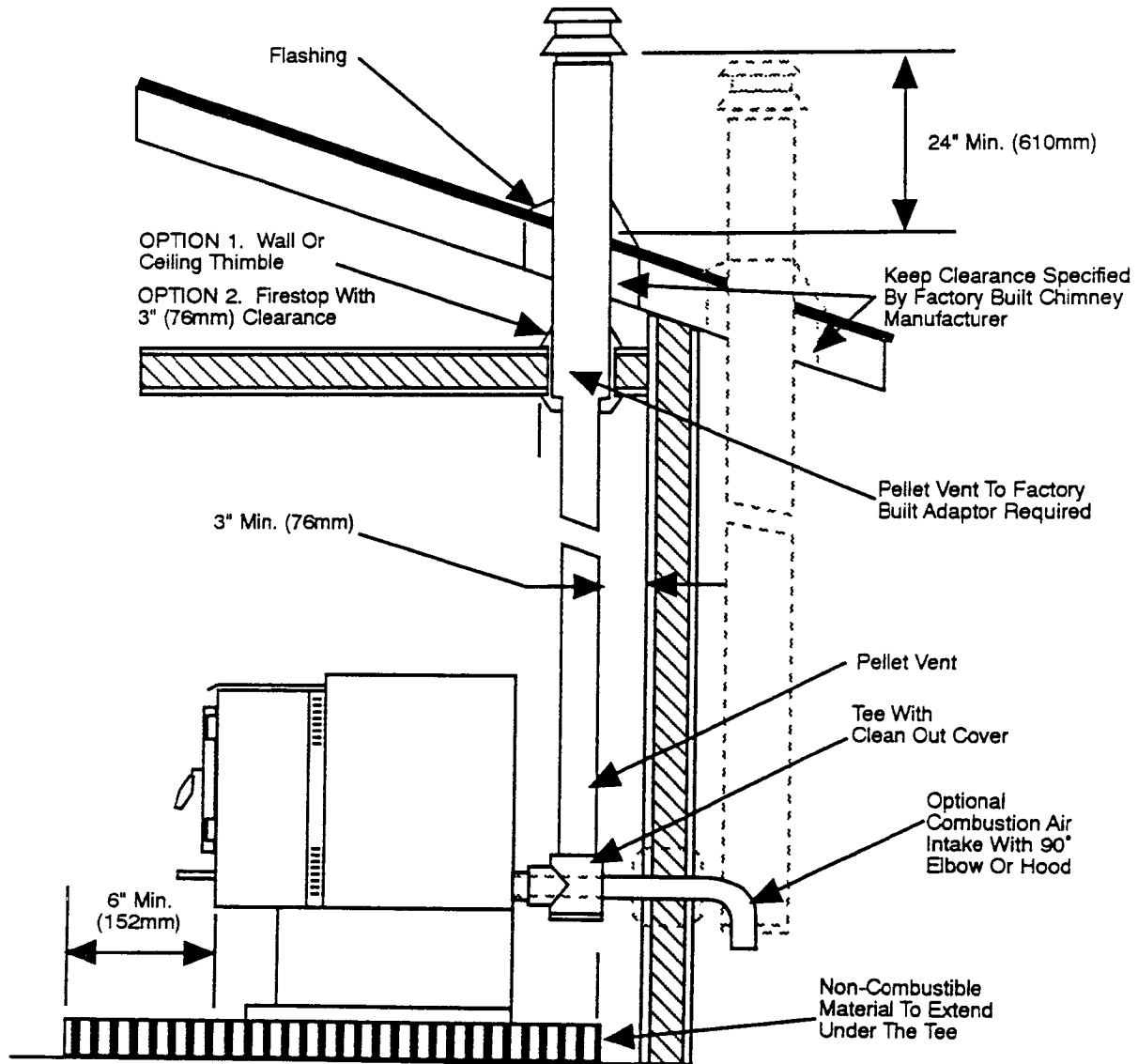


FIGURE 8

The exhaust vent termination on either vertical or horizontal installations shall be located as follows:

- A minimum of 4 feet (1219 mm) below or beside and a minimum of 1 foot (305 mm) above any door or window that opens, or any opening into a building.
- A minimum of 2 feet (610 mm) from any adjacent building.
- A minimum of 7 feet (2134 mm) above grade, when located adjacent to public walkways.
- A minimum of 2 feet (610 mm) above grass, plants or other combustible surfaces.

HORIZONTAL INSTALLATION

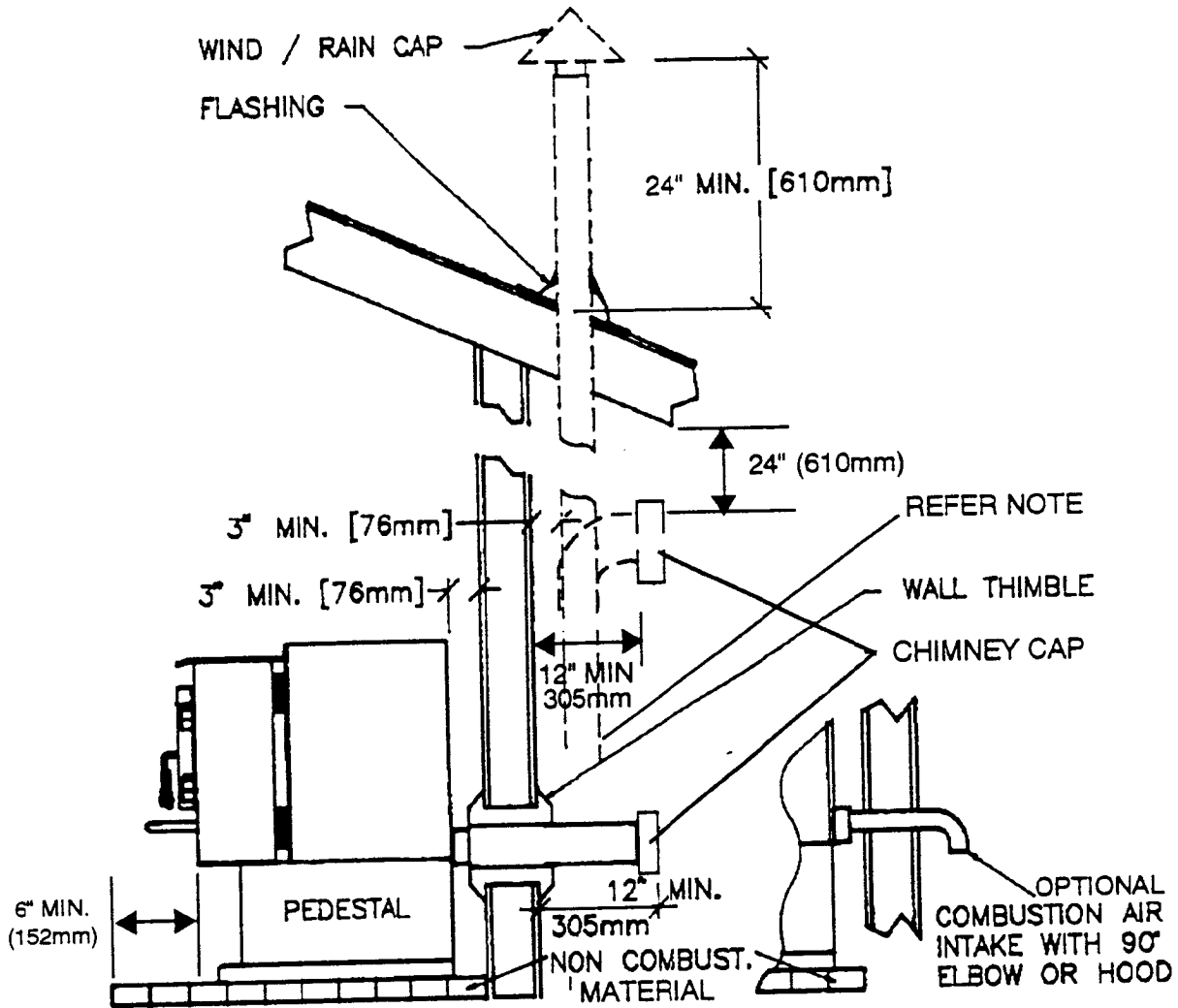


FIGURE 9

NOTE: A 6 ft. (1829mm) vertical rise is recommended to maintain a better draft. However, a shorter rise may be used. Vertical installation as in Figure 5 is preferred. If a shorter rise is used and the termination is under an eave or overhang, the termination must be at least 24" (610mm) from the combustible material, and the chimney must be vented at least 12" (305mm) from the dwelling.

The exhaust vent termination on either vertical or horizontal installations shall be located as follows:

- A minimum of 4 feet (1219 mm) below or beside and a minimum of 1 foot (305 mm) above any door or window that opens, or any opening into a building.
- A minimum of 2 feet (610 mm) from any adjacent building.
- A minimum of 7 feet (2134 mm) above grade, when located adjacent to public walkways.
- A minimum of 2 feet (610 mm) above grass, plants or other combustible surfaces.

MOBILE HOME INSTALLATION

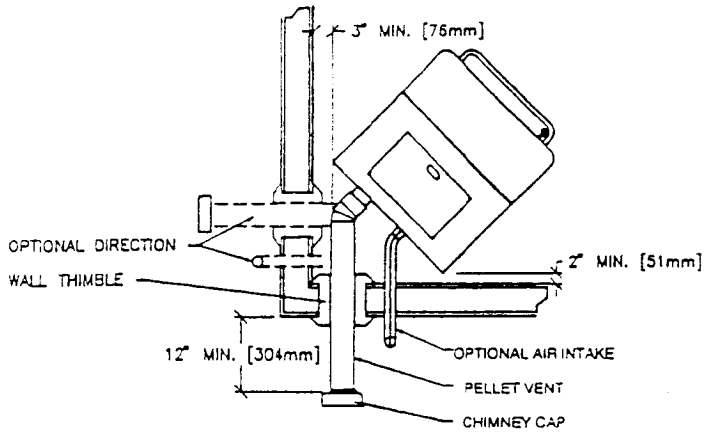


FIGURE 4

HORIZONTAL CORNER INSTALLATION

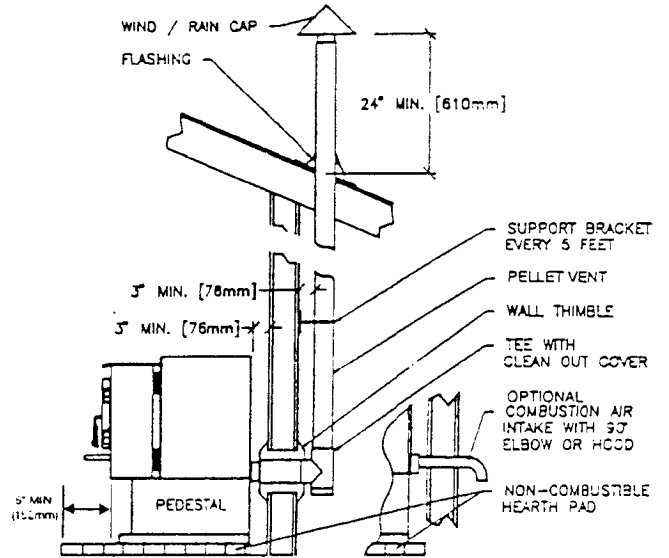


FIGURE 5

VERTICAL EXTERIOR FLUE SYSTEM

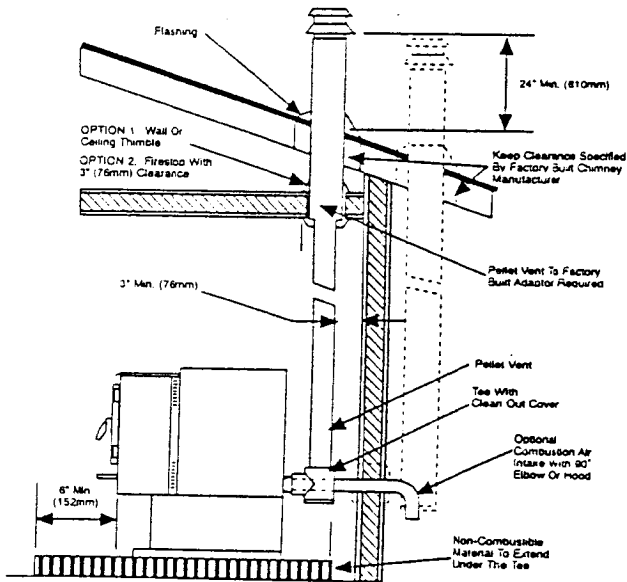


FIGURE 8

INSIDE VERTICAL INSTALLATION WITH ROOF TERMINATION

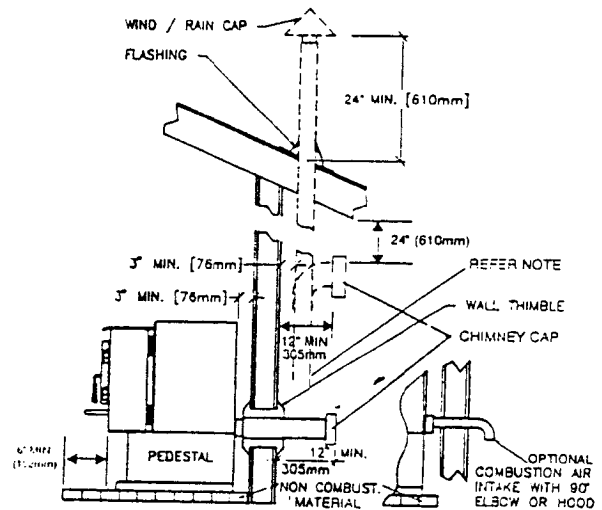


FIGURE 9

HORIZONTAL INSTALLATION

CAUTION: The structural integrity of the mobile home floor, wall, ceiling and roof must be maintained.

In addition to the **FREESTANDING RESIDENTIAL INSTALLATION** requirements, the following requirements are mandatory for installation into a mobile home:

1. The stove must be permanently bolted to the floor of the mobile home.
(Some states do not require this; check with your local building department.)
2. The stove must have permanent outside air (combustion air) intake.
3. The stove must be grounded to the steel chassis of the mobile home.
(Some states do not require this; check with your local building department.)

RESIDENTIAL ALCOVE INSTALLATION

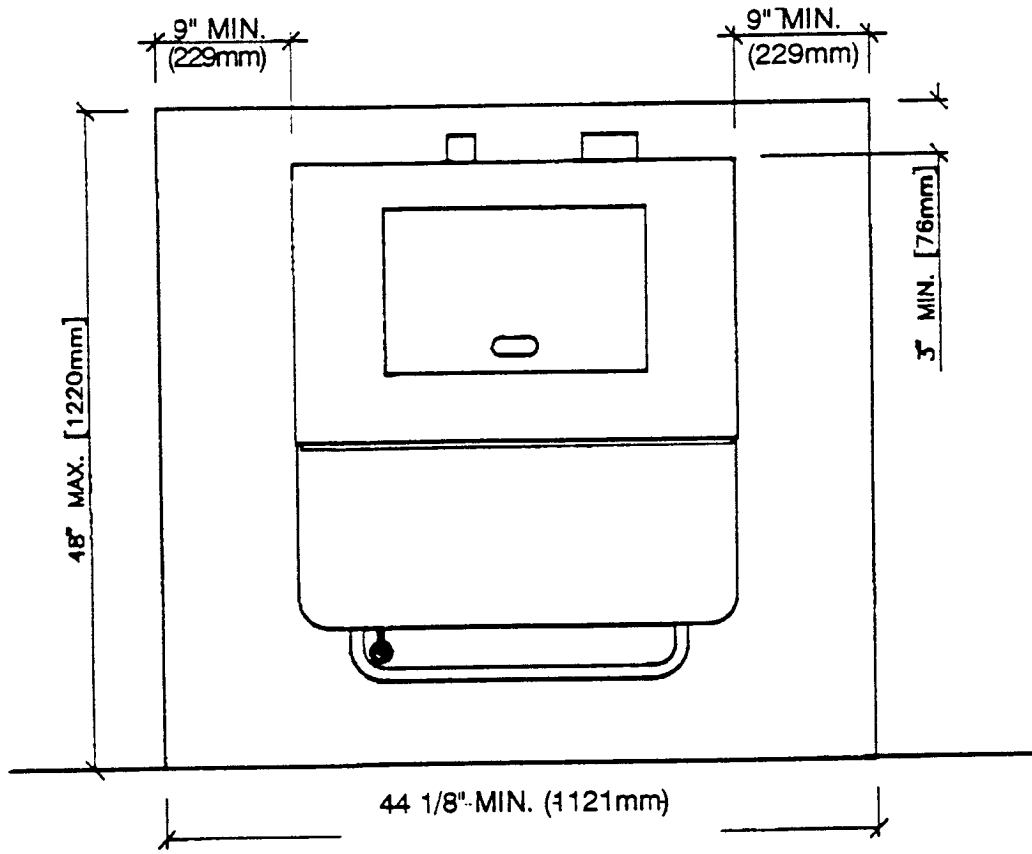


FIGURE 11

MINIMUM ALCOVE HEIGHT 60" - (1524mm)
MAXIMUM ALCOVE DEPTH 48" - (1219mm)

PREPARATION FOR INSTALLATION — PELLET INSERT

READ THIS ENTIRE MANUAL BEFORE YOU INSTALL AND USE YOUR NEW APPLIANCE. FAILURE TO FOLLOW INSTRUCTIONS MAY RESULT IN PROPERTY DAMAGE, BODILY INJURY, OR EVEN DEATH.

PREPARATION:

1. Remove all tape and packaging.
2. Remove the wood shipping frame from around and under the appliance.
3. Check that no parts have become loose and the appliance has not been damaged during shipping.
4. Remove the hardware pack from the appliance.
5. **READ THE OWNER'S MANUAL BEFORE PROCEEDING.**

* Appliance should be located so that no doors, drapes, furniture or other combustibles can be placed close or swing closer than the minimum 36" clearances.

* The appliance must be installed in a level, secure position.

FLOOR PROTECTION: (Fig. 10)

NOTE: Minimum hearth extension 24" W (610mm) x 16" D (406mm) (From fireplace opening).

Chimney Lengths	Maximum	Minimum
Vertical	33' (10.06 m)	Subject to installation.
Horizontal	10' (3.05 m)	Subject to installation.

- * Do not obtain combustion air from attic, garage, unventilated crawl space or any other enclosed space. Do not locate combustion air inlet at an elevation higher than exhaust termination.
- * Outside air (combustion air intake) is recommended, but not required, for residential installations, but outside air is required for mobile home installations. If an outside air intake (combustion air) is used, it must be connected to a 1-3/4", or larger, metal or aluminium duct with a rodent screen fixed to the termination.
Do not use P.V.C. duct.

NOTE: TRAVIS INDUSTRIES, INC., recommends that an outside air (combustion air) intake be used in all installations. If one is not used, there is a possibility of combustion gases (smoke) being released into your home, if there is a power outage while the unit is in operation.

* The **AVALON 900** pellet insert exhaust vent accepts 3" diameter pellet vent pipe or 3" diameter singlewall stainless steel liner.

Some of the brands available for use with the **AVALON 900** are:

- | | | |
|--|---|--|
| <ol style="list-style-type: none"> 1. Duravent Model PL-Vent
Simpson Dura-Vent
P.O. Box 1510
Vacaville, CA 95688
(707) 446-1786 or
1-800-227-8846 | <ol style="list-style-type: none"> 2. James A. Ryder MFG Model PL-Vent
Ryder Mfg., Inc.
241 Arvin Avenue
Stoney Creek, Ontario Canada
(416) 662-1701 | <ol style="list-style-type: none"> 3. MetalFab Model Pellet Vent
P.O. Box 1138
Wichita, KS 67201
(316) 943-2351 |
|--|---|--|

NOTE: 4" diameter may be substituted when a 3" to 4" adapter is used.

See manufacturer's installation instructions for precautions required for passing vent through a combustible wall or ceiling. Do not connect this appliance to a vent serving another appliance.

All sections of pellet vent must be fastened to each other with sheet metal screws and silicone sealed with type 500 degrees Fahrenheit (260° C) RTV (high heat) silicone sealer, to ensure that the joints are airtight.

PREPARATION FOR INSTALLATION — PELLET INSERT (cont.)

NOTE: The fireplace cavity must be thoroughly cleaned prior to installation. It should be cleaned with a wire brush or scraper and then painted with a latex paint to eliminate the possibility of odors from the fireplace being circulated into the house by the room air fan of the pellet insert.

For your safety, examine the fireplace and chimney prior to installation of the pellet insert to determine that they are free from cracks, loose mortar, creosote deposits, blockages, or other signs of deterioration. If evidence of deterioration is noted, the pellet insert should **not** be installed until after repairs have been made. Any opening between the masonry of the fireplace and the facing masonry must be **permanently sealed**.

Your pellet insert is listed for installation into masonry fireplaces, and is approved to be installed with or without positive or direct chimney connection.

Your pellet insert is also approved for installation into **metal or zero-clearance (Z.C.)** fireplaces. Metal or Z.C. installation requires a **full reline** with a 3" stainless steel single-wall pipe or a flexible liner.

Your **Avalon 900 Pellet Insert** appliance comes completely assembled, with the exception of the switch box, panels and panel trim. Options available for the different types of installations are:

1. Adjustable Front Insert Support.
2. Panels - 8" or 10"
3. Ceramic Log

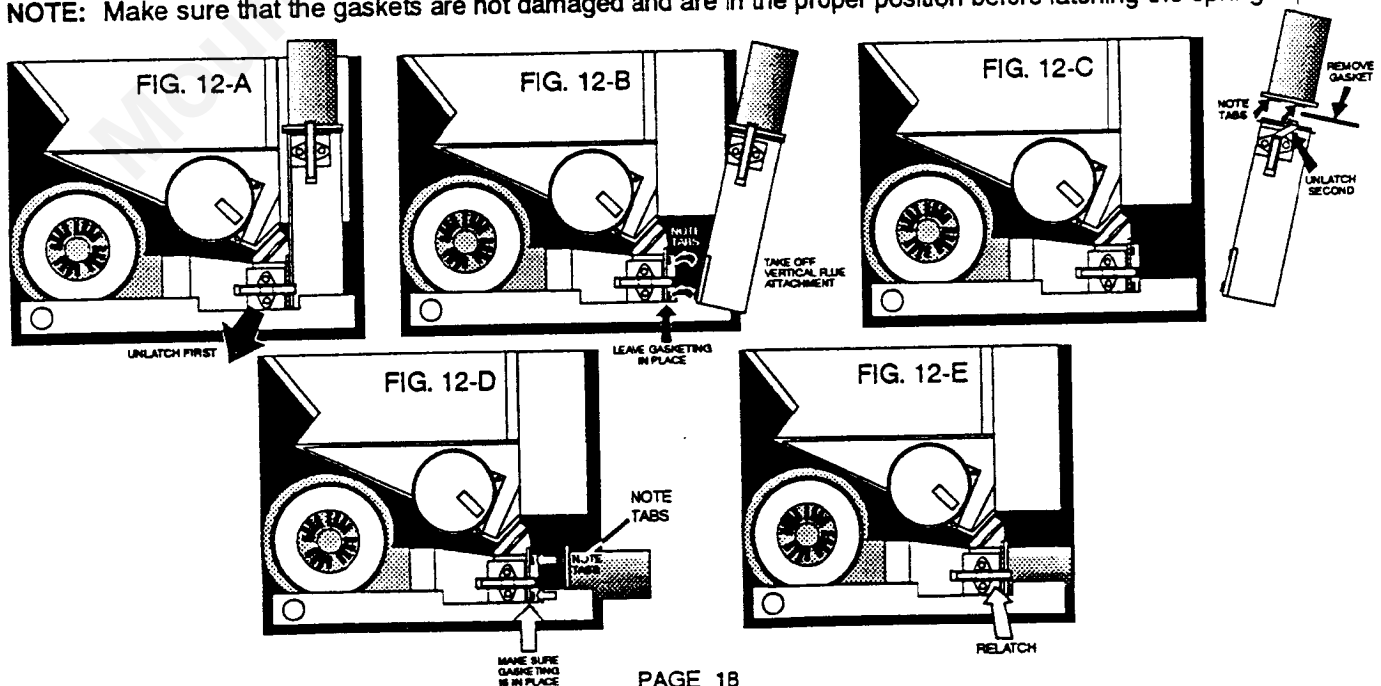
The above items come boxed separately and require assembly.

VENT CONFIGURATION:

The 900 Pellet Insert is equipped with a dual vent configuration. It can be vented vertically or horizontally. Before installing, you must determine which configuration will best suit your installation.

The unit comes set up for a vertical installation (Fig. 12-A). To change it to a horizontal venting configuration, remove the 1/4" hex head bolt and clamp holding the vertical vent to the base of the unit, next release the spring clip on the side of the lower vent duct, (Fig. 12-B) and remove the vent assembly then release the spring clip holding the round portion of the vent to the rectangular portion (Fig. 12-C). To complete the change over, clip the round portion into the lower vent duct bracket (Figs. 12 D & E).

NOTE: Make sure that the gaskets are not damaged and are in the proper position before latching the spring clip.



INSERT INSTALLATION SPECIFICATIONS

LOCATION OF EXHAUST VENT AND OUTSIDE COMBUSTION AIR INTAKE, DIMENSIONS REQUIRED FOR INSTALLATION INTO FIREPLACE AND PANEL SIZING.

AVALON 900 PANEL SIZING:

8" PANELS

A - WIDTH 40 3/8" (1025mm)

B - HEIGHT 26 7/8" (683mm)

10" PANELS

A - WIDTH 44 3/8" (1130mm)

B - HEIGHT 28 7/8" (734mm)

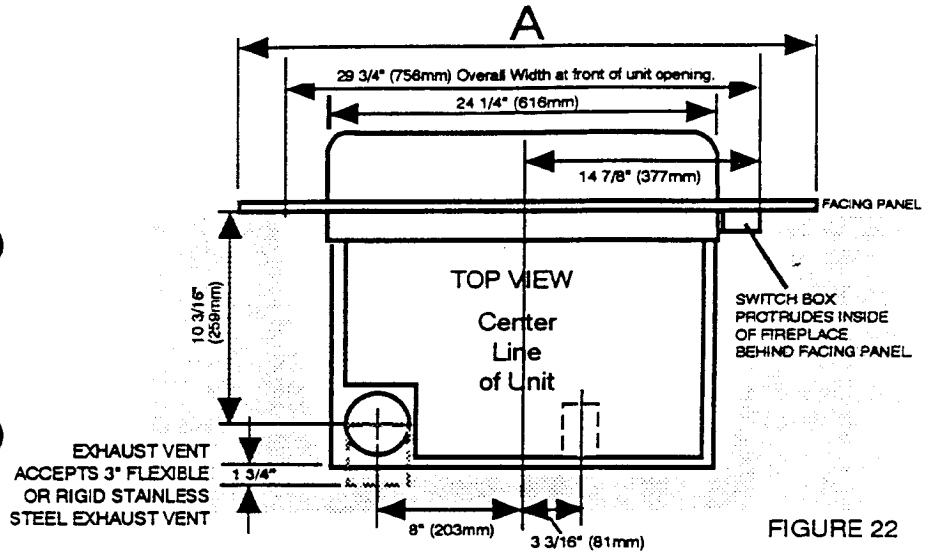


FIGURE 22

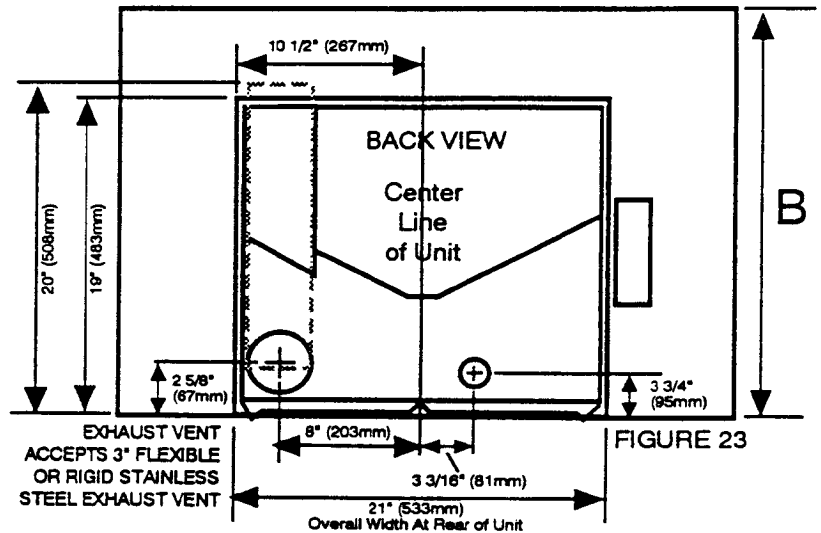
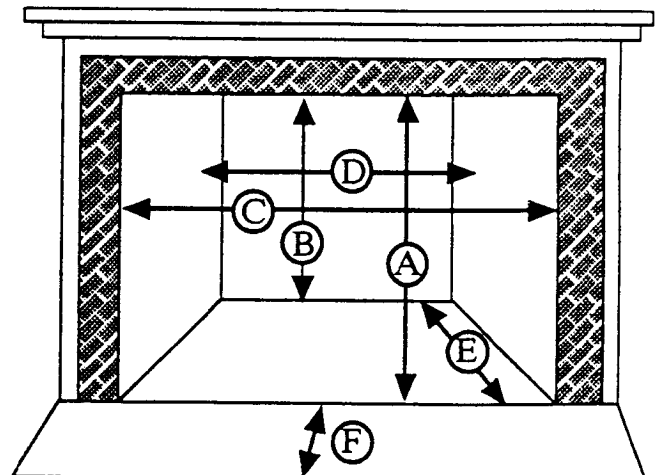


FIGURE 23

AVALON 900 FIREPLACE SIZING:

NOTE: DUE TO THE POSITION OF THE SWITCH BOX THE REQUIRED FIREPLACE OPENING MUST EXCEED THE ACTUAL WIDTH OF THE UNIT. MEASURE AND CENTER THE UNIT INTO FIREPLACE BASED ON THE PROVIDED MEASUREMENTS.

- | | |
|----------------------------|-----------------|
| A - MINIMUM HEIGHT (FRONT) | 20" (505mm) |
| B - MINIMUM HEIGHT (BACK) | 20" (505mm) |
| C - MINIMUM WIDTH (FRONT) | 29 3/4" (756mm) |
| D - MINIMUM WIDTH (BACK) | 21" (534mm) |
| E - DEPTH INTO FIREPLACE | 12 1/4" (311mm) |
| F - EXTENSION ONTO HEARTH | 12 7/8" (327mm) |



INSERT INSTALLATION SPECIFICATIONS (Cont.)

FLOOR PROTECTION: (Fig.10)

E.	Front	0" (0mm)
F.	Sides	0" (0mm)

NOTE: Although a non-combustible hearth extension is not required, to extend past the front and sides of the insert, the insert must be installed on a non-combustible hearth that extends to the front and side edges of the insert.

CLEARANCE TO COMBUSTIBLES: (Fig. 10)

A.	Adjacent Sidewall	9" (229mm)
B.	Side Facing	8" (203mm)
C.	Top Facing	12" (305mm)
D.	Mantle	13" (330mm)

NOTE: For clearances, use this clearance diagram (fig. 10) or the clearance diagram on the safety label attached to the back of the appliance.

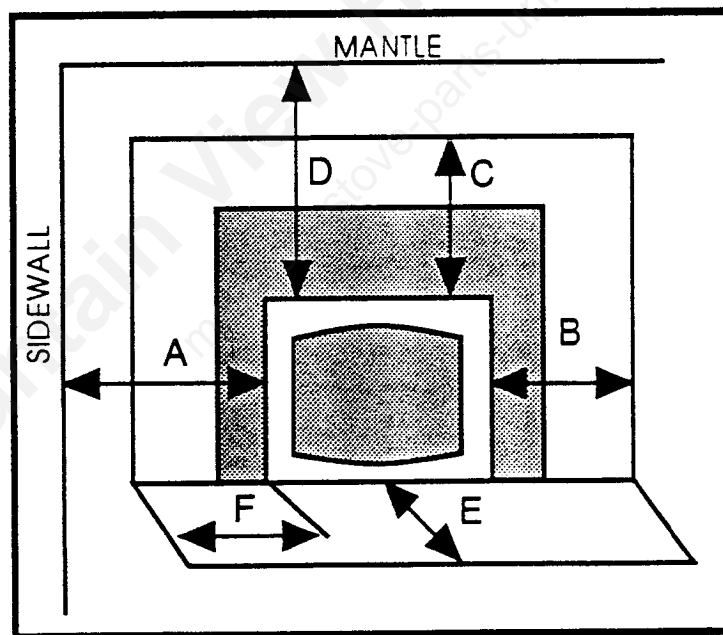


Figure 10

INSERT INSTALLATION SPECIFICATIONS - (cont.)

DIRECT CONNECTION:

1. Make sure the fireplace and chimney are thoroughly cleaned, inspected and repaired where necessary to make it safe. Paint with a latex paint as explained on Pg. 18.
2. Wire open or remove the firebox damper.
3. Measure the area of the firebox below the damper opening and above the lintel. Transfer these measurements to a piece of galvanized sheet metal (min. 24 gauge) and add 2" to each side. Mark the position of several holes on each side, to suit your specific installation, and drill 1/4" diameter holes. Next bend the 2" extended side to a 45° angle. The 2" lip with the 1/4" diameter holes will allow you to screw the plate to the firebox walls.
4. A hole must be cut in the plate to allow the chimney connector to pass through from the appliance into the chimney. Mark the hole position on the plate so that the center of the hole is in line with the center line of the appliance flue. A flexible stainless steel connector works best if an offset is required.
5. Position the plate in the firebox where the measurements were taken. Secure the plate with screws through the holes in the lip, and seal around the outside edges of the plate with fiberglass insulation, furnace cement, or both.
6. Insert the chimney connector (flexible or rigid single-wall stainless steel, 3" diameter and at least 24" long) up through the hole in the plate and damper opening into the chimney. Seal where vent passes through block-off plate. This should be done on completion of connection.

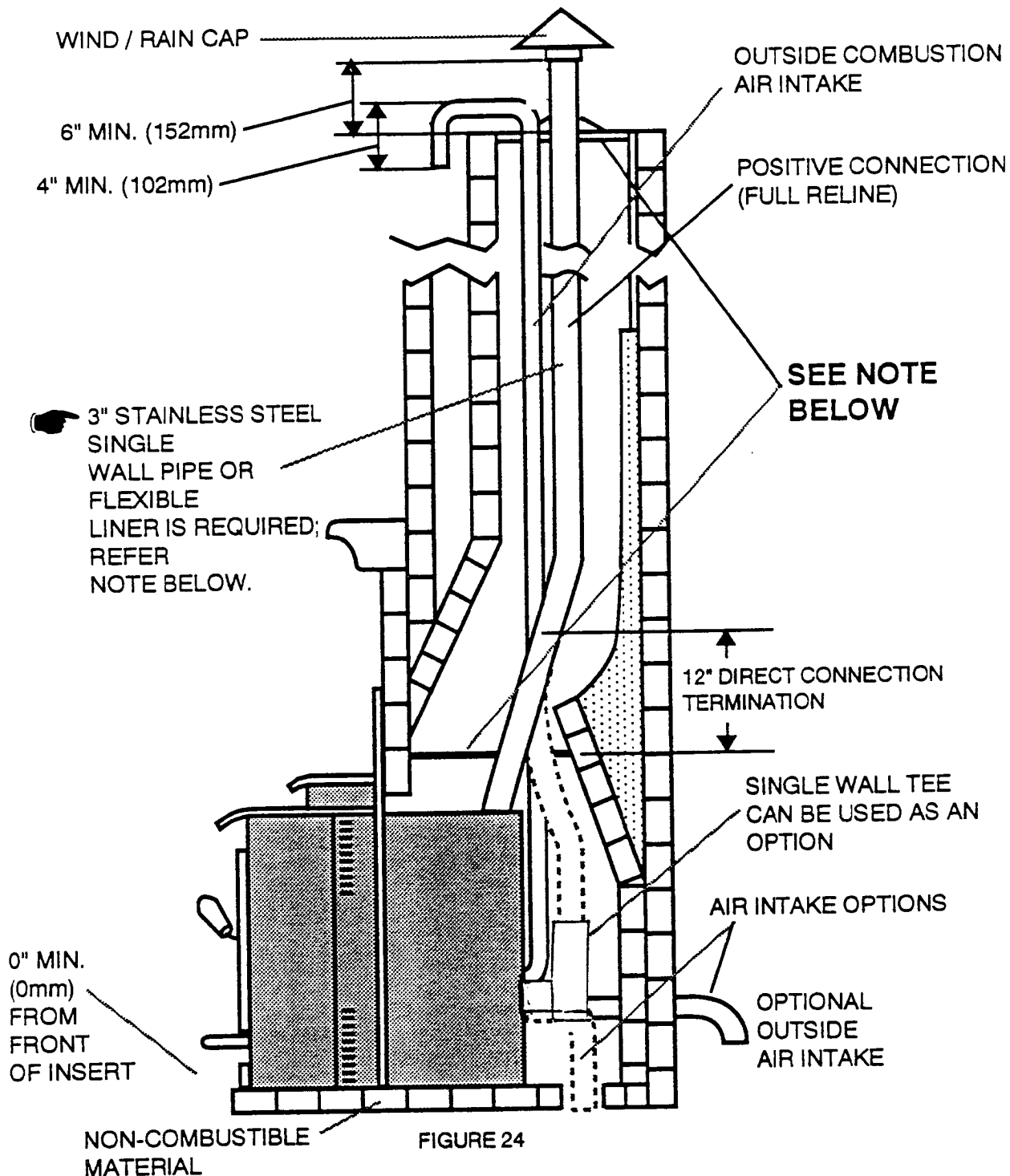
NOTE: Masonry fireplace installations require a direct connection or positive (complete reline) connection to the chimney flue. With a direct connection a block-off plate made of metal or other non-combustible material (i.e. Kaowool or high temperature fiberglass insulation) must be used at the damper location and sealed airtight. The singlewall pipe or flexible liner must extend past the block-off plate or insulation by one (1) foot (305 mm) or to the first flue tile if the chimney has a tile lining.

With a positive connection, the block-off plate at the damper location is optional, but a sealed cover plate is required at the top of the chimney. A positive connection (complete reline) is recommended for ease of cleaning.

PANEL INSTALLATION:

7. Lay a protective covering such as a towel or blanket on the floor to protect the floor and the panel finish. Remove, from the box marked **Panels**, one top panel and two side panels. Make sure that the panels are large enough to cover the fireplace opening. NOTE: Route the power cord out of the fireplace so it exits through the lower outside front corner of the fireplace opening. DO NOT ROUTE THE POWER CORD UNDER THE UNIT.
8. Align the side panels with the sides of the unit. The panels are notched and simply clip onto the sides of the unit.
9. Unwrap the Switch Box (shipped inside the firebox of the appliance) and clip it into the panel. The Power Switch should be at the top and the Blower Control at the bottom. This must be done prior to the installation of the top panel.
10. Position the top panel over the unit. Align the clips and slide the top panel over the side panel flanges and the top of the unit. Press down firmly to make a secure fit.
11. Place the trim face down on the floor, as it would appear on the unit. Place the corner brackets in the appropriate slots, insert the set screws and tighten firmly.
12. Slide the completed trim assembly over the panels. You may wish to use two-sided tape at the ends of the trim to hold it firmly against the bottom of the side panels.
13. Push the assembled insert, panels and trim into the fireplace until the spacers make contact with the face of the fireplace. Be careful not to scratch the hearth. NOTE: Maintain at least a 3/8" air gap around the outside edge of the panels. This allows air to flow around the unit. If this gap is not maintained, the unit could overheat.
14. Make sure that the insert is square in the fireplace opening.

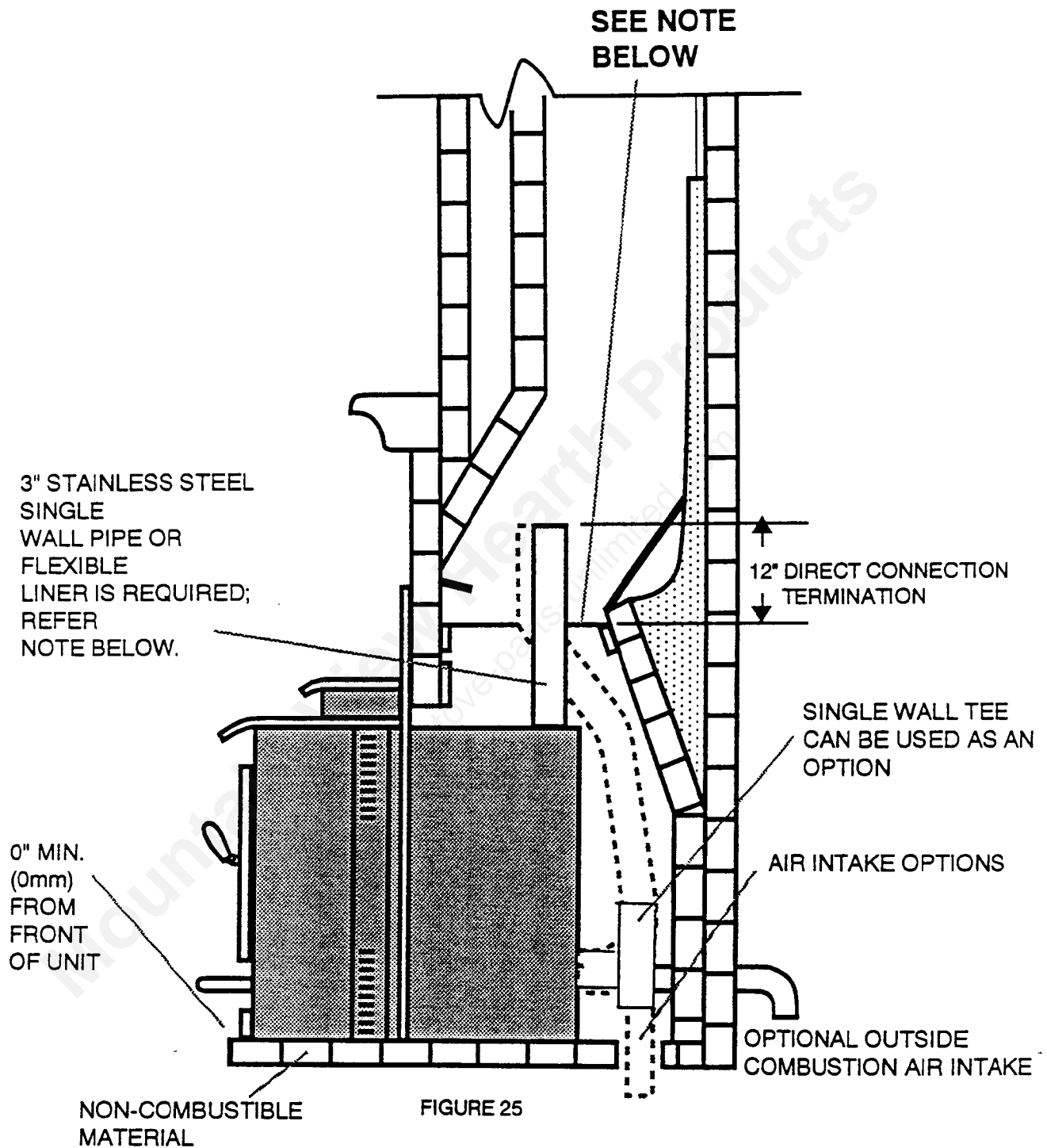
INSERT INSTALLATION INTO EXISTING MASONRY FIREPLACE



NOTE: Masonry fireplace installations require a direct connection or positive (complete reline) connection to the chimney flue. With a direct connection a block-off plate made of metal or other non-combustible material (i.e. Kaowool or high temperature fiberglass insulation) must be used at the damper location and sealed airtight. The singlewall pipe or flexible liner must extend past the block-off plate or insulation by one (1) foot (305 mm) or to the first flue tile if the chimney has a tile lining.

With a positive connection, the block-off plate at the damper location is optional, but a sealed cover plate is required at the top of the chimney. A positive connection (complete reline) is recommended for ease of cleaning.

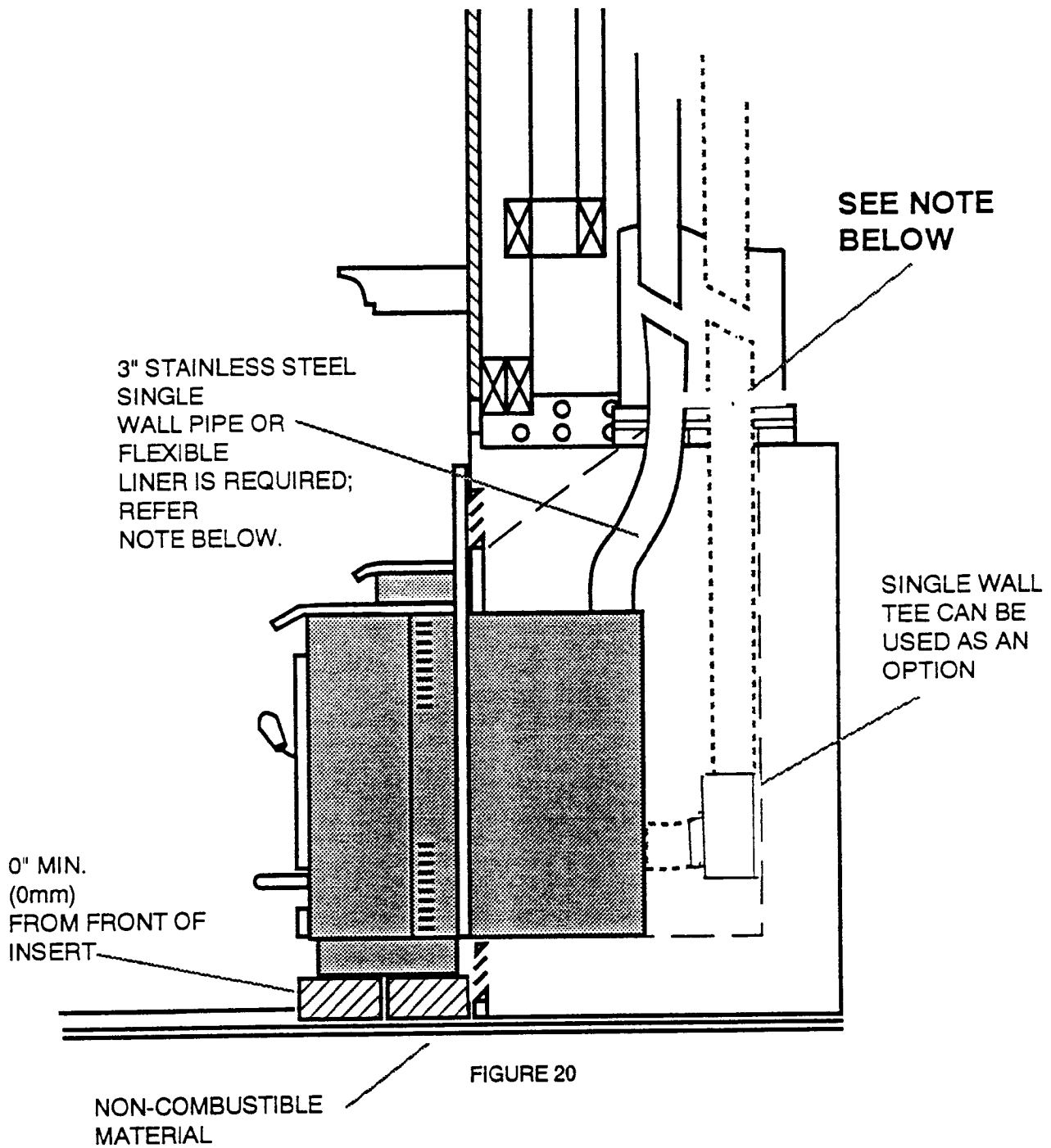
INSERT INSTALLATION INTO EXISTING MASONRY FIREPLACE (cont.)



NOTE: Masonry fireplace installations require a direct connection or positive (complete reline) connection to the chimney flue. With a direct connection a block-off plate made of metal or other non-combustible material (i.e. Kaowool or high temperature fiberglass insulation) must be used at the damper location and sealed airtight. The singlewall pipe or flexible liner must extend past the block-off plate or insulation by one (1) foot (305 mm) or to the first flue tile if the chimney has a tile lining.

With a positive connection, the block-off plate at the damper location is optional, but a sealed cover plate is required at the top of the chimney. A positive connection (complete reline) is recommended for ease of cleaning.

INSERT INSTALLATION INTO METAL (Z.C.) FIREPLACE



NOTE: A 3" stainless steel single wall pipe or a flexible liner is required to extend to the top of the existing chimney for metal (Z.C.) fireplaces.

LOCATION AND USE OF CONTROLS

Pellet Stove Controls

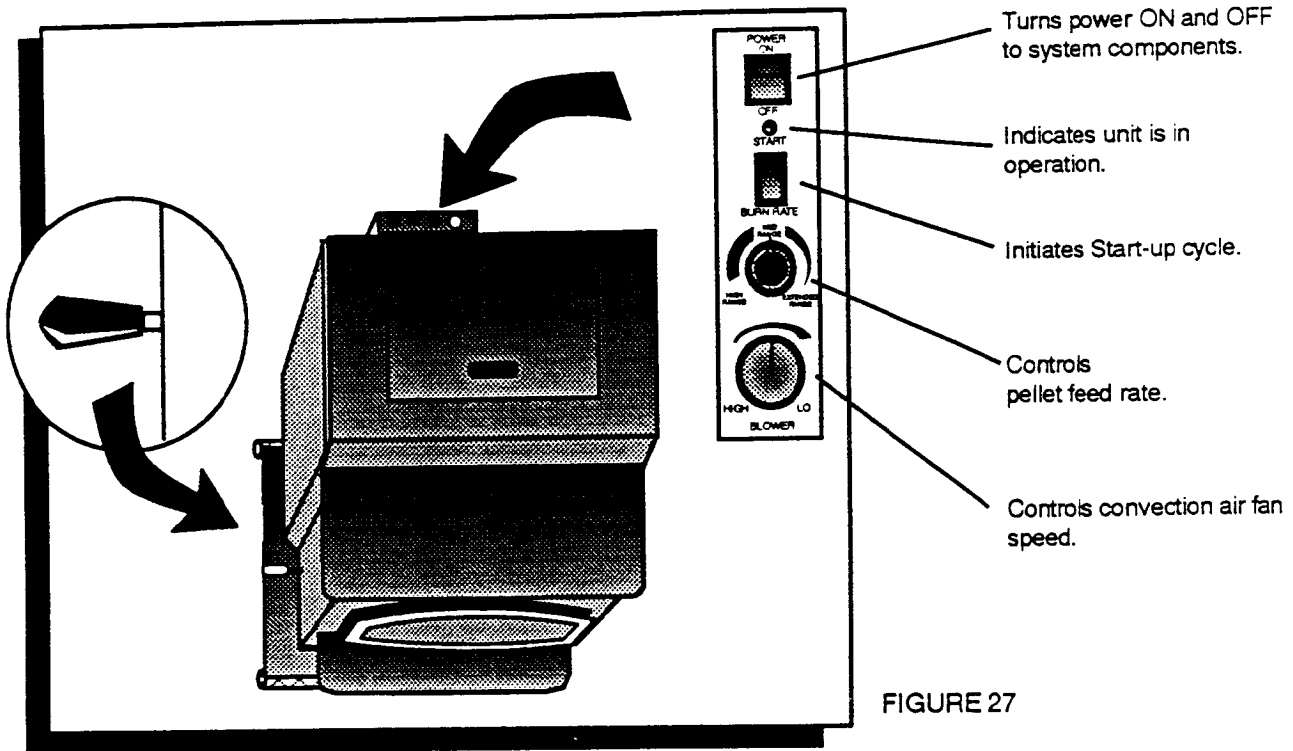


FIGURE 27

Pellet Insert Controls

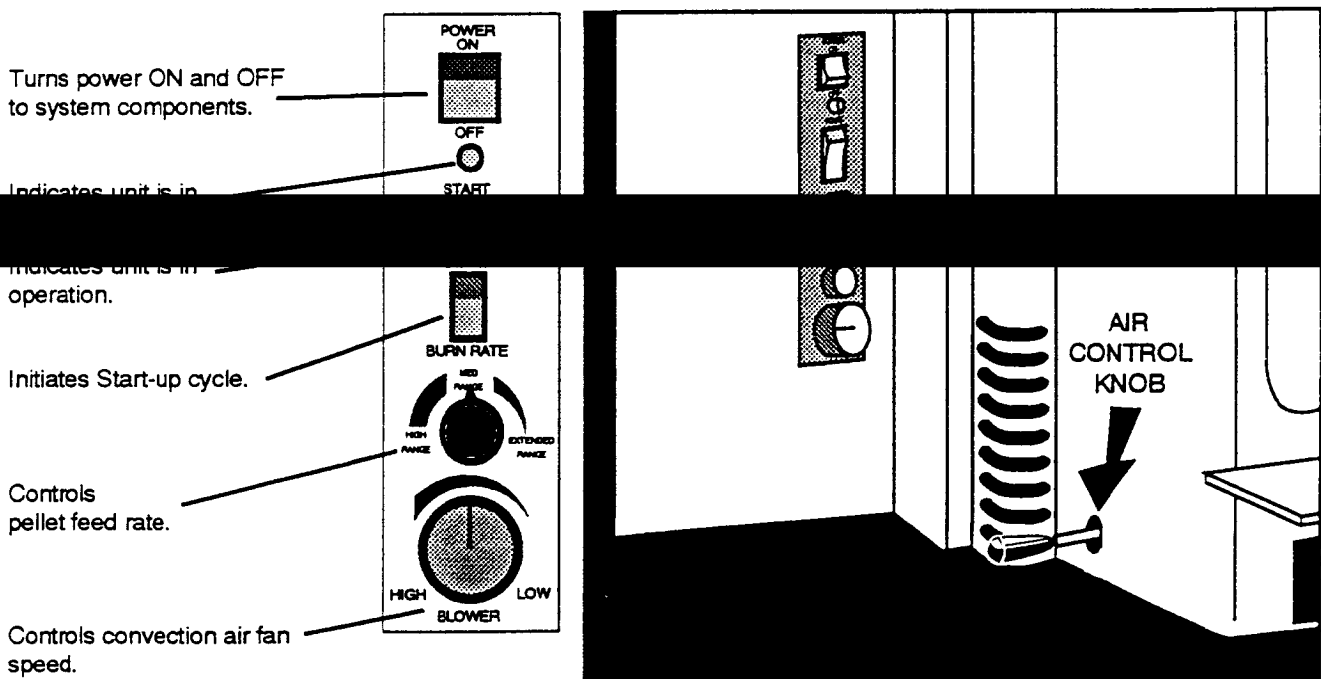


FIGURE 28

OPERATING YOUR PELLET APPLIANCE

STEP 1. RECOMMENDED FUEL TYPES & SIZES:

The unit is designed to operate using 1/4" pellets that comply with A.P.F.I. * standards. If the fuel does not comply to this standard, the unit may not operate as designed. If the pellets are larger than 1/4" diameter, the unit may need adjustments. Consult with your dealer. NOTE: Store pellets in a clean, dry place.

* A.P.F.I. = Association of Pellet Fuel Industries.

STEP 2. PRIMING THE AUGER:

Priming the auger is only required when the unit is new or when the hopper has completely run out of pellets.

- A. Load the hopper with pellets.
- B. Set the burn rate control knob to "HIGH RANGE".
- C. Switch the power switch to "ON".
- D. Press the start switch and release when indicating light comes on.

This will start the auger and begin the priming process. Once pellets are feeding into the firepot, turn the power switch "OFF." You are now ready to start a fire.

STEP 3. STARTING YOUR APPLIANCE:

- A. Open the door and place a wax-impregnated wood fire starter or add gelled firestarter on a few pellets in the center of the firepot and light. When the fire starter is burning, close the door.
- B. Push the black "AIR CONTROL KNOB" to the closed position. (Located on the lower left side of the unit). Press the power switch "ON." Adjust the burn rate control to the "EXTENDED BURN" position and press the start switch. (The amber indicator light will come on.) Pellets will begin to feed into the firepot.
- C. Once the pellets are burning and you have established a fire, set the burn rate at the "HIGH RANGE" position. Then pull the black "AIR CONTROL KNOB" out to the open position.
- D. Before turning the unit to a lower burn setting, it is necessary to run the unit on "HIGH RANGE" for at least 15-20 minutes after a fire has been established. This allows the unit to reach proper operating temperature. Failure to do this could result in an inadequate operating temperature and the unit will turn itself off. If this happens, you will have to repeat the entire start-up procedure.
- E. The convection blower will be OFF for approximately 15 minutes after start-up of the appliance. This is to allow the appliance to reach operating temperature before the convection fan comes on. The fan will also continue to run after the stove has been shut off until the unit has cooled down. NOTE: The unit will emit an odor for the first few hours of operation while the paint and oils on the metal cure.

STEP 4. RUNNING YOUR APPLIANCE:

- A. Burn rate control and air control settings for normal operation when the burn rate setting is set on:

"HIGH RANGE",	Air Control knob is pulled completely out for fully "Open" position.
"MEDIUM RANGE",	Air Control knob is between fully "Closed" and "Open."
"EXTENDED BURN",	Air Control knob is pushed completely in for fully "Closed" position.

NOTE: The Air Control knob settings for your unit could vary due to type and quality of fuel used. Therefore, it is suggested that you establish the settings that best suit your particular fuel needs. This is done by adjusting the air control knob "OPEN" or "CLOSED" to allow more or less combustion air to increase or decrease the rate of burn.

OPERATING YOUR PELLET APPLIANCE (cont.)

STEP 5. TURNING THE UNIT OFF:

- A. Turn the power switch to the "OFF" position. The unit will automatically turn the convection and combustion fans off when the temperatures have reached the shut down range.

AUTOMATIC SAFETY FEATURES:

1. POWER OUTAGES

During a power outage the unit will shut itself down safely. It will not restart unless there is a sufficient firepot temperature to sustain combustion.

2. OVERHEATING

This unit is equipped with an overheat sensor. If the unit becomes overheated, it will shut itself down safely. The appliance will not restart until it has cooled to a safe level. It may be necessary to restart the unit if this occurs. If this happens frequently, turn the unit off and consult with your dealer to determine the problem.

3. BLOCKED FLUE OR DOWN DRAFT PROTECTION

This unit is equipped with a draft flow switch. If a draft restriction or back draft occurs, the unit will automatically shut itself off. If the restriction or back draft is momentary, it will automatically resume operation. If not, you will need to locate the restriction and correct it before restarting your unit.

NORMAL OPERATING SOUNDS

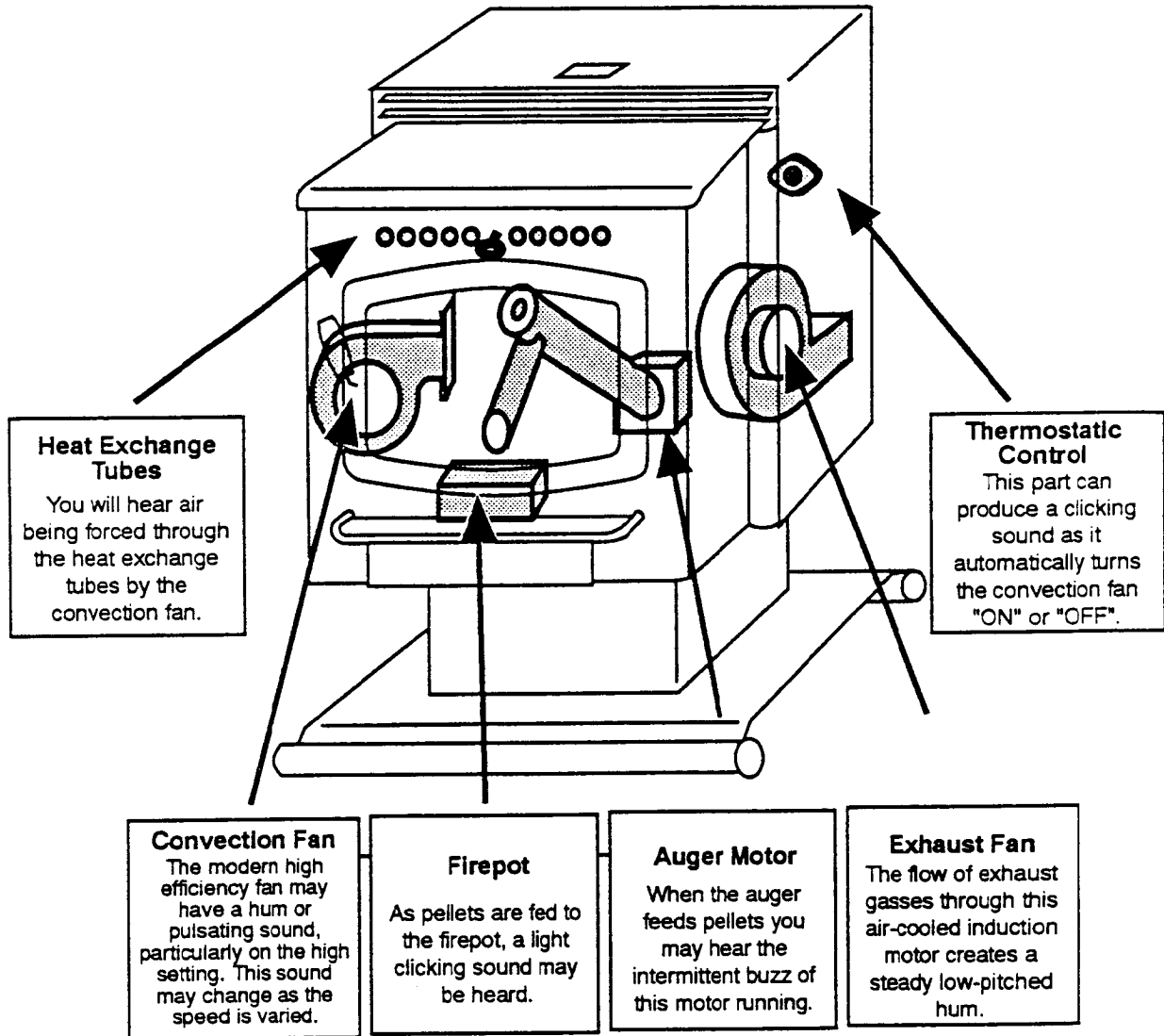


FIGURE 29

CARE AND MAINTENANCE

Weekly Maintenance: (Details on Page 30)

There are several areas and parts of the unit that must be inspected and cleaned at **least** once a week during operation. However, depending on fuel quality and burning habits, this maintenance may have to be performed more frequently. These are:

- A. Heat exchanger tubes.
- B. Ceramic log set. (Optional)
- C. Brick refractory.
- D. Firepot and holder.
- E. Ashpan.

1000 Pounds (1/2 ton) of Fuel Used Maintenance: (Details on Page 31)

There are several areas and parts of the unit that should be inspected and cleaned after every 1000 pounds (1/2 ton) of fuel used. These are:

- A. Repeat Weekly maintenance schedule.
- B. Flyash trap behind the exhaust ducts.
- C. Hopper and auger tube area.

6000 Pounds (3 tons) of Fuel Used Maintenance: (Details on Page 32)

The following areas should be inspected, cleaned and serviced after every 6000 pounds (3 tons) of fuel used.

- A. Repeat weekly maintenance schedule.
- B. Flyash trap behind the exhaust ducts.
- C. Hopper and auger tube area.
- D. Exhaust fan (including exhaust duct system).
- E. Convection fan.
- F. Auger motor.
- G. Chimney system.
- H. Door gaskets.

Maintenance Schedule - Weekly

Prior to carrying out routine maintenance, ensure the appliance is unplugged and has cooled down sufficiently to handle the parts with safety.

Part	Tools Required	Procedure
Heat Exchanger Tubes	Built - in Scraper (See Figure 13)	Keep the door closed while cleaning to contain ash in appliance. After cleaning the tubes with the built - in scraper, open the door and brush all the flyash into the ashpan.
Ceramic Log Set	Stiff Brush (supplied)	Using a stiff brush, brush the flyash off of the log set into the ash pan. Remove the log set from the firebox. (See Figure 14.)
Brick Refractory	Stiff Brush (supplied)	Using a stiff brush, brush the flyash off of the brick refractory into the ashpan.
Firepot	Stiff Brush (supplied)	To inspect and clean firepot, remove the entire assembly as shown in figure 15. Using a stiff brush, clean all the deposits from the firepot grate. Make sure the holes are not blocked. When this is completed, clean the firepot of all flyash. NOTE: Regularity of firepot cleaning is subject to the quality of fuel being used.
Ashpan		Remove the Ashpan (located under the ashlip) and dispose of the flyash in a safe manner. (See Figure 18.)

Maintenance Schedule - 1000 lbs (1/2 ton) of Fuel Used

Prior to carrying out routine maintenance, ensure the appliance is unplugged and has cooled down sufficiently to handle the parts with safety.

PREPARATION FOR 1000 LB (1/2 TON) MAINTENANCE:

1. Remove all the pellets from your unit. (It will be easier if you let the unit run out.)
2. Repeat the weekly maintenance schedule.

Part	Tools Required	Procedure
Flyash Trap Behind Exhaust Duct	Metal Scraper Stiff Brush Heavy duty Vacuum	Clean the visible flyash from the bottom of the firebox. Clean the flyash trap area using a metal scraper, brush or heavy-duty vacuum. (See Figures 16 and 17.)
	Refer Figure 16: To remove vertical combustion air ducts, start with either the left or right side, lift the side duct up 1/4", pull it towards the front of the stove, move the bottom towards the opposite side, and pull it through the door opening. To remove the horizontal combustion air duct, pull it towards the face of the unit and lift it up and out.	
Hopper & Auger Areas	Heavy-duty Vacuum	Vacuum the inside of the hopper area.
Glass Maintenance	Non-abrasive Glass Cleaner	Should soot or creosote deposits occur on the glass during operation, clean when the stove is cold with a non-abrasive glass cleaner. If the glass should break, wait until the stove and glass is cool before removing. Do not leave the fire unattended during this cool down period as sparks could escape through the broken glass. Do not operate appliance with broken glass. To replace the glass, simply remove the door and unscrew the glass clips. Replace the broken glass with only Avalon glass, available at all authorized Avalon Dealers. The replacement glass is high temperature, high shock glass of Technical Neoceram (R) 5 mm thick. Under normal operating conditions the glass will not break.
<p>NOTE: Inspect the gaskets on the door, glass and ashpan. If they show signs of deterioration, replace them. See your dealer for the proper type and size of gaskets.</p>		

Maintenance Schedule - 6000 lbs (3 tons) of Fuel Used

Make sure the appliance has cooled down sufficiently to handle the parts with safety.

NOTE: We recommend that this service be done by an authorized pellet stove technician.

PREPARATION FOR 6000 LB MAINTENANCE:

1. Unplug the unit and disconnect the exhaust and inlet connections at the rear of the appliance.
2. Remove all of the pellets from the hopper. (It will be easier if you let your unit run out.) Using a heavy-duty vacuum, clean the hopper and auger tube opening of all sawdust and fines.
3. Repeat the weekly maintenance schedule.
4. Repeat the 1000 lbs maintenance schedule.
5. If you have an Insert, you will need to pull it out of the fireplace to carry out this schedule.

Part	Tools Required	Procedure
Brick Refractory		Remove the brick refractory. (See Figure 17.)
Remove Side Panels (Pellet Stoves)	5/16" Wrench or Nut Driver (For Pellet Inserts see panel installation section on page 21)	Remove the sheet metal screws at the back of the unit with a 5/16" wrench or nut driver. (See Figure 19.)
Remove Exhaust Fan	1/4", 5/16 & 9/16" Nut Driver or wrench Vacuum Cleaner Brush	Disconnect the exhaust fan electrical leads. Using the 5/16" nut driver, remove the three fan mounting bolts and the 1/4" hex bolt holding the exhaust duct. Remove the fan, complete with the exhaust tube and insulator, from the appliance. (See figure 20.) When the fan has been removed, inspect the impeller blades, gasket, flow nipple and housing. Clean all the flyash from these areas using a brush and vacuum cleaner. Prior to replacing the fan assembly, check that the silicone seal at the fan and exhaust tubes. If fractured, use Type RTV 500 degree F silicone sealant to reseal the joint. Lubricate the exhaust and convection fans with a few drops only of light machine oil. (See figures 20 & 21.)
Combustion Air Duct	Vacuum Cleaner	Clean the combustion air duct.
Chimney System		Check the chimney system for soot and creosote build-up, and have it cleaned by a certified chimney sweep, if necessary.
Replace the Exhaust Fan	5/16 & 9/16" Nut Driver	Reverse removal procedure.
Replace Side Panels (Pellet Stoves)	5/16" Wrench	Reverse removal procedure.

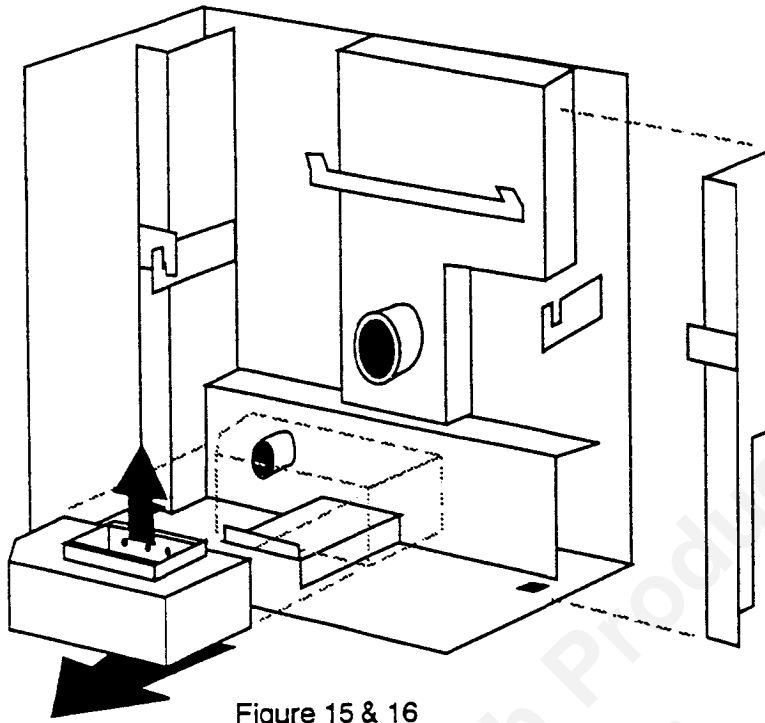


Figure 15 & 16

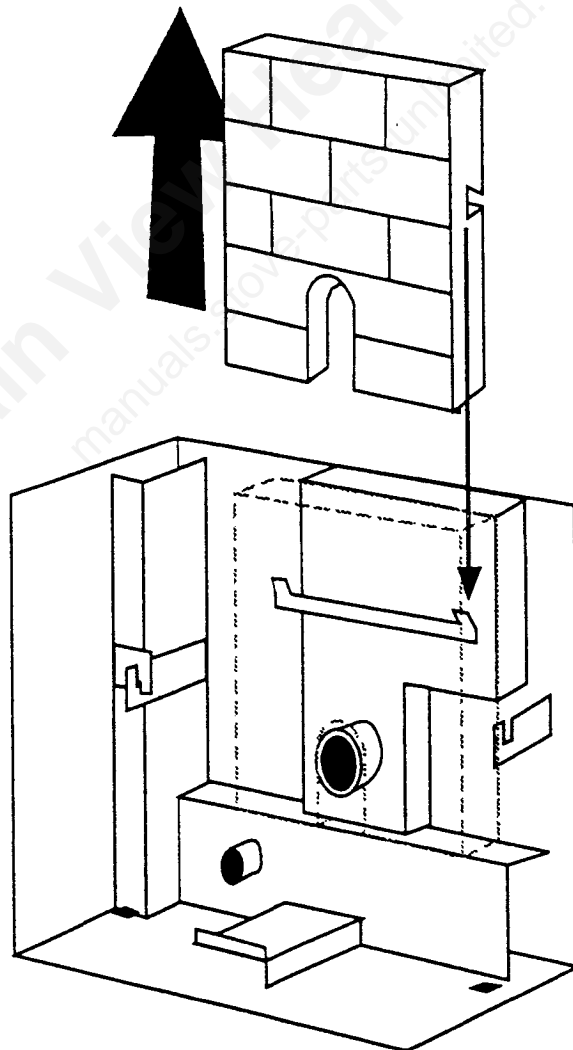


Figure 17

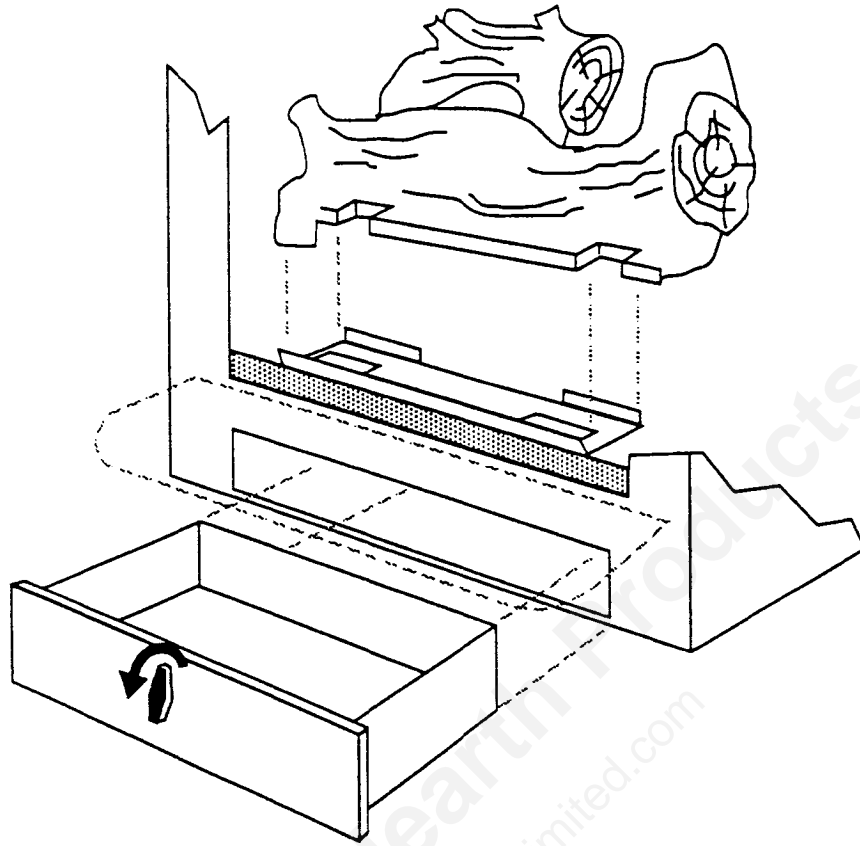


Figure 14 & 18

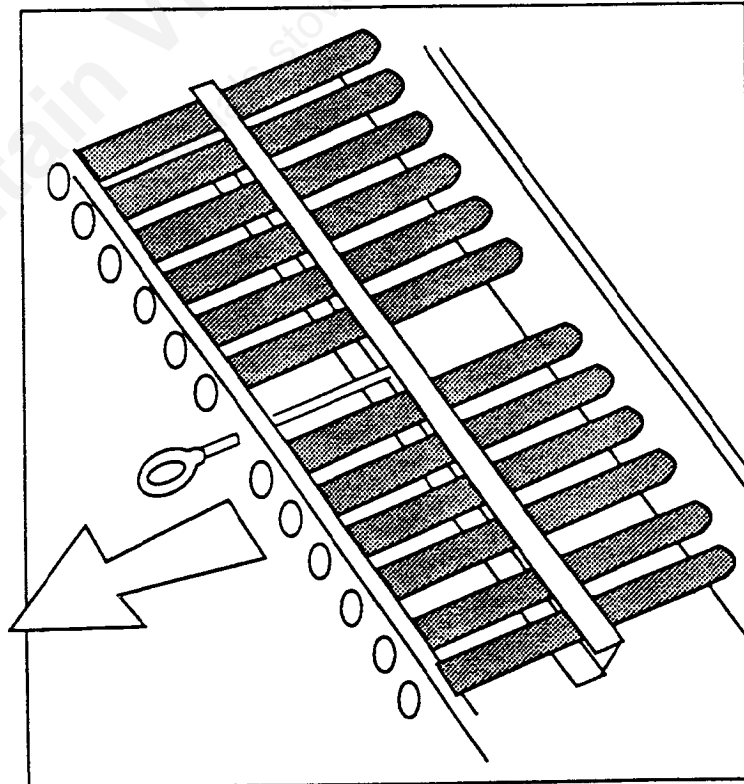


Figure 13

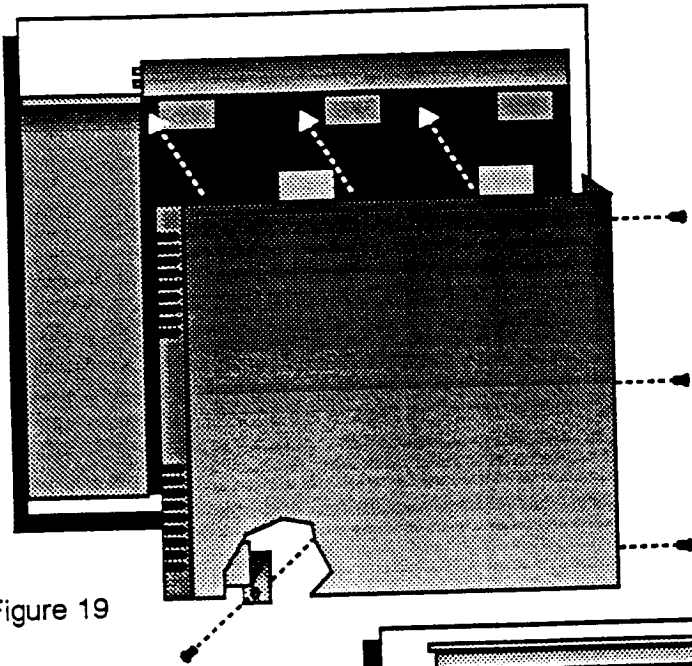


Figure 19

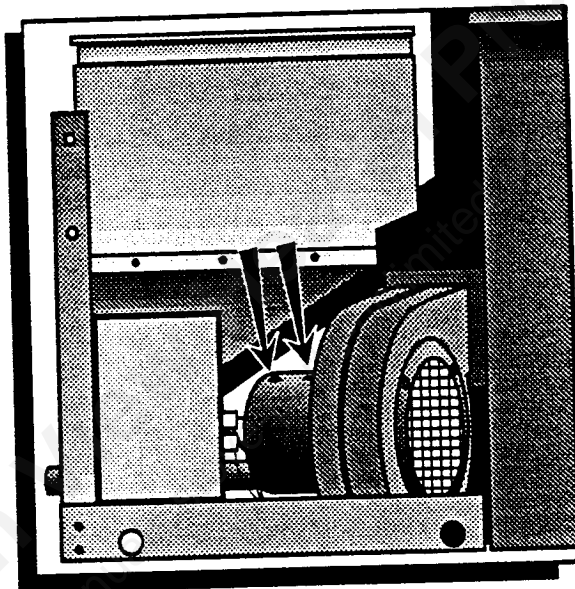


Figure 20

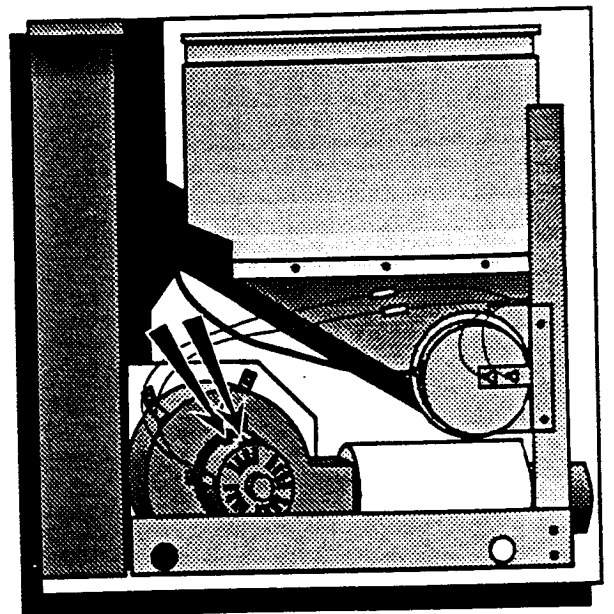


Figure 21

BEFORE CALLING FOR SERVICE

SAVE TIME AND MONEY - CHECK THIS LIST BEFORE YOU CALL FOR SERVICE.

To eliminate unnecessary service calls, first read all the instructions in this manual carefully. The following checklist provides possible solutions to common occurrences that are not the result of defective workmanship or materials in this appliance. Always make sure unit is plugged in and that the circuit breaker has not tripped.

If you do have a problem that you cannot fix yourself, call the dealer where you purchased your appliance. When calling, have this manual handy with the model, serial number and purchase date of your appliance.

Problem	Possible Cause	Don't Call for Service Until You Check
<p>Firepot overfills on start-up.</p> <p>Start-up fire extinguishes itself.</p>	<p>Starting appliance on "HIGH BURN" range.</p> <p>Combustion air inlet blocked.</p> <p>Door ajar.</p> <p>Ashpan open.</p> <p>Firepot not in correct position.</p> <p>Lack of ignition.</p>	<p>Burn rate control is on low burn and air control is closed.</p> <p>Inlet tube is not blocked outside house.</p> <p>Door is latched securely.</p> <p>Ashpan is latched and sealed.</p> <p>Firepot is in correct position.</p> <p>Ensure firestarter is ignited.</p>
<p>Lazy orange flame, smoking exhaust or firepot overfills with pellets.</p>	<p>Restriction in combustion intake tube.</p> <p>Air leak in firebox.</p> <p>Firepot plugged.</p>	<p>Combustion tube intake is not blocked.</p> <p>Door and ashpan are latched.</p> <p>Firepot needs cleaning.</p>

BEFORE CALLING FOR SERVICE

(Cont.)

Problem	Possible Cause	Don't Call for Service Until You Check
<p>Lazy orange flame, smoking exhaust or firepot overfills with pellets. (cont.)</p>	<p>Incorrect air control setting.</p> <p>Combustion air duct restricted.</p> <p>Fuel.</p> <p>Power outage.</p> <p>Restricted exhaust.</p>	<p>Air control is set to suit burn rates. (Open control until fire brightens up).</p> <p>Flyash buildup behind combustion air ducts.</p> <p>Poor quality or wet fuel. Restart unit.</p> <p>Clean vent pipe.</p>
<p>Fire smolders.</p>	<p>Firepot overfilled.</p> <p>Pellets are wet.</p>	<p>Refer to previous check items.</p> <p>Pellets in hopper are dry and all stored pellets are dry.</p>
<p>Pellets not feeding.</p>	<p>Auger not primed.</p> <p>Hopper empty.</p> <p>Power switch not pressed.</p> <p>Start switch not pressed.</p> <p>Appliance not plugged into power outlet or no power available at outlet.</p>	<p>Prime auger.</p> <p>Fill hopper.</p> <p>Power switch is pressed and amber indicating light is on.</p> <p>Start switch is "on".</p> <p>Appliance is plugged into outlet. Circuit breaker or fuse has not tripped.</p>

BEFORE CALLING FOR SERVICE

(Cont.)

Problem	Possible Cause	Don't Call for Service Until You Check
Smoke smell in house and unit has gone off.	<p>Intermittent power failure has shut unit off.</p> <p>Automatic safety feature has shut unit off.</p> <p>Unit was unplugged while under full operation.</p>	<p>Power is on.</p> <p>Wait 1/2 hour and relight. If unit won't light, consult your dealer.</p> <p>Refer to "Operating Your Pellet Stove", page 27, "Automatic Safety Features".</p>
Unit has shut off and hopper is full of pellets.	Automatic safety feature has shut unit off.	Refer to "Operating Your Pellet Stove", page 27, "Automatic Safety Features".
Fire goes out on low burn	<p>Air control setting is too high, blowing flame out.</p> <p>Pellets dropping into burn pot will cause the flame to be knocked down but will come back; this is normal.</p> <p>Fire pot may not be in proper position.</p>	<p>Check air control. Make adjustment to match feed amount; low feed, low air high feed, high air.</p> <p>To adjust it properly, look in the burn pot; there should be a slight movement of pellets.</p>

REPLACEMENT PARTS LIST

All parts listed may be ordered from your **AVALON 900** dealer. When ordering replacement parts, always give the following information:

1. Part Number
2. Part Description
3. Serial Number
4. Date of Purchase

<u>PART NUMBER</u>	<u>PARTS DESCRIPTION</u>
0191	Auger Motor
0291	Auger Assembly
0391	Exhaust Fan
0491	Convection Fan
0591	Control Panel with Switches
0691	Power Control Box
0791	Draft Flow Switch
0891	170° Degrees F N.C. Snap Disc
0991	120° Degrees F N.O. Snap Disc
1091	Power Cord
1191	Draft Flow Switch Tube
1291	Firepot
1391	Ashpan & Door Gasket Set
1491	Door Glass
1591	Ceramic Log
1691	Brick Refractory
1791	200° F. N. C., Snap Disc

LIMITED WARRANTY

TRAVIS INDUSTRIES, INC. warrants the **AVALON 900-PS or PI** pellet appliance to be defect-free in material and workmanship for five (5) years from the date of purchase, with the exception of the electrical components, fans, gaskets, refractory, auger assembly, firepot and moving parts. This does not include service call cost or any other additional charges. Check with your dealer for all costs if arranging a warranty call. The exceptions listed are warranted for one (1) year from the date of purchase to be defect-free in material and workmanship.

Exclusions to this limited warranty include: Injury malfunction to the product, loss, damage, defect, failure to function due to accident, negligence, misuse, improper installation, alteration or adjustment of the manufacturers settings of components, lack of proper and regular maintenance, damage incurred while the unit is in transit, alteration, or act of God.

This limited warranty excludes damage caused by normal wear and tear, such as paint discoloration or chipping, worn or torn gasketing, eroded or cracked refractory, etc. Also excluded is damage to the unit caused by abuse, improper installation, the use of fuel or fuel loads other than specified by the manufacturer or use not set forth in the Owner's Manual. An overfired condition will cause warped metal parts and discolored or burned-off paint.

TRAVIS INDUSTRIES, INC. is free of liability for any damages caused by the unit, as well as inconvenience expenses, material and labor charges incurred by the removal or reinstallation of any **AVALON 900-PS or PI** unit. Incidental or consequential damages are not covered by this warranty. In some states, the exclusion of incidental or consequential damage may not apply.

This warranty does not cover any loss or damage incurred by the use or removal of any component or apparatus to or from the **AVALON 900-PS or PI** unit without the express written permission of TRAVIS INDUSTRIES, INC. and bearing a TRAVIS INDUSTRIES, INC. label of approval.

Any statement or representation of **AVALON 900-PS or PI** products and their performance contained in **AVALON 900-PS or PI** advertising, packaging literature, or printed material is not part of this limited warranty.

This warranty is automatically voided if the unit's serial number has been removed or altered in any way.

Only the original purchaser of an **AVALON 900-PS or PI** appliance is covered by this warranty. If the unit is used for commercial purposes, it is excluded from this warranty.

No dealer, distributor, or similar person has the authority to represent or warrant **AVALON 900-PS or PI** products beyond the terms contained within this warranty. TRAVIS INDUSTRIES, INC. assumes no liability for such warranties or representations.

THIS LIMITED WARRANTY IS THE ONLY WARRANTY SUPPLIED BY TRAVIS INDUSTRIES, INC., THE MANUFACTURER OF THE UNITS. ALL OTHER WARRANTIES, WHETHER EXPRESS OR IMPLIED, ARE HEREBY EXPRESSLY DISCLAIMED AND PURCHASER'S RECOURSE IS EXPRESSLY LIMITED TO THE WARRANTIES SET FORTH HEREIN.

This warranty is limited to the time frame set forth above. In some states, time limitations on warranties do not apply.

HOW TO USE YOUR AVALON 900-PS or PI FIVE-YEAR WARRANTY: If you find your unit to be defective in workmanship or material within a 5-year period from the date of purchase contact your local authorized **AVALON 900-PS or PI** dealer. If your dealer is unable to repair your unit's defect, he may process a warranty claim through TRAVIS INDUSTRIES, INC., including the name of the dealership where you purchased the unit, a copy of your receipt showing the date of the unit's purchase, and the serial number on your unit. At that time, you will be asked to ship your unit, freight charges prepaid, to TRAVIS INDUSTRIES, INC. TRAVIS INDUSTRIES, INC., at its option, will repair or replace, free of charge, your **AVALON 900-PS or PI** unit if it is found to be defective in material or workmanship within the time frame stated within this limited warranty. TRAVIS INDUSTRIES, INC. will ship your unit, freight charges prepaid by TRAVIS INDUSTRIES, INC., to your regional distributor, or dealership.

To register your TRAVIS INDUSTRIES, INC. Five-Year Warranty, complete the enclosed warranty card and mail it within ten (10) days of the unit purchase date to: TRAVIS INDUSTRIES, INC., 10850 117th Place N.E., Kirkland, Washington 98033.

OTHER RIGHTS:

This warranty provides you with certain legal rights. You may have additional rights, which vary from state to state, in regards to this warranty.

UNIT SERIAL NUMBER _____

DATE OF PURCHASE _____

DEALER NAME AND ADDRESS : _____

Complete and
save for your
records

Travis Industries, Inc. reserves the right to change, without notice, product features or specifications described.



Travis Industries, Inc.
10850 117TH PLACE N.E. KIRKLAND, WA 98033

PRODUCT LISTING INFORMATION

WARNING—DO NOT REMOVE OR COVER THIS LABEL
Listed Pelletized Solid Fuel Burning Appliance
For use in masonry/factory built (ZC) fireplaces

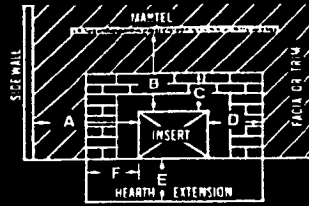


Serial No: **WHK0000**

AVALON
WOODSTOVES™

Model: 900-PI Electrical Rating: 115 V, 60 Hz, 3 Amp
Report No: 6254 (JULY 1991) Tested to: UL1482/ASTM/ULC S628
Maximum Input Rating: 5.0 lbs/hr-2.27 kg/hr

Install and use only in accordance with the installation and operating instructions. Contact local building or fire officials about restrictions and installation inspection in your area. Do not remove bricks or mortar from masonry fireplace or alter factory built fireplace.



Minimum Clearance to Combustible Materials (Measured from Insert Top)

Adjacent Sidewall	A	9 in/230 mm
Mantle	B	13 in/330 mm
Top Facing	C	12 in/305 mm
Side Facing	D	8 in/205 mm

Combustible floor beyond hearth extension must be protected by a non-combustible material, extending 0 in/0 mm (E) to the front and 0 in/0 mm (F) to sides of door opening.
Components Required for Masonry Fireplace Installation: Direct flue connection.
Components Required for Factory Built Fireplace Installation: Listed 3 in/75 mm or 4 in/100 mm diameter flue liner.

For use with 1/4 in/6 mm to 5/16 in/7 mm diameter pelletized wood fuels only.
Replace glass only with 5 mm ceramic glass.
Do not route power cord beneath heater. The space beneath the heater must not be obstructed. Do not obstruct combustion air openings. Operate only with viewing door and ash removal tray tightly closed. Keep all furnishings well away from heater.

Manufactured by **Travis Industries, Inc.**
10850 117th Pl. N.E. Kirkland, WA 98033

WARNING—DO NOT REMOVE OR COVER THIS LABEL



Listed Pelletized Solid Fuel Burning Appliance
Also for Use in Mobile Homes
Model: 900-PS

Serial No: **NER-QA 219**

I.C.B.O. No. NER-QA 219

Report No: 5820 (MAY 1991) Tested to: UL1482/ULC S627/CSA B368.2/ASTM E-91 Draft

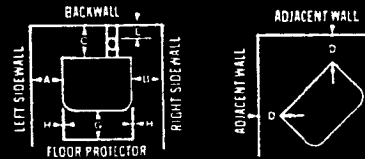
Maximum Input Rating: 5.0 lbs/hr-2.27 kg/hr Electrical Rating: 115 V, 60 Hz, 3 Amp

This pellet fired appliance has been tested and listed for use in manufactured homes in accordance with Oregon Administrative Rules 814-23-900 through 814-23-909.

Install and use only in accordance with the installation and operating instructions. Contact local building or fire officials about restrictions and installation inspection in your area. Use only listed 3 in./75 mm or 4 in./100 mm diameter listed type "L" Vent complete with components. See manufacturer's installation instructions for precautions required for passing a vent through a combustible wall or ceiling. Do not connect this appliance to a vent serving another appliance.

Minimum Clearance to Combustible Materials (Measured to Stove Top)

		Interior Vertical Flue Installation	Horizontal Through the Wall Installation
Left Sidewall	A	9 in/225 mm	9 in/225 mm
Right Sidewall	B	9 in/225 mm	9 in/225 mm
Backwall	C	11 in/280 mm	3 in/75 mm
Corner	D	2 in/50 mm	2 in/50 mm
Flue Vent	E	3 in/75 mm	3 in/75 mm



Maximum alcove depth 48 in/1220 mm, min ceiling height 60 in/1525 mm.
Combustible floor must be protected by a non-combustible material, extending to the front (G) 8 in/150 mm and to the sides (H) 0 in/0 mm.

For use with 1/4 in/6 mm to 5/16 in/7 mm diameter pelletized wood fuels only.
Replace glass only with 5 mm ceramic glass.
Do not route power cord beneath heater. The space beneath the heater must not be obstructed. Outside combustion air is mandatory for mobile home installation. Do not obstruct combustion air openings. Operate only with viewing door and ash removal tray tightly closed. Keep all furnishings well away from heater.

Mfg. by TRAVIS INDUSTRIES, INC.
10850 117th Pl. N.E.
Kirkland, WA 98033

AVALON
HEATING SYSTEMS™