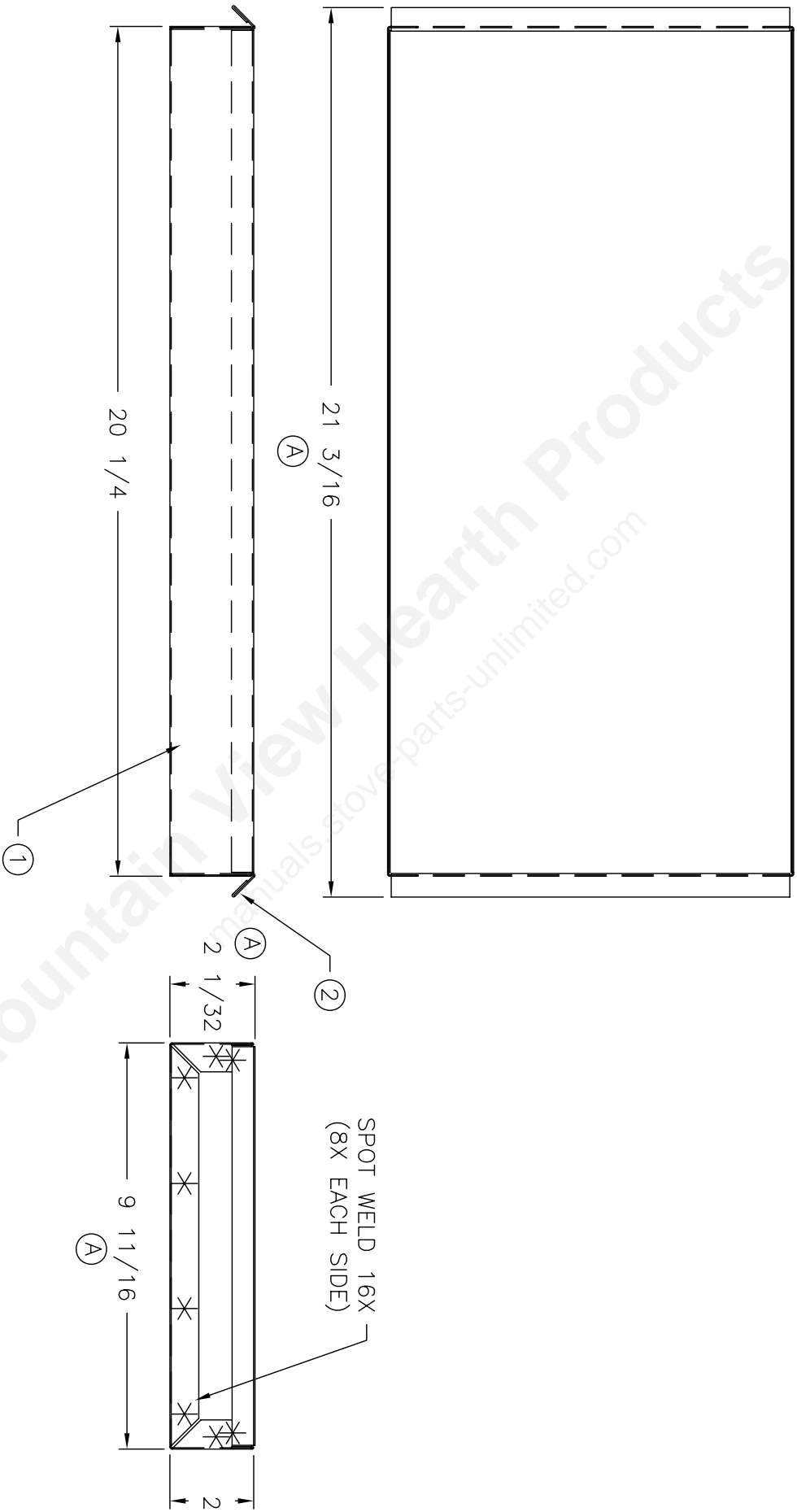


KEY	PART NO.	DESCRIPTION	QTY.
1	22687	ASH PAN BODY	1
2	21549	ASH PAN END	2

REV	ECN	DESCRIPTION	DATE	BY
A		RELEASED		
		9 11/16 WAS 9 5/8, 2 1/32	10-6-94	CAB
		WAS 2 1/8, 21 3/16 WAS 21 3/8.		



TOLERANCES EXCEPT AS NOTED	Holes +	FRACTIONAL -	ANGULAR -	MATERIAL	FINISH	SCALE	DATE	SIZE	REV	TITLE	NUMBER
AS NOTED						1/4	12-29-87	C	A	ASH PAN WELD.	68238
				REFERENCE 1300						UNITED STATES STOVE COMPANY	
										ESTABLISHED 1869	