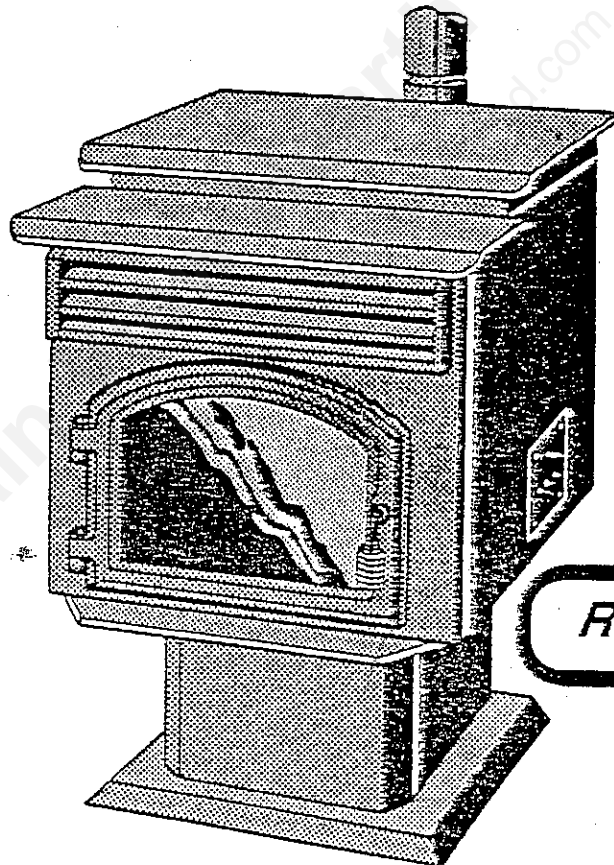


**MODEL 5440
OWNERS MANUAL
PELLET HEATER**



- ASSEMBLY
- INSTALLATION
- OPERATION
- REPAIR PARTS

READ ME FIRST!!

CAUTION
READ ALL INSTRUCTIONS CAREFULLY
BEFORE STARTING THE INSTALLATION
OR OPERATING THE FURNACE

IMPROPER INSTALLATION
MAY VOID YOUR WARRANTY
SAVE THIS MANUAL FOR
FUTURE REFERENCES



UNITED STATES STOVE COMPANY

111 Industrial Drive • P.O. Box 151
South Pittsburg, TN 37380
(615) 837-2100



85026 - 9/93

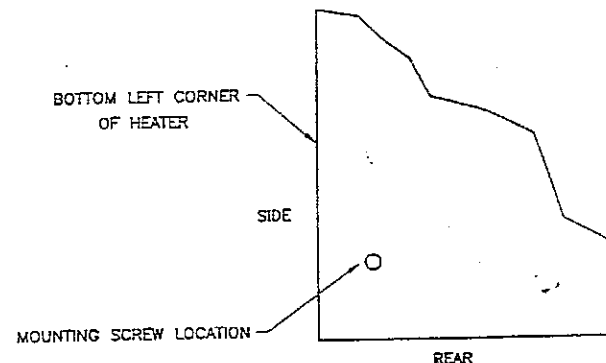
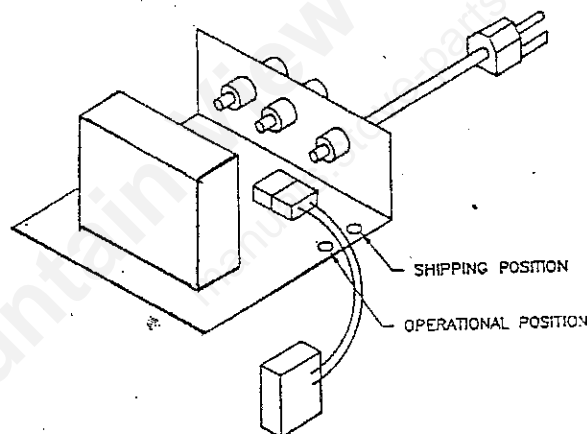
INSTALLATION PREPARATION

1. Remove all packaging materials, being careful to not damage the printed circuit board control panel.
2. Inspect the unit for damage and for any obviously loose or missing parts.
3. Remove the starter pack and other components from either the hopper or from behind the glass door (firebox).
4. In order to adequately protect the 12 Volt couplers located in the lower left rear of your 54" PARAGON from damage during shipment and handling, the module has been moved forward from its operational position. In order to relocate, please perform the following operation:

INSURE THIS APPLIANCE IS UNPLUGGED AND OTHERWISE REMOVED FROM ANY POWER SOURCE, EITHER 110 AC OR 12 VOLT DC

- 1) Refer to the below diagrams.
- 2) Locate the mounting screw on the bottom left corner of the heater.
- 3) Remove the screw with either a 1/4" hex head driver or a slotted screw driver. Retain the screw.
- 4) After the mounting screw has been removed, pull the power module to the rear of the stove. To properly locate, it may be necessary to reach in with your hand (**WATCH OUT FOR SHARP OBJECTS**) and position the mounting plate over the mounting screw location and in the operational position as shown.
- 5) Re-attach sheet metal screw and secure. Do not overtighten.

FIG. 1



TOOLS

PENCIL
6 FOOT FOLDING RULE OR TAPE
TIN SNIPS
DRILL, HAND OR ELECTRIC
DRILL BIT (FOR SHEET METAL SCREWS) 1/8" DIA.
SCREW DRIVER (BLADE TYPE)
GLOVES
SABRE SAW
5/16" NUT DRIVER OR
5/16" SOCKET W / RATCHET
SAFETY GLASSES

MATERIALS

3" UL LISTED PELL VENT CHIMNEY
SEE INSTALLATION
RTV 500 SILICONE SEALANT
PROPER SIZE FLOOR / WALL
PROTECTOR

TABLE OF CONTENTS

	Page No.
I. SAFETY	4
A. General	4
B. Installation	4
C. Operation	5
D. Precautions	9
II. POWER AND CONTROL PANEL HOOK-UP	12
III. OPERATING INSTRUCTIONS	12
A. Pellet Fuel	12
B. Priming the Auger	14
C. Start-Up	14
D. Running	14
E. Shut-Down	15
F. Safety Features	15
1. Pressure Sensor	15
2. Overheat Sensor	15
G. Burn Characteristics	15
IV. INSTALLATION INSTRUCTIONS	15
A. Conventional	15
B. Mobile Home	15
C. Horizontal Venting	15
D. Outside Air Intake	19
E. 12-Volt Installation	20
V. CLEANING AND MAINTENANCE	20
A. Level One	20
B. Level Two	21
C. Level Three	21
VI. GLASS REPLACEMENT AND CARE	23
VII. TROUBLE-SHOOTING	24
A. Pellets Not Feeding	24
B. Start-Up Fire Goes Out	25
C. Fire Overfills on Start-Up	25
D. Lazy Flame, Dull Red to Orange Color	26
E. Fire Goes Out or Stove Quits Automatically	26
F. Smoky Exhaust	27
G. Stove Shut Off; Hopper Still Full	27
H. Firepot Overfills and Spills Over	28
I. Blower Not Operating	28
J. Auger	28
K. Soot/Ash Around Stove / In House	28
L. Unburned Pellets Building Up	28
M. Window Frequently Soots Up	30
N. Smoke Smell in House and Unit Off	30
O. Smoldering	30
P. Test Checks - Unusual Problems	30
Q. Noises	32
VIII. OPTIONS	33
A. Thermostat	33
B. Mobile Home Kit	33
C. Direct Air Access Kit	33
D. 12 Volt DC Conversion Kit	33
E. Extended Hopper Kit	33

Congratulations!

A) You have purchased one of America's finest pellet burning heaters, the PARAGON from United States Stove Company, North America's oldest manufacturer of solid fuel appliances. **WELCOME** --to the new world of heating with pellets; by doing so, you are helping to conserve America's energy. Pellets are made primarily from sawdust, an all too often wasted by-product from timber operations, sawmills and furniture companies.

Not only are you using a fuel previously going to waste and often occupying space in landfills you're also helping the environment more directly, as pellets burn clean with very little ash, while producing an incredible amount of heat in BTU's per pound.

Please take the time to thoroughly read this manual and familiarize yourself with the instructions before installing or burning your PELLET heater. Remember, this is not a WOOD STOVE. It is a PELLET STOVE and differs in installation, operation and maintenance.

B. SAFETY WARNINGS

Do not attempt to repair, replace or modify any part of your PARAGON Pellet Heater unless explicit instructions are given in this manual. The circuit board (and/ or control panel) contain no parts serviceable by the consumer.

C. SAFETY NOTICE: If this heater is not properly installed, a house fire may result. For your safety, follow closely the installation directions. Contact local building or fire officials about restrictions and installation inspection requirements in your area.

D. SAFETY / INSTALLATION CAUTIONS:

- 1) The floor upon which your PARAGON Pellet Heater is installed must be non-combustible otherwise protected by a non-combustible floor protector. Follow the instructions in this manual for size and type of floor protection required.
- 2) If installing this stove in conjunction with a masonry chimney, be sure the chimney is in good condition and meets the minimum standards of the National Fire Protection Association (NFPA) Standard 211. (Read further.)
- 3) Special methods are required when passing a chimney or connector through a wall or ceiling. Follow the chimney manufacturer's instructions and local building codes.
- 4) Stove surfaces become hot during use. Keep children away from stove during operation.
- 5) Repair and replacement of any part of this stove must be done by a trained technician, unless specific instructions are given in this manual.

E. RULES FOR SAFE INSTALLATION AND OPERATION:

Read these rules and the instructions carefully. Failure to follow them will cause a hazard that could result in death, serious bodily injury, and / or property damage:

- 1) Check your local codes. The installation must comply with their rulings.
- 2) DO NOT INSTALL this stove in a mobile home, trailer or manufactured home WITHOUT the optional Mobile Home Kit.
- 3) Connect this stove only to the proper chimney (UL listed PL pell vent), which is stainless on the inside and either galvanized or painted metal on the outside. It is of double-wall construction. You may also connect your stove to an approved UL listed Class A all-fuel chimney or to a recently inspected LINED MASONRY CHIMNEY. If you plan to use a masonry chimney, you should install either an approved stainless steel flexible duct or the above mentioned PL pell vent in the chimney itself extending from the chimney breach (opening) up the full length of the chimney to the chimney top. Connections between the stove and the chimney should also be PL pell vent.
- 4) Do not connect this stove to an aluminum Type B gas vent. This is not safe and is prohibited by the National Fire Protection Association Code.
- 5) If you are using a masonry chimney as described above, make sure it is in good repair and of sound construction and has been inspected by the fire department or a qualified Chimney Sweep.
- 6) Inspect the chimney connector and the chimney before and frequently during the heating season for any deposit of creosote or ash which should be removed.
- 7) Provide air for combustion into the room where the stove is located. If the intake is not in the same room, air must have free access to the room.
- 8) Cast iron parts, including the fire pot and feed door must be "seasoned" to avoid cracking. Do this by building small fires only for the first hour of use.
- 9) To prevent injury, do not allow anyone to use this stove who is not familiar with the correct operation.
- 10) For further information on using your stove safely, obtain a copy of the NFPA publication (NFPA 211). Their address is NFPA, Battery March Park, Quincy, Massachusetts 02269.

UNITED STATES STOVE COMPANY

CONVENTIONAL AND ALCOVE CLEARANCES TO COMBUSTIBLES

PARAGON MODEL 5440

THE FOLLOWING ARE CLEARANCES TO COMBUSTIBLES:

1. CONVENTIONAL CLEARANCE

- (A) LEFTSIDE 3" IN./ (75mm)
- (B) RIGHTSIDE 3" IN./ (75mm)
- (C) BACKWALL 4" IN./ (100mm)
- (D) CORNER WALL 3" IN./ (75mm)
- (E) FLUE TO WALL 3" IN./ (75)
- (F) FLOOR PROTECTION FRONT 6" IN./ (150mm)
- (G) " " SIDES 0" IN./ (0mm)

2. ALCOVE CLEARANCE

MINIMUM ALCOVE WIDTH 27.5" IN./ (700mm)
MINIMUM ALCOVE HEIGHT 56" IN./ (1424mm)
MINIMUM ALCOVE DEPTH 36" IN./ (915mm)

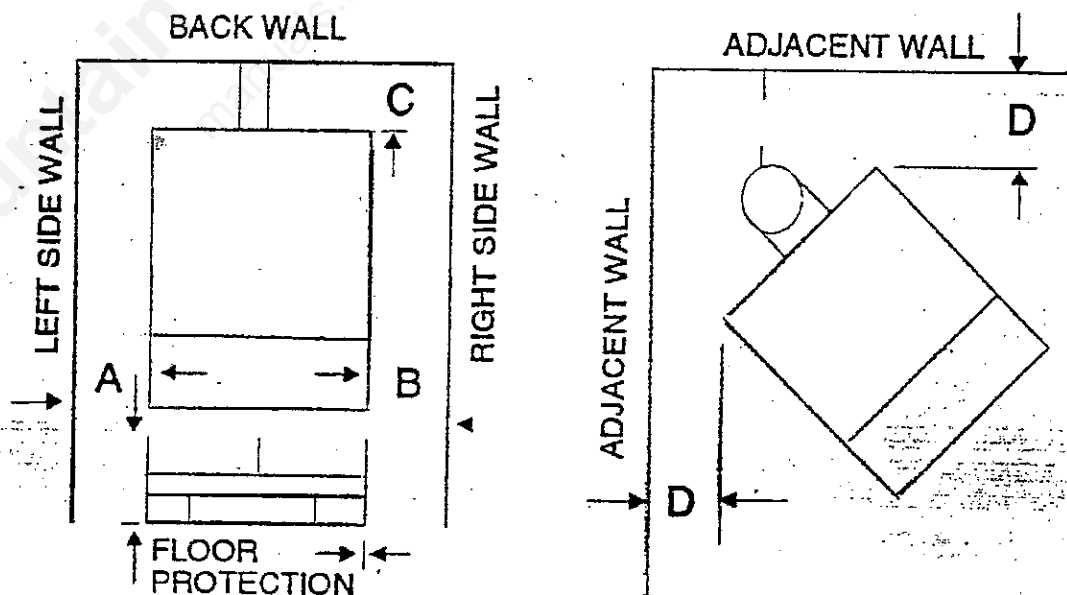


FIG. 1-B

UNITED STATES STOVE COMPANY

CLEARANCE TO COMBUSTIBLES:

PARAGON

THE FOLLOWING ARE CLEARANCES TO COMBUSTIBLES:

1. MASONRY FIREPLACE BUILT TO UBC CHAPTER 37
OR ZERO CLEARANCE FIREPLACE BUILT TO UL127.

(A) 6" IN.

(B) 3" IN.

(C) 3" IN.

(D) 3" IN.

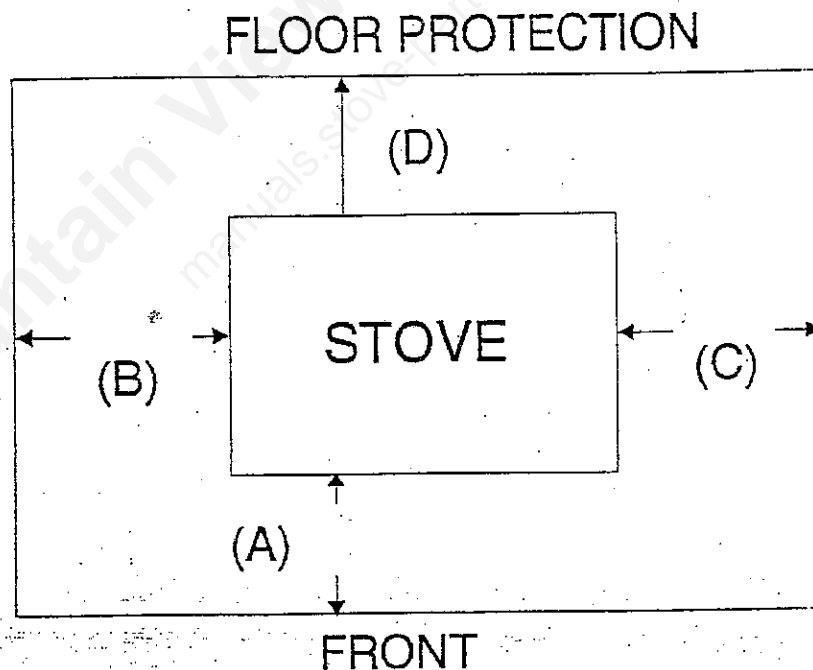


FIG. 1-C

11) Keep your ash pit section free of excess ashes.

12) Disposal of ashes - - Place ashes in a metal container with a tight fitting lid. Keep the closed container on a non-combustible floor or on the ground, well away from all combustible materials. Keep the ashes in the closed container until all cinders have thoroughly cooled. The ashes may be buried in the ground, or, if you're into organic gardening, they do make an excellent fertilizer (potash).

13) The special paints used on your stove may give off some smoke while they're curing during the first few fires.

This heater should be burn-tested outside in a well ventilated area for at least one hour, as per the operating instructions. Build small fires at first. The metal used in the construction of the interior of the stove has a light coating of oil. This could give off smoke and / or odors from the stove when it is burned for the first time. Once this burn-off has occurred, it should not reoccur.

14) Caring for painted parts - - This stove has an enamel painted outside jacket. This paint is durable, but will not stand rough handling or abuse. When installing the stove, use care in handling. Clean with soap and warm water only, and then only when the stove is cool to the touch. Do not use any acids or scouring soap, as these wear and dull the finish. DISCOLORATION WILL OCCUR IF THE STOVE IS OVERFIRED. FOLLOW THE OPERATING INSTRUCTIONS CAREFULLY.

15) DURING OPERATION THE CAST IRON FRAMED CERAMIC GLASS DOOR AND PELLET HOPPER LID MUST BE CLOSED, NOT ONLY FOR SAFETY REASONS, BUT ALSO FOR PERFORMANCE.

16) Glass Care and Maintenance - - During normal operation, soot and / or creosote will accumulate on the glass and will need to be removed for full viewing pleasure. Clean the glass when the stove is cold with a non-abrasive cleaner. Take care to not scratch the ceramic glass, as scratches not only cloud the surface, they also weaken the glass. (See instructions under MAINTENANCE.)

GLASS BREAKAGE: Should the glass break during operation, turn the switch to the OFF position. This will enable the stove to cool more rapidly. After the stove and glass are cool, the glass may be removed, following the directions below. In the meantime, do not leave the stove unattended, as there will be a spark hazard until the fire is completely out. Never operate the PARAGON Pellet Heater with a broken ceramic glass.

GLASS REPLACEMENT: (See maintenance instructions in rear, on Page 23.)

INSTALLATION PRECAUTIONS: Your unit should be installed by a qualified installer. Improper installation could void your warranty.

Your PARAGON Pellet Heater works with a positive pressure. Therefore, it is imperative that installation of the exhaust system be correctly done. United States Stove Company has no control over the installation of your stove, and thereby grants no warranty, implied or stated, for the installation or maintenance of your stove, and assumes no responsibility for any consequential damages.

Stainless steel chimney liners are required for listed factory-built fireplace installations.

FURTHER INSTALLATION PRECAUTIONS: Do not use single-wall pipe to vent exhaust from this heater, or as a connector to a chimney. The only authorized exhaust vent pipe designed for use with this appliance is 3" UL Listed, Type PL pellet vent pipe specifically designed for use with pellet burning appliances.

Do not connect this appliance to a chimney flue serving another appliance.

DETAILED SAFETY PRECAUTIONS: Fuel - - The PARAGON Pellet Heater is designed and approved to burn rated APFI (American Pellet Fuel Industry) Standard 1/4" pelletized wood fuel performance will suffer if non-standard pellets are used. Burning solid fuel, other than in pellet form, is not permitted and will void all warranties and the safety listing of the stove.

The PARAGON'S exhaust system works with a positive combustion chamber and a somewhat lower position chimney pressure. Therefore, it is imperative that the exhaust systems be completed airtight, sealed and properly installed. All chimney joints should be sealed with RTV silicone sealant (RTV 500).

Do not obstruct the free flow of air through the open vents of this heater.

Do not allow children to play around the heater without adult supervision. Do not touch the heater while it is in operation, as serious burns may result. Do not allow anyone to operate the heater who is not familiar with the operating instructions.

The PARAGON must be connected to a grounded standard 120 volt, 60 hz electrical outlet (or a SEALED battery backup system). Insure that the power cord remains behind the unit and is not pinched by the base of the heater. Before attempting any maintenance procedures, insure the PARAGON has cooled for several hours.

Your power supply cord must be routed to avoid contact with any hot or sharp surfaces of the heater. The power supply cord should be connected to a grounded standard 120 volt, 60 hz electrical outlet (or a SEALED battery back up system). If the receptacle you plan to use has no provisions for the ground prong, that circuit should be rewired with proper grounding. Do not remove the grounding prong from the power cord, and never use a grounding adaptor plug. It is quite possible the receptacle to which that adaptor plus is screwed is itself not grounded. If this appliance is not properly grounded, a serious electrical hazard will result.

Before attempting any cleaning operations or before removing any of the access panels, insure the power cord is disconnected from its electrical source.

NOTE: Switching the control to OFF does not disable all electrical components and circuitry.

Keep fuel and other combustible materials such as furniture, clothing, curtains, doors, louvers, etc. away from the heater.

Combustible materials must not be stored or placed within the clearances to combustibles as illustrated in the Installation Instructions following.

CAUTION: Do not use flammable liquids to start or freshen up a fire in this stove.

KEEP FOREIGN OBJECTS OUT OF THE HOPPER. It is very important to keep children away from the hopper, as they may accidentally drop in their toys. A child could be seriously injured in reaching for a toy if his or her hand became caught by the auger. Serious damage to the auger could result from foreign objects such as a toy, etc.

Only approved fire starters may be used to start the fire. Never attempt to start your PARAGON with gasoline, kerosene or other flammable liquids. Do not store or use gasoline or other flammable vapors, including paint or aerosols or flammable liquids in the immediate vicinity of this heater.

Before installation can be made in a mobile home or modular manufactured home, the PARAGON must be grounded either to the steel chassis of the home or to any other suitable ground (see National Electrical Code) that is of good integrity. Further, the unit must be bolted to the floor of a mobile home or manufactured modular home.

Do not install in a bedroom or sleeping quarters.

Wait several hours for the PARAGON Pellet Heater to cool before carrying out any of the prescribed maintenance procedures.

Never place (or allow to be placed) paper, wood, furniture, drapes or other combustibles near the PARAGON.

Exceptional care must be taken to maintain the minimum clearances to combustibles as specified herein, or, as per your local building codes or fire codes, and following the safety listing label on the back of this heater,

CAUTION: When installing this heater in a mobile home, care must be taken not to interfere with the structural integrity of the mobile home. The floor, wall and ceiling and / or roof must be maintained.

WARNING: Never use an unsealed type of battery nor operate the appliance on a battery without a 12 volt 4 amp in-line fuse on the positive lead (optional accessory).

CONTROL PANEL/ THERMOSTAT HOOK-UP

WARNING! DO NOT CONNECT POWER DURING ELECTRICAL HOOK-UP.

1. CONNECT THE ONE MOLEX PLUG TO THE CONTROL PANEL. DO NOT PULL ON THE WIRE HARNESS INSIDE THE STOVE.

2. CONNECT THE .250 TERMINAL TO .250 TERMINAL SPADE ON THE CONTROL PANEL. DO NOT PULL ON THE TERMINAL WIRE INSIDE THE STOVE.

NOTE: IF YOU ARE NOT GOING TO USE THE THERMOSTAT FUNCTION THEN SKIP STEP #3 THROUGH #7 AND GO TO STEP #8.

3. LOCATE THE THERMOSTAT ON THE WALL TEN (10") TO TWENTY (20") FEET AWAY.

4. ROUTE THE WIRES INTO THE STOVE WHERE THE AC POWER CORD ENTERS.

5. PULL THE THERMOSTAT WIRES THROUGH TO THE CONTROL PANEL CUT-OUT.

6. REMOVE THE FACTORY INSTALLED JUMPER ON THE THERMOSTAT TERMINALS.

7. CONNECT THE THERMOSTAT WIRE TO THE TWO TERMINALS.

NOTE: USE ONLY A LOW VOLTAGE MERCURY SWITCH THERMOSTAT.

8. LOCATE THE CONTROL PANEL IN THE SIDE PANEL CUT-OUT AND SECURE WITH FOUR (4) #6X1/4 PHILLIPS SCREWS (SUPPLIED). DO NOT TIGHTEN.

9. THE STOVE IS READY FOR OPERATION. REFER TO THE OPERATING INSTRUCTIONS.

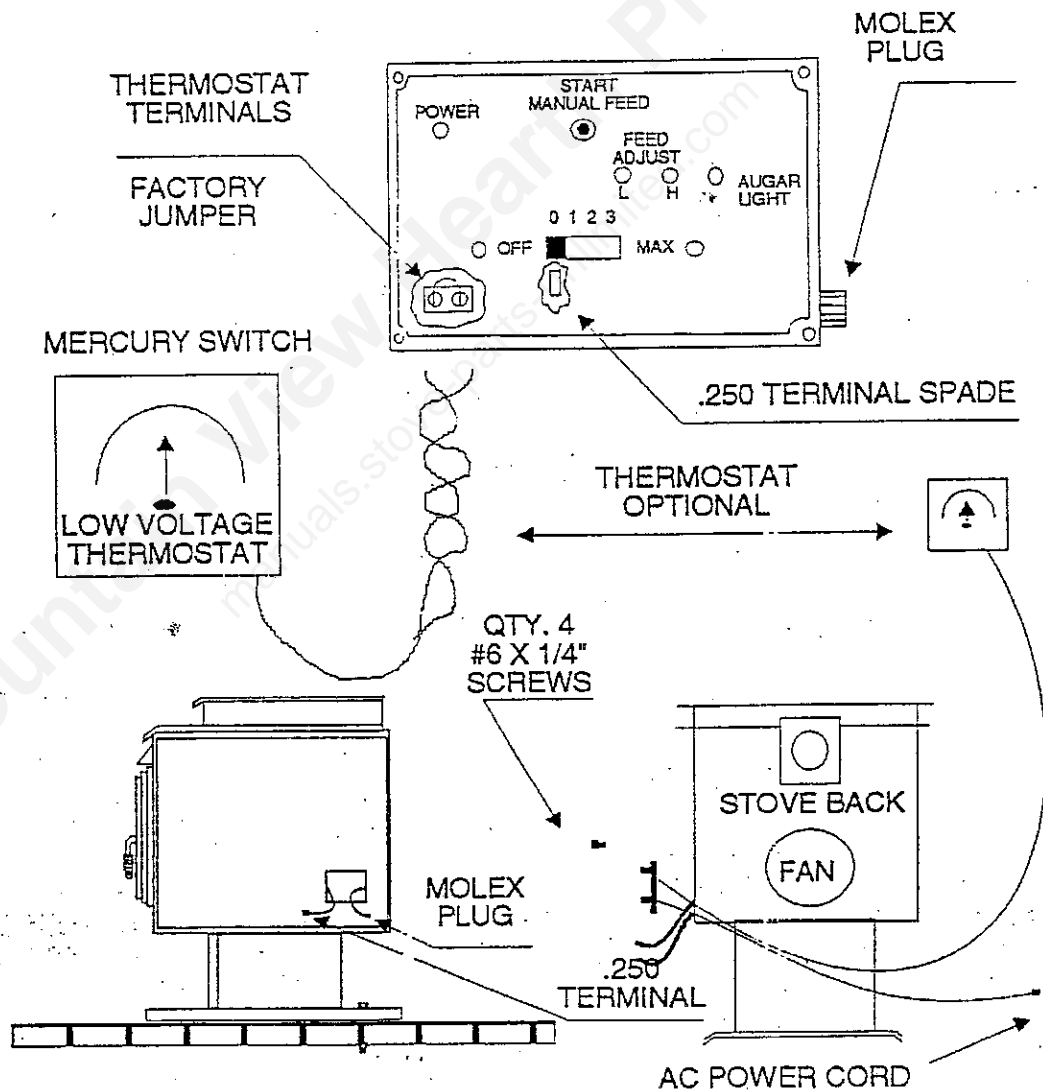


FIG. 2

When the heater is not used for an extended period, such as during the summer months, the 120 volt AC and / or 12 volt DC battery SHOULD be disconnected to extend the life of all electrical components.

When venting into the chimney of a listed factory built fireplace (zero clearance fireplace), it is necessary to use a stainless steel chimney liner, either flexible or rigid; or UL listed PL pellet vent.

II. POWER AND CONTROL PANEL HOOK-UP:

(REFER TO FIG. 2 AND FIG. 3.)

WARNING! Do not connect power during electrical hook-up.

1) Observe the diagram below which pictures the control panel. The control panel must be mounted to the stove, carefully following the further instructions. The control panel and mounting hardware will be found enclosed in a bubble-wrap pack. Which will be taped to the inside of the hopper on the pellet heater.

2) Connect the one-way molex plug to the control panel. Do not pull on the wire harness inside the stove.

3) Connect the .250 female terminal to the .250 terminal spade on the control panel. Do not pull on the terminal wire inside the stove. **NOTE:** If you're not going to use the optional thermostat, then skip Steps 4-7 and go directly to Step 8.

4) Locate the thermostat on a wall 10-20 feet away from the stove.

5) Route the wires into the stove where the AC power cord enters.

6) Pull the thermostat wires through to the control panel cut-out.

7) Remove the factory-installed jumper on the thermostat terminals.

8) Connect the thermostat wires to the two terminals.

NOTE: Use only the low voltage, mercury switch thermostat provided in the optional kit, or its equivalent.

9) Locate the control panel into the side panel cut-out and secure with four No. 6 x 1/4 Phillips screws (provided). Do not over-tighten.

10) Your pellet heater is now ready for operation. Refer to the Operating Instructions.

III. OPERATING INSTRUCTIONS:

1. PELLET FUEL

IMPORTANT. PLEASE READ: The PARAGON Pellet Stove has been designed to burn wood pellets only. Unfortunately, there are a lot of pellets on the market which are substandard. United States Stove Company recommends low ash pellets (Grade A) manufactured to the APFI (Association of Pellet Fuel Industries) Standard for residential pellet fuels.

DIAGRAM AND FEED ADJUSTMENTS

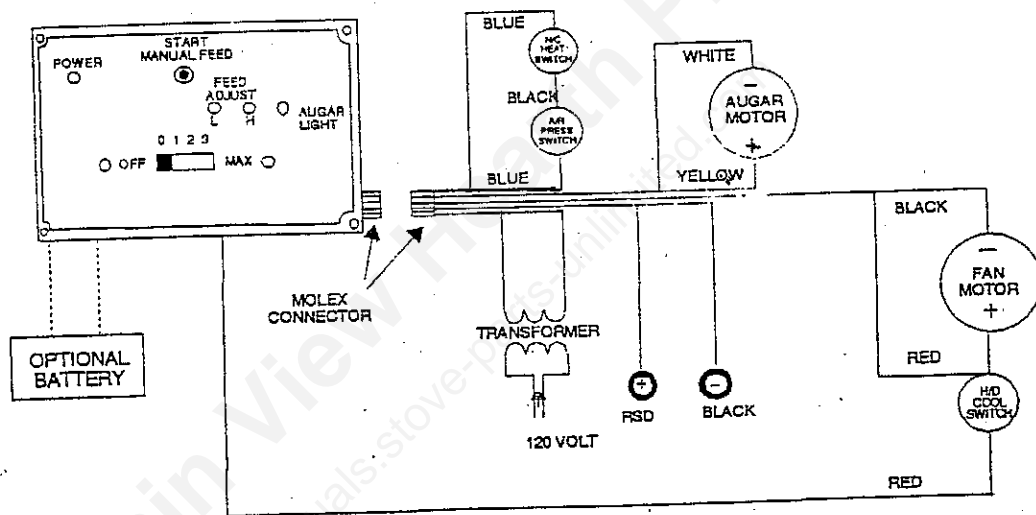
NEVER ADJUST ANY STOVE UNLESS IT HAS BEEN THOROUGHLY CLEANED AND THE FLUE IS CHECKED

1. TO ADJUST LOW BURN RATE, SELECT THE "1" POSITIVE AND OBSERVE THE AUGER LIGHT. THIS WILL INDICATE WHEN THE AUGER IS RUNNING.
2. TURN THE ADJUSTABLE RESISTOR "L" CLOCKWISE TO INCREASE THE BURN RATE AND COUNTER-CLOCKWISE TO DECREASE.
3. TO ADJUST THE HIGH BURN RATE, SELECT THE "3" POSITIVE AND TURN THE ADJUSTABLE RESISTOR "H" CLOCKWISE OR COUNTER-CLOCKWISE AS NEEDED.

NOTE: FAN VOLTAGE ARE FIXED AND MAY NOT BE ADJUSTED.
THE MEDIUM FUEL RATE IS FIXED AND MAY NOT BE ADJUSTED.

RECOMMENDED TIMING: LOW 1.5 SECONDS ON APPROX.
7.5 SECONDS OFF APPROX.

HIGH 4.0 SECONDS ON APPROX.
5.0 SECONDS OFF APPROX.



WARNING: USE A 3 AMP, 50 VOLT DIODE ON THE "+" POSITIVE LEAD BETWEEN THE SOLAR PANEL AND BATTERY AS SHOWN BELOW.

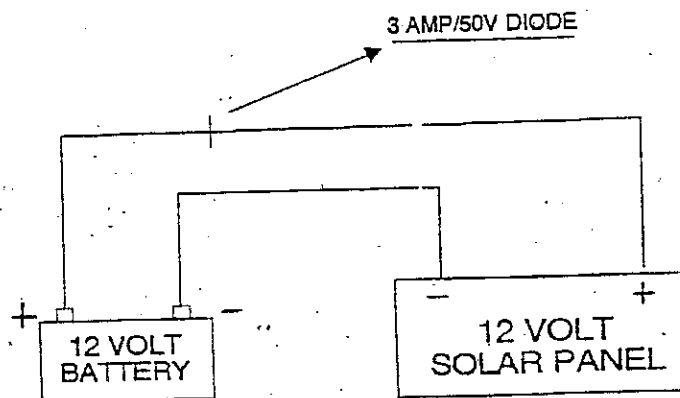


FIG. 3

Be sure and look for the APFI registration number on the bag to insure the manufacturer's compliance with that standard.

2. **NOTE - CAUTION - WARNING:** STORE FUEL IN A CLEAN DRY PLACE.

3. **PRIMING THE AUGER:**

Never leave the stove unattended during priming or start up. Priming the auger is only required when the unit is new or when the hopper has completely run out of fuel.

To prime the auger:

a) Load the hopper with pellets

b) Set the control switch from the OFF / O position to the No. 1 position. **NOTE:** This is the low-fan and / or burn-speed when the stove is operating.

c) Press the "Start and / or Manual Feed" button, and hold the button down for approximately two minutes or until the pellets begin to feed into the burn pot. The auger light will come on, indicating that the auger motor is running. **NOTE:** When the pellets begin to drop regularly, the auger is primed. Allow the pellets to accumulate in the fire pot to approximately 1/2" depth. The start button may now be released.

d) Set the selectable control switch to the OFF / O position.

4. **STARTING YOUR STOVE:** **NOTE:** Each time the stove is started, the fire pot should be checked for debris, and all air-holes should be cleaned. Do not allow ash to build up underneath the fire pot. Inspect and clean before each start-up.

a) Open the door and add approved fire-starter to 1 / 2 " of pellets in the fire pot and light the fire-starter. Once the fire-starter is burning freely, close the door and securely latch it.

b) Pull the air damper control rod located on the side of the unit OUT to the FULL OPEN position.

c) When the pellets are burning well, move the selectable control switch to the No. 1 position. Let the fire continue to build for approximately one minute. Then press the Start / Manual Feed Button momentarily and release. **NOTE:** The green power light will come on, indicating that the auger timer is energized.

5. **RUNNING YOUR STOVE:** **IMPORTANT:** Selecting the proper combustion air is done by moving the air damper control rod in or out to decrease or increase the air flow. (IN is closed; OUT is open.) High altitude or high ash fuel may require more air for efficient fuel combustion. The stove should be started with the damper control rod OUT in the full open position; then, slowly, push the damper control rod IN until a stable, brightly burning flame is achieved. The half-open position is typical for most fuels and installations, once the stove is heated to normal operating temperature.

a) After starting the stove, leave it burning on the LOW setting for at least five minutes to allow the stove to heat to operating temperatures. You

may then set the desired burn rate by moving the control switch to the desired operating position.

b) Select the most efficient burn by adjusting the air damper control rod in or out. Again, altitude and fuel types greatly affect the amount of air required. Half-damper is typical for most installations and fuels. **NOTE:** The operating temperatures of this unit may vary with the different types or grades of fuel used.

6. TURNING THE STOVE OFF: Move the selectable control switch to the OFF / O position. The fan will continue to run for approximately 10 minutes to let the stove cool down, and then automatically shut itself off.

7. SAFETY FEATURES:

a) **Stove Pressure Sensor:** A blocked flue, a down-draft or failure to clean the 3" exhaust in the stove will cause the pressure switch to shut off the fuel feed. To resume operation, it is necessary to locate the cause and correct it. Restart the stove, using the Starting Instructions above.

b) **Overheat Sensor:** If the stove overheats, it will shut itself down safely. The stove will not restart until it has cooled. **WARNING:** Auger jams are leading cause of stove malfunctions. Jams occur due to foreign objects in the fuel, or more commonly, failure to follow the Operating Instructions. Most auger jams are preventable by properly priming the auger as required before starting the stove. Keeping the auger full of fuel will help prevent auger jams, and inspection of the fuel for any foreign objects prior to use will also help. In addition, excessive sawdust can be a problem if it builds up in the hopper and impedes the smooth flow of pellets.

8. PROPER BURN CHARACTERISTICS: Your PARAGON Heater should produce a bright yellow or whitish flame under normal operation. If the flame becomes reddish and / or smoky, your stove probably needs routine maintenance. (See Maintenance Instructions for cleaning information.)

IV. INSTALLATION INSTRUCTIONS: CONVENTIONAL AND MOBILE HOME- NOTE A:

The following are general instructions for installing this stove. The vent pipe manufacturer's instructions should be followed for the vent pipe being used.

NOTE B: Vertical Venting Pipe Sizing - 3", 4", 6", 8". All pipe-sizes work equally well in a vertical installation; but 6" or 8" vent pipe connected directly to the stove will release more back pressure, thereby reducing the efficiency of the stove. It is ideal to start with a standard 3" pellet vent and increase the diameter AFTER a vertical rise of approximately 3 feet. For vertical runs in excess of 18 vertical feet, you should convert your system to a 4" PL UL Listed pellet vent.

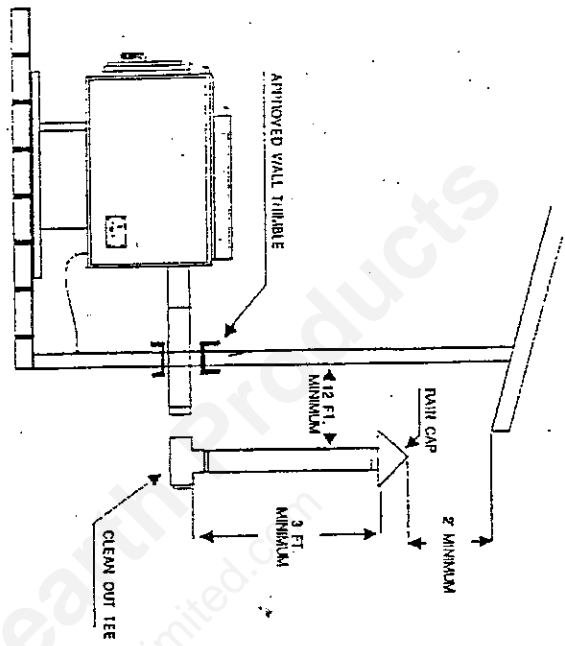
The most common problem associated with vertical venting is the spark-arrestor screens used in some venting caps. Condensation on the screen will collect ash and cause a blockage of the flue gases, creating a poor burn. Overall, however, vertical venting is the most efficient and trouble-free method. (See Fig. 4 below)

NOTE C: Horizontal Venting - - The cleaning of horizontal runs is necessary twice as often as vertical runs due to the suspension "drop-out" from the flue gases. Clean-out tees are therefore recommended where 90° elbows would normally be used. A vertical rise should be used

millimeters minimum. This includes adjacent buildings, fences, protruding parts of the structure, roof overhang, plants, etc.

PARAGON MODEL 5440 EXHAUST VENT TERMINATION SHALL BE LOCATED AS FOLLOWS:

- A MINIMUM OF 4 FEET (1220mm) BELOW, BESIDE AND 1 FOOT ABOVE ANT DOOR, OR WINDOW THAT OPENS, OR ANY OPENING INTO A BUILDING.
- A MINIMUM OF 2 FEET (610mm) FROM ANY ADJACENT BUILDING OR OVERHANG.
- A MINIMUM OF 7 FEET (2130mm) ABOVE GRADE, WHEN LOCATED ADJACENT TO PUBLIC



CLEAN OUT REQUIRED WHEN MAXIMUM OF TWO 90 DEGREE BENDS ARE USED

HORIZONTAL RUN' SHALL BE MAXIMUM OF 3' FEET

OPTIONAL DIRECTIONS SHOWN

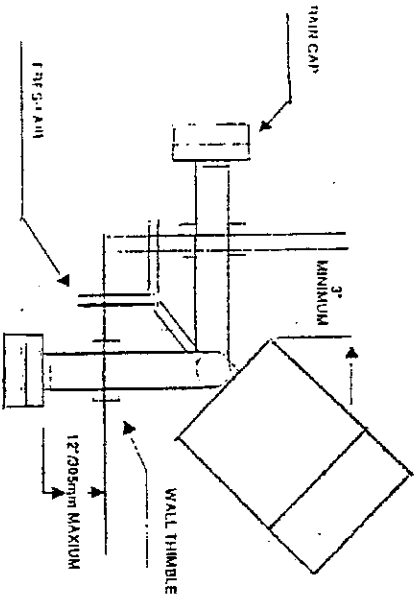
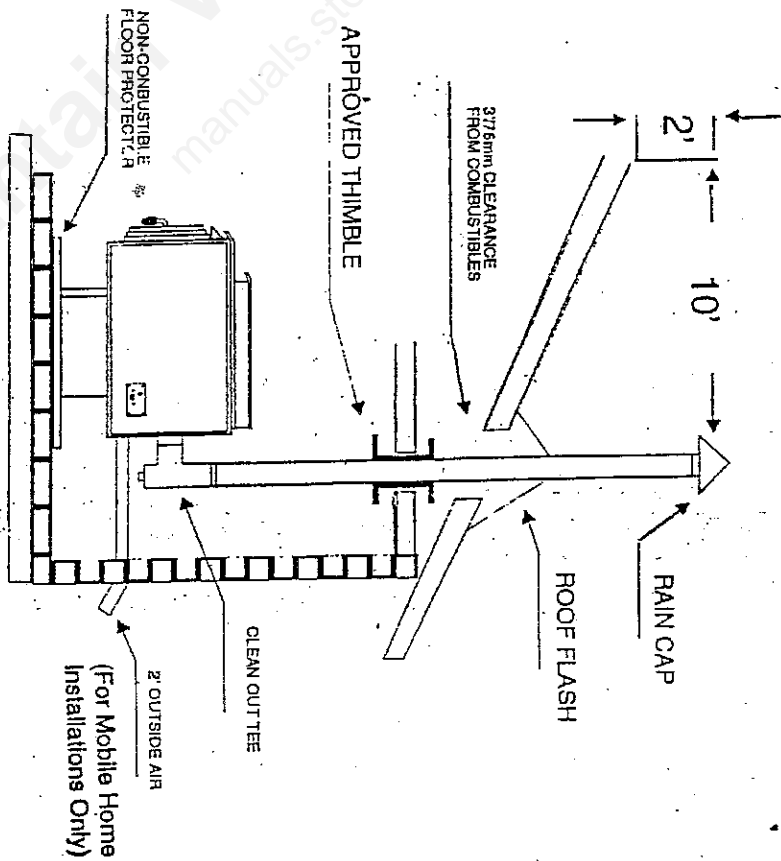


FIG. 4

STANDARD VERTICAL INSTALLATION PARAGON MODEL 5440

THE EXHAUST VENT TERMINATION ON EITHER VERTICAL OR HORIZONTAL INSTALLATION SHALL BE AS FOLLOWS:

- A MINIMUM OF 4 FEET (1220mm) BELOW OR BESIDE AND 1 FOOT (302mm) ABOVE ANY DOOR OR WINDOW THAT OPEN, OR ANY OPENING INTO A BUILDING.
- A MINIMUM OF 2 FEET (610mm) FROM ANY ADJACENT BUILDING OR OVERHANG.
- A MINIMUM OF 7 FEET (2130mm) ABOVE GRADE WHEN LOCATED ADJACENT TO PUBLIC WALKWAY.
- A MINIMUM OF 2 FEET (610mm) ABOVE GRASS, PLANTS OR OTHER COMBUSTIBLES.



APPROVED FOR USE WITH 3" LISTED PELLET VENT PIPE. ADAPTERS TO 4", 6", AND 8" DIAMETER APPROVED LISTED VENTING SYSTEMS MAY BE USED PROVIDED A MINIMUM OF EIGHTEEN INCHES OF 3" DIAMETER PELLET VENT IS USED AS A STARTER SECTION BEFORE MAKING THE CONNECTION.

2" OUTSIDE AIR (For Mobile Home Installations Only)

when direct venting horizontally, either before or after exiting the exterior wall to avoid back-draft into the stove. Back pressure, due to multiple turns in the flue pipe, or as a result of atmospheric pressure, may cause the pressure switch to activate, shutting down the fuel feed. This can also happen when the stove is not cleaned regularly. Any combination of these factors can cause operational shut-down due to excessive back pressure. When venting horizontally, simple standard installation methods should be used. Non-typical, overly complex installation will result in complex problems and should be avoided.

NOTE D: Heating Capacity - -The square-foot heating capacity is subject to the R-factor of the home and the layout. Single story dwellings are typically easier to heat than multiple story. All pellet stoves operate at approximately one pound of fuel per hour on LOW. The LOW setting is used as a pilot and will sustain a room's temperature for an extended period. However, the BTU's produced are not sufficient to generally heat a home. The MEDIUM and / or HIGH settings are required to raise the temperature of the space being heated. Pellet stoves operate primarily as convection heaters and consumers who are used to radiant type wood heater may feel colder at the same room temperature. Your PARAGON is capable of heating a well-insulated, single story home of up to 1800 square feet.

NOTE E: BATTERY BACK-UP:

1. Battery Type:

- a. Sealed gel cell batteries are the ONLY type battery approved for INDOOR use by Underwriters Laboratories and are specifically recommended.
- b. Automotive or marine type sealed batteries may be used when located outside the structure being heated.

2. Battery Hook-up:

- a. We strongly recommend the use of our 54DCK for this purpose. Otherwise, you must have an 18-gauge stranded wire or larger (and polarized) for connecting the stove to the back-up battery. Also, a 4 amp in-line fast-blow fuse should be used on the positive lead connecting the battery to the stove.

3. Battery Charger:

The charging system on a control board works on a continuous 120-milli-amp trickle charge, and is used to maintain the battery at full capacity, or to return the battery to full capacity after usage. The charger will continue charging when the stove is in use, or when NOT in use as long as AC power is available.

1. Before drilling or cutting holes, select the location of the stove.
2. Determine where the ceiling rafters, wall studs or floor joists are located before making any large holes, as the stove may have to be moved.
3. Be careful not to drill or cut into any water lines or electrical wiring as water damage or electrical fire may result.
4. Upon determining the best location for your new stove, maintaining at least the minimum

54 DAAK INSTALLATION INSTRUCTIONS

(PARAGON 5440 Direct Air Access Option)

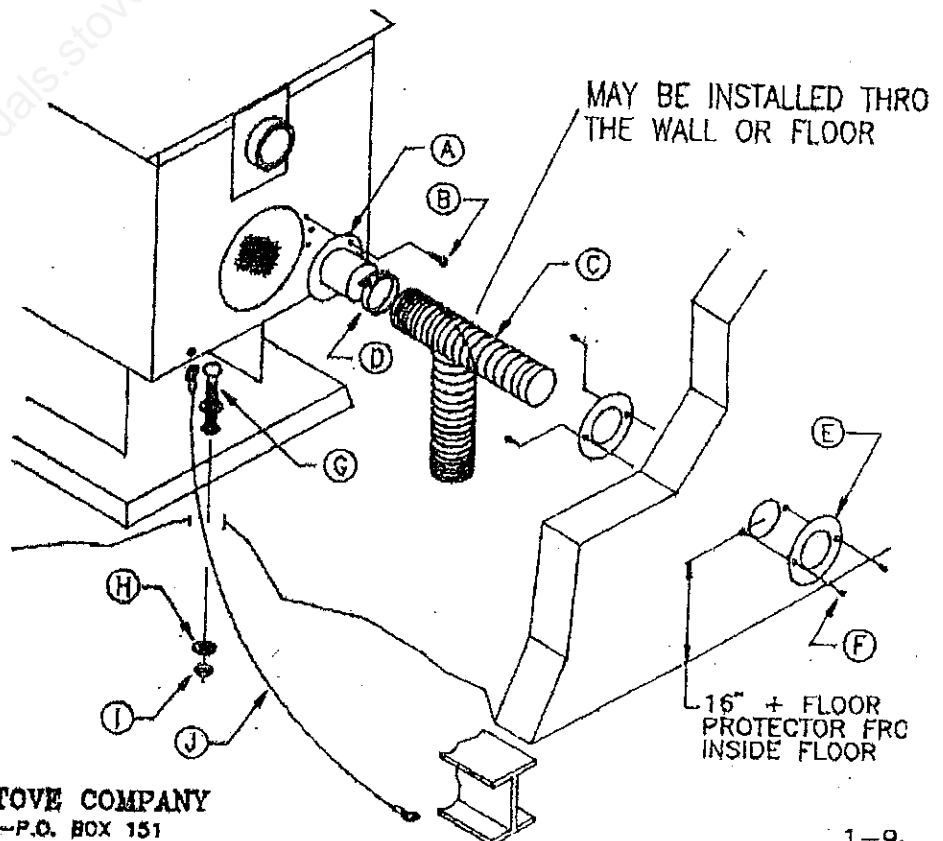
The PARAGON 5440 Direct Air Access Kit can be installed, either through the wall or floor. However, it must exit into a well ventilated area and not into another room. Check for electrical wiring, plumbing or other obstructions before drilling or cutting into the wall or floor.

DO NOT alter the structural integrity of the wall or floor.

Consult the PARAGON 5440 owners manual for more information.

1. Attach the mounting flange to the PARAGON using three sheet metal screws.
 2. Connect metal hose to flange using the enclosed hose clamp.
 3. Determine location of hole through which the metal hose will exit the room. Cut a hole 2-1/4" diameter in the wall or floor.
 4. Place one wall flange on the metal hose and insert hose into exit hole.
 5. Once the end of the hose has exited the wall or floor, place the other wall flange on the metal hose and secure both using the wood screws provided and trim off any excess.
- IF INSTALLING INTO MOBILE HOME, CONTINUE:
6. Drill a 5/16" hole in the floor under the pedestal base. Use the hole in the base to mark the location to drill.
 7. Insert the carriage bolt into the hole with one washer. Attach the other washer and nut to the carriage bolt from underneath the floor.
 8. Loosen one screw on the back of the PARAGON and attach one end of the ground wire to it. Re-tighten screw.
 9. Attach the other end of the ground wire to the steel chassis of the mobile home.

KEY	PART NO.	DESCRIPTION	QTY.
A	68737	MOUNTING FLANGE ASSY.	1
B	83172	#10 X 1/2 SCREW	3
C	86499	FLEXIBLE METAL HOSE	1
D	83879	2" HOSE CLAMP	1
E	86497	WALL FLANGE	2
F	83439	#8 X 1/2 WOOD SCREW	4
G	83359	1/4-20 X 4 BOLT	1
H	83045	1/4 FLATWASHER	2
I	83250	1/4 KEP NUT	1
J	80322	GROUND WIRE ASSY.	1
*	85047	INSTRUCTION SHEET	1



UNITED STATES STOVE COMPANY
111 INDUSTRIAL DRIVE--P.O. BOX 151
SOUTH PITTSBURG, TN 37380--(615)837-2100

