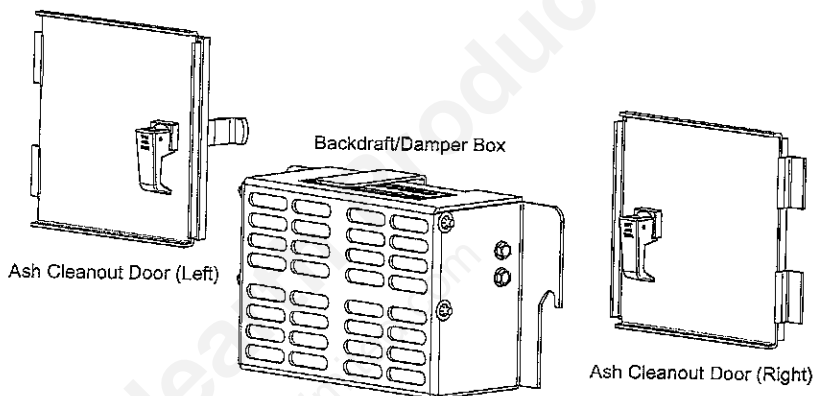
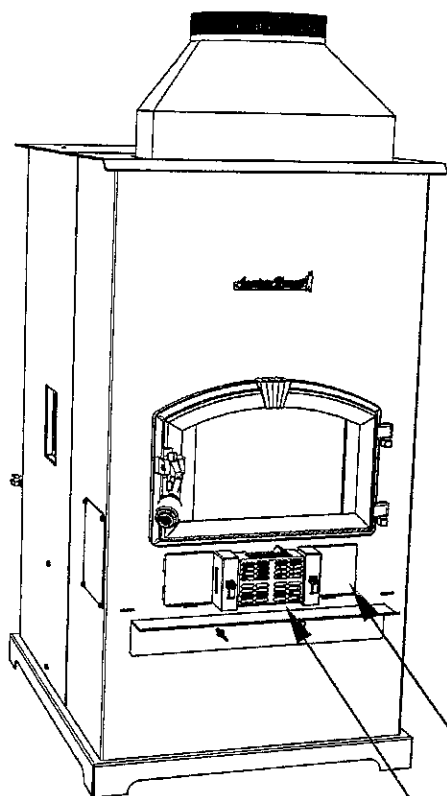


61FFK

Instructions

This replacement kit was designed to aid in easier cleaning of your furnace during operation. Follow these instructions for installation.

Remove the contents from the package to be sure there is no damage due to shipping. You should have the



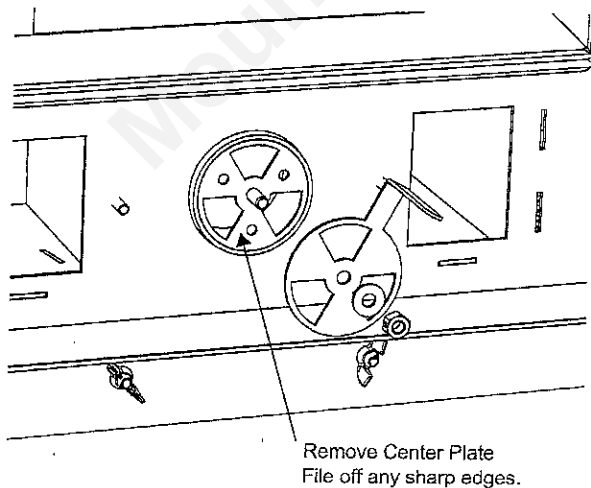
Remove the two existing Ash Cleanout Doors on each side of the Backdraft Box under the Feed Door.

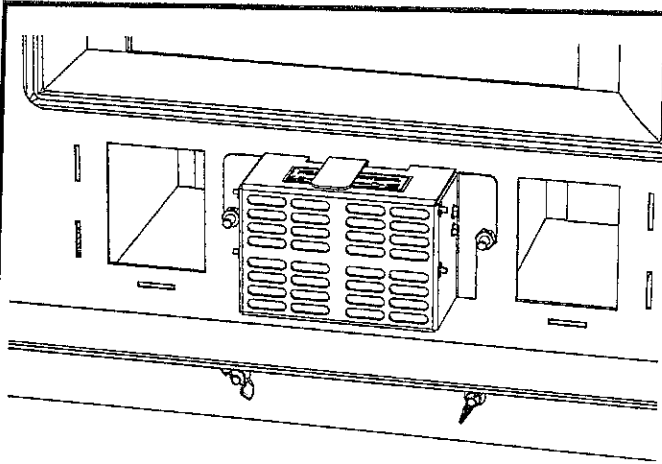
Then remove the Backdraft Box from the furnace by removing the two nuts holding it in place.

- Remove the nut and washer holding the damper in place and then the wave washer behind the damper.

NOTICE: USE SAFETY GLASSES FOR THE FOLLOWING STEP.

- The plate in the center of the intake tube is welded in place and will need to be removed. However, with a pair of pliers (Vise Grips), the piece can be removed by prying and breaking loose the weld. (Note: Other means such as a Dremel with a cutting wheel or a Mini-Hack Saw may also be used.)

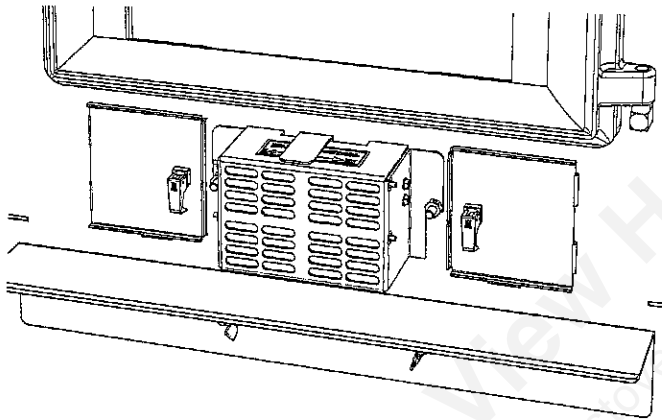




- Mount the new Backdraft/Damper Box to the front of the furnace utilizing the same studs as before.

- Using the two lock nuts provided in kit, lightly tighten them so that it will allow the easy removal of the new backdraft box.

- After installation of Backdraft/Damper Box, make sure that the Slide Damper will easily move left and right.



- Install the two(2) new Ash Cleanout Doors just as you removed them before.

- Some adjustment to the latch assembly may be needed to create a better seal.